


3D VIEW
SCALE: 1" = 1'-0"

	CLIENT:	BLACK SKULL	REVISION #:	
	BOOTH #:		REVISED BY:	
	BOOTH SIZE	10 x 20	REVISION DATE:	
	DATE:	2-22-15	DRAWN BY:	JDC
			SHOW/ FIXTURE	
			REVISION #:	
			REVISED BY:	
			REVISION DATE:	
TIME Design ◀ Inc. Eli Haas 516. 432. 8332 timedesign@aol.com Exhibits • Management • Environments • Design • Consulting Time Design Inc. 330 Blackheath Rd. Lido Beach, NY 11581 Mobile: 516. 297. 6516 Fax: 516. 432. 8332				

10' BOOTH SPACE

9'-10¹/₂"

5'-8"

3'-11¹/₂"

3"

20' BOOTH SPACE

5'-5¹/₄"

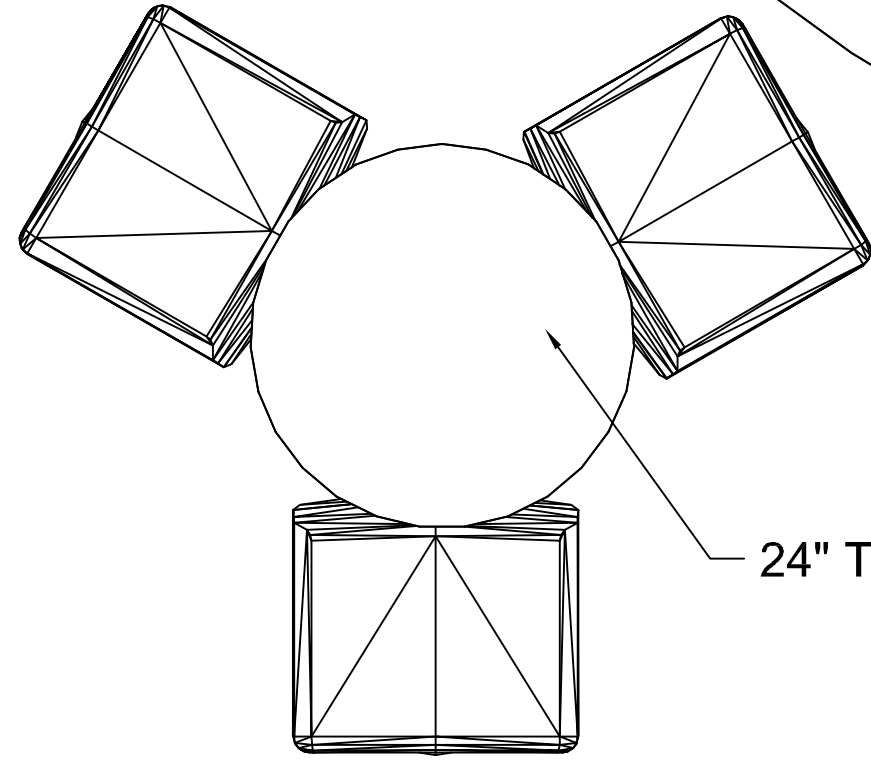
19'-10⁵/₈"

9'-0¹/₂"

5'-4⁷/₈"

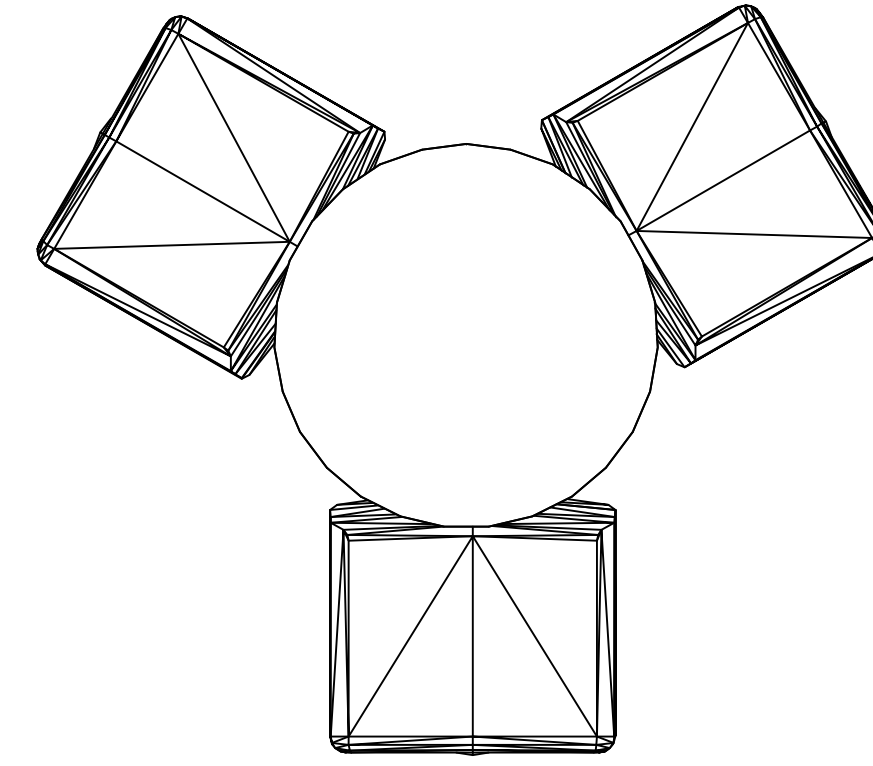
3"

STORAGE



24" TABLE W/ (3) STOOLS

PEDESTAL



11" TRIANGULAR TRUSS

CORNER POST

OVERHEAD TRUSS

FLOOR PLAN

SCALE: 1" = 1'-0"

CLIENT:
BLACK SKULL
BOOTH #:

BOOTH SIZE
10 x 20

SHOW/ FIXTURE

DRAWN BY:
JDC

DATE:
2-22-15

REVISION #:

REVISED BY:

REVISION DATE:

TIME Design ◀ Inc.

Eli Haas
516. 432. 8332
timedesign@aol.com
Exhibits • Management • Environments • Design • Consulting
Time Design Inc.
330 Blackheath Rd. Lido Beach, NY 11581
► Mobile: 516. 297. 6516 ► Fax: 516. 432. 8332



GRAPHIC MURAL

BOLT TO FACE OF PANEL
11" TRIANGULAR TRUSS

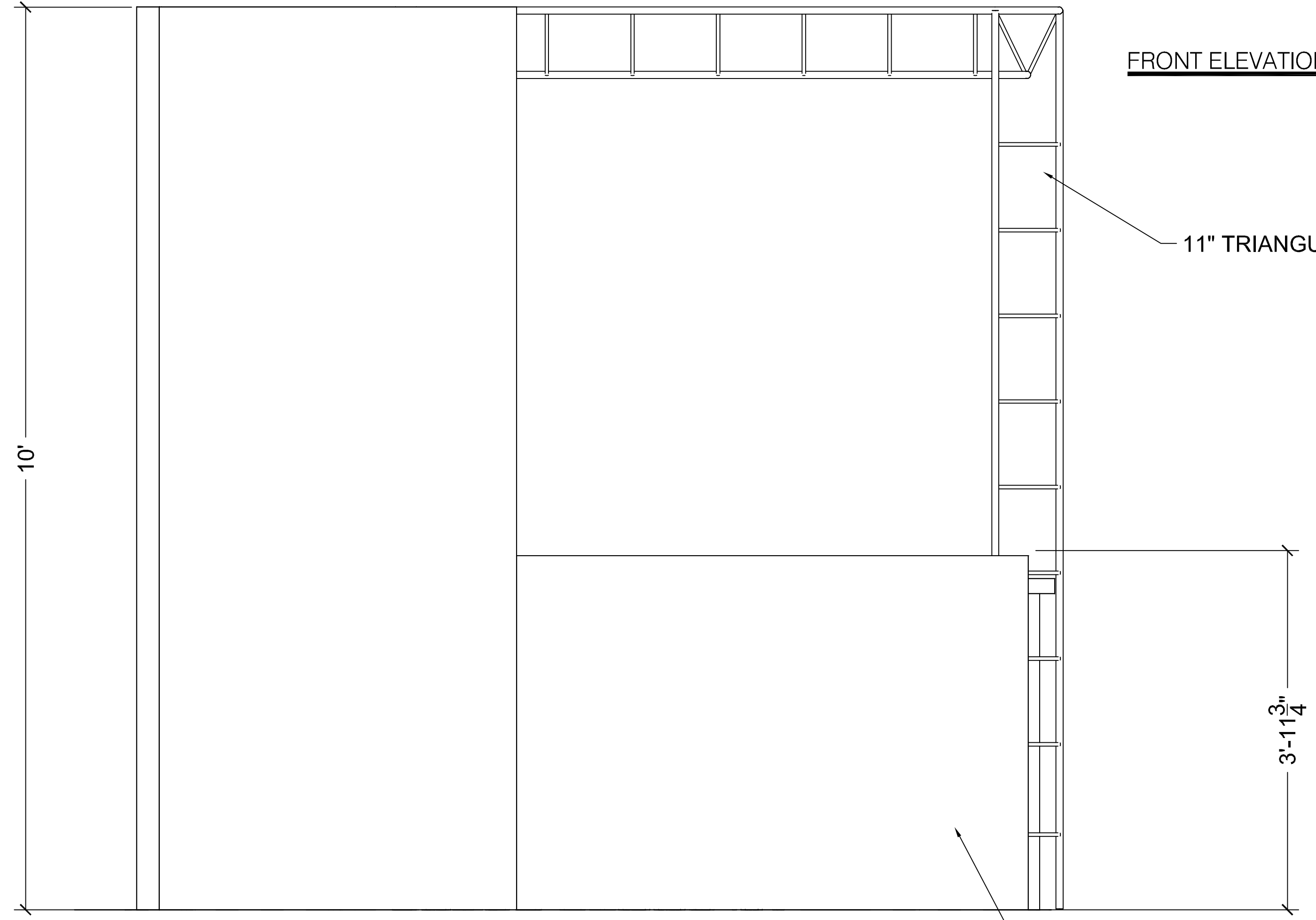
PEDESTAL

24" TABLE W/ (3) STOOLS

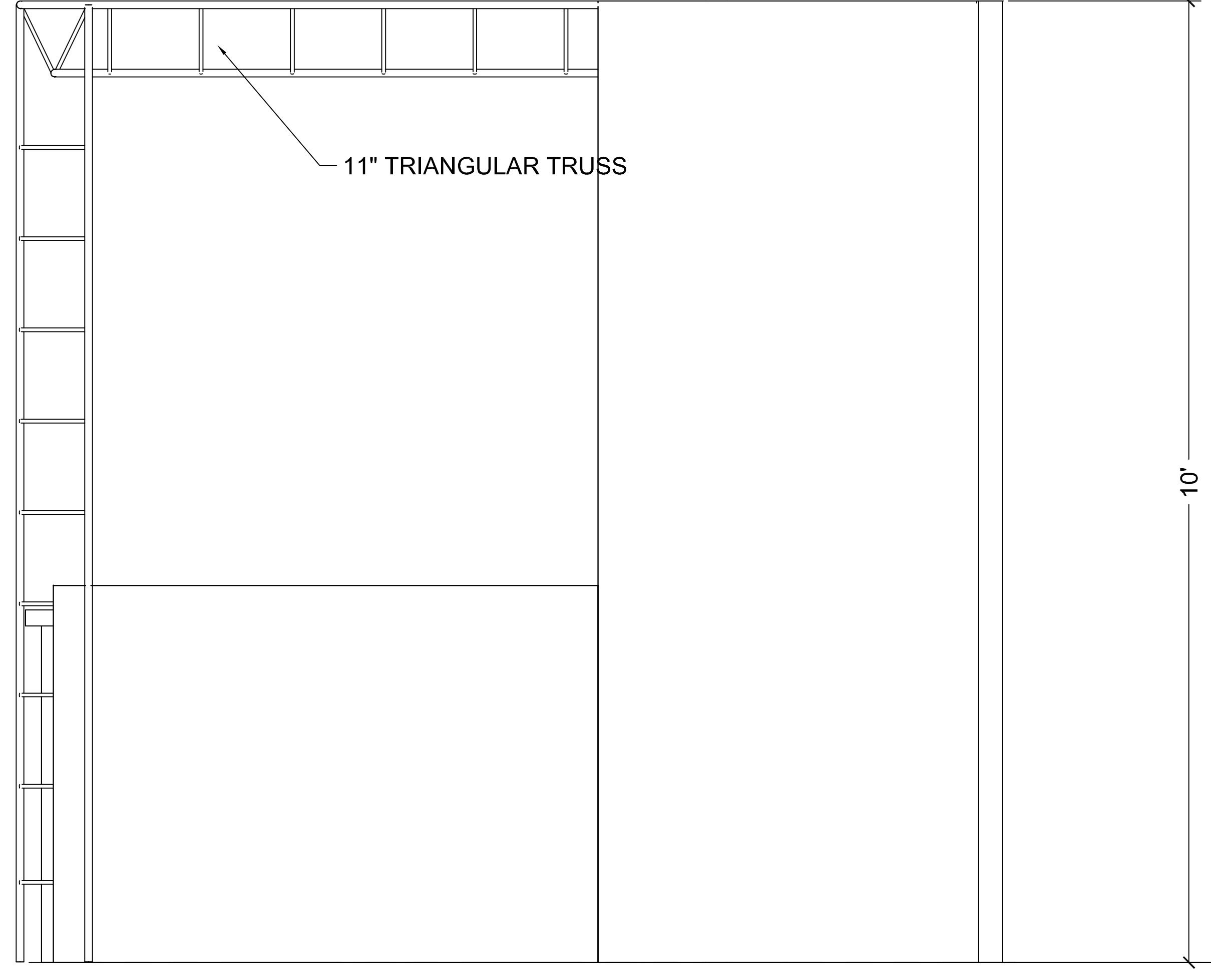
FRONT ELEVATION
SCALE: 1" = 1'-0"

11" TRIANGULAR TRUSS

11" TRIANGULAR TRUSS



LEFT SIDE ELEVATION
SCALE: 1" = 1'-0"



RIGHT SIDE ELEVATION
SCALE: 1" = 1'-0"

CLIENT:
BLACK SKULL
BOOTH #:
10 x 20

SHOW/ FIXTURE
DRAWN BY:
JDC
DATE:
2-22-15

REVISION #:
REVISION DATE:

REVISOR:
REVISED BY:

TIME Design ◀ Inc.
Eli Haas
516.432.8332
timedesign@aol.com
Exhibits • Management • Environments • Design • Consulting
Time Design Inc.
330 Blackheath Rd. Lido Beach, NY 11581
▶ Mobile: 516.297.6516 ▶ Fax: 516.432.8332



10' BOOTH SPACE

5'-8" NEW KNEE WALL PANEL

3'-11 $\frac{1}{2}$ " NEW PANEL

3"

20' BOOTH SPACE

19'-10 $\frac{3}{4}$ "

3'-11 $\frac{3}{4}$ "

3'-11 $\frac{3}{4}$ "

3'-11 $\frac{3}{4}$ "

3'-11 $\frac{3}{4}$ "

3'-11 $\frac{3}{4}$ "

STORAGE

5'-8" NEW KNEE WALL PANEL

3'-11 $\frac{1}{2}$ " NEW PANEL

3"

9'-10 $\frac{1}{2}$ "

PANEL BREAKDOWN

SCALE: 1" = 1'-0"



CLIENT:
BLACK SKULL

BOOTH #:

BOOTH SIZE
10 x 20

SHOW/ FIXTURE

REVISION #:

DRAWN BY:
JDC

REVISED BY:

REVISION DATE:

DATE:
2-22-15

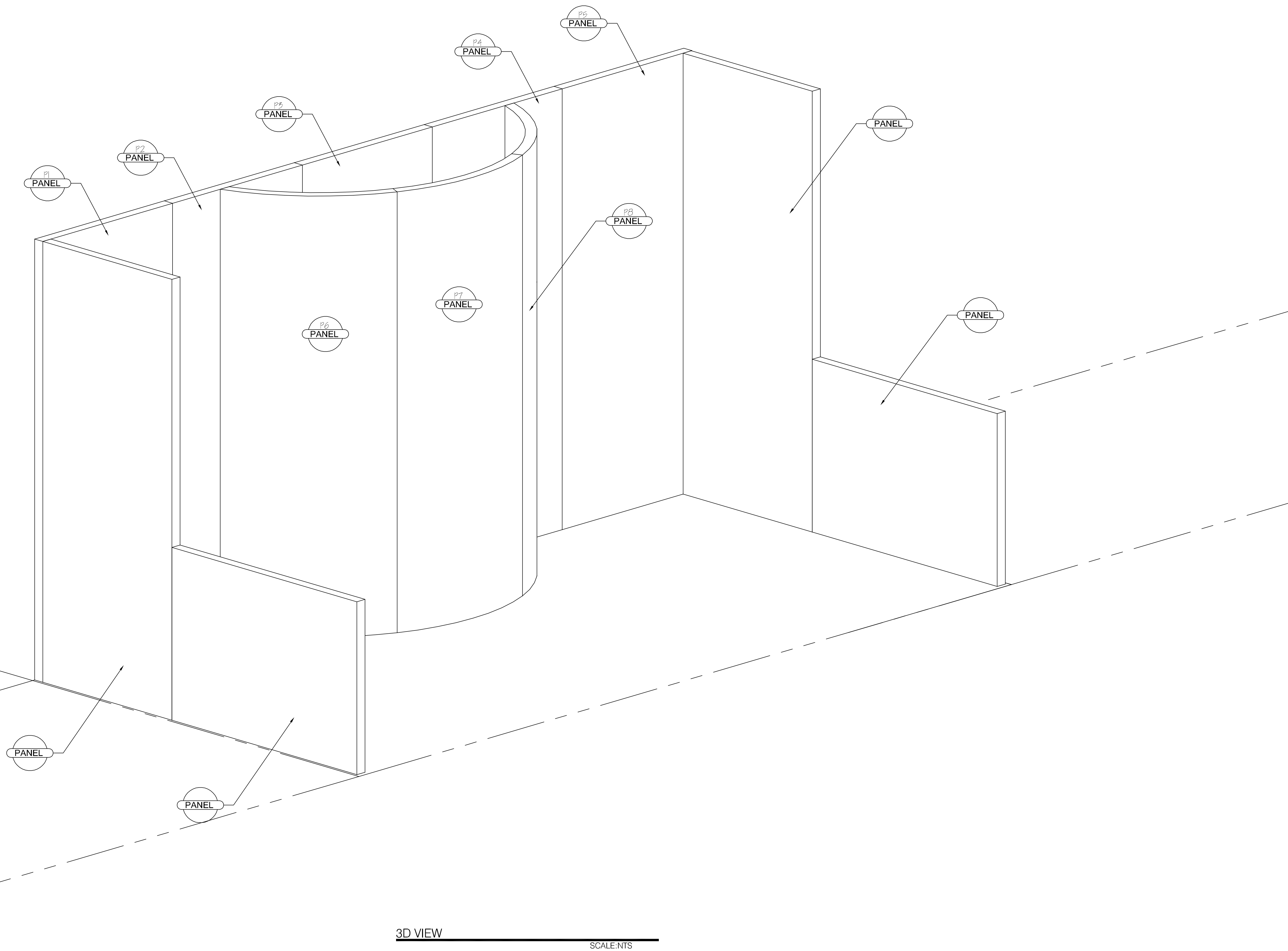
TIME Design ◀ Inc.

Eli Haas

516. 432. 8332

timedesign@aol.com

Exhibits • Management • Environments • Design • Consulting
Time Design Inc.
330 Blackheath Rd. Lido Beach, NY 11581
► Mobile: 516. 297. 6516 ► Fax: 516. 432. 8332



3D VIEW

SCALE: NTS



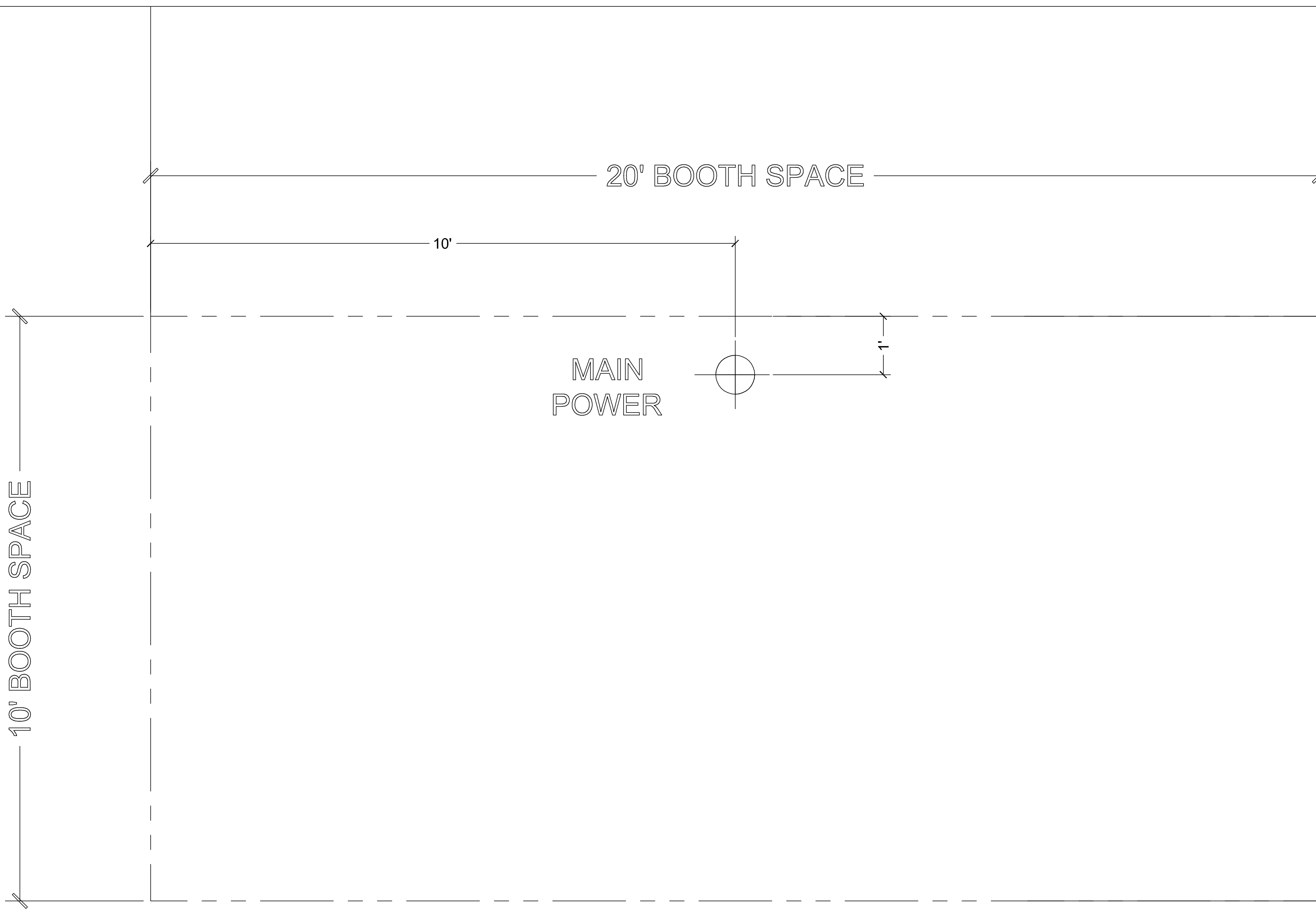
CLIENT:
BLACK SKULL
BOOTH #:
BOOTH SIZE
10 x 20

SHOW/ FIXTURE
DRAWN BY:
JDC
DATE:
2-22-15

REVISION #:
REVISED BY:
REVISION DATE:

TIME Design ◀ Inc.
Eli Haas
516. 432. 8332
timedesign@aol.com
Exhibits • Management • Environments • Design • Consulting
Time Design Inc.
330 Blackheath Rd. Lido Beach, NY 11581
► Mobile: 516. 297. 6516 ► Fax: 516. 432. 8332

10' BOOTH SPACE



MAIN
POWER

20' BOOTH SPACE

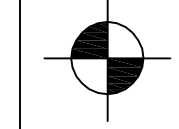
10'

1'

ELECTRICAL PLAN

SCALE: 1" = 1'-0"

KEY



MAIN POWER



CLIENT:
BLACK SKULL
BOOTH #:
10 x 20

SHOW/ FIXTURE

DRAWN BY:
JDC
DATE:
2-22-15

REVISION #:

REVISED BY:

REVISION DATE:

TIME Design ◀ Inc.

Elit Haas
516. 432. 8332
timedesignh@aol.com
Exhibits • Management • Environments • Design • Consulting
Time Design Inc.
330 Blackheath Rd. Lido Beach, NY 11581
► Mobile: 516. 297. 6516 ► Fax: 516. 432. 8332