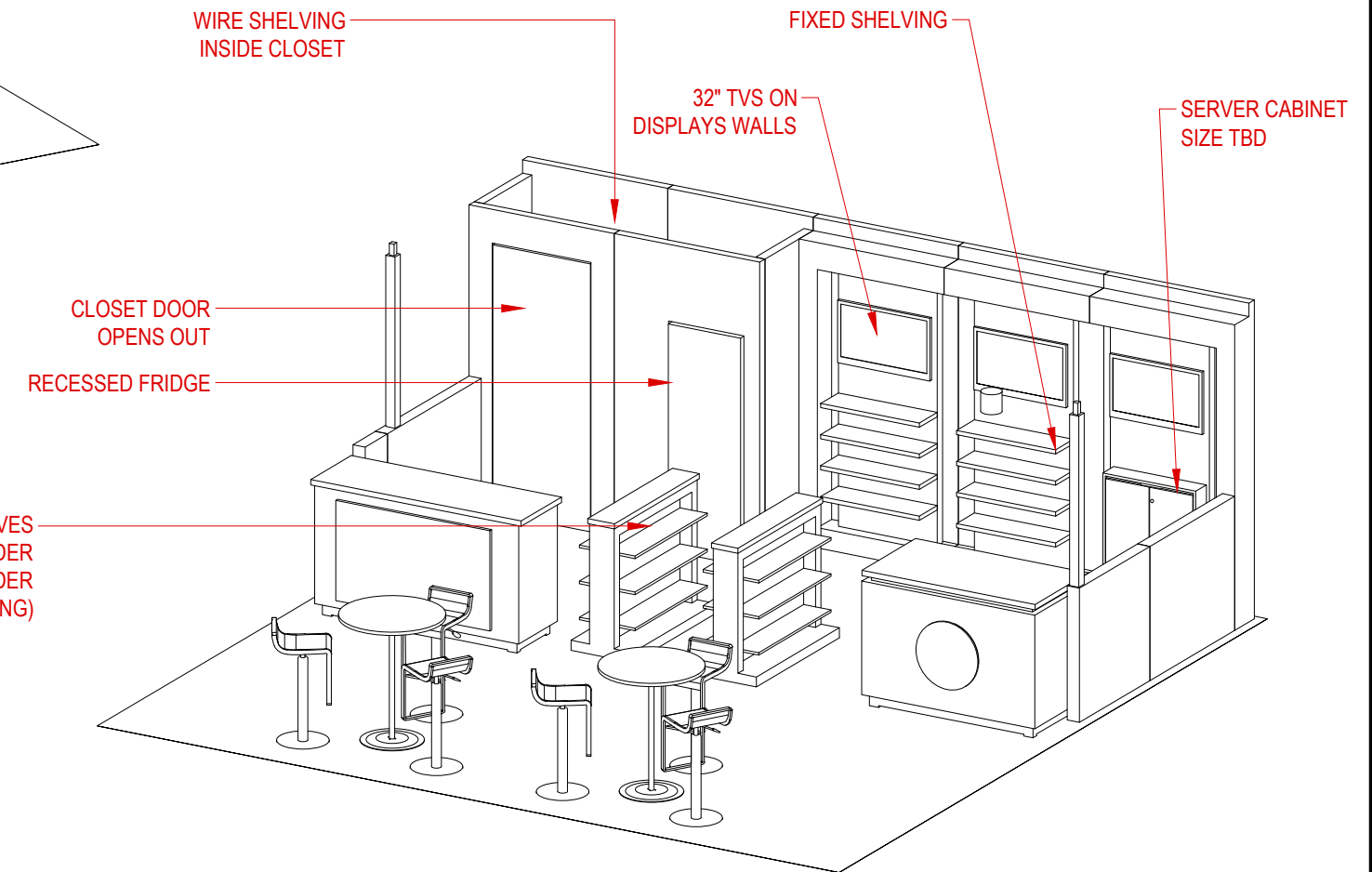
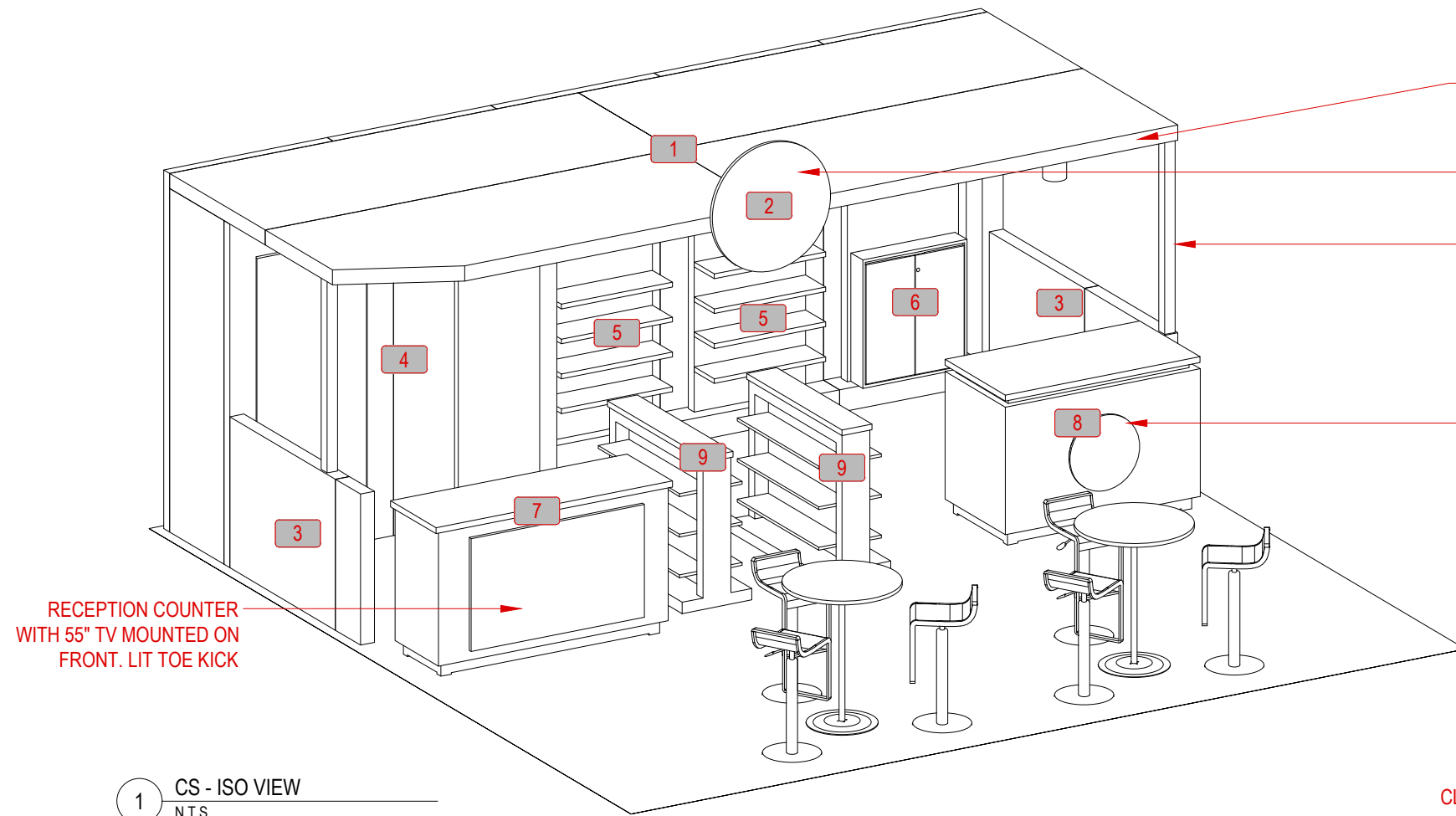
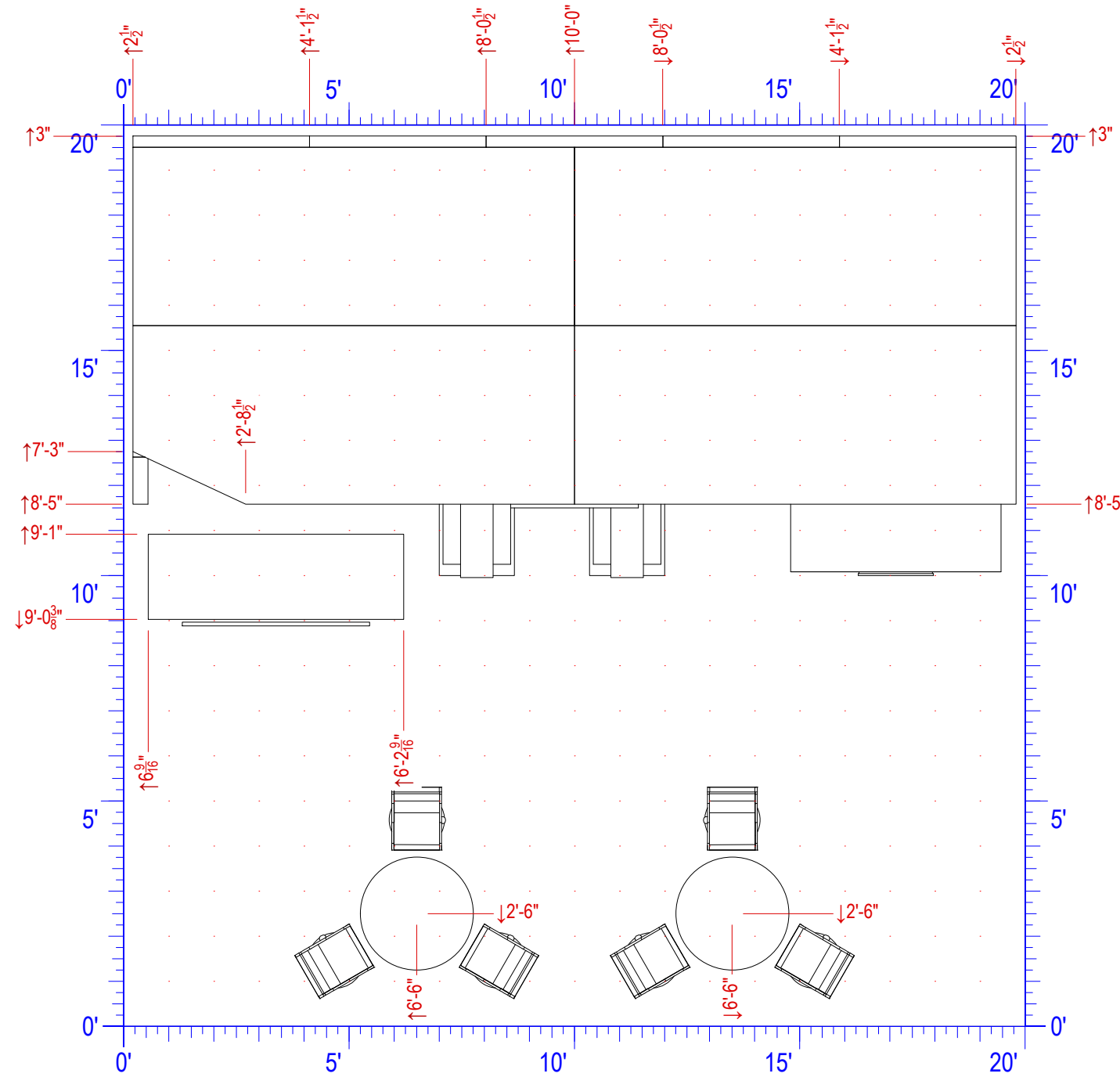


BOOTH LEDGER

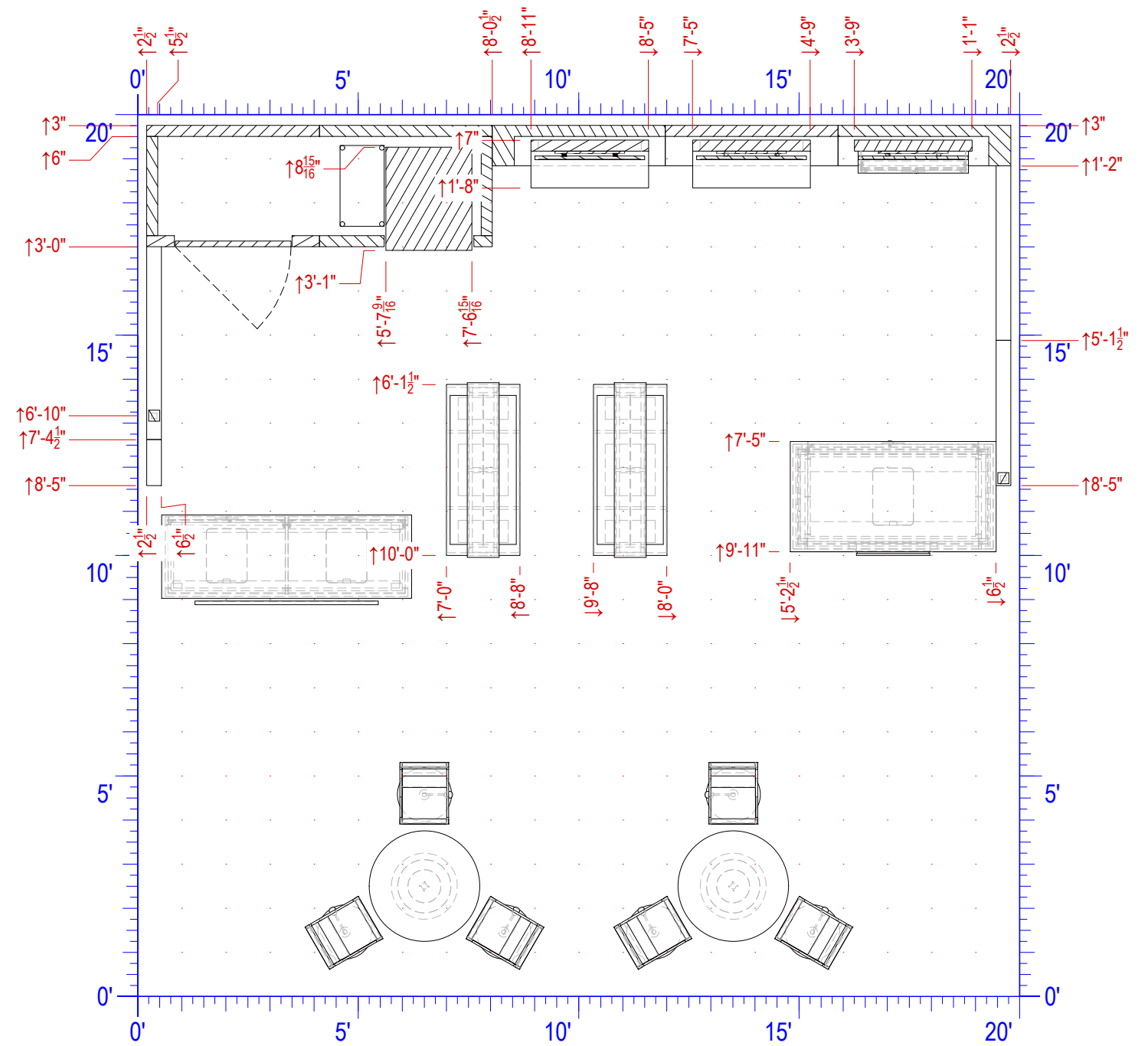
LABEL#	DESCRIPTION
1	CEILING
2	LOGO SIGN
3	WING WALL
4	CLOSET / BACK WALL
5	DISPLAY WALL
6	SERVER CABINET
7	RECEPTION
8	C54 COUNTER
9	FREE STANDING SHELF



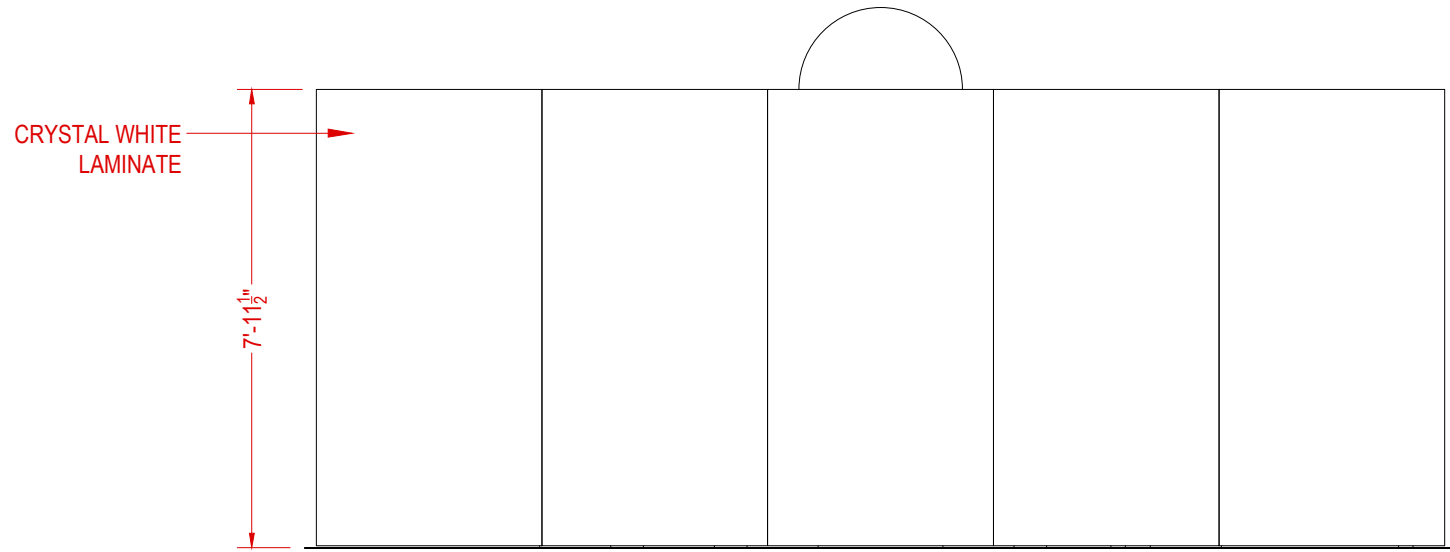
A A



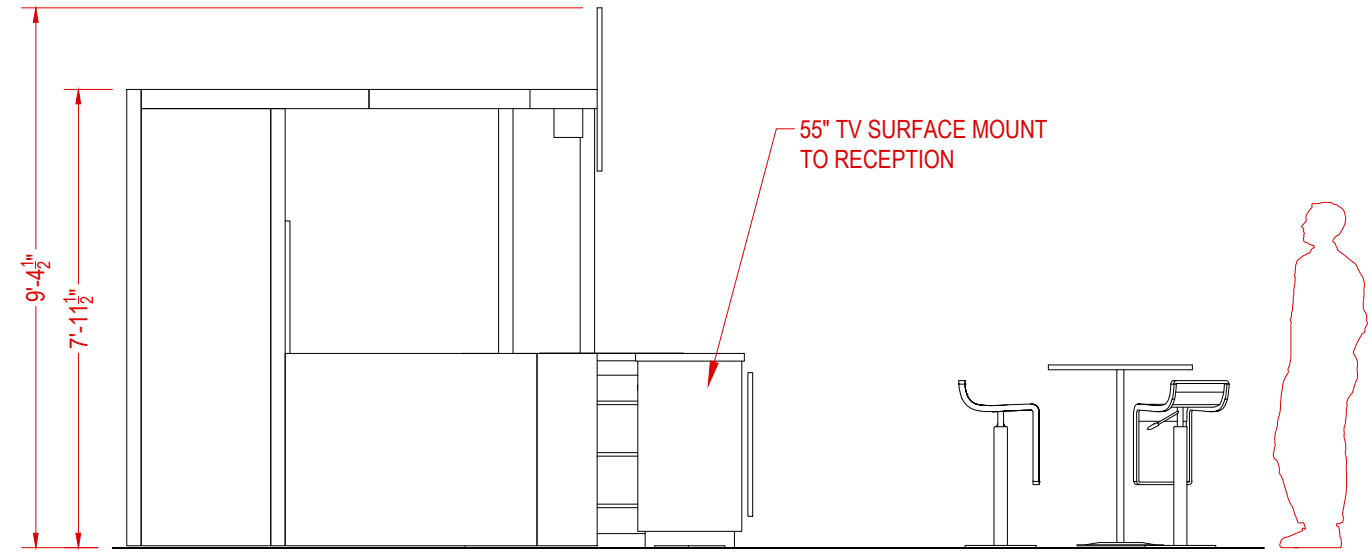
1 S.1 - PLAN VIEW
N.T.S.



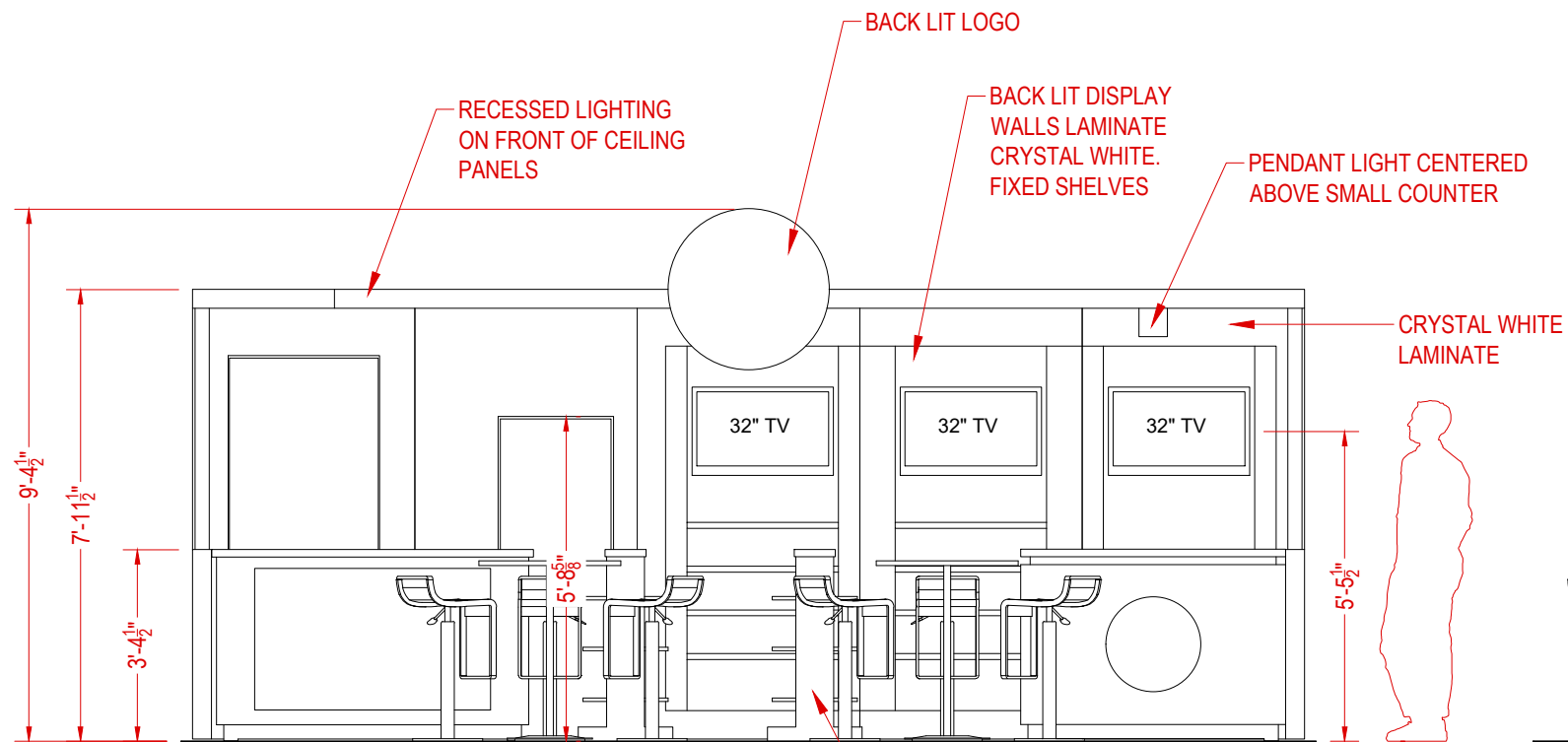
2 S.1 - SECTION VIEW
N.T.S.



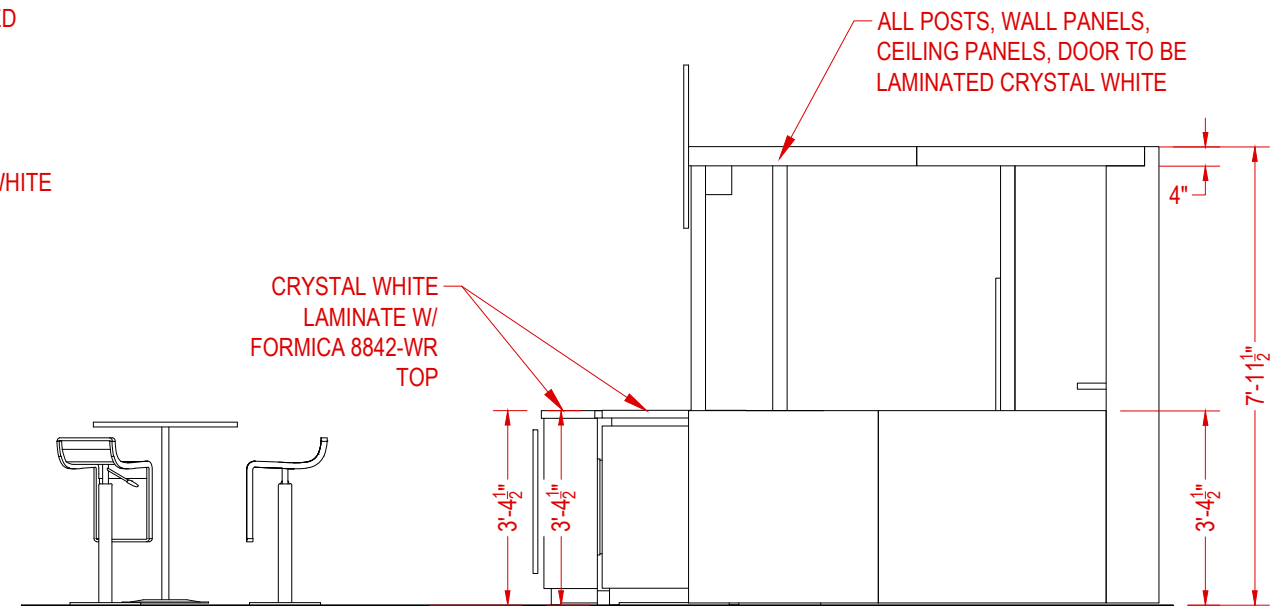
1 S.2 - BACK VIEW
N.T.S.



2 S.2 - LEFT VIEW
N.T.S.



3 S.2 - FRONT VIEW
N.T.S.



4 S.2 - RIGHT VIEW
N.T.S.

FREE STANDING SHELVES
TO HAVE 1/4" ICE PLEX
DIVIDERS. BASE PLATES
UNDER FLOORING.
FIXED SHELVES

CRYSTAL WHITE
LAMINATE

55" TV SURFACE MOUNT
TO RECEPTION

RECESSED LIGHTING
ON FRONT OF CEILING
PANELS

BACK LIT LOGO

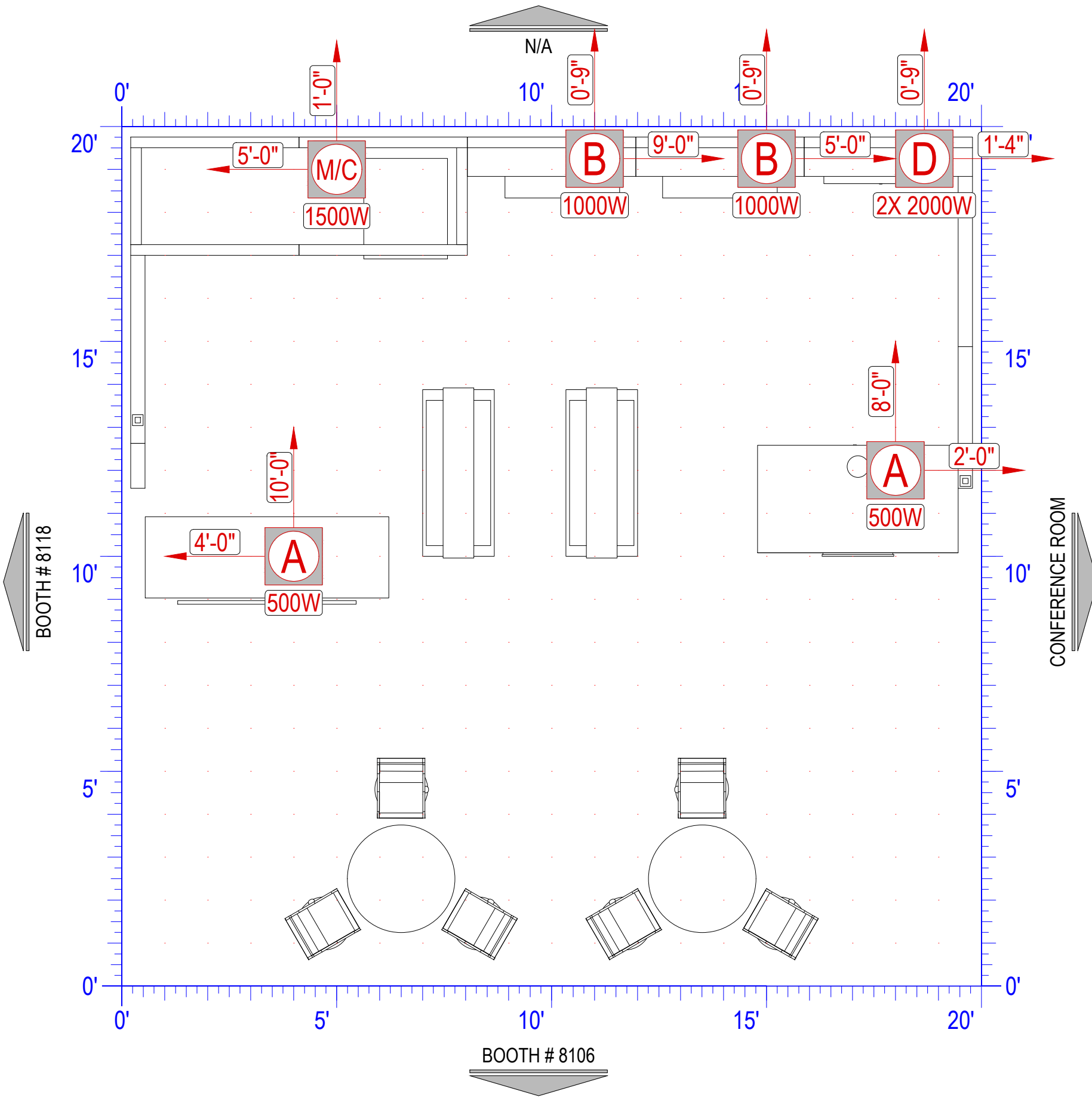
BACK LIT DISPLAY
WALLS LAMINATE
CRYSTAL WHITE.
FIXED SHELVES

PENDANT LIGHT CENTERED
ABOVE SMALL COUNTER

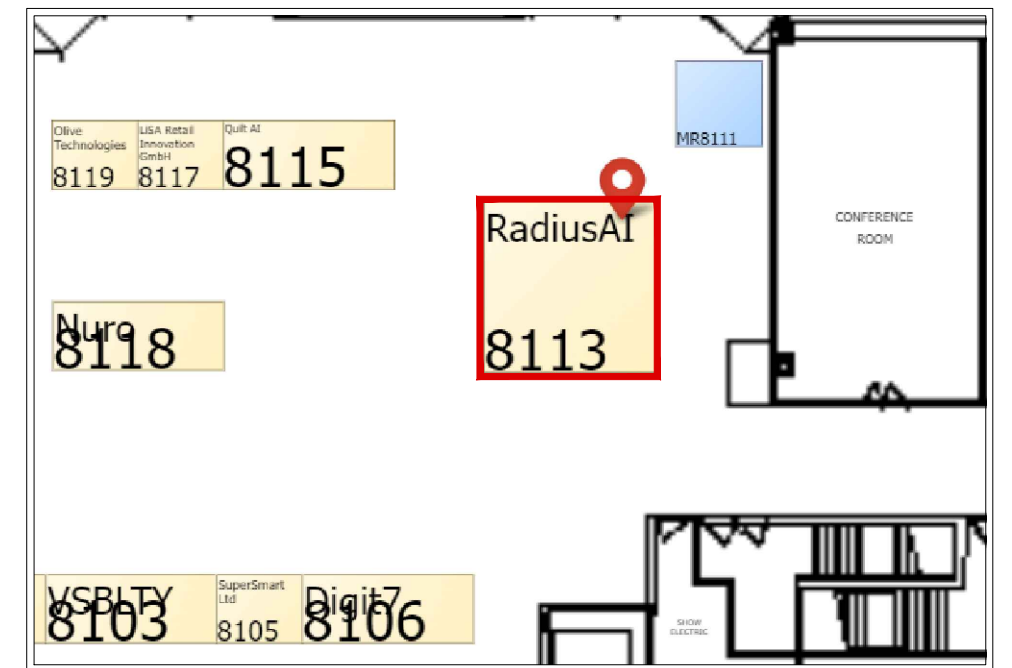
CRYSTAL WHITE
LAMINATE

ALL POSTS, WALL PANELS,
CEILING PANELS, DOOR TO BE
LAMINATED CRYSTAL WHITE

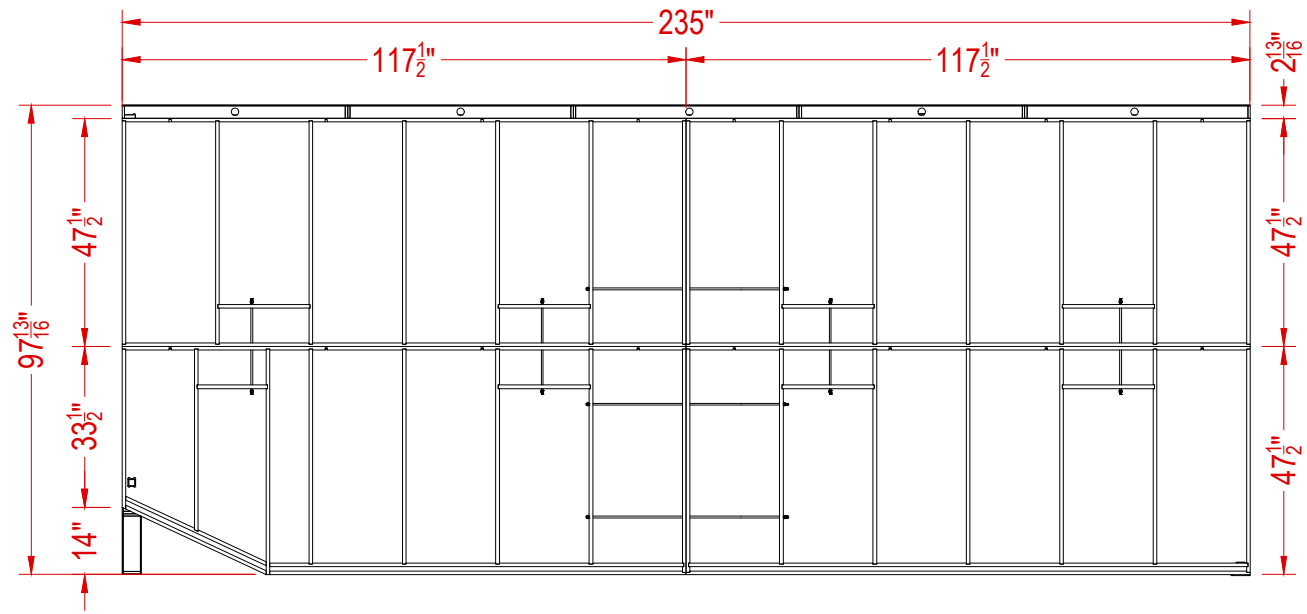
CRYSTAL WHITE
LAMINATE W/
FORMICA 8842-WR
TOP



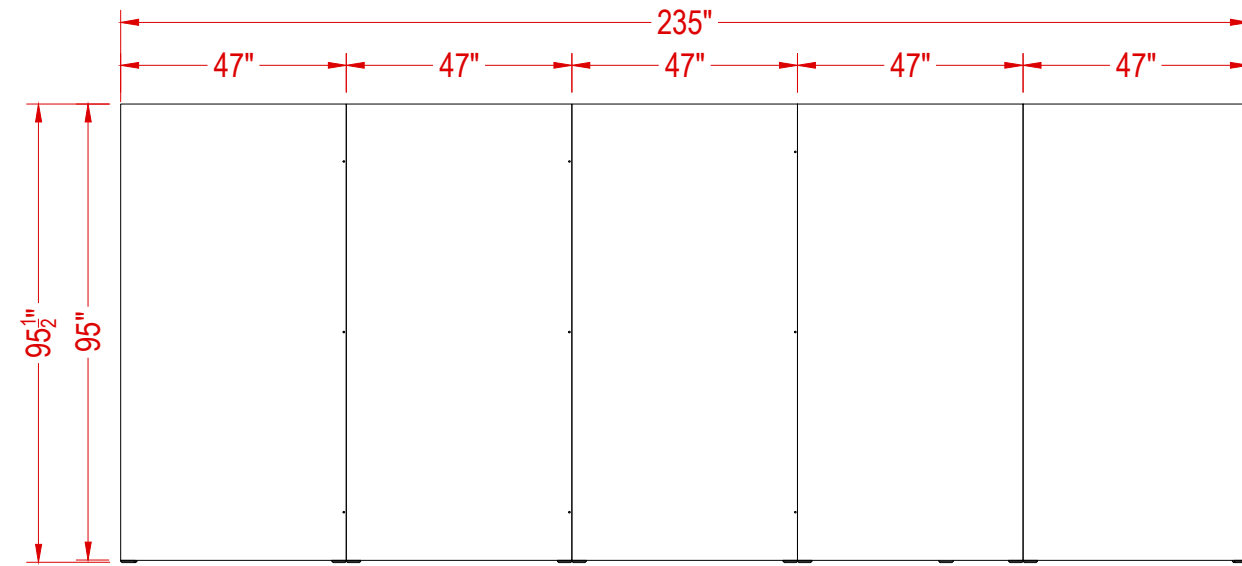
ELECTRICAL LEGEND		
SYMBOL	DESCRIPTION	QTY
A	500 WATTS	2
B	1000 WATTS	2
C	1500 WATTS	1
D	2000 WATTS	2
M	MAIN DROP	1



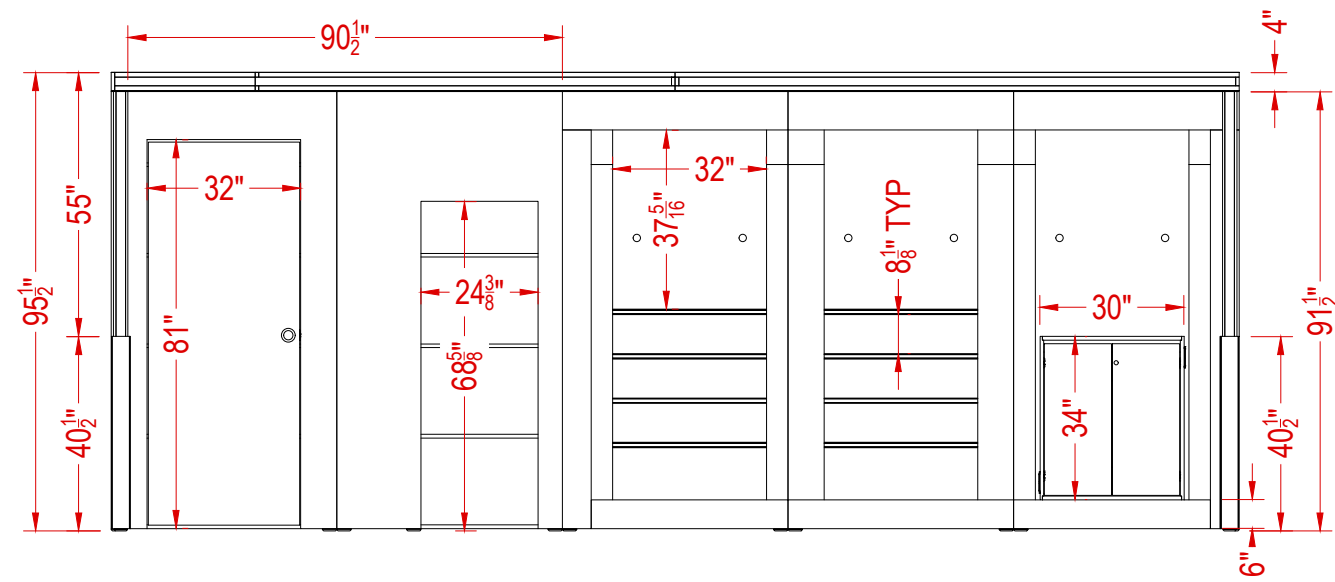
BOOTH MAP



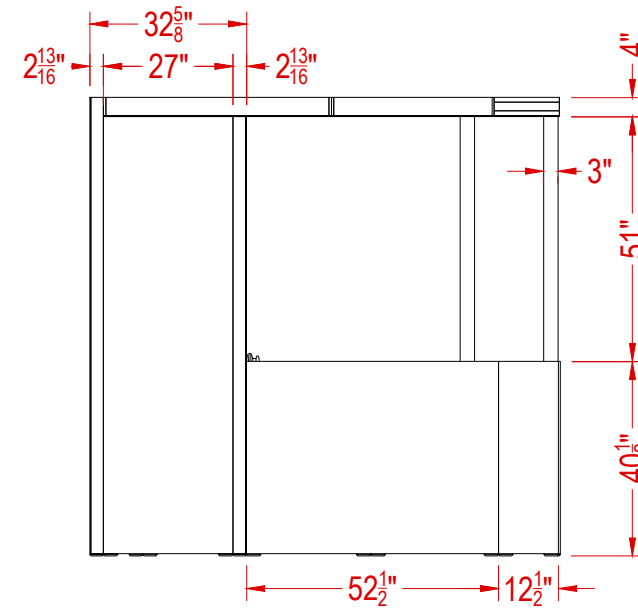
1 S.4 - PLAN VIEW
N.T.S.



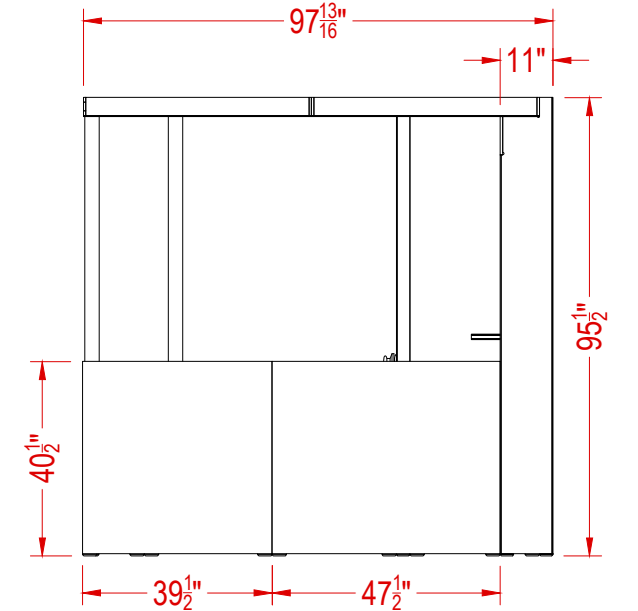
3 S.4 - REAR VIEW
N.T.S.



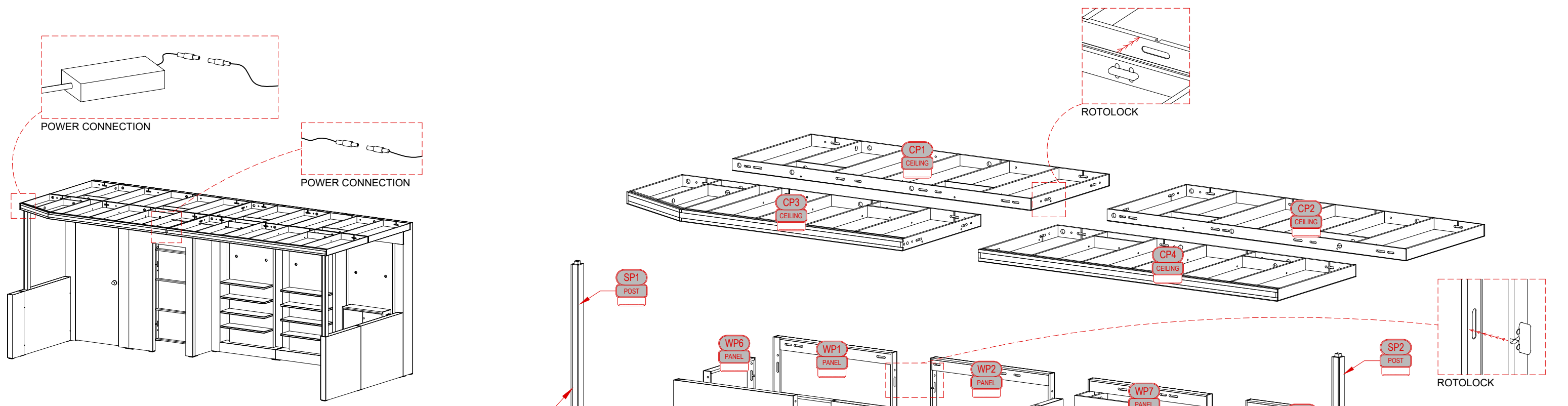
2 S.4 - FRONT VIEW
N.T.S.



4 S.4 - LEFT VIEW
N.T.S.

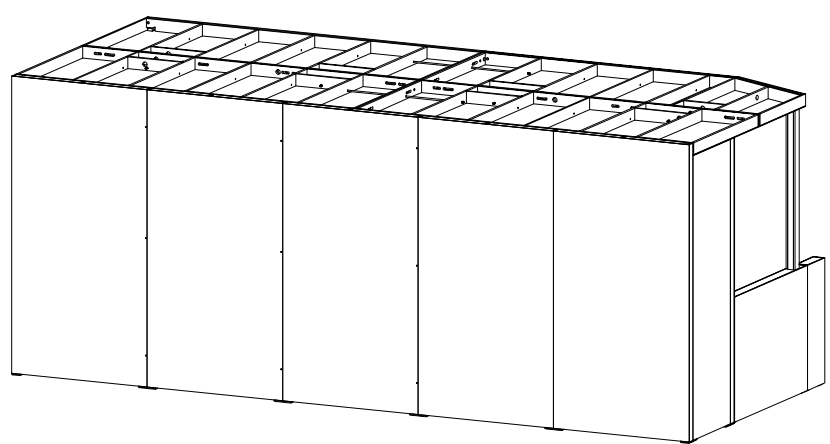


5 S.4 - RIGHT VIEW
N.T.S.

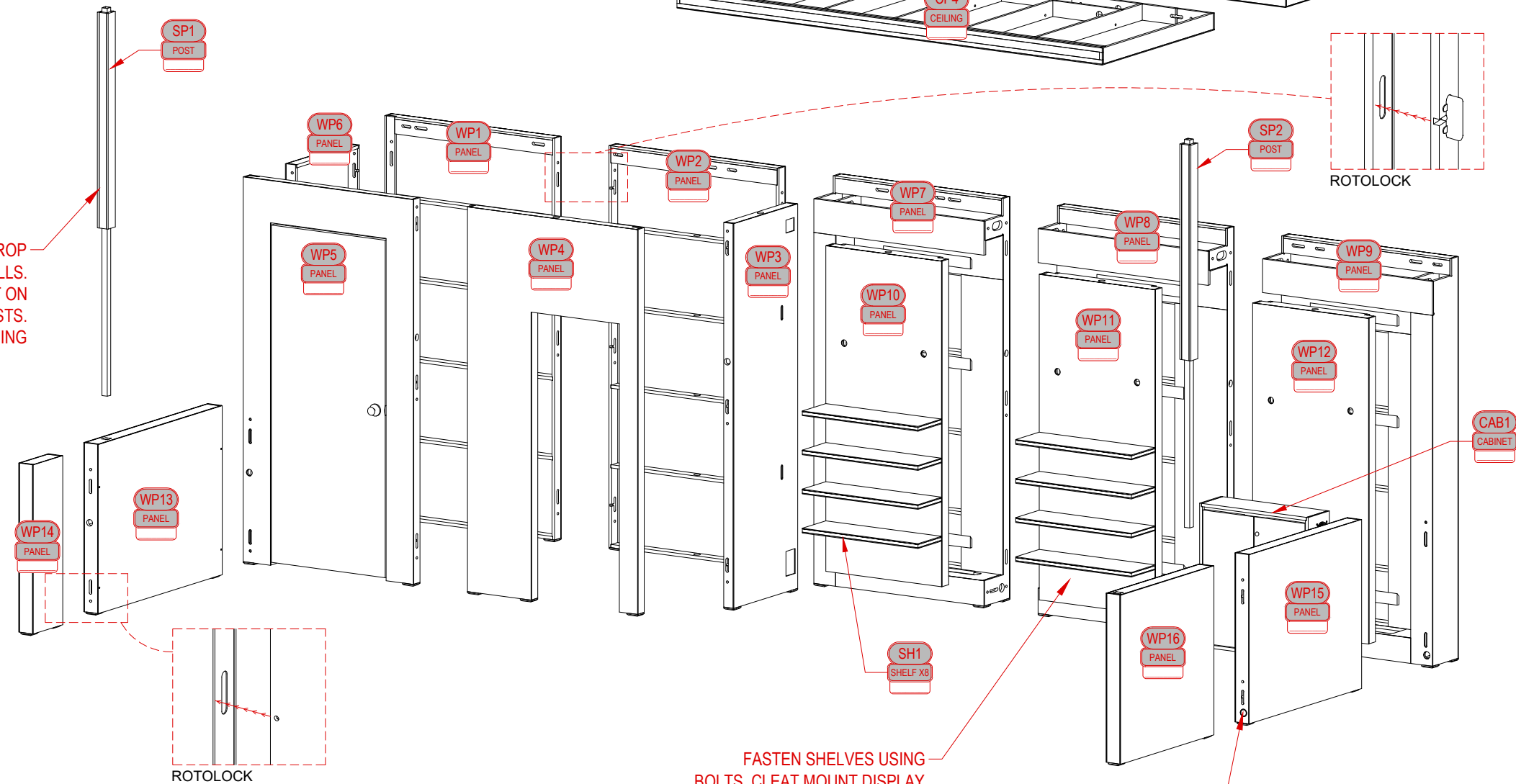


1 S.5 - ISO
N.T.S.

SUPPORT POSTS DROP INTO WING WALLS. CEILING PANELS REST ON SUPPORT POSTS. NO FASTENING



2 S.5 - REAR ISO
N.T.S.

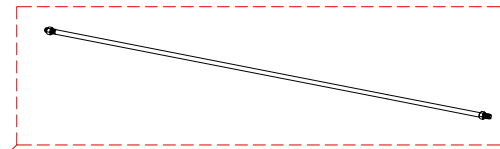


FASTEN SHELVES USING BOLTS. CLEAT MOUNT DISPLAY PANEL TO WALL PANEL AFTER ALL POWER CORDS ARE PLUGGED IN

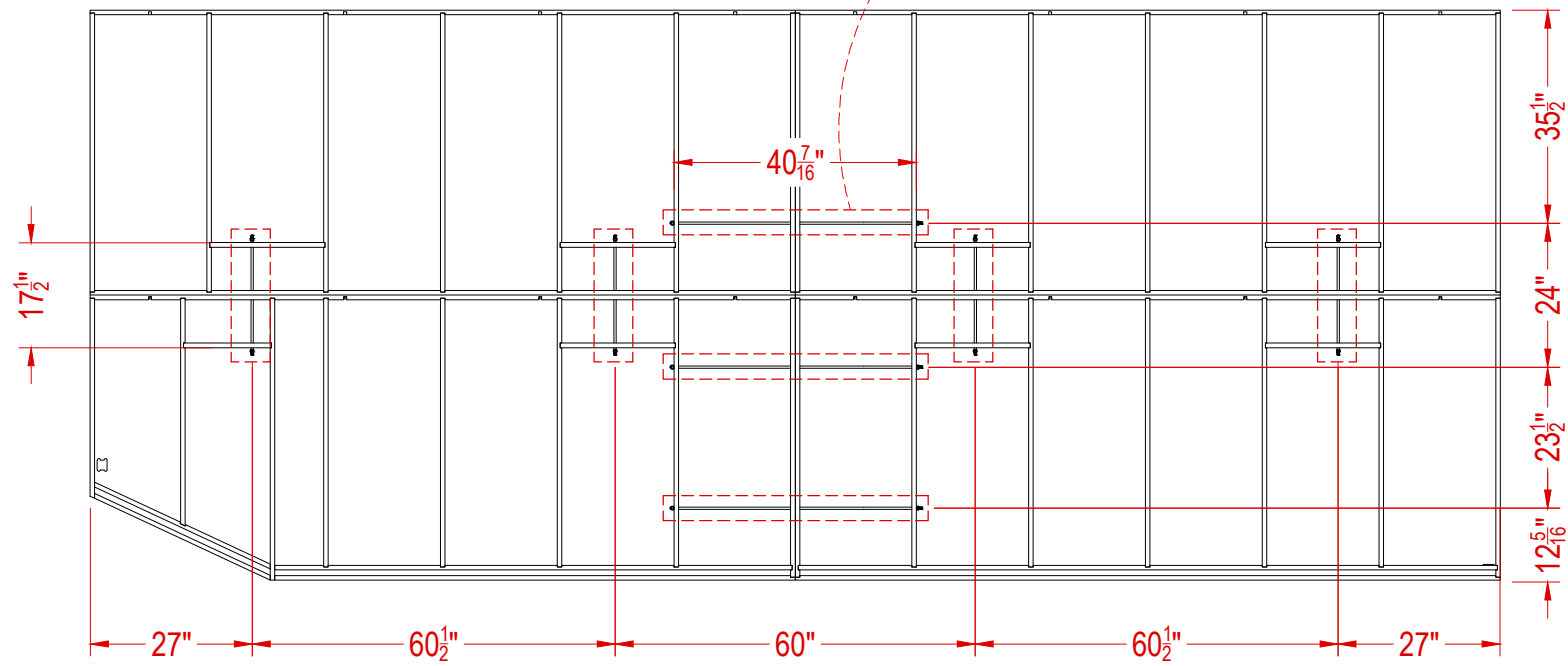
NETWORK CABLE RUNS THROUGH PVC IN WALL PANELS FROM 56" CABINET TO SERVER CABINET ON BACK WALL

3 S.5 - EXPLODED ISO
N.T.S.

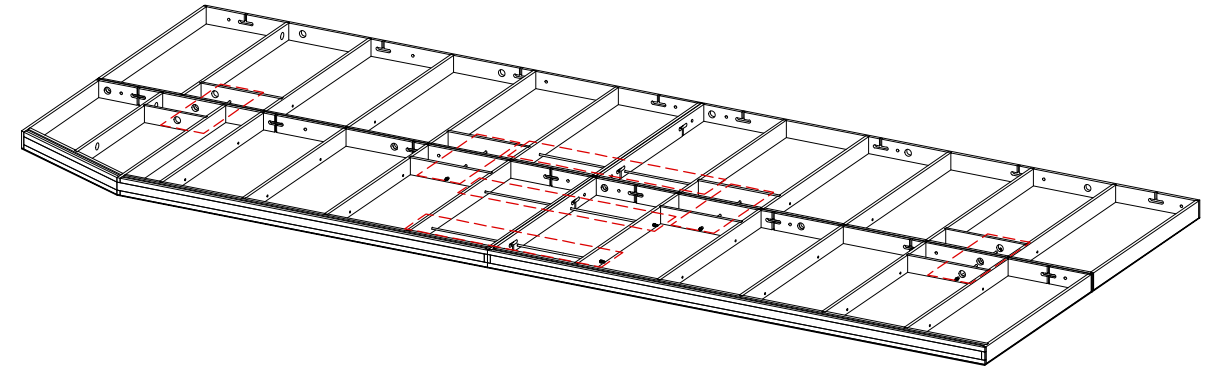
NOTE:
SOME ALL-THREAD PIECES
WILL NOT BE USED



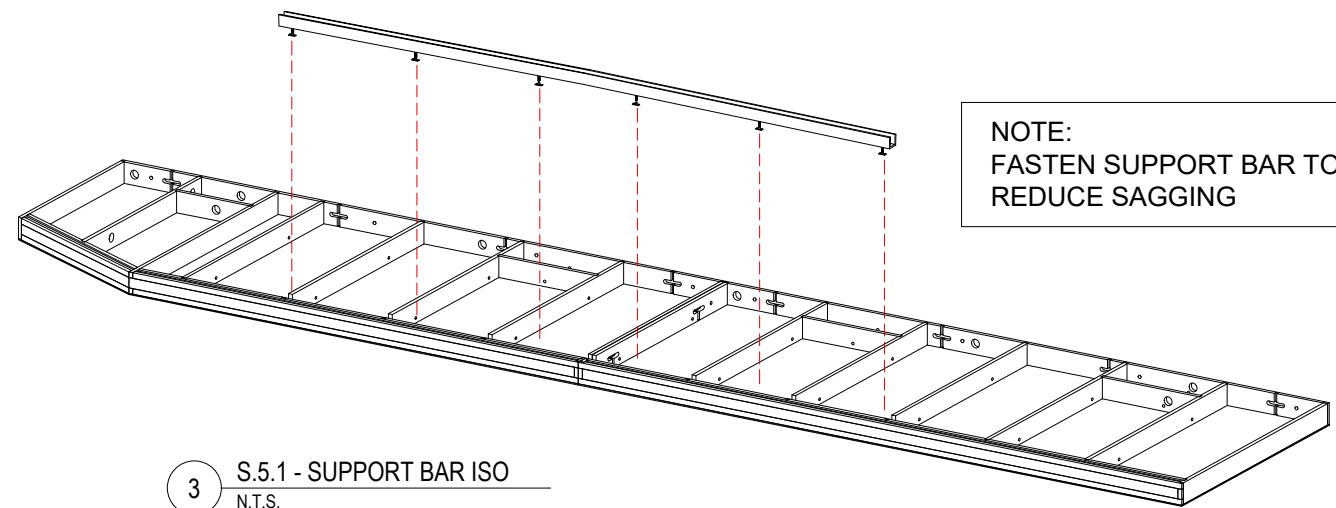
1/2" Ø ALL-THREAD TENSION RODS
(3) @ 43" (4) @ 20"



1 S.5.1 - TOP
N.T.S.

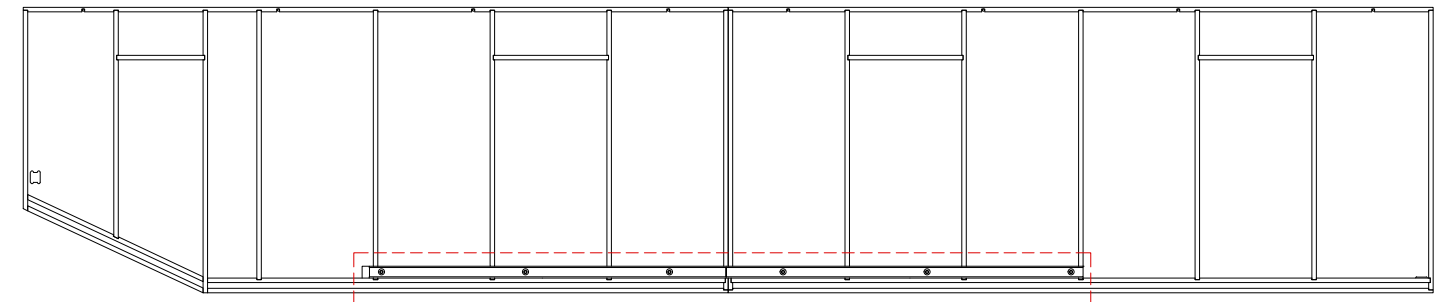


2 S.5.1 - ISO
N.T.S.



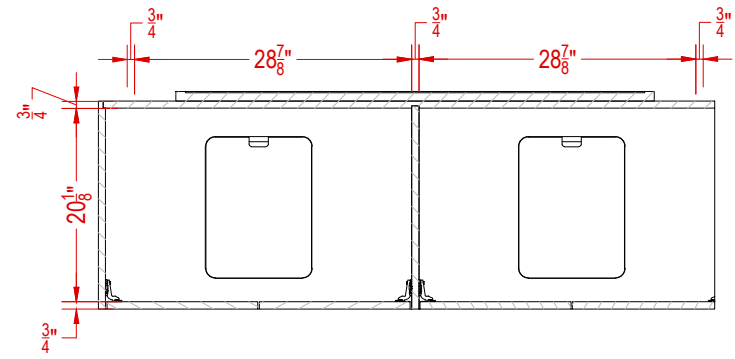
NOTE:
FASTEN SUPPORT BAR TO
REDUCE SAGGING

3 S.5.1 - SUPPORT BAR ISO
N.T.S.

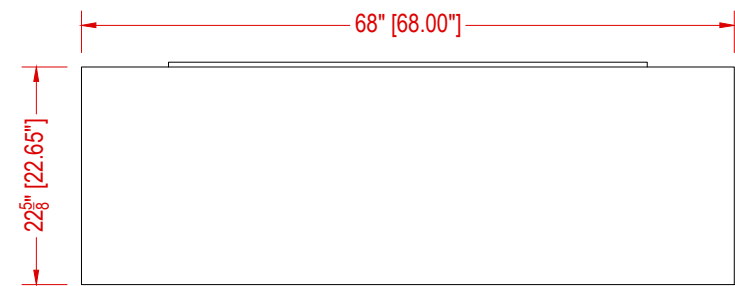


4 S.5.1 - SUPPORT BAR TOP VIEW
N.T.S.

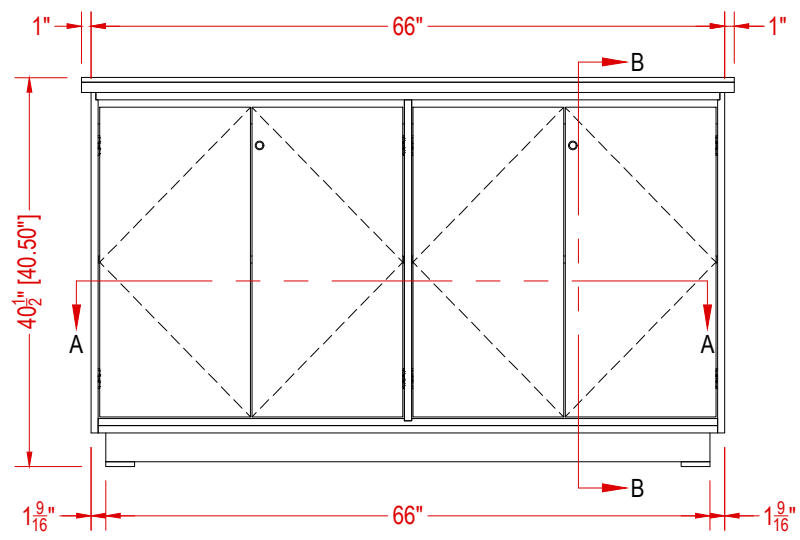
DATE DRAWN: Tuesday, December 13, 2022 FILE NAME: \\DALOP\SFS\2022_PROJECTS\RADIUS\PR060221_NRF_10\20\ENGINEERING\DETAILING WORKING FILES\PR060221_RADIUS_2020_S03_CUSTOM_RECEPTION.DWG



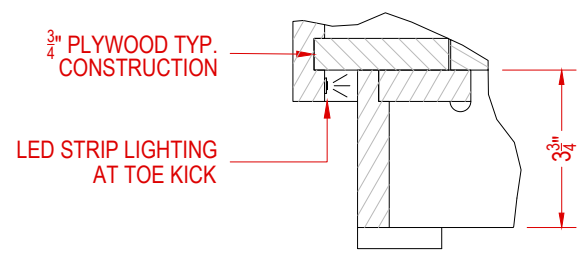
1 S.6 - PLAN SECTION A-A
SCALE: N.T.S.



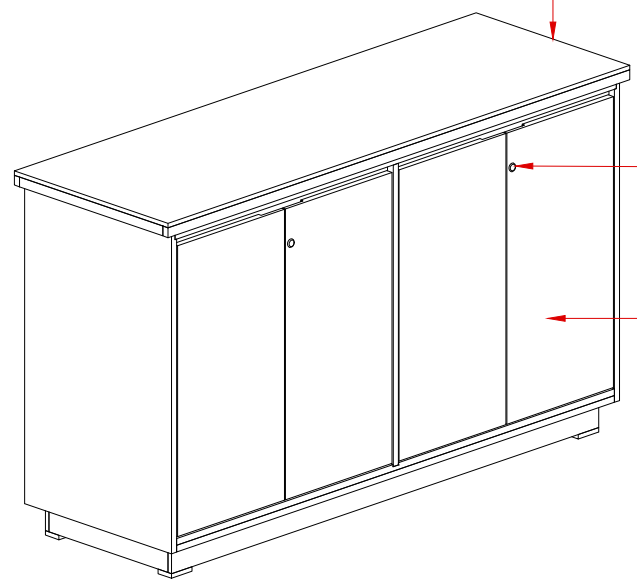
2 S.6 - TOP VIEW
SCALE: N.T.S.



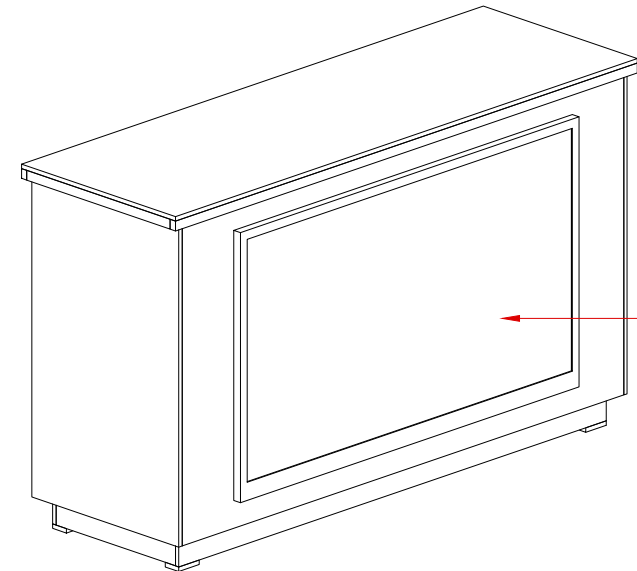
5 S.6 - ELEVATION VIEW
SCALE: N.T.S.



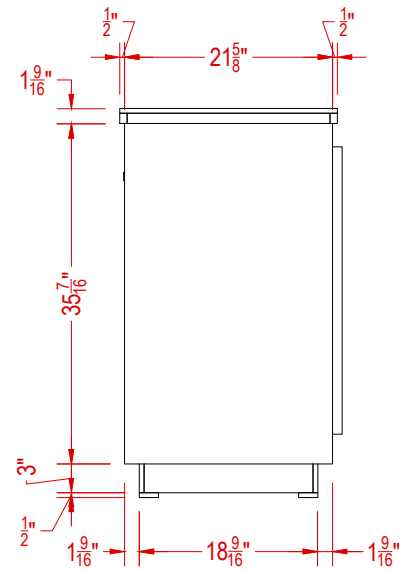
DETAIL D



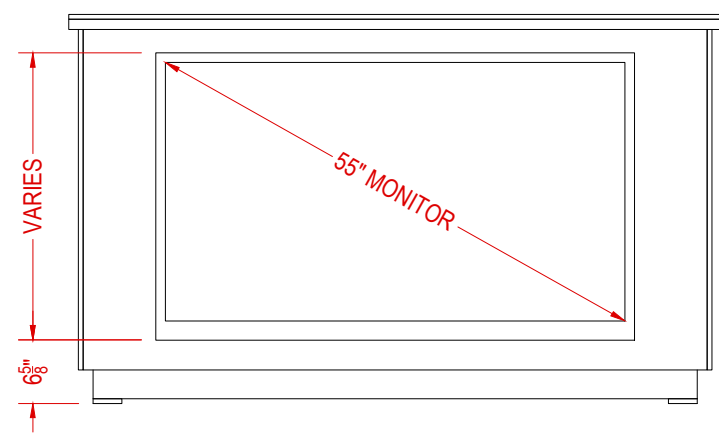
3 S.6 - FRONT ISO VIEW
SCALE: N.T.S.



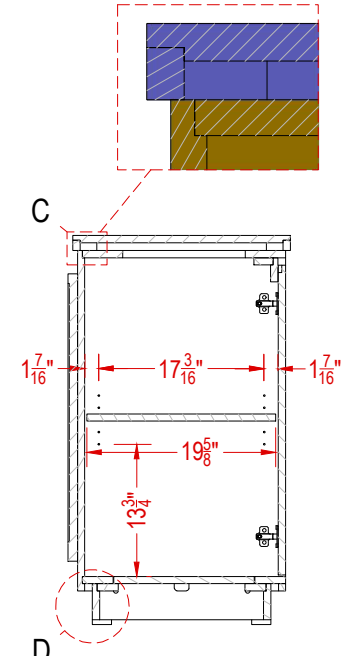
4 S.6 - FRONT ISO VIEW
SCALE: N.T.S.



6 S.6 - SIDE VIEW
SCALE: N.T.S.



7 S.6 - ELEVATION VIEW
SCALE: N.T.S.



8 S.6 - SIDE SECTION B-B
SCALE: N.T.S.

FABRICATION NOTES

1. ALL CABINETRY TO BE 3/4" PLYWOOD CONSTRUCTION
2. ALL DOORS TO BE 3/4" MDF W/ LINER
3. ALL COUNTERS TO BE 3/4" MDF W/ LINER
4. ALL INTERIOR TO BE CABINET LINER



CLIENT NAME	RADIUS	ACCOUNT MANAGER	CINDY DANIELS
PROJECT NAME	NRF 2023	PROJECT MANAGER	MICHAEL MURRAY
PROJECT DESCRIPTION	20 X 20 BOOTH BOOTH#	SALES PERSON	HILIARY HANCOCK

JOB NUMBER	PR060221	DATE PUBLISHED	Dec. 27, 22
PROJECT LOCATION	NEW YORK CITY, NY	PROJECT DETAILER	J VASQUEZ
PROJECT DATES	JAN. 15TH-17TH	PM SIGN OFF	

VISIT OUR WEBSITE FOR MORE INFO ABOUT THE TRADE GROUP:



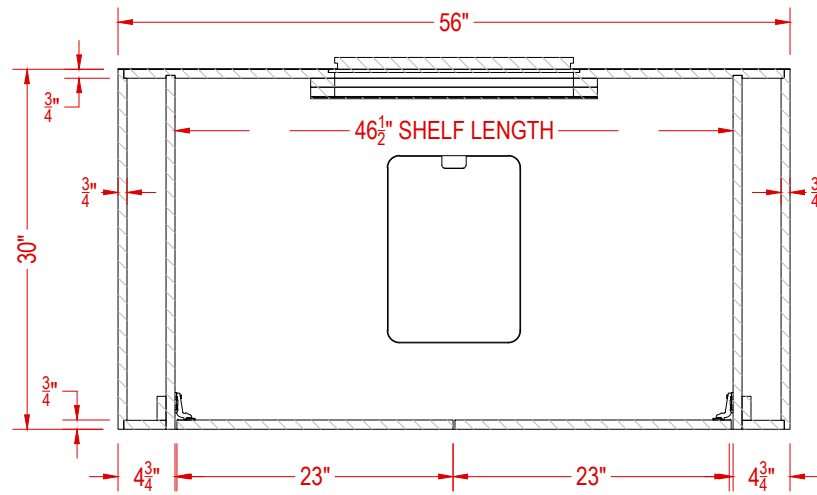
CONNECT WITH US ON LINKEDIN!



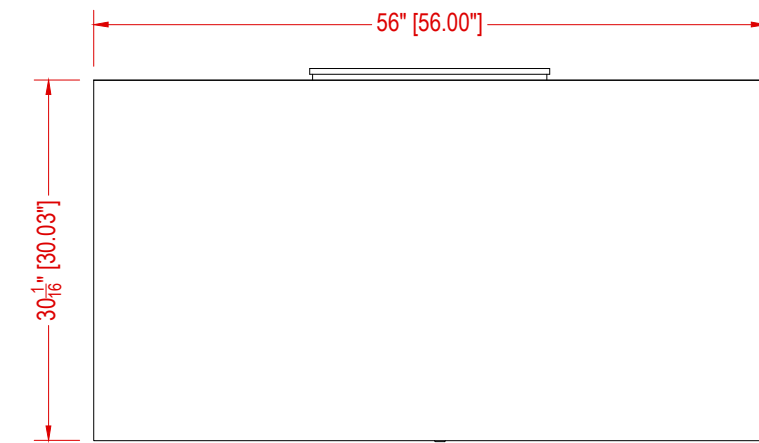
CUSTOM RECEPTION

THIS DRAWING, AND THE INFORMATION CONTAINED HEREIN, IS THE PROPERTY OF THE TRADE GROUP. IT MAY NOT BE REPRODUCED OR COPIED IN WHOLE OR IN PART. ANY UNAUTHORIZED USE ON ANY OTHER PROJECT MAY BE SUBJECT TO PENALTY © 2004

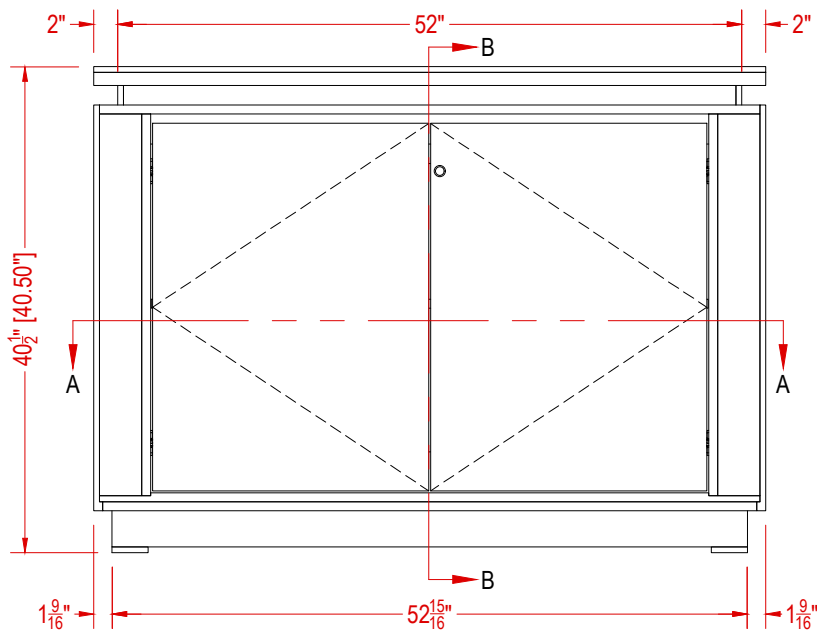
S.6



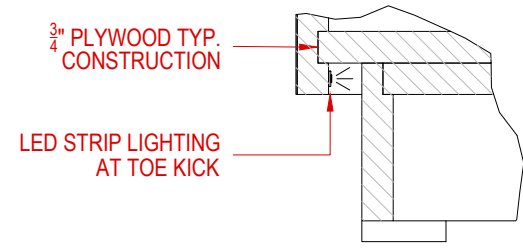
1 S.7 - PLAN SECTION A-A
SCALE: N.T.S.



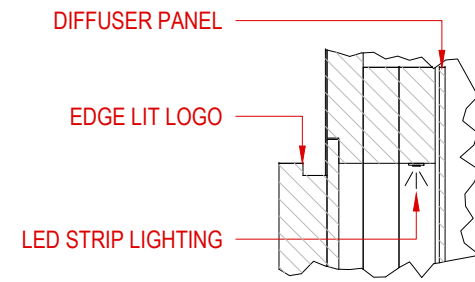
2 S.7 - TOP VIEW
SCALE: N.T.S.



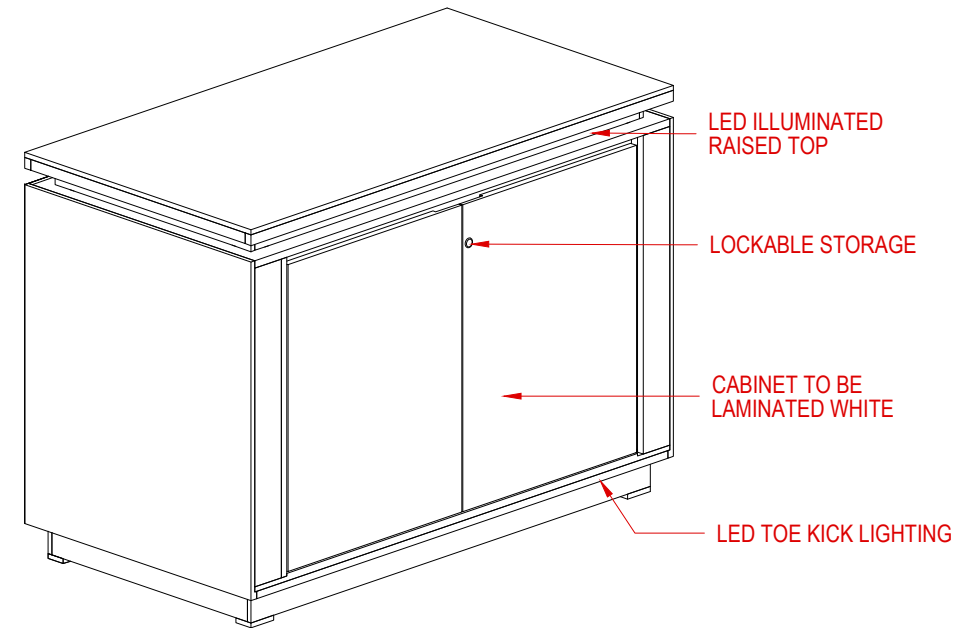
5 S.7 - ELEVATION VIEW
SCALE: N.T.S.



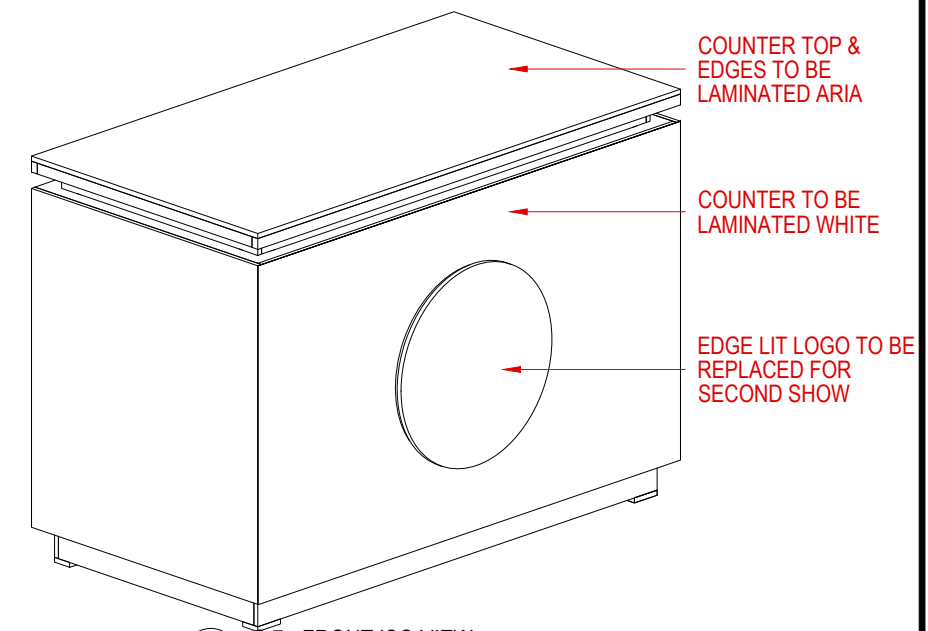
DETAIL D



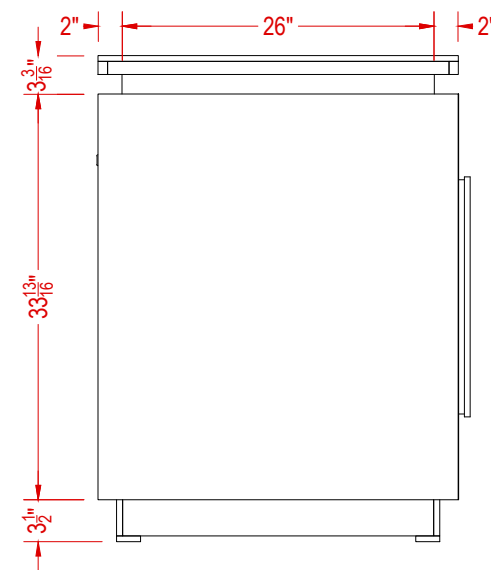
DETAIL C



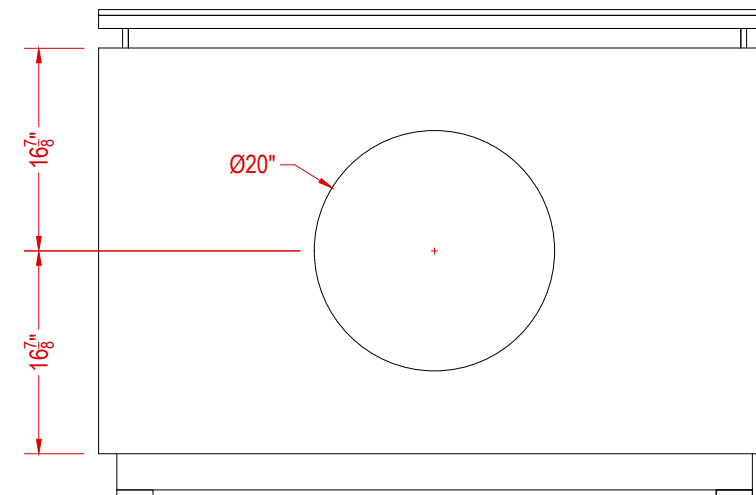
3 S.7 - REAR ISO VIEW
SCALE: N.T.S.



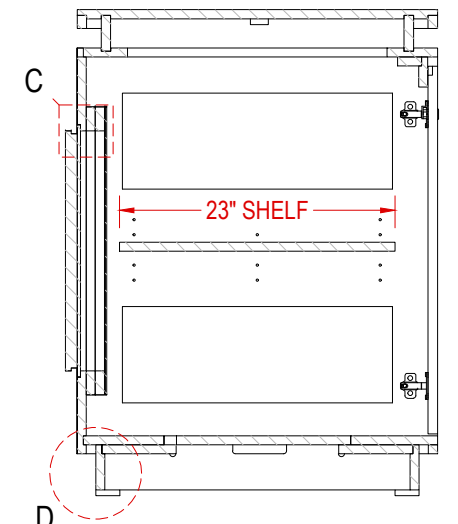
4 S.7 - FRONT ISO VIEW
SCALE: N.T.S.



6 S.7 - SIDE VIEW
SCALE: N.T.S.



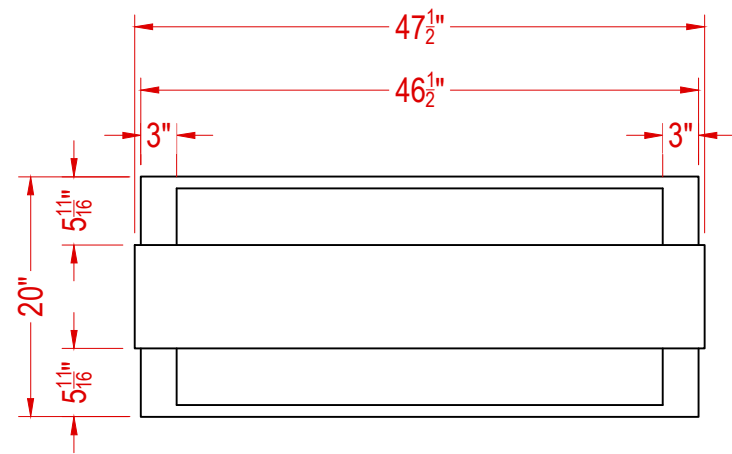
7 S.7 - ELEVATION VIEW
SCALE: N.T.S.



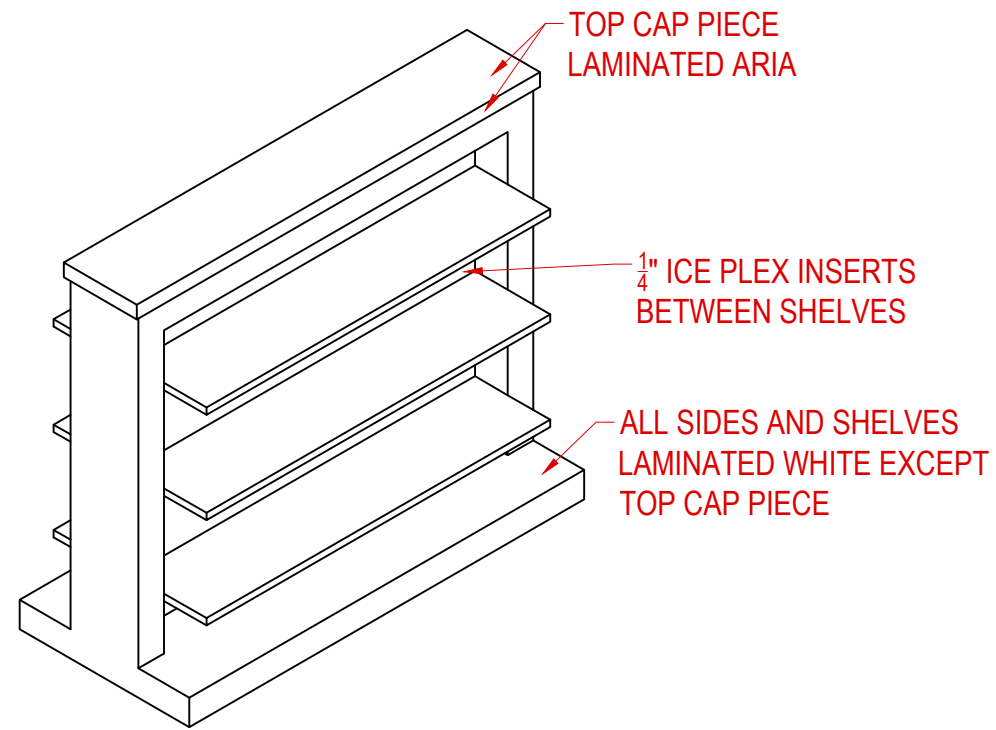
8 S.7 - SIDE SECTION B-B
SCALE: N.T.S.

FABRICATION NOTES

1. ALL CABINETY TO BE 3/4" PLYWOOD W/ LINER
2. ALL DOORS TO BE 3/4" MDF W/ LINER
3. ALL COUNTERS TO BE 3/4" MDF W/ LINER
4. ALL INTERIOR TO BE CABINET LINER



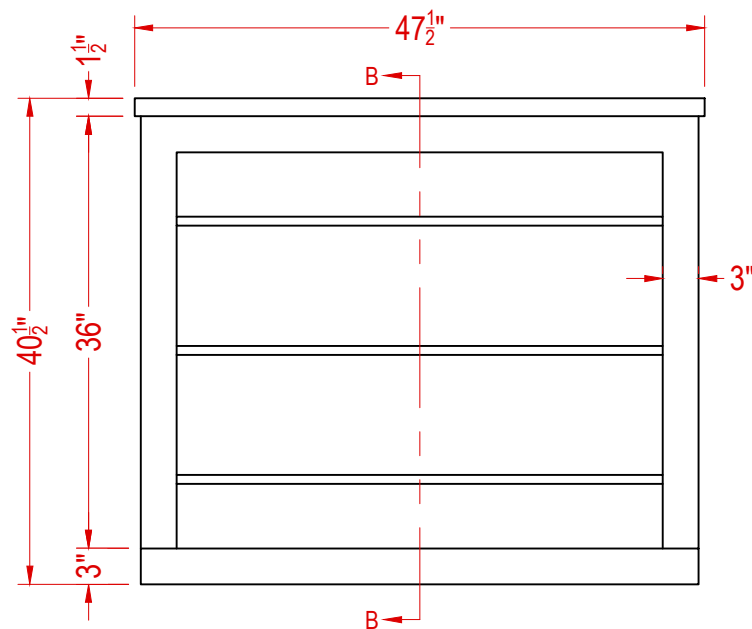
1 S.8 - TOP
SCALE: N.T.S.



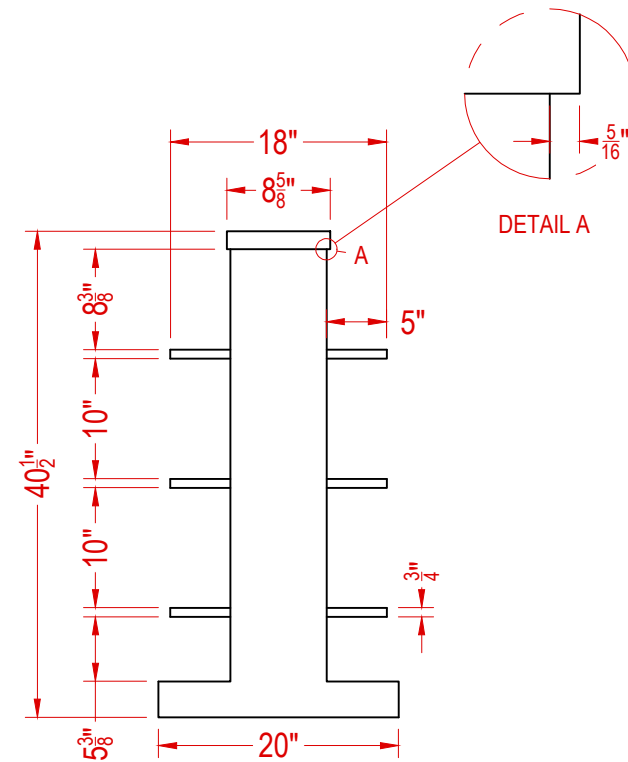
3 S.8 - ISO
SCALE: N.T.S.

FABRICATION NOTE

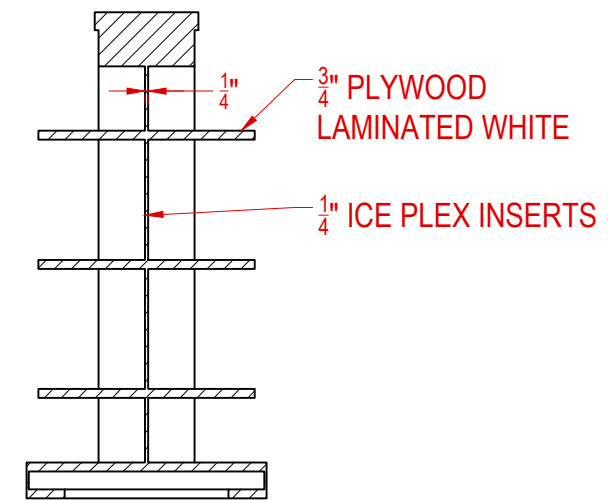
1. 3/4" PLYWOOD CONSTRUCTION
2. WHITE LAMINATE FRAME & SHELVES
3. ARIA LAMINATE TOP PIECE
4. 1/4" ICE PLEX INFILLS
5. QTY: 2 UNITS



2 S.8 - FRONT
SCALE: N.T.S.



4 S.8 - SIDE
SCALE: N.T.S.



5 S.8 - SECTION B-B
SCALE: N.T.S.