

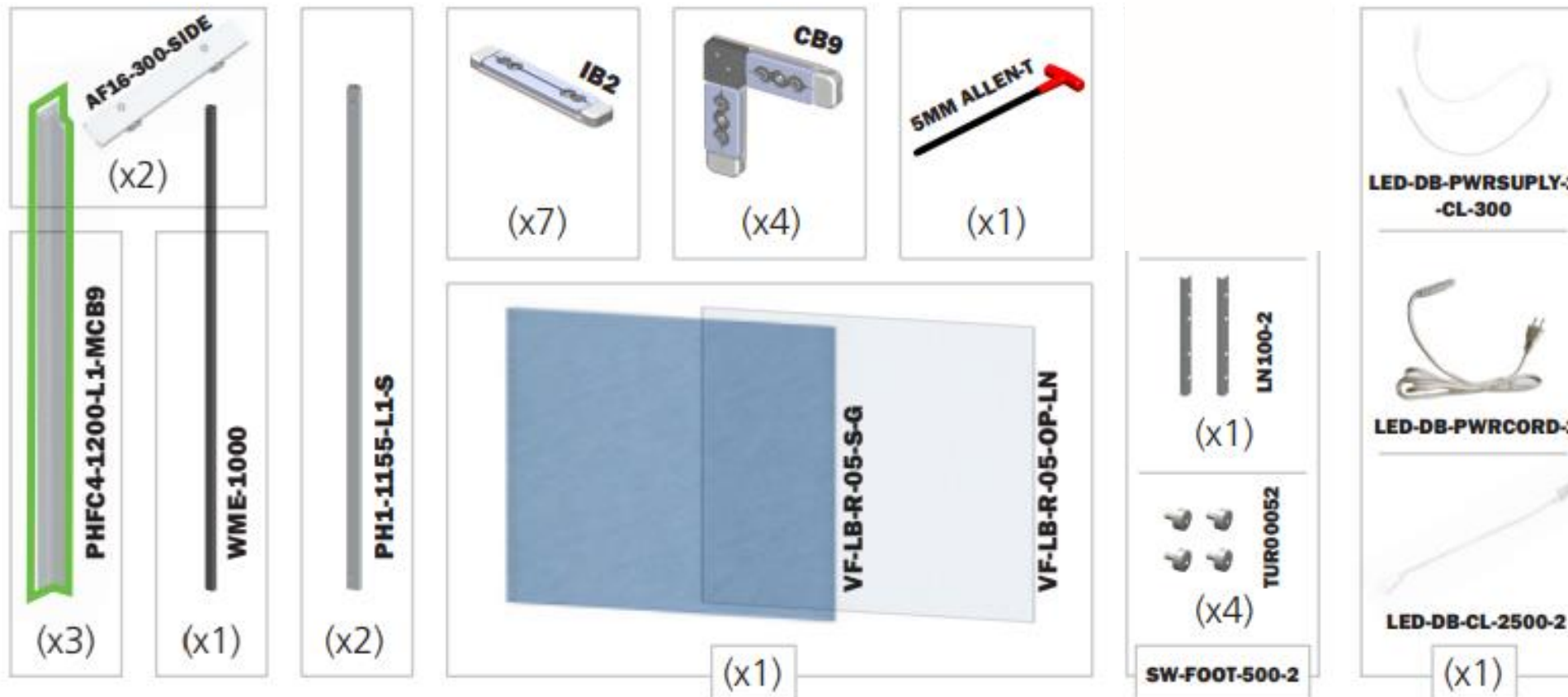
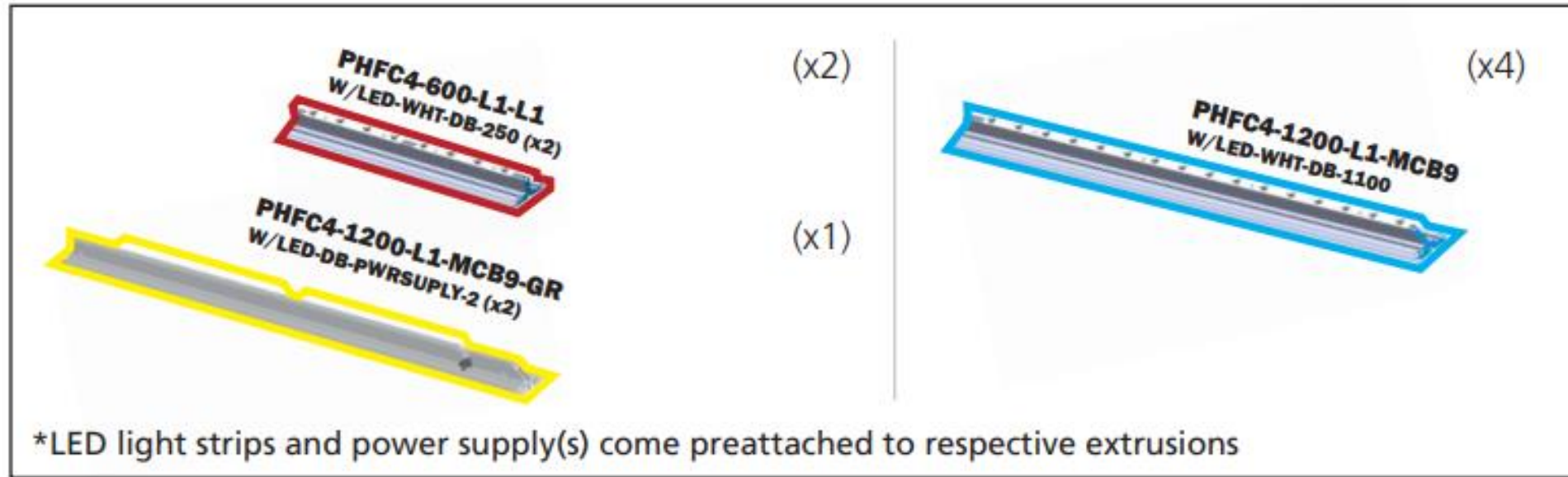
H&H 10x20 – Set up Instructions



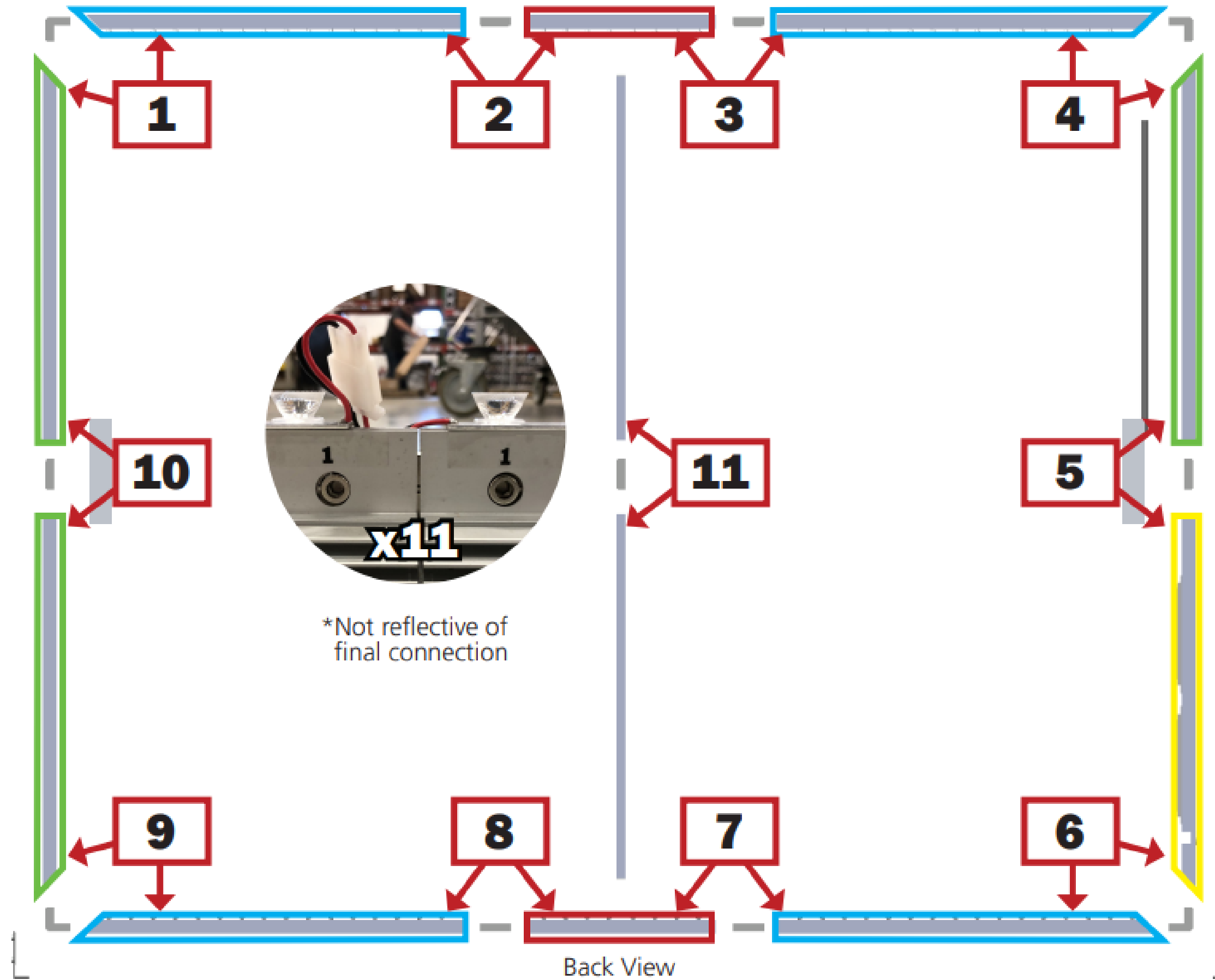
Table of Contents	– Page 2
SEG Lightbox Assembly	– Page 3
Tools & Equipment Needed	– Page 7
Electrical Drops	– Page 8
Flooring	– Page 10
Red Section	– Page 11
Blue Section	– Page 13
Final Touches	– Page 16

SEG GRAPHIC LIGHT BOX ASSEMBLY INSTRUCTIONS

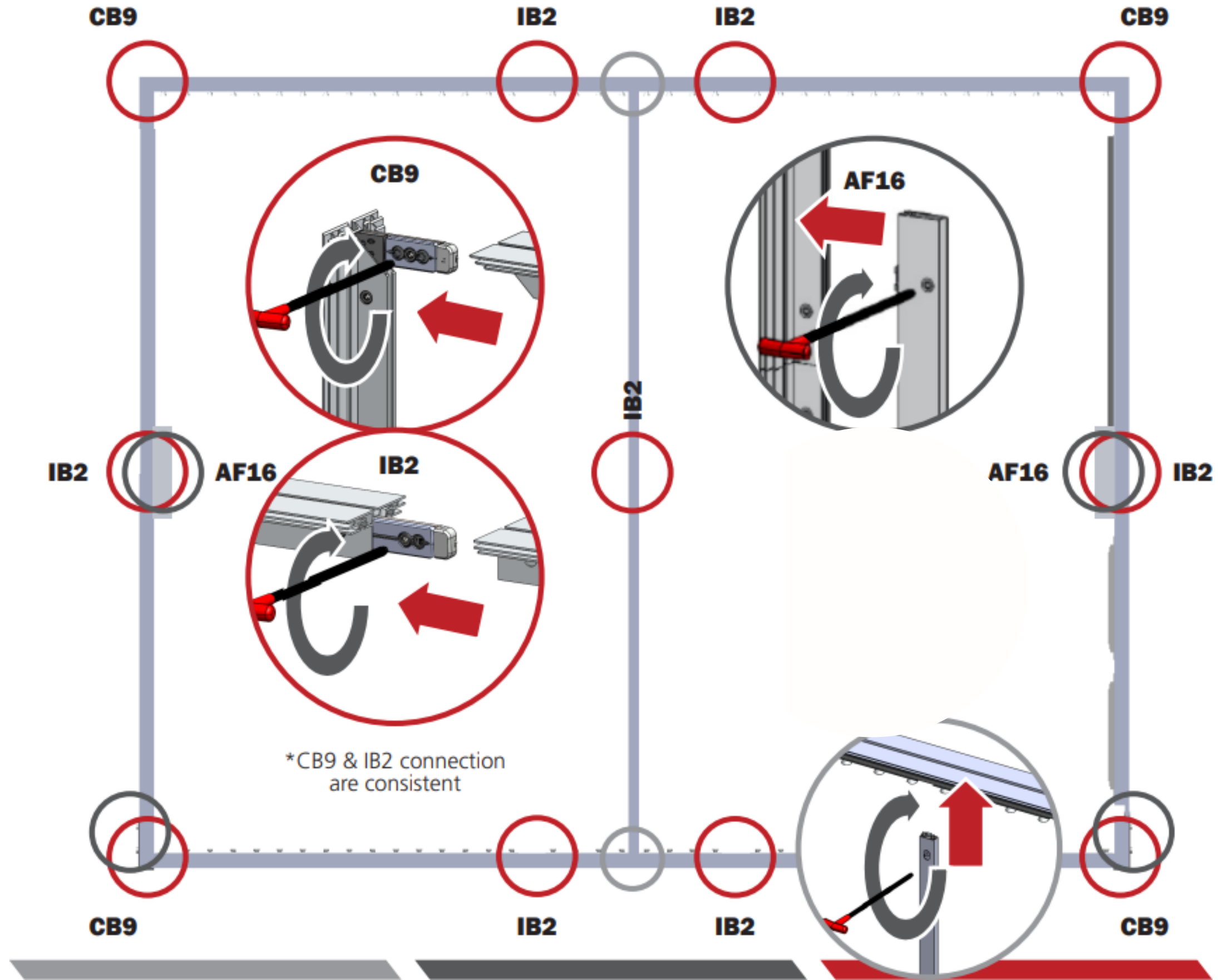
(Referenced on pages 11 and 13)



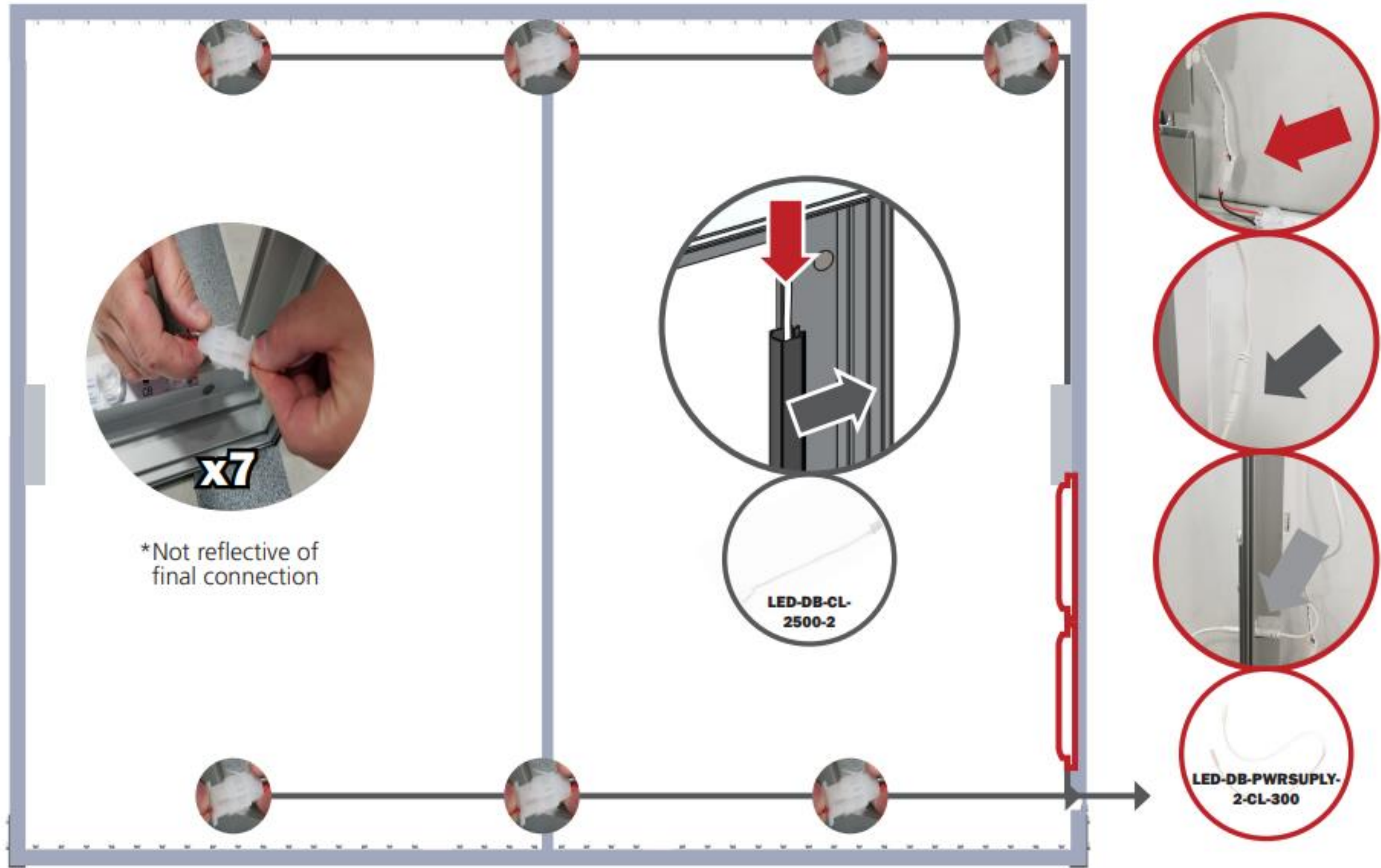
H&H 10x20 – Set up Instructions – SEG



H&H 10x20 – Set up Instructions – SEG



H&H 10x20 – Set up Instructions – SEG

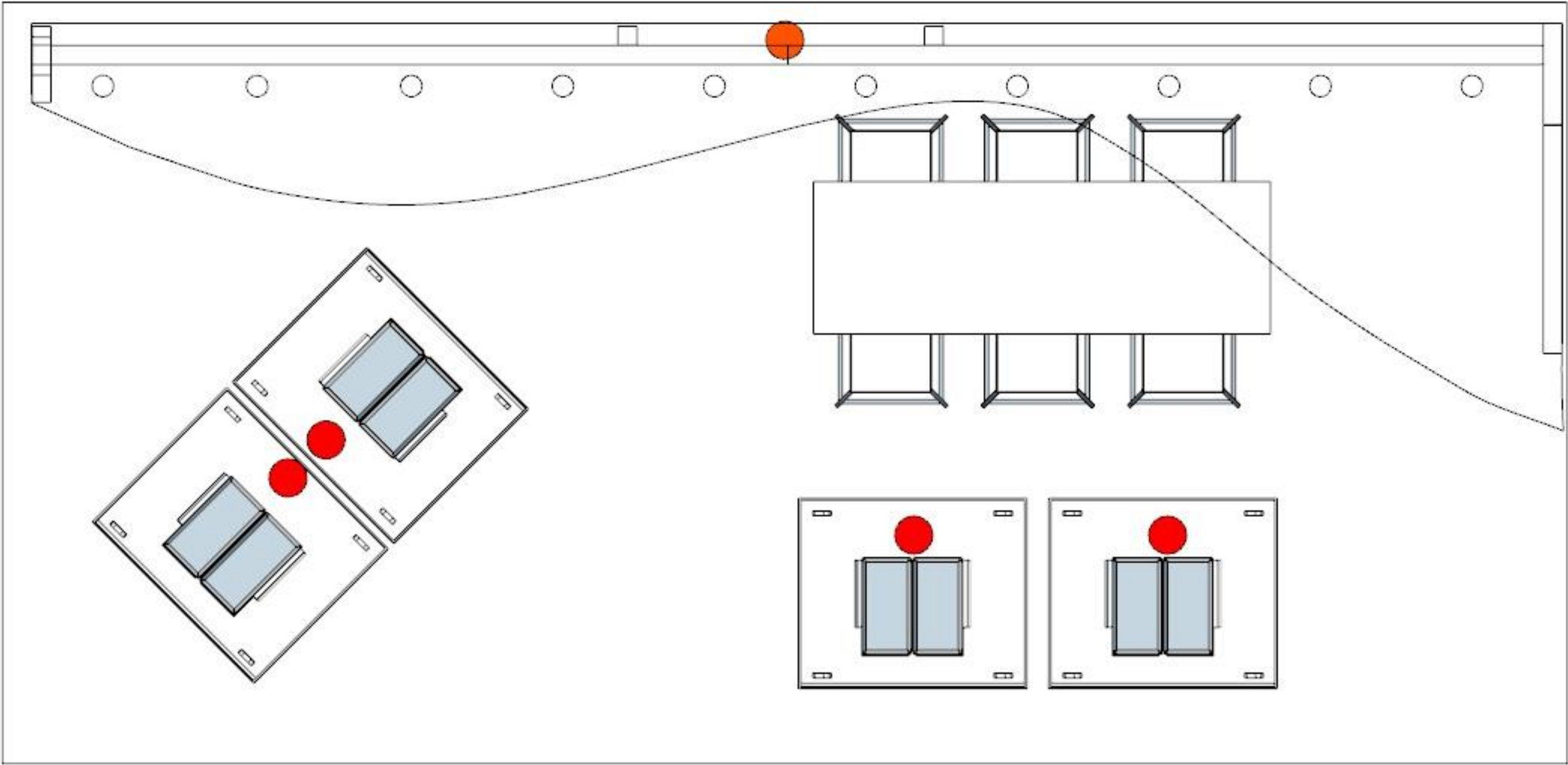


Tools & Equipment Needed

- 1) Impact Drill with 1/4" - 20 driver**
- 2) 2 - 6' Ladders**
- 3) Genie Lift**
- 4) Hot knife**

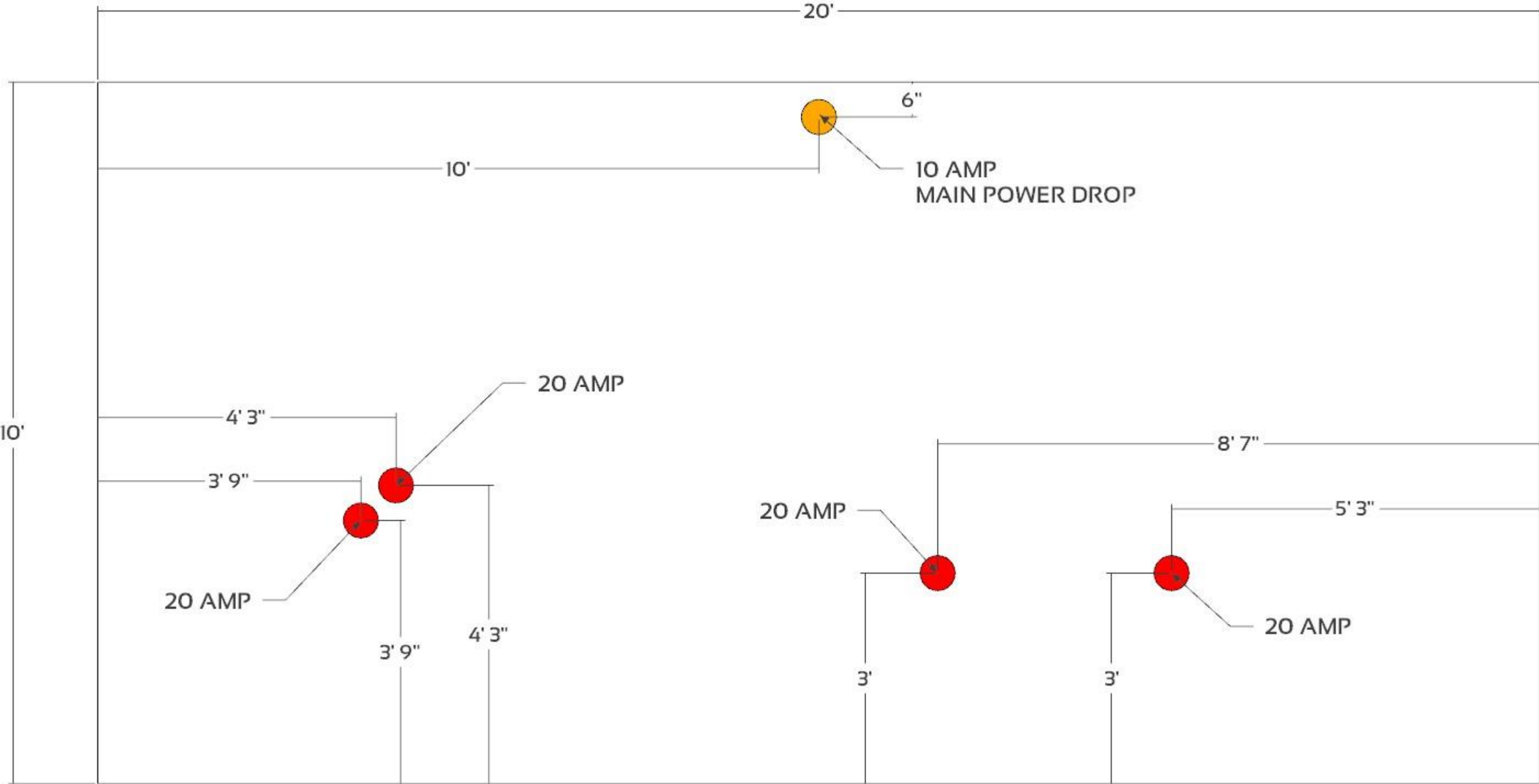
H&H 10x20 – Set up Instructions – Power Drops

Ensure that the booth orientation is correct and that all power drops are in the correct locations



H&H 10x20 – Set up Instructions – Power Drops

Ensure that the booth orientation is correct and that all power drops are in the correct locations

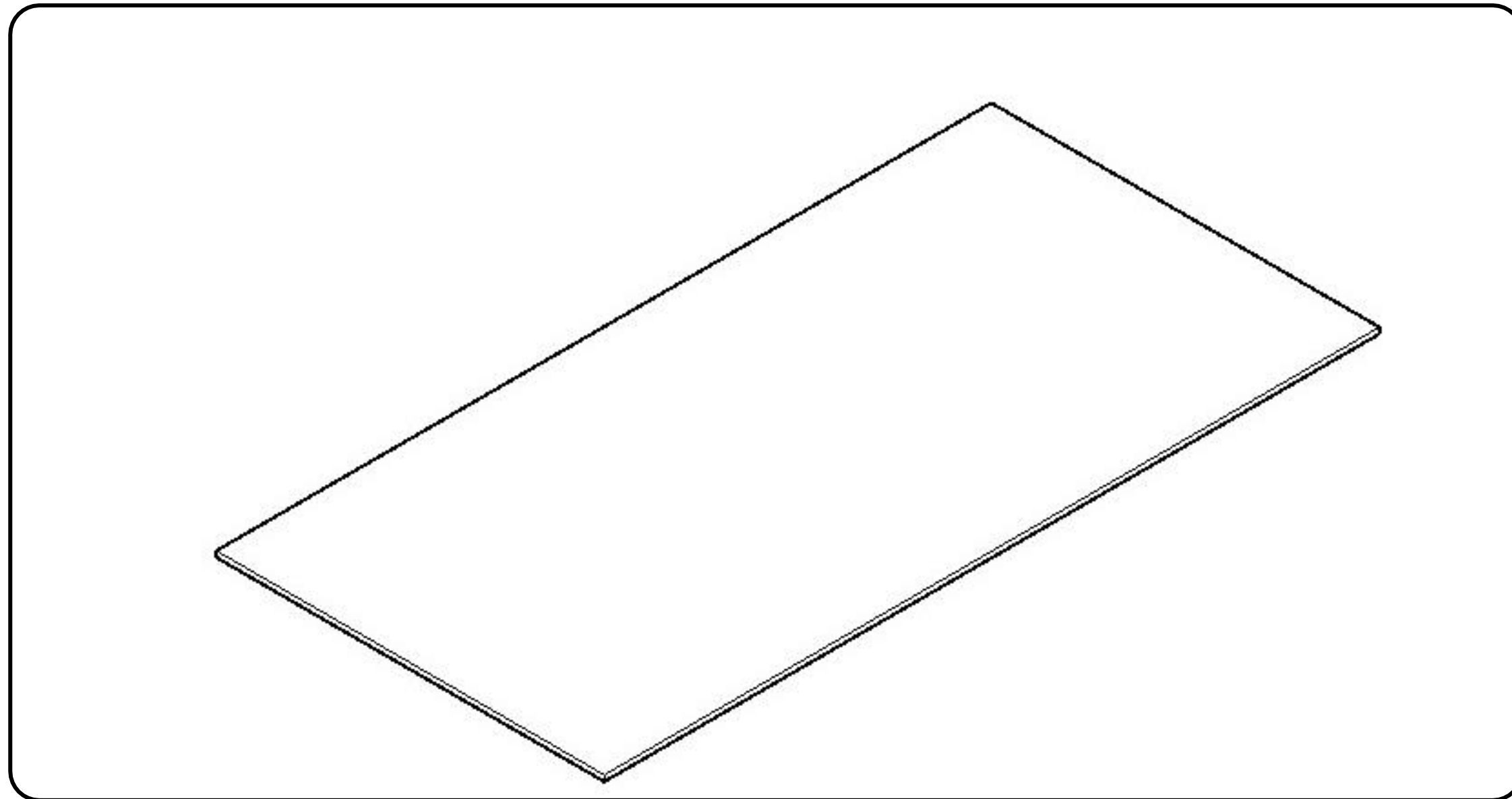


H&H 10x20 – Set up Instructions - Flooring

Align **Padding** and roll out, trimming off any excess.

Once **padding** is down, lay down the **Flooring**

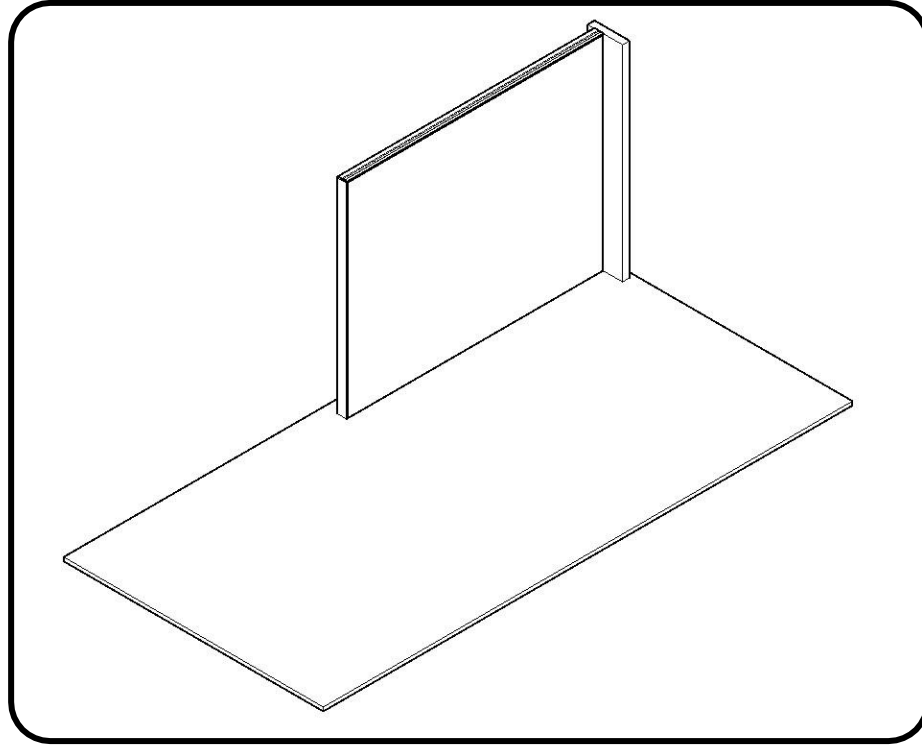
After **Flex Floor** is down, use **VisQueen** to help protect it until show day.



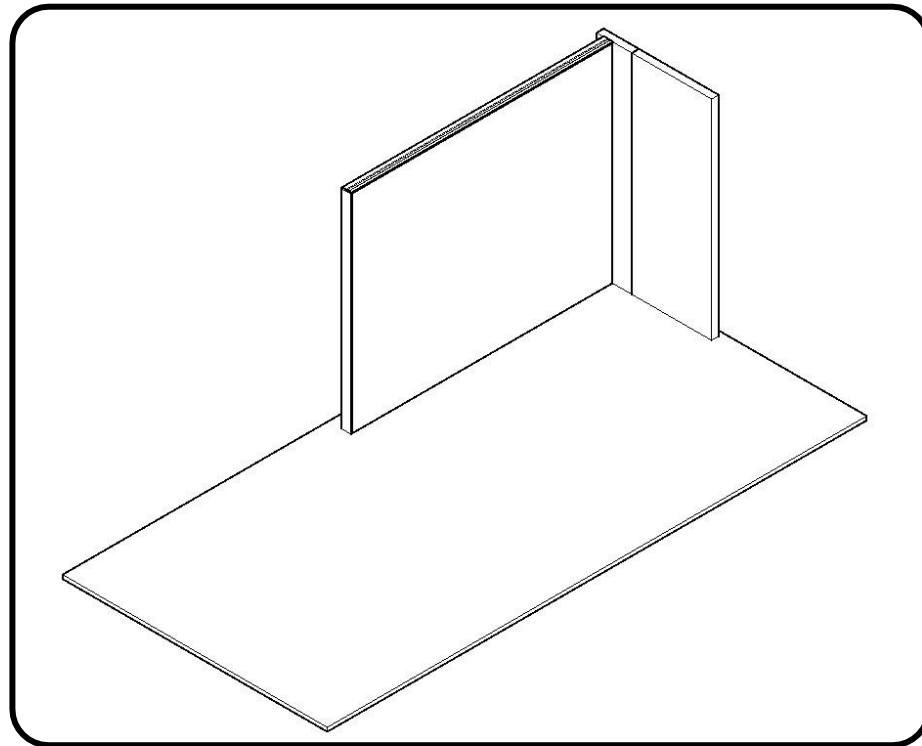
H&H 10x20 – Set up Instructions – Red Section

Assemble red labeled SEG Lightbox and apply the **front graphic** to the frame.

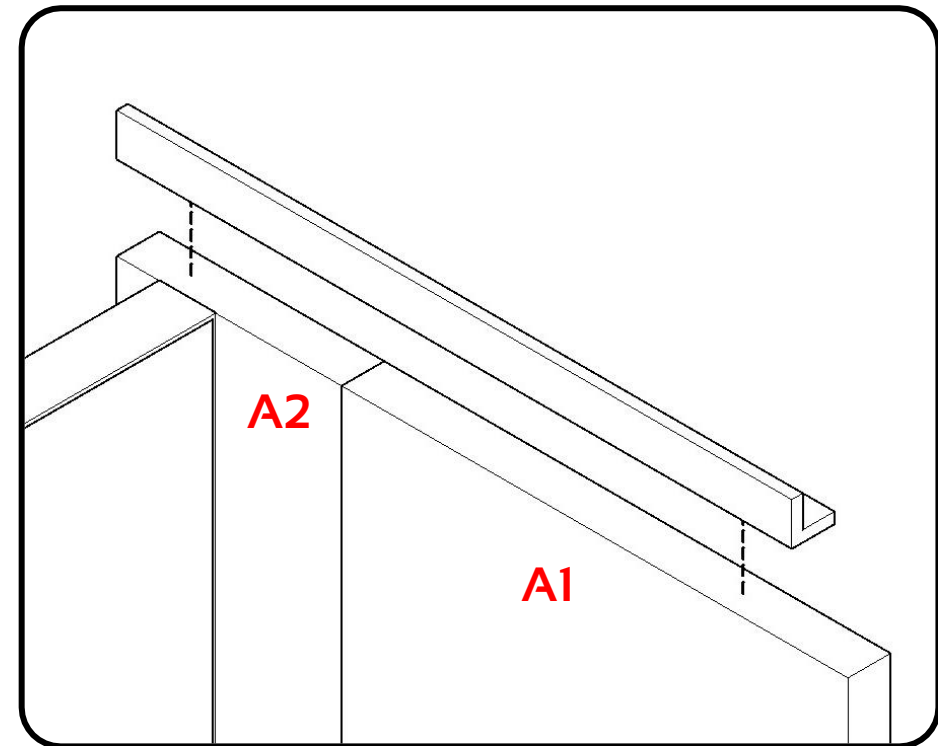
Then, bolt into **Red Panel A2** (Please note, Red A2 also has a **Green A2** Label on it. Disregard this label, it is for a different orientation).



Now, bolt Red Panel A1 to Red Panel A2 (Please note, Red A1 also has a **Green A6** Label on it. Disregard this label, it is for a different orientation).

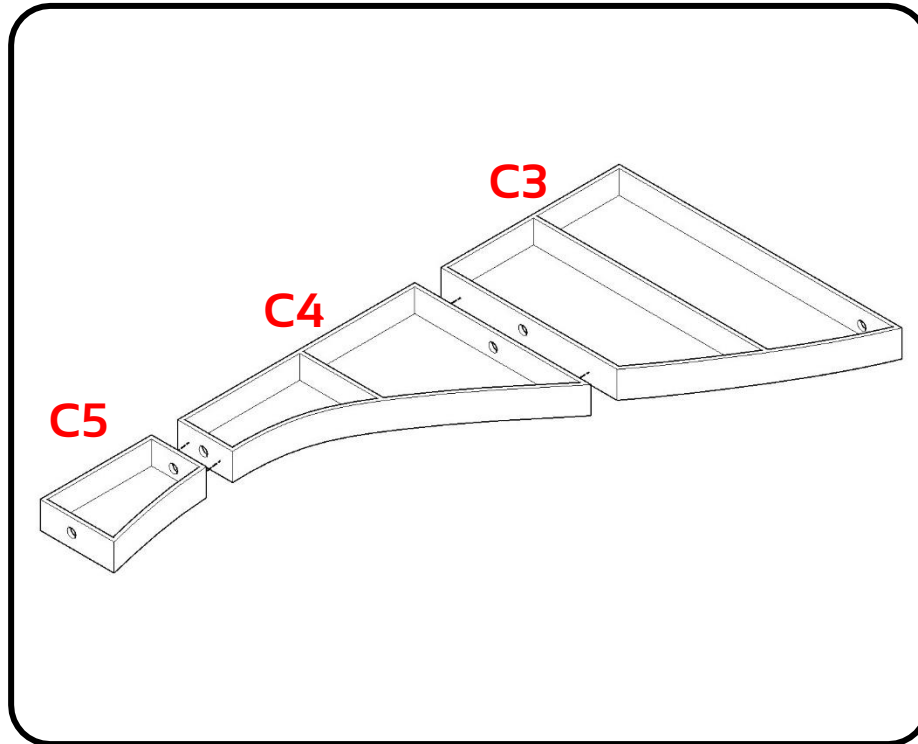


Bolt the canopy support to the top of panels **Red A1** and **Red A2**



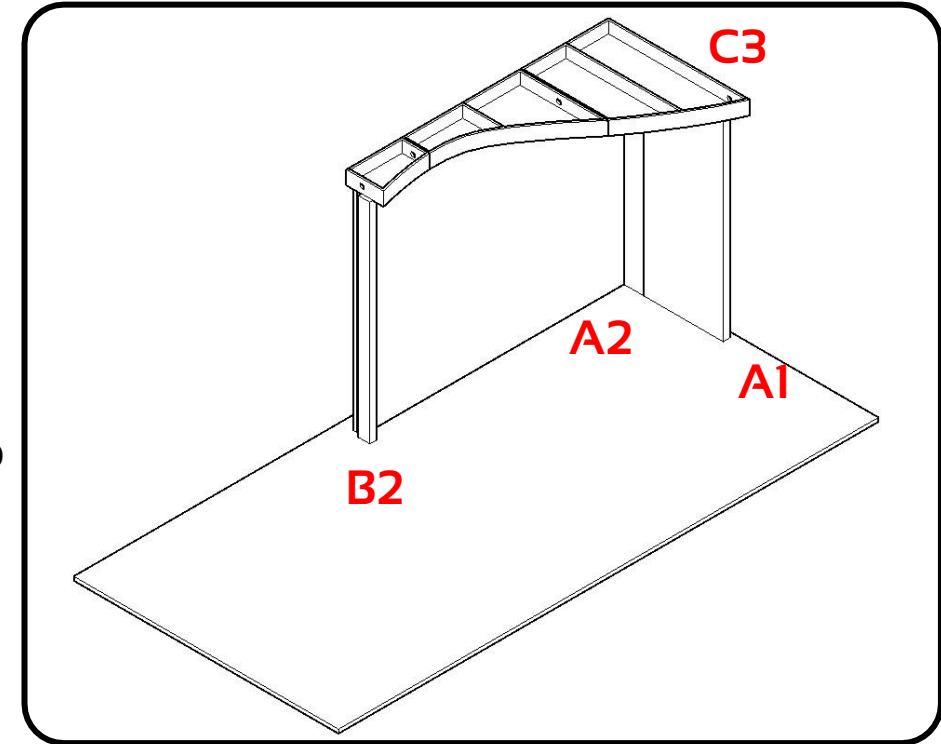
H&H 10x20 – Set up Instructions – Red Section

On the floor, align the **Red C3** Canopy Panel, the **Red C4** Canopy Panel and the **Red C5** Canopy Panel. Once aligned, bolt together using supplied **1/4-20 hex bolts**.

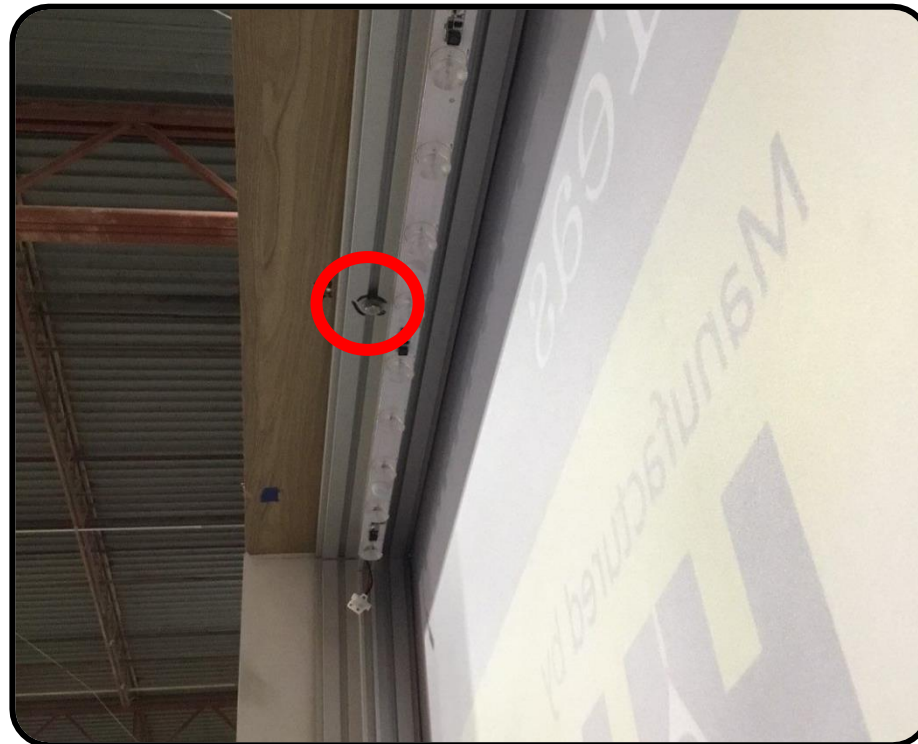


Carefully lift the canopy while supporting with **Red Support Pillar B2**.

Bolt the **Red C3** Canopy Panel into the **canopy support**.



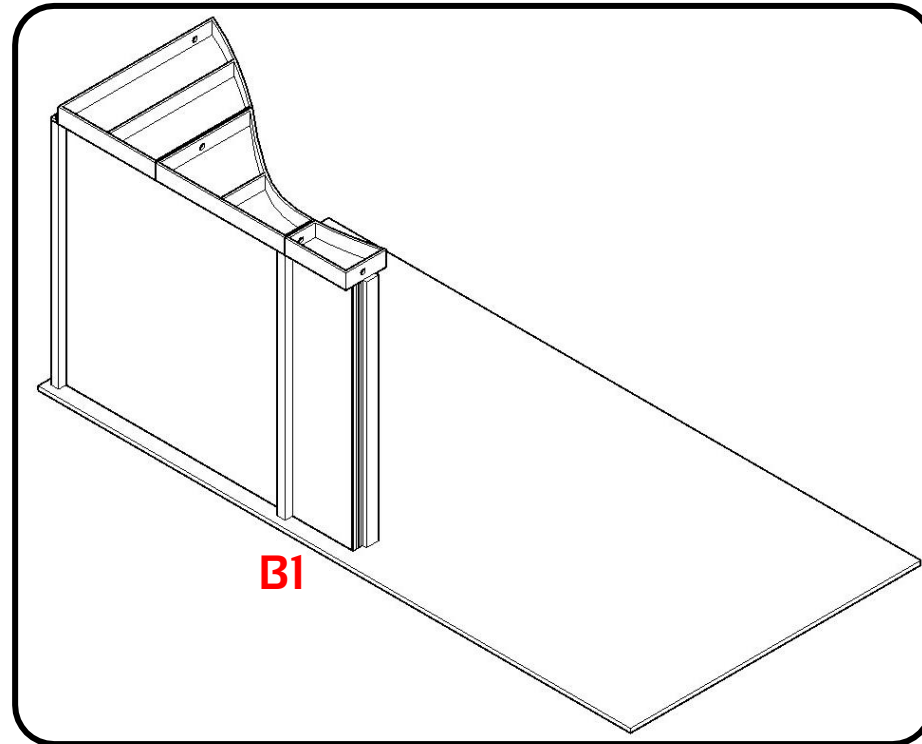
Bolt the SEG Frame into the canopy along the left, middle and right along the top of the frame



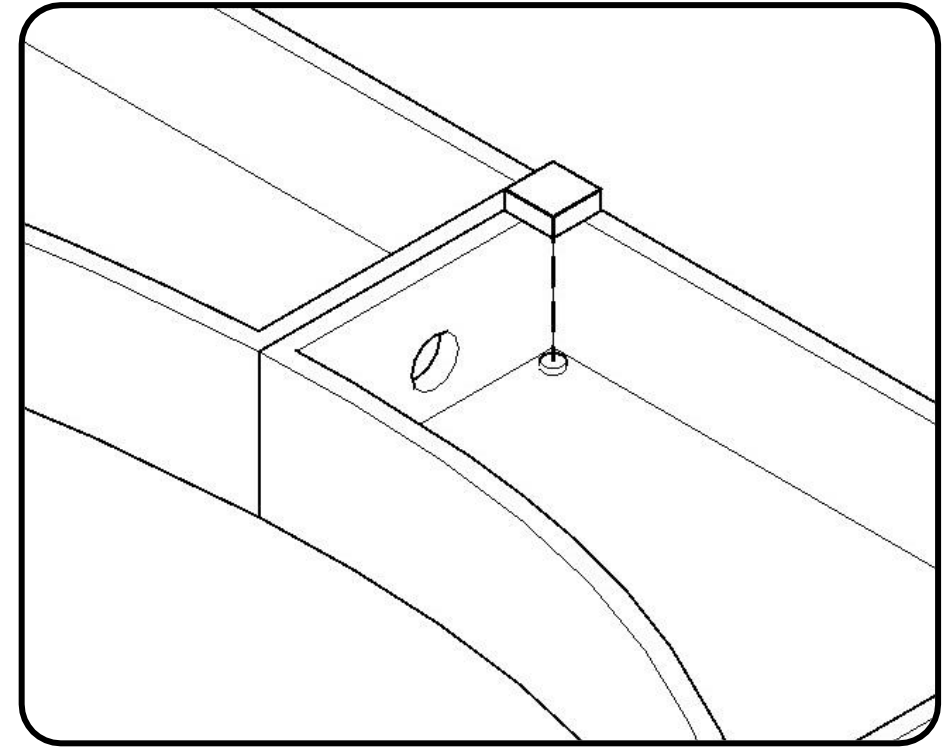
H&H 10x20 – Set up Instructions – Blue Section

Once Frame is in place, apply fabric backer to the SEG Frame.

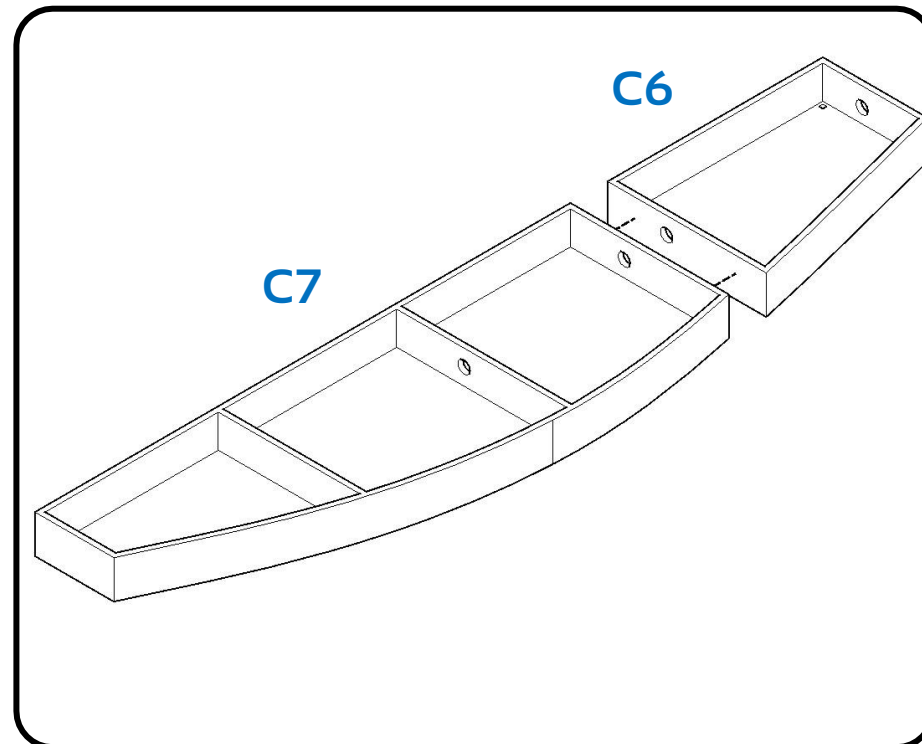
Once **backer** is in place, place the **Red Support Pillar B1** under the canopy via the **dowel** at the top of the support.



Once the Support pillar is in place, connect the Pillar topper to the pillar and canopy via drywall screw

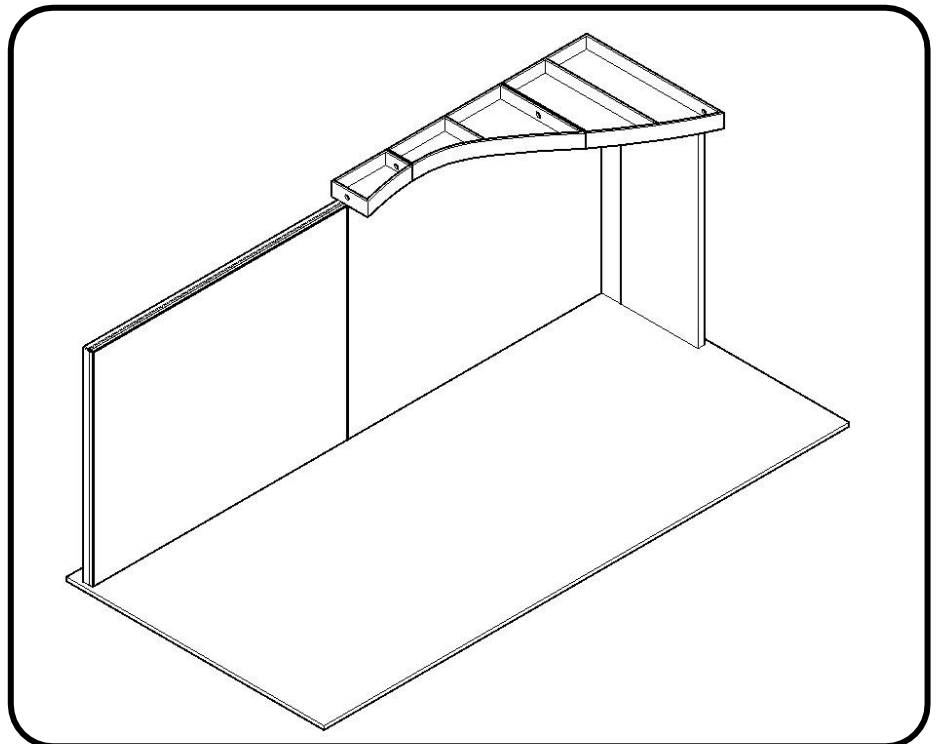


On the floor, align the **Blue C6 Canopy Panel** and the **Blue C7 Canopy Panel**. Once aligned, bolt together using supplied **1/4-20 hex bolts**.



Assemble the **Blue Labeled SEG Lightbox** according to the instructions on pages **3** through **6**. Then, apply the **front graphic** to the **frame**.

Once **graphic** is attached, slide the **frame** into place and bolt into the neighboring SEG.

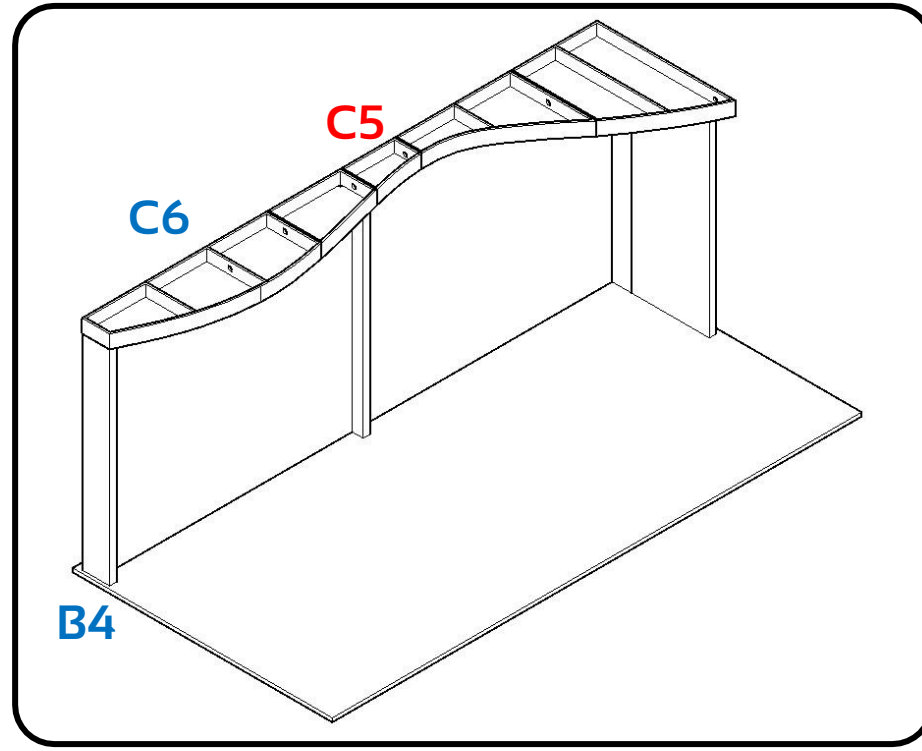


H&H 10x20 – Set up Instructions – Blue Section

After bolting, connect the SEG Backer to the right side of the frame (Looking from the back) as the **Blue Support Pillar B4** will block this part of the frame.

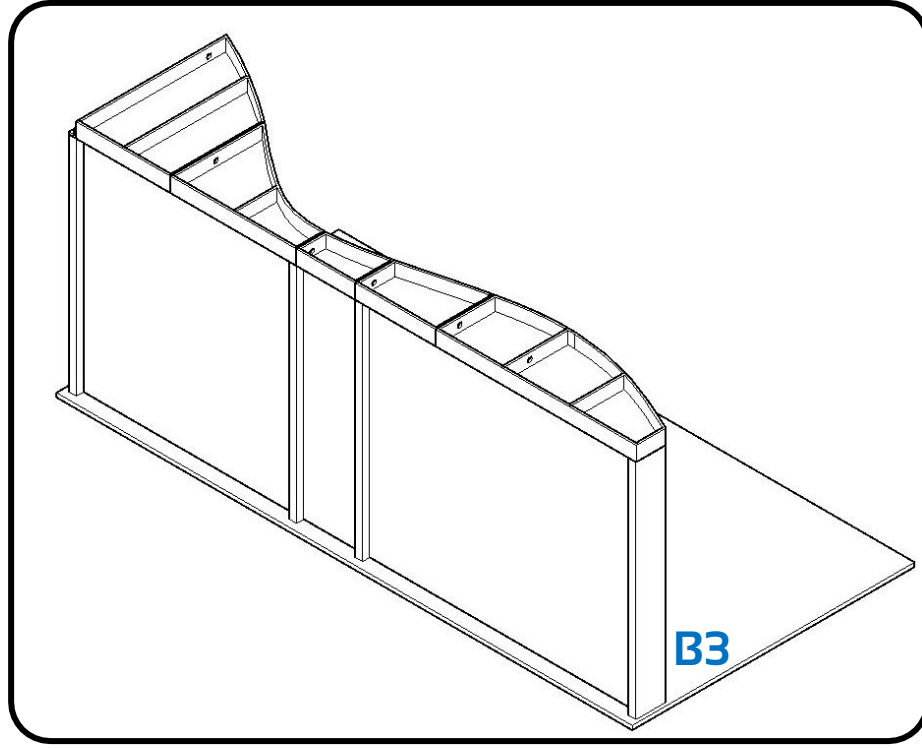
Then, lift up the **blue canopy components** while supporting with **Blue Support Pillar B4**, and bolt canopy **C6** into **C5**.

After connecting into the canopy, bolt the SEG frame into the canopy as well

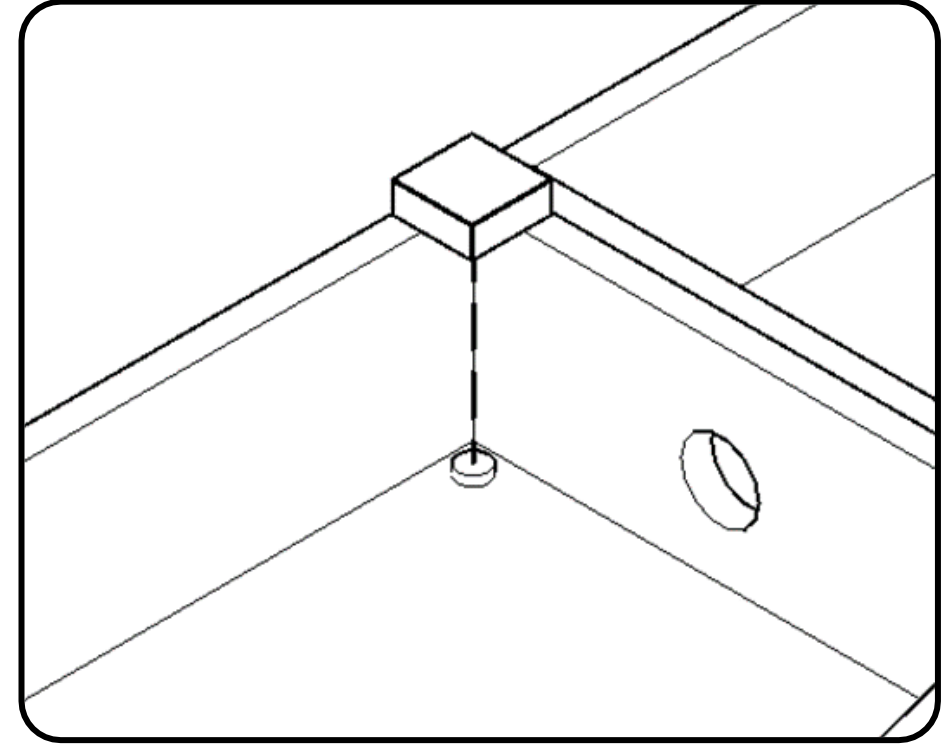


H&H 10x20 – Set up Instructions – Blue Section

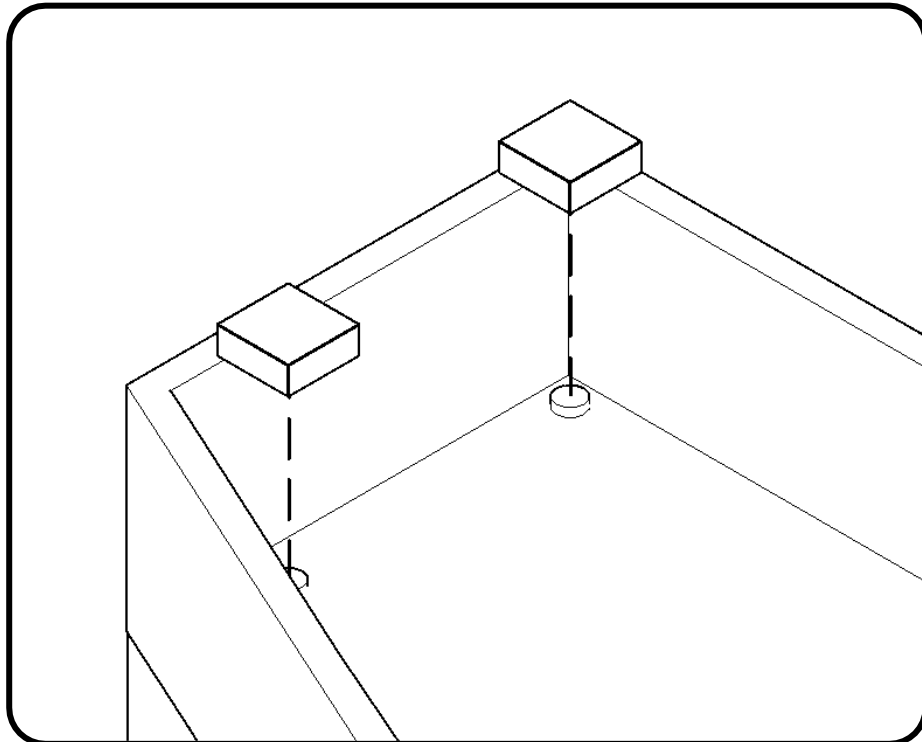
Now, place **support pillar B3** into place, aligning via a dowel at the top of the pillar and a hole in **canopy piece C6**



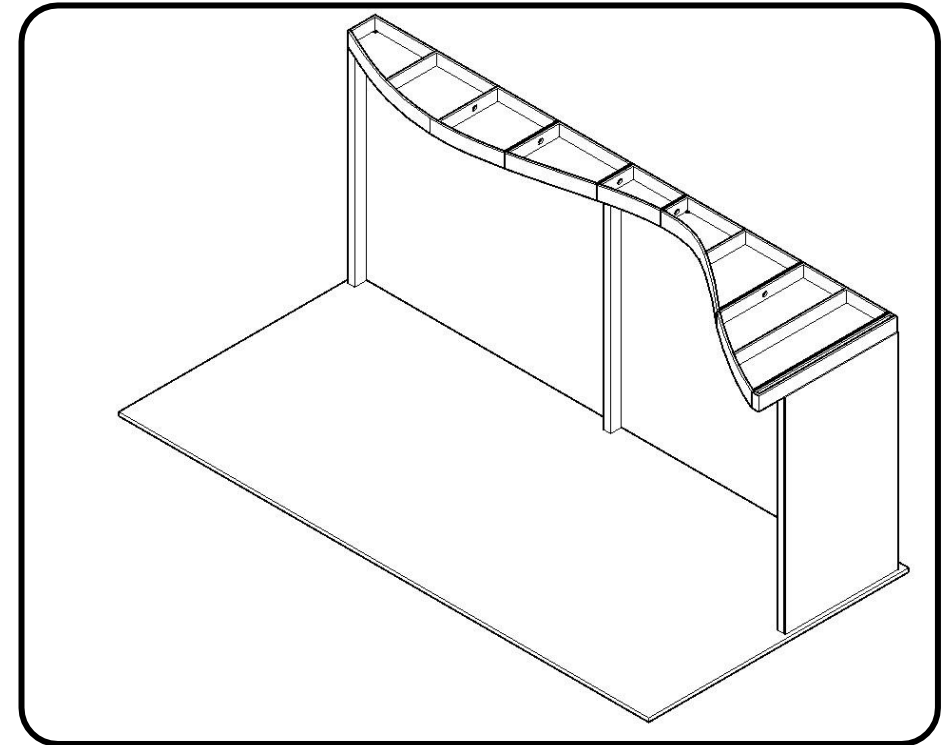
Once the Support pillar is in place, connect the Pillar topper to the pillar and canopy via drywall screw



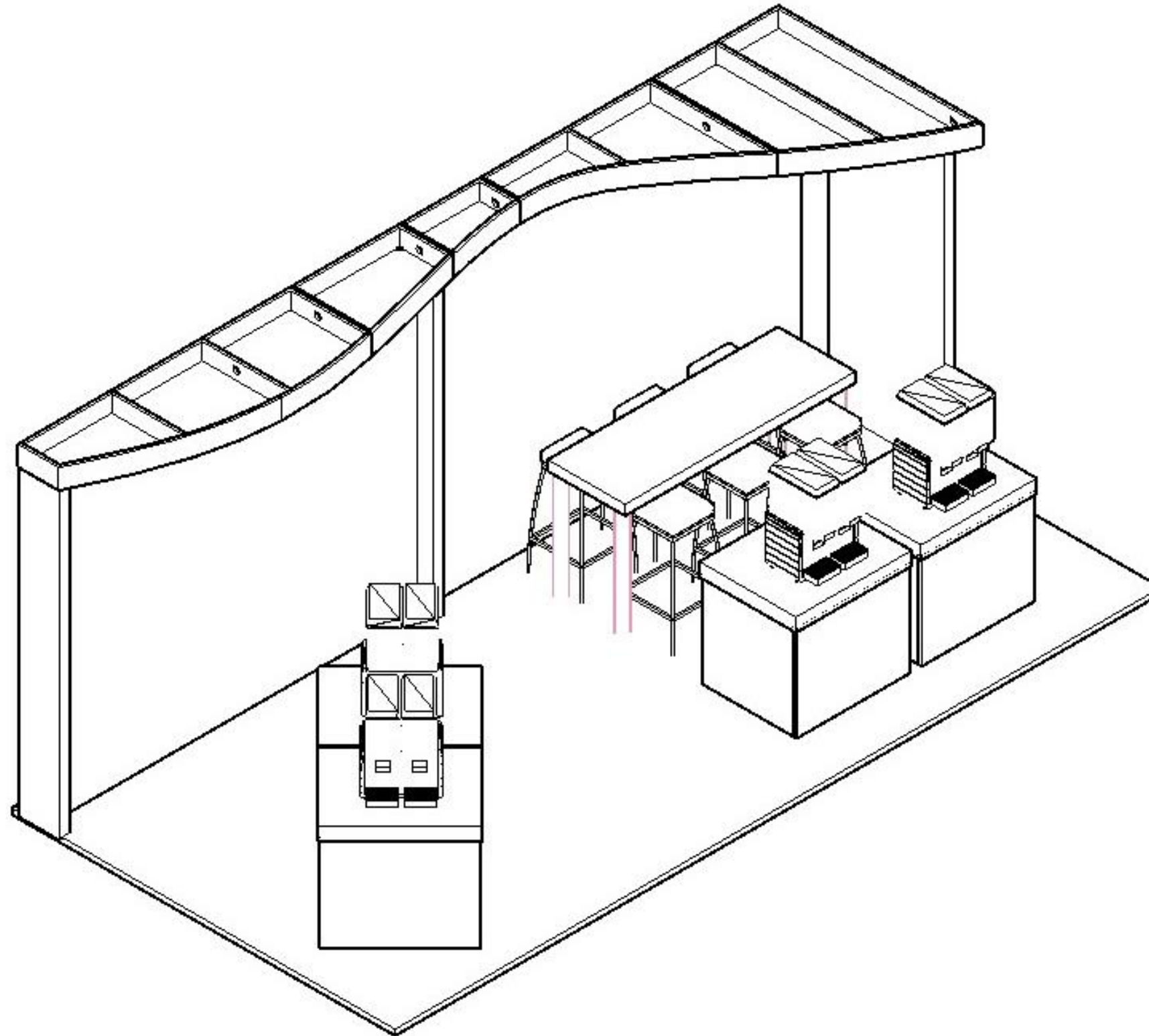
Screw in the pillar toppers for **support pillar B4** to secure in place.



Bolt Canopy Support Cover to the canopy support and apply white PVC panel covers to the exposed sides of the panels.



H&H 10x20 – Set up Instructions – Final Touches



Place Counters & Plug in through the bottom
Ensure that everything is powered
Wipe down the booth
Have a great show!