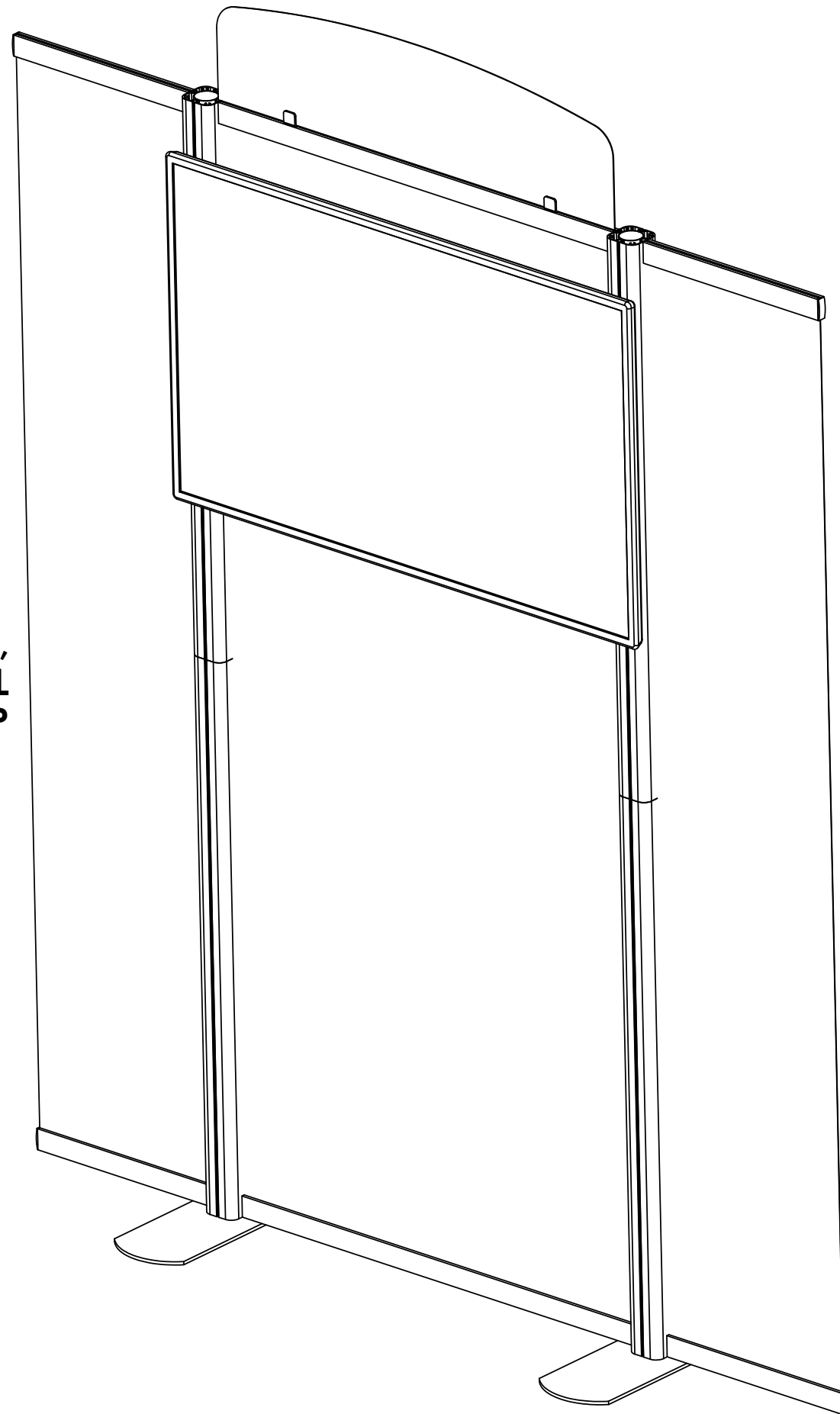


# Timberline Hybrid Monitor Displays


## TL-MONITOR-XXXX

FRONT VIEW WITH GRAPHIC,  
STRAIGHT SIDES AND METAL  
FUSION ARCH TOP



# SET-UP MANUAL



FINISH:	THIRD ANGLE PROJECTION	PROPERTY: THIS DOCUMENT AND DATA DISCLOSED HEREIN OR HEREAFTER IS NOT TO BE REPRODUCED, USED, OR DISCLOSED IN WHOLE OR IN PART TO ANYONE WITHOUT PERMISSION OF NIEDO GROUP, INC.
MATERIAL:	 NIEDO GROUP, INC. 5465 SW WESTERN AVE. BEAVERTON, OR 97005	
DIMENSIONS ARE IN MILLIMETERS	Timberline Hybrid Monitor Display	
TOLERANCES UNLESS OTHERWISE SPECIFIED	Set Up Instructions	
SIZE: B	DWG. NO.:	REV: -01
SCALE: NA	DO NOT SCALE DRAWING	SHEET 1

8 7 6 5 4 3 2 1

METAL FUSION ARCH TOP  
ARCH TOP MOUNTING BRACKET

**TL-MONITOR-XXXX**  
(1) MOLDED PLASTIC WHEELED CASE  
(1) CASE WILL CONTAIN DYE-SUB FABRIC PANEL

Z-4400 15-3/4" END (4)

MONITOR MOUNT


TIMBERLINE POST (2)

Z-4400 CENTER SPAN (2)

TIMBERLINE FOOT (2)

FOOT MOUNTING HARDWARE

**TIMBERLINE HYBRID MONITOR DISPLAYS**

FINISH:	THIRD ANGLE PROJECTION	PROPERTY: THIS DOCUMENT AND DATA DISCLOSED HEREIN OR HEREWITH IS NOT TO BE REPRODUCED, USED, OR DISCLOSED IN WHOLE OR IN PART TO ANYONE WITHOUT PERMISSION OF NIEDO GROUP, INC.
MATERIAL:		
DIMENSIONS ARE IN MILLIMETERS	 <b>NIEDO GROUP, INC.</b> 5465 SW WESTERN AVE. BEAVERTON, OR 97005	
TOLERANCES UNLESS OTHERWISE SPECIFIED	<b>Timberline Hybrid Monitor Displays Setup Instructions</b>	
REV B	DWG. NO.	REV -01
SCALE: NA	DO NOT SCALE DRAWING	SHEET 1

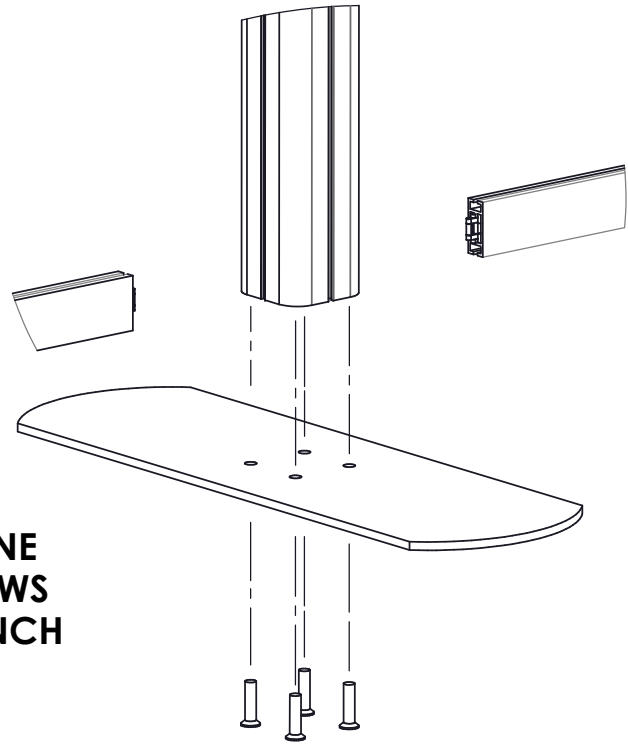
8 7 6 5 4 3 2 1

**TIMBERLINE HYBRID MONITOR DISPLAYS**  
**TL-MONITOR-xxxx**

**TIMBERLINE ASSEMBLY DETAILS**

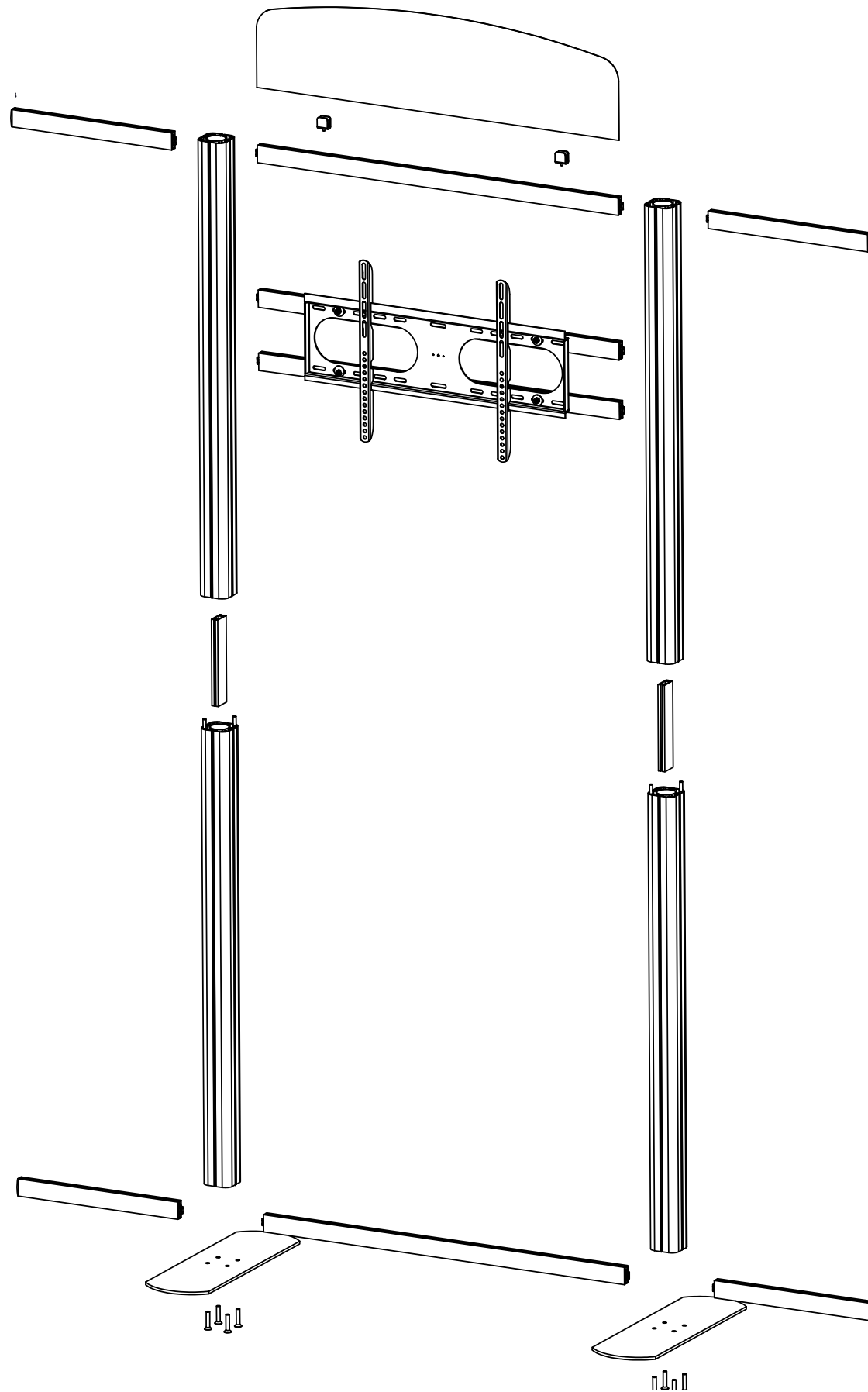
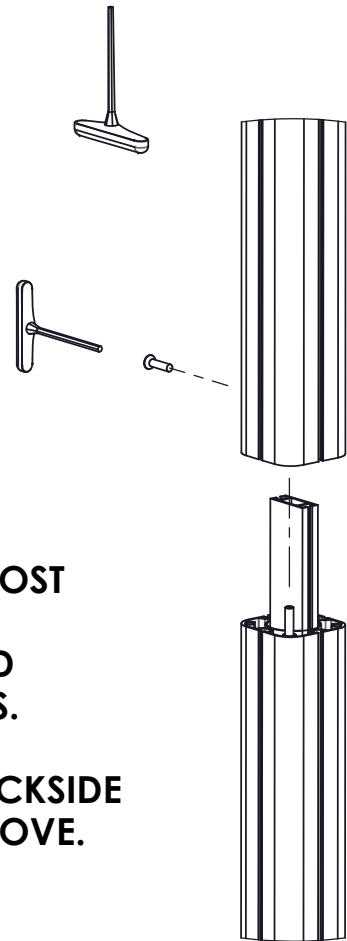
**STEP 1**

INSTALL TIMBERLINE FEET WITH 4 SCREWS AND ALLEN WRENCH PROVIDED.



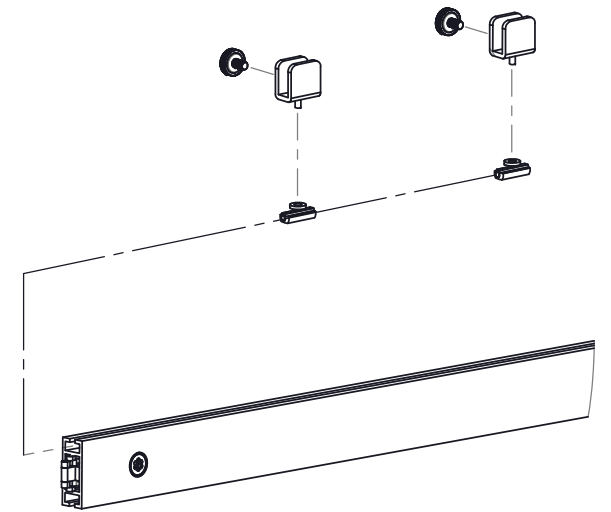
**STEP 2**

REMOVE SCREW FROM LOWER POST INSERT, SLIDE UPPER POST OVER LOWER POST, INSERT SCREW AND TIGHTEN. REPEAT WITH ALL POSTS. BE CERTAIN THAT HARDWARE IS INSERTED AND VISIBLE FROM BACKSIDE OF FRAME ONLY, AS SHOWN ABOVE.



**STEP 3**

SLIDE GRAPHIC HEADER BRACKET INTO UPPER GROOVE OF TOP FRAME Z-4400 CENTER SPAN.



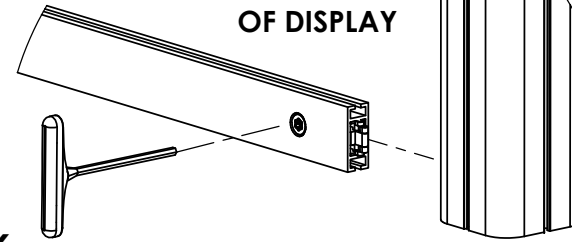
**TIMBERLINE HYBRID MONITOR DISPLAYS  
TL-MONITOR-xxxx**

**TIMBERLINE ASSEMBLY DETAILS**

**STEP 4**

ASSEMBLE CENTER SPANS TO POSTS BY INSERTING THE INTERLOCK FULLY INTO THE POST CHANNEL AND TURNING THE SOCKET HEAD ADJUSTMENT CLOCKWISE TO TIGHTEN (SEE DETAIL A) AND LOCK THE SPAN IN PLACE. USE THIS METHOD FOR ASSEMBLING BOTH TOP AND BOTTOM SPANS TO THE TIMBERLINE POSTS. BE CERTAIN THAT THE INTERLOCK SOCKET IS ON THE BACK SIDE OF THE DISPLAY TO AVOID BEING VISIBLE.

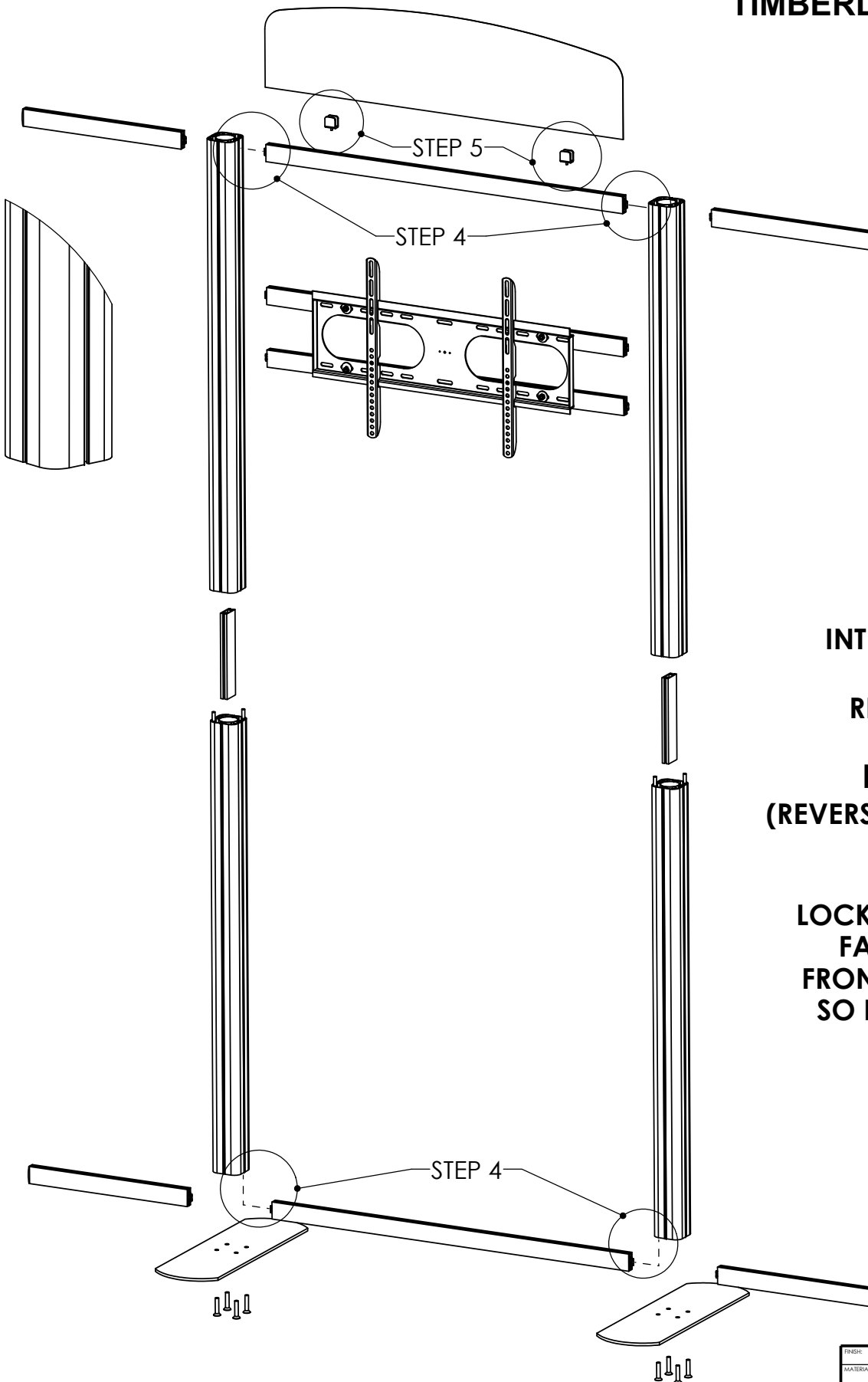
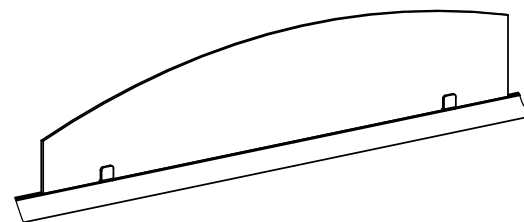
VIEW FROM BACK SIDE OF DISPLAY



**STEP 5**

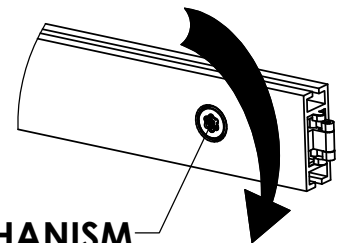
(GRAPHIC HEADER ATTACHMENT)

ATTACH HEADER INTO PREVIOUSLY INSTALLED HEADER BRACKETS. SIMPLY SLIDE IN AND FINGER TIGHTEN THUMB SCREWS.



INTERLOCK MECHANISM  
TURN TO LOCK  
REVERSE TO UNLOCK

DETAIL A  
(REVERSE ANGLE)



LOCKING MECHANISM  
FACES AWAY FROM  
FRONT OF THE DISPLAY  
SO NOT TO BE VISIBLE

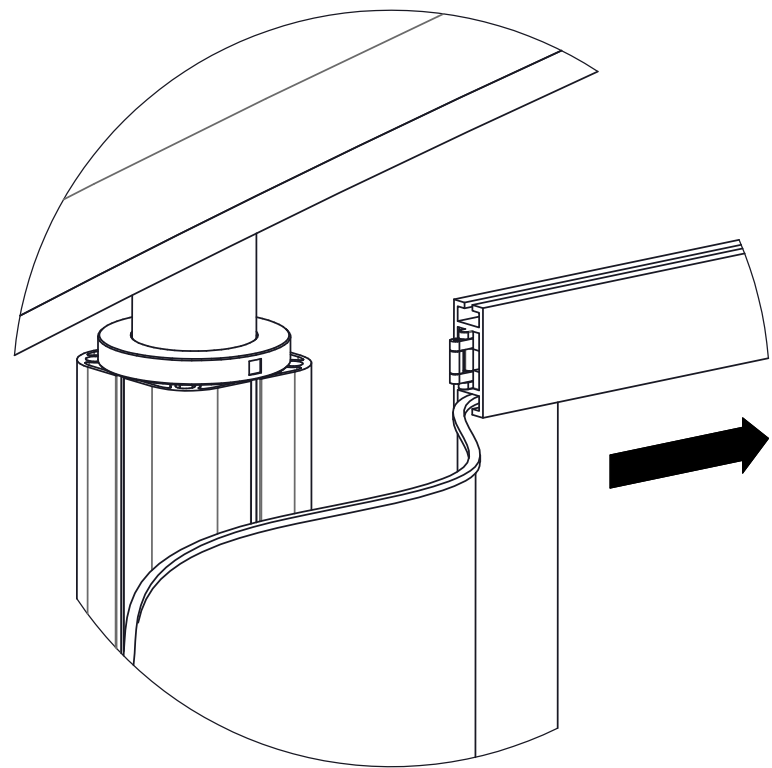
FINISH:	THIRD ANGLE PROJECTION	PROPERTY: THIS DOCUMENT AND DATA DISCLOSED HEREIN OR HEREWITH IS NOT TO BE REPRODUCED, USED, OR DISCLOSED IN WHOLE OR IN PART TO ANYONE WITHOUT PERMISSION OF NIEDO GROUP, INC.
MATERIAL:		
DIMENSIONS ARE IN MILLIMETERS	NIEDO GROUP, INC. 5465 SW WESTERN AVE. BEAVERTON, OR 97005	
TOLERANCES UNLESS OTHERWISE SPECIFIED	<b>Timberline Hybrid Monitor Displays Setup Instructions</b>	
REV B	DWG. NO.	REV -03
SCALE: NA	DO NOT SCALE DRAWING	SHEET 1

**TIMBERLINE HYBRID MONITOR DISPLAYS  
TL-MONITOR-xxxx**

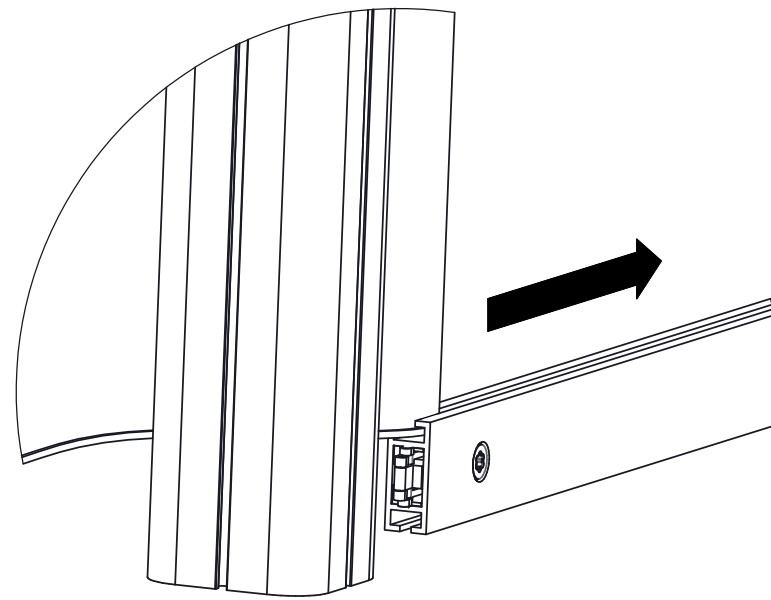
**GRAPHIC ATTACHMENT DETAILS**

**STEP 6**

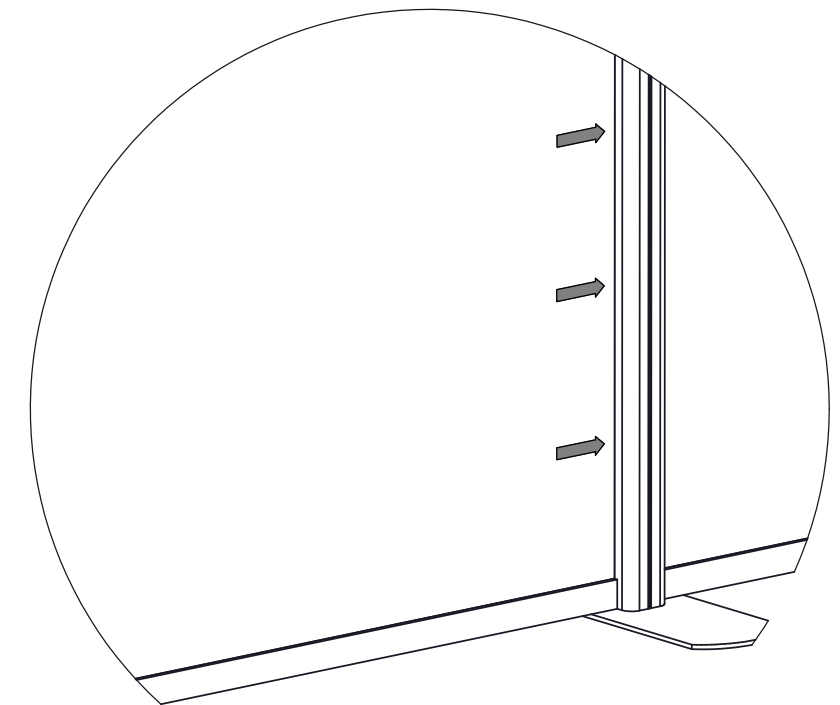
**GRAPHIC ATTACHMENT INSTRUCTION IS RELEVANT TO CENTER SPAN AND Z-4400 ENDS (SEE PAGE 2)**



**SLIDE GRAPHICS INTO BOTTOM CHANNEL OF TOP CENTER SPAN THEN CONNECT THE CENTER SPAN TO TIMBERLINE POSTS AT BOTH ENDS AS PER STEP 4**



**SLIDE GRAPHICS INTO TOP CHANNEL OF BOTTOM CENTER SPAN THEN CONNECT THE CENTER SPAN TO TIMBERLINE POSTS AT BOTH ENDS AS PER STEP 4**



**WHEN TOP AND BOTTOM CENTER SPANS ARE ATTACHED, THE GRAPHIC SIDES MAY BE TUCKED INTO THE VERTICAL CHANNELS OF THE TIMBERLINE POSTS ON BOTH SIDES**

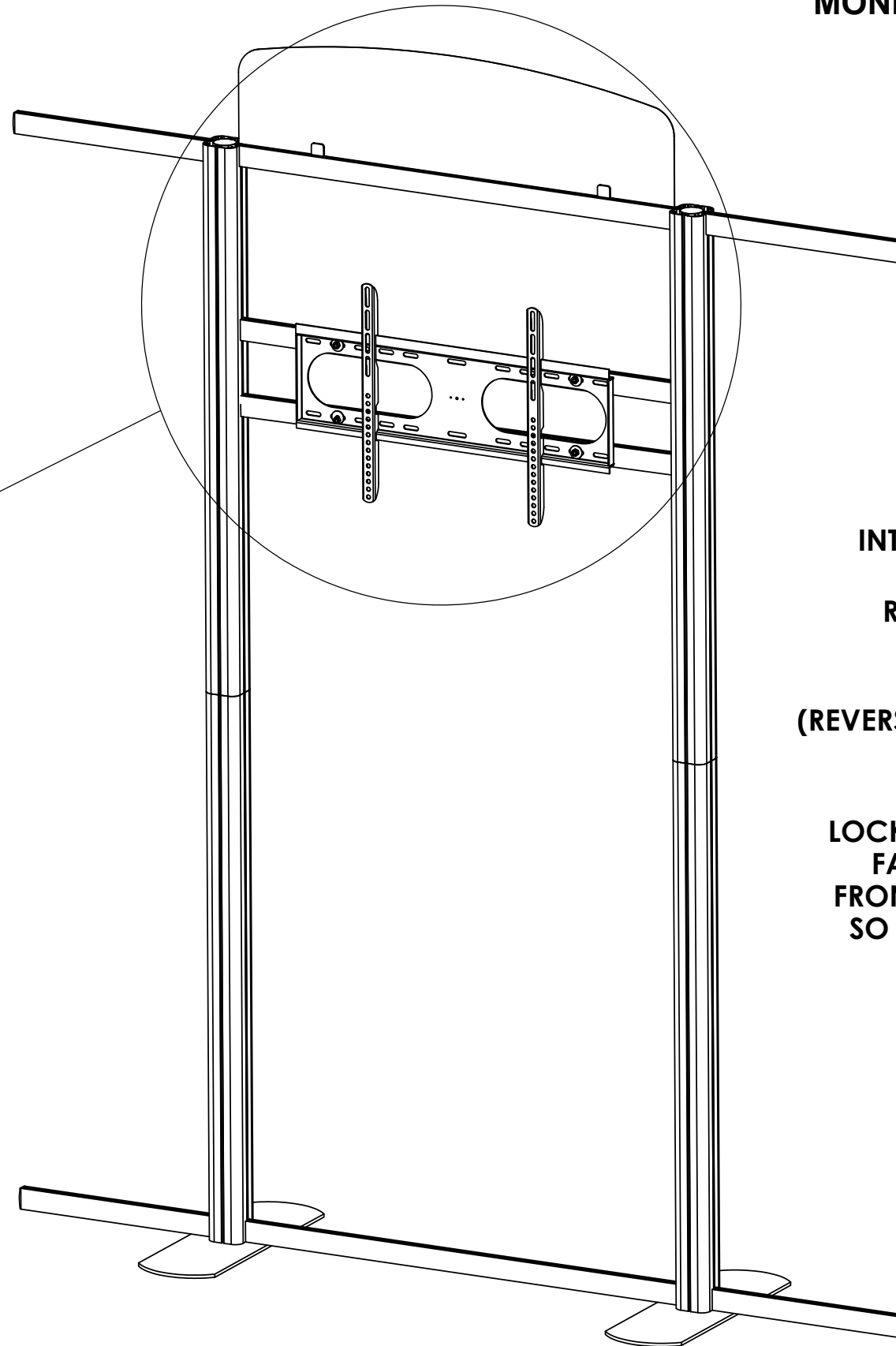
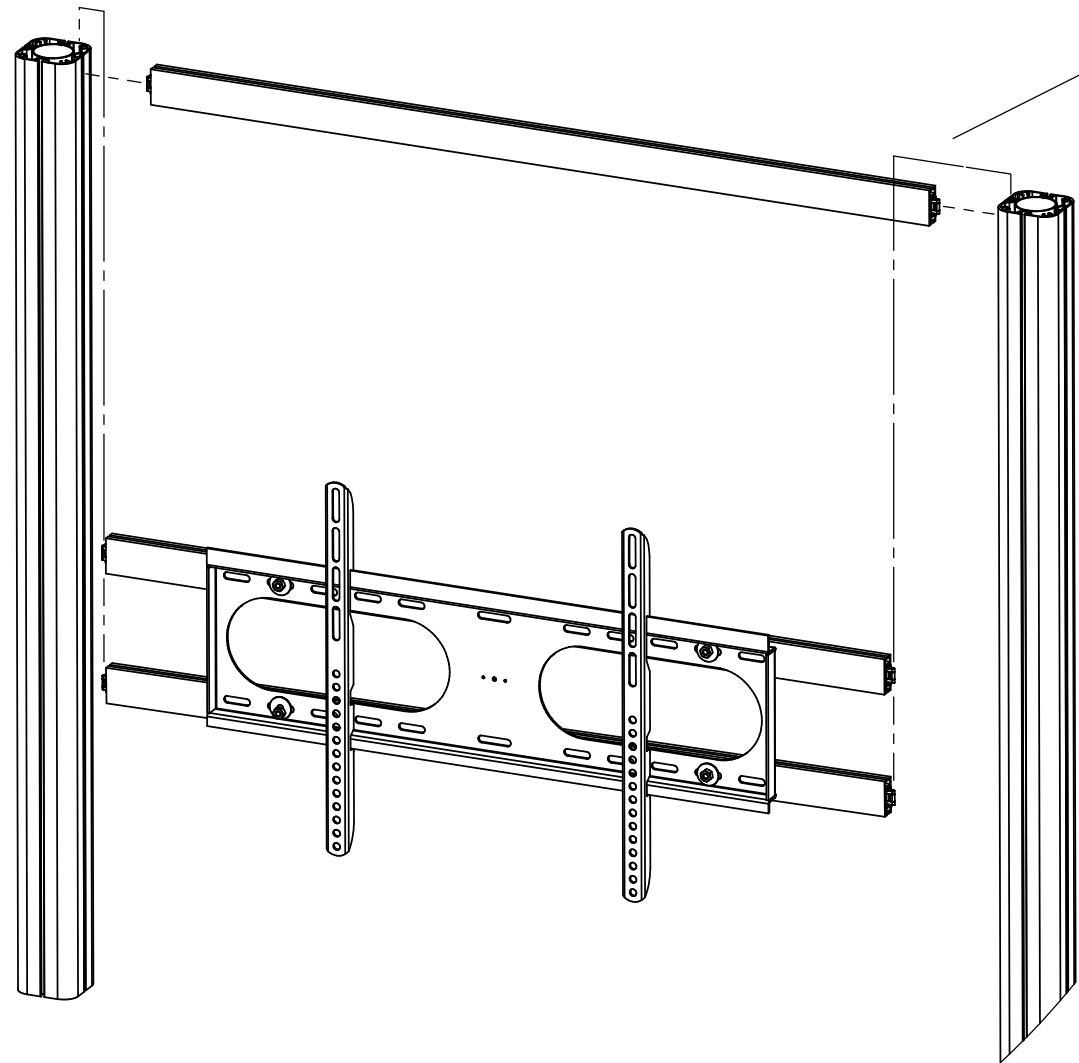
FINISH:	THIRD ANGLE PROJECTION	PROPERTY: THIS DOCUMENT AND DATA DISCLOSED HEREIN OR HEREWITH IS NOT TO BE REPRODUCED, USED, OR DISCLOSED IN WHOLE OR IN PART TO ANYONE WITHOUT PERMISSION OF NIEDO GROUP, INC.
MATERIAL:		
DIMENSIONS ARE IN MILLIMETERS		<b>NIEDO GROUP, INC.</b> 5465 SW WESTERN AVE. BEAVERTON, OR 97005
TOLERANCES UNLESS OTHERWISE SPECIFIED	TITLE: <b>Timberline Hybrid Monitor Displays Setup Instructions</b>	
SCALE:	DO NOT SCALE DRAWING	SHEET <b>6</b>
		REV: <b>01</b>

**TIMBERLINE HYBRID MONITOR DISPLAYS  
TL-MONITOR-XXXX**

**MONITOR MOUNT ATTACHMENT**

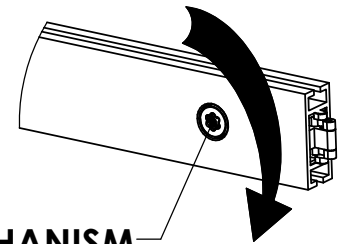
**STEP 7**

**SLIDE MONITOR MOUNT ASSEMBLY  
DOWNWARDS INTO TIMBERLINE POST  
CHANNEL TO THE DESIRED HEIGHT AND  
TIGHTEN ADJUSTER/LOCKS AS IN DETAIL A  
TO SECURE THE MONITOR MOUNT. BE SURE  
TO RE-ATTACH TOP CENTER SPAN AND  
LOCK IN PLACE AS IN DETAIL A.**



**INTERLOCK MECHANISM  
TURN TO LOCK  
REVERSE TO UNLOCK**

**DETAIL A  
(REVERSE ANGLE)**



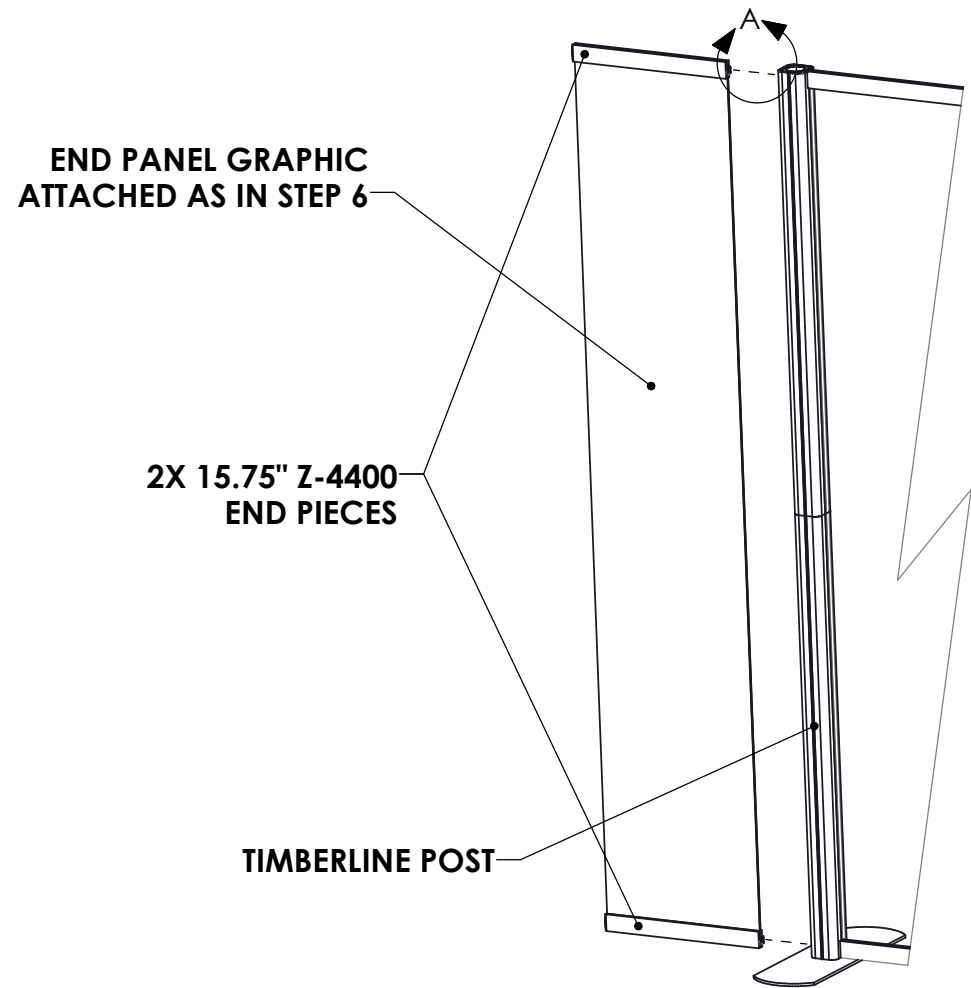
**LOCKING MECHANISM  
FACES AWAY FROM  
FRONT OF THE DISPLAY  
SO NOT TO BE VISIBLE**

FINISH:	THIRD ANGLE PROJECTION	PROPRIETARY THIS DOCUMENT AND DATA DISCLOSED HEREIN OR HEREWITH IS NOT TO BE REPRODUCED, USED, OR DISCLOSED IN WHOLE OR IN PART TO ANYONE WITHOUT PERMISSION OF NIEDO GROUP, INC.
MATERIAL:		
DIMENSIONS ARE IN MILLIMETERS	<b>NIEDO GROUP, INC.</b> 5465 SW WESTERN AVE. BEAVERTON, OR 97005	
TOLERANCES UNLESS OTHERWISE SPECIFIED	<b>Timberline Hybrid Monitor Displays Setup Instructions</b>	
SIZE: <b>B</b>	DWG. NO.:	REV: <b>-01</b>
SCALE: NA	DO NOT SCALE DRAWING	SHEET <b>1</b>

**TIMBERLINE HYBRID MONITOR DISPLAYS  
TL-MONITOR-xxxx**

**GRAPHIC SIDE ATTACHMENTS**

**TIMBERLINE STRAIGHT END  
PANELS ARE ATTACHED WITH  
2X 15.75" Z-4400 EXTRUSIONS  
AND INTERLOCK MECHANISM  
AS SHOWN IN DETAIL A**

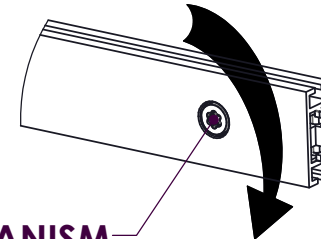


**STRAIGHT SIDES ASSEMBLY DETAIL**

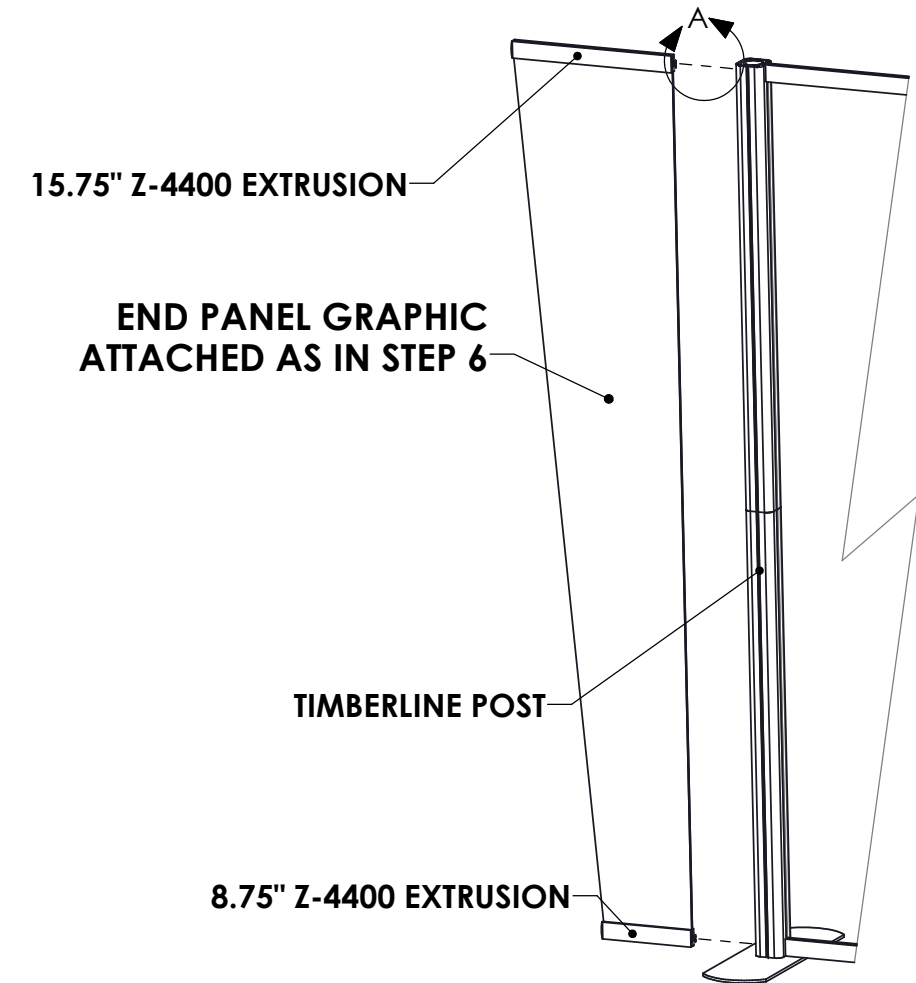
**INTERLOCK MECHANISM  
TURN TO LOCK  
REVERSE TO UNLOCK**

**DETAIL A  
(REVERSE ANGLE)**

**LOCKING MECHANISM  
FACES AWAY FROM  
FRONT OF THE DISPLAY  
SO NOT TO BE VISIBLE**



**TIMBERLINE TAPERED END PANELS  
ARE ATTACHED WITH 1X 15.75" Z-  
4400 EXTRUSION AT THE TOP AND  
1X 8.75" Z-4400 AT BOTTOM. BOTH  
EXTRUSIONS ARE FASTENED TO  
POST USING THE INTERLOCK  
MECHANISM SHOWN IN DETAIL A**

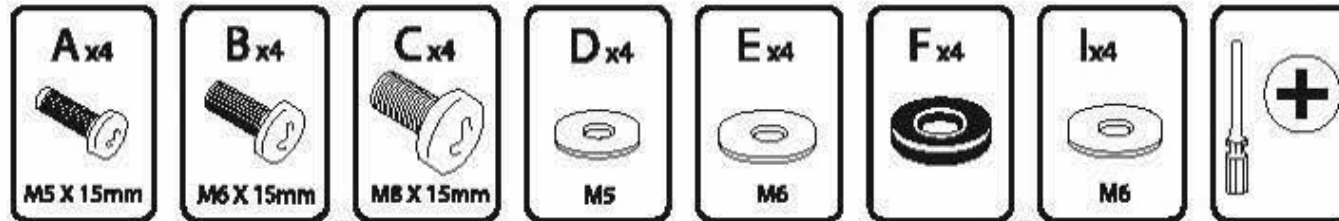


**TAPERED SIDES ASSEMBLY DETAIL**

FINISH:	THIRD ANGLE PROJECTION	PROPERTY: THIS DOCUMENT AND DATA DISCLOSED HEREIN OR HEREWITH IS NOT TO BE REPRODUCED, USED, OR DISCLOSED IN WHOLE OR IN PART TO ANYONE WITHOUT PERMISSION OF NIEDO GROUP, INC.
MATERIAL:		
DIMENSIONS ARE IN MILLIMETERS		<b>NIEDO GROUP, INC.</b> 5465 SW WESTERN AVE. BEAVERTON, OR 97005
TOLERANCES UNLESS OTHERWISE SPECIFIED	TITLE	<b>Timberline Hybrid Monitor Displays Setup Instructions</b>
SCALE:	DO NOT SCALE DRAWING	SHEET
		REV <b>01</b>

# TL1007 Monitor Mount for 30-50 LCD

**Each Kit includes: 1 monitor mount w/ bars attached, 12 screws & 16 washers**

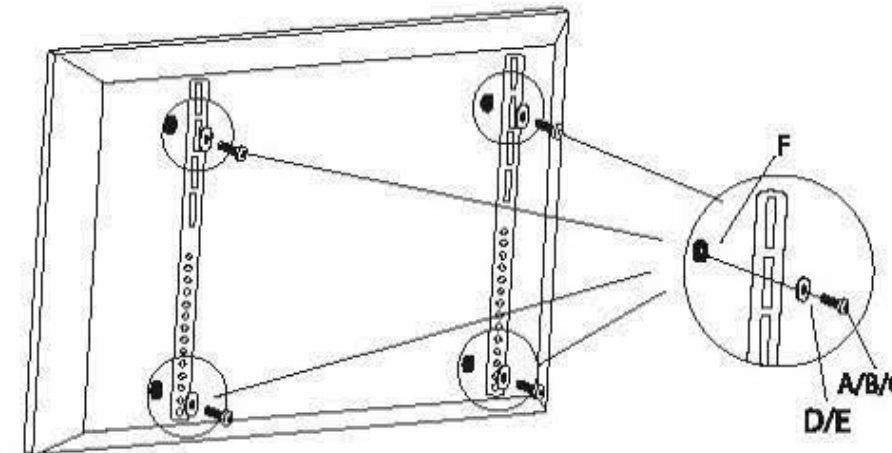


**Safety Warning:** Be careful to make sure there are no missing or defective parts. Never use defective parts. Improper installation may cause damage or serious injury.

**STEP  
1**

## Installing bars to your LCD monitor

- 1) To ensure optimal installation, this kit includes various screws of different diameters and lengths.
- 2) Place your TV screen down on a soft, flat surface and locate the threaded mounting points that are located on the back of the display.
- 3) Determine which screw (A/B/C) is of the correct length by carefully inserting a straw or toothpick and mark how deep the mounting point is.
- 4) If your display has a curved back or a recessed thread mounting point, a spacer (F) must be used.
- 5) Place the spacer (F) between the mounting bracket and display.
- 6) According to the size of the display's hole, choose the corresponding screw and hole on the rectangle washer, then thread them in line.



### Notice:

First, if the TV back is accurate you will need to use (F), if it's flat that is unnecessary. Second, the choice of screw (A/B/C) should be according to the size and depth of the install aperture in the back of the TV.

