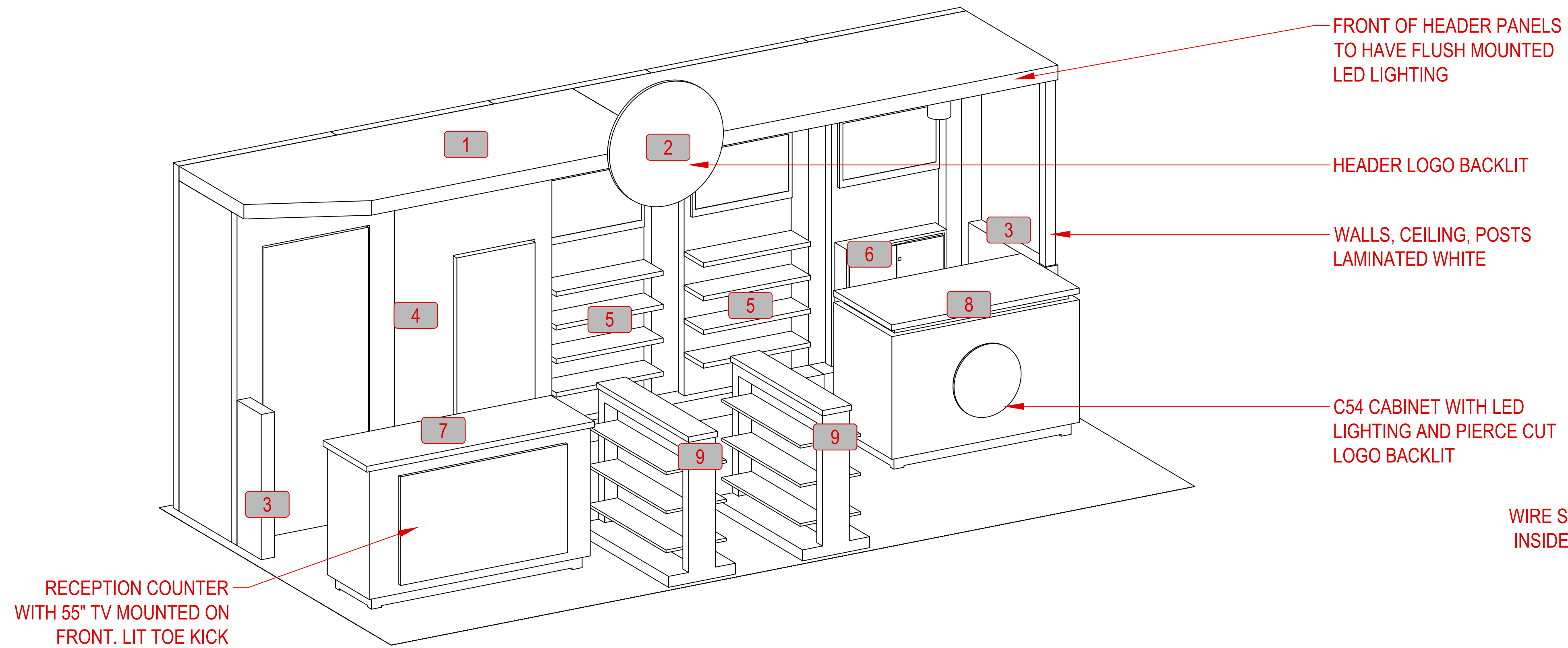
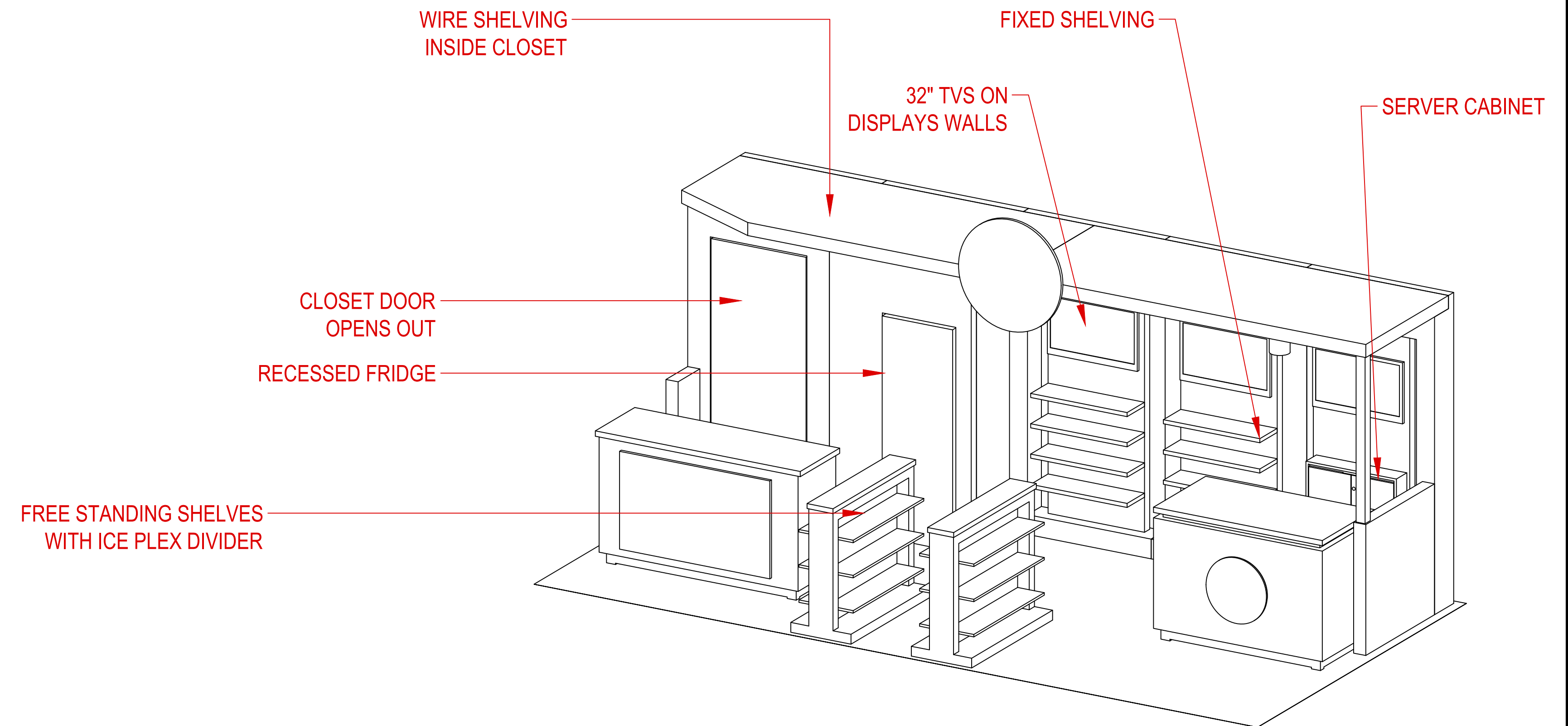


## BOOTH LEDGER

LABEL#	DESCRIPTION
1	CEILING
2	LOGO SIGN
3	WING WALL
4	CLOSET / BACK WALL
5	DISPLAY WALL
6	SERVER CABINET
7	RECEPTION
8	C54 COUNTER
9	FREE STANDING SHELF

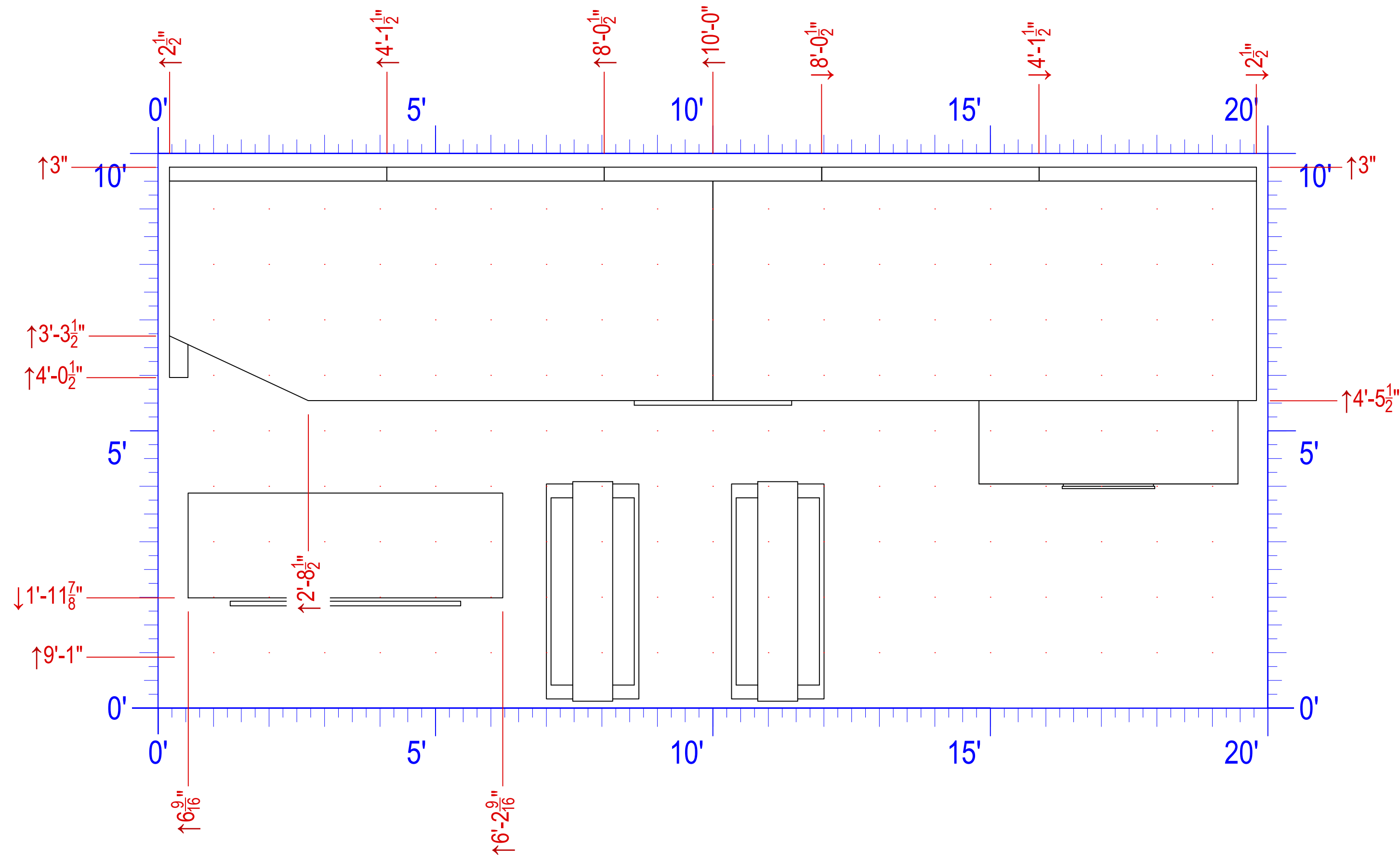


1 CS - ISO VIEW  
N.T.S.

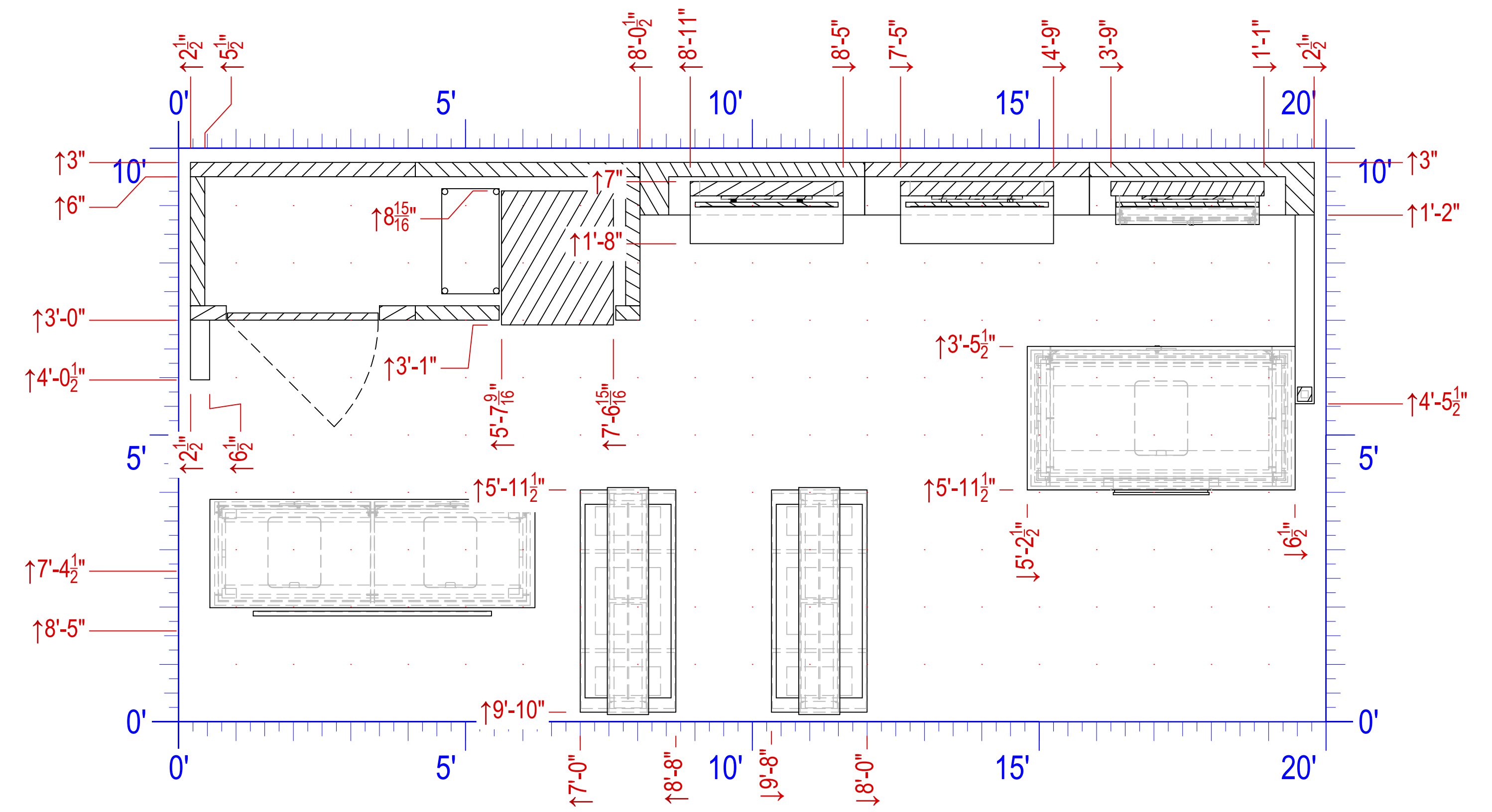


2 CS - ISO VIEW  
N.T.S.

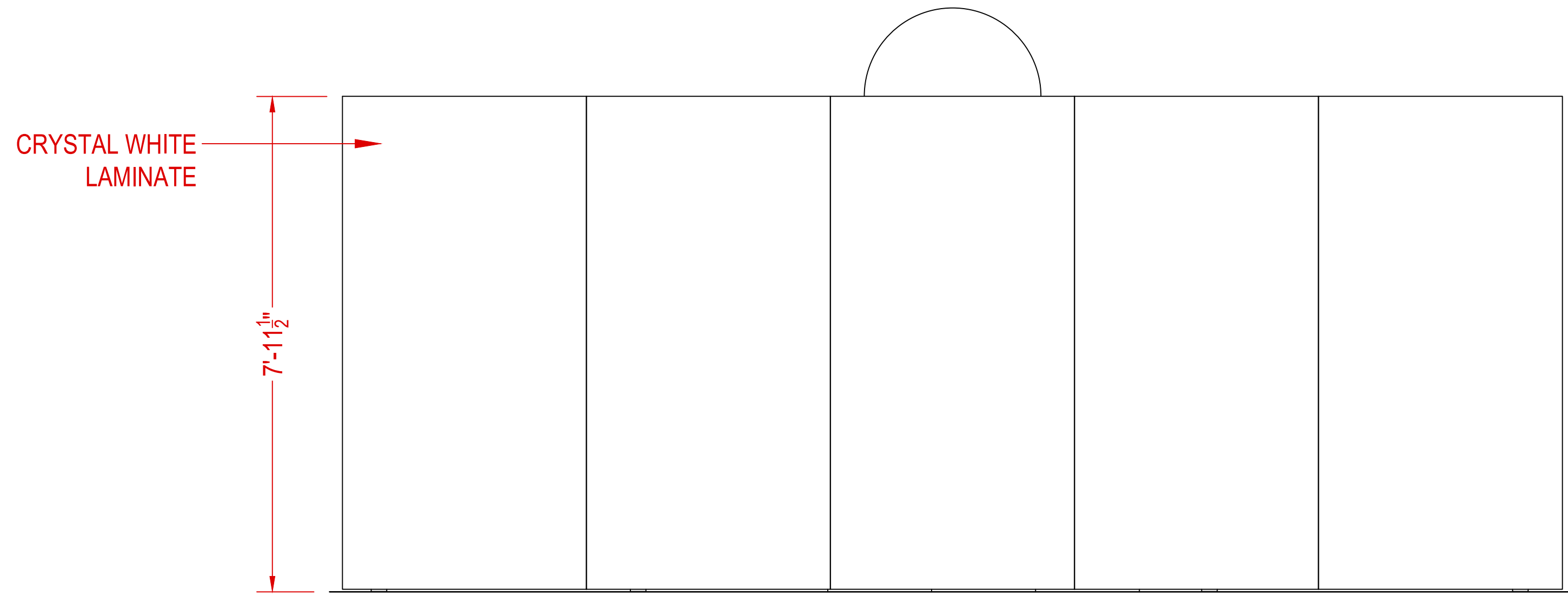
A A



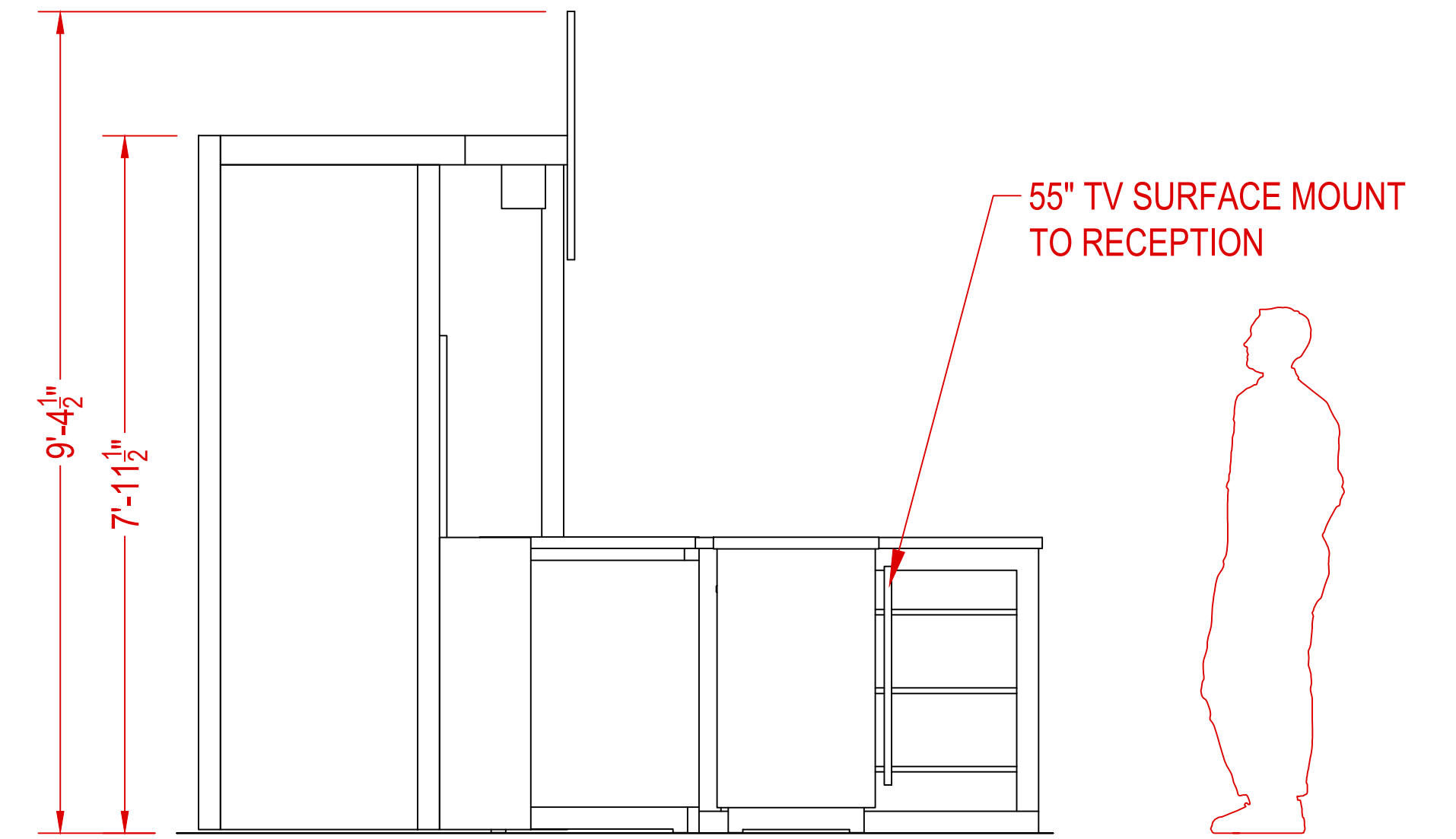
1 S.1 - PLAN VIEW  
N.T.S.



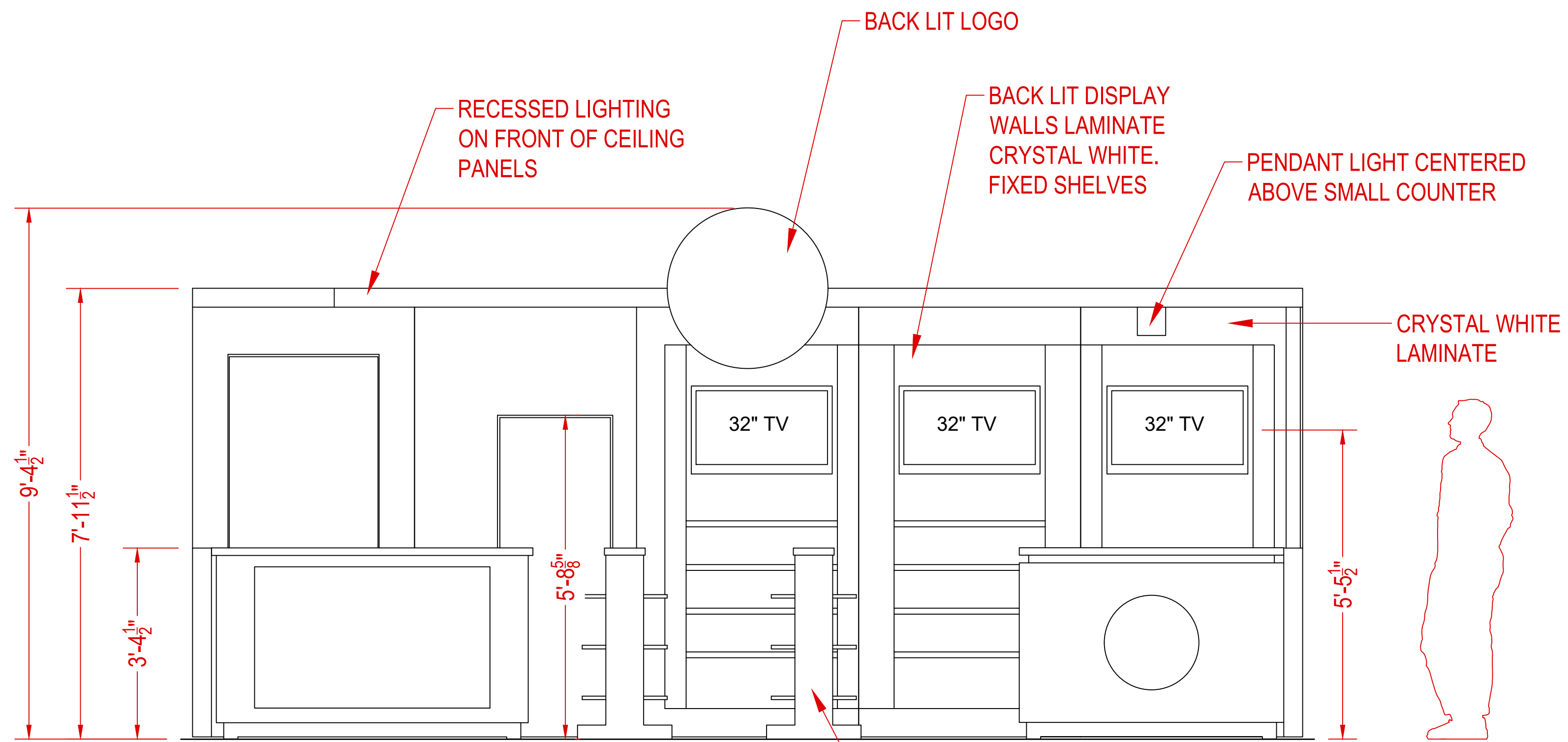
2 S.1 - SECTION VIEW  
N.T.S.



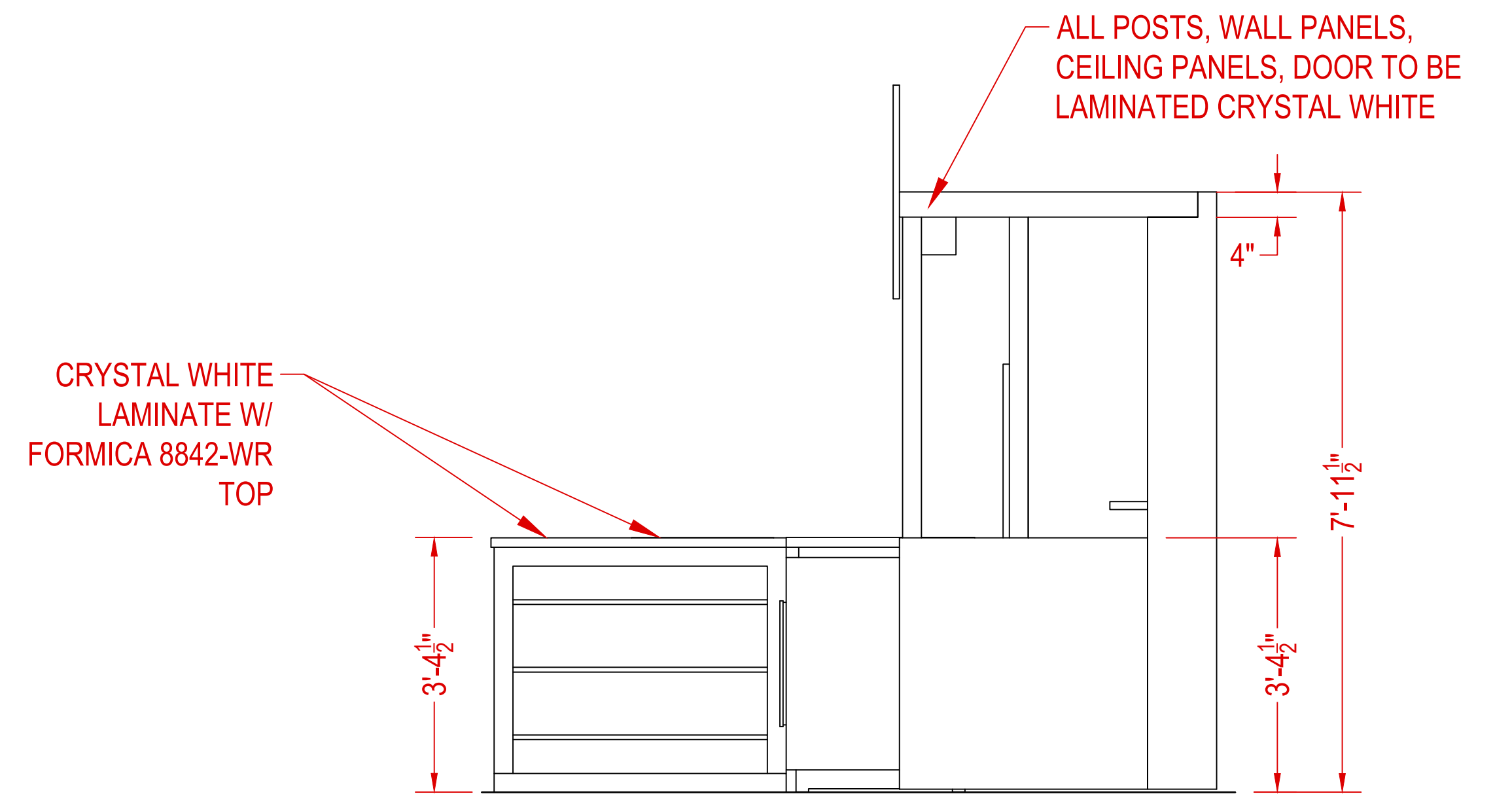
1 S.2 - BACK VIEW  
N.T.S.



2 S.2 - LEFT VIEW  
N.T.S.

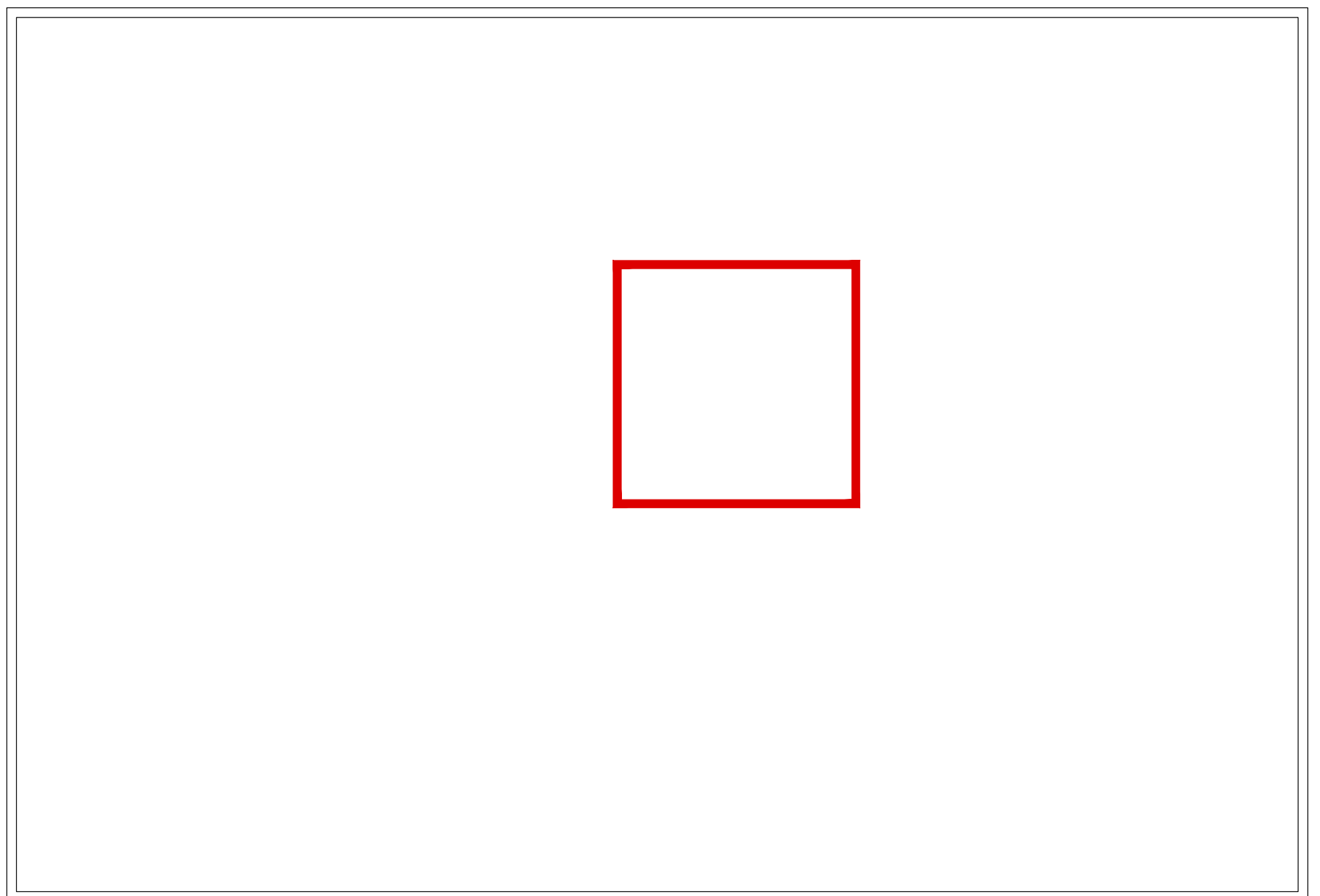
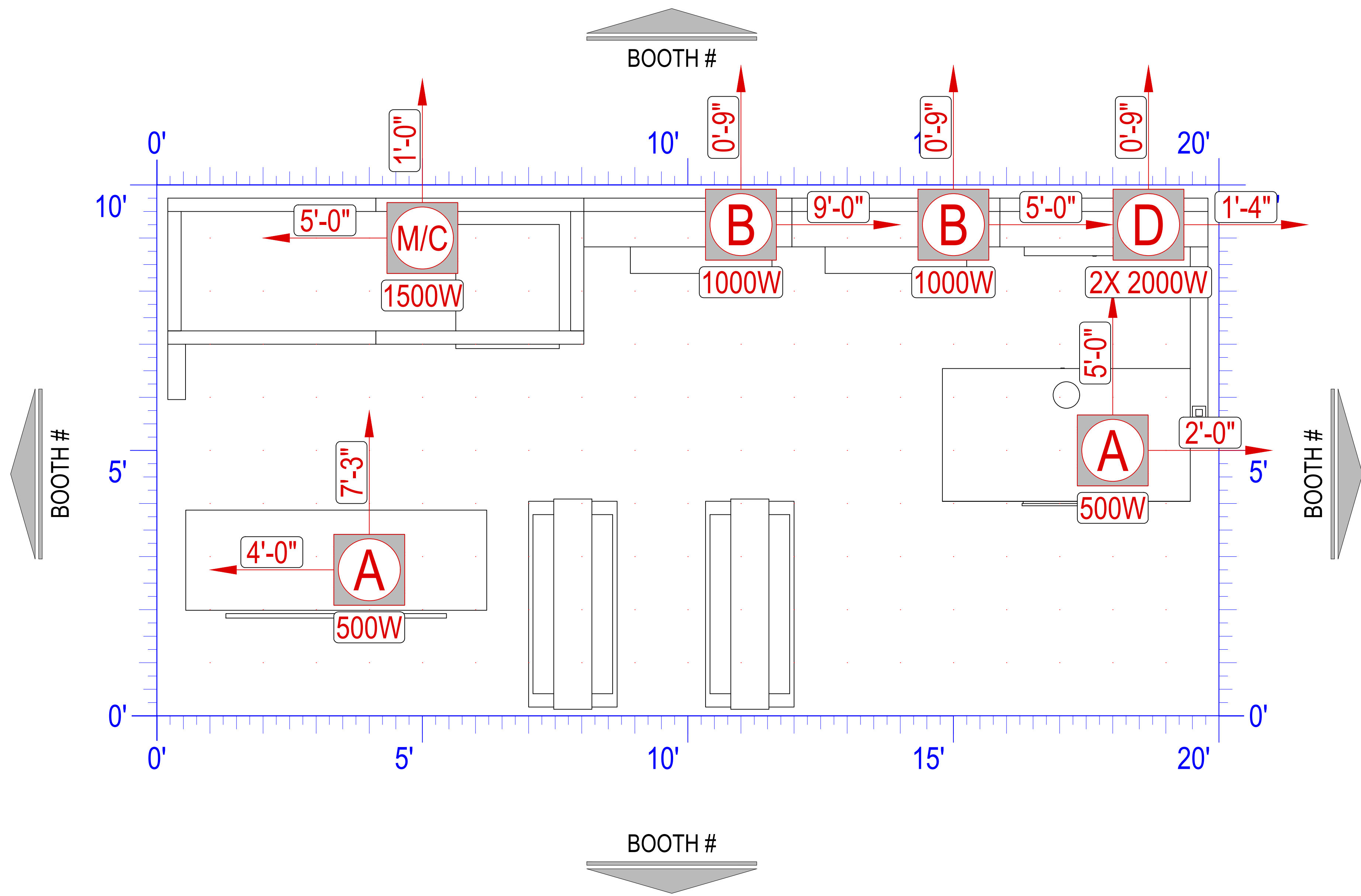


3 S.2 - FRONT VIEW  
N.T.S.



4 S.2 - RIGHT VIEW  
N.T.S.

ELECTRICAL LEGEND		
SYMBOL	DESCRIPTON	QTY
<b>A</b>	500 WATTS	2
<b>B</b>	1000 WATTS	2
<b>C</b>	1500 WATTS	1
<b>D</b>	2000 WATTS	2
<b>M</b>	MAIN DROP	1



**BOOTH MAP**