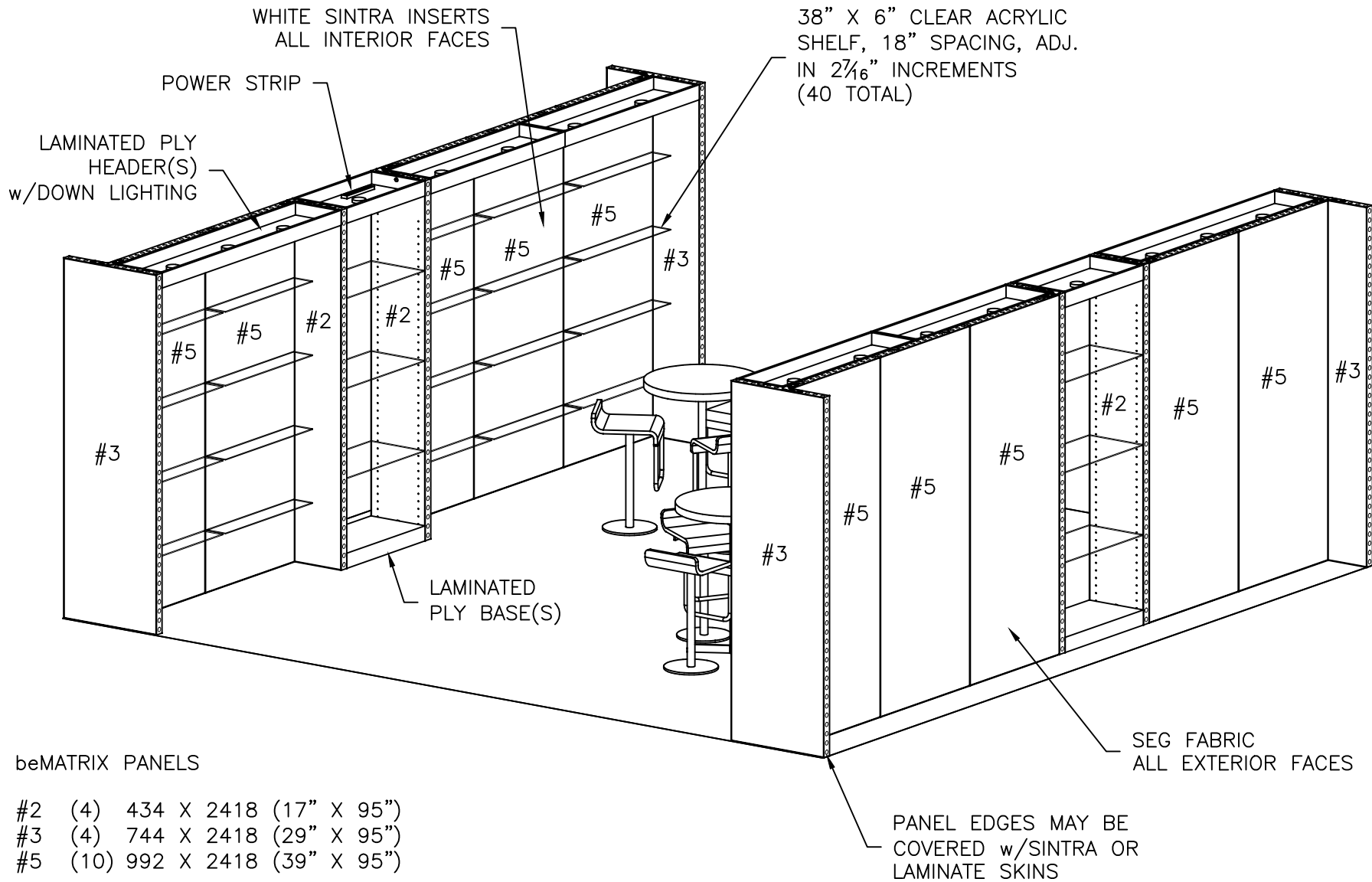
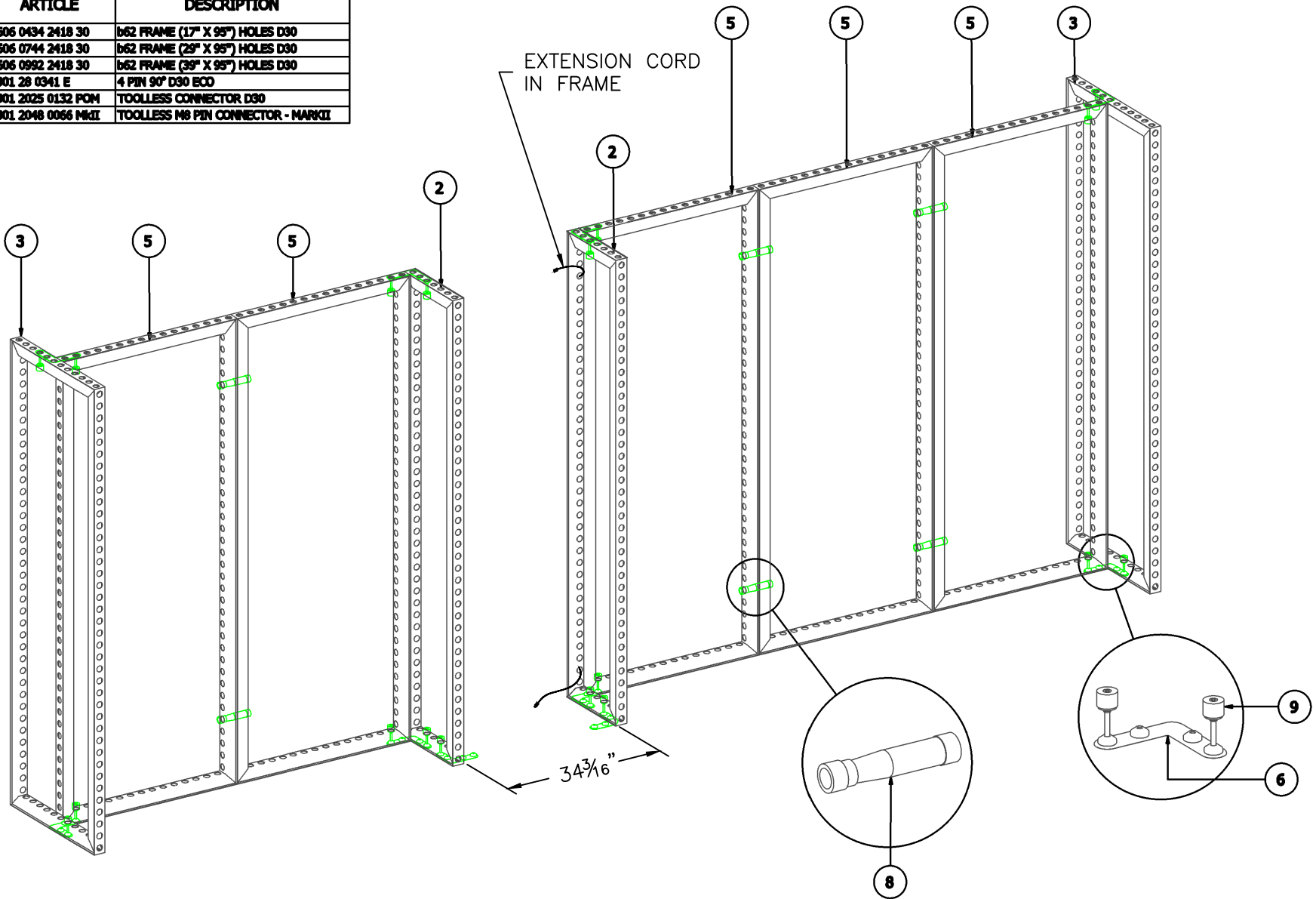


NOTE: ALL 'INCH' DIMENSIONS ARE NOMINAL



PARTS LIST (per wall shown)

ITEM	QTY	ARTICLE	DESCRIPTION
2	2	606 0434 2418 30	b62 FRAME (17" X 95") HOLES D30
3	2	606 0744 2418 30	b62 FRAME (29" X 95") HOLES D30
5	5	606 0992 2418 30	b62 FRAME (39" X 95") HOLES D30
6	10	901 28 0341 E	4 PIN 90° D30 ECO
8	6	901 2025 0132 POM	TOOLLESS CONNECTOR D30
9	18	901 2048 0066 MKII	TOOLLESS M6 PIN CONNECTOR - MARKII



- 1) ASSEMBLE beMATRIX FRAMES (SEE PG. 3)
- 2) INSTALL WHITE SINTRA INSERTS ON INTERIOR FACES OF beMATRIX FRAMES
- 3) INSTALL LIGHTED HEADERS. TWO-PIECE HEADER SHOULD BE ASSEMBLED ON FLOOR BEFORE ATTACHMENT TO beMATRIX FRAMES.
- 4) INSTALL BASE.
- 5) INSTALL SILICONE EDGED FABRIC GRAPHICS ON EXTERIOR FACES OF beMATRIX FRAMES.
- 6) INSTALL SHELF BRACKETS, SHELF PINS AND SHELVES.

