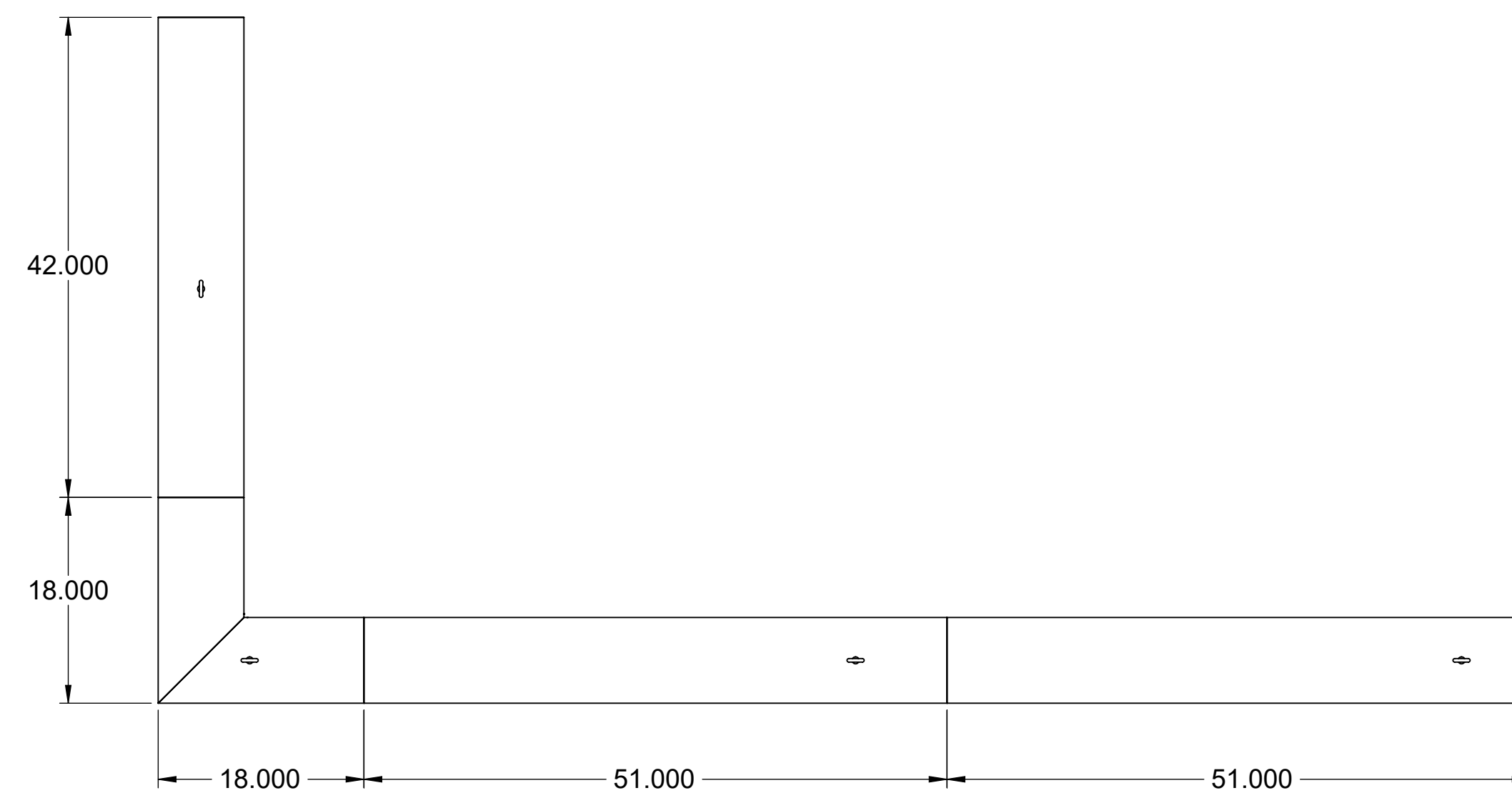
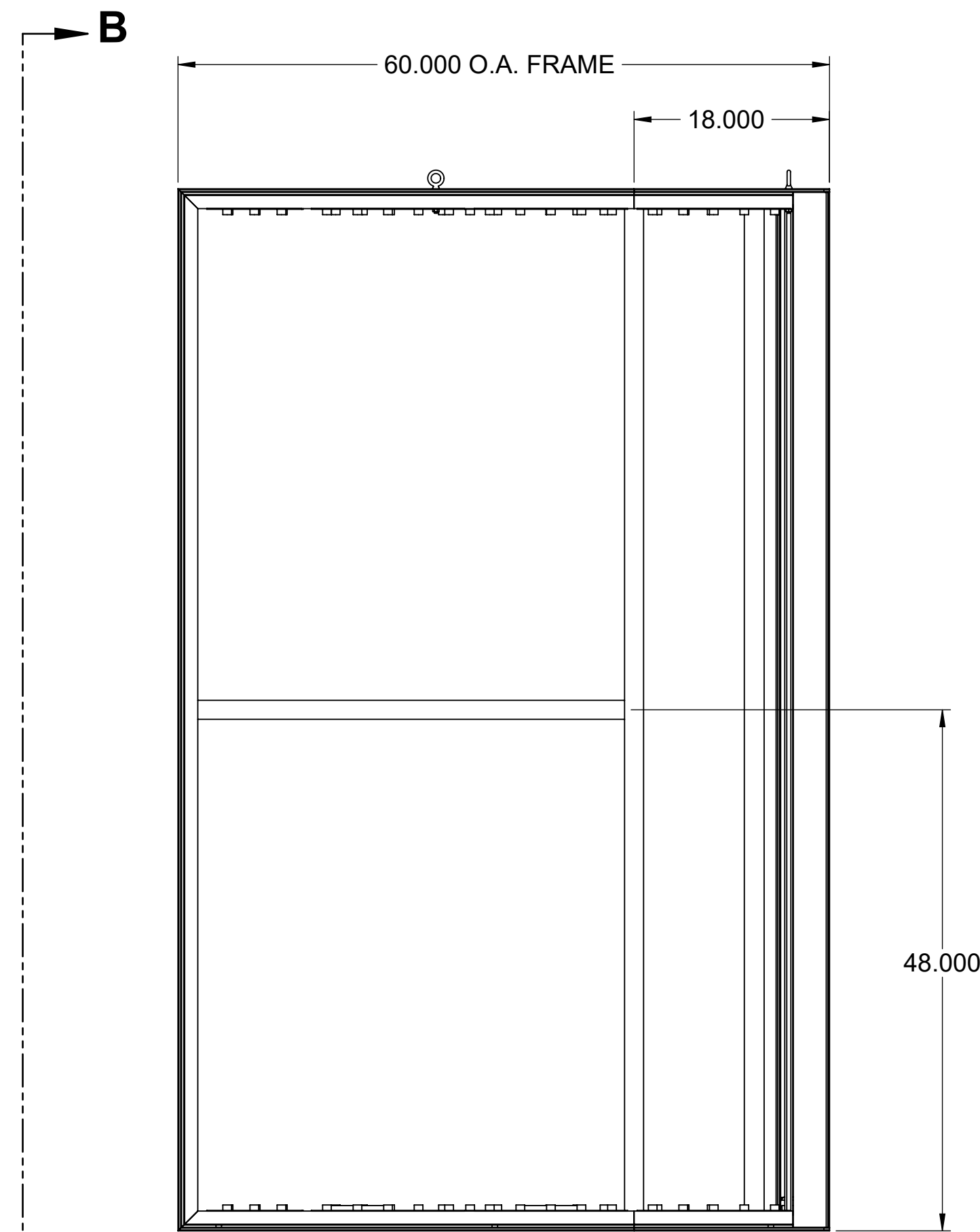


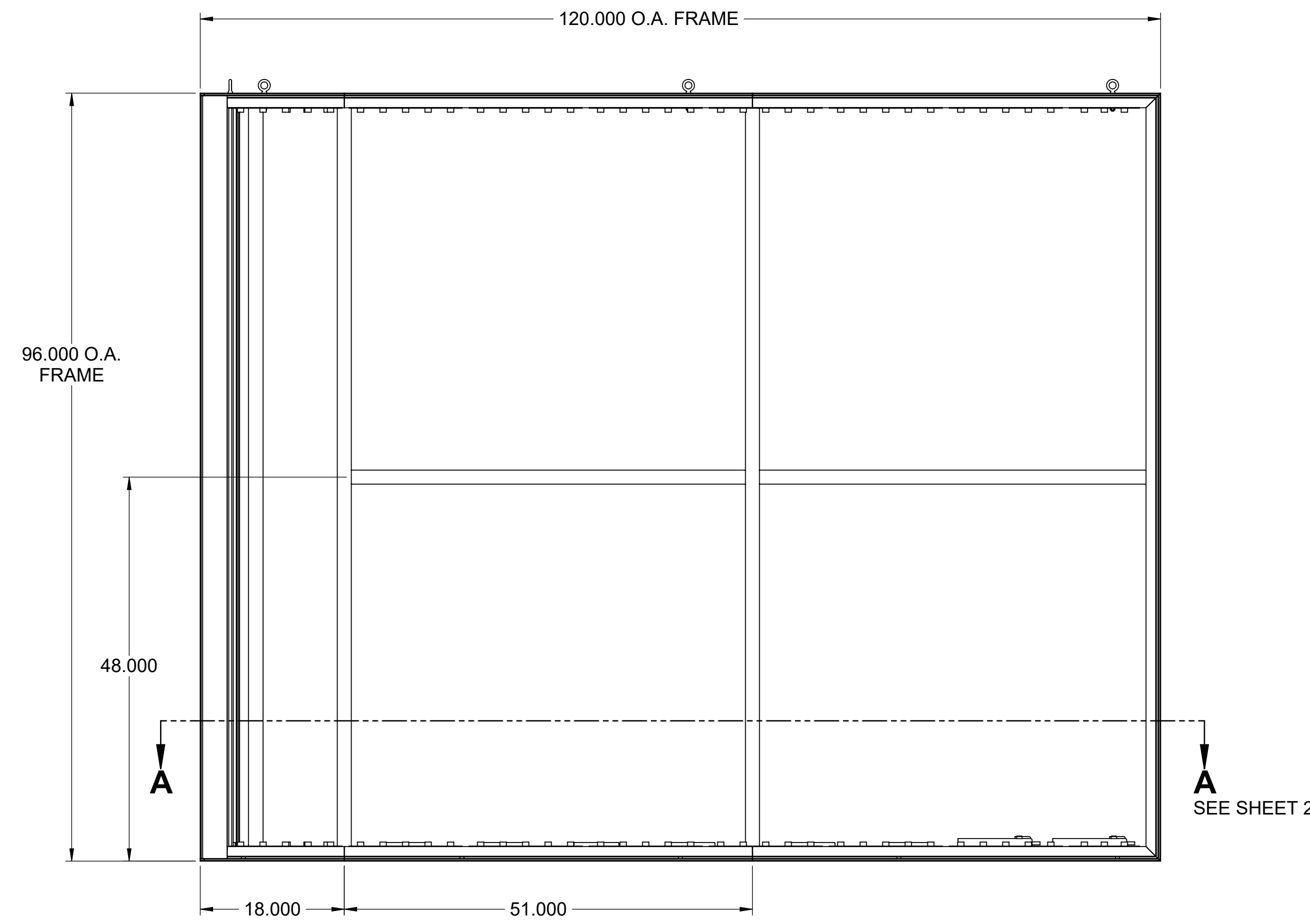
BILL OF MATERIALS				
ITEM NO.	PART NUMBER	DESCRIPTION	QTY.	
1	73747-03-01	120"W X 96"H ES FRAME	1	
2	73747-03-02	FABRIC	1	
3	73747-03-03	FABRIC	1	
4	73747-03-04	FABRIC	1	
5	73747-03-05	FABRIC	1	
6	FAB14002	EYEBOLT 0.3125-18 X 2.25	4	
7	FAB90385	FLANGE HNUT 0.3125-18-GD8-ZN	4	
8	FAB17020	OEM TECTONICS 5 NODE LED STRIP	32	
9	FAB17021	OEM TECTONICS 3 NODE LED STRIP	18	
10	FAB17013	24V 90W POWER SUPPLY	8	
11	FAB27007	6 OUTLET SURGE PROTECTOR	2	
12	HD IL 07	SPLICE LOCK	6	
13	HD CL 06	CORNER LOCK	4	
14	HD SL 01	STRAIGHT LOCK	12	



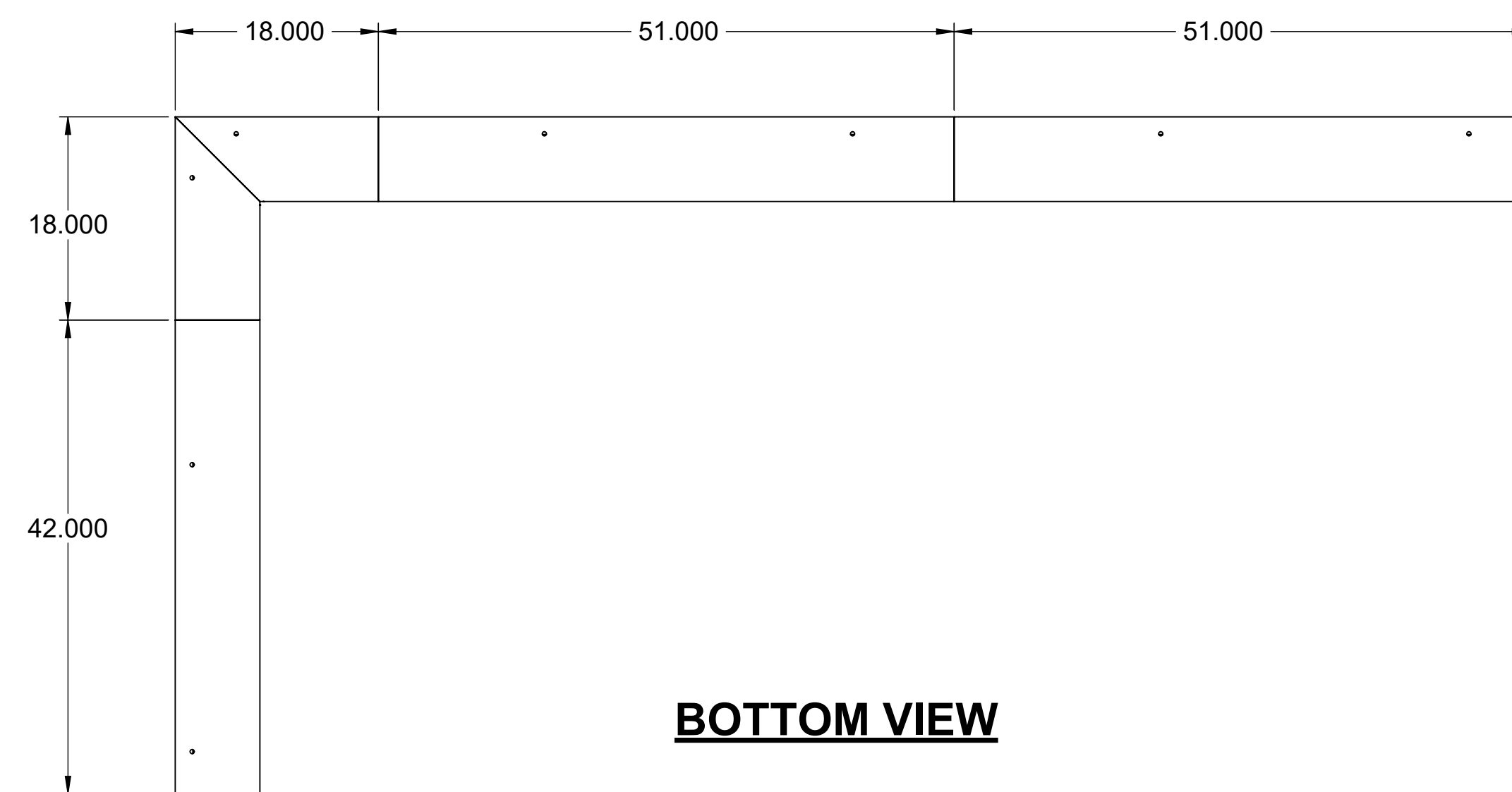
TOP VIEW



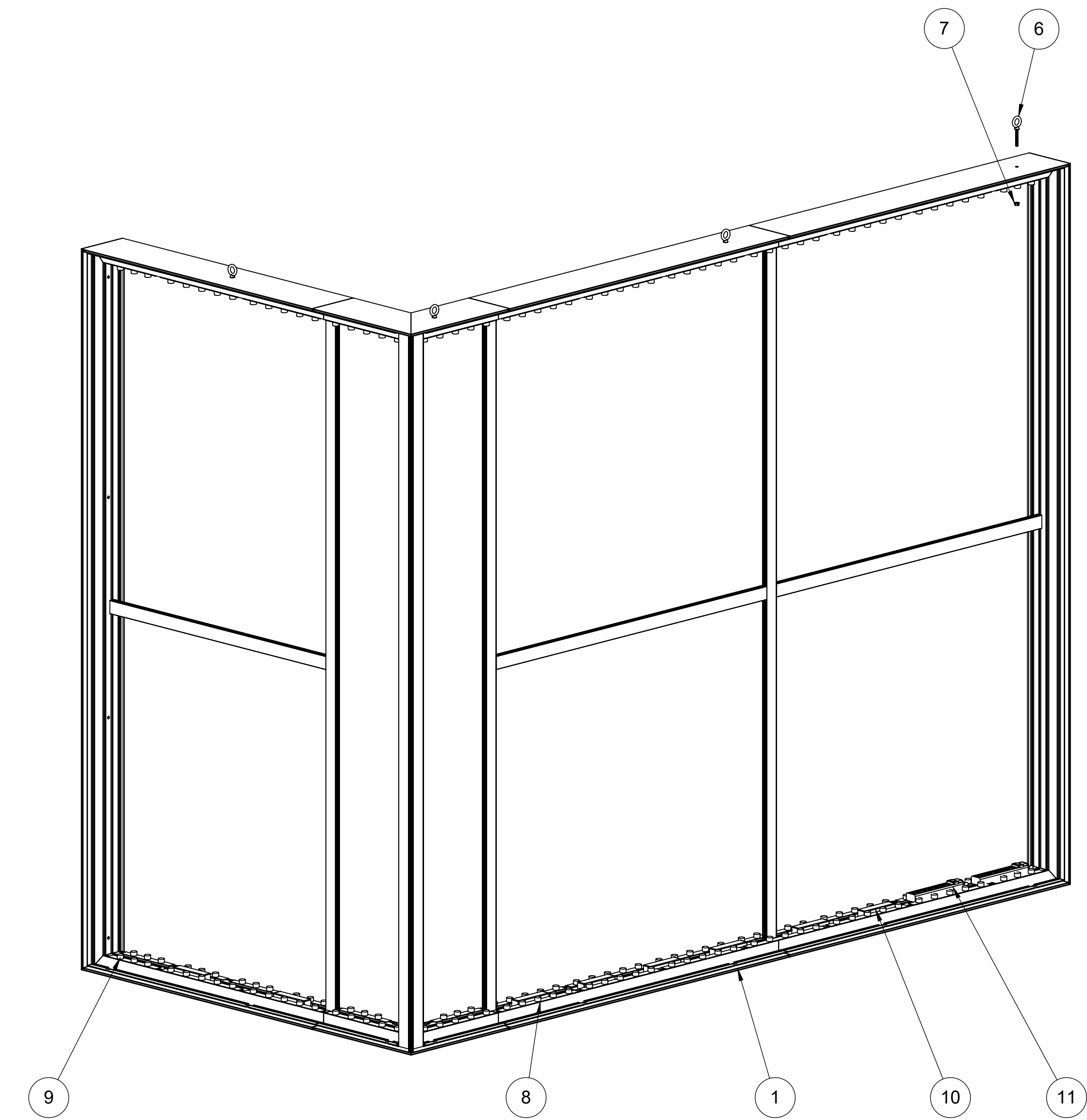
SIDE VIEW



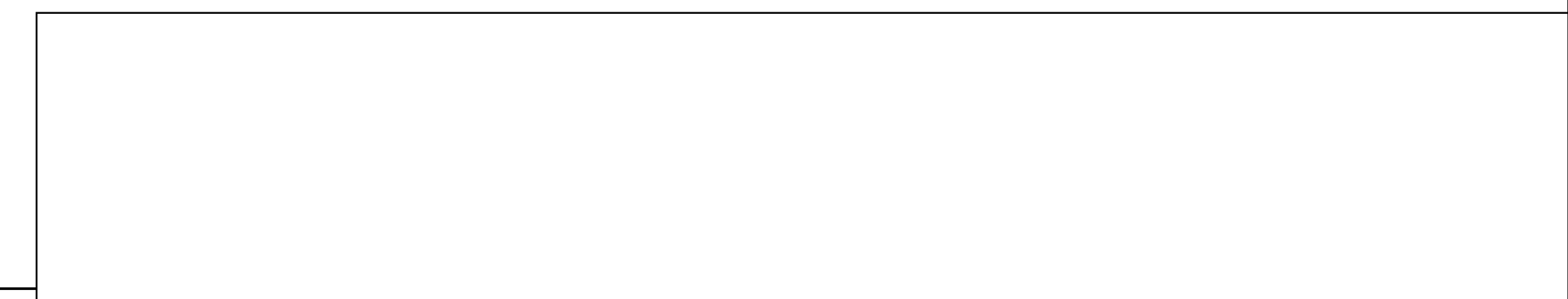
FRONT VIEW



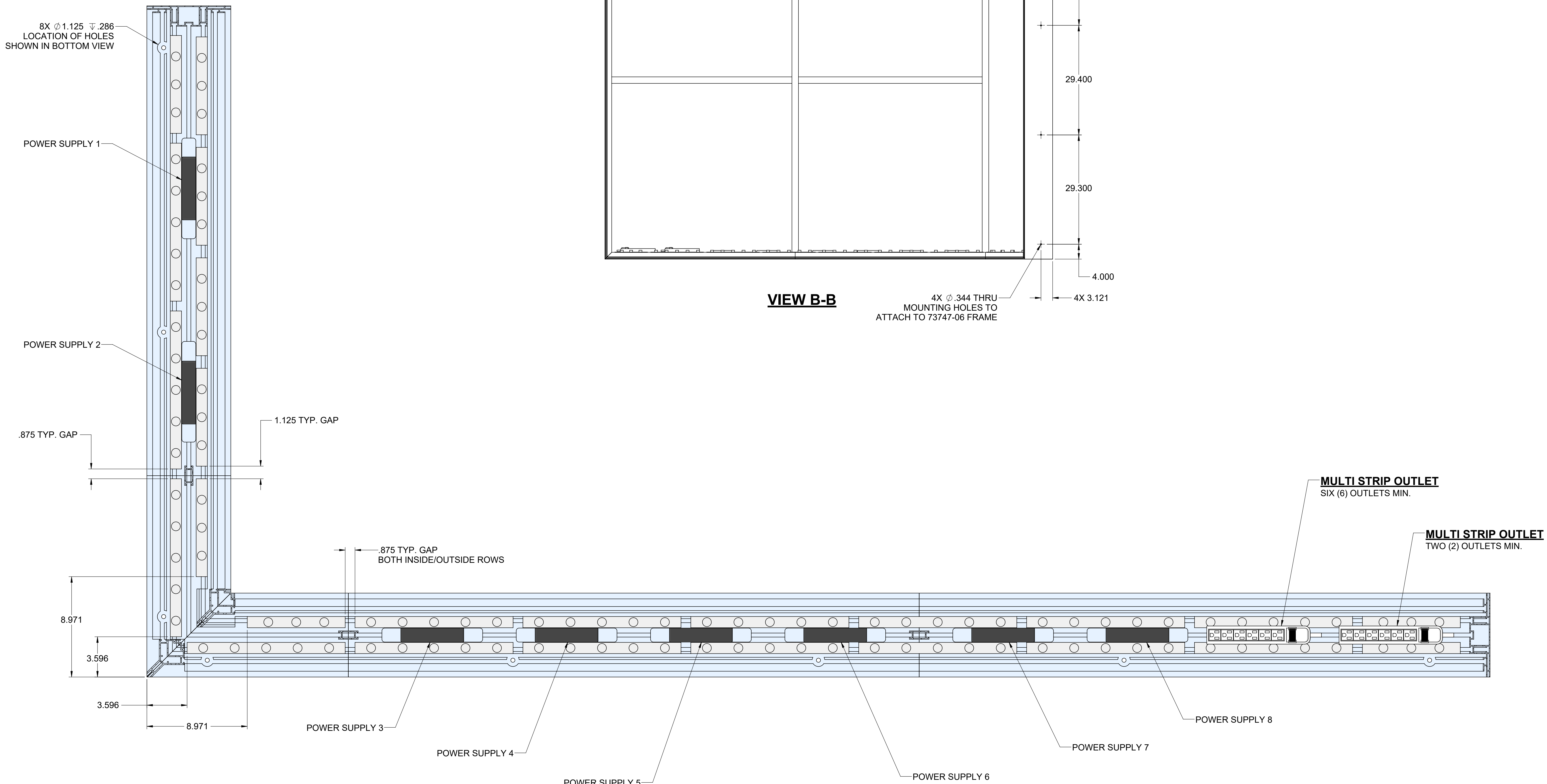
BOTTOM VIEW



ISOMETRIC VIEW



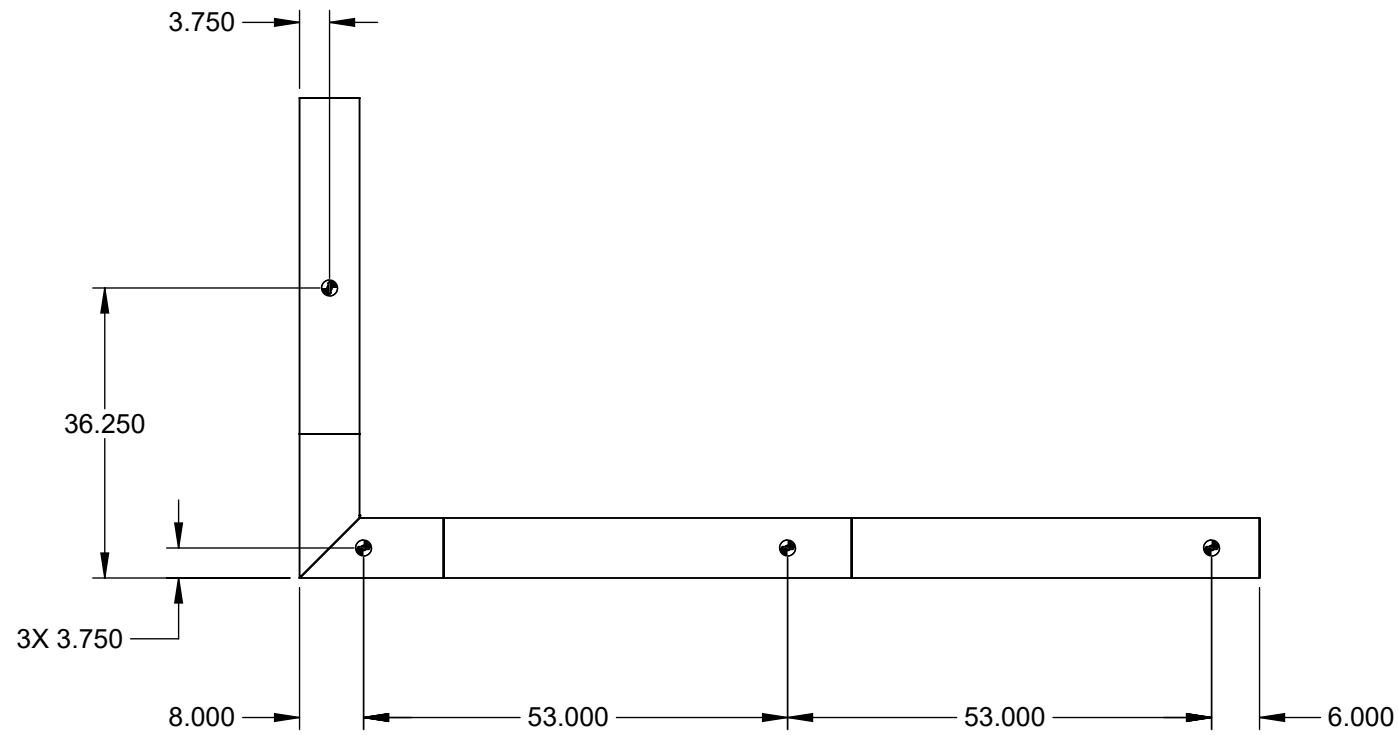
BILL OF MATERIALS			
ITEM NO.	PART NUMBER	DESCRIPTION	QTY.
1	73747-03-01	120"W X 96"H ES FRAME	1
2	73747-03-02	FABRIC	1
3	73747-03-03	FABRIC	1
4	73747-03-04	FABRIC	1
5	73747-03-05	FABRIC	1
6	FAB14002	EYEBOLT 0.3125-18 X 2.25	4
7	FAB90385	FLANGE HNUT 0.3125-18-GD8-ZN	4
8	FAB17020	OEM TECTONICS 5 NODE LED STRIP	32
9	FAB17021	OEM TECTONICS 3 NODE LED STRIP	18
10	FAB17013	24V 90W POWER SUPPLY	8
11	FAB27007	6 OUTLET SURGE PROTECTOR	2
12	HD IL 07	SPLICE LOCK	6
13	HD CL 06	CORNER LOCK	4
14	HD SL 01	STRAIGHT LOCK	12



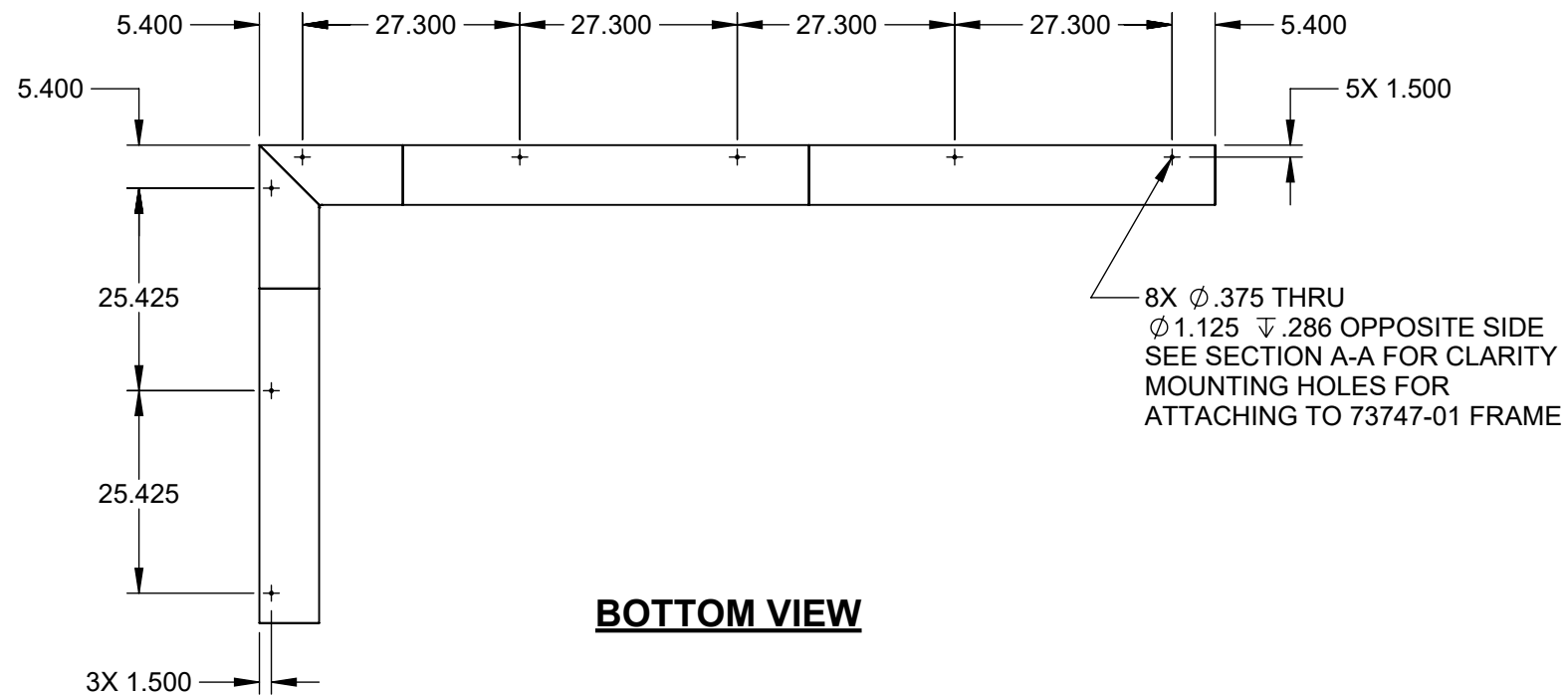
**SECTION A-A
LIGHTING CONFIGURATION TYP
BOTTOM FRAME AND TOP FRAME**
SCALE_1 : 4

BILL OF MATERIALS

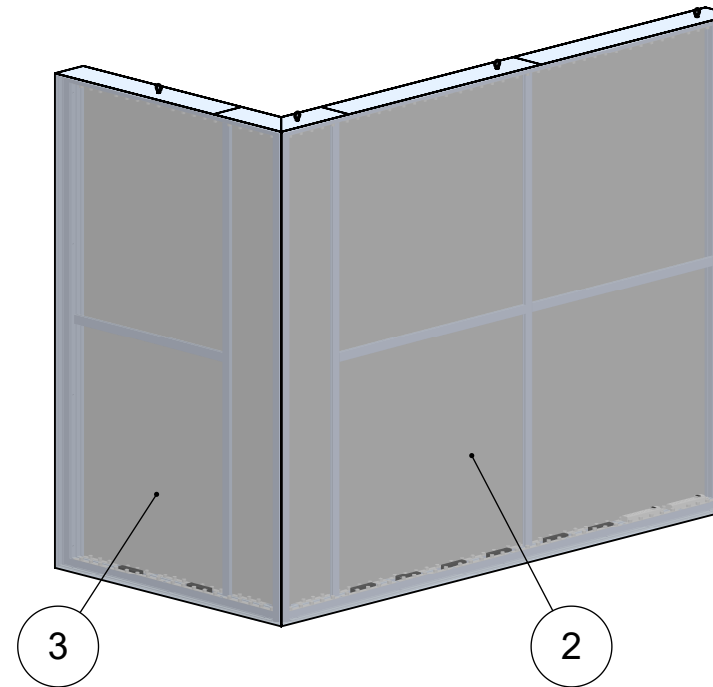
ITEM NO.	PART NUMBER	DESCRIPTION	QTY.
1	73747-03-01	120"W X 96"H ES FRAME	1
2	73747-03-02	FABRIC	1
3	73747-03-03	FABRIC	1
4	73747-03-04	FABRIC	1
5	73747-03-05	FABRIC	1
6	FAB14002	EYEBOLT 0.3125-18 X 2.25	4
7	FAB90385	FLANGE H Nut 0.3125-18-GD8-ZN	4
8	FAB17020	OEM TECTONICS 5 NODE LED STRIP	32
9	FAB17021	OEM TECTONICS 3 NODE LED STRIP	18
10	FAB17013	24V 90W POWER SUPPLY	8
11	FAB27007	6 OUTLET SURGE PROTECTOR	2
12	HD IL 07	SPLICE LOCK	6
13	HD CL 06	CORNER LOCK	4
14	HD SL 01	STRAIGHT LOCK	12



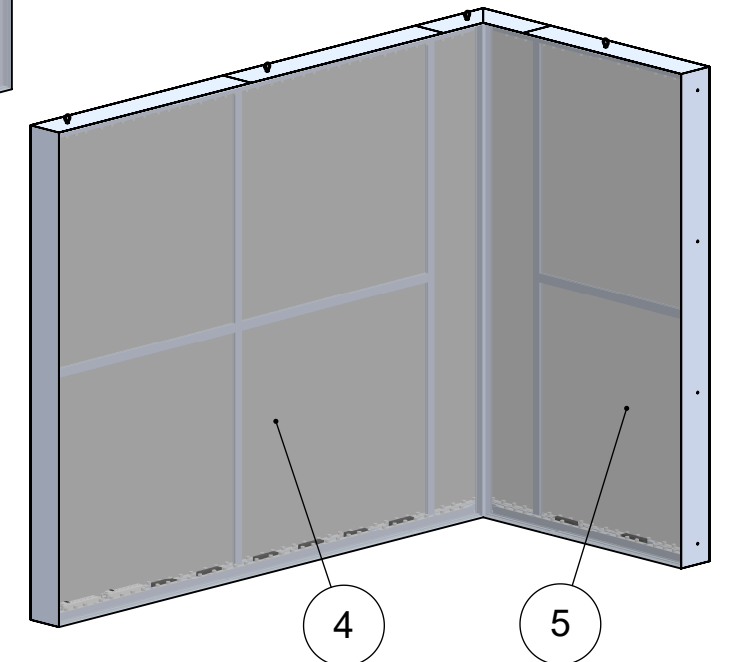
**TOP VIEW
EYEBOLT LOCATION**



BOTTOM VIEW



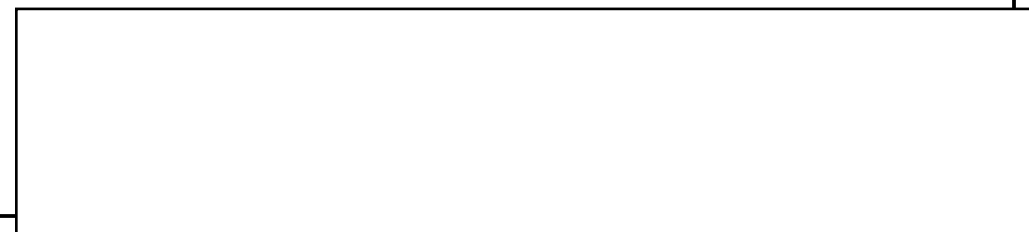
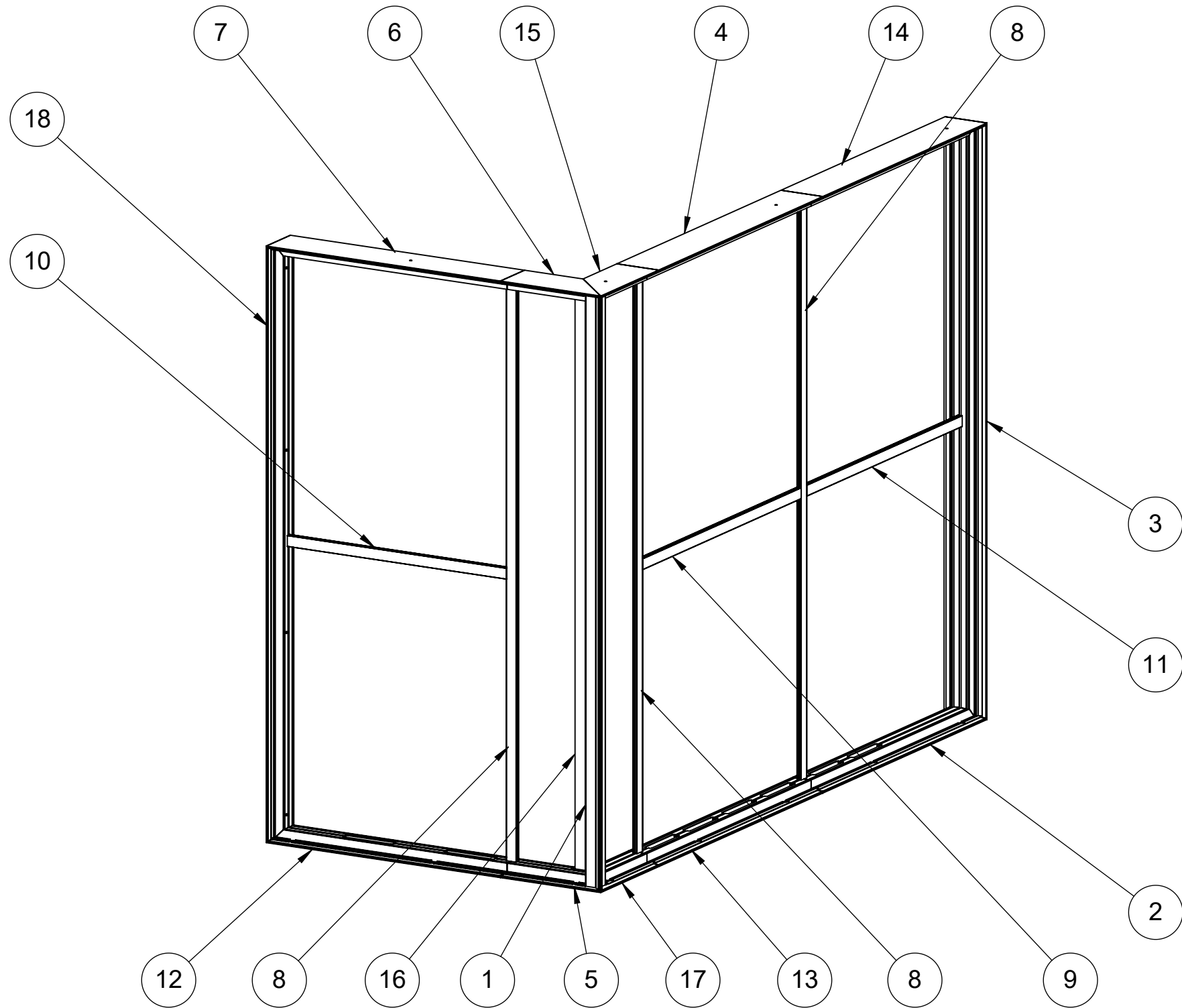
FABRIC VIEW

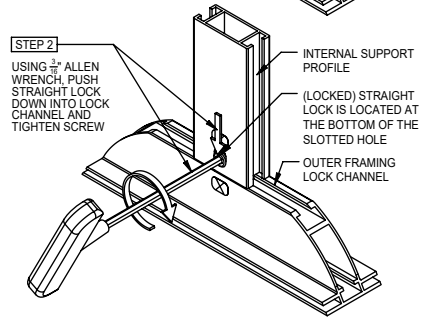
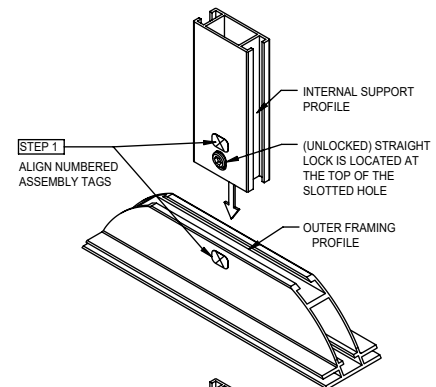


FABRIC VIEW

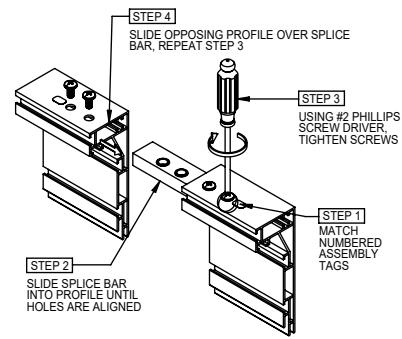
SNAP TUBE CUT-LIST α

ITEM NO.	PART NUMBER	DESCRIPTION	QTY.	LENGTH
1	73747-03-01-1	FP 4G 04 (FABRIC PROFILE)	1	95.346
2	73747-03-01-2	LP 2G 01 (LIGHTING PROFILE)	1	51
3	73747-03-01-3	LP 2G 01 (LIGHTING PROFILE)	1	96
4	73747-03-01-4	LP 2G 01 (LIGHTING PROFILE)	1	51
5	73747-03-01-5	LP 2G 01 (LIGHTING PROFILE)	1	18
6	73747-03-01-6	LP 2G 01 (LIGHTING PROFILE)	1	18
7	73747-03-01-7	LP 2G 01 (LIGHTING PROFILE)	1	42
8	73747-03-01-8	SP 2L 02 (SUPPORT PROFILE)	3	92.352
9	73747-03-01-9	SP 2L 02 (SUPPORT PROFILE)	1	49.25
10	73747-03-01-10	SP 2L 02 (SUPPORT PROFILE)	1	39.301
11	73747-03-01-11	SP 2L 02 (SUPPORT PROFILE)	1	48.301
12	73747-03-01-12	LP 2G 01 (LIGHTING PROFILE)	1	42
13	73747-03-01-13	LP 2G 01 (LIGHTING PROFILE)	1	51
14	73747-03-01-14	LP 2G 01 (LIGHTING PROFILE)	1	51
15	73747-03-01-15	LP 2G 01 (LIGHTING PROFILE)	1	18
16	73747-03-01-16	FP 4G 04 (FABRIC PROFILE)	1	95.346
17	73747-03-01-17	LP 2G 01 (LIGHTING PROFILE)	1	18
18	73747-03-01-18	LP 2G 01 (LIGHTING PROFILE)	1	96

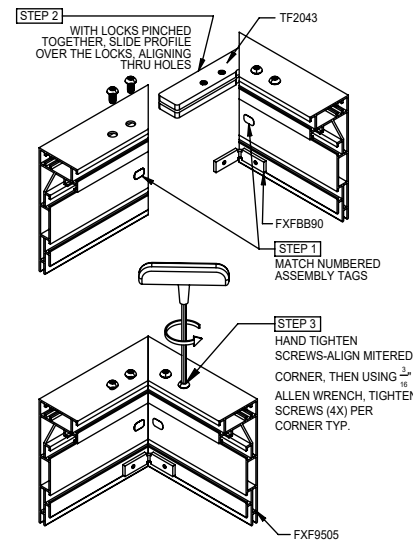




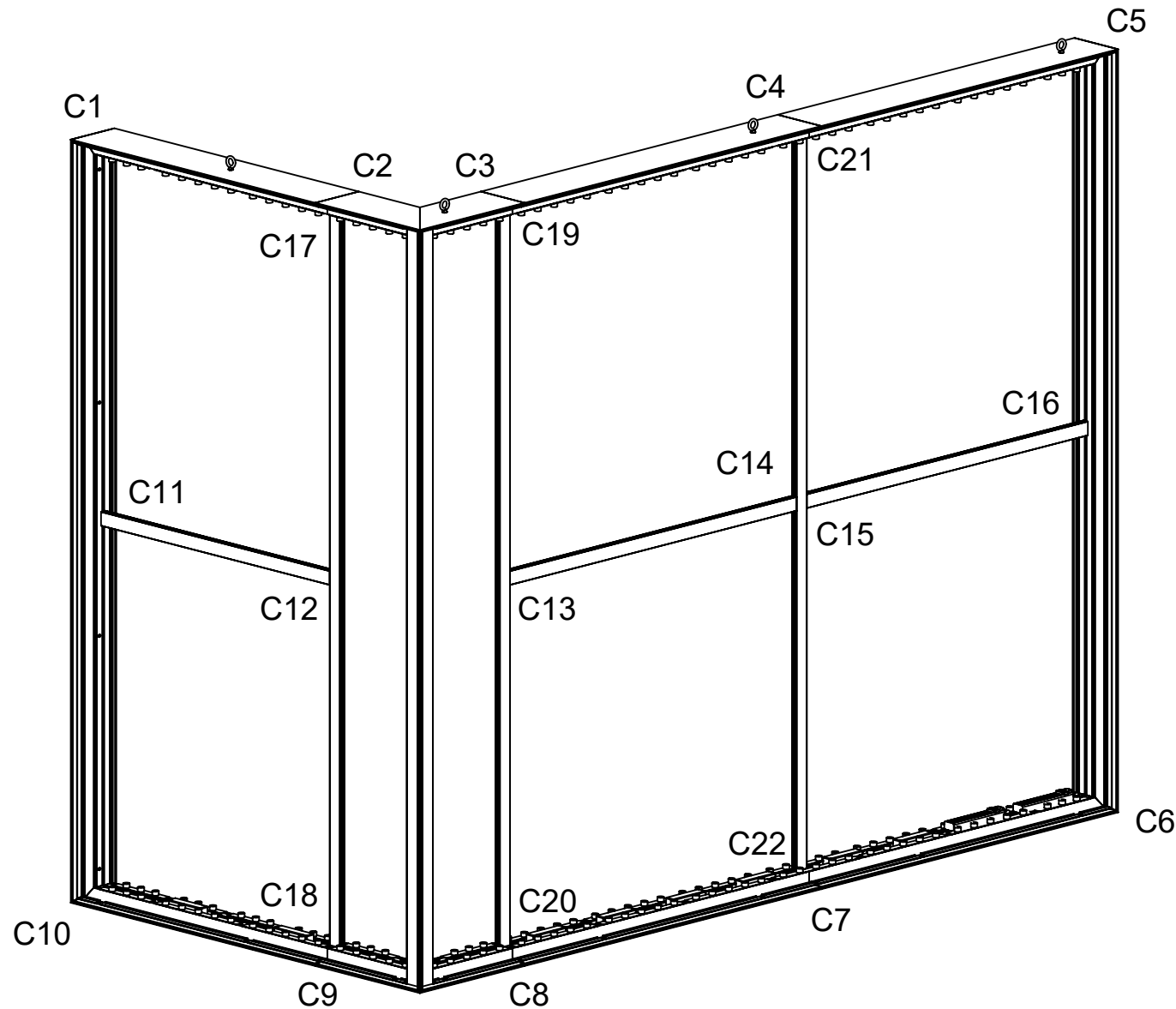
STRAIGHT LOCK CONNECTION
SCALE: FULL



POSITIVE SPLICE LOCK CONNECTION
SCALE: FULL



COMPRESSION LOCK CONNECTION
SCALE: FULL



ASSEMBLY ISOMETRIC

X MATCH JOINT TAG WITH NUMBERED DECALS ON FRAME

BILL OF MATERIALS

ITEM NO.	PART NUMBER	DESCRIPTION	QTY.
1	73747-03-01	120"W X 96"H ES FRAME	1
2	73747-03-02	FABRIC	1
3	73747-03-03	FABRIC	1
4	73747-03-04	FABRIC	1
5	73747-03-05	FABRIC	1
6	FAB14002	EYEBOLT 0.3125-18 X 2.25	4
7	FAB90385	FLANGE HNUT 0.3125-18-GD8-ZN	4
8	FAB17020	OEM TECTONICS 5 NODE LED STRIP	32
9	FAB17021	OEM TECTONICS 3 NODE LED STRIP	18
10	FAB17013	24V 90W POWER SUPPLY	8
11	FAB27007	6 OUTLET SURGE PROTECTOR	2
12	HD IL 07	SPLICE LOCK	6
13	HD CL 06	CORNER LOCK	4
14	HD SL 01	STRAIGHT LOCK	12