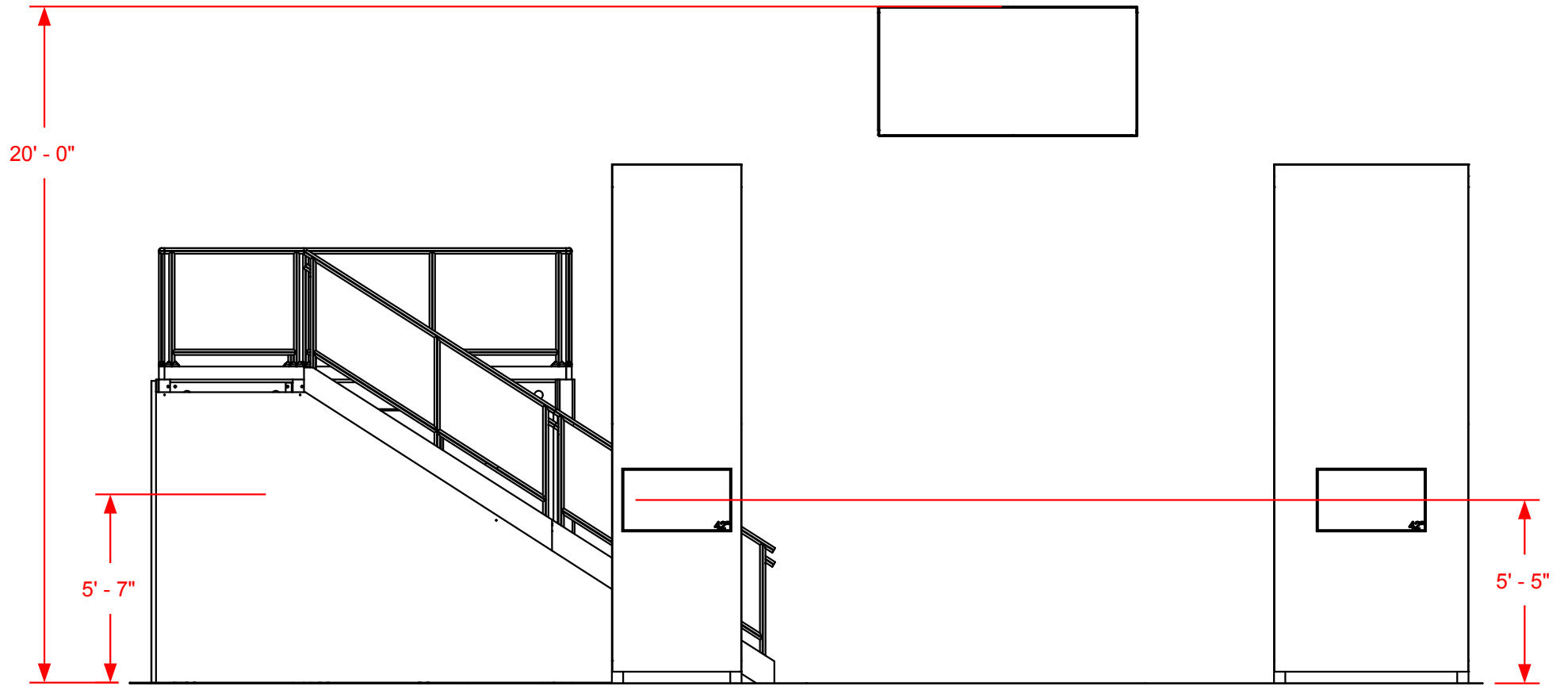
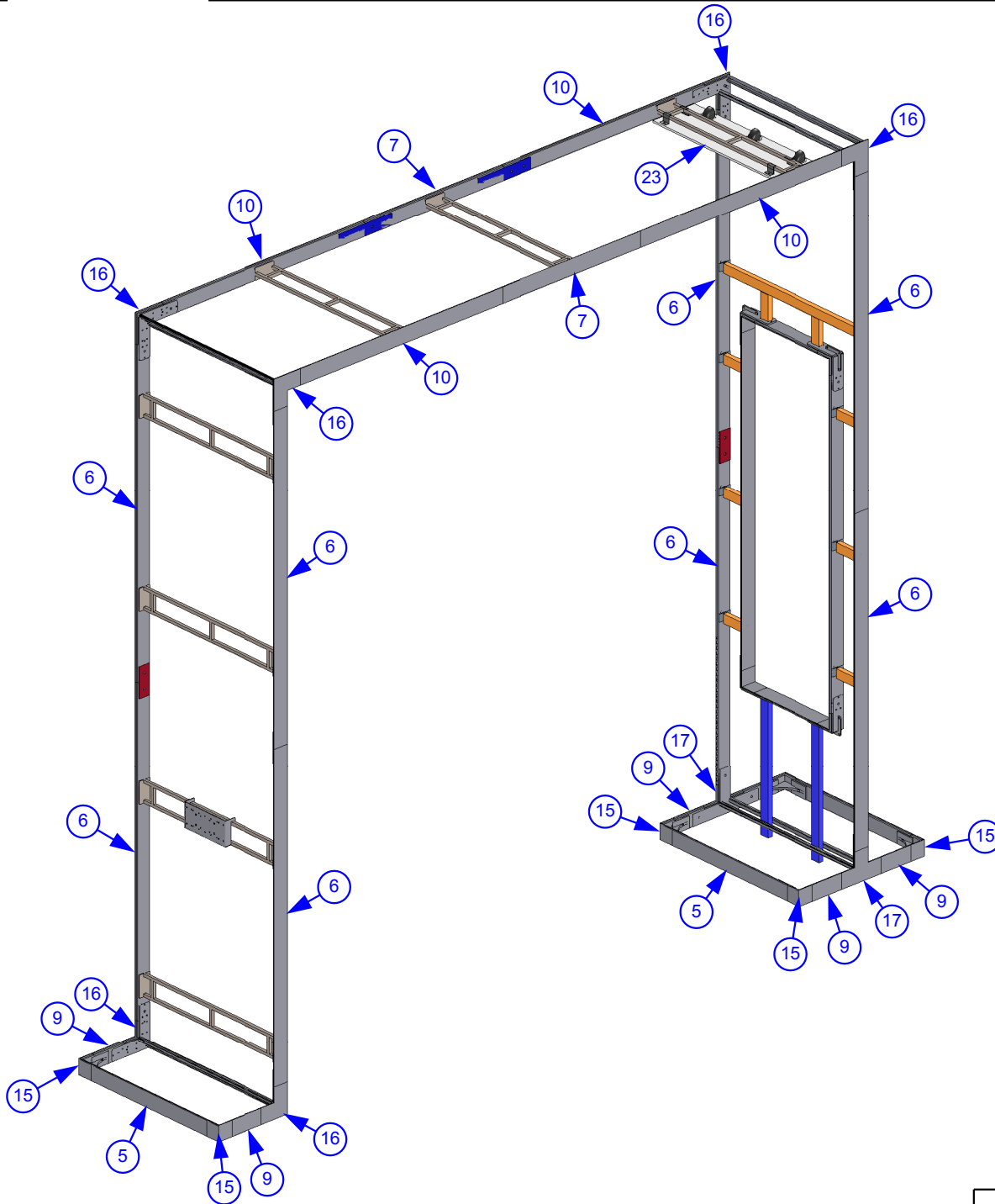


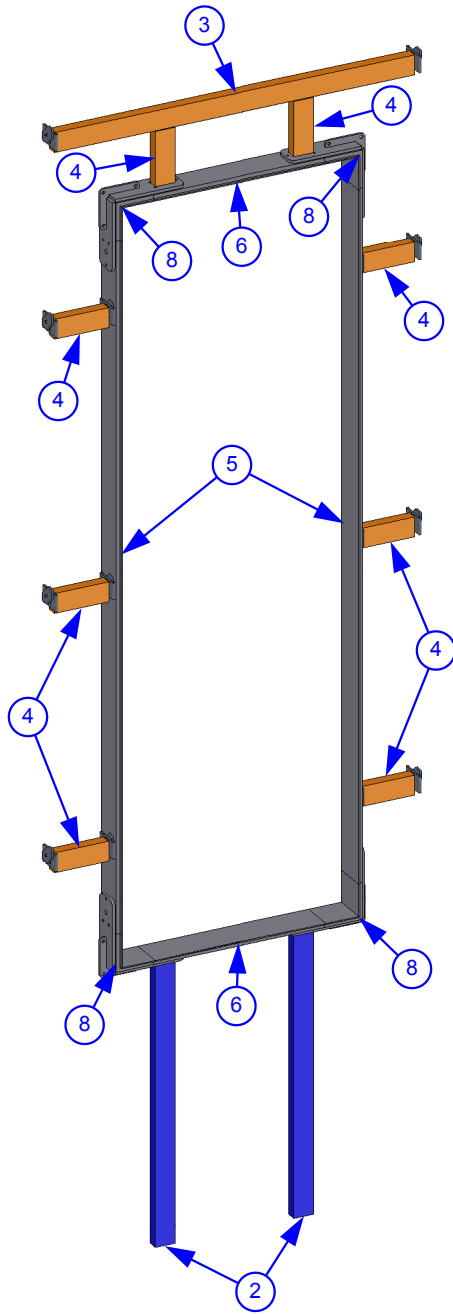
TOP  
1 square = 1'-0"



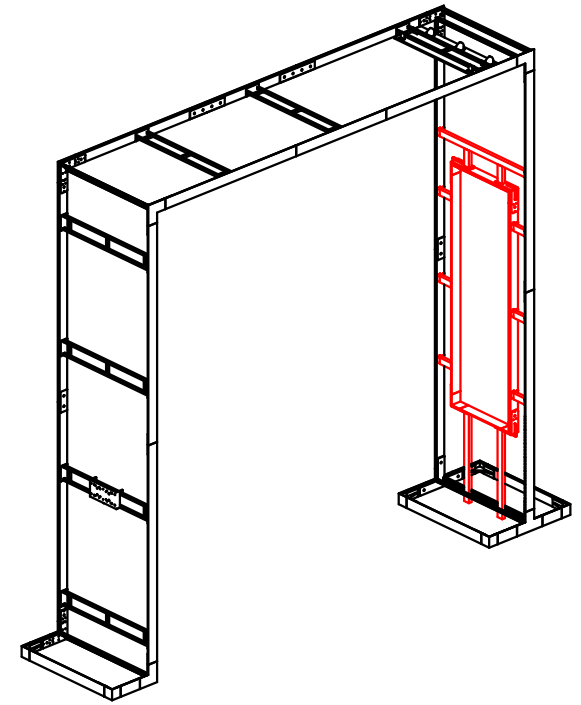
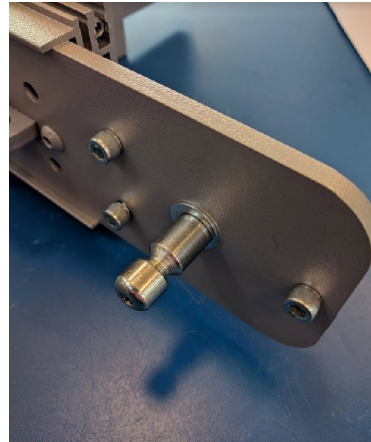
FRONT



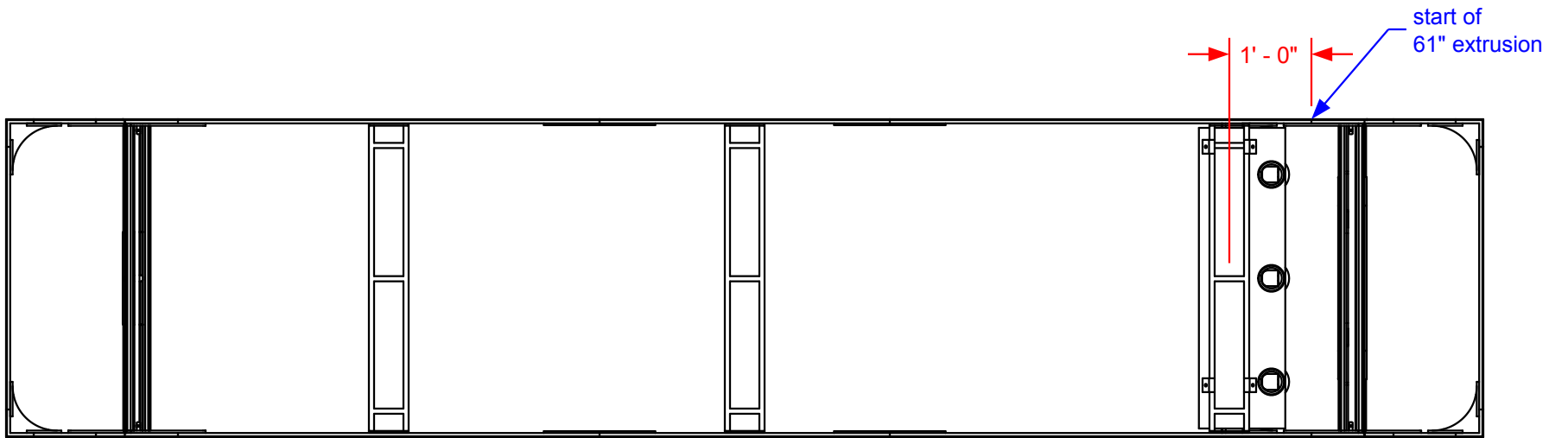
Item No.	Part Number	Qty	Description
1	30044	4	Tube Ultra female pin
2	30474	2	34.5" Rectangle ULTRA
3	32241 - 44.155	1	ULTRA - Rectang - 44.155 in.
4	32241 - 6.655	8	ULTRA - Rectang - 6.655 in.
5	33142-303	3	Envoy 38" no holes
6	33142-305	10	Envoy 84" - no holes
7	33142-308	2	Envoy 42" - no holes
8	33142-311	2	Envoy 21" - no holes
9	33142-322	6	Envoy 9" - no holes
10	33142-340	4	Envoy 61" - no holes
11	33641-301	4	8" Envoy Connector
12	33641-302	4	16" Envoy Connector
13	33650	1	Envoy Monitor Brkt.
14	33731	7	Envoy 46" support spanner
15	34457	6	Envoy Square Corner
16	34458	6	Envoy Square Arch Corner
17	34459	2	Envoy Square Split Corner
18	34461-011	14	Envoy Shelf STD 5.25"
19	34473-302	5	44.1" Square Inside Cnr. trans.
20	34474-302	3	44.1" Square Outside Cnr.
21	35652	14	LED Spanner Mount
22	37285	4	Envoy 4 Inside 90 deg Cnr Pkg
23	zzcus-1	1	12.5" x 43.5" light header panel above fabric ...

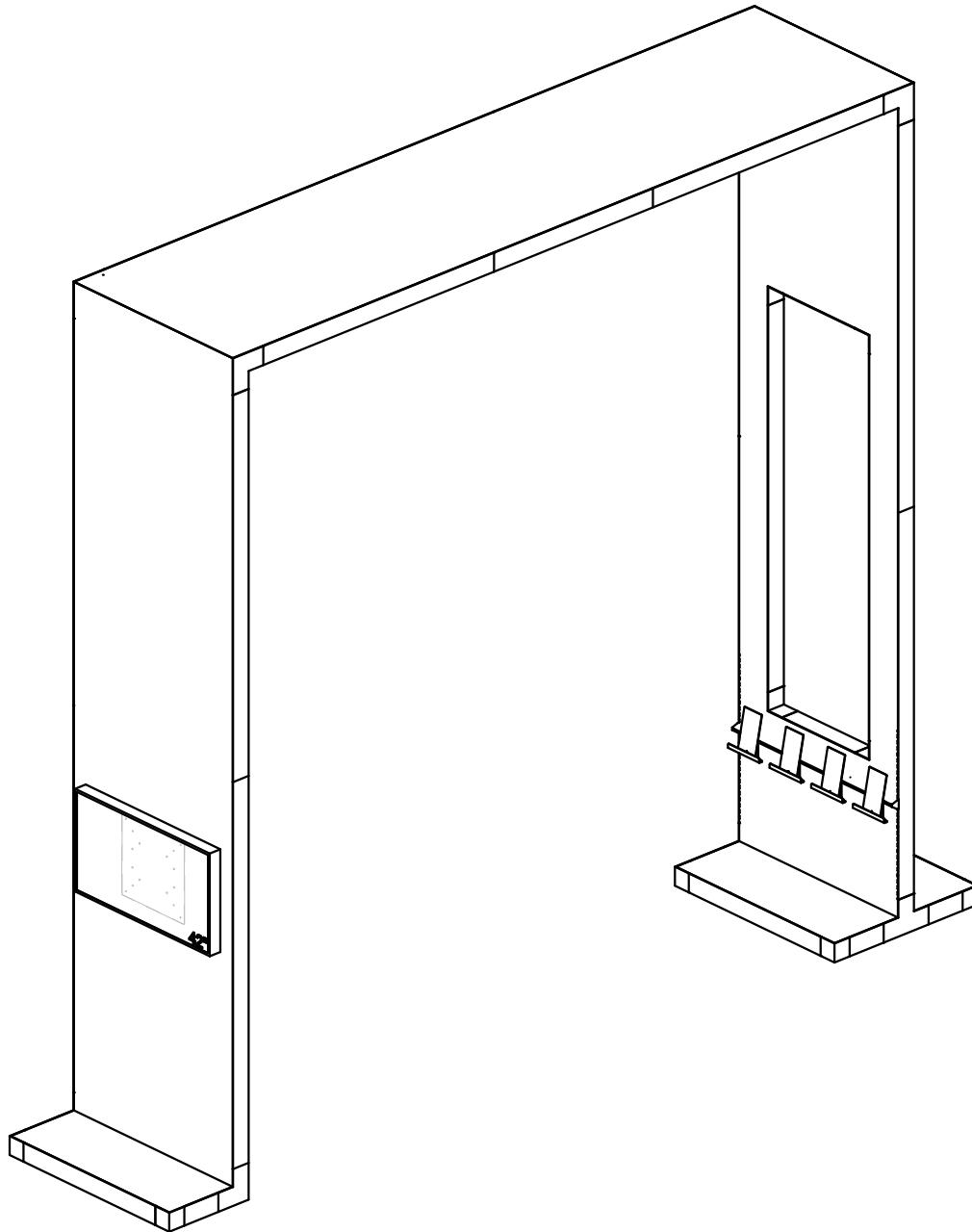
Top and bottom envoy connectors into rectangle Tube Ultra



Item No.	Part Number	Qty	Description
1	30044	4	Tube Ultra female pin
2	30474	2	34.5" Rectangle ULTRA
3	32241 - 44.155	1	ULTRA - Rectang - 44.155 in.
4	32241 - 6.655	8	ULTRA - Rectang - 6.655 in.
5	33142-305	2	Envoy 84" - no holes
6	33142-311	2	Envoy 21" - no holes
7	35652	14	LED Spanner Mount
8	37285	4	Envoy 4 Inside 90 deg Cnrr Pkg

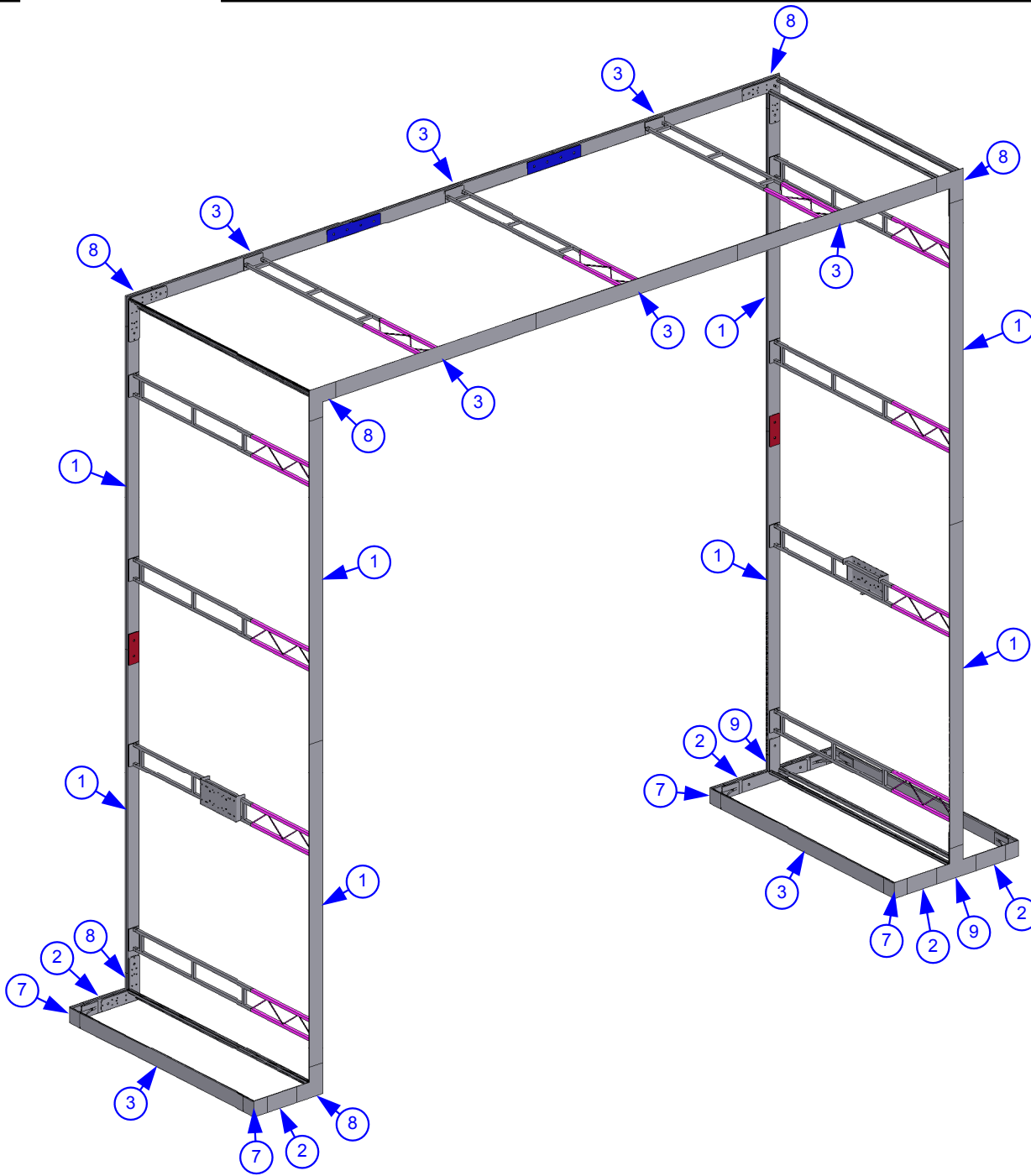






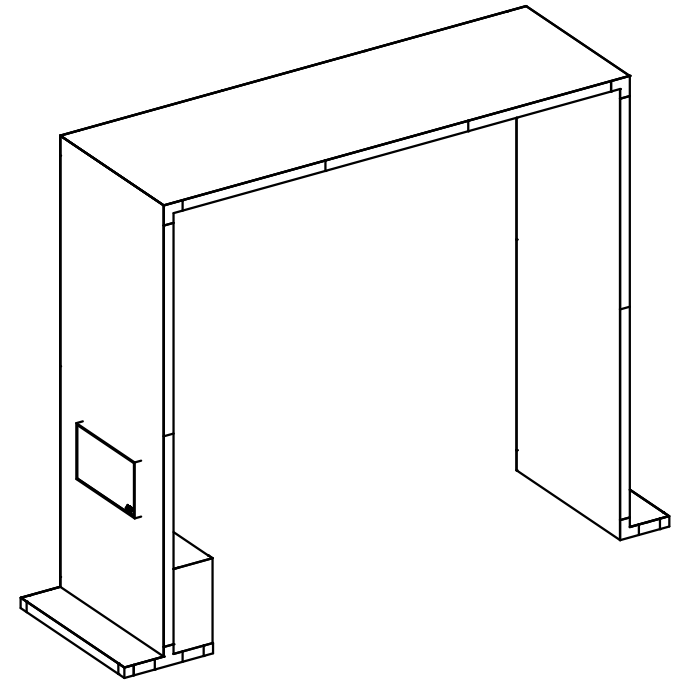
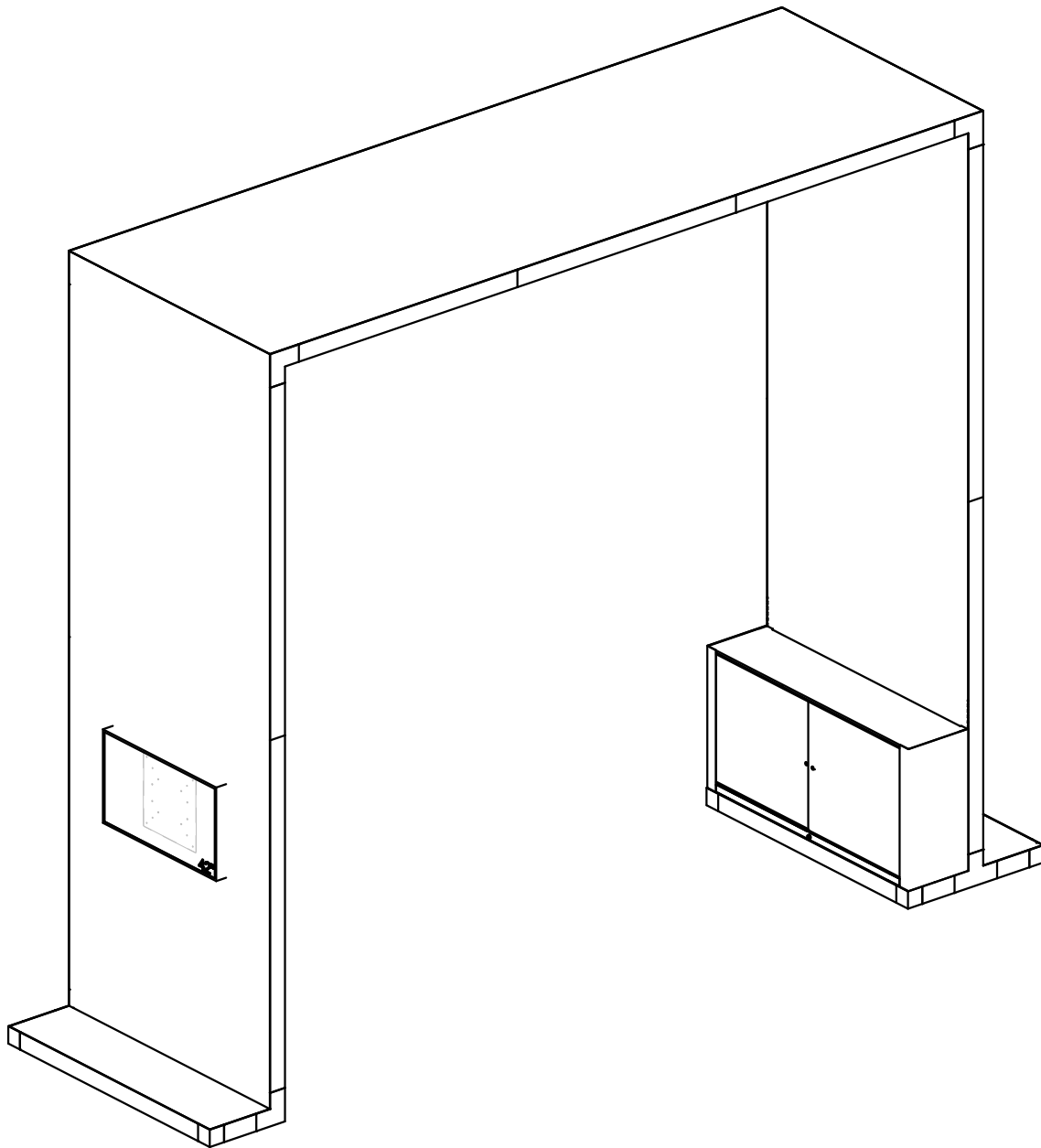
Item No.	Part Number	Qty	Description
1	30044	4	Tube Ultra female pin
2	30474	2	34.5" Rectangle ULTRA
3	32241 - 44.155	1	ULTRA - Rectang - 44.155 in.
4	32241 - 6.655	8	ULTRA - Rectang - 6.655 in.
5	33142-303	3	Envoy 38" no holes
6	33142-305	10	Envoy 84" - no holes
7	33142-308	2	Envoy 42" - no holes
8	33142-311	2	Envoy 21" - no holes
9	33142-322	6	Envoy 9" - no holes
10	33142-340	4	Envoy 61" - no holes
11	33641-301	4	8" Envoy Connector
12	33641-302	4	16" Envoy Connector
13	33650	1	Envoy Monitor Brkt.
14	33726-1	1	envoy banner 46" x 577.22"
15	33726-2	1	envoy banner 46" x 372.07"
16	33731	7	Envoy 46" support spanner
17	34457	6	Envoy Square Corner
18	34458	6	Envoy Square Arch Corner
19	34459	2	Envoy Square Split Corner
20	34461-011	14	Envoy Shelf STD 5.25"
21	34473-302	5	44.1" Square Inside Cnr. trans.
22	34474-302	3	44.1" Square Outside Cnr.
23	34923	4	Envoy Track lit. pocket
24	34943-302	1	46" Envoy Track
25	35652	14	LED Spanner Mount
26	35928-006	1	SkyRise Lrg Mon Plt
27	37285	4	Envoy 4 Inside 90 deg Cnr Pkg
28	zzcus-1	1	12.5" x 43.5" light header panel above fabric with...

--	--	--	--

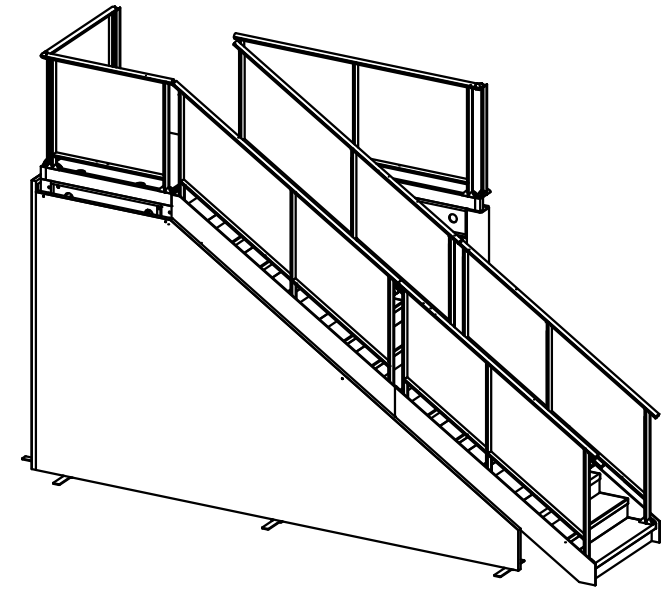
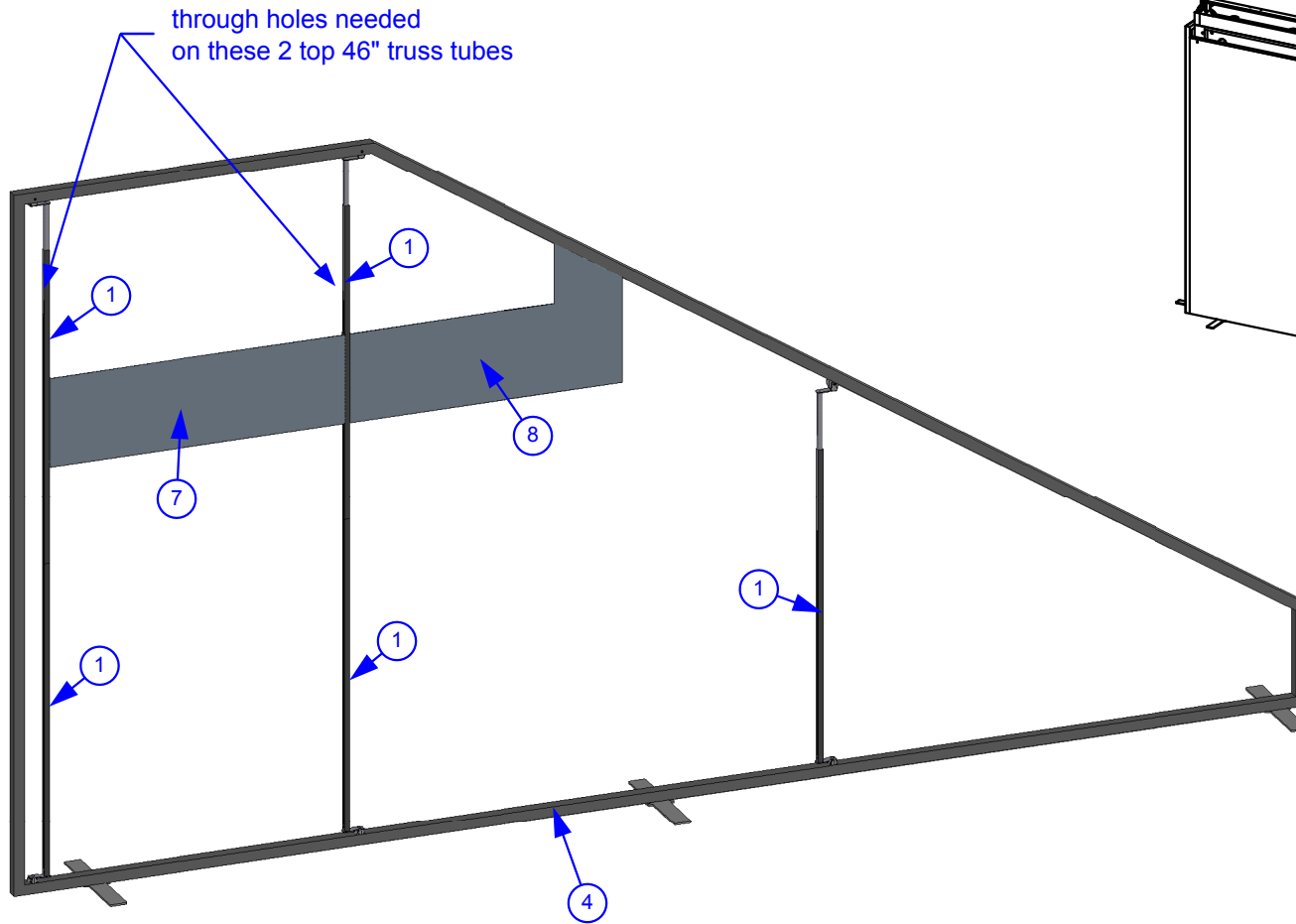


Item No.	Part Number	Qty	Description
1	33142-305	8	Envoy 84" - no holes
2	33142-322	6	Envoy 9" - no holes
3	33142-340	9	Envoy 61" - no holes
4	33641-301	4	8" Envoy Connector
5	33641-302	4	16" Envoy Connector
6	33650	2	Envoy Monitor Brkt.
7	34457	6	Envoy Square Corner
8	34458	6	Envoy Square Arch Corner
9	34459	2	Envoy Square Split Corner
10	34461-011	14	Envoy Shelf STD 5.25"
11	34473-303	5	67.1" Square Inside Cnr. trans.
12	34474-303	3	67.1" Square Outside Cnr.
13	34831	11	Envoy 69" support spanner

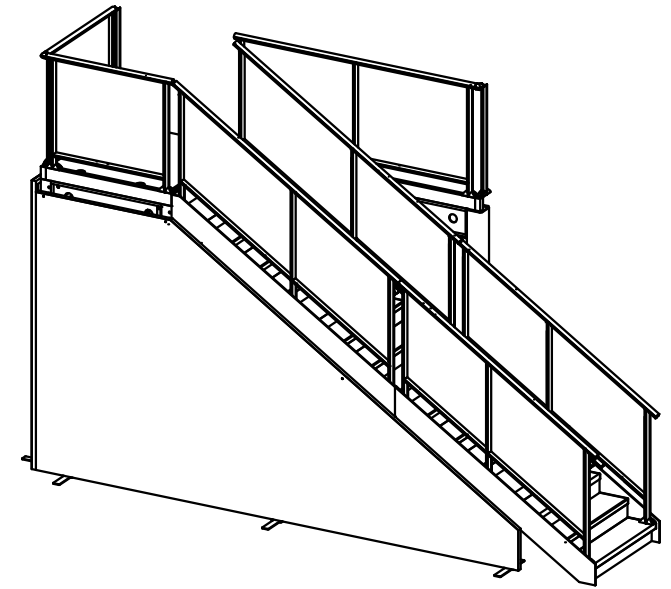
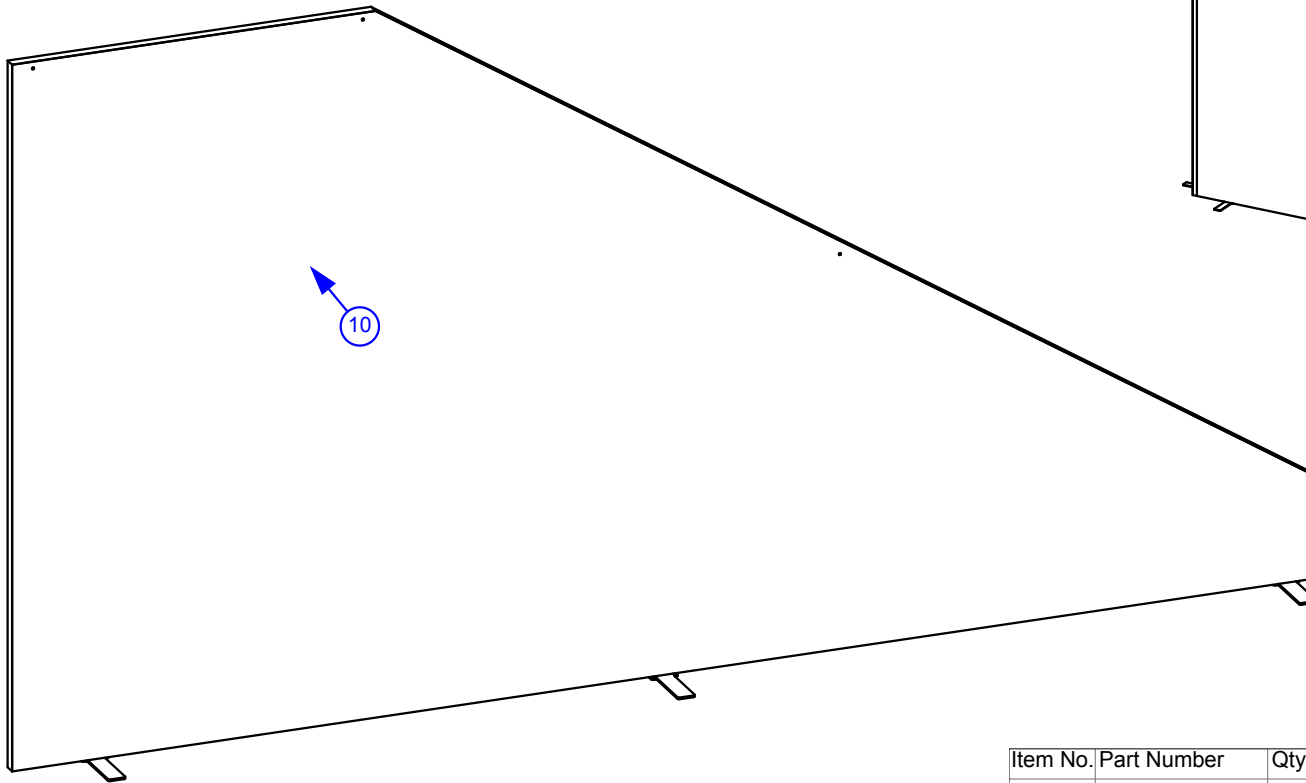
--	--	--	--	--



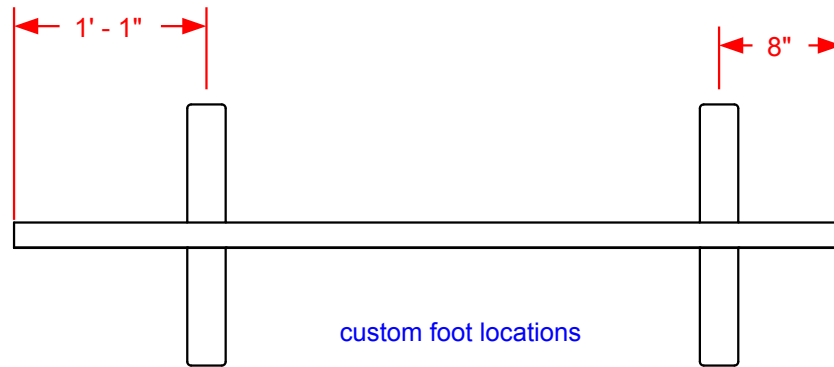
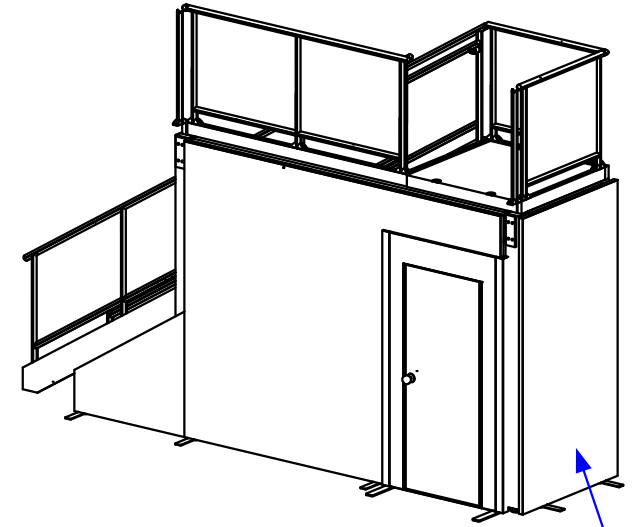
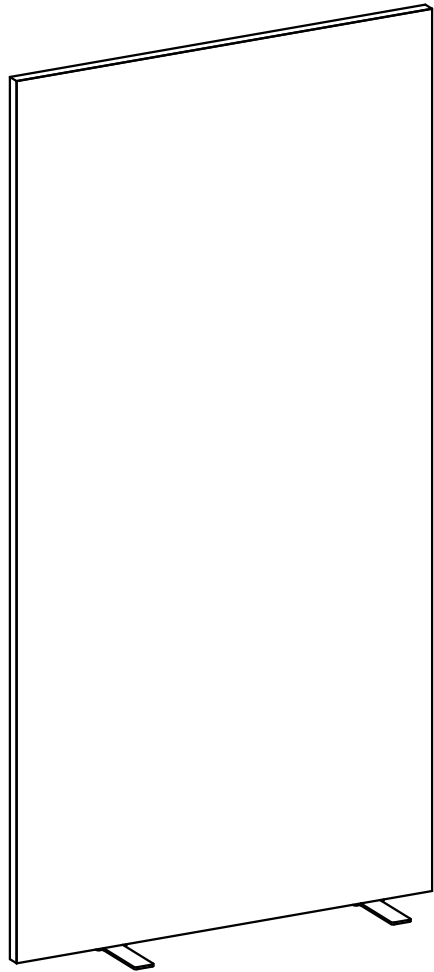
Item No.	Part Number	Qty	Description
1	33142-305	8	Envoy 84" - no holes
2	33142-322	6	Envoy 9" - no holes
3	33142-340	9	Envoy 61" - no holes
4	33641-301	4	8" Envoy Connector
5	33641-302	4	16" Envoy Connector
6	33650	2	Envoy Monitor Brkt.
7	33726-3	1	envoy banner 69" x 596.22"
8	33726-4	1	envoy banner 69" x 551"
9	34457	6	Envoy Square Corner
10	34458	6	Envoy Square Arch Corner
11	34459	2	Envoy Square Split Corner
12	34461-011	14	Envoy Shelf STD 5.25"
13	34473-303	5	67.1" Square Inside Cnr. trans.
14	34474-303	3	67.1" Square Outside Cnr.
15	34540	1	69" Envoy Sqr. Floating/Full Cabinet
16	34831	11	Envoy 69" support spanner
17	35928-006	2	SkyRise Lrg Mon Plt



Item No.	Part Number	Qty	Description
1	23357	5	46" Truss Tube
2	33848	3	Picturescape Single Base Plate Pkg
3	33908	3	Spanner Bar Connector Assy
4	33919-1	1	PictureScape Frame 190" x 103"
5	37168	3	SPANNER BAR CONN ASSY PICSCAPE W/OFFSET
6	37184	3	PScAPE Adj. Spanner End Weld
7	zzcus-2	1	plate for 3D letters ~43.40" x 13"
8	zzcus-3	1	plate for 3D letters~40" x ~22"

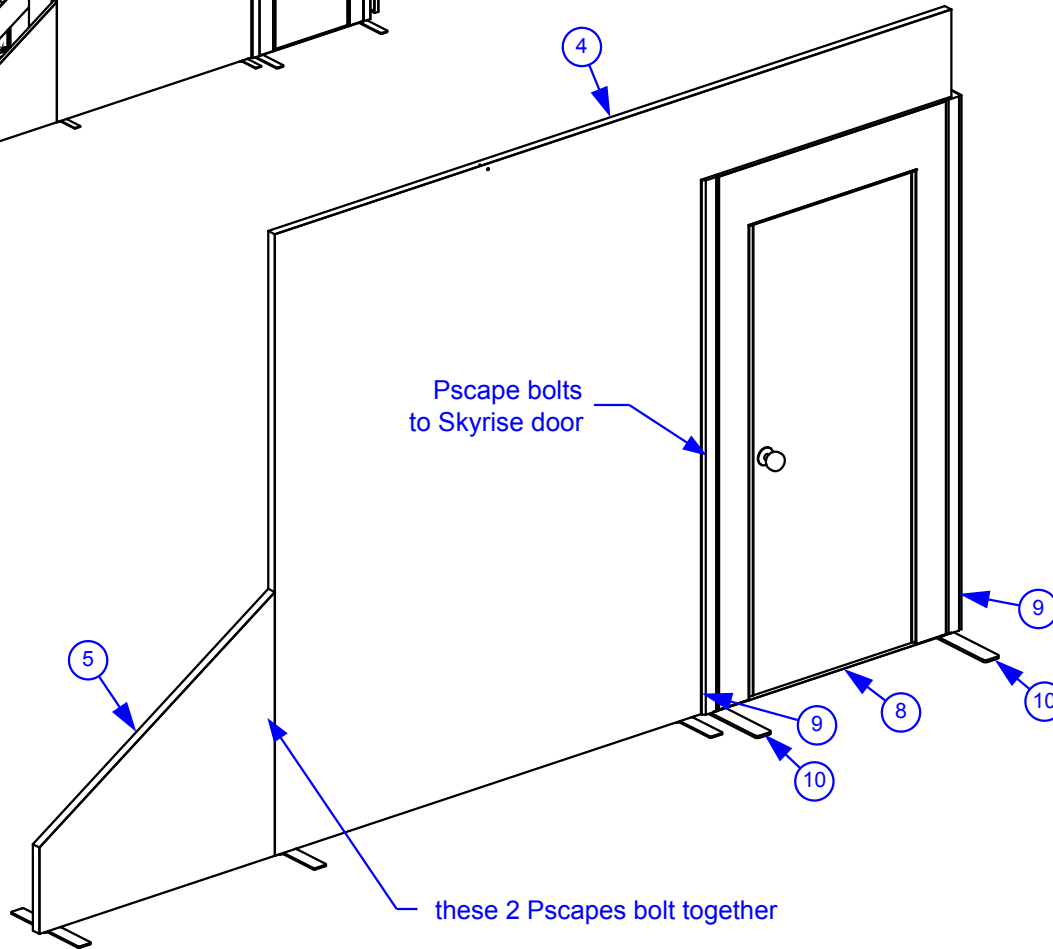
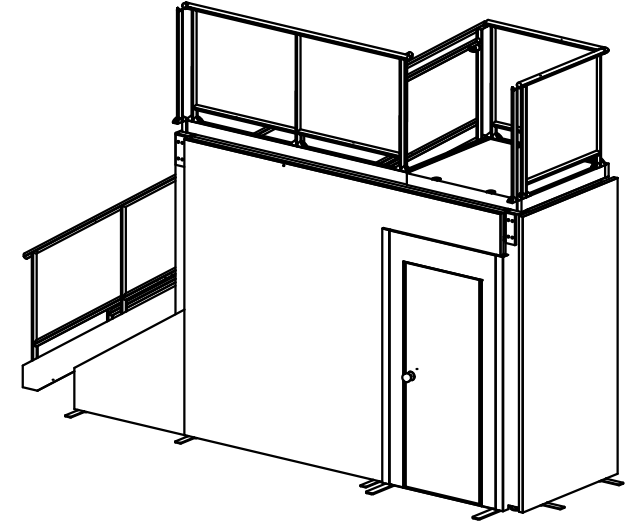
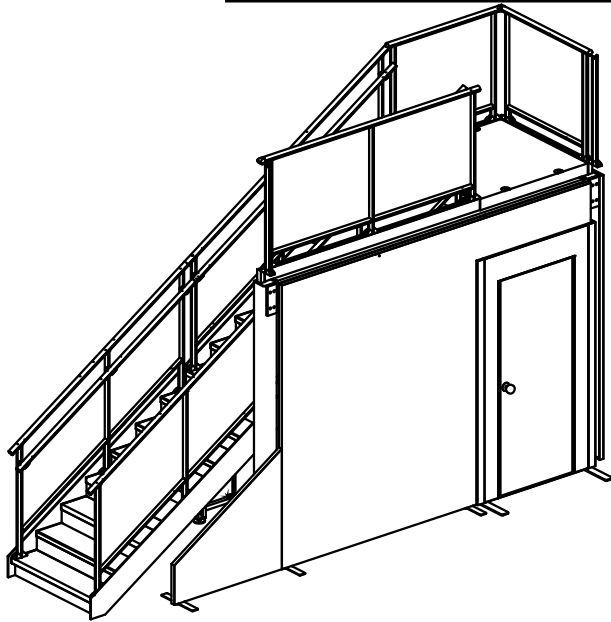


Item No.	Part Number	Qty	Description
1	23357	5	46" Truss Tube
2	33848	3	Picturescape Single Base Plate Pkg
3	33908	3	Spanner Bar Connector Assy
4	33919-1	1	PictureScape Frame 190" x 103"
5	37168	3	SPANNER BAR CONN ASSY PICSCAPE W/OFFSET
6	37184	3	PScape Adj. Spanner End Weld
7	PicScapeBNR-1	1	PictureScape banner 190" x 103"
8	zzcus-2	1	plate for 3D letters ~43.40" x 13"
9	zzcus-3	1	plate for 3D letters~40" x ~22"
10	zzcus-3D letters	1	3D letters 71.50" x 19"



custom foot locations

Item No.	Part Number	Qty	Description
1	33848	2	PictureScape Single Base Plate Pkg
2	33919-2	1	PictureScape Frame 53.90" x 107"
3	PicScapeBNR-2	1	PictureScape banner 53.90" x 107"



Item No.	Part Number	Qty	Description
1	23357	2	46" Truss Tube
2	33848	3	Picturescape Single Base Plate Pkg
3	33908	1	Spanner Bar Connector Assy
4	33919-3	1	PictureScape Frame 136.50" x 107"
5	33919-4	1	PictureScape Frame 47.50" x 45.386"
6	35694-302	3	SkyRise 92" Extrusion Cover
7	35766-Door	2	SkyRise Door Hard Panel
8	35771-021-Door	1	SkyRise Door
9	35772-021-301	2	SkyRise 92" Corner w/ foot
10	35933-006	2	SkyRise Base Plate
11	37168	1	SPANNER BAR CONN ASSY PICSCAPE W/OFFSET
12	37184	1	PScape Adj. Spanner End Weld
13	PicScapeBNR-3	1	PictureScape banner 136.50" x 107"
14	PicScapeBNR-4	1	Picturescape banner 47.50" x 45.386"

--	--	--	--	--

Part Number	Qty	Description	Part Number	Qty	Description
23357	7	46" Truss Tube	34459	4	Envoy Square Split Corner
30044	4	Tube Ultra female pin	34461-011	28	Envoy Shelf STD 5.25"
30474	2	34.5" Rectangle ULTRA	34473-302	5	44.1" Square Inside Cnr. trans.
32241 - 44.155	1	ULTRA - Rectang - 44.155 in.	34473-303	5	67.1" Square Inside Cnr. trans.
32241 - 6.655	8	ULTRA - Rectang - 6.655 in.	34474-302	3	44.1" Square Outside Cnr.
33142-303	3	Envoy 38" no holes	34474-303	3	67.1" Square Outside Cnr.
33142-305	18	Envoy 84" - no holes	34540	1	69" Envoy Sqr. Floating/Full Cabinet
33142-308	2	Envoy 42" - no holes	34831	11	Envoy 69" support spanner
33142-311	2	Envoy 21" - no holes	34923	4	Envoy Track lit. pocket
33142-322	12	Envoy 9" - no holes	34943-302	1	46" Envoy Track
33142-340	13	Envoy 61" - no holes	35652	14	LED Spanner Mount
33641-301	8	8" Envoy Connector	35694-302	3	SkyRise 92" Extrusion Cover
33641-302	8	16" Envoy Connector	35766-Door	2	SkyRise Door Hard Panel
33650	3	Envoy Monitor Brkt.	35771-021-Door	1	SkyRise Door
33726-1	1	envoy banner 46" x 577.22"	35772-021-301	2	SkyRise 92" Corner w/ foot
33726-2	1	envoy banner 46" x 372.07"	35928-006	3	SkyRise Lrg Mon Plt
33726-3	1	envoy banner 69" x 596.22"	35933-006	2	SkyRise Base Plate
33726-4	1	envoy banner 69" x 551"	37168	4	SPANNER BAR CONN ASSY PICSCAPE W/OFFSET
33731	7	Envoy 46" support spanner	37184	4	PScape Adj. Spanner End Weld
33848	8	Picturescape Single Base Plate Pkg	37285	4	Envoy 4 Inside 90 deg Cnr Pkg
33908	4	Spanner Bar Connector Assy	PicScapeBNR-1	1	PictureScape banner 190" x 103"
33919-1	1	PictureScape Frame 190" x 103"	PicScapeBNR-2	1	PictureScape banner 53.90" x 107"
33919-2	1	PictureScape Frame 53.90" x 107"	PicScapeBNR-3	1	PictureScape banner 136.50" x 107"
33919-3	1	PictureScape Frame 136.50" x 107"	PicScapeBNR-4	1	Picturescape banner 47.50" x 45.386"
33919-4	1	PictureScape Frame 47.50" x 45.386"	zzcus-1	1	12.5" x 43.5" light header panel above fabric with Z brackets
34090-92x46	4	PCube 92" x 46" Fabric Banner	zzcus-2	1	plate for 3D letters ~43.40" x 13"
34090-92x92	1	PCube 92" x 92" Fabric Banner	zzcus-3	1	plate for 3D letters~40" x ~22"
34277-120	1	92"x92"x46" Hanging Backlit Cube	zzcus-3D letters	1	3D letters 71.50" x 19"
34457	12	Envoy Square Corner			
34458	12	Envoy Square Arch Corner			