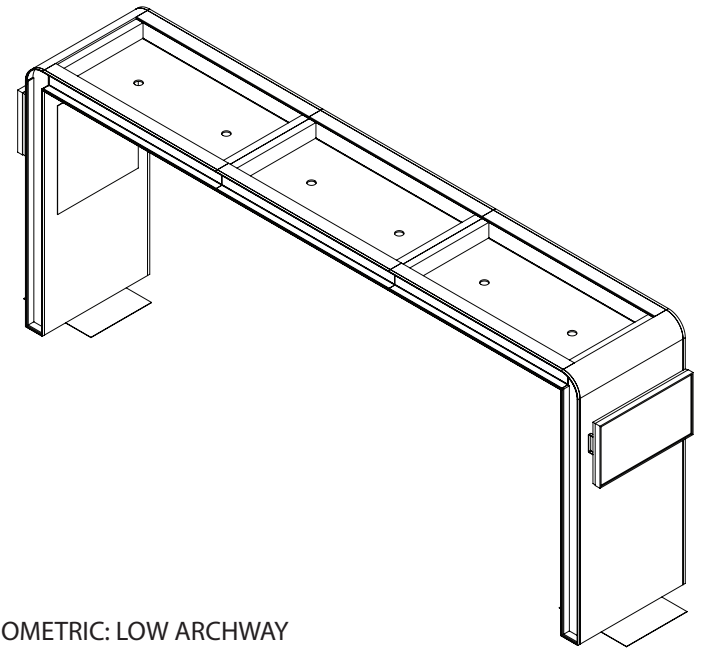


EXPLODED ISOMETRIC: LOW ARCHWAY



ISOMETRIC: LOW ARCHWAY

C A S E L I S T

Case #	Sizes (inches)	Wt (lbs)	Contents
4	50x55x108	850	LOW UNIT: 5 SECTIONS, 4 METAL BARS, 2 DOUBLE BARS
CRATE	40x54x5	75	GRAPHICS + BLOCKS
LOOSE	60x42x36	200	METAL JOB BOX: MISC. PIECES, FABRICS, SHELVES, HARDWARE