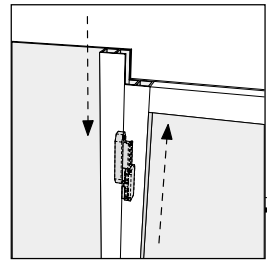
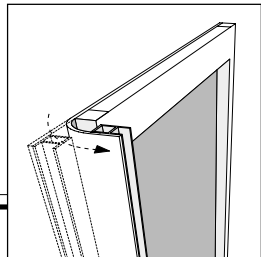


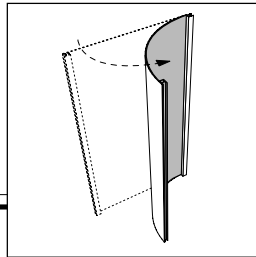
Peninsula Counter



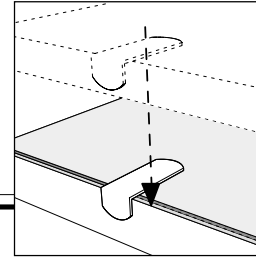
Attach / detach panels by sliding vertically...



...flex panel ends to create corners...

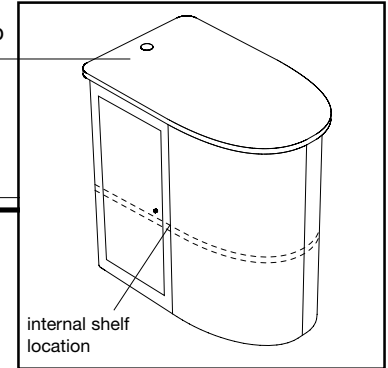


...or flex wide panels to create curves...



...then hook shelf onto mid-panel shelf brace.

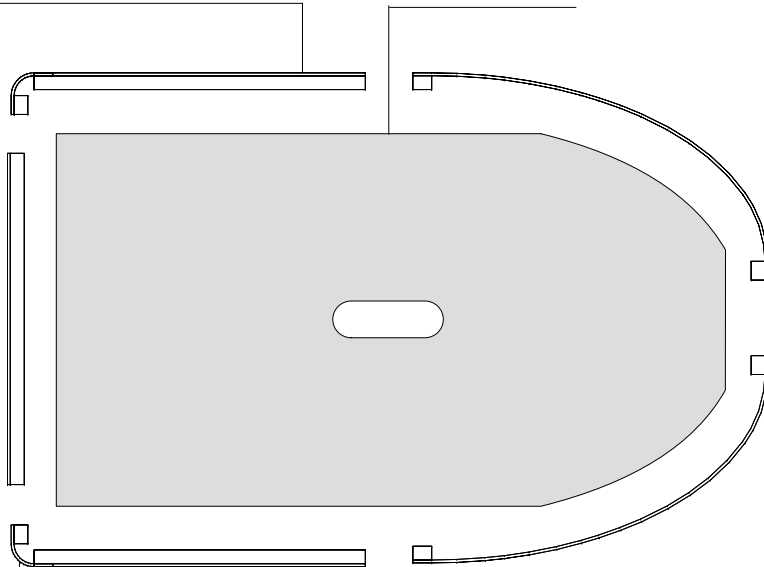
Place countertop in position.



Completed Counter

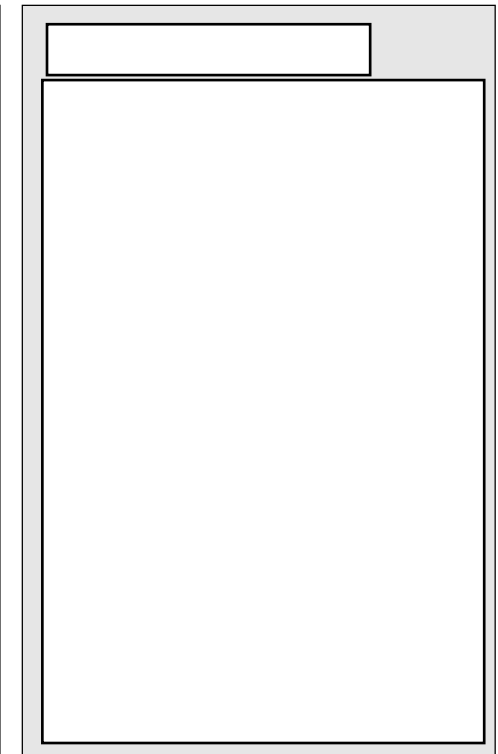
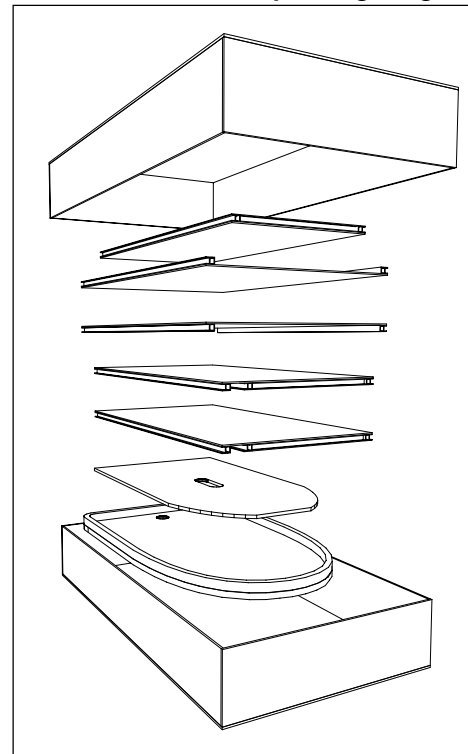
Panel

Internal Shelf



Flexible Connector

Repacking Diagram



Warning! Do Not Stand on Counter. Maximum load is: 100lbs (45.45Kgs).