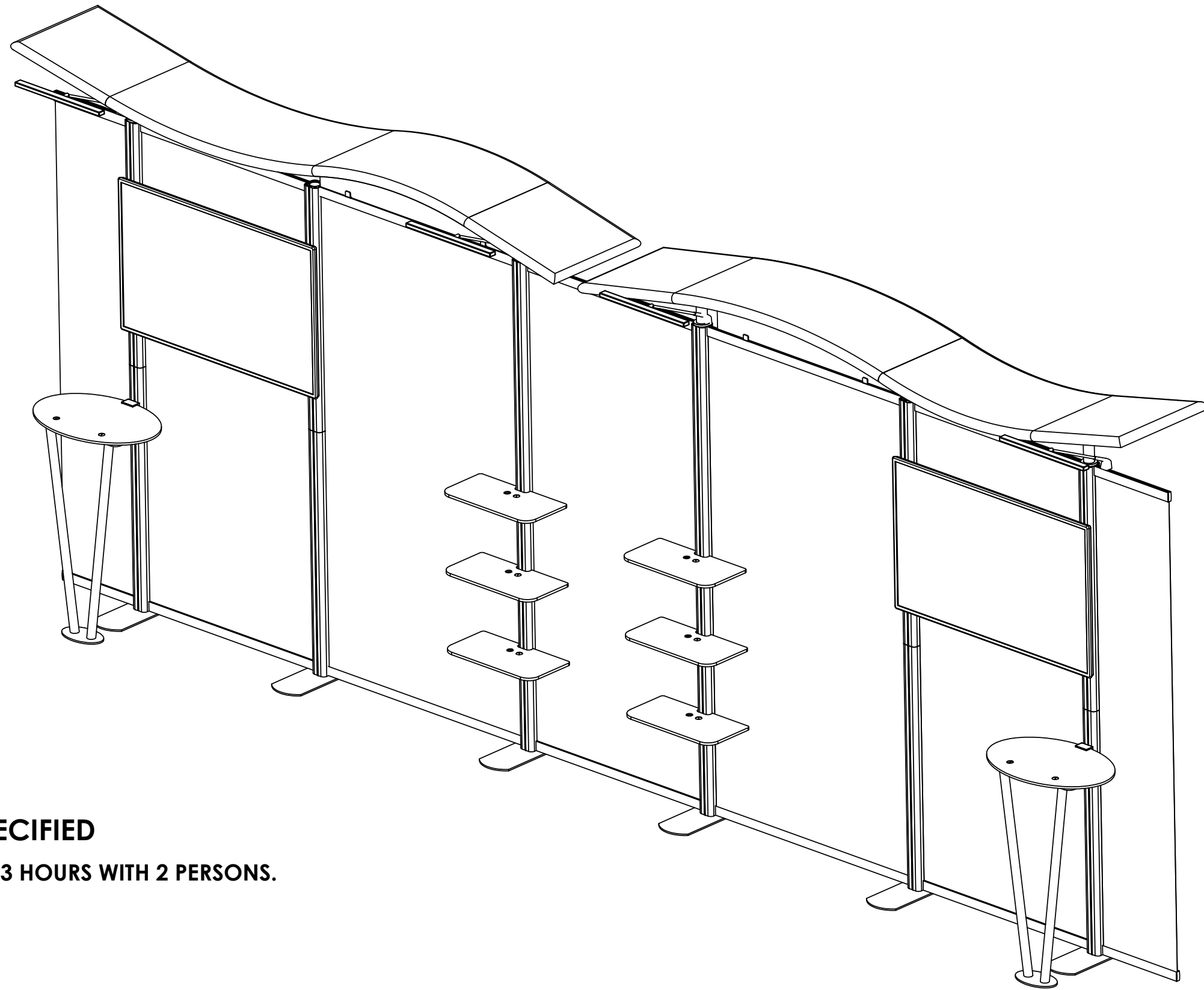


8 7 6 5 4 3 2 1

# 20 Ft. Timberline Modular Display with Monitor TL 1002F-S20-TV



**NOTE: UNLESS OTHERWISE SPECIFIED**

**1. SETUP TIME PER 10FT. SECTION IS 2-3 HOURS WITH 2 PERSONS.**

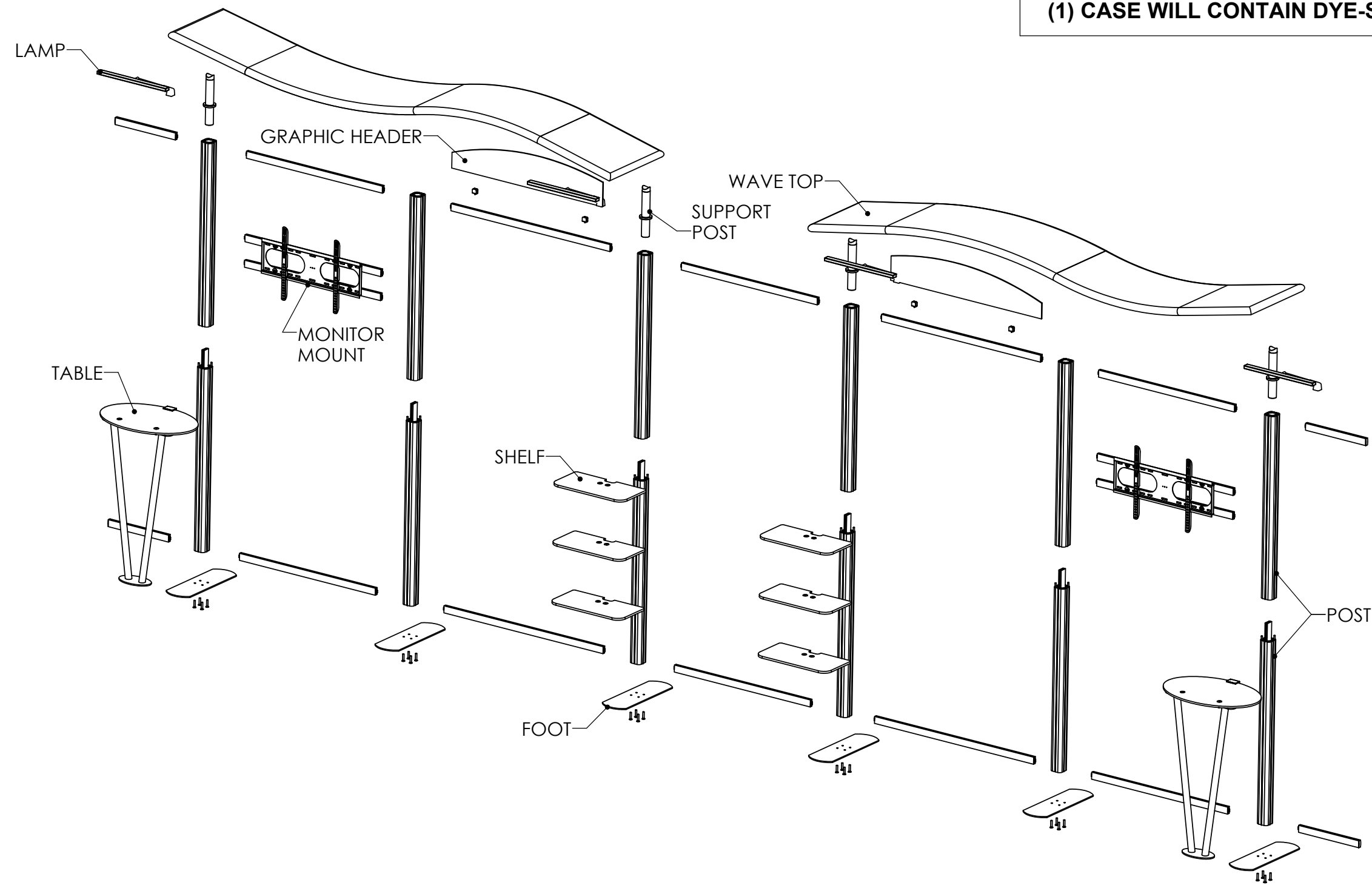
## SET-UP MANUAL



FINISH:	THIRD ANGLE PROJECTION	PROPERTY: THIS DOCUMENT AND DATA DISCLOSED HEREIN OR HEREAFTER IS NOT TO BE REPRODUCED, USED, OR DISCLOSED IN WHOLE OR IN PART TO ANYONE WITHOUT PERMISSION OF NIEDO GROUP, INC.
MATERIAL:		
DIMENSIONS ARE IN MILLIMETERS	NIEDO GROUP, INC. 5465 SW WESTERN AVE. BEAVERTON, OR 97005	
TOLERANCES UNLESS OTHERWISE SPECIFIED	<b>20 Ft. Timberline Modular Display with Monitor SET UP INSTRUCTIONS</b>	
REV: B	DWG. NO.:	REV: -03
SCALE: NA	DO NOT SCALE DRAWING	SHEET 1

8 7 6 5 4 3 2 1

**TL1002F-S20-TV**  
**(1) MOLDED PLASTIC WHEELED CASE**  
**(1) CASE WILL CONTAIN DYE-SUB FABRIC PANEL**



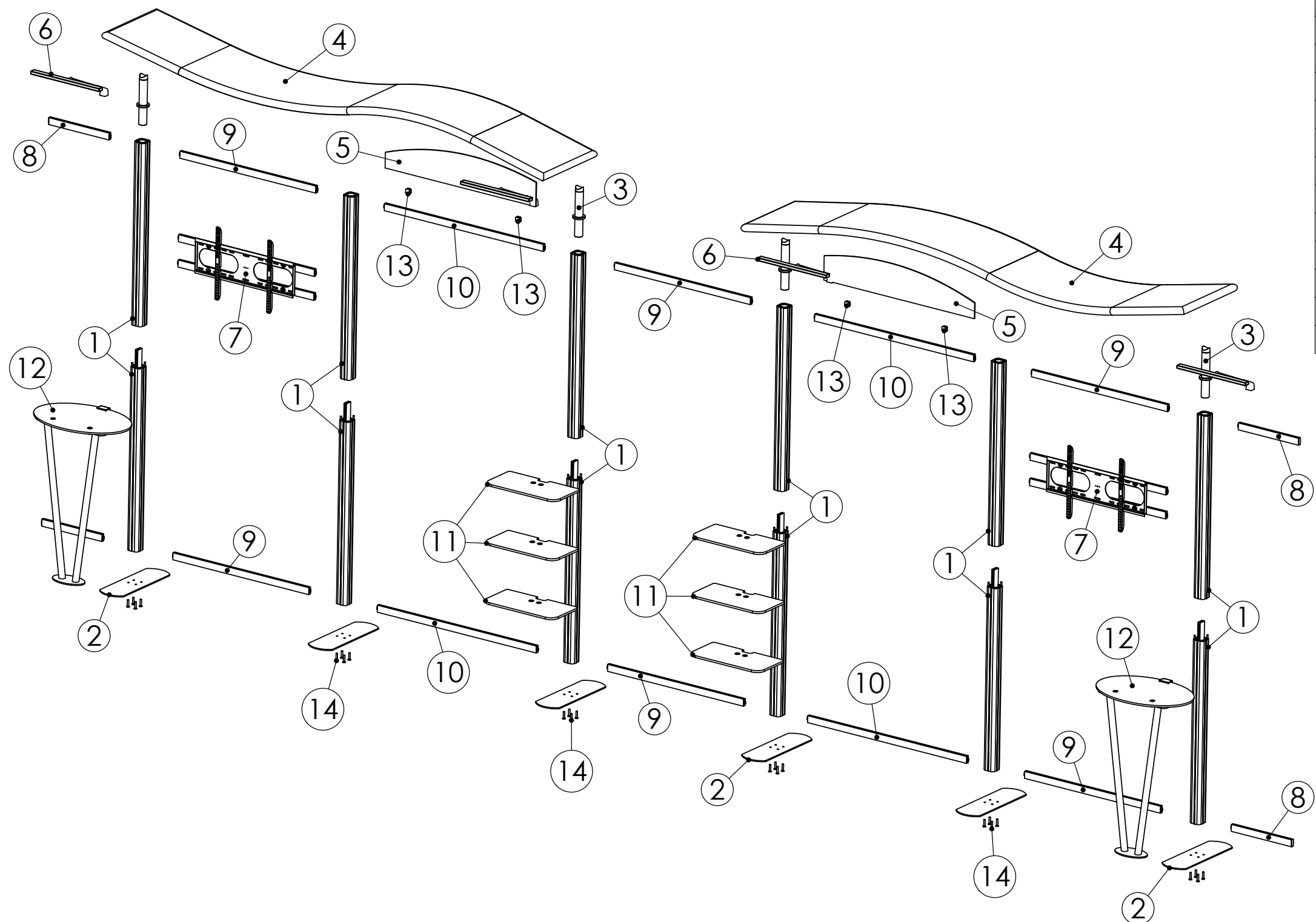
**20 FT. TIMBERLINE MODULAR DISPLAY WITH MONITOR**

<small>FINISH:</small> <small>MATERIAL:</small>		<small>THIRD ANGLE PROJECTION</small> 	<small>PROPERTY:</small> <small>THE DOCUMENT AND DATA DISCLOSED HEREIN OR HEREWITH NOT TO BE REPRODUCED, USED, OR DISCLOSED IN WHOLE OR IN PART TO ANYONE WITHOUT PERMISSION OF NIEDO GROUP, INC.</small>
<small>DIMENSIONS ARE IN MILLIMETERS</small> <small>TOLERANCES UNLESS OTHERWISE SPECIFIED</small>		<b>NIEDO GROUP, INC.</b>	<b>5465 SW WESTERN AVE.</b> <b>BEAVERTON, OR 97005</b>
		<b>20 Ft. Timberline Modular Display with Monitor</b> <b>SET UP INSTRUCTIONS</b>	
<small>SIZE:</small> <b>B</b>	<small>DWG. NO.:</small>	<small>REV.:</small> <b>-02</b>	<small>SCALE:</small> NA <small>DO NOT SCALE DRAWING</small> <small>SHEET</small> 1

# 20 FT. TIMBERLINE MODULAR DISPLAY WITH MONITOR

## TL1002F-S20-TV

ITEM NO.	DESCRIPTION	QTY.
1	TIMBERLINE POST	6
2	TIMBERLINE FOOT	6
3	TOP SUPPORT POST	4
4	TIMBERLINE WAVE TOP	2
5	GRAPHIC HEADER	2
6	TIMBERLINE OVERHEAD LAMP	4
7	MONITOR MOUNT ASSEMBLY	2
8	15-3/4" Z-4400 END PIECE	4
9	35-5/8" Z-4400 HORIZONTAL BAR	6
10	41-11/16" Z-4400 HORIZONTAL BAR	4
11	TIMBERLINE MOUNTED SHELF ASSEMBLY	6
12	TIMBERLINE ACCESSORY TABLE	2
13	GRAPHIC HEADER MOUNTING BRACKET	4
14	TIMBERLINE FOOT ATTACHMENT SCREWS	24



THIRD ANGLE PROJECTION 	THE DOCUMENT AND DATA DISCLOSED HEREIN OR HEREUPON IS THE PROPERTY OF NIEDO GROUP, INC. IT IS TO BE REPRODUCED, USED, OR DISCLOSED IN WHOLE OR IN PART TO ANYONE WITHOUT PERMISSION OF NIEDO GROUP, INC.
DIMENSIONS ARE IN MILLIMETERS TOLERANCES UNLESS OTHERWISE SPECIFIED	<b>NIEDO GROUP, INC.</b> 5465 SW WESTERN AVE. BEAVERTON, OR 97005 <b>20 Ft. Timberline Modular Display with Monitor</b> <b>SET UP INSTRUCTIONS</b>
SIZE: B DWG. NO.: SCALE: NA	SHEET 1 REV: -02

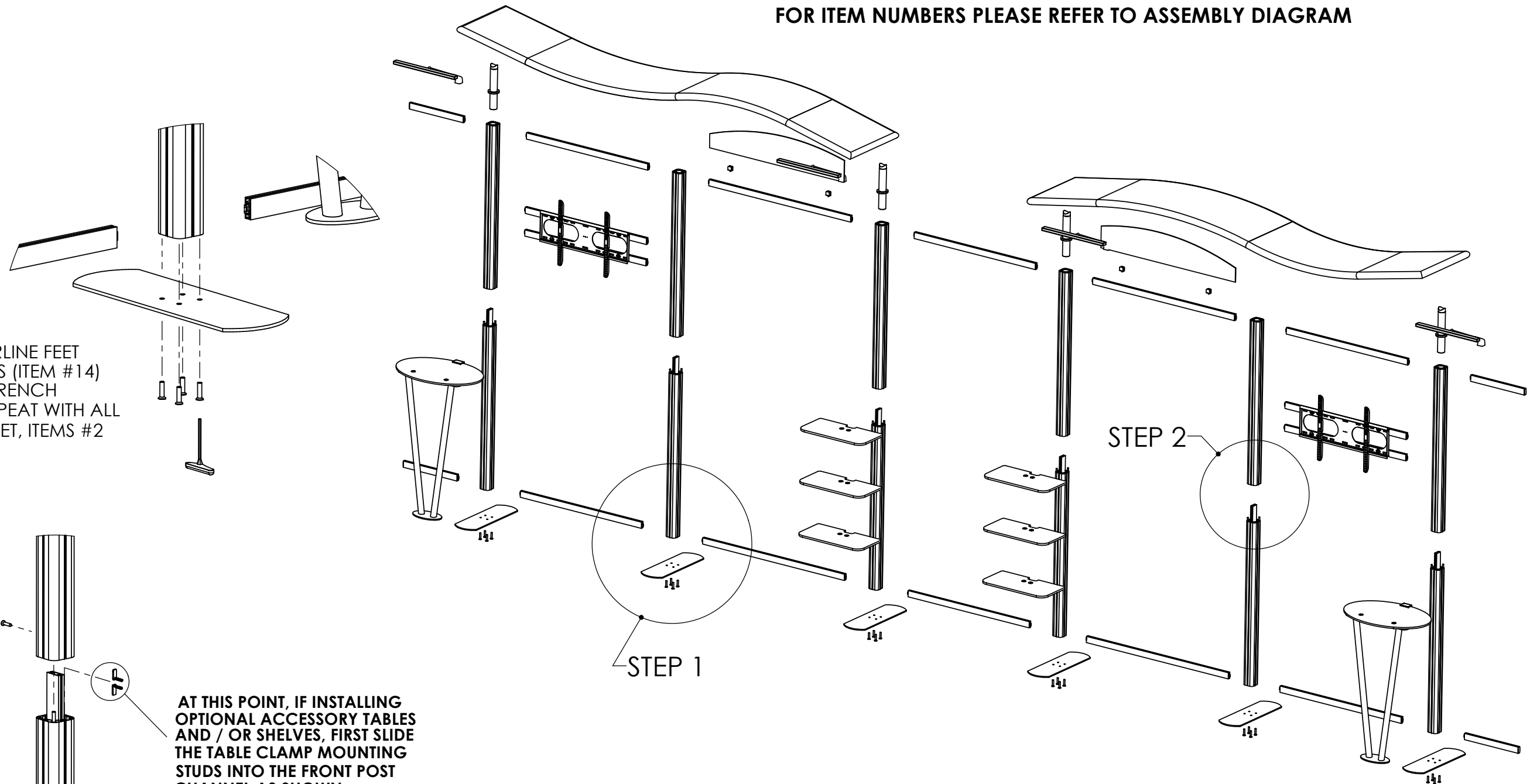
# 20 FT. TIMBERLINE MODULAR DISPLAY WITH MONITOR

## TL1002F-S20-TV

FOR ITEM NUMBERS PLEASE REFER TO ASSEMBLY DIAGRAM

### STEP 1

INSTALL TIMBERLINE FEET WITH 4 SCREWS (ITEM #14) AND ALLEN WRENCH PROVIDED, REPEAT WITH ALL REMAINING FEET, ITEMS #2



AT THIS POINT, IF INSTALLING OPTIONAL ACCESSORY TABLES AND / OR SHELVES, FIRST SLIDE THE TABLE CLAMP MOUNTING STUDS INTO THE FRONT POST CHANNEL AS SHOWN.

### STEP 2

REMOVE SCREW FROM LOWER POST INSERT, SLIDE UPPER POST OVER LOWER POST, INSERT SCREW AND TIGHTEN. REPEAT WITH ALL POSTS. BE CERTAIN THAT HARDWARE IS INSERTED AND VISIBLE FROM BACKSIDE OF FRAME ONLY, AS SHOWN ABOVE.

FINISH:	THIRD ANGLE PERSPECTIVE	PROPERTY: THE DOCUMENT AND DATA DISCLOSED HEREIN OR HEREWITH NOT TO BE REPRODUCED, USED, OR DISCLOSED IN WHOLE OR IN PART TO ANYONE WITHOUT PERMISSION OF NIEDO GROUP, INC.
MATERIAL:	DIMENSIONS ARE IN MILLIMETERS	NIEDO GROUP, INC. 5465 SW WESTERN AVE. BEAVERTON, OR 97005
	TOLERANCES UNLESS OTHERWISE SPECIFIED	20 Ft. Timberline Modular Display with Monitor
		SET UP INSTRUCTIONS
SIZE: B	DWG. NO.:	REV: -02
SCALE: NA	DO NOT SCALE DRAWING	SHEET 1

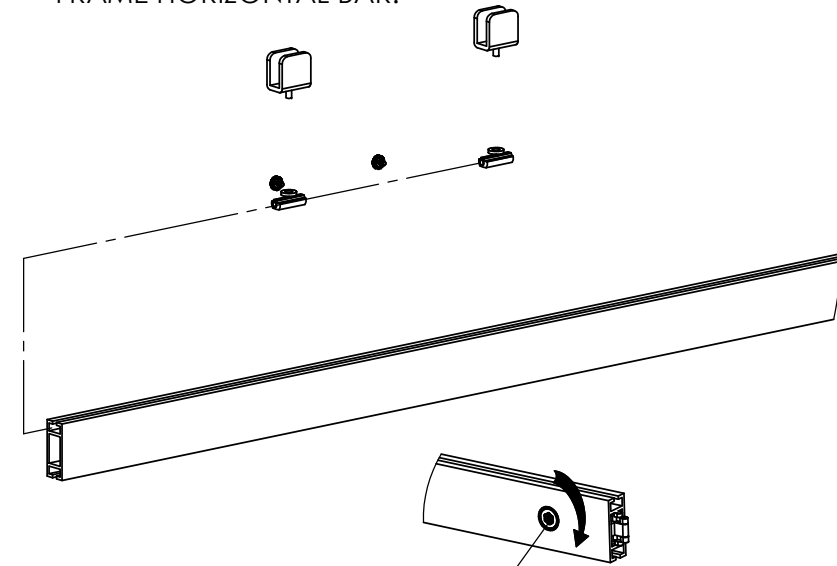
# 20 FT. TIMBERLINE MODULAR DISPLAY WITH MONITOR

## TL1002F-S20-TV

FOR ITEM NUMBERS PLEASE REFER TO ASSEMBLY DIAGRAM

### STEP 3

SLIDE GRAPHIC HEADER BRACKET (ITEM #13) INTO UPPER GROOVE OF TOP FRAME HORIZONTAL BAR.



LOCKING MECHANISM FACES AWAY FROM FRONT OF DISPLAY SO NOT TO BE VISIBLE.

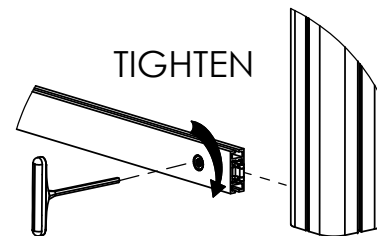
**DETAIL A**  
INTERLOCK MECHANISM TURN TO LOCK REVERSE TO UNLOCK

### STEP 4

- REFER TO ASSEMBLY DIAGRAM AND BILL OF MATERIALS, PAGE 3

**ASSEMBLE FRAME HORIZONTAL BARS #9 & #10, AND END BARS #8 TO THE MAIN POSTS #1**

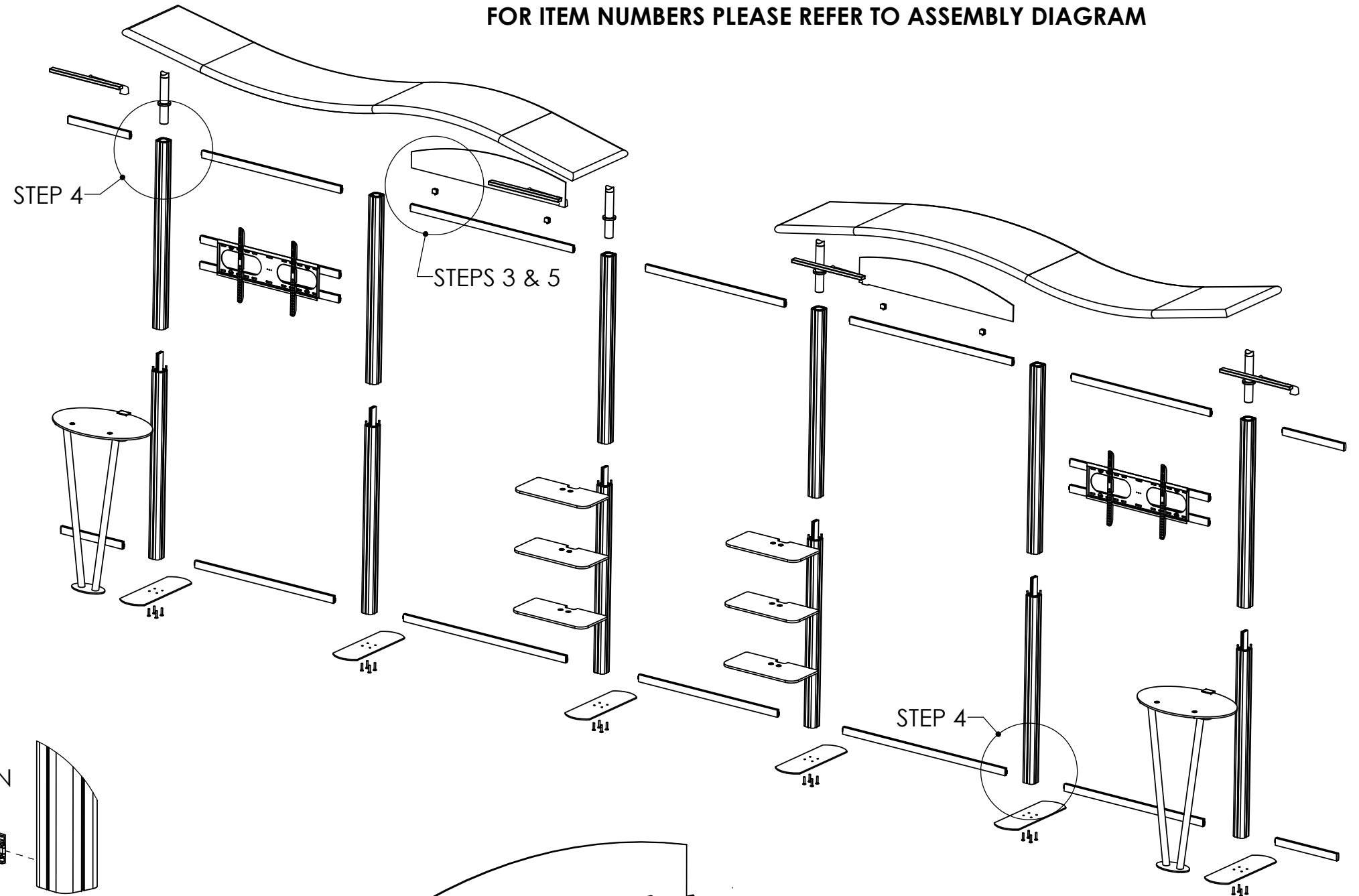
ASSEMBLE BARS TO POSTS BY INSERTING THE END OF THE LOCKING MECHANISM FULLY INTO POST CHANNEL THEN TURNING THE SOCKET HEAD ADJUSTMENT CLOCKWISE TO LOCK THE HORIZONTAL BAR IN PLACE. THIS PROCESS IS USED FOR ASSEMBLING TOP AND BOTTOM BARS ON THE FRAME. DISASSEMBLE BY TURNING THE ADJUSTMENT COUNTERCLOCKWISE TO DISENGAGE. BE CERTAIN THAT THE INTERLOCK ADJUSTMENT IS INSIDE AND AWAY FROM THE FRONT OF THE DISPLAY TO AVOID BEING VISIBLE.



### STEP 5

**(GRAPHIC HEADER ATTACHMENT)**

ATTACH HEADER INTO PREVIOUSLY INSTALLED HEADER BRACKETS. SIMPLY SLIDE IN AND FINGER TIGHTEN THUMB SCREWS.



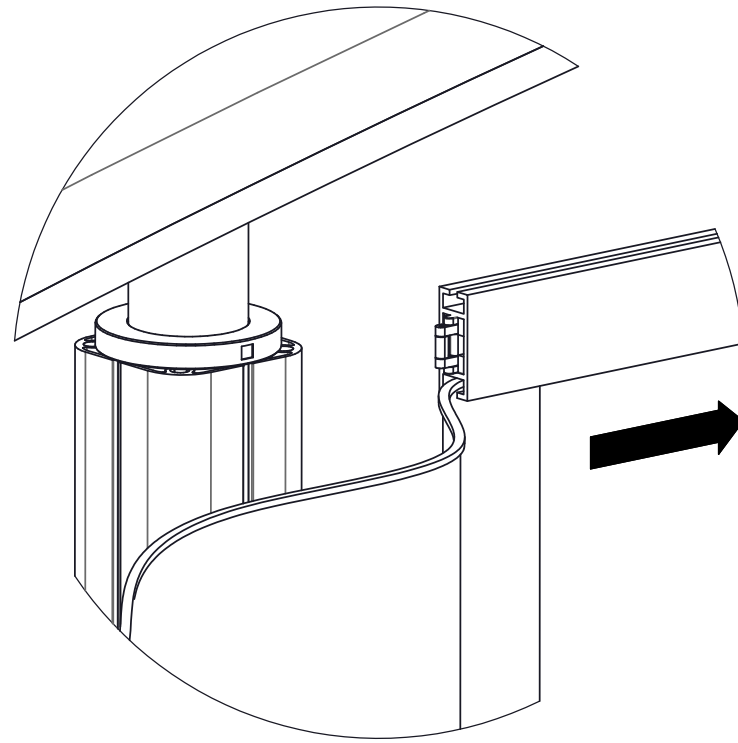
THIRD ANGLE PROJECTION 		THE DOCUMENT AND DATA DISCLOSED HEREIN OR HEREWITH NOT TO BE REPRODUCED, USED, OR DISCLOSED IN WHOLE OR IN PART TO ANYONE WITHOUT PERMISSION OF NIEDO GROUP, INC.	
MATERIAL: DIMENSIONS ARE IN MILLIMETERS TOLERANCES UNLESS OTHERWISE SPECIFIED		<b>NIEDO GROUP, INC.</b> 5465 SW WESTERN AVE. BEAVERTON, OR 97005 <b>20 Ft. Timberline Modular Display with Monitor</b> <b>SET UP INSTRUCTIONS</b>	
SIZE: <b>B</b>	DWG. NO.:	REV: <b>-02</b>	SHEET: <b>1</b>
SCALE: NA		DO NOT SCALE DRAWING	

8 7 6 5 4 3 2 1

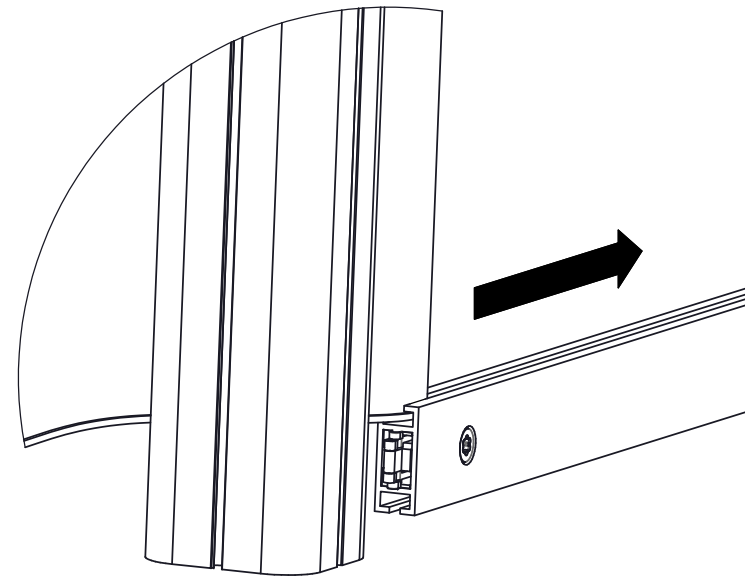
**20 Ft. Timberline Modular Display with Monitor  
TL1002F-S20-TV**

**STEP 6**

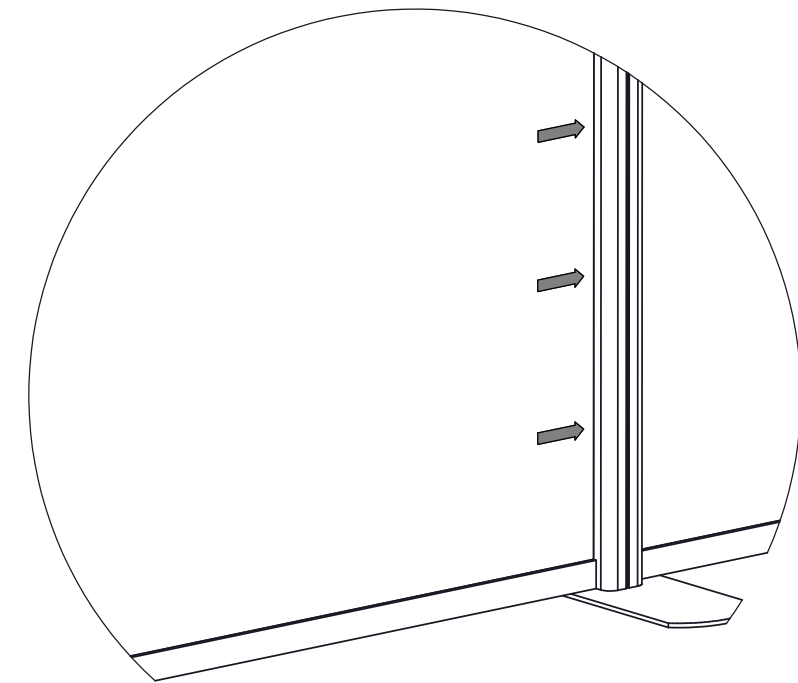
(GRAPHIC ATTACHMENT) THIS INSTRUCTION IS RELEVANT TO FRAME, END PANELS AND HORIZONTAL BARS.



SLIDE GRAPHICS INTO BOTTOM CHANNEL OF TOP HORIZONTAL SUPPORT BAR THEN CONNECT THE SUPPORT BAR TO POSTS AT BOTH ENDS AS PER STEP 4



SLIDE GRAPHICS INTO TOP CHANNEL OF BOTTOM HORIZONTAL SUPPORT BAR THEN CONNECT THE SUPPORT BAR TO POSTS AT BOTH ENDS AS PER STEP 4



WHEN TOP AND BOTTOM HORIZONTAL SUPPORT BARS ARE ATTACHED, THE GRAPHIC SIDES MAY BE TUCKED INTO THE VERTICAL CHANNELS OF THE MAIN POST ON BOTH SIDES

<small>FINISH:</small> <small>MATERIAL:</small>		<small>THIRD ANGLE PROJECTION</small> 	<small>PROPERTY:</small> <small>THIS DOCUMENT AND DATA DISCLOSED HEREIN OR HEREWITH NOT TO BE REPRODUCED, USED, OR DISCLOSED IN WHOLE OR IN PART TO ANYONE WITHOUT PERMISSION OF NIEDO GROUP, INC.</small>
<small>DIMENSIONS ARE IN MILLIMETERS</small> <small>TOLERANCES UNLESS OTHERWISE SPECIFIED</small>		<b>NIEDO GROUP, INC.</b>	<b>5465 SW WESTERN AVE. BEAVERTON, OR 97005</b>
		<small>TITLE</small> <b>10 Ft. Timberline Modular Display with Monitor SET UP INSTRUCTIONS</b>	
<small>REV</small>	<small>DATE</small>	<small>BY</small>	<small>CHKD</small>
			<b>02</b>
<small>SCALE:</small>		<small>DO NOT SCALE DRAWING</small>	<small>SHEET</small> <b>6</b>

8 7 6 5 4 3 2 1

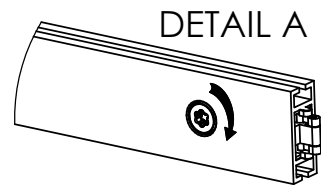
# 20 FT. TIMBERLINE MODULAR DISPLAY WITH MONITOR

## TL1002F-S20-TV

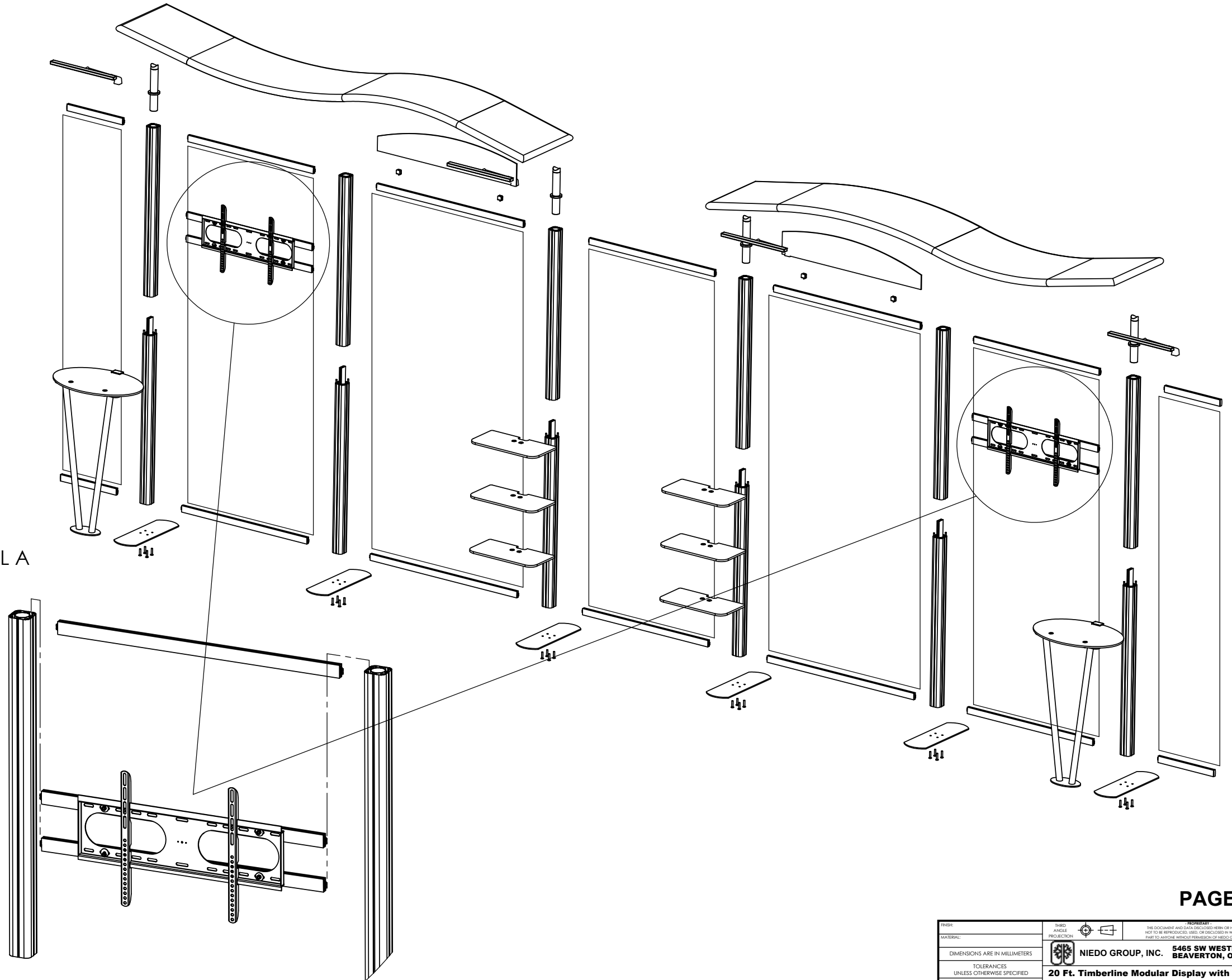
D  
C  
B  
A

### STEP 7

SLIDE MONITOR MOUNT ASSEMBLY #7 DOWNWARDS INTO GROOVE IN TOP OF POSTS TO DESIRED HEIGHT AND TIGHTEN ADJUSTER/LOCKS AS IN DETAIL A TO SECURE THE MONITOR MOUNT.



INTERLOCK MECHANISM  
TURN TO LOCK  
REVERSE TO UNLOCK



<small>FINISH:</small> <small>MATERIAL:</small>		<small>THIRD ANGLE PROJECTION</small> 	<small>PROPERTY:</small> <small>THE DOCUMENT AND DATA DISCLOSED HEREIN OR HEREWITH ARE NOT TO BE REPRODUCED, USED, OR DISCLOSED IN WHOLE OR IN PART TO ANYONE WITHOUT PERMISSION OF NIEDO GROUP, INC.</small>
<small>DIMENSIONS ARE IN MILLIMETERS</small> <small>TOLERANCES UNLESS OTHERWISE SPECIFIED</small>		<b>NIEDO GROUP, INC.</b> <b>20 Ft. Timberline Modular Display with Monitor</b>	<b>5465 SW WESTERN AVE.</b> <b>BEAVERTON, OR 97005</b>
<small>SIZE:</small> <b>B</b>	<small>DWG. NO.:</small>	<small>REV.:</small> <b>-02</b>	<small>SCALE:</small> NA <small>DO NOT SCALE DRAWING</small> <small>SHEET</small> 1

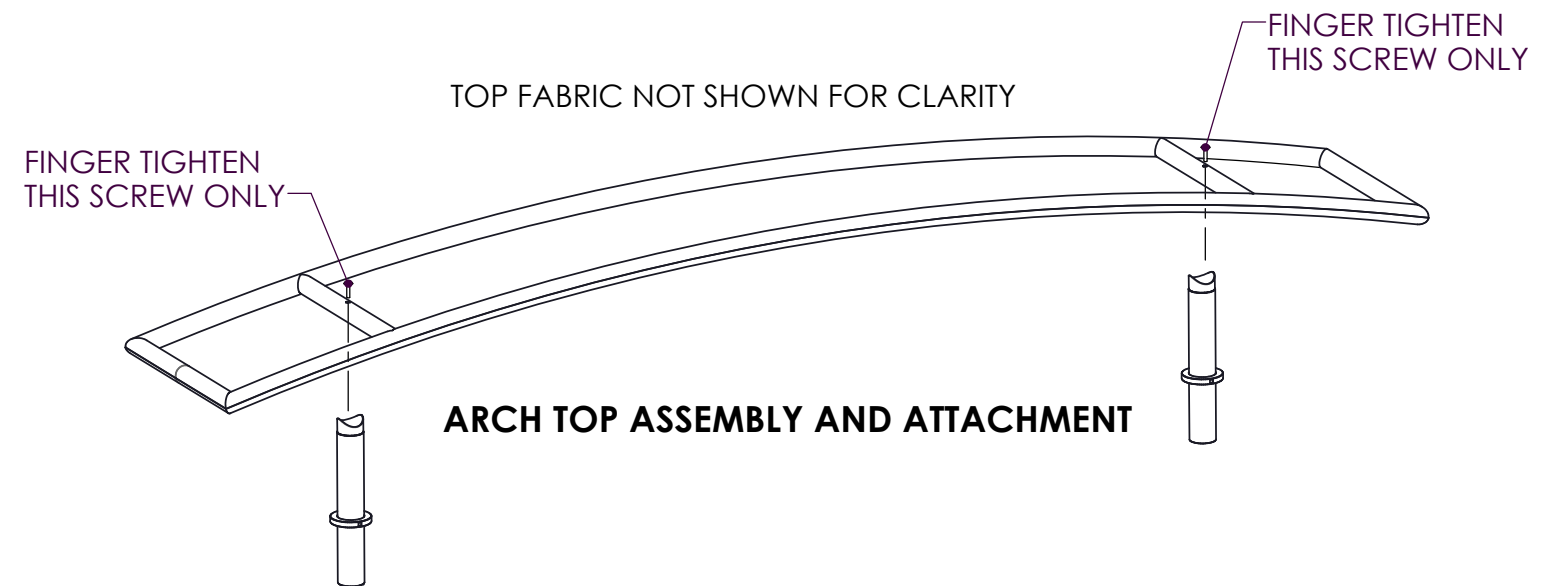
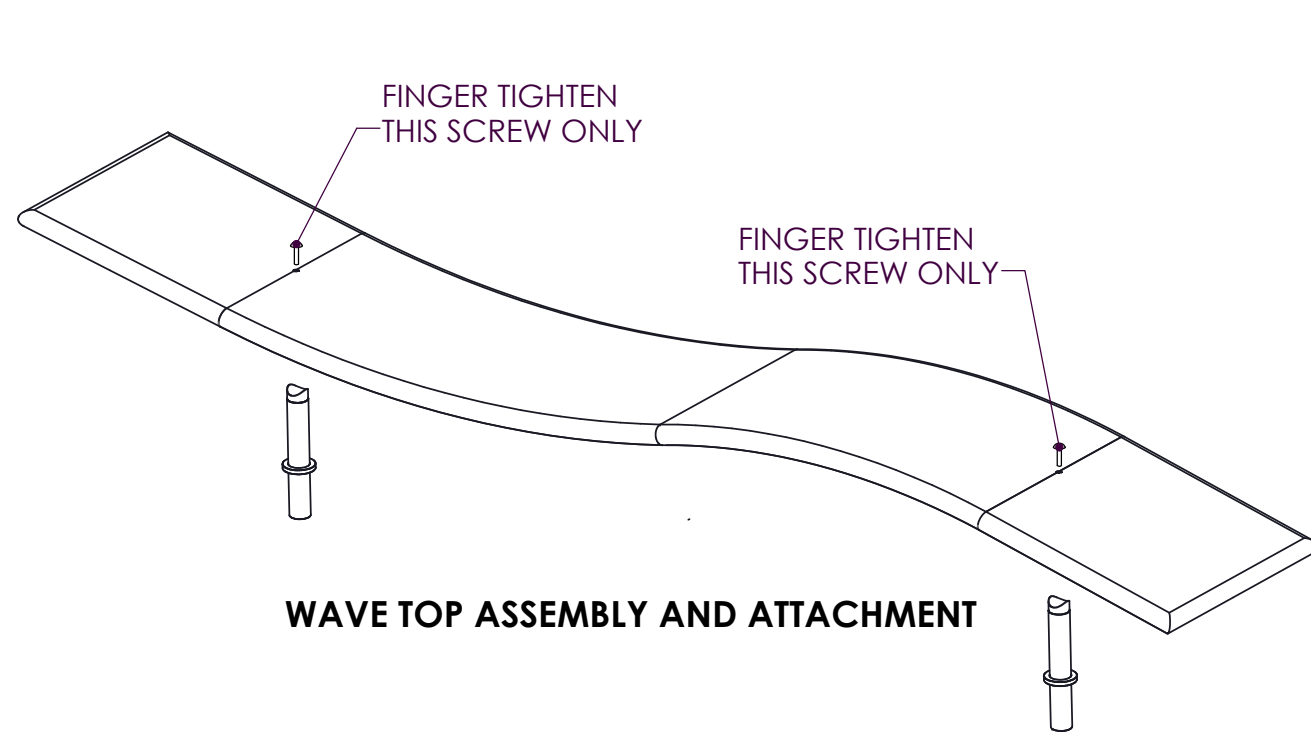
8 7 6 5 4 3 2 1

**20 Ft. Timberline Modular Display with Monitor  
TL1002F-S20-TV**

**FOR ITEM #s PLEASE REFER  
TO ASSEMBLY DIAGRAM**

**STEP 8**  
( TOP ASSEMBLY AND ATTACHMENT )

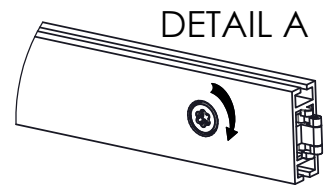
COMPONENTS OF THE WAVE TOP FRAME ARE LABELED FOR EASY ASSEMBLY. WHEN THE WAVE TOP FRAME IS ASSEMBLED SLIDE THE FABRIC COVER OVER LIKE A PILLOW CASE AND ZIP UP. WHEN THE COVER IS ON THE FRAME, INSERT THE MOUNTING SCREWS THROUGH THE HOLES PROVIDED AND THREAD INTO THE WAVE TOP SUPPORT POST (ITEM#3) IN THE BOTTOM SIDE, BE SURE TO FINGER TIGHTEN ONLY. WAVE TOP SUPPORT POST AND FRAME/SKIN ASSEMBLY MAY NOW BE INSERTED INTO THE TOP OF DESIGNATED TIMBERLINE POSTS (ITEM #1)



<small>FINISH:</small> <small>MATERIAL:</small> <small>TOLERANCES UNLESS OTHERWISE SPECIFIED</small>		<small>THIRD ANGLE PROJECTION</small> 	<small>PROPERTY:</small> <small>THE DOCUMENT AND DATA DISCLOSED HEREIN OR HEREON IS NOT TO BE REPRODUCED, USED, OR DISCLOSED IN WHOLE OR IN PART TO ANYONE WITHOUT PERMISSION OF NIEDO GROUP, INC.</small>
<small>DIMENSIONS ARE IN MILLIMETERS</small>		<b>NIEDO GROUP, INC.</b>	<b>5465 SW WESTERN AVE. BEAVERTON, OR 97005</b>
<small>SEE DWG. NO.</small>		<small>TITLE</small> <b>20 Ft. Timberline Modular Display with Monitor</b>	
<small>SCALE:</small>		<small>DO NOT SCALE DRAWING</small>	
<small>SHEET</small>		<small>6</small>	
<small>REV</small>		<small>02</small>	



**20 Ft. Timberline Modular Display with Monitor  
TL1002F-S20-TV**



**INTERLOCK MECHANISM  
TURN TO LOCK  
REVERSE TO UNLOCK**

TIMBERLINE STRAIGHT END  
PANELS ARE ATTACHED WITH  
2X 15.75" Z-4400 EXTRUSIONS  
AND INTERLOCK MECHANISM  
AS SHOWN IN DETAIL A

END PANEL GRAPHIC  
ATTACHED AS IN **STEP 6**

2X 15.75" Z-4400  
END PIECES

TIMBERLINE POST

**STRAIGHT SIDES ASSEMBLY DETAIL**

TIMBERLINE TAPERED END  
PANELS ARE ATTACHED WITH  
1X 15.75" Z-4400 EXTRUSION  
AT THE TOP AND 1X 8.75" Z-4400  
AT BOTTOM. BOTH EXTRUSIONS  
ARE FASTENED TO POST USING  
THE INTERLOCK MECHANISM  
SHOWN IN DETAIL A

15.75" Z-4400 EXTRUSION

END PANEL GRAPHIC  
ATTACHED AS IN **STEP 6**

TIMBERLINE POST

8.75" Z-4400 EXTRUSION

**TAPERED SIDES ASSEMBLY DETAIL**

TIMBERLINE METAL FUSION ROUNDED  
AND TAPERED END PANELS ARE  
ATTACHED WITH GRAPHICS HEADER  
MOUNTING BRACKETS, ITEM #13.  
BRACKETS SLIDE INTO THE CHANNEL ON  
THE TIMBERLINE POST AND ARE  
POSITIONED AS SHOWN. SLIDE THE METAL  
FUSION PANEL INTO THE BRACKETS AND  
FINGER TIGHTEN THE THUMB SCREWS.

GRAPHIC HEADER  
MOUNTING BRACKET  
(ITEM #13)

METAL FUSION  
ROUNDED END PANEL

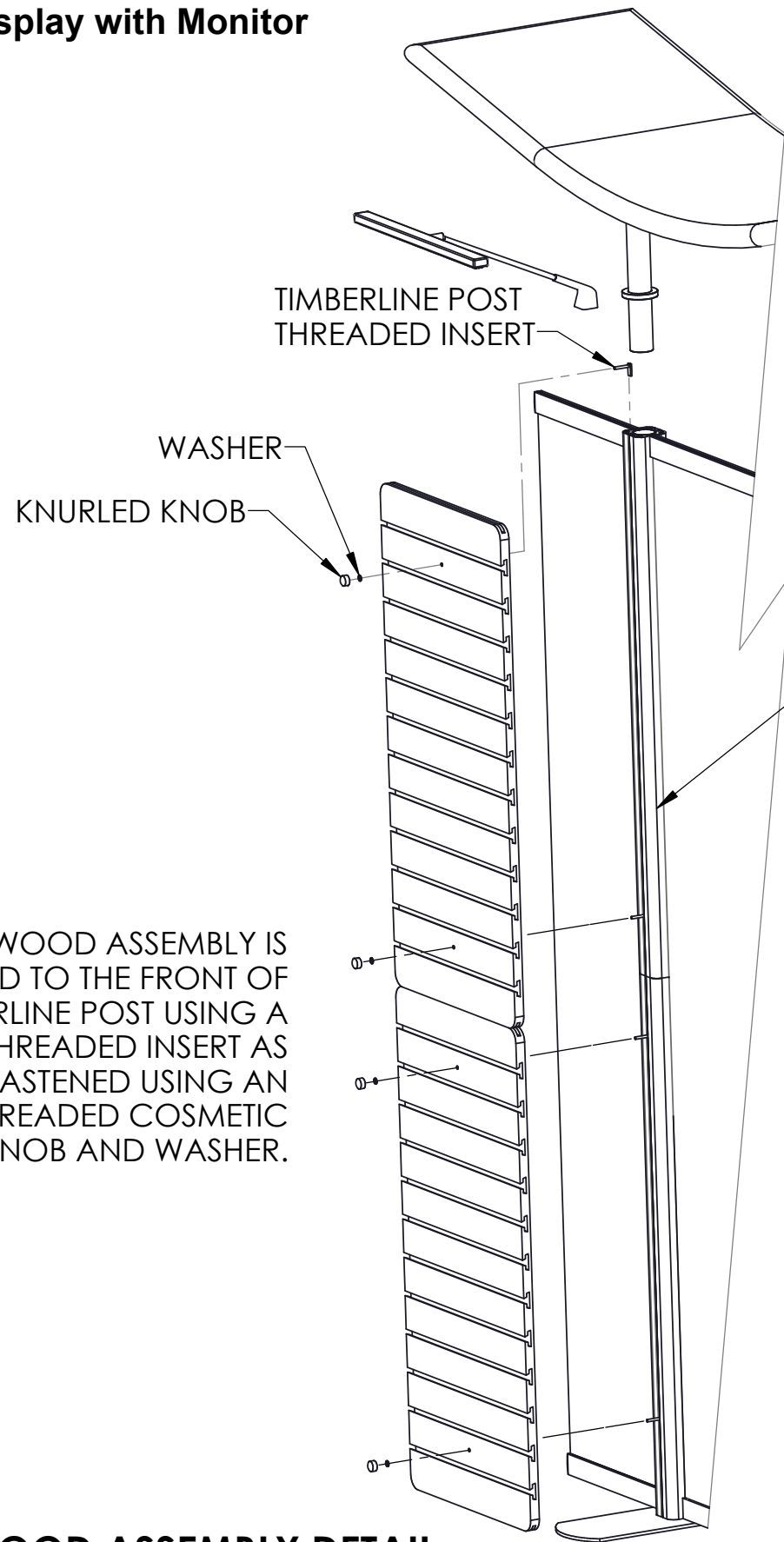
METAL FUSION  
TAPERED END PANEL

TIMBERLINE POST

**METAL FUSION END PANELS**

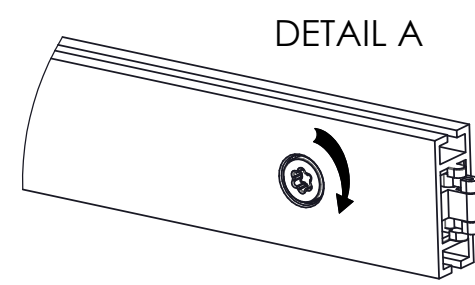
<p>FRSH: _____</p> <p>MATERIAL: _____</p> <p>DIMENSIONS ARE IN MILLIMETERS UNLESS OTHERWISE SPECIFIED</p>	<p>THIRD ANGLE PROJECTION</p> <p></p> <p>TOLERANCES UNLESS OTHERWISE SPECIFIED</p>	<p>PROPERTY: _____</p> <p>THE DOCUMENT AND DATA DISCLOSED HEREIN OR HEREBY IS NOT TO BE REPRODUCED, USED, OR DISCLOSED IN WHOLE OR IN PART TO ANYONE WITHOUT PERMISSION OF NIEDO GROUP, INC.</p> <p><b>NIEDO GROUP, INC.</b> 5465 SW WESTERN AVE. BEAVERTON, OR 97005</p> <p>TITLE: <b>20 Ft. Timberline Modular Display with Monitor SET UP INSTRUCTIONS</b></p> <p>REV: <b>02</b></p> <p>SCALE: _____</p> <p>DO NOT SCALE DRAWING SHEET</p>
---------------------------------------------------------------------------------------------------------------	------------------------------------------------------------------------------------	-------------------------------------------------------------------------------------------------------------------------------------------------------------------------------------------------------------------------------------------------------------------------------------------------------------------------------------------------------------------------------------------------------------------------------------------------------

**20 Ft. Timberline Modular Display with Monitor  
TL1002F-S20-TV**



THE SLAT WALL WOOD ASSEMBLY IS ATTACHED TO THE FRONT OF THE TIMBERLINE POST USING A SLIDING THREADED INSERT AS SHOWN, AND FASTENED USING AN INTERNALLY THREADED COSMETIC KNURLED KNOB AND WASHER.

**SLAT WALL WOOD ASSEMBLY DETAIL**



**INTERLOCK MECHANISM**  
TURN TO LOCK  
REVERSE TO UNLOCK

TIMBERLINE POST

THE SLAT WALL WING ASSEMBLY IS ATTACHED TO THE SIDES OF THE TIMBERLINE POST USING A FRAMEWORK OF Z4400 EXTRUSION AND INTERLOCK MECHANISM, AS SHOWN.

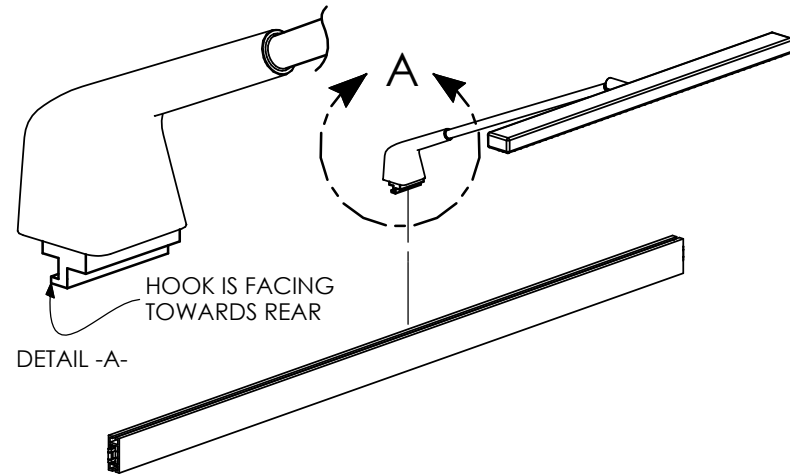
Z-4400  
EXTRUSION

TIMBERLINE  
POST

**SLAT WALL WINGS ASSEMBLY DETAIL**

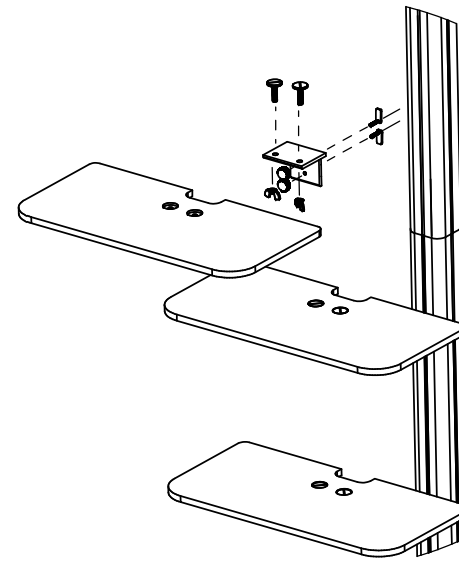
<small>PROPERTY</small> <small>THE DOCUMENT AND DATA DISCLOSED HEREIN OR HEREINAFTER IS THE PROPERTY OF NIEDO GROUP, INC. IT IS TO BE REPRODUCED, USED, OR DISCLOSED IN WHOLE OR IN PART TO ANYONE WITHOUT PERMISSION OF NIEDO GROUP, INC.</small>		<small>THIRD ANGLE PROJECTION</small> 
<small>MATERIAL:</small> DIMENSIONS ARE IN MILLIMETERS <small>TOLERANCES UNLESS OTHERWISE SPECIFIED</small>		<b>NIEDO GROUP, INC.</b> 5465 SW WESTERN AVE. BEAVERTON, OR 97005
<b>20 Ft. Timberline Modular Display with Monitor</b> <b>SET UP INSTRUCTIONS</b>		
<small>REV</small> <b>02</b>	<small>SCALE:</small> DO NOT SCALE DRAWING	<small>SHEET</small> <b>01</b>

# 20 FT. TIMBERLINE MODULAR DISPLAY TL1002F-S20-TV



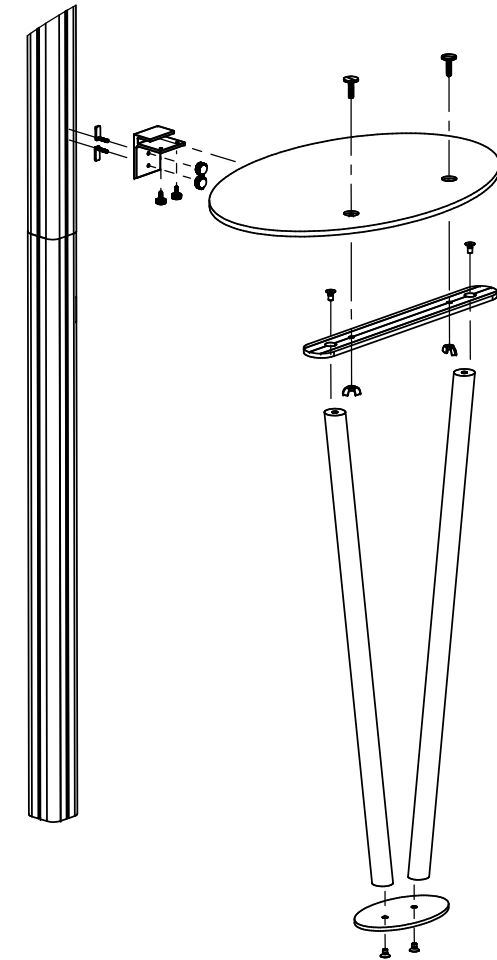
## OVERHEAD LAMPS

SLIDE THE BASE ADAPTER INTO THE BOTTOM OF THE LAMP. THEN SLIDE THE LAMP INTO THE TOP GROOVE OF THE HORIZONTAL SUPPORT.



## TIMBERLINE SHELVES

ATTACH BRACKETS INTO VERTICAL POSTS AND TIGHTEN. PLACE ACRYLIC SHELVES ON TOP OF BRACKET AND SECURE USING LARGE BOLTS AND WING NUTS.

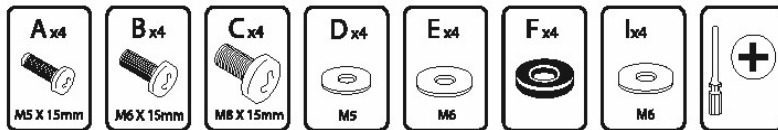


## TIMBERLINE TABLE

**(ALL HARDWARE IS PROVIDED)**  
ASSEMBLE TABLE LEGS TOGETHER WITH THE TOP AND BOTTOM BASE PLATES AND SCREWS. THEN ATTACH THE ACRYLIC TABLE TOP WITH THE LARGE BOLTS AND WING NUTS TO TOP OF BASE PLATE ON LEGS. ATTACH CLAMP TO BACK OF ACRYLIC TABLE TOP FOR INSERTION INTO VERTICAL POSTS.

## TL1007 Monitor Mount for 30-50 LCD

**Each Kit includes: 1 monitor mount w/ bars attached, 12 screws & 16 washers**

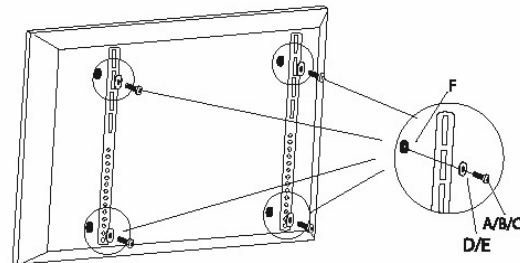


**Safety Warning:** Be careful to make sure there are no missing or defective parts. Never use defective parts. Improper installation may cause damage or serious injury.

### STEP 1

#### Installing bars to your LCD monitor

- 1) To ensure optimal installation, this kit includes various screws of different diameters and lengths.
- 2) Place your TV screen down on a soft, flat surface and locate the threaded mounting points that are located on the back of the display.
- 3) Determine which screw (A/B/C) is of the correct length by carefully inserting a straw or toothpick and mark how deep the mounting point is.
- 4) If your display has a curved back or a recessed thread mounting point, a spacer (F) must be used.
- 5) Place the spacer (F) between the mounting bracket and display.
- 6) According to the size of the display's hole, choose the corresponding screw and hole on the rectangle washer, then thread them in line.



**Notice:** First, if the TV back is accurate you will need to use (F), if it's flat that is unnecessary. Second, the choice of screw (A/B/C) should be according to the size and depth of the install aperture in the back of the TV.

<small>THIRD ANGLE PROJECTION</small> 	<small>PROPERTY</small> <small>THIS DOCUMENT AND DATA DISCLOSED HEREIN OR HEREINAFTER IS NOT TO BE REPRODUCED, USED, OR DISCLOSED IN WHOLE OR IN PART TO ANYONE WITHOUT PERMISSION OF NIEDO GROUP, INC.</small>
<small>MATERIAL:</small> DIMENSIONS ARE IN MILLIMETERS <small>TOLERANCES UNLESS OTHERWISE SPECIFIED</small>	<b>NIEDO GROUP, INC.</b> 5465 SW WESTERN AVE. BEAVERTON, OR 97005 <b>80 Ft. Wave Top Modular Display WITH MONITOR</b> <b>SET UP INSTRUCTIONS</b>
<small>SCALE:</small> DO NOT SCALE DRAWING	<small>REV</small> <b>01</b>