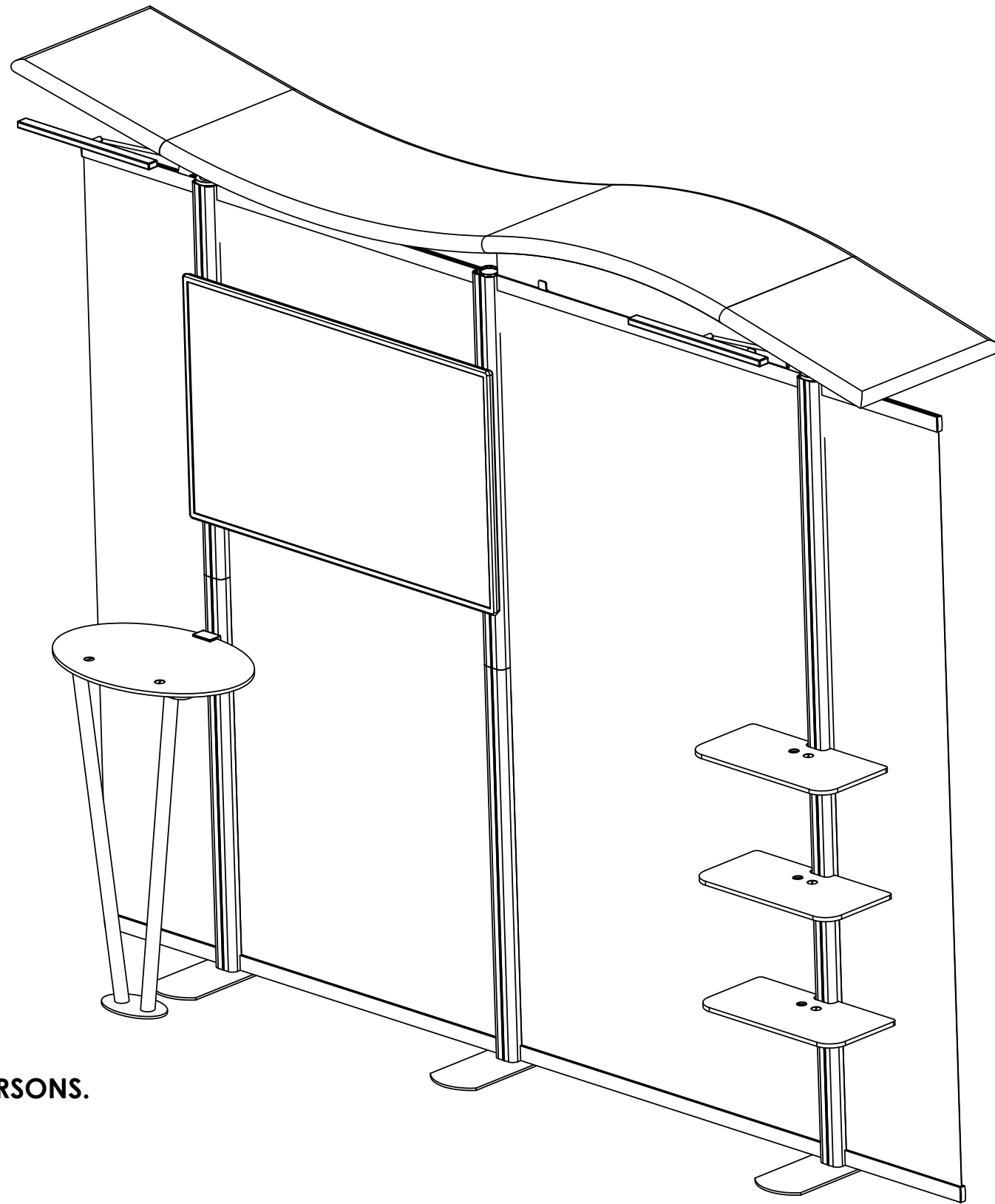


8 7 6 5 4 3 2 1

10 Ft. Timberline Modular Display

TL1002F-S-TV




NOTE: UNLESS OTHERWISE SPECIFIED

1. SETUP TIME PER 10FT. SECTION IS 2-3 HOURS WITH 2 PERSONS.

SET-UP MANUAL

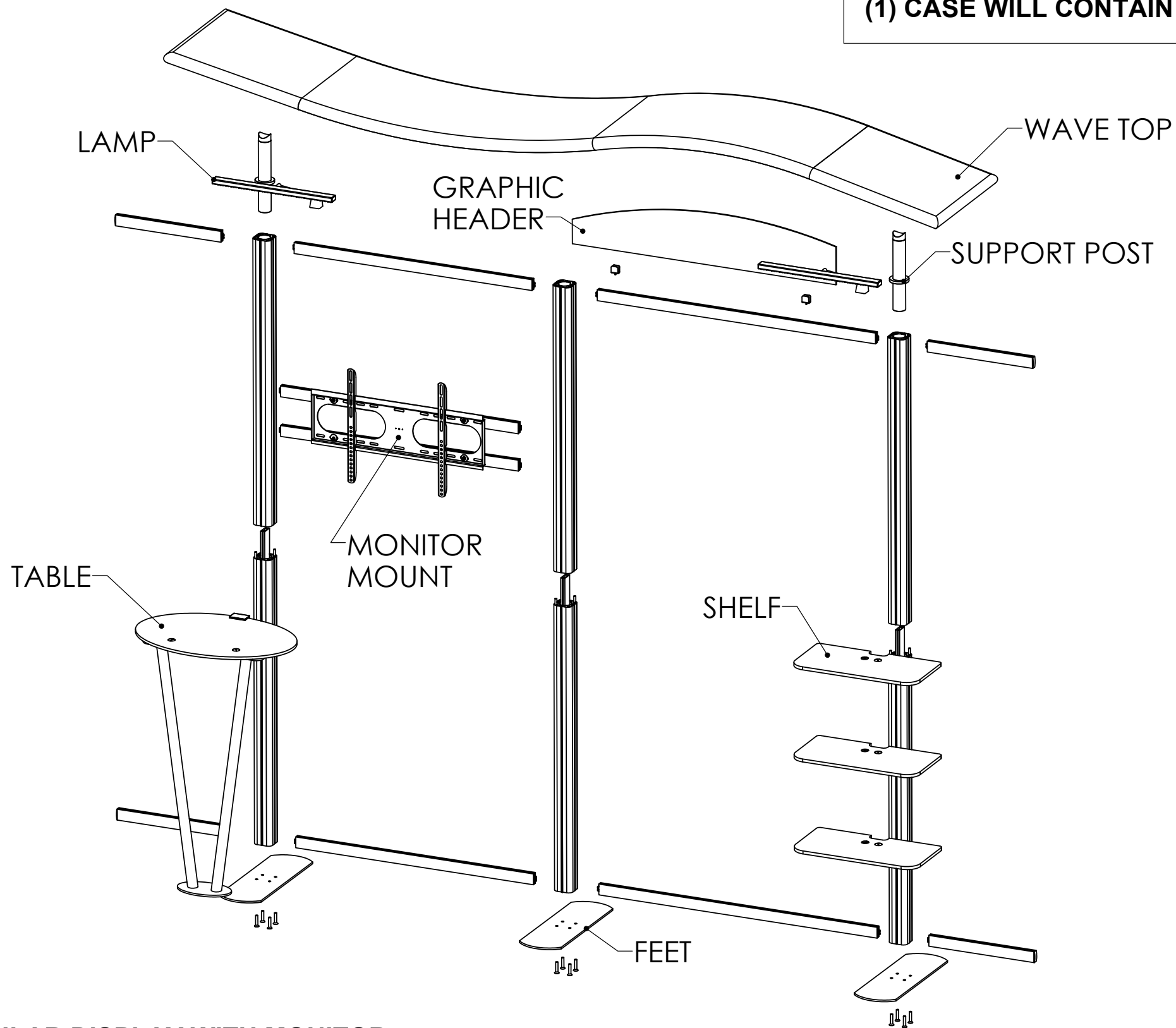


FINISH:	THIRD ANGLE PROJECTION	PROPERTY: THIS DOCUMENT AND DATA DISCLOSED HEREIN OR HEREWITH IS NOT TO BE REPRODUCED, USED, OR DISCLOSED IN WHOLE OR IN PART TO ANYONE WITHOUT PERMISSION OF NIEDO GROUP, INC.
MATERIAL:		
DIMENSIONS ARE IN MILLIMETERS	 NIEDO GROUP, INC. 5465 SW WESTERN AVE. BEAVERTON, OR 97005	
TOLERANCES UNLESS OTHERWISE SPECIFIED	10 Ft. Timberline Modular Display with Monitor SET UP INSTRUCTIONS	
REV: B	DWG. NO.:	REV: -02
SCALE: NA	DO NOT SCALE DRAWING	SHEET 1

8 7 6 5 4 3 2 1

8 7 6 5 4 3 2 1

TL1002F-S-TV
(1) MOLDED PLASTIC WHEELED CASE
(1) CASE WILL CONTAIN DYE-SUB FABRIC PANEL

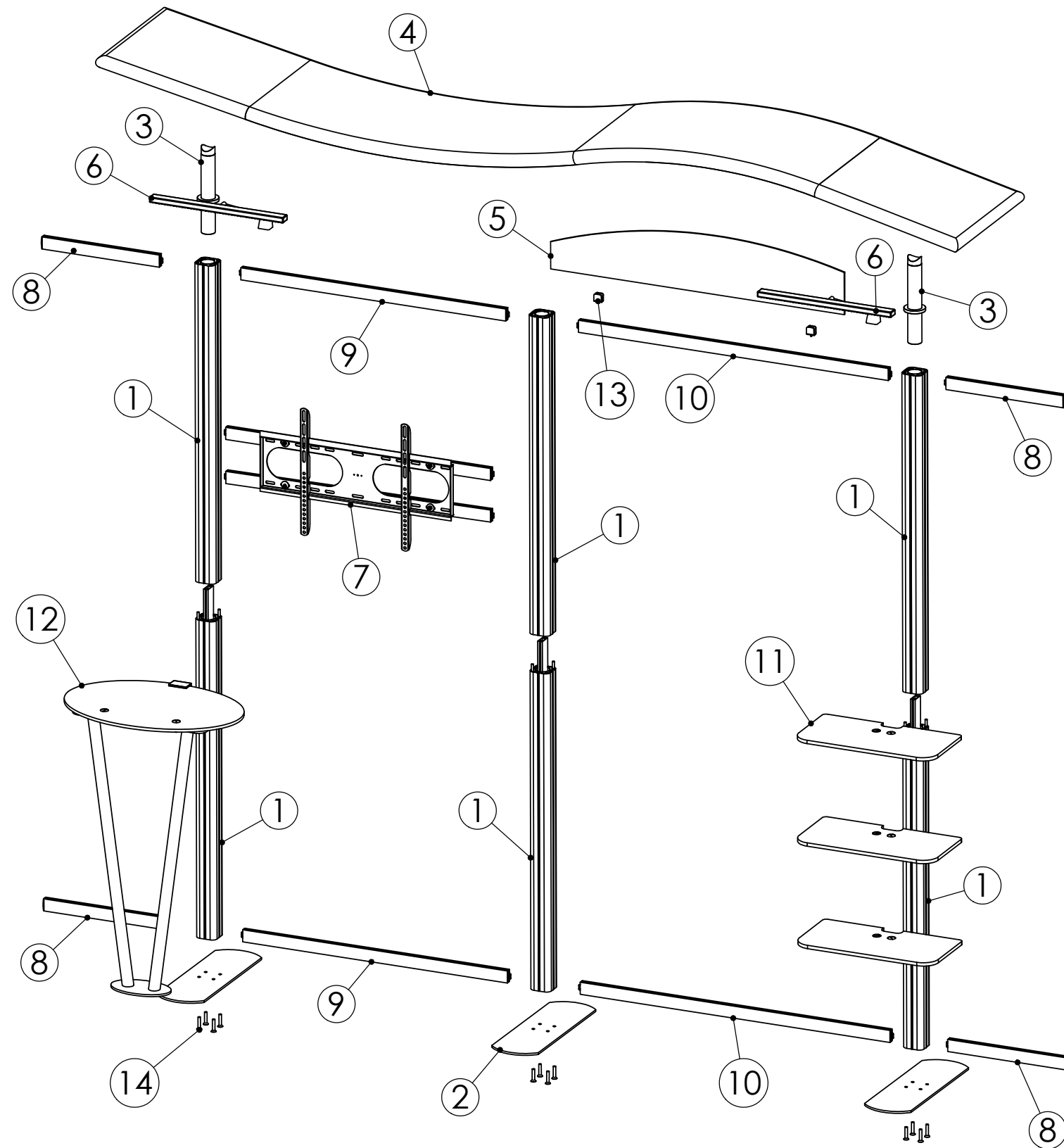


10 FT. TIMBERLINE MODULAR DISPLAY WITH MONITOR

<small>FINISH:</small> <small>MATERIAL:</small>		NIEDO GROUP, INC. <small>5465 SW WESTERN AVE. BEAVERTON, OR 97005</small>	<small>PROPERTY:</small> <small>THE DOCUMENT AND DATA DISCLOSED HEREIN OR HEREWITH NOT TO BE REPRODUCED, USED, OR DISCLOSED IN WHOLE OR IN PART TO ANYONE WITHOUT PERMISSION OF NIEDO GROUP, INC.</small>
<small>DIMENSIONS ARE IN MILLIMETERS</small> <small>TOLERANCES</small> <small>UNLESS OTHERWISE SPECIFIED</small>			
<small>SCALE: NA</small> <small>DO NOT SCALE DRAWING</small>		<small>SHEET</small> 1	<small>REV.</small> -03

8 7 6 5 4 3 2 1

10 FT. TIMBERLINE MODULAR DISPLAY WITH MONITOR
TL1002F-S-TV



ITEM NO.	DESCRIPTION	QTY.
1	TIMBERLINE POST	3
2	TIMBERLINE FOOT	3
3	TOP SUPPORT POST	2
4	TIMBERLINE TOP	1
5	GRAPHIC HEADER	1
6	TIMBERLINE OVERHEAD LAMP	2
7	MONITOR MOUNT ASSEMBLY	1
8	15-3/4" Z-4400 END PIECE	4
9	35-5/8" Z-4400 HORIZONTAL BAR	2
10	41-11/16" Z-4400 HORIZONTAL BAR	2
11	TIMBERLINE MOUNTED SHELF ASSEMBLY	3
12	TIMBERLINE ACCESSORY TABLE	1
13	GRAPHIC HEADER MOUNTING BRACKET	2
14	TIMBERLINE FOOT ATTACHMENT SCREWS	12

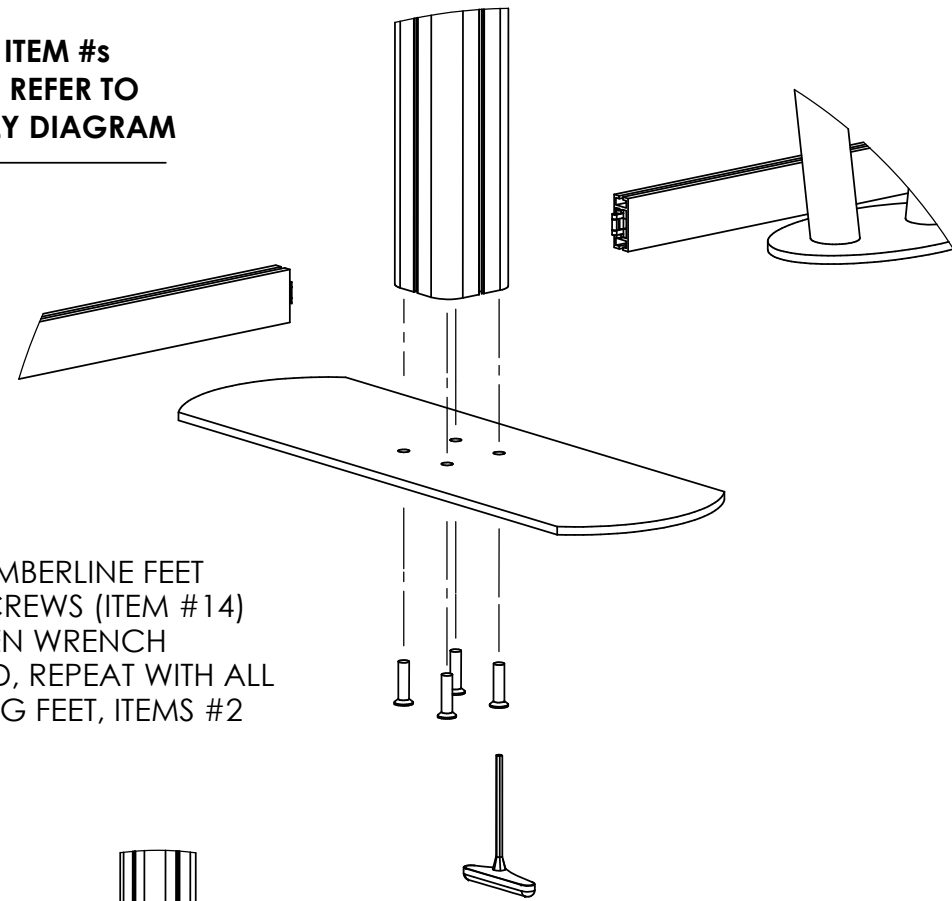
FINISH:	THIRD ANGLE PROJECTION	PROPERTY: THE DOCUMENT AND DATA DISCLOSED HEREIN OR HEREWITH NOT TO BE REPRODUCED, USED, OR DISCLOSED IN WHOLE OR IN PART TO ANYONE WITHOUT PERMISSION OF NIEDO GROUP, INC.
MATERIAL:	DIMENSIONS ARE IN MILLIMETERS	NIEDO GROUP, INC. 5465 SW WESTERN AVE. BEAVERTON, OR 97005
TOLERANCES UNLESS OTHERWISE SPECIFIED	10 Ft. Timberline Modular Display with Monitor	
SET UP INSTRUCTIONS		REV: -03
SIZE: B	DWG. NO.:	SHEET 1
SCALE: NA	DO NOT SCALE DRAWING	

10 FT. TIMBERLINE MODULAR DISPLAY WITH MONITOR
TL1002F-S-TV

FOR ITEM #s
PLEASE REFER TO
ASSEMBLY DIAGRAM

STEP 1

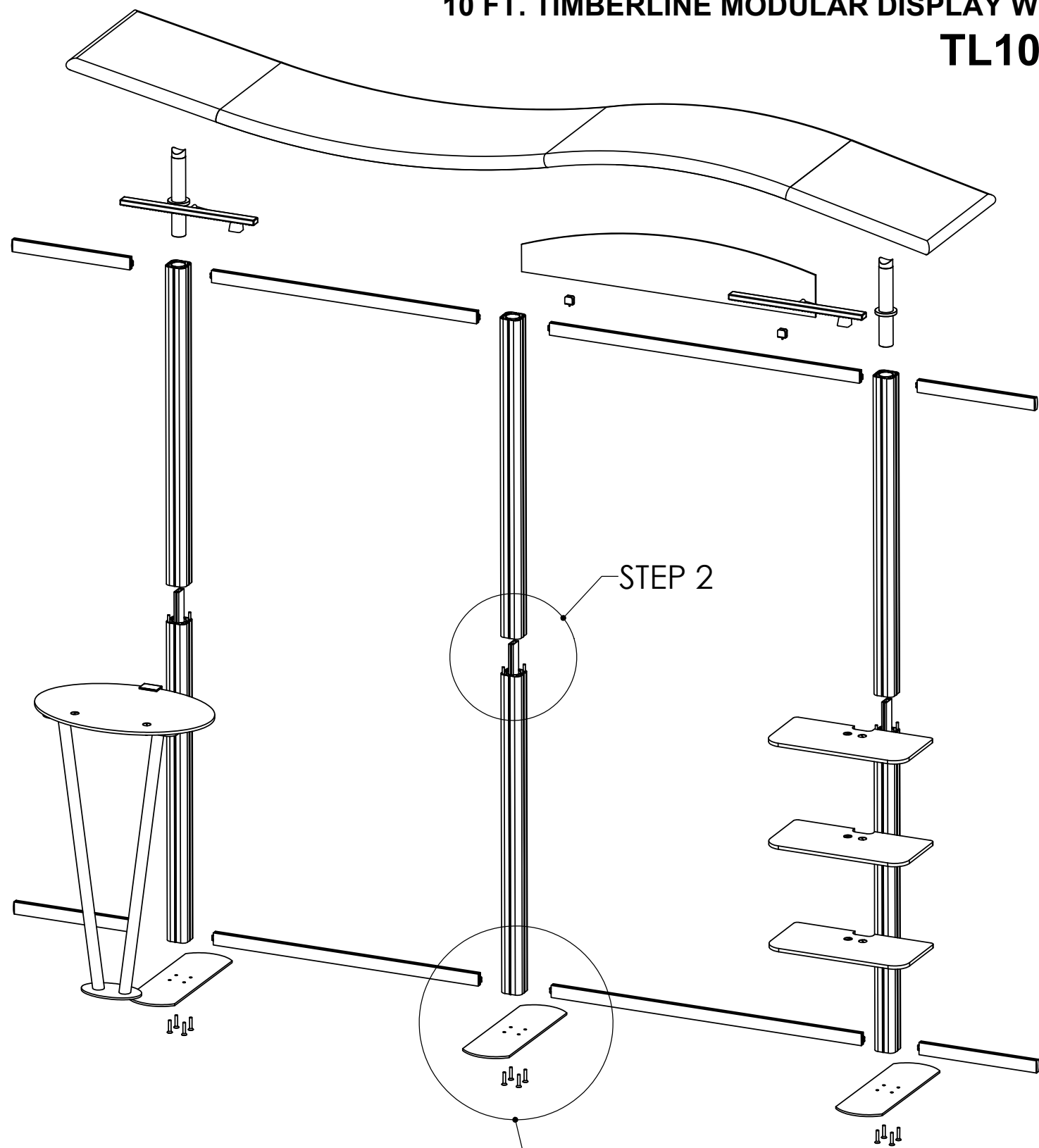
INSTALL TIMBERLINE FEET
WITH 4 SCREWS (ITEM #14)
AND ALLEN WRENCH
PROVIDED, REPEAT WITH ALL
REMAINING FEET, ITEMS #2



AT THIS POINT, IF INSTALLING
OPTIONAL ACCESSORY TABLES
AND / OR SHELVES, FIRST SLIDE
THE TABLE CLAMP MOUNTING
STUDS INTO THE FRONT POST
CHANNEL AS SHOWN.

STEP 2

REMOVE SCREW FROM LOWER POST
INSERT, SLIDE UPPER POST OVER
LOWER POST, INSERT SCREW AND
TIGHTEN. REPEAT WITH ALL POSTS.
BE CERTAIN THAT HARDWARE IS
INSERTED AND VISIBLE FROM BACKSIDE
OF FRAME ONLY, AS SHOWN ABOVE.



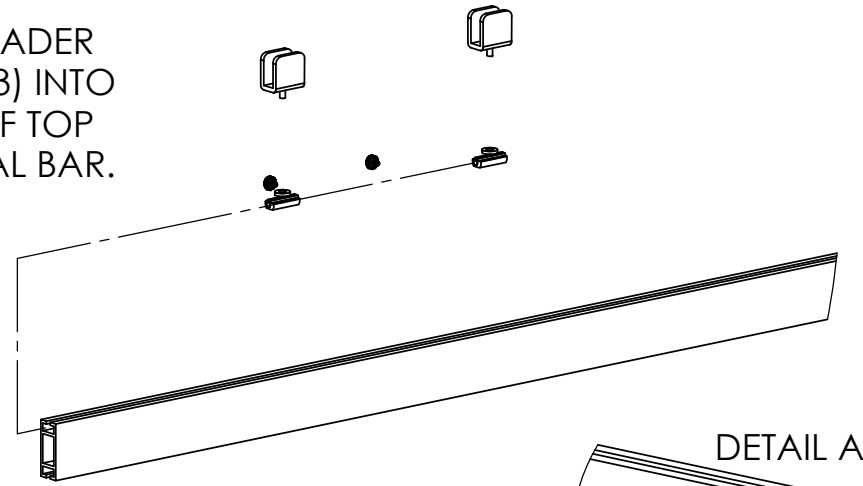
<p>THIRD ANGLE PROJECTION</p>		<p>PROPERTY: THE DOCUMENT AND DATA DISCLOSED HEREIN OR HEREWITH NOT TO BE REPRODUCED, USED, OR DISCLOSED IN WHOLE OR IN PART TO ANYONE WITHOUT PERMISSION OF NIEDO GROUP, INC.</p>	
<p>MATERIAL: DIMENSIONS ARE IN MILLIMETERS UNLESS OTHERWISE SPECIFIED</p>		<p>NIEDO GROUP, INC. 5465 SW WESTERN AVE. BEAVERTON, OR 97005</p>	
<p>SCALE: NA</p>		<p>10 Ft. Timberline Modular Display with Monitor</p>	
<p>SHEET 1</p>		<p>SET UP INSTRUCTIONS</p>	
<p>DO NOT SCALE DRAWING</p>		<p>REV: -03</p>	

10 FT. TIMBERLINE MODULAR DISPLAY WITH MONITOR
TL1002F-S-TV

FOR ITEM #s PLEASE REFER TO ASSEMBLY DIAGRAM

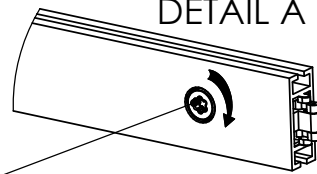
STEP 3

SLIDE GRAPHIC HEADER BRACKET (ITEM #13) INTO UPPER GROOVE OF TOP FRAME HORIZONTAL BAR.



LOCKING MECHANISM
FACES AWAY FROM
FRONT OF DISPLAY SO
NOT TO BE VISIBLE.

DETAIL A



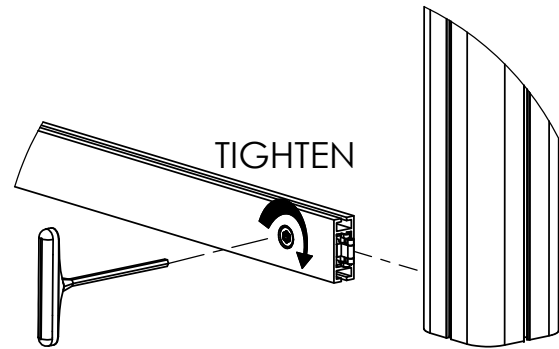
INTERLOCK MECHANISM
TURN TO LOCK
REVERSE TO UNLOCK

STEP 4

- REFER TO ASSEMBLY DIAGRAM
AND BILL OF MATERIALS, PAGE 3

**ASSEMBLE FRAME HORIZONTAL BARS #9 & #10,
AND END BARS #8 TO THE MAIN POSTS #1**

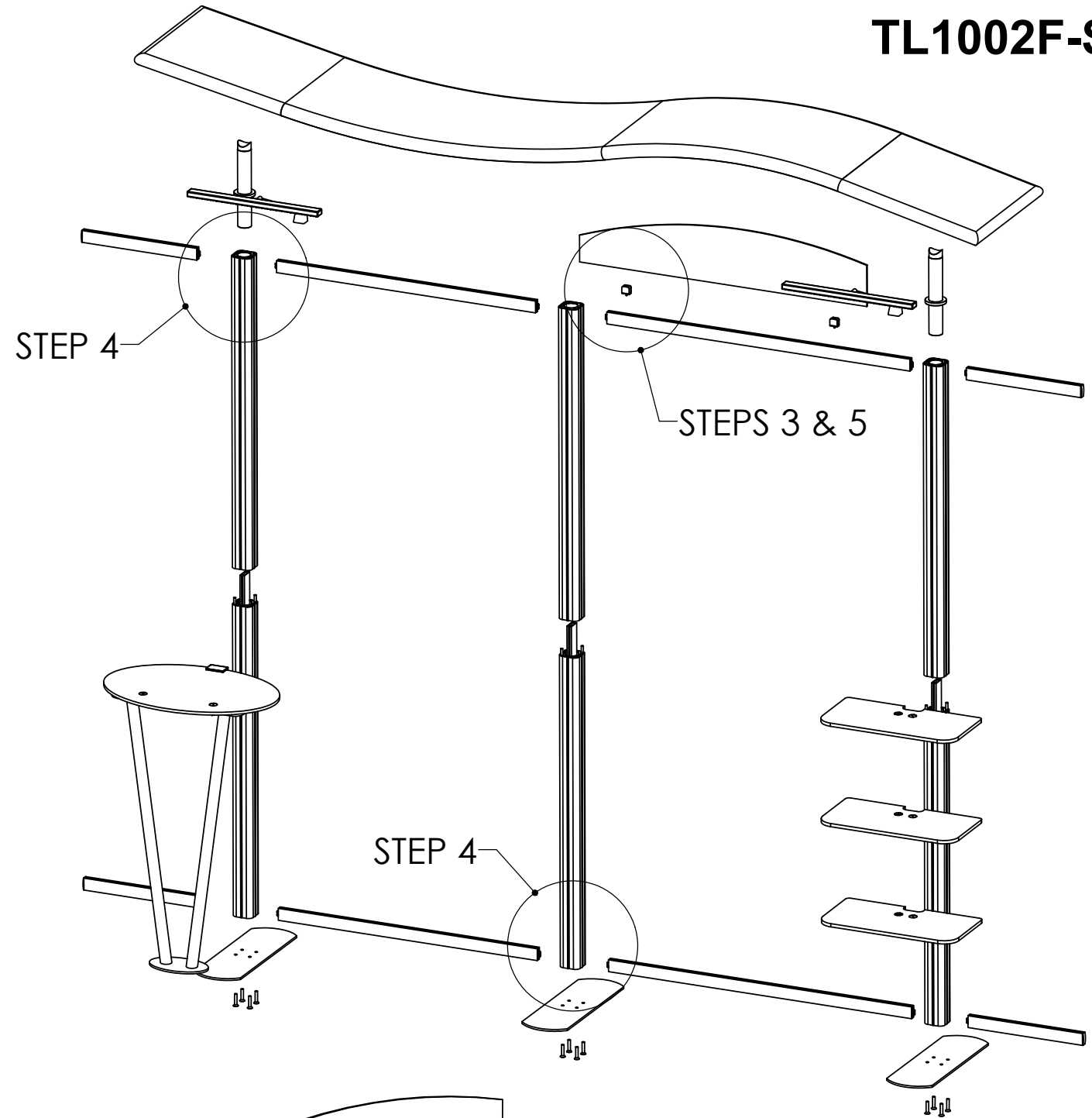
ASSEMBLE BARS TO POSTS BY INSERTING THE END OF THE LOCKING MECHANISM FULLY INTO POST CHANNEL THEN TURNING THE SOCKET HEAD ADJUSTMENT CLOCKWISE TO LOCK THE HORIZONTAL BAR IN PLACE. THIS PROCESS IS USED FOR ASSEMBLING TOP AND BOTTOM BARS ON THE FRAME. DISASSEMBLE BY TURNING THE ADJUSTMENT COUNTERCLOCKWISE TO DISENGAGE. BE CERTAIN THAT THE INTERLOCK ADJUSTMENT IS INSIDE AND AWAY FROM THE FRONT OF THE DISPLAY TO AVOID BEING VISIBLE.



STEP 5

(GRAPHIC HEADER ATTACHMENT)

ATTACH HEADER INTO PREVIOUSLY INSTALLED
HEADER BRACKETS. SIMPLY SLIDE IN AND
FINGER TIGHTEN THUMB SCREWS.

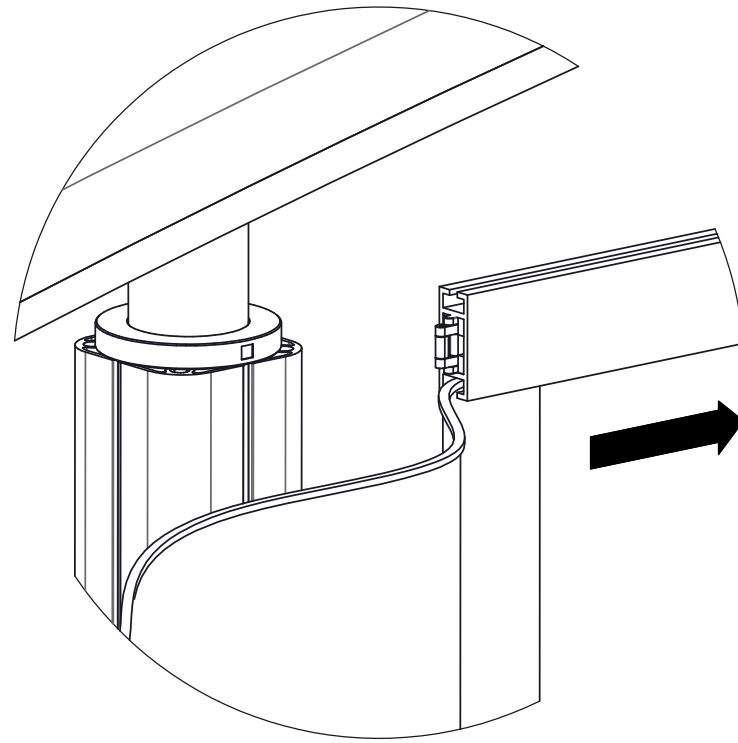


<p>FINISH:</p> <p>MATERIAL:</p> <p>DIMENSIONS ARE IN MILLIMETERS UNLESS OTHERWISE SPECIFIED</p>	<p>THIRD ANGLE PROJECTION</p> <p>NIEDO GROUP, INC. 5465 SW WESTERN AVE. BEAVERTON, OR 97005</p> <p>10 Ft. Timberline Modular Display with Monitor</p> <p>SET UP INSTRUCTIONS</p> <p>REV. NO. -03</p>	<p>PROPERTY:</p> <p>THIS DOCUMENT AND DATA DISCLOSED HEREIN OR HEREWITH NOT TO BE REPRODUCED, USED, OR DISCLOSED IN WHOLE OR IN PART TO ANYONE WITHOUT PERMISSION OF NIEDO GROUP, INC.</p>
<p>SCALE: NA</p>	<p>DO NOT SCALE DRAWING</p>	<p>SHEET 1</p>

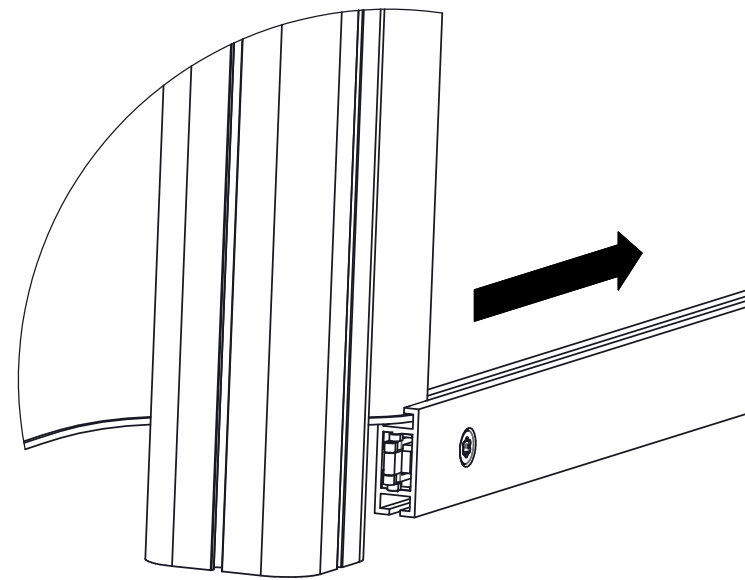
10 FT. TIMBERLINE MODULAR DISPLAY TL1002F-S-TV

STEP 6

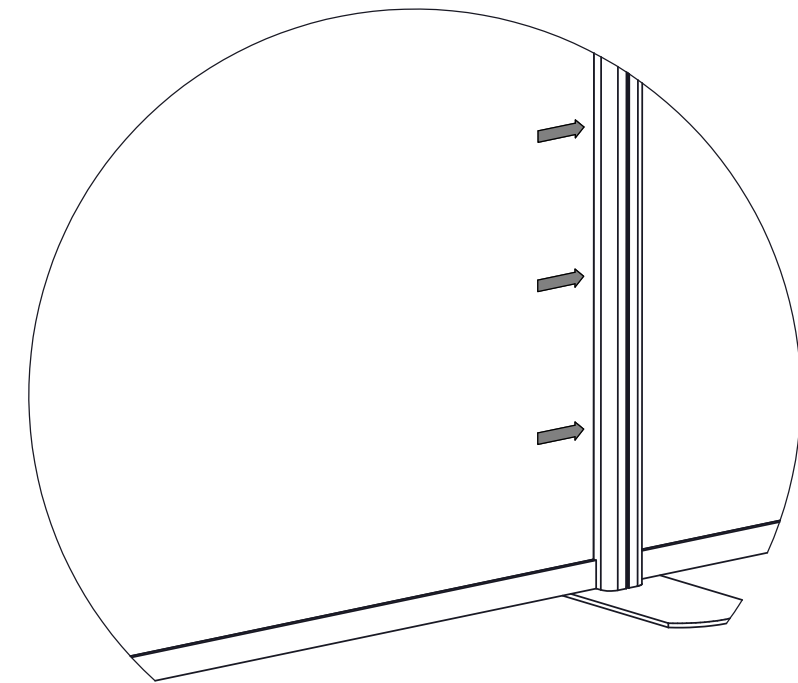
(GRAPHIC ATTACHMENT) THIS INSTRUCTION IS RELEVANT TO FRAME, END PANELS AND HORIZONTAL BARS.



SLIDE GRAPHICS INTO BOTTOM CHANNEL OF TOP HORIZONTAL SUPPORT BAR THEN CONNECT THE SUPPORT BAR TO POSTS AT BOTH ENDS AS PER STEP 4



SLIDE GRAPHICS INTO TOP CHANNEL OF BOTTOM HORIZONTAL SUPPORT BAR THEN CONNECT THE SUPPORT BAR TO POSTS AT BOTH ENDS AS PER STEP 4



WHEN TOP AND BOTTOM HORIZONTAL SUPPORT BARS ARE ATTACHED, THE GRAPHIC SIDES MAY BE TUCKED INTO THE VERTICAL CHANNELS OF THE MAIN POST ON BOTH SIDES

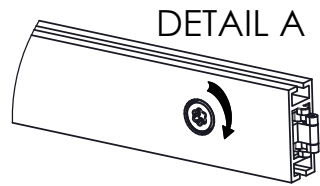
<small>FINISH:</small> <small>MATERIAL:</small>		<small>THIRD ANGLE PROJECTION</small> 		<small>PROPERTY:</small> <small>THE DOCUMENT AND DATA DISCLOSED HEREIN OR HEREWITH NOT TO BE REPRODUCED, USED, OR DISCLOSED IN WHOLE OR IN PART TO ANYONE WITHOUT PERMISSION OF NIEDO GROUP, INC.</small>	
<small>DIMENSIONS ARE IN MILLIMETERS</small> <small>TOLERANCES UNLESS OTHERWISE SPECIFIED</small>		NIEDO GROUP, INC.		5465 SW WESTERN AVE. BEAVERTON, OR 97005	
		10 Ft. Timberline Modular Display with Monitor SET UP INSTRUCTIONS			
<small>REV</small>	<small>DATE</small>	<small>BY</small>	<small>CHKD</small>	<small>APP'D</small>	<small>REV</small>
					03
<small>SCALE:</small>		<small>DO NOT SCALE DRAWING</small>		<small>SHEET</small>	6

10 FT. TIMBERLINE MODULAR DISPLAY WITH MONITOR

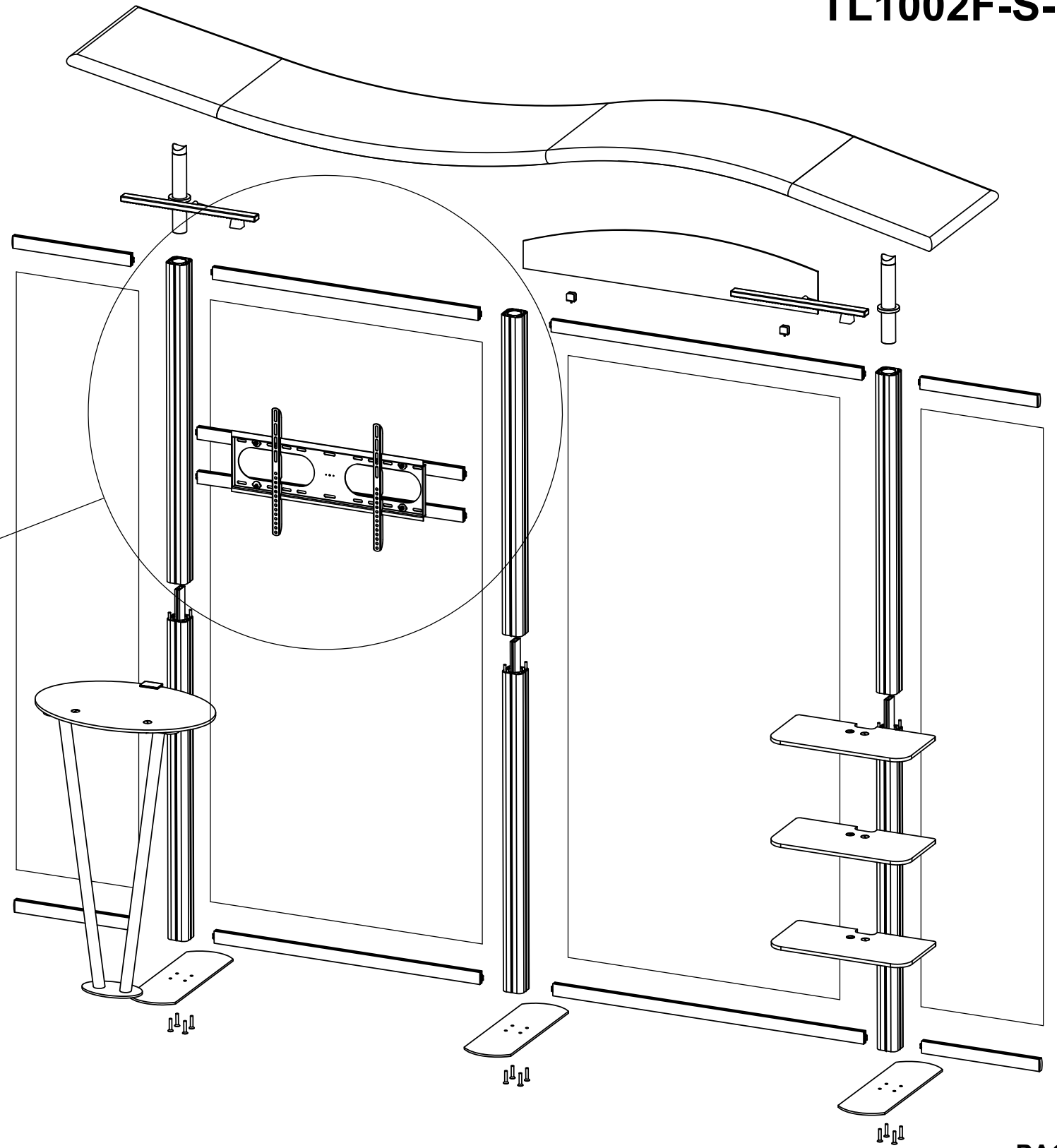
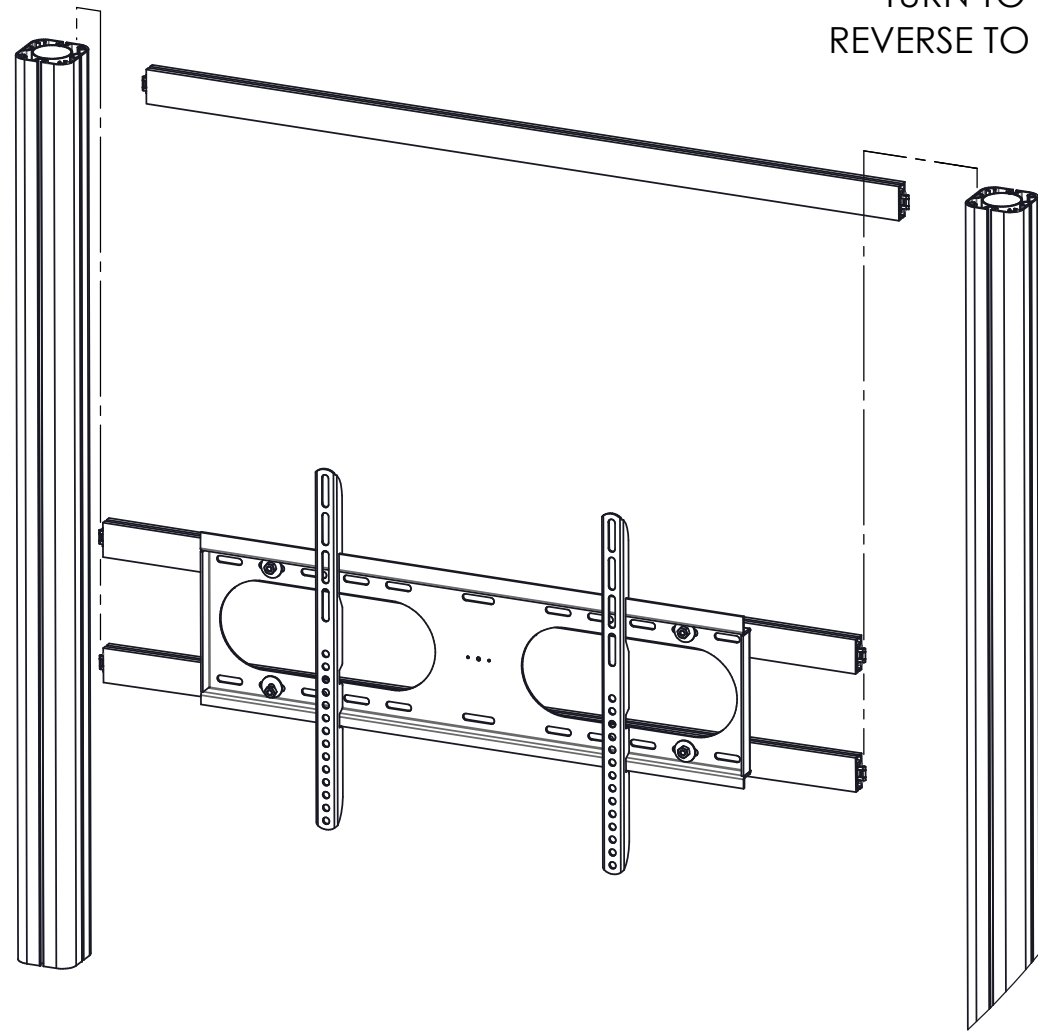
TL1002F-S-TV

STEP 7

SLIDE MONITOR MOUNT ASSEMBLY #7
DOWNWARDS INTO GROOVE IN TOP
OF POSTS TO DESIRED HEIGHT AND
TIGHTEN ADJUSTER/LOCKS AS IN
DETAIL A TO SECURE THE MONITOR
MOUNT.



INTERLOCK MECHANISM
TURN TO LOCK
REVERSE TO UNLOCK



PAGE 7

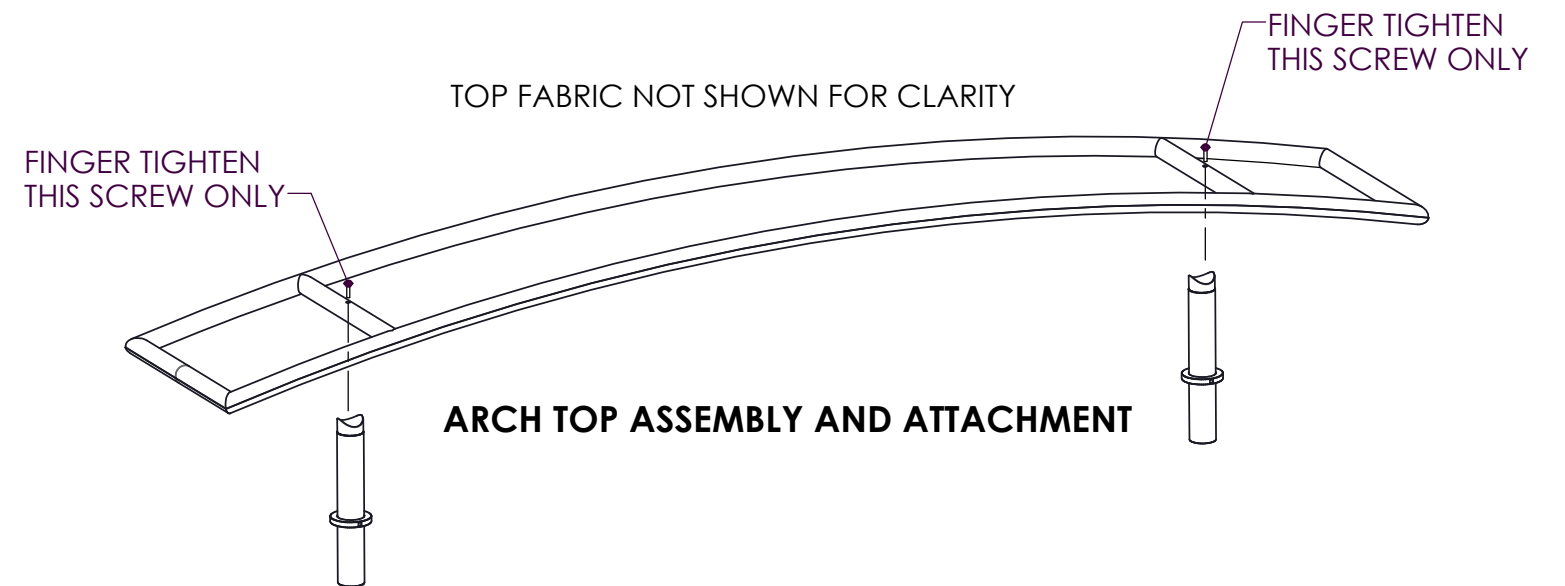
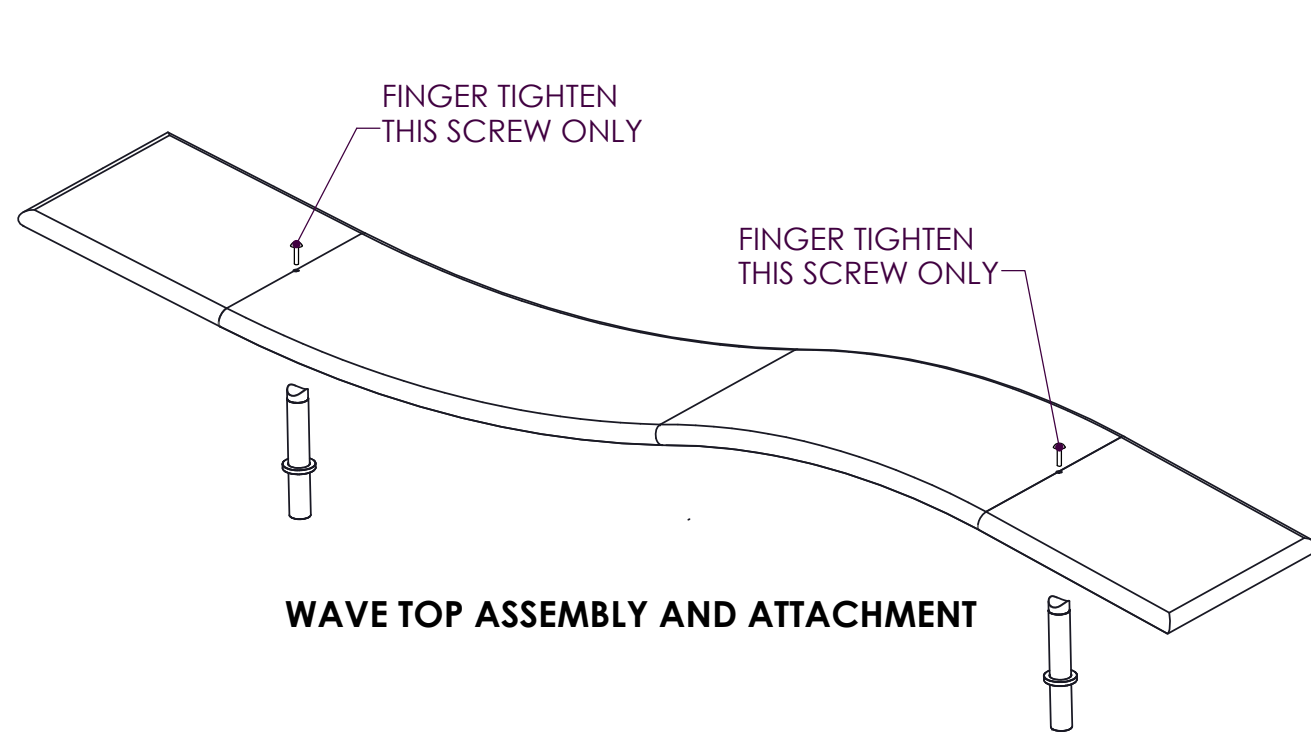
FINISH: MATERIAL: DIMENSIONS ARE IN MILLIMETERS TOLERANCES UNLESS OTHERWISE SPECIFIED		THIRD ANGLE PROJECTION 		THE DOCUMENT AND DATA DISCLOSED HEREIN OR HEREON NOT TO BE REPRODUCED, USED, OR DISCLOSED IN WHOLE OR IN PART TO ANYONE WITHOUT PERMISSION OF NIEDO GROUP, INC.	
		NIEDO GROUP, INC. 5465 SW WESTERN AVE. BEAVERTON, OR 97005			
		10 Ft. Timberline Modular Display with Monitor SET UP INSTRUCTIONS			
SIZE B	DWG. NO.	REV. -03			
SCALE: NA		DO NOT SCALE DRAWING		SHEET 1	

10 FT. TIMBERLINE MODULAR DISPLAY TL1002F-S-TV

**FOR ITEM #s PLEASE REFER
TO ASSEMBLY DIAGRAM**

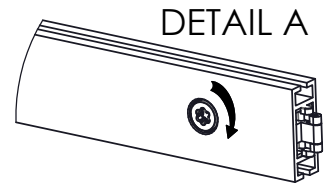
STEP 8 (TOP ASSEMBLY AND ATTACHMENT)

COMPONENTS OF THE WAVE TOP FRAME ARE LABELED FOR EASY ASSEMBLY. WHEN THE WAVE TOP FRAME IS ASSEMBLED SLIDE THE FABRIC COVER OVER LIKE A PILLOW CASE AND ZIP UP. WHEN THE COVER IS ON THE FRAME, INSERT THE MOUNTING SCREWS THROUGH THE HOLES PROVIDED AND THREAD INTO THE WAVE TOP SUPPORT POST (ITEM#3) IN THE BOTTOM SIDE, BE SURE TO FINGER TIGHTEN ONLY. WAVE TOP SUPPORT POST AND FRAME/SKIN ASSEMBLY MAY NOW BE INSERTED INTO THE TOP OF DESIGNATED TIMBERLINE POSTS (ITEM #1)



<small>FINISH:</small> <small>MATERIAL:</small> <small>TOLERANCES UNLESS OTHERWISE SPECIFIED</small>		<small>THIRD ANGLE PROJECTION</small> 		<small>PROPERTY:</small> <small>THE DOCUMENT AND DATA DISCLOSED HEREIN OR HEREON ARE NOT TO BE REPRODUCED, USED, OR DISCLOSED IN WHOLE OR IN PART TO ANYONE WITHOUT PERMISSION OF NIEDO GROUP, INC.</small>	
<small>DIMENSIONS ARE IN MILLIMETERS</small>		NIEDO GROUP, INC.		5465 SW WESTERN AVE. BEAVERTON, OR 97005	
<small>SCALE:</small>		<small>SEE DWG. NO.</small>		<small>REV.</small> 03	
<small>DO NOT SCALE DRAWING</small>		<small>SHEET</small>		6	

10 FT. TIMBERLINE MODULAR DISPLAY TL1002F-S-TV



DETAIL A
INTERLOCK MECHANISM
TURN TO LOCK
REVERSE TO UNLOCK

TIMBERLINE STRAIGHT END
PANELS ARE ATTACHED WITH
2X 15.75" Z-4400 EXTRUSIONS
AND INTERLOCK MECHANISM
AS SHOWN IN DETAIL A

END PANEL GRAPHIC
ATTACHED AS IN **STEP 6**

2X 15.75" Z-4400
END PIECES

TIMBERLINE POST

STRAIGHT SIDES ASSEMBLY DETAIL

TIMBERLINE TAPERED END
PANELS ARE ATTACHED WITH
1X 15.75" Z-4400 EXTRUSION
AT THE TOP AND 1X 8.75" Z-4400
AT BOTTOM. BOTH EXTRUSIONS
ARE FASTENED TO POST USING
THE INTERLOCK MECHANISM
SHOWN IN DETAIL A

15.75" Z-4400 EXTRUSION

END PANEL GRAPHIC
ATTACHED AS IN **STEP 6**

TIMBERLINE POST

8.75" Z-4400 EXTRUSION

TAPERED SIDES ASSEMBLY DETAIL

TIMBERLINE METAL FUSION ROUNDED
AND TAPERED END PANELS ARE
ATTACHED WITH GRAPHICS HEADER
MOUNTING BRACKETS, ITEM #13.
BRACKETS SLIDE INTO THE CHANNEL ON
THE TIMBERLINE POST AND ARE
POSITIONED AS SHOWN. SLIDE THE METAL
FUSION PANEL INTO THE BRACKETS AND
FINGER TIGHTEN THE THUMB SCREWS.

GRAPHIC HEADER
MOUNTING BRACKET
(ITEM #13)

METAL FUSION
ROUNDED END PANEL

METAL FUSION
TAPERED END PANEL

TIMBERLINE POST

METAL FUSION END PANELS

THIRD ANGLE PROJECTION 		THE DOCUMENT AND DATA DISCLOSED HEREIN OR HEREBY IS NOT TO BE REPRODUCED, USED, OR DISCLOSED IN WHOLE OR IN PART TO ANYONE WITHOUT PERMISSION OF NIEDO GROUP, INC.	
MATERIAL: DIMENSIONS ARE IN MILLIMETERS TOLERANCES UNLESS OTHERWISE SPECIFIED		NIEDO GROUP, INC. 5465 SW WESTERN AVE. BEAVERTON, OR 97005	
TITLE 10 Ft. Timberline Modular Display with Monitor		SET UP INSTRUCTIONS	
SEE DWG. NO.	REV 03	SCALE: DO NOT SCALE DRAWING SHEET	

**10 FT. TIMBERLINE MODULAR DISPLAY
TL1002F-S-TV**

WASHER
KNURLED KNOB

TIMBERLINE POST
THREADED INSERT

TIMBERLINE POST

THE SLAT WALL WOOD ASSEMBLY IS ATTACHED TO THE FRONT OF THE TIMBERLINE POST USING A SLIDING THREADED INSERT AS SHOWN, AND FASTENED USING AN INTERNALLY THREADED COSMETIC KNURLED KNOB AND WASHER.

SLAT WALL WOOD ASSEMBLY DETAIL

DETAIL A

INTERLOCK MECHANISM
TURN TO LOCK
REVERSE TO UNLOCK

Z-4400
EXTRUSION

TIMBERLINE
POST

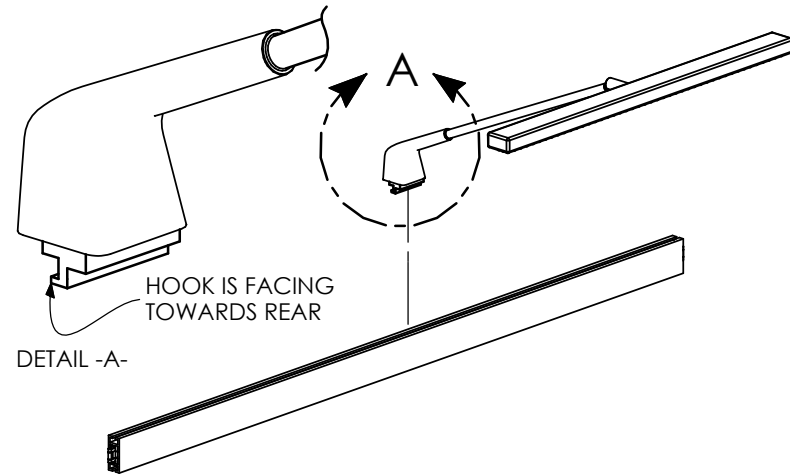
THE SLAT WALL WING ASSEMBLY IS ATTACHED TO THE SIDES OF THE TIMBERLINE POST USING A FRAMEWORK OF Z4400 EXTRUSION AND INTERLOCK MECHANISM, AS SHOWN.

SLAT WALL WINGS ASSEMBLY DETAIL

PAGE 10

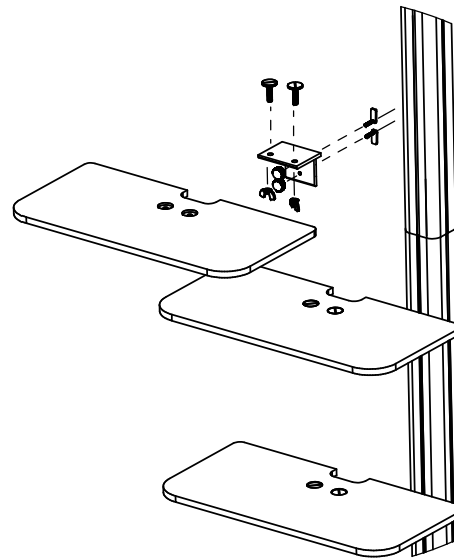
THIRD ANGLE PROJECTION 		THE DOCUMENT AND DATA DISCLOSED HEREIN OR HEREBY IS NOT TO BE REPRODUCED, USED, OR DISCLOSED IN WHOLE OR IN PART TO ANYONE WITHOUT PERMISSION OF NIEDO GROUP, INC.	
DIMENSIONS ARE IN MILLIMETERS TOLERANCES UNLESS OTHERWISE SPECIFIED		NIEDO GROUP, INC. 5465 SW WESTERN AVE. BEAVERTON, OR 97005	
SEE DWG. NO.		10 Ft. Timberline Modular Display with Monitor SET UP INSTRUCTIONS	
SCALE:	DO NOT SCALE DRAWING	SHEET	REV 03

10 FT. TIMBERLINE MODULAR DISPLAY TL1002F-S!HJ



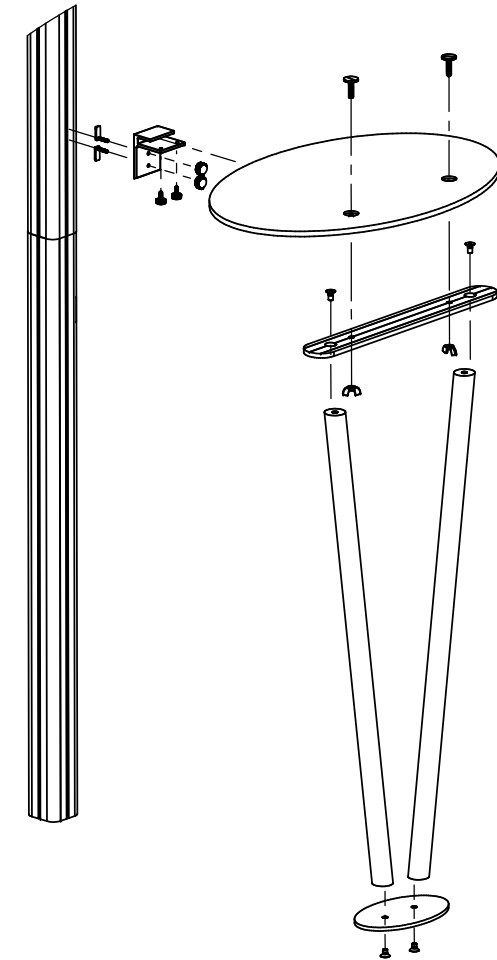
OVERHEAD LAMPS

SLIDE THE BASE ADAPTER INTO THE BOTTOM OF THE LAMP. THEN SLIDE THE LAMP INTO THE TOP GROOVE OF THE HORIZONTAL SUPPORT.



TIMBERLINE SHELVES

ATTACH BRACKETS INTO VERTICAL POSTS AND TIGHTEN. PLACE ACRYLIC SHELVES ON TOP OF BRACKET AND SECURE USING LARGE BOLTS AND WING NUTS.

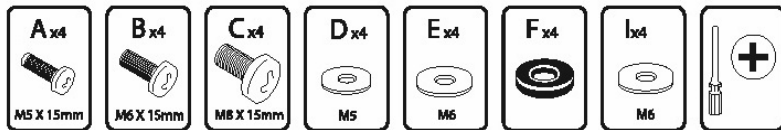


TIMBERLINE TABLE

(ALL HARDWARE IS PROVIDED)
ASSEMBLE TABLE LEGS TOGETHER WITH THE TOP AND BOTTOM BASE PLATES AND SCREWS. THEN ATTACH THE ACRYLIC TABLE TOP WITH THE LARGE BOLTS AND WING NUTS TO TOP OF BASE PLATE ON LEGS. ATTACH CLAMP TO BACK OF ACRYLIC TABLE TOP FOR INSERTION INTO VERTICAL POSTS.

TL1007 Monitor Mount for 30-50 LCD

Each Kit includes: 1 monitor mount w/ bars attached, 12 screws & 16 washers

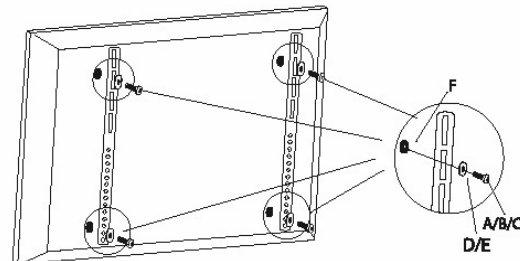


Safety Warning: Be careful to make sure there are no missing or defective parts. Never use defective parts. Improper installation may cause damage or serious injury.

STEP 1

Installing bars to your LCD monitor

- 1) To ensure optimal installation, this kit includes various screws of different diameters and lengths.
- 2) Place your TV screen down on a soft, flat surface and locate the threaded mounting points that are located on the back of the display.
- 3) Determine which screw (A/B/C) is of the correct length by carefully inserting a straw or toothpick and mark how deep the mounting point is.
- 4) If your display has a curved back or a recessed thread mounting point, a spacer (F) must be used.
- 5) Place the spacer (F) between the mounting bracket and display.
- 6) According to the size of the display's hole, choose the corresponding screw and hole on the rectangle washer, then thread them in line.



Notice: First, if the TV back is accurate you will need to use (F), if it's flat that is unnecessary. Second, the choice of screw (A/B/C) should be according to the size and depth of the install aperture in the back of the TV.

FRONT:	THIRD ANGLE PROJECTION	PROPERTY: THE DOCUMENT AND DATA DISCLOSED HEREIN OR HEREINAFTER IS NOT TO BE REPRODUCED, USED, OR DISCLOSED IN WHOLE OR IN PART TO ANYONE WITHOUT PERMISSION OF NIEDO GROUP, INC.
MATERIAL:	DIMENSIONS ARE IN MILLIMETERS	NIEDO GROUP, INC. 5465 SW WESTERN AVE. BEAVERTON, OR 97005
TOLERANCES UNLESS OTHERWISE SPECIFIED	TITLE	10 Ft. Wave Top Modular Display
SEE DWG. NO.	SCALE:	SET UP INSTRUCTIONS
SCALE:	DO NOT SCALE DRAWING	SHEET 01