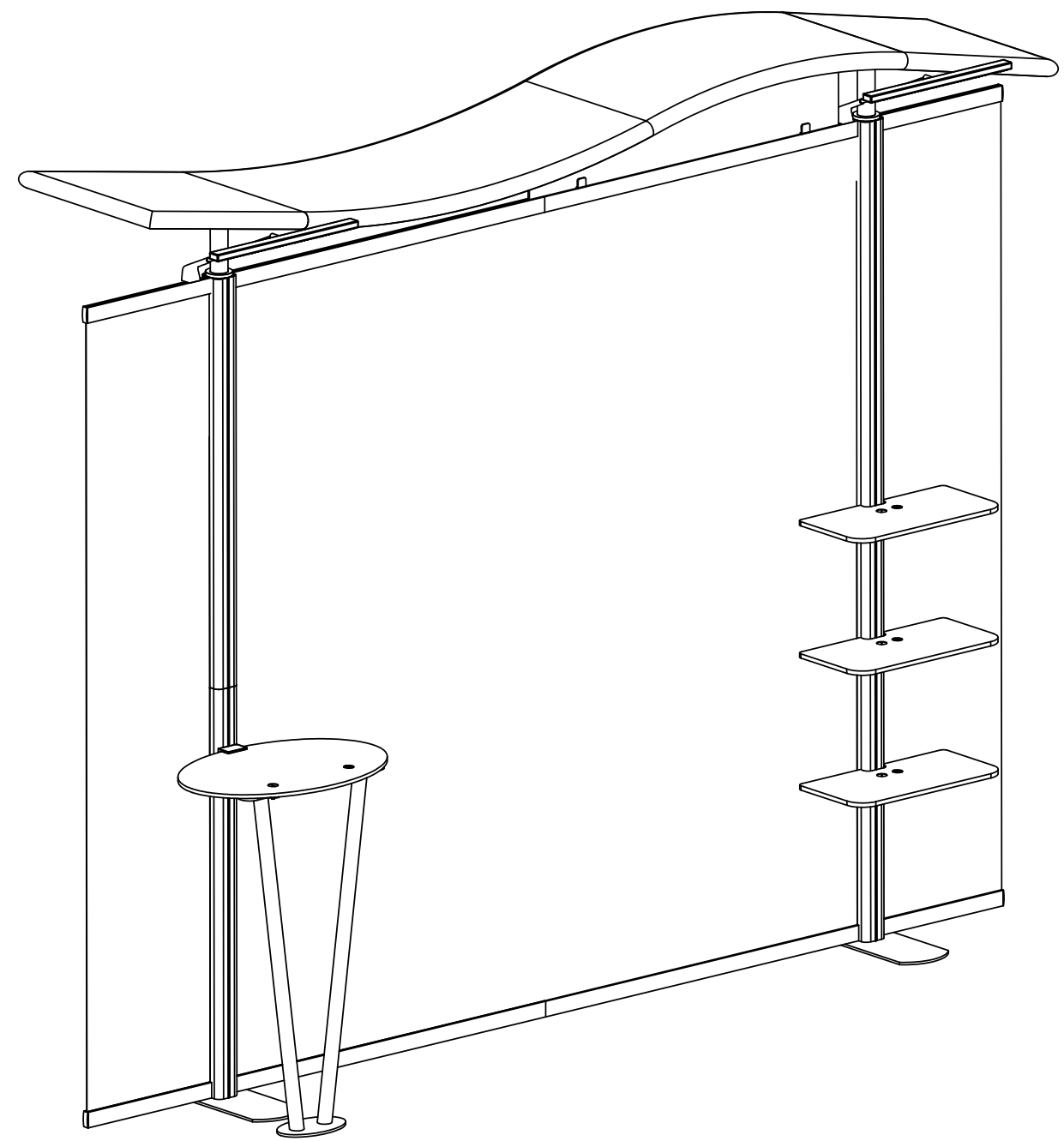


10 Ft. Timberline Modular Display

TL1002F-S

NOTE: UNLESS OTHERWISE SPECIFIED
1. SETUP TIME PER 10FT. SECTION IS 2-3 HOURS WITH 2 PERSONS.



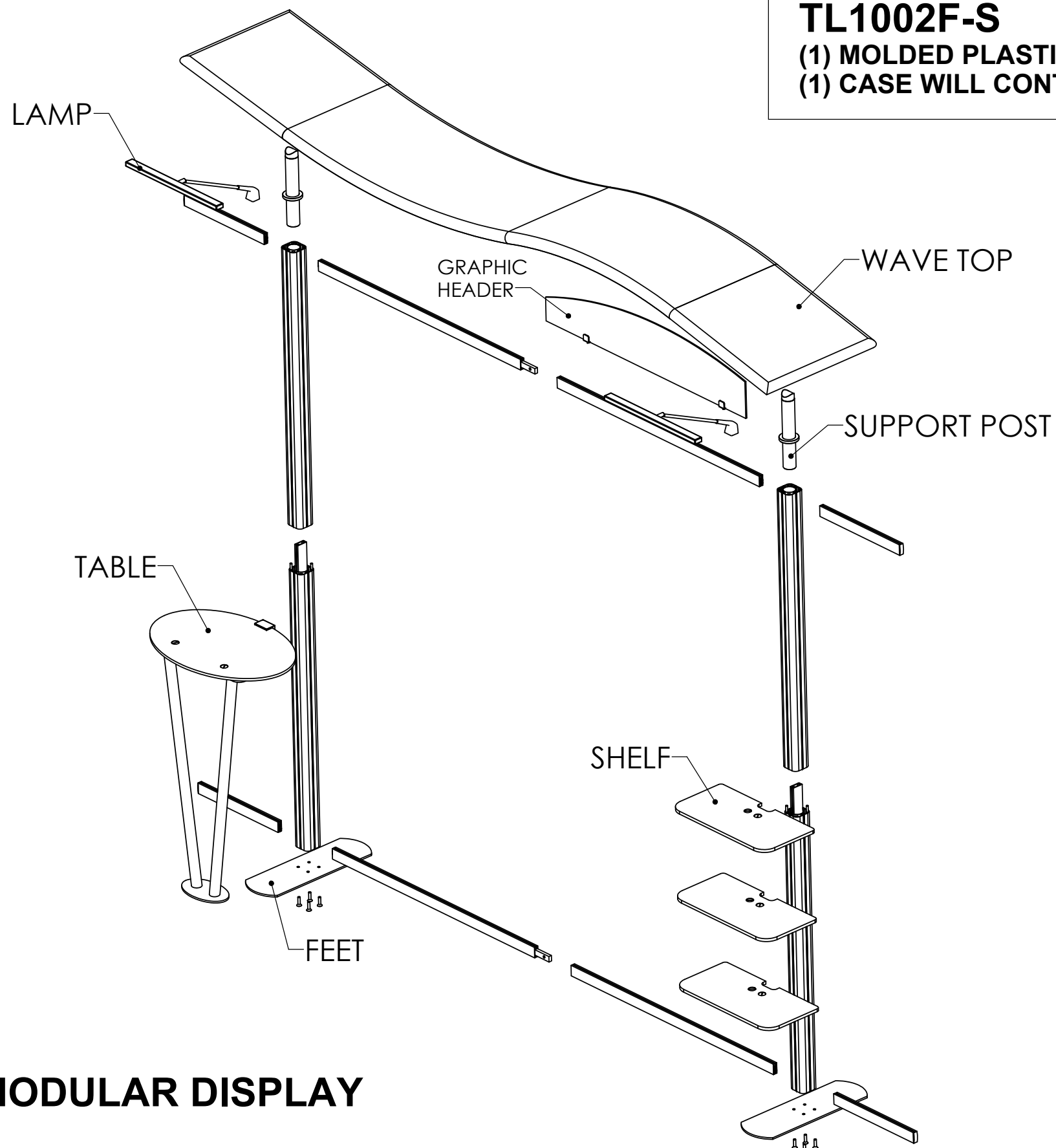
SET-UP MANUAL



FINISH:		THIRD ANGLE PROJECTION		PROPERTY: THIS DOCUMENT AND DATA DISCLOSED HEREIN OR HEREWITH IS NOT TO BE REPRODUCED, USED, OR DISCLOSED IN WHOLE OR IN PART TO ANYONE WITHOUT PERMISSION OF NIEDO GROUP, INC.	
MATERIAL:		NIEDO GROUP, INC.		5465 SW WESTERN AVE. BEAVERTON, OR 97005	
DIMENSIONS ARE IN MILLIMETERS		10 Ft. Timberline Modular Display SET UP INSTRUCTIONS			
TOLERANCES UNLESS OTHERWISE SPECIFIED					
REV	DWG. NO.	REV			
B		-02			
SCALE: NA	DO NOT SCALE DRAWING	SHEET	1		

8 7 6 5 4 3 2 1

TL1002F-S
(1) MOLDED PLASTIC WHEELED CASE
(1) CASE WILL CONTAIN DYE-SUB FABRIC PANEL

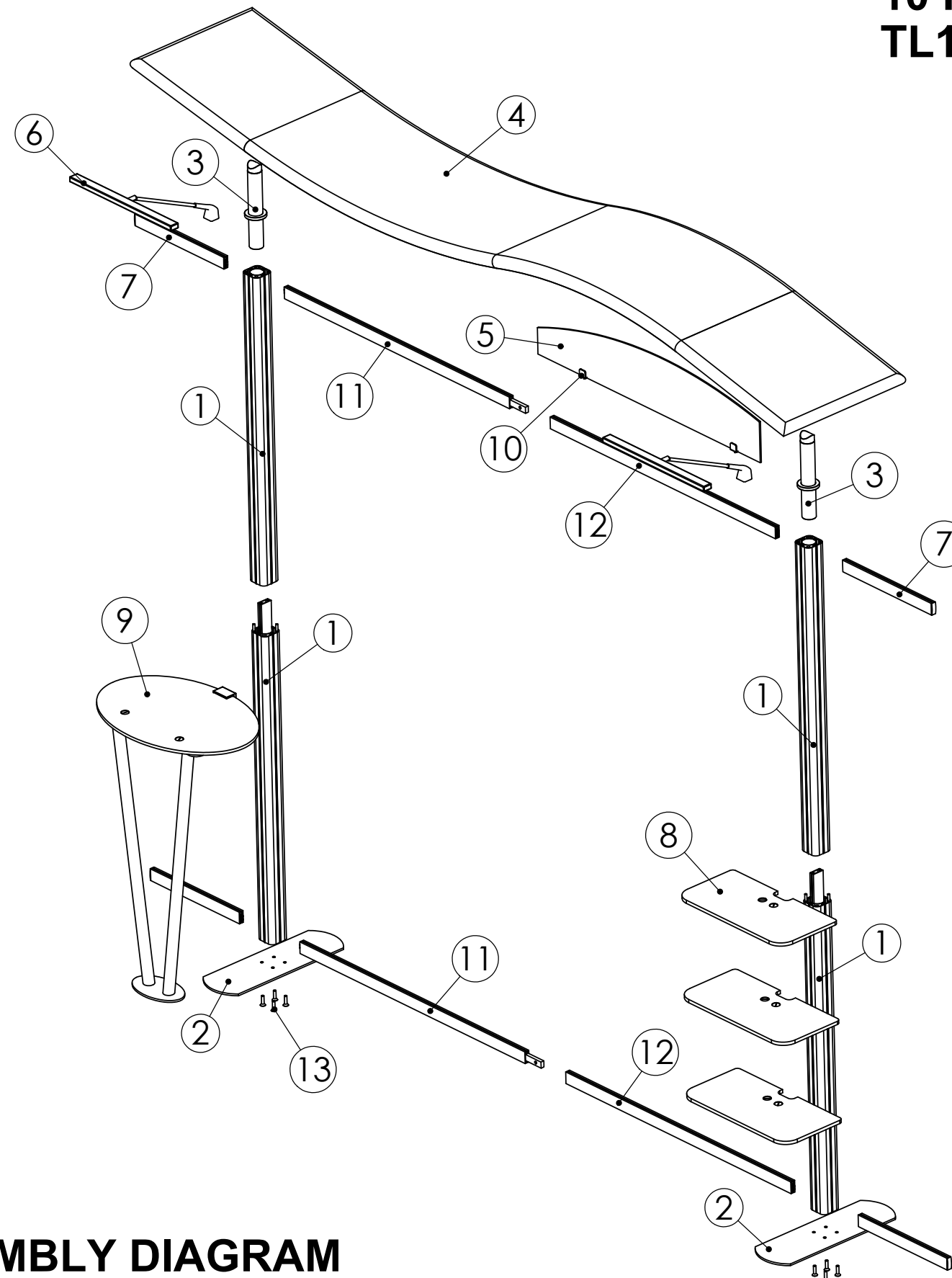


10 FT. TIMBERLINE MODULAR DISPLAY

THIRD ANGLE PROJECTION 		THE DOCUMENT AND DATA DISCLOSED HEREIN OR HEREWITH NOT TO BE REPRODUCED, USED, OR DISCLOSED IN WHOLE OR IN PART TO ANYONE WITHOUT PERMISSION OF NIEDO GROUP, INC.	
DIMENSIONS ARE IN MILLIMETERS TOLERANCES UNLESS OTHERWISE SPECIFIED		NIEDO GROUP, INC. 5465 SW WESTERN AVE. BEAVERTON, OR 97005 10 Ft. Timberline Modular Display SET UP INSTRUCTIONS	
SIZE B	DWG. NO.	REV. -01	SHEET 1
SCALE: NA		DO NOT SCALE DRAWING	

8 7 6 5 4 3 2 1

10 FT. TIMBERLINE MODULAR DISPLAY TL1002F-S



ITEM NO.	DESCRIPTION	QTY.
1	TIMBERLINE POST	2
2	TIMBERLINE FOOT	2
3	TOP SUPPORT POST	2
4	TIMBERLINE TOP	1
5	GRAPHIC HEADER	1
6	TIMBERLINE OVERHEAD LAMP	2
7	15-3/4" HORIZONTAL BAR END PC.	4
8	TIMBERLINE MOUNTED SHELF ASSEMBLY	3
9	TIMBERLINE ACCESSORY TABLE	1
10	GRAPHIC HEADER MOUNTING BRACKET	2
11	40 INCH FRAME EXTRUSION W/INSERT	2
12	40 INCH FRAME EXTRUSION WITHOUT INSERT	2
13	TIMBERLINE FOOT ATTACHMENT SCREWS	8

SET UP ASSEMBLY DIAGRAM

FINISH:	THIRD ANGLE PREDOMINANT	PROPERTY: THE DOCUMENT AND DATA DISCLOSED HEREIN OR HEREINAFTER IS THE PROPERTY OF NIEDO GROUP, INC. IT IS TO BE REPRODUCED, USED, OR DISCLOSED IN WHOLE OR IN PART TO ANYONE WITHOUT PERMISSION OF NIEDO GROUP, INC.
MATERIAL:		
DIMENSIONS ARE IN MILLIMETERS UNLESS OTHERWISE SPECIFIED	NIEDO GROUP, INC. 5465 SW WESTERN AVE. BEAVERTON, OR 97005	
	10 Ft. Timberline Modular Display	
	SET UP INSTRUCTIONS	
SIZE: B	DWG. NO.:	REV: -01
SCALE: NA	DO NOT SCALE DRAWING	SHEET 1

10 FT. TIMBERLINE MODULAR DISPLAY TL1002F-S

FOR ITEM #s
PLEASE REFER TO
ASSEMBLY DIAGRAM

STEP 1

INSTALL TIMBERLINE FEET WITH 4 SCREWS (ITEM #13) AND ALLEN WRENCH PROVIDED, REPEAT WITH ALL REMAINING FEET, ITEMS #2

AT THIS POINT, IF INSTALLING OPTIONAL ACCESSORY TABLES AND / OR SHELVES, FIRST SLIDE THE TABLE CLAMP MOUNTING STUDS INTO THE FRONT POST CHANNEL AS SHOWN.

STEP 2

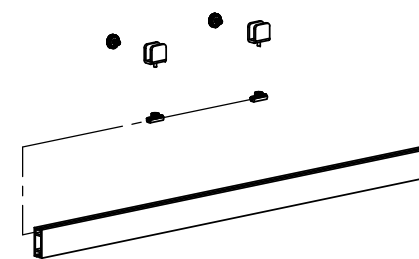
REMOVE SCREW FROM LOWER POST INSERT, SLIDE UPPER POST OVER LOWER POST, INSERT SCREW AND TIGHTEN. REPEAT WITH ALL POSTS. BE CERTAIN THAT HARDWARE IS INSERTED AND VISIBLE FROM BACKSIDE OF FRAME ONLY, AS SHOWN ABOVE.

STEP 3

REMOVE SCREW FROM THE 40 INCH FRAME HORIZONTAL BAR W/INSERT (ITEM #11) SLIDE INTO 2ND FRAME HORIZONTAL BAR (ITEM #12), REPLACE SCREW AND TIGHTEN WITH ALLEN WRENCH PROVIDED. REPEAT FOR REMAINING 40 INCH HORIZONTAL BARS. BE CERTAIN THAT HARDWARE IS INSERTED AND VISIBLE FROM BACKSIDE OF FRAME ONLY, AS SHOWN ABOVE

STEP 4

SLIDE GRAPHIC HEADER BRACKET (ITEM #10) INTO UPPER GROOVE OF TOP FRAME HORIZONTAL BAR.



STEP 6

(GRAPHIC HEADER ATTACHMENT)

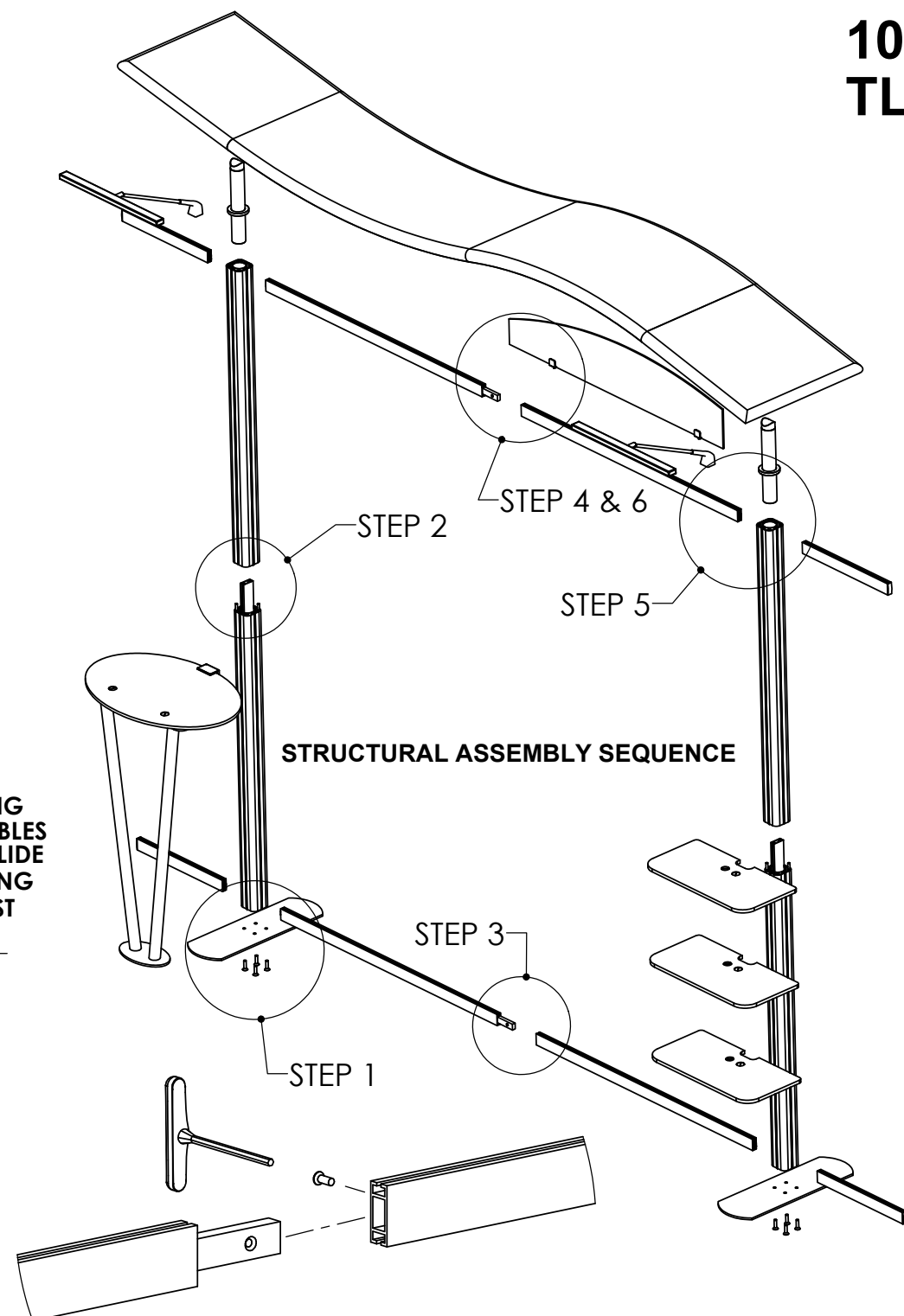
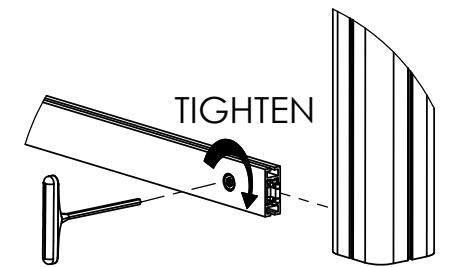
ATTACH HEADER INTO PREVIOUSLY INSTALLED HEADER BRACKETS. SIMPLY SLIDE IN AND FINGER TIGHTEN THUMB SCREWS.

STEP 5

- REFER TO ASSEMBLY DIAGRAM AND BILL OF MATERIALS, PAGE 3

ASSEMBLE FRAME HORIZONTAL BARS #11 & #12, AND END BARS #7 TO THE MAIN POSTS #1

ASSEMBLE BARS TO POSTS BY INSERTING THE END OF THE LOCKING MECHANISM FULLY INTO POST CHANNEL THEN TURNING THE SOCKET HEAD ADJUSTMENT CLOCKWISE TO LOCK THE HORIZONTAL BAR IN PLACE. THIS PROCESS IS USED FOR ASSEMBLING TOP AND BOTTOM BARS ON THE FRAME. DISASSEMBLE BY TURNING THE ADJUSTMENT COUNTERCLOCKWISE TO DISENGAGE. BE CERTAIN THAT THE INTERLOCK ADJUSTMENT IS INSIDE AND AWAY FROM THE FRONT OF THE DISPLAY TO AVOID BEING VISIBLE.



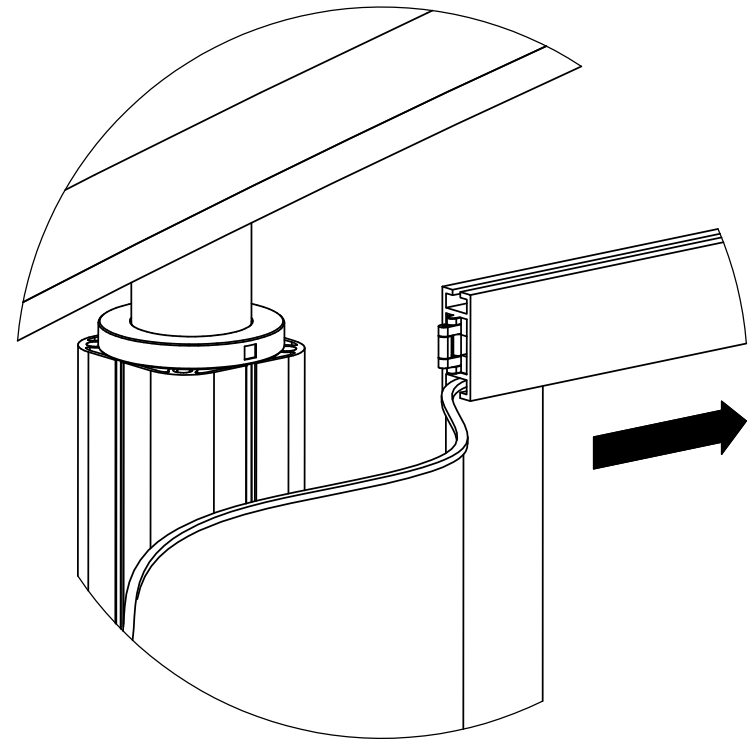
STRUCTURAL ASSEMBLY SEQUENCE

THIRD ANGLE PROJECTION 		THE DOCUMENT AND DATA DISCLOSED HEREIN OR HEREWITH NOT TO BE REPRODUCED, USED, OR DISCLOSED IN WHOLE OR IN PART TO ANYONE WITHOUT PERMISSION OF NIEDO GROUP, INC.	
DIMENSIONS ARE IN MILLIMETERS TOLERANCES UNLESS OTHERWISE SPECIFIED		NIEDO GROUP, INC. 5465 SW WESTERN AVE. BEAVERTON, OR 97005 10 Ft. Timberline Modular Display SET UP INSTRUCTIONS	
SIZE B	DWG. NO. NA	SCALE: NA DO NOT SCALE DRAWING	SHEET 1
			REV -01

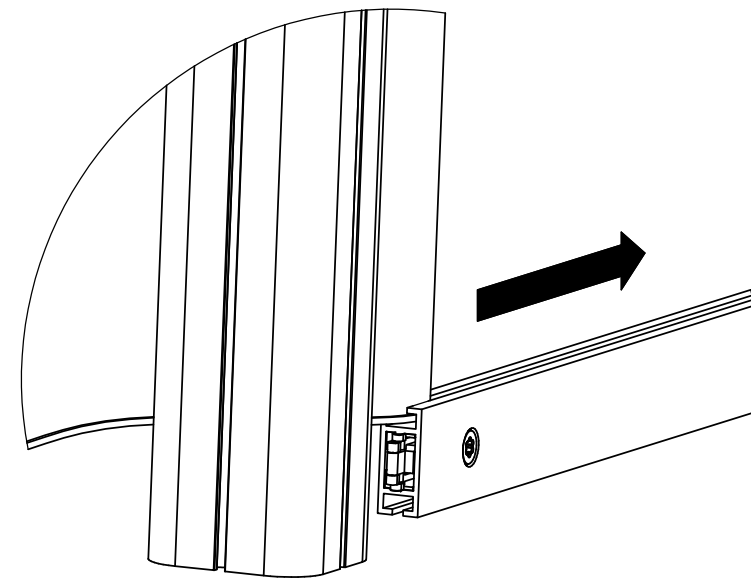
10 FT. TIMBERLINE MODULAR DISPLAY TL1002F-S

STEP 7

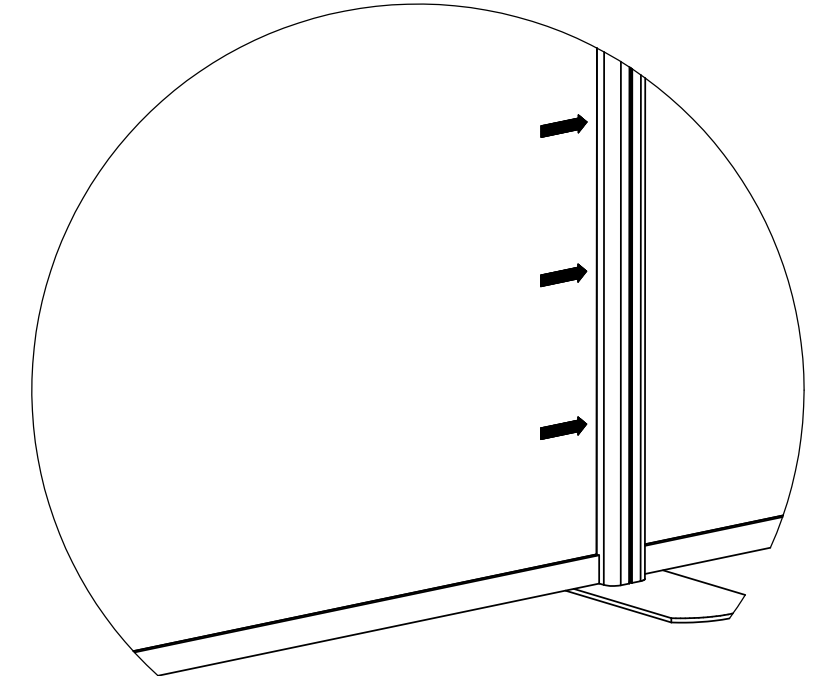
(GRAPHIC ATTACHMENT) THIS INSTRUCTION IS RELEVANT TO FRAME, END PANELS AND HORIZONTAL BARS.



SLIDE GRAPHICS INTO BOTTOM CHANNEL OF TOP HORIZONTAL SUPPORT BAR THEN CONNECT THE SUPPORT BAR TO POSTS AT BOTH ENDS AS PER STEP 5



SLIDE GRAPHICS INTO TOP CHANNEL OF BOTTOM HORIZONTAL SUPPORT BAR THEN CONNECT THE SUPPORT BAR TO POSTS AT BOTH ENDS AS PER STEP 5



WHEN TOP AND BOTTOM HORIZONTAL SUPPORT BARS ARE ATTACHED, THE GRAPHIC SIDES MAY BE TUCKED INTO THE VERTICAL CHANNELS OF THE MAIN POST ON BOTH SIDES

D
C
B
A

D
C
B
A

FINISH:		THIRD ANGLE PROJECTION		PROPERTY: THE DOCUMENT AND DATA DISCLOSED HEREIN OR HEREWITH NOT TO BE REPRODUCED, USED, OR DISCLOSED IN WHOLE OR IN PART TO ANYONE WITHOUT PERMISSION OF NIEDO GROUP, INC.	
MATERIAL:		NIEDO GROUP, INC. 5465 SW WESTERN AVE. BEAVERTON, OR 97005			
DIMENSIONS ARE IN MILLIMETERS UNLESS OTHERWISE SPECIFIED		TITLE: 10 Ft. Timberline Modular Display SET UP INSTRUCTIONS			
REV:	01	SCALE:	DO NOT SCALE DRAWING	SHEET:	6

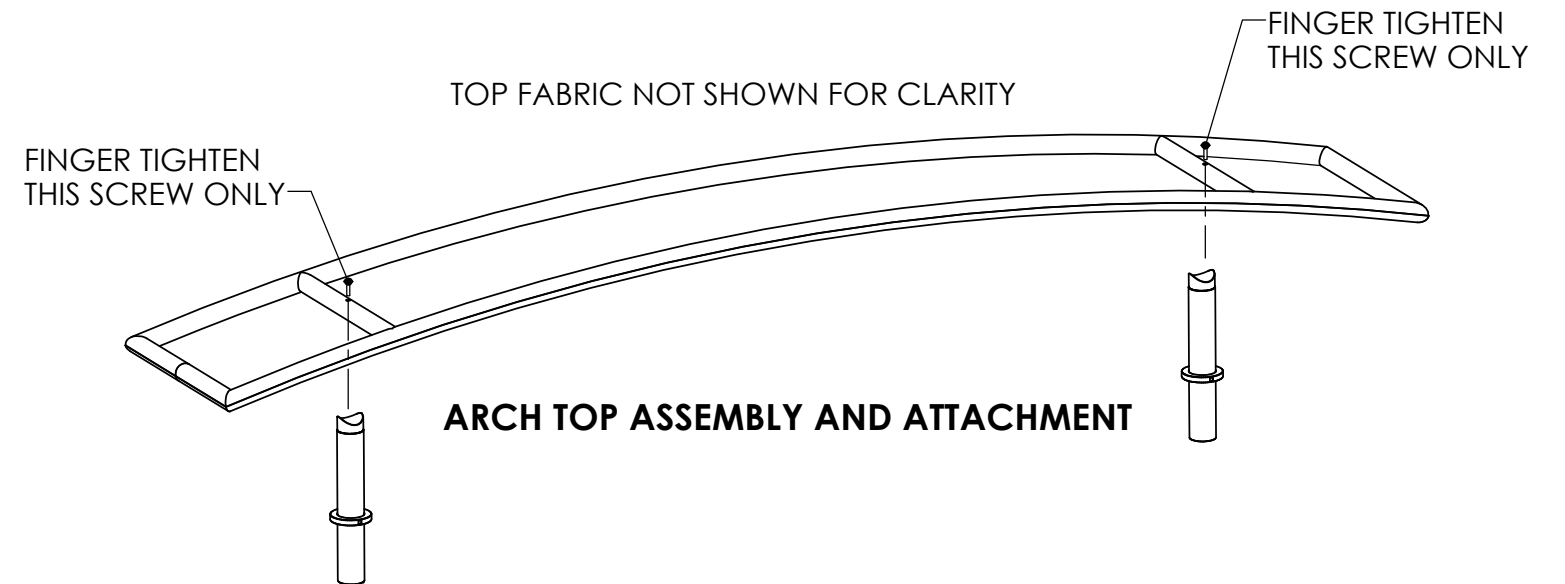
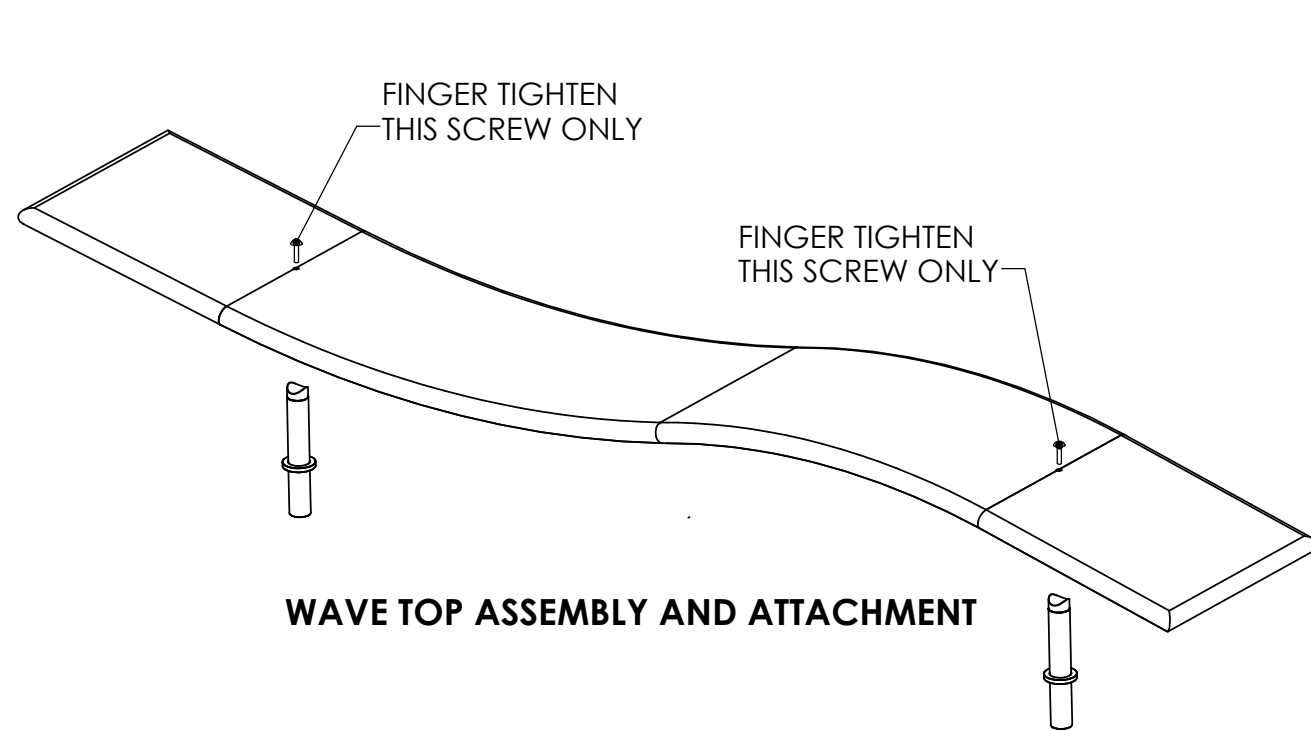
10 FT. TIMBERLINE MODULAR DISPLAY TL1002F-S

**FOR ITEM #s PLEASE REFER
TO ASSEMBLY DIAGRAM**

STEP 8

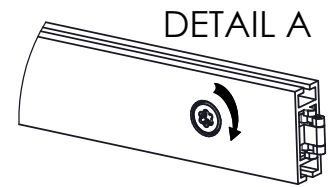
(TOP ASSEMBLY AND ATTACHMENT)

COMPONENTS OF THE WAVE TOP FRAME ARE LABELED FOR EASY ASSEMBLY. WHEN THE WAVE TOP FRAME IS ASSEMBLED SLIDE THE FABRIC COVER OVER LIKE A PILLOW CASE AND ZIP UP. WHEN THE COVER IS ON THE FRAME, INSERT THE MOUNTING SCREWS THROUGH THE HOLES PROVIDED AND THREAD INTO THE WAVE TOP SUPPORT POST (ITEM#3) IN THE BOTTOM SIDE, BE SURE TO FINGER TIGHTEN ONLY. WAVE TOP SUPPORT POST AND FRAME/SKIN ASSEMBLY MAY NOW BE INSERTED INTO THE TOP OF DESIGNATED TIMBERLINE POSTS (ITEM #1)



FINISH:		THIRD ANGLE PROJECTION		PROPERTY: THE DOCUMENT AND DATA DISCLOSED HEREIN OR HEREWITH NOT TO BE REPRODUCED, USED, OR DISCLOSED IN WHOLE OR IN PART TO ANYONE WITHOUT PERMISSION OF NIEDO GROUP, INC.	
MATERIAL:		NIEDO GROUP, INC. 5465 SW WESTERN AVE. BEAVERTON, OR 97005			
DIMENSIONS ARE IN MILLIMETERS UNLESS OTHERWISE SPECIFIED		TITLE: 10 Ft. Timberline Modular Display SET UP INSTRUCTIONS			
REV:	01	SCALE:	DO NOT SCALE DRAWING	SHEET:	6

10 FT. TIMBERLINE MODULAR DISPLAY TL1002F-S



DETAIL A
INTERLOCK MECHANISM
TURN TO LOCK
REVERSE TO UNLOCK

TIMBERLINE STRAIGHT END
PANELS ARE ATTACHED WITH
2X 15.75" Z-4400 EXTRUSIONS
AND INTERLOCK MECHANISM
AS SHOWN IN DETAIL A

END PANEL GRAPHIC
ATTACHED AS IN **STEP 7**

2X 15.75" Z-4400
END PIECES

TIMBERLINE POST

STRAIGHT SIDES ASSEMBLY DETAIL

TIMBERLINE TAPERED END
PANELS ARE ATTACHED WITH
1X 15.75" Z-4400 EXTRUSION
AT THE TOP AND 1X 8.75" Z-4400
AT BOTTOM. BOTH EXTRUSIONS
ARE FASTENED TO POST USING
THE INTERLOCK MECHANISM
SHOWN IN DETAIL A

15.75" Z-4400 EXTRUSION

END PANEL GRAPHIC
ATTACHED AS IN **STEP 7**

TIMBERLINE POST

8.75" Z-4400 EXTRUSION

TAPERED SIDES ASSEMBLY DETAIL

TIMBERLINE METAL FUSION
ROUNDED AND TAPERED END
PANELS ARE ATTACHED WITH
GRAPHICS HEADER MOUNTING
BRACKETS AS IN STEPS 4 & 6.
BRACKETS SLIDE INTO THE CHANNEL
ON THE TIMBERLINE POST AND ARE
POSITIONED AS SHOWN. SLIDE THE
METAL FUSION PANEL INTO THE
BRACKETS AND FINGER TIGHTEN
THE THUMB SCREWS.

GRAPHIC HEADER
MOUNTING BRACKET
(ITEM #10)

METAL FUSION
ROUNDED END PANEL

METAL FUSION
TAPERED END PANEL

TIMBERLINE POST

METAL FUSION END PANELS

FINISH: MATERIAL: DIMENSIONS ARE IN MILLIMETERS TOLERANCES UNLESS OTHERWISE SPECIFIED		THIRD ANGLE PROJECTION 		THE DOCUMENT AND DATA DISCLOSED HEREIN OR HEREWITH NOT TO BE REPRODUCED, USED, OR DISCLOSED IN WHOLE OR IN PART TO ANYONE WITHOUT PERMISSION OF NIEDO GROUP, INC.	
		NIEDO GROUP, INC.		5465 SW WESTERN AVE. BEAVERTON, OR 97005	
SEE DWG. NO.		10 Ft. Timberline Modular Display		REV 02	
SCALE:		DO NOT SCALE DRAWING		SHEET	

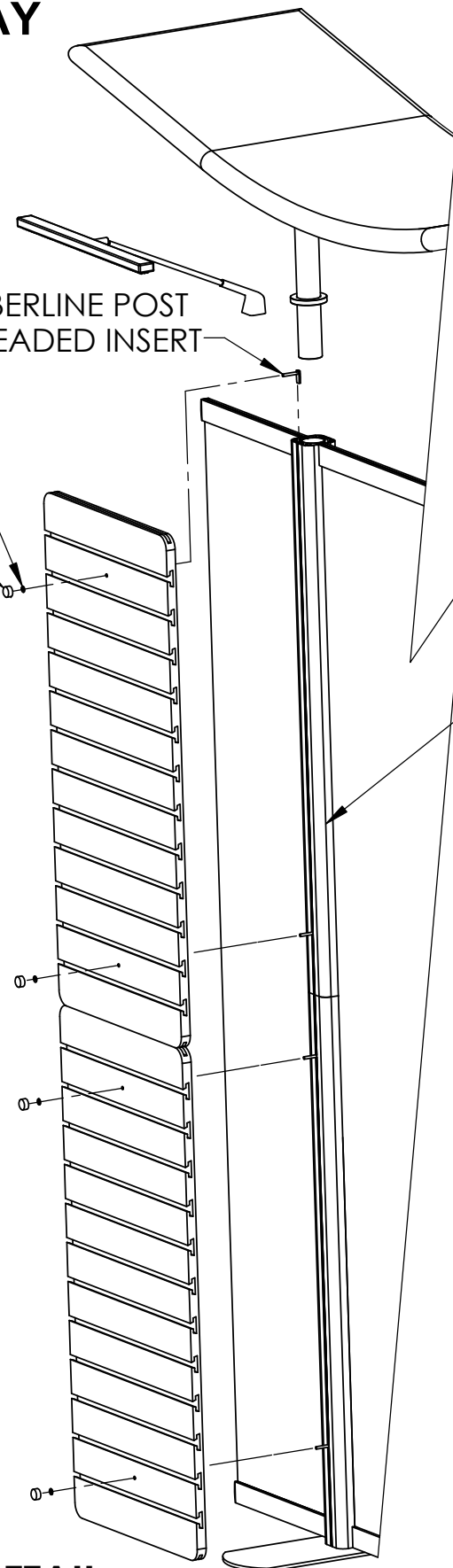
10 FT. TIMBERLINE MODULAR DISPLAY TL1002F-S

TIMBERLINE POST
THREADED INSERT

WASHER
KNURLED KNOB

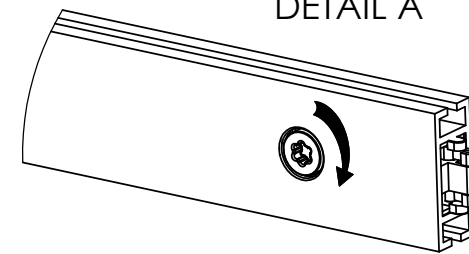
THE SLAT WALL WOOD ASSEMBLY IS ATTACHED TO THE FRONT OF THE TIMBERLINE POST USING A SLIDING THREADED INSERT AS SHOWN, AND FASTENED USING AN INTERNALLY THREADED COSMETIC KNURLED KNOB AND WASHER.

SLAT WALL WOOD ASSEMBLY DETAIL



TIMBERLINE POST

DETAIL A



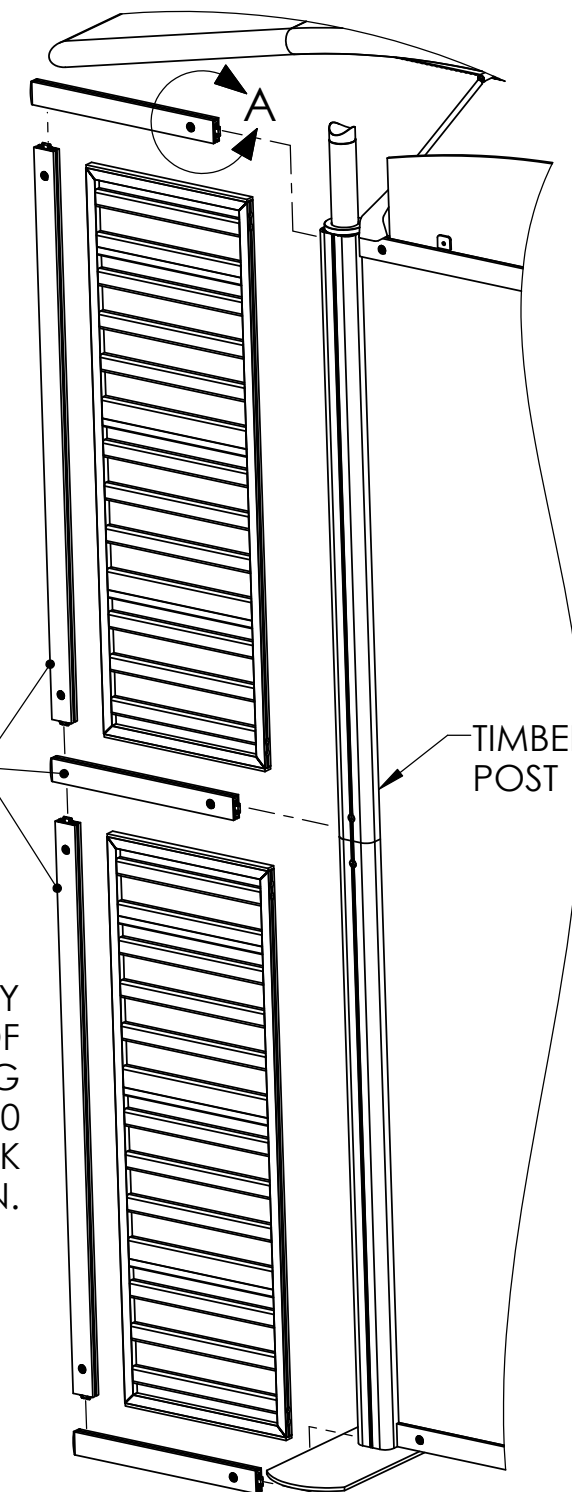
INTERLOCK MECHANISM
TURN TO LOCK
REVERSE TO UNLOCK

Z-4400
EXTRUSION

TIMBERLINE
POST

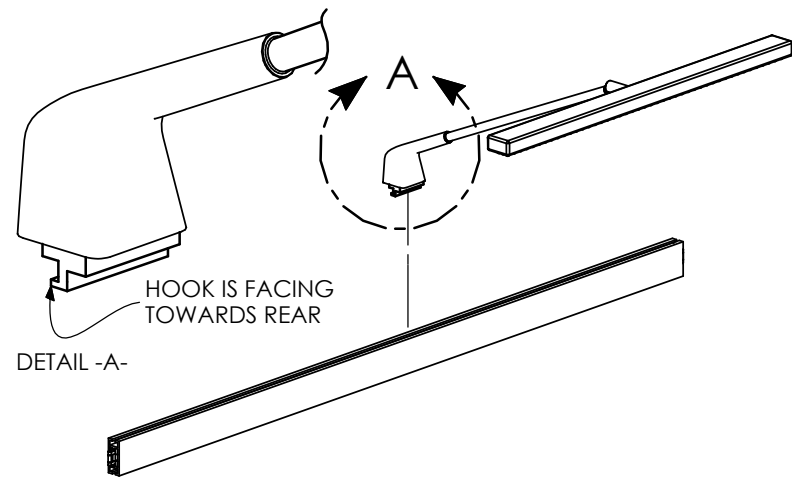
THE SLAT WALL WING ASSEMBLY IS ATTACHED TO THE SIDES OF THE TIMBERLINE POST USING A FRAMEWORK OF Z4400 EXTRUSION AND INTERLOCK MECHANISM, AS SHOWN.

SLAT WALL WINGS ASSEMBLY DETAIL



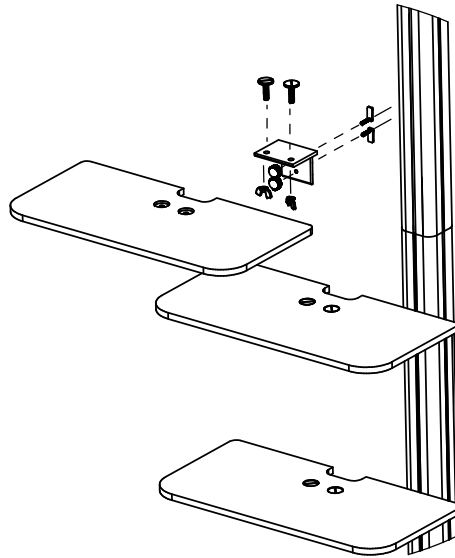
THIRD ANGLE PROJECTION 		THE DOCUMENT AND DATA DISCLOSED HEREIN OR HEREBY ARE NOT TO BE REPRODUCED, USED, OR DISCLOSED IN WHOLE OR IN PART TO ANYONE WITHOUT PERMISSION OF NIEDO GROUP, INC.	
DIMENSIONS ARE IN MILLIMETERS TOLERANCES UNLESS OTHERWISE SPECIFIED		NIEDO GROUP, INC. 5465 SW WESTERN AVE. BEAVERTON, OR 97005	
SEE DWG. NO.		10 Ft. Timberline Modular Display SET UP INSTRUCTIONS	
SCALE:		SHEET	
DO NOT SCALE DRAWING		REV 01	

10 FT. TIMBERLINE MODULAR DISPLAY TL1002F-S



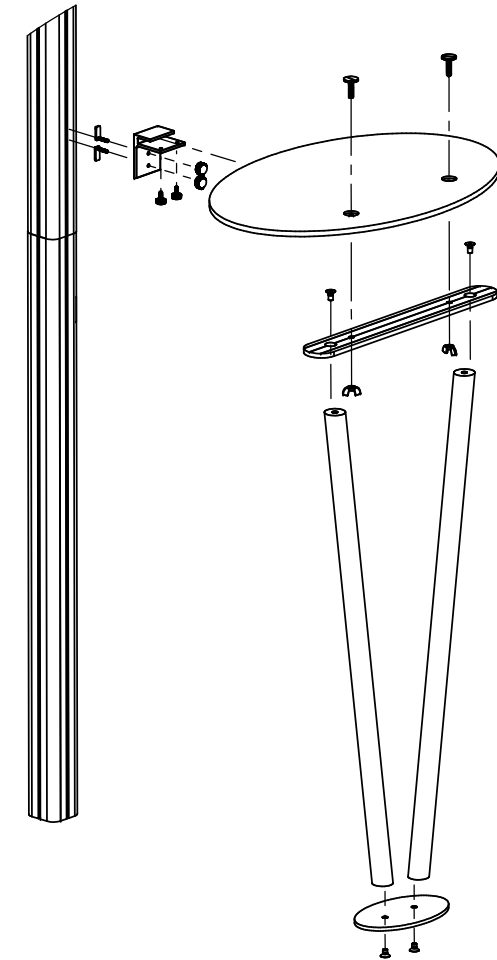
OVERHEAD LAMPS

SLIDE THE BASE ADAPTER INTO THE BOTTOM OF THE LAMP. THEN SLIDE THE LAMP INTO THE TOP GROOVE OF THE HORIZONTAL SUPPORT.



TIMBERLINE SHELVES

ATTACH BRACKETS INTO VERTICAL POSTS AND TIGHTEN. PLACE ACRYLIC SHELVES ON TOP OF BRACKET AND SECURE USING LARGE BOLTS AND WING NUTS.



TIMBERLINE TABLE

(ALL HARDWARE IS PROVIDED)
ASSEMBLE TABLE LEGS TOGETHER WITH THE TOP AND BOTTOM BASE PLATES AND SCREWS. THEN ATTACH THE ACRYLIC TABLE TOP WITH THE LARGE BOLTS AND WING NUTS TO TOP OF BASE PLATE ON LEGS. ATTACH CLAMP TO BACK OF ACRYLIC TABLE TOP FOR INSERTION INTO VERTICAL POSTS.

TIMBERLINE ACCESSORY OPTIONS

THIRD ANGLE PROJECTION 		THE DOCUMENT AND DATA DISCLOSED HEREIN OR HEREWITH NOT TO BE REPRODUCED, USED, OR DISCLOSED IN WHOLE OR IN PART TO ANYONE WITHOUT PERMISSION OF NIEDO GROUP, INC.	
MATERIAL: DIMENSIONS ARE IN MILLIMETERS TOLERANCES UNLESS OTHERWISE SPECIFIED		NIEDO GROUP, INC. 5465 SW WESTERN AVE. BEAVERTON, OR 97005 10 Ft. Wave Top Modular Display SET UP INSTRUCTIONS	
SEE	DWG. NO.	SCALE:	REV 01
		DO NOT SCALE DRAWING	SHEET