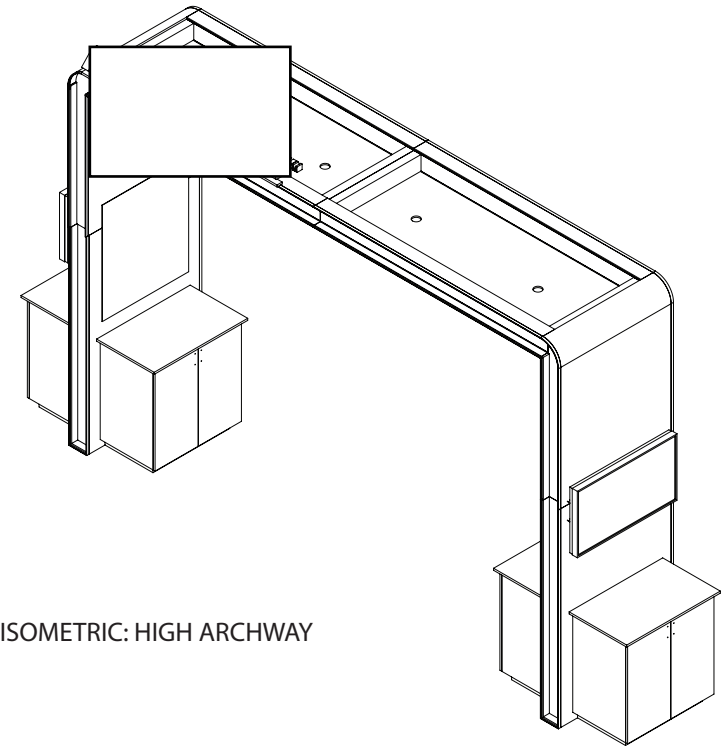


EXPLODED ISOMETRIC: HIGH ARCHWAY



ISOMETRIC: HIGH ARCHWAY

CASE LIST

| Case # | Sizes (inches) | Wt (lbs) | Contents |
|--------|----------------|----------|---|
| 3 | 60x55x101 | 825 | HIGH UNIT: 6 SECTIONS, 6 METAL BARS, 2 DOUBLE BARS |
| 7 | 55x46x47 | 375 | (2) "WORK STATIONS" |
| 8 | 55x46x47 | 375 | (2) "WORK STATIONS" |
| CRATE | 40x54x5 | 75 | GRAPHICS + BLOCKS |
| LOOSE | 60x42x36 | 200 | METAL JOB BOX: MISC. PIECES, FABRICS, SHELVES, HARDWARE |