

Myriad™ Banner Stand

Smart Design Meets Perfect Form

exhibiting solutions



Integral Merchandising System

Myriad™ Banner Stand

Myriad™ offers you more than other banner stands. In addition to giving you lightweight portability, convenient set up and big graphics, you also get the ability to display products and literature.

Integral Merchandising

Myriad is designed to give banner stand exhibitors more options and flexibility than ever before. Its merchandising capabilities are built into the system so you get a cohesive brand and product presentation.

Durable, Soft-Sided Case

Myriad packs into a durable nylon case that is compartmentalized to protect components and accessories. The case has a handle and strap for easy transport and can be shipped without an extra box or hard case.

Perfect For Many Settings

Myriad is great for trade shows, events, retail, lobbies and more.



Accessories are easy to attach and can be installed at two heights.

Quick and Easy Graphic Exchange System!



Simply retract the existing graphic and slide it out of the base. Slide the new graphic into the base and raise the graphic.



1 Halogen Lighting – 50 Watt
 Fixture attaches to the top of the panel and highlights your graphic and merchandise.

2 Graphic Panels
 Communicate your message in style with vibrant and durable Skyline graphics. Panels are available in fabric, laminated print or UV on vinyl.

3 Shelving, Literature Holder
 Accessories like acrylic and metal shelves and literature holder give

you flexibility in exhibiting.

4 Accessory Support Pole
 Each pole supports up to 4 lbs. (1.8 kg) of product or literature. Accessories attach without tools and are easily repositioned to any point along the support pole.

5 Sleek, Retractable Base
 Graphic panel retracts into the base during storage. The base also contains a **Graphic Exchange System** which allows you to easily change your graphics on-site.

Myriad™ Banner Stand

Specifications



Merchandising accessories are easily repositioned to fit changing needs.

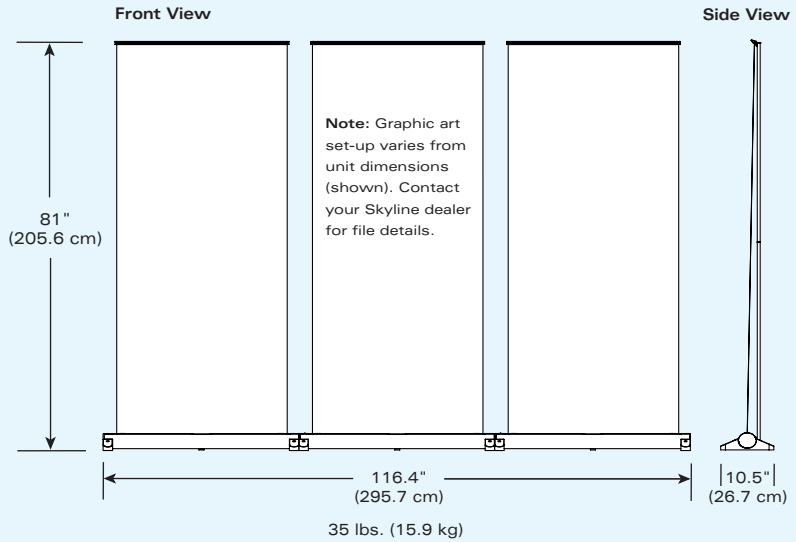


Use as a single kiosk or align multiple units for inline applications.

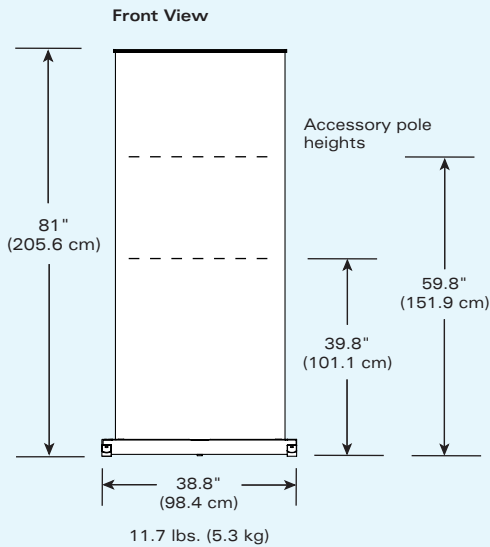


Durable nylon case has compartments and accessory trays to protect components during shipping and storage.

3-Unit Inline Display



Single Unit

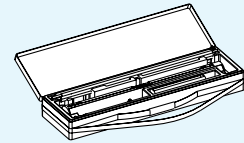


Cases

Cases include shoulder strap and handle.

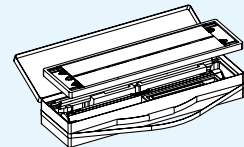
Short Case

Height: 5" (12.7 cm)
Weight: 6.4 lbs. (2.5 kg)
(Holds 1 unit or up to 3 accessory trays)



Tall Case

Height: 6" (12.7 cm)
Weight: 8.4 lbs. (3.8 kg)
(Holds 1 unit and 1 accessory tray)



Width x length for both cases:
13" (33 cm) x 43.5" (110.5 cm)