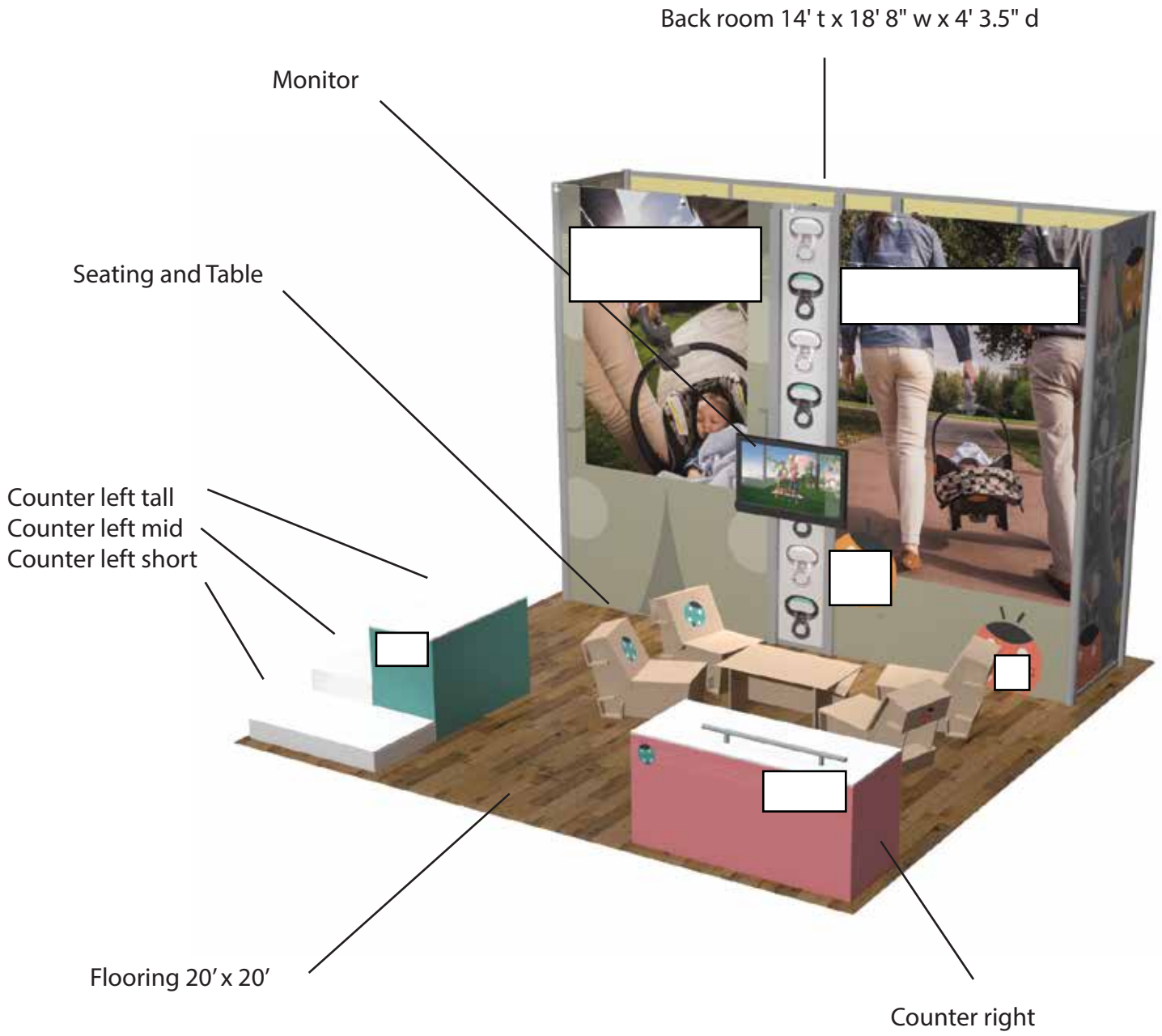


20x20 split island

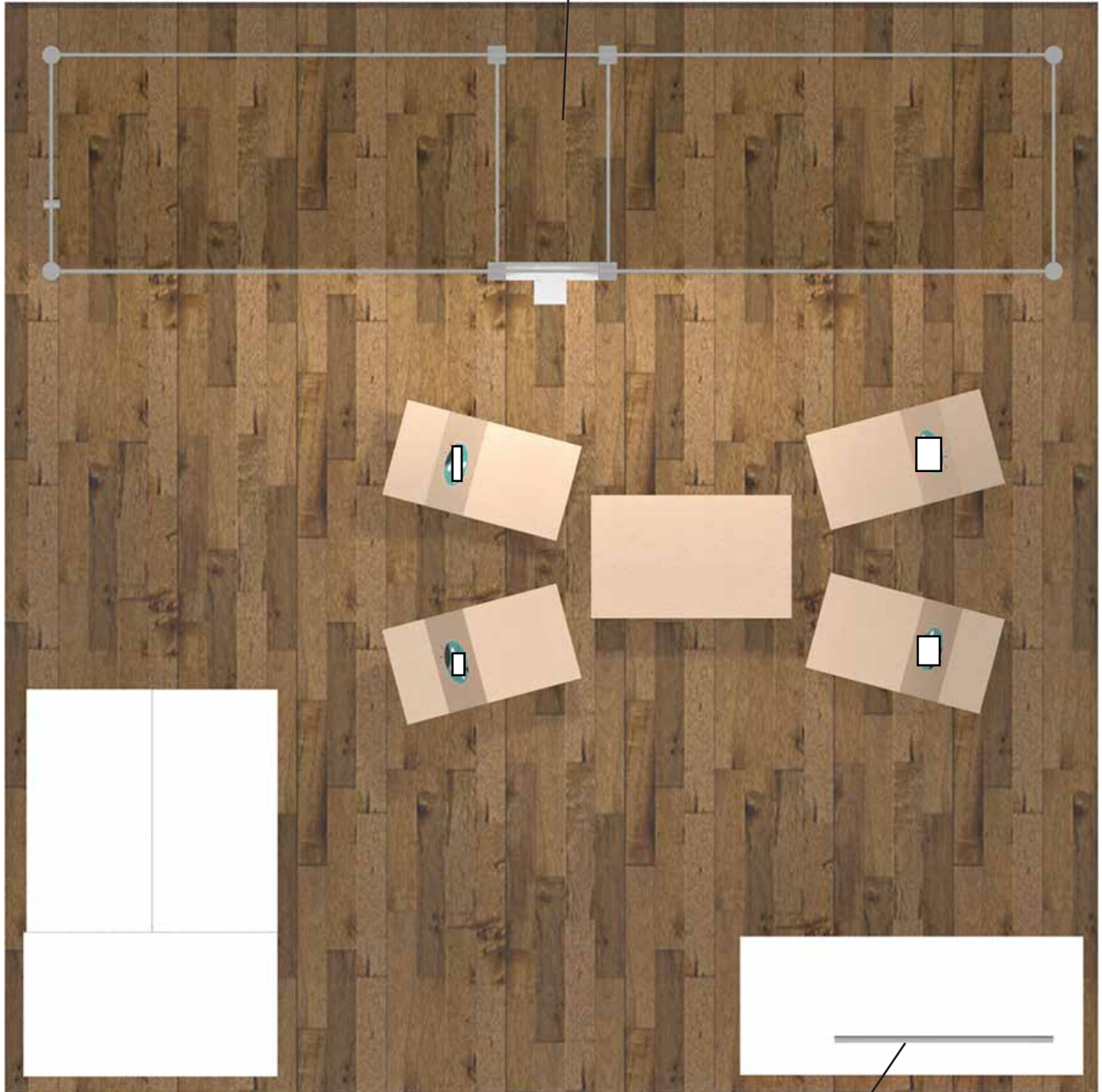


Right view



Top view

Storage and electrical



Product display

Front view



5'8"  
av. female  
height

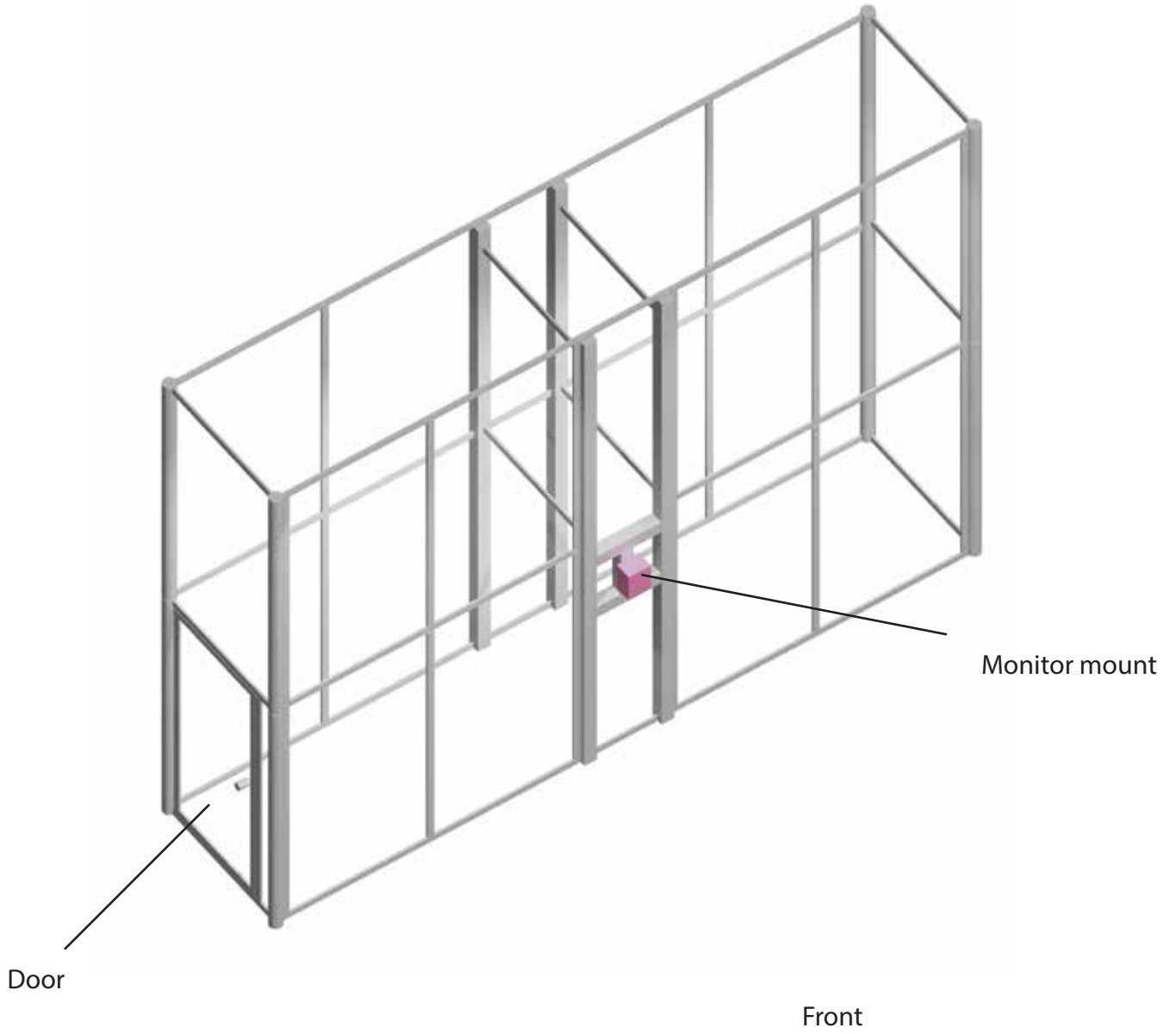
Left view



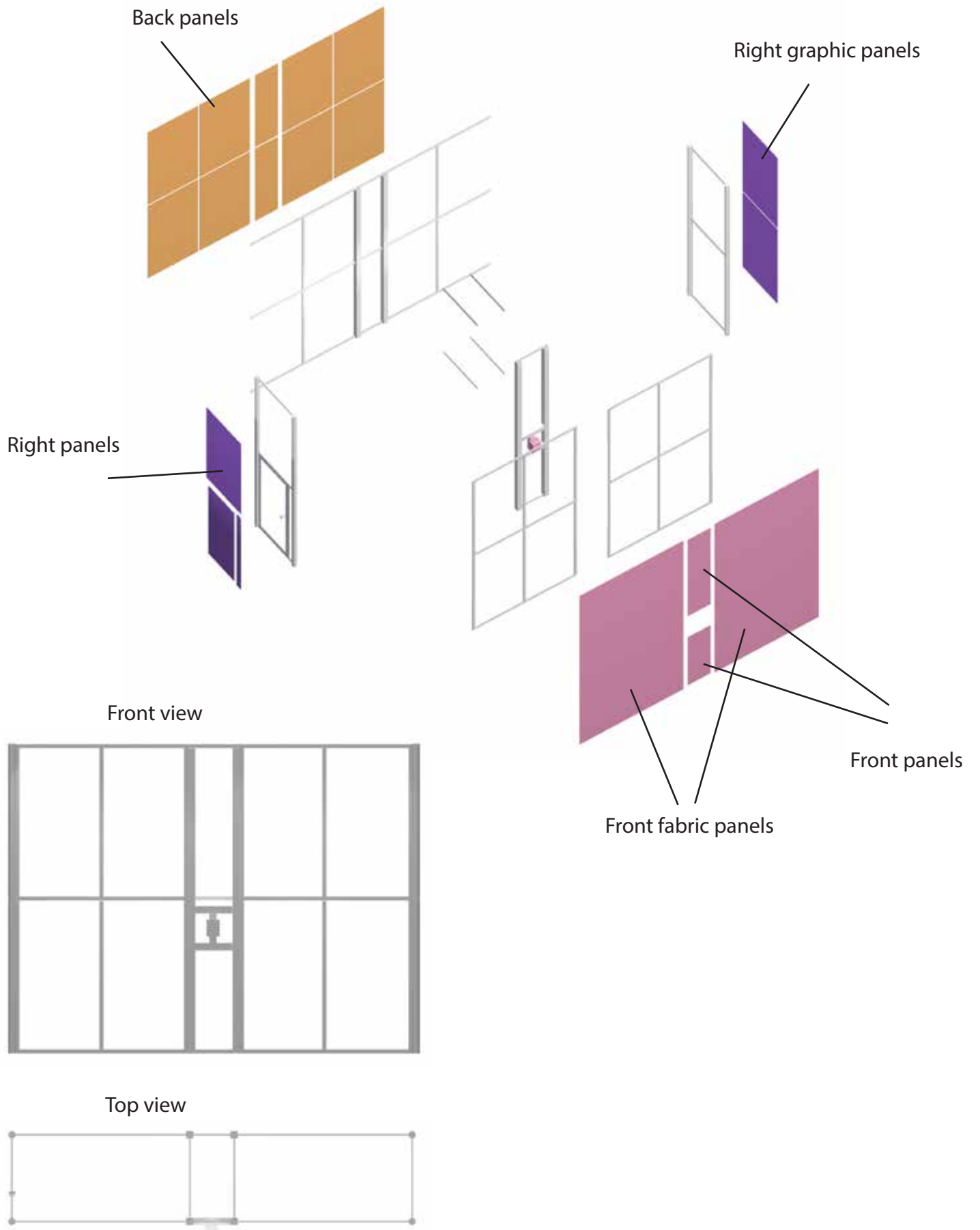
Right view



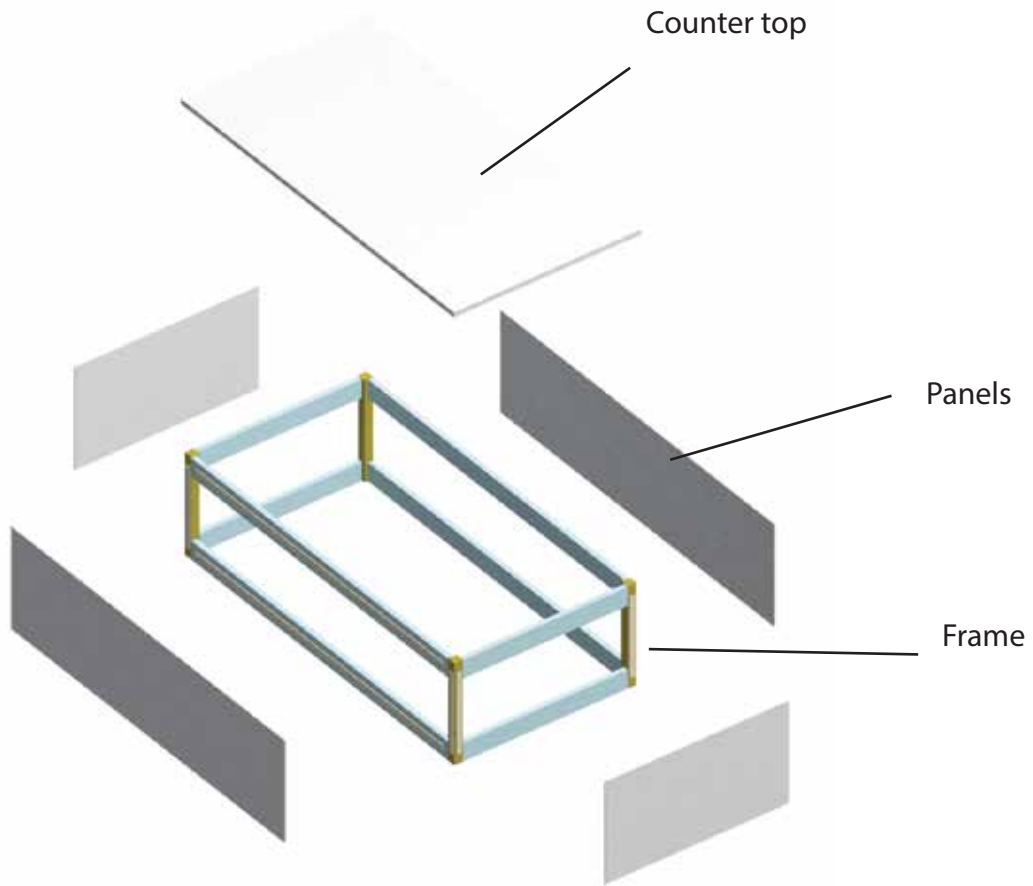
Back room frame



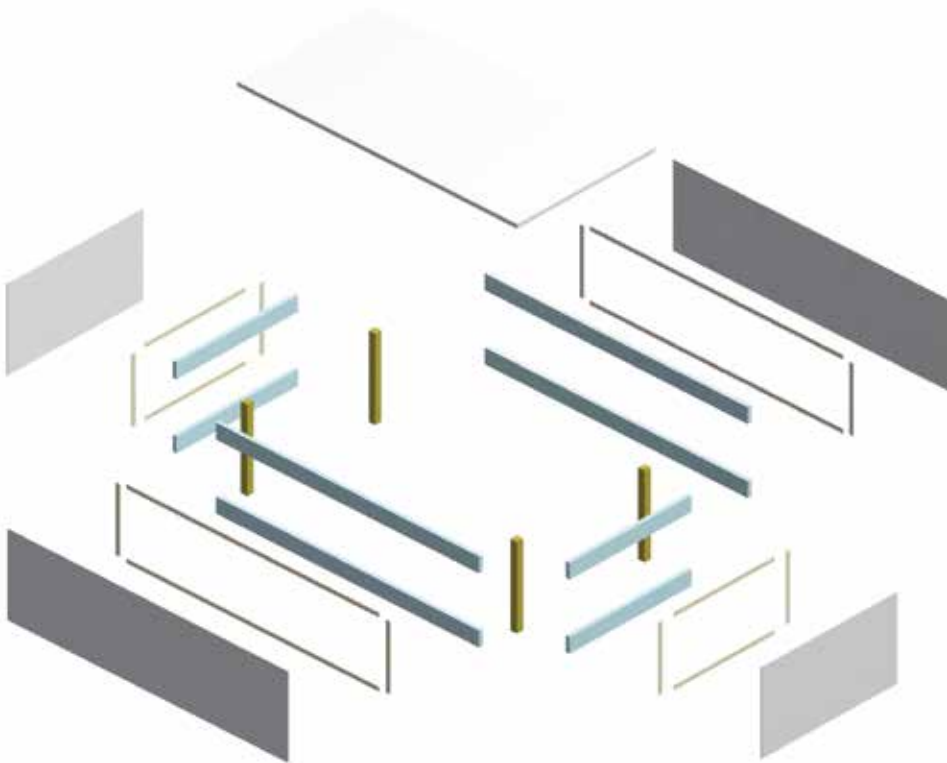
Exploded view



Counter left mid



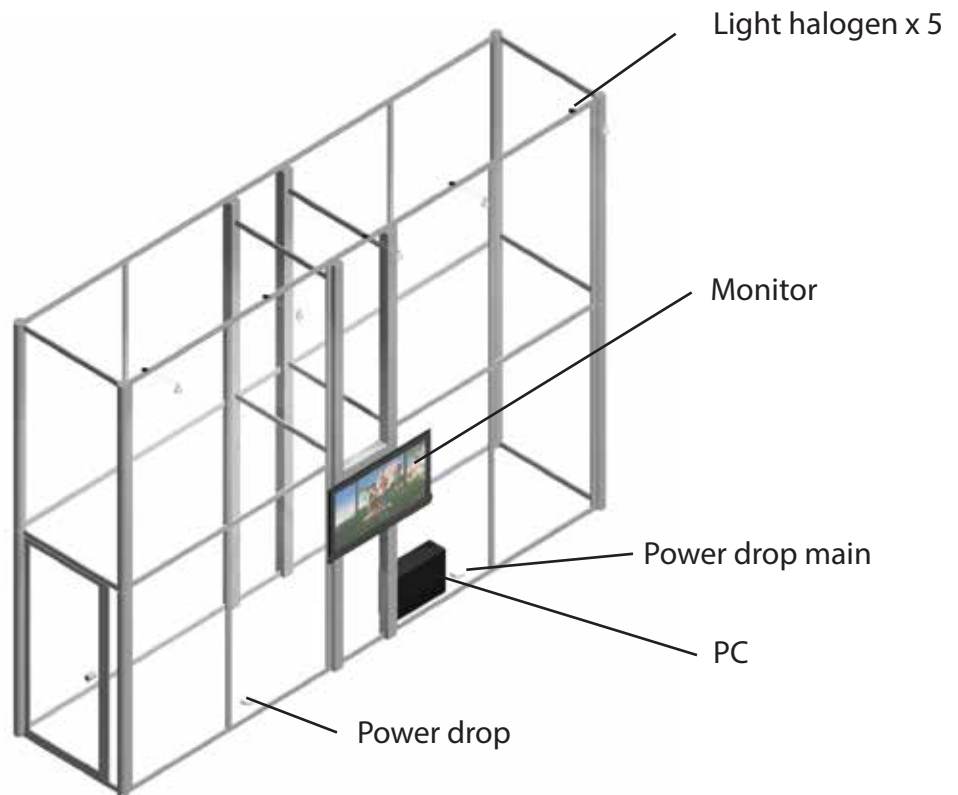
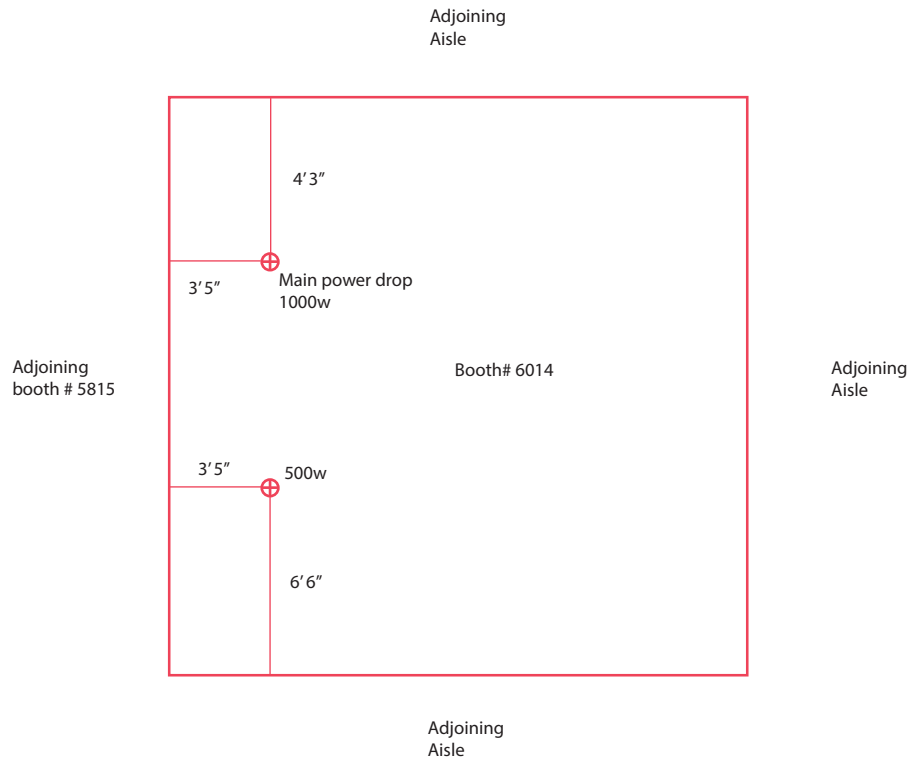
Counters same build  
- Counter left short  
has no bottom struts



Exploded view

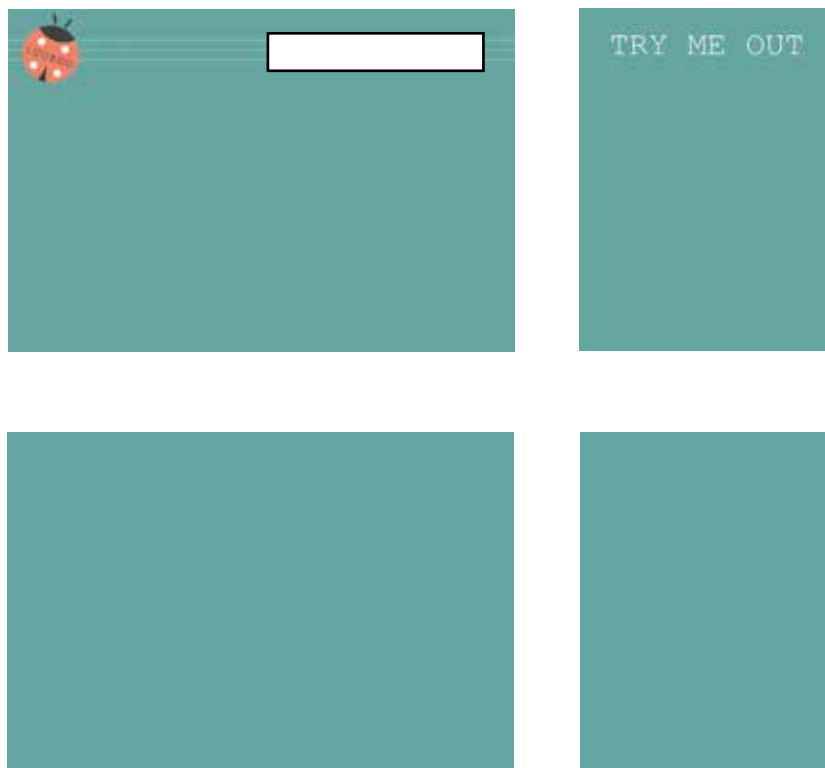


Electrical  
Positioning for back room all the way to the back or inset  
Ample power  
Separate sheet will be provided

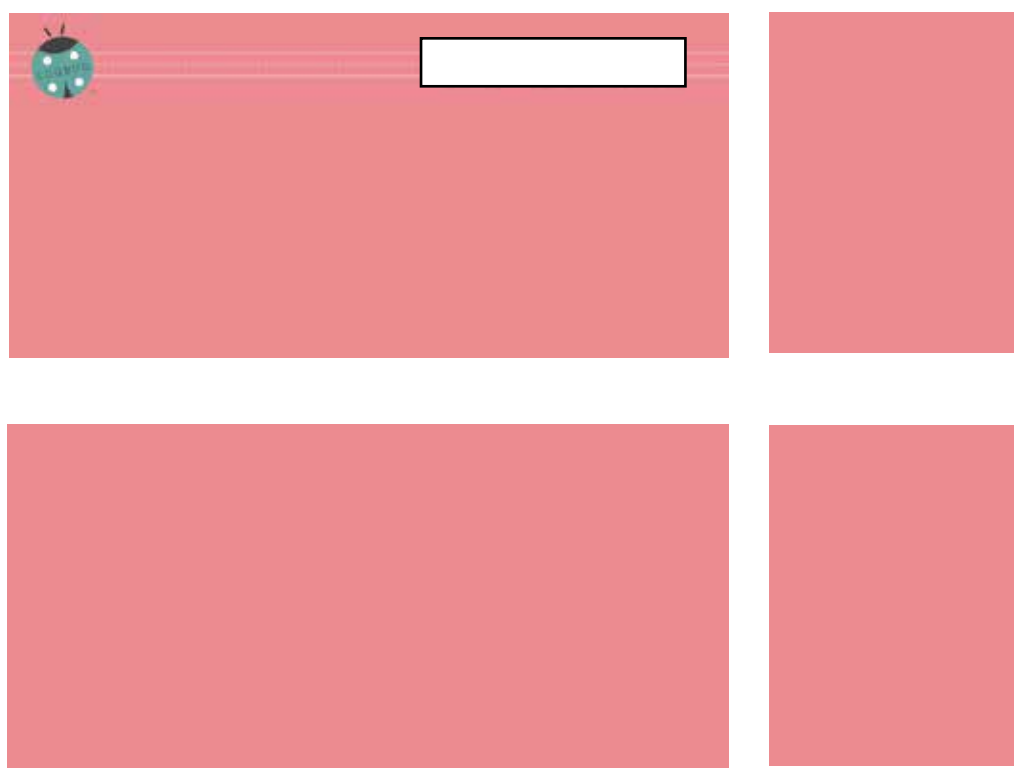


Counters Mockup  
Left mid and short - white sintra

Print  
Counter left tall



Print  
Counter right





Side left  
Door



Front left



Center



Front right



Side Right





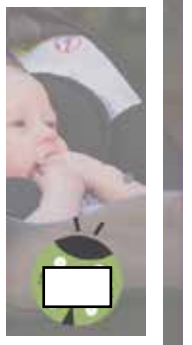
Side left  
Door

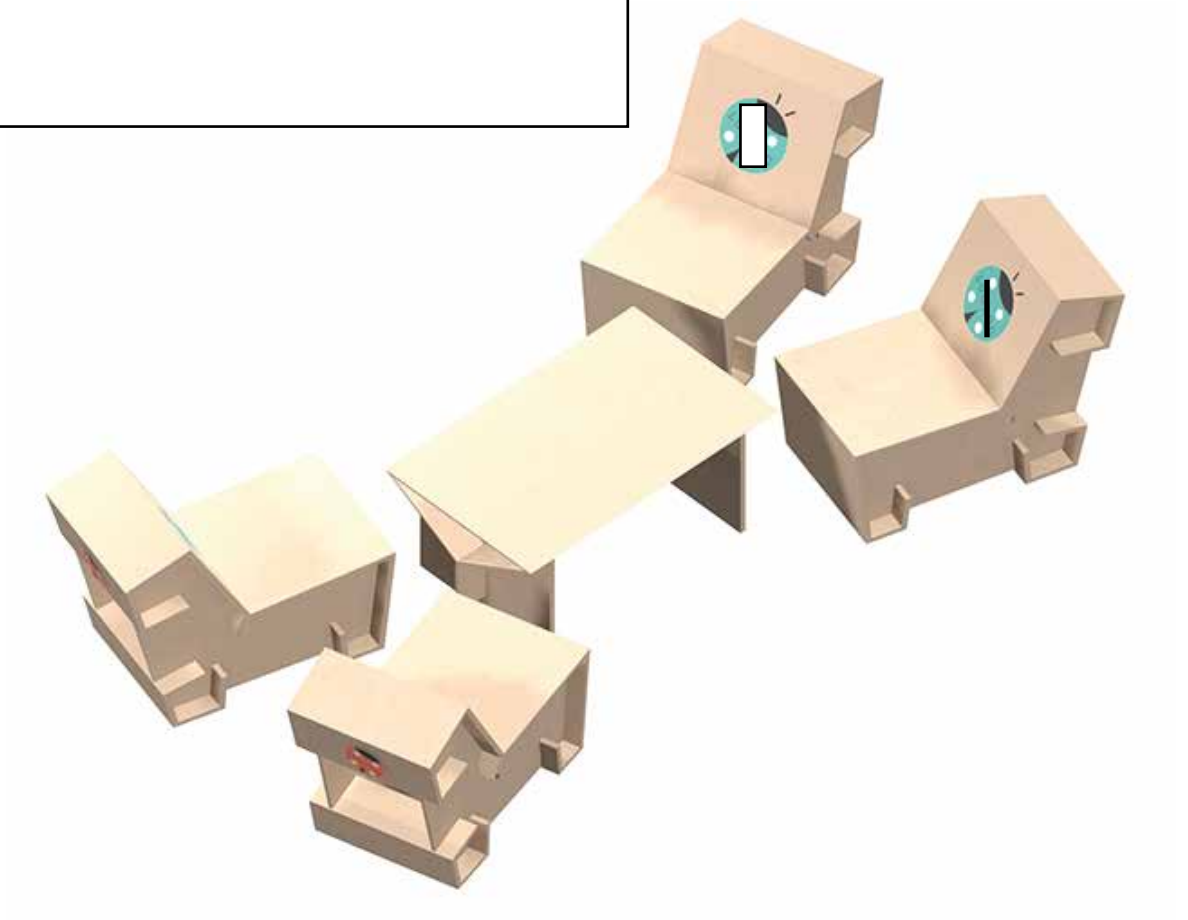
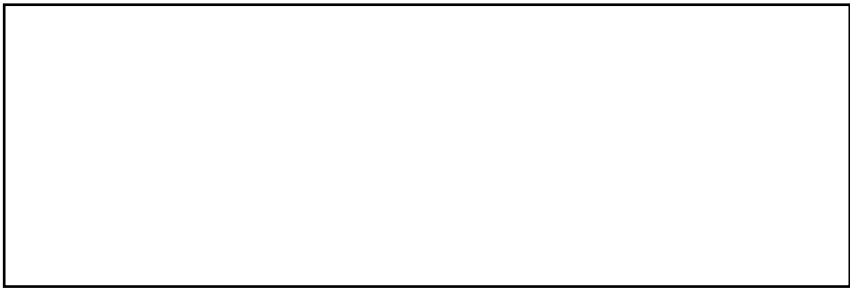
Front left

Center

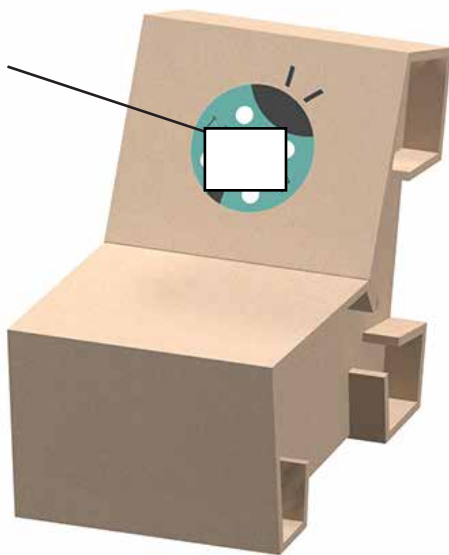
Front right

Side Right

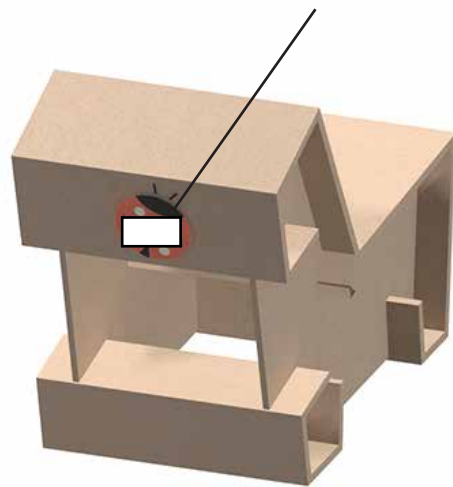




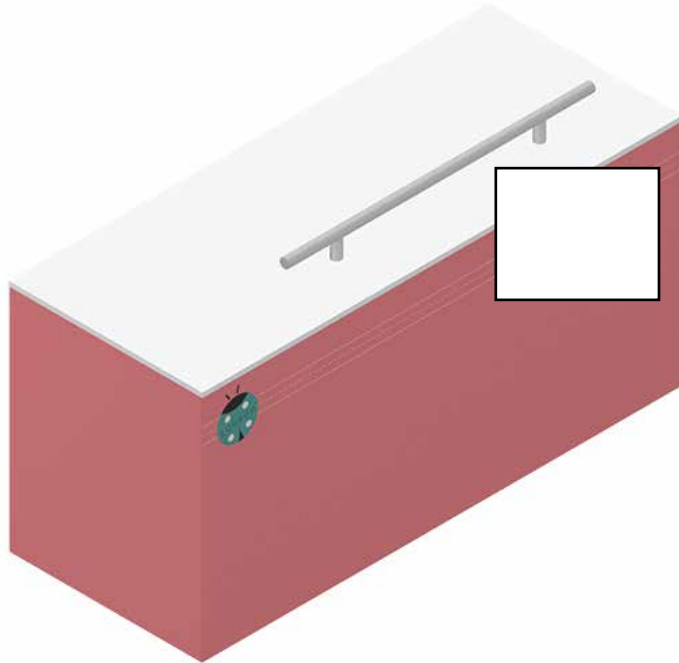
Logo sticker front



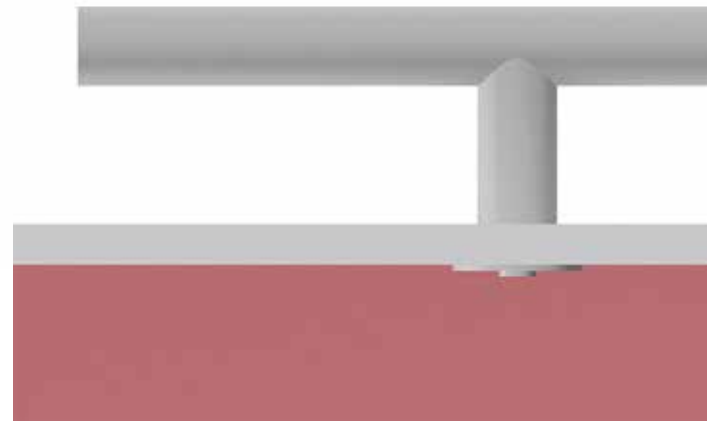
Logo sticker back



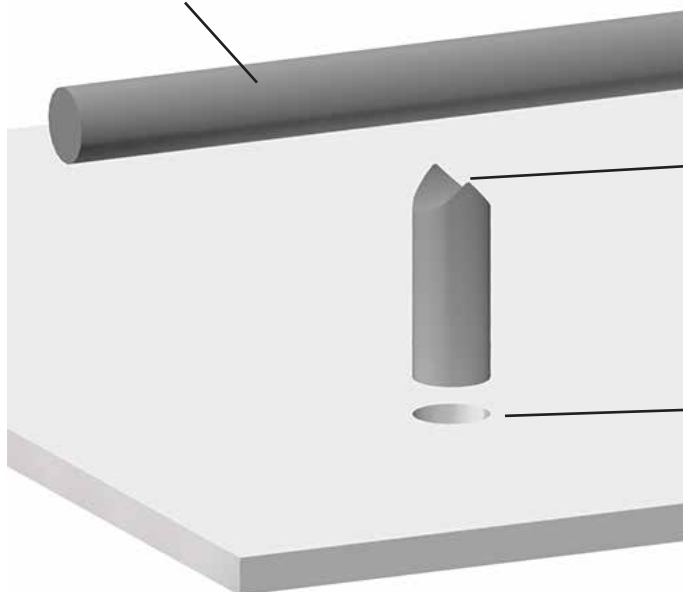
Display detail  
Counter right  
Product display bar - Acrylic



Side view



Horizontal



Grudge (curve)  
see if supplier will cut  
if not use long length, grudge,  
then cut to length

Counter with hole  
verts inset to bottom

Washer  
Screws



## Data sheet

Parts list detail will be provided

### Back room panels, frame - Back and sides

Full size 14' t x 18' 8" w x 4' 3.5" d

Graphic panels.

1/4" Sintra, laminate graphics

Left top - 3' 8.1" w x 6' 9.9" t

left door - 2' 8.7" w x 6' 4.4" t

left bottom right of door - 5.1" w x 6' 8.4" t

right top - 3' 8" w x 6' 6.7" t

right bottom - 3' 8" w x 7' t

Back main (x8) Sintra light grey

- 3'10.4" w x 6' 9.9" t

Back center top and bottom (x2) Sintra light grey

- 1' 8.8" w x 6' 9.9" t

Parts:

4 corners Main verticle beams (extrusion) - pg 322. verticle extrusion Vr108. 7' (8 pcs).

connector pg 134 Reference: 645 (4pcs)

Vert beams centers pg 320, pt vs108, 6'10.9" (4pcs)

2 pcs have loe

connector pg 134 Reference: 645 (2pcs)

Sides and mid- beams horizontal short- part ph1005 pg. 329. 3' 7.5" (10 pcs) lbe

connectors both ends (10 pcs) pt cbx42. pg 86

Cross sections horiz- part ph1005 pg. 329. 7'9.8" (2pcs) lbe

Cross sections vert - ph1005, 6' 8.67", (4pcs) lbe

Door Agam pg 229

Top horiz - pt. ph1045, pg 329. 6' 3pcs.

2 pcs loe

Connector pt cbx42. pg 86 (2pcs)

Bottom - pt. ph1045, pg 329. 7'9.8" 2pcs. lbe.

Center ph1045. 1'8.23" 2pcs, lbe

### Back room panels, frame - front

2 full fabric frames 7' 10.75" w x 14' t. x 2, ea.

94.75" w x 168"

Graphic panels, center. 1/4" Sintra, laminate graphics

top - 1' 8.9" w x 7' 2.4" t

bottom - 1' 8.9" w x 4' 6.5" t

Parts

horiz. pg. 76, pt. fh322 7' 9.8", (4pcs)

Miter 45deg both ends

Connector Frame miter, pg 122, pt. Reference: 290 42 F30 (8pcs)

vert. fh322 7' pg. 76 (8pcs)

Miter 45 deg. one end

Connector center pt cbx42. pg 86 (4pcs)

-Connector frame to main beams PAL pg 340 fabric frame connector to main frame lefts and rights. 3' (8pcs)

vert beams centers pg 320, pt vs108, 6'10.9" (4pcs)

2 pcs have loe

connector pg 134 Reference: 645 (2pcs)

Center section between beams - part ph1005 pg. 329, 2'4.33" top. lbe

bottom pt ph1005 pg. 329, 1'8.23" lbe

Cross sections horiz- part ph1005 pg. 329. 7' 7.5" (2pcs) lbe

Cross sections vert - ph1005, 6' 8.67", (4pcs) lbe

## Lighting

pg 245 fh halogen mesh lamp. 50w (5pcs)

Bulbs 50w par20 (8 pcs)

Extension cords 30' (7 pcs)

Power strips (4 pcs)

Monitor mount

Monitor mount large pg 201.

Extrusion top and bottom, pg 320, pt vr108. 1'8.23", lbe

Center vert. pt vr108. 1' 4", lbe

Extension cord 20' (1 pc)

## Monitors

Check if pc with monitor or dvd player to be used and monitor compadiblilty

tv 65"



## Counter right

### Panels -

Sintra light grey with laminate graphics. Mount industrial velcro (60')

Fit to frame.

wide, 6' 3.25" x 3' x .25"

short 2' 5.75" x 3' x .25"

### Parts

vert - pg 314, pt. px3032. 3' (4 pcs)

horiz long - pg 322, pt. ph1070. 6' (4 pcs) lbe

horiz short - pg 322, pt. ph1070. 3' (4pcs) lbe

### Counter top -

White laminate, 3/4" mdf

cut to fit walls build - 6' 3.25" x 2'6.35" x .75".

Once fit, place stops inside to frame edge.

Drill to fit display rod

### Display rod - Clear acrylic.

horiz 1" dia. 4' (1pc)

vert - 1" dia. 4" (2pc) Grudge fit. Glue join

Ask supplier if they can cut grudge.

Flame cuts

Washer screw into rod, w/ left and right drill for mount screws to counter.

### Counter left tall

Panels - Sintra light grey with laminate graphics. Mount industrial velcro (55')

Fit to frame.

wide - 4' 5.34" x 3' x .25"

short 2' 2.9"x 3' x .25"

### Parts

vert - pg 314, pt. px3032. 3' (4 pcs)

horiz long - pg 322, pt. ph1070. 4' 2" (4 pcs) lbe

horiz short - pg 322, pt. ph1070. 2' .75" (4pcs) lbe

Counter top - cut to fit walls build - 4' 5.23" x 2' 3.445" x .75". White laminate

Once fit, place stops inside to frame edge.

#### Counter left mid

##### Panels -

Sintra white. Mount industrial velcro (50')

Fit to frame.

wide - 4'5.34" x 1'2.85" x .25"

short 2'2.9"x 1'2.9" x .25"

##### Parts

vert - pg 314, pt. px3032. 1' 2.85" (4 pcs)

horiz long - pg 322, pt. ph1070. 4' 2" (4 pcs) lbe

horiz short - pg 322, pt. ph1070. 2'0.17" (4pcs) lbe

Counter top - cut to fit walls build.

4'5.23" x 2'3.45" x .75".

White laminate

Once fit, place stops inside to frame edge.

#### Counter left short

##### Panels -

Sintra white. Mount industrial velcro (50')

Fit to frame.

wide - 4'7.7" x 0'6.633" x .25"

short 2'7.0" x 0'6.623"x .25

##### Parts

vert - pg 314, pt. px3032. 0'6.645" (4 pcs)

horiz long - pg 322, pt. ph1070. 4'4.4" (2 pcs) lbe

horiz short - pg 322, pt. ph1070. 2'4.3" (2 pcs) lbe

Counter top - cut to fit walls build.

4'7.7" x 2'7.544"x .75".

White laminate

Once fit, place stops inside to frame edge.

12ft ladder