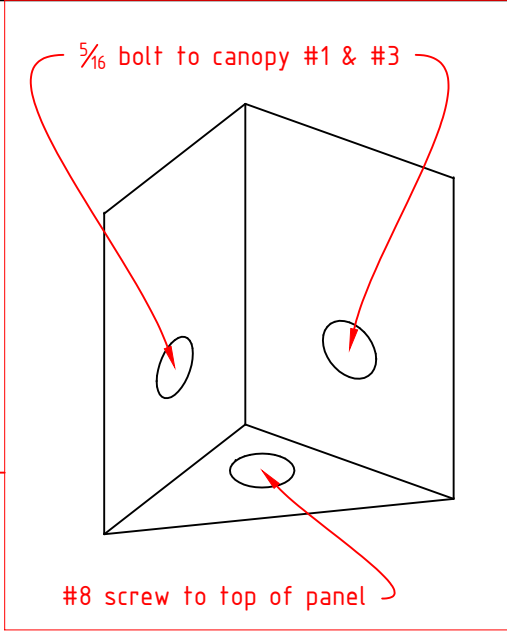
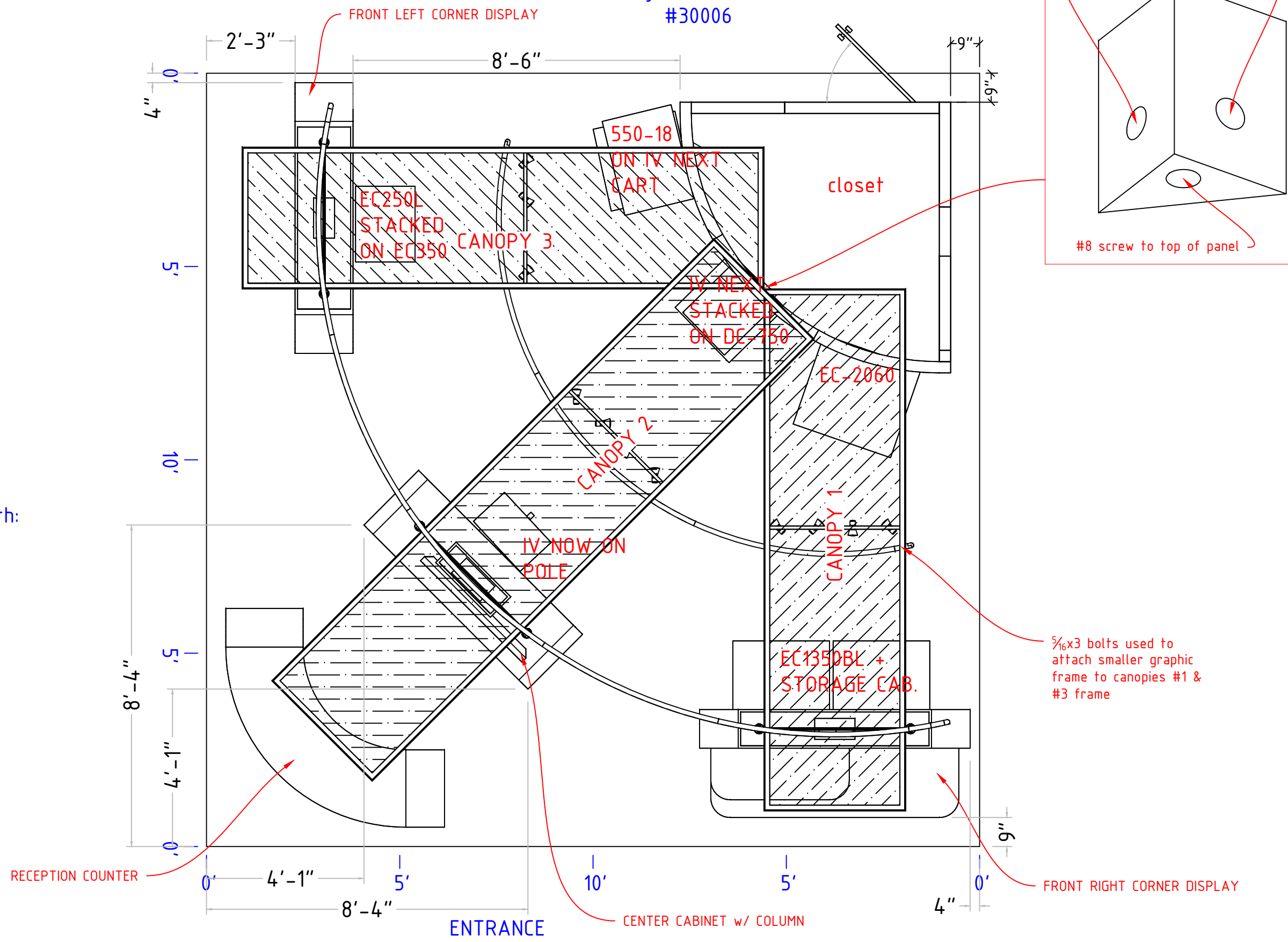


Rev.	Description	By	Date

AISLE adjacent booth: #29000

AISLE adjacent booth: #30006

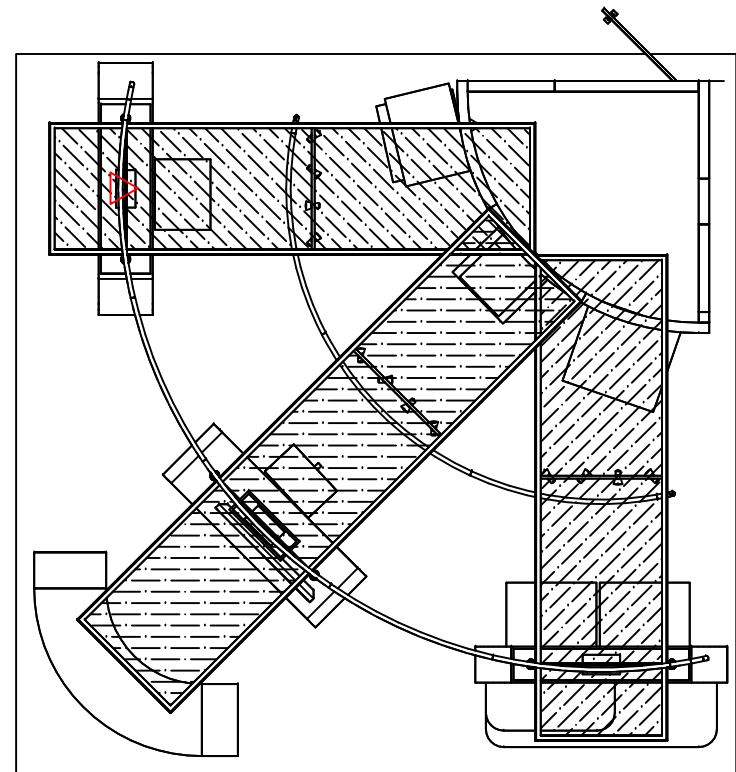


$\frac{5}{16}$ x3 bolts used to attach smaller graphic frame to canopies #1 & #3 frame

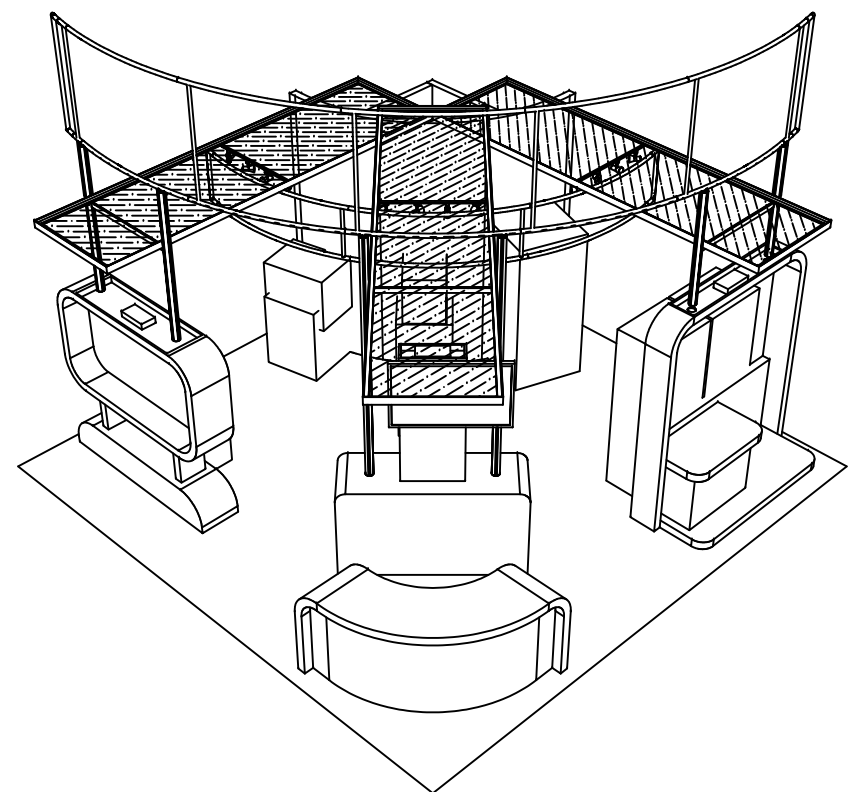
FLOOR PLAN

Rev.	Description	By	Date

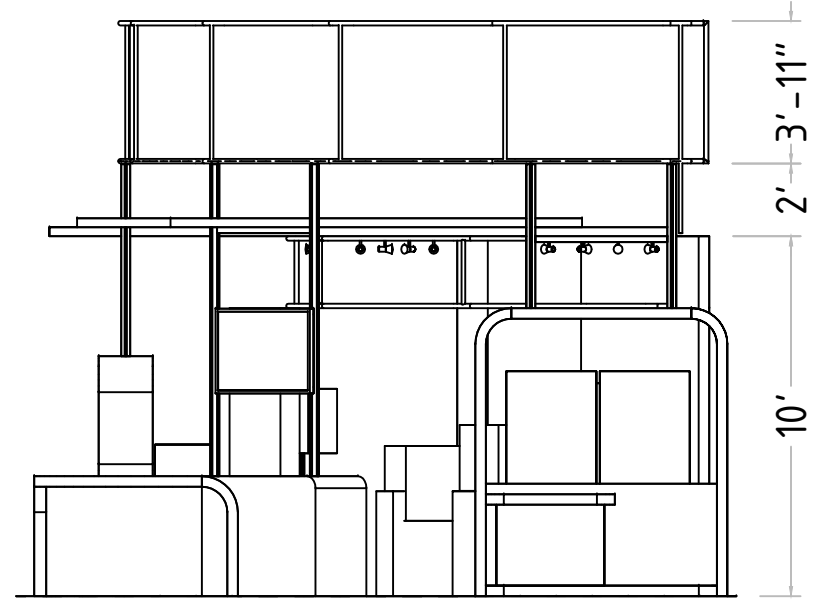
FLOOR PLAN



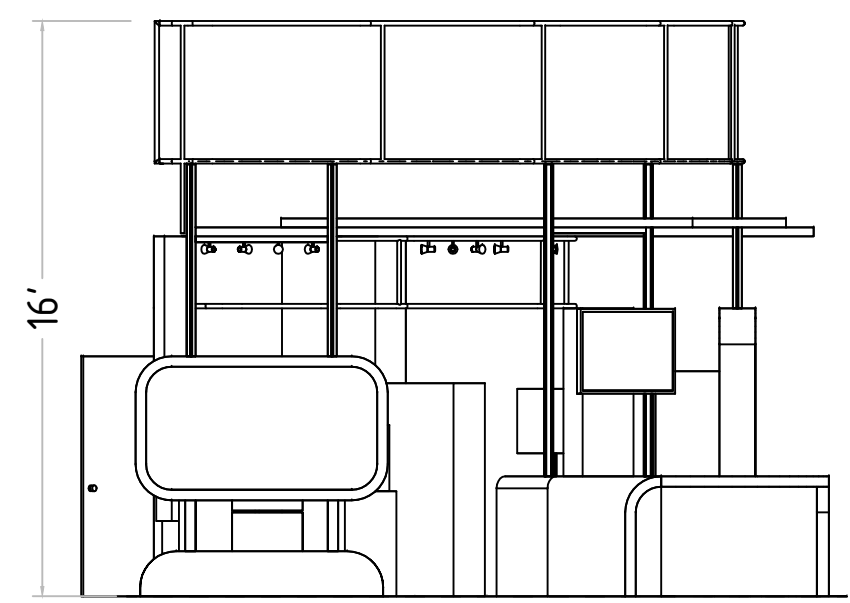
BIRDS EYE VIEW

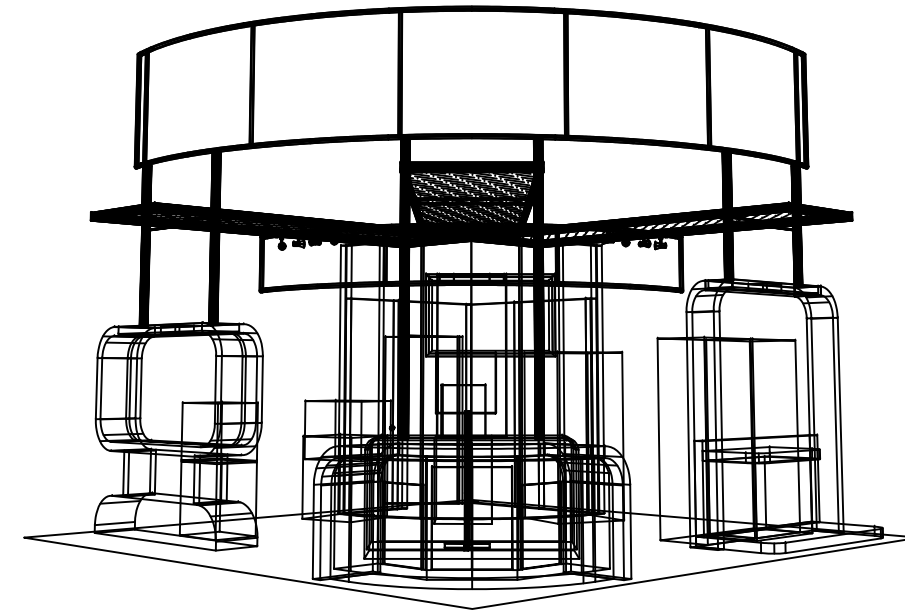
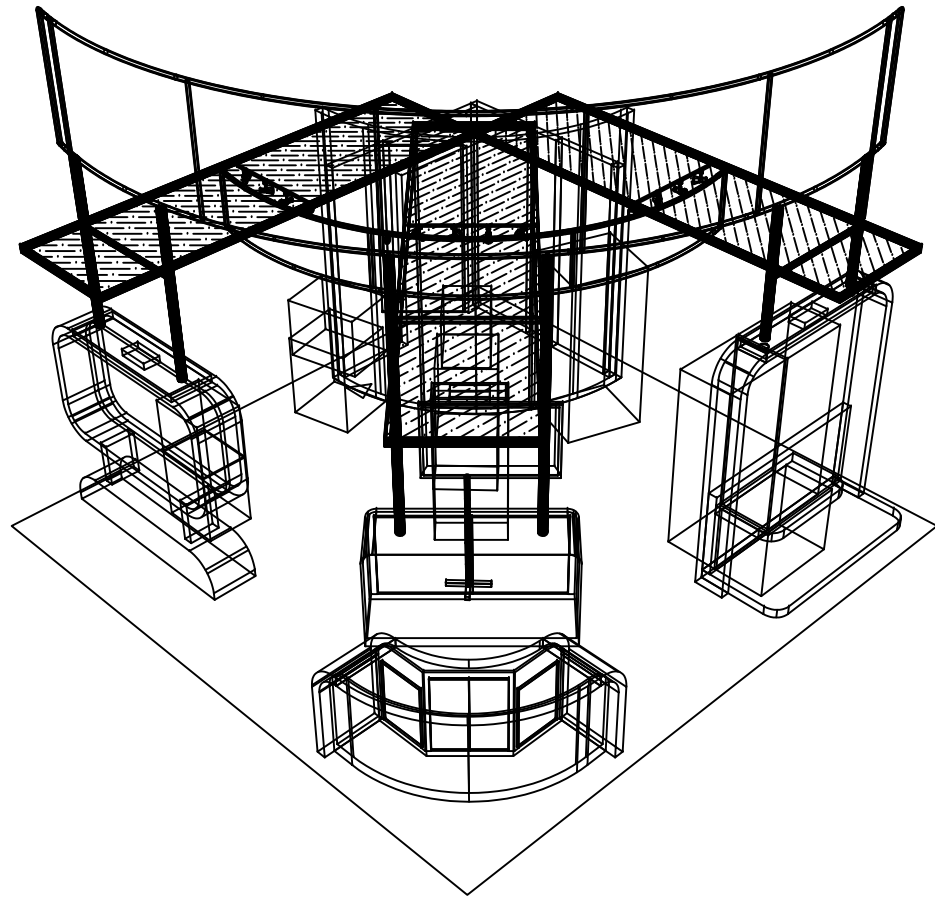


FRONT ELEVATION

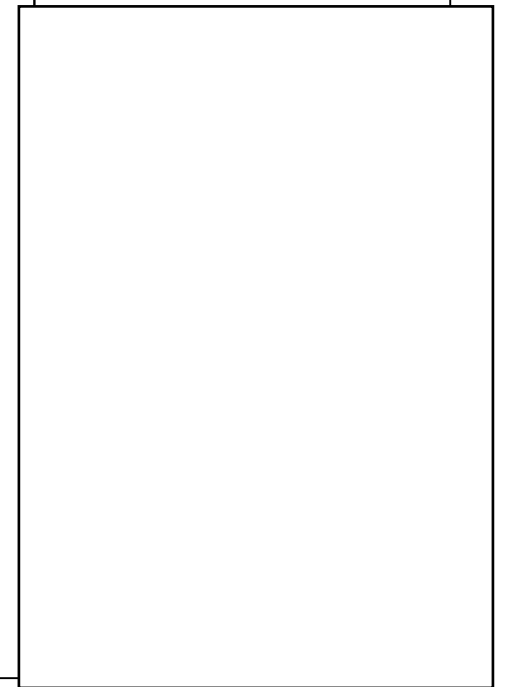
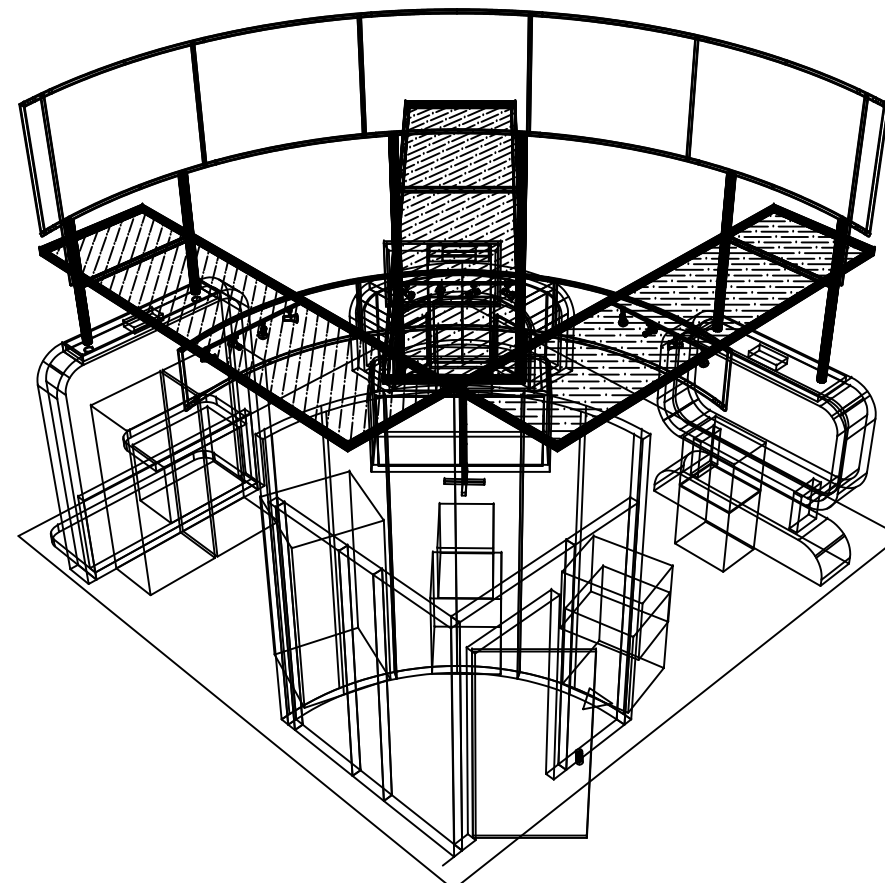
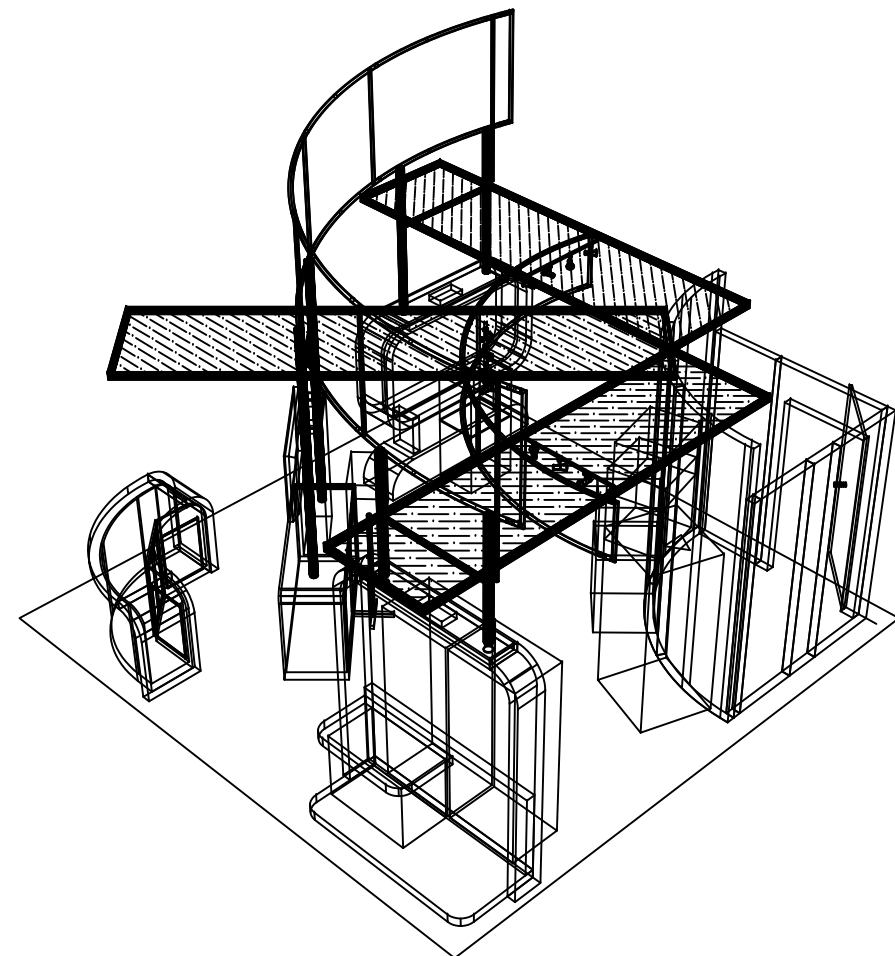


LEFT ELEVATION



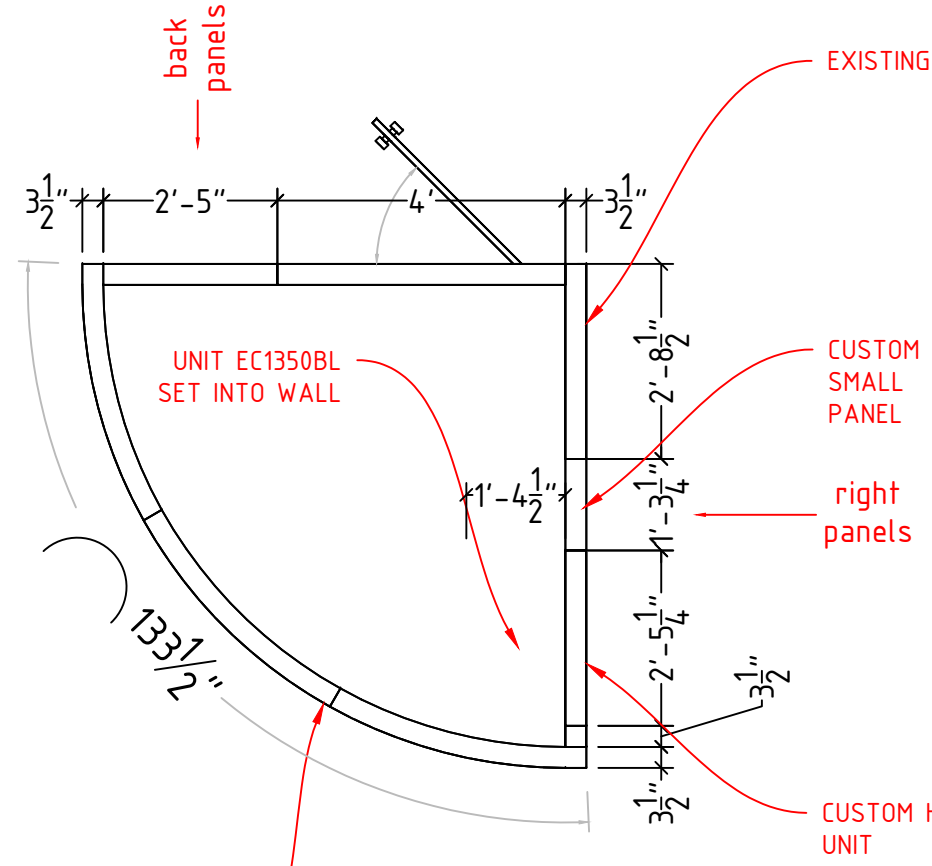


PERSPECTIVES

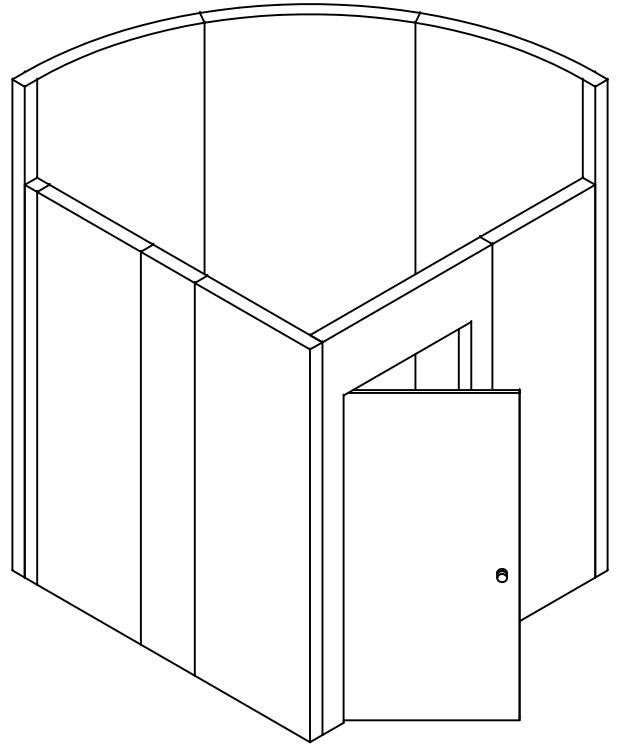
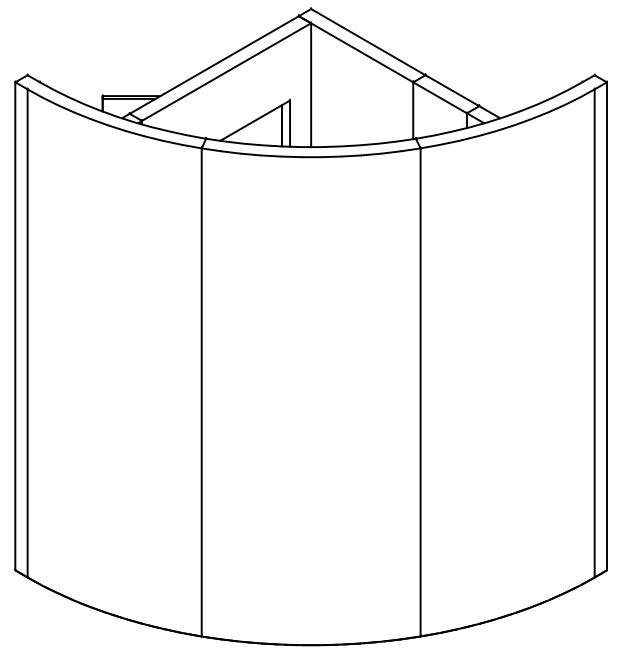


Rev.	Description	By	Date

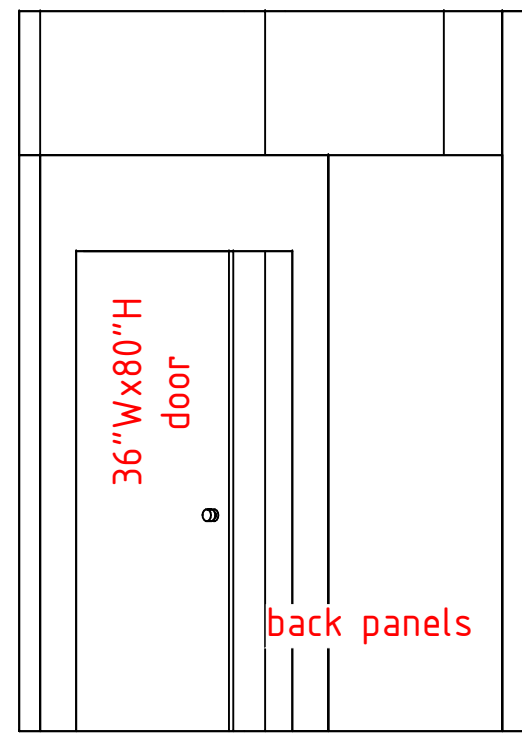
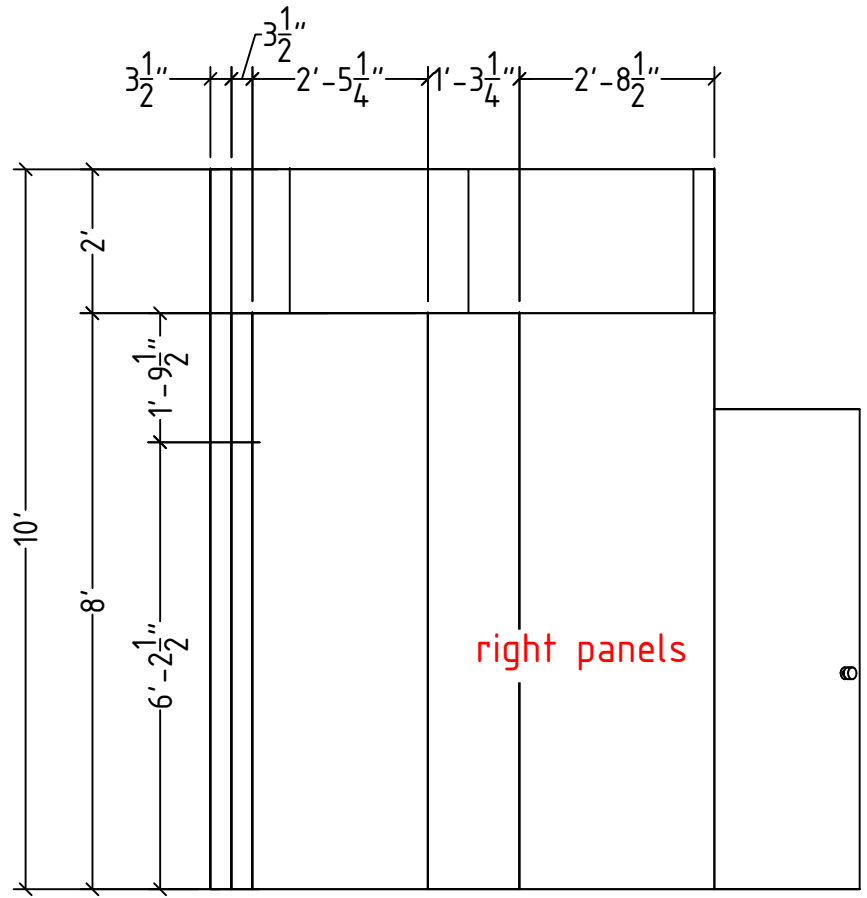
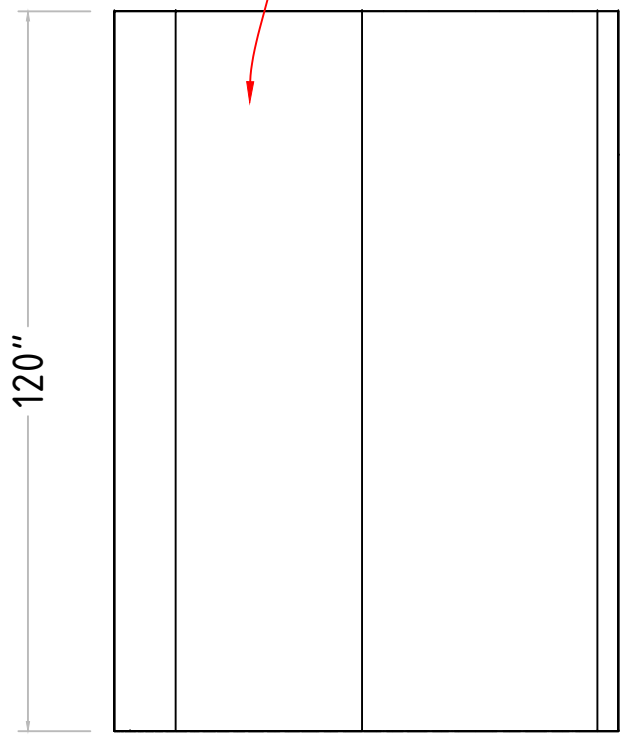
TOP



PERSPECTIVES

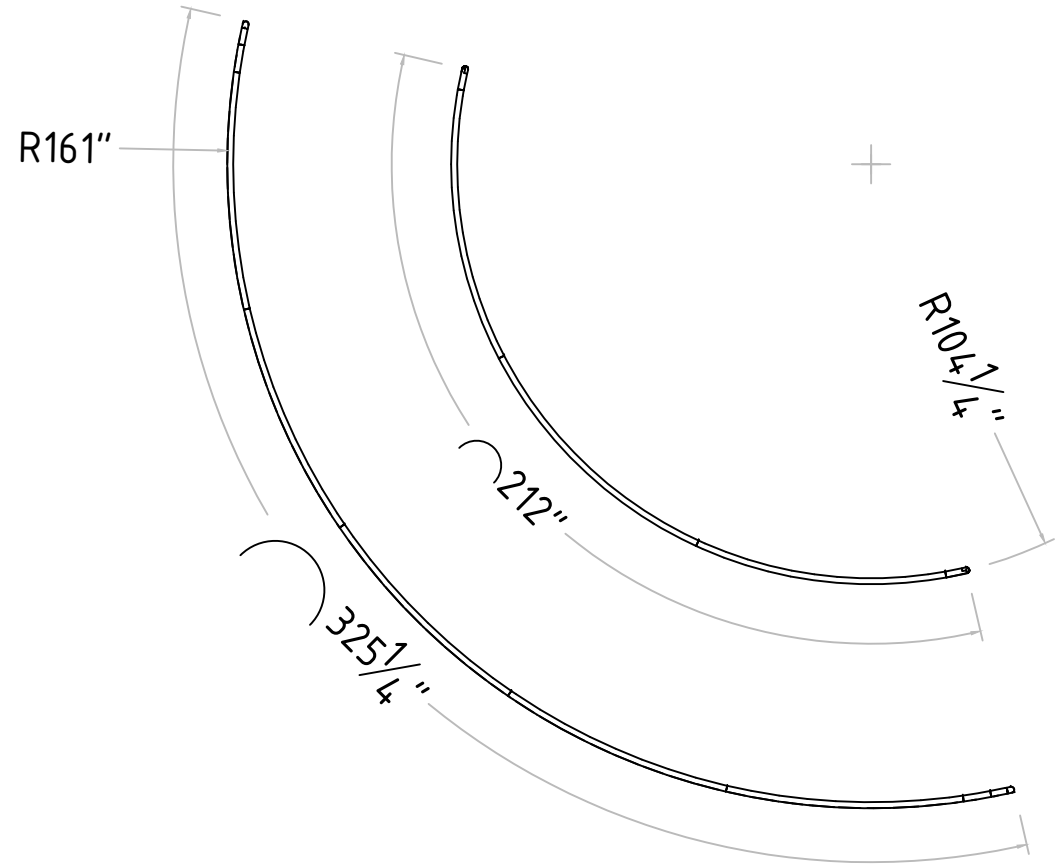


ELEVATION

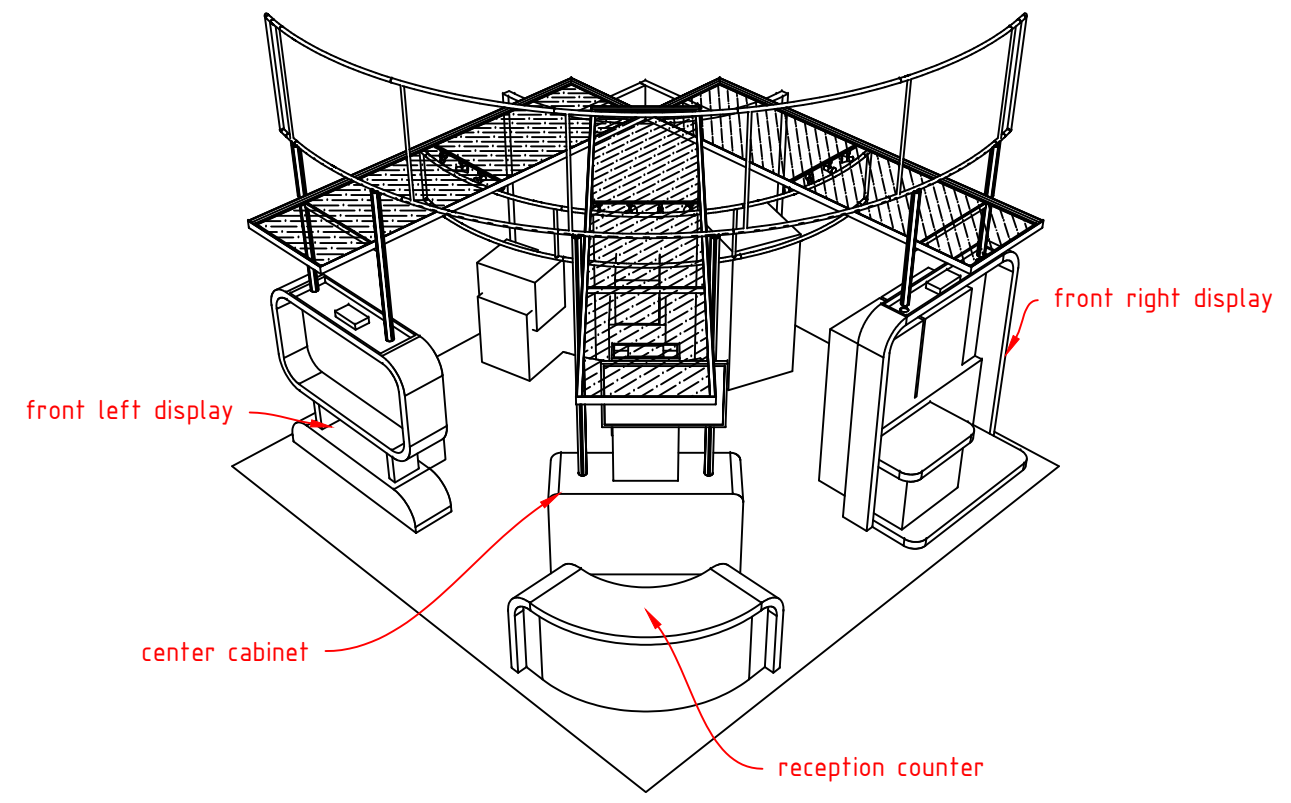


Rev.	Description	By	Date

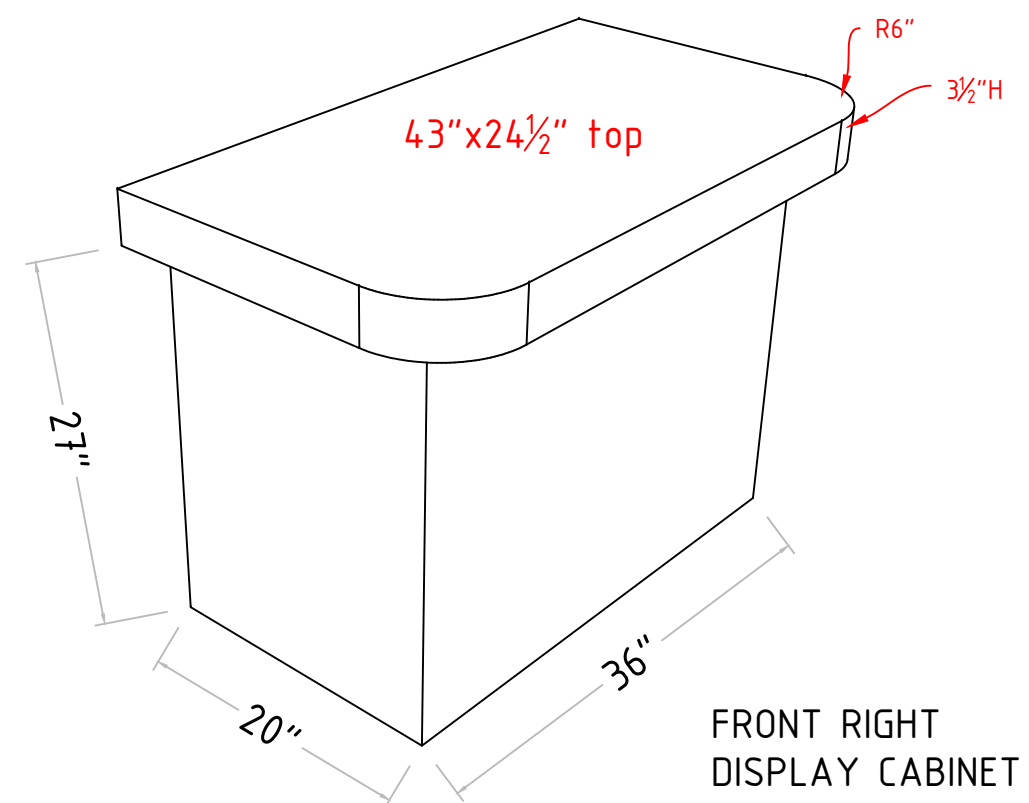
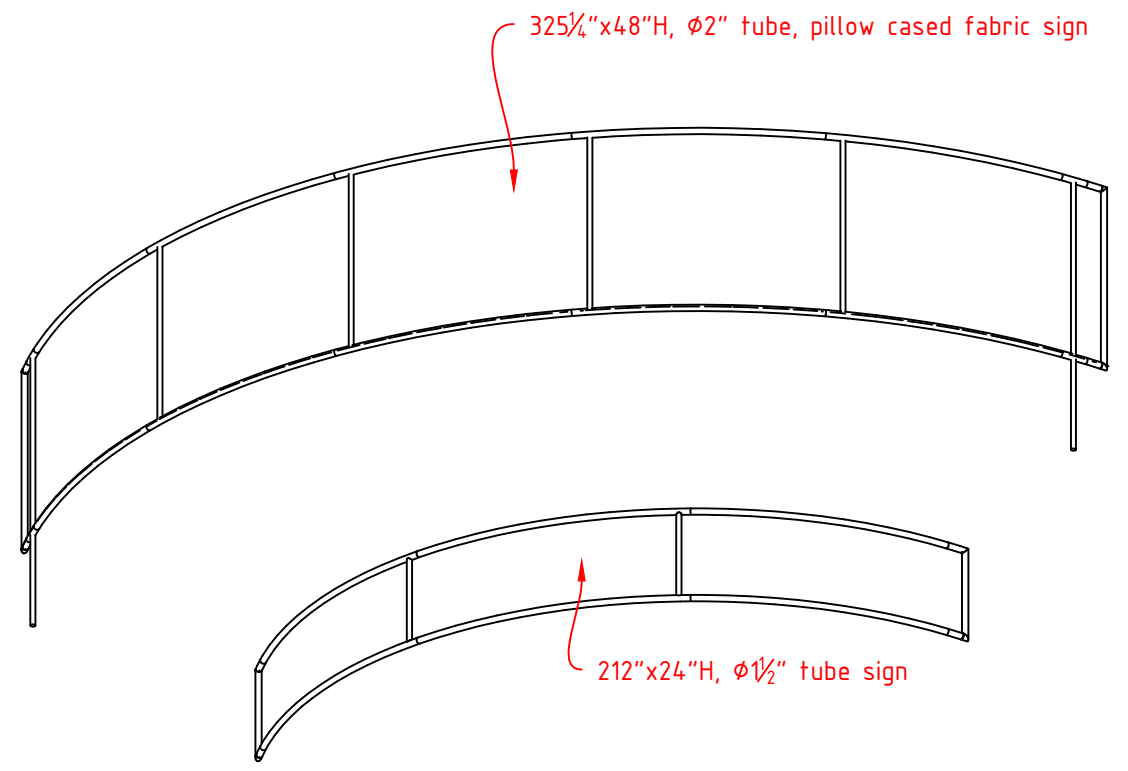
FLOOR PLAN



BIRDS EYE VIEW

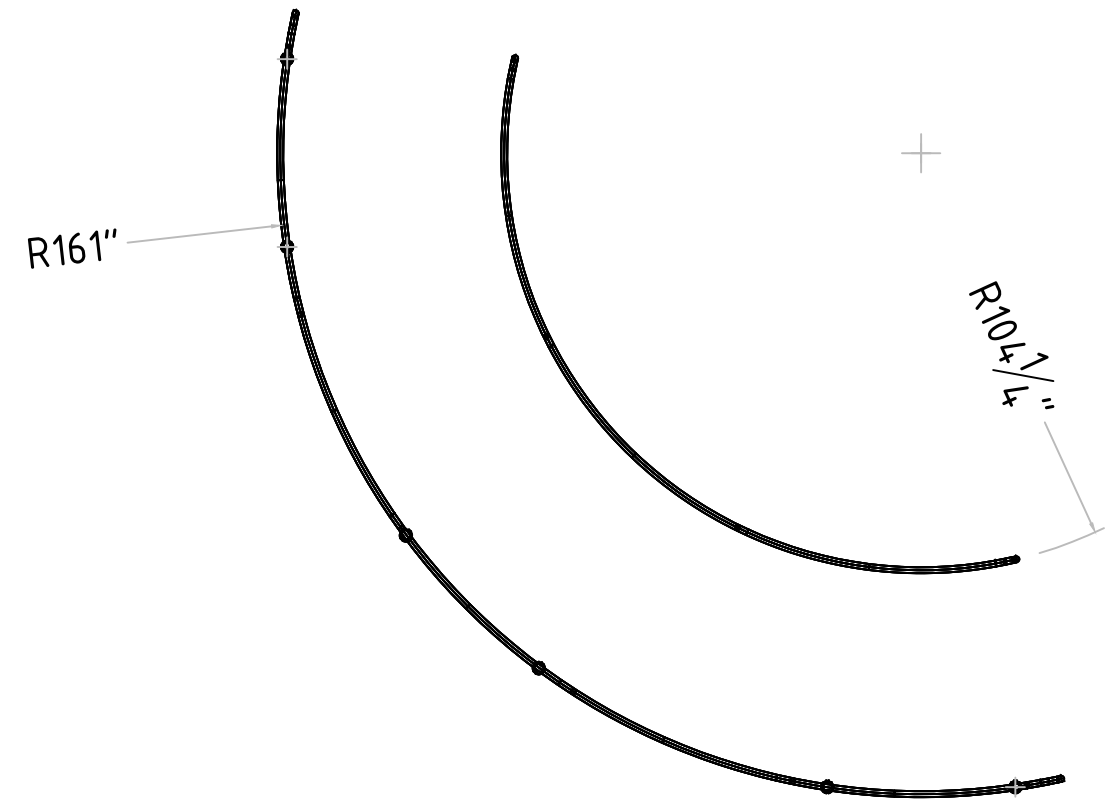


SIGNS

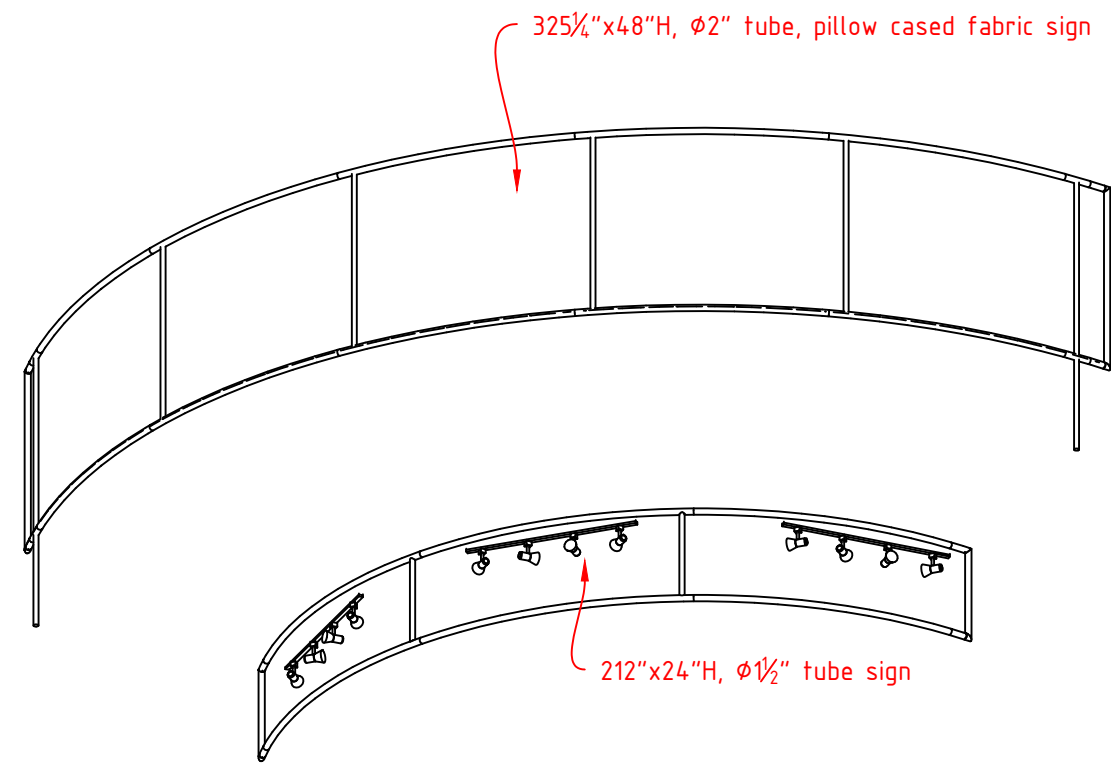
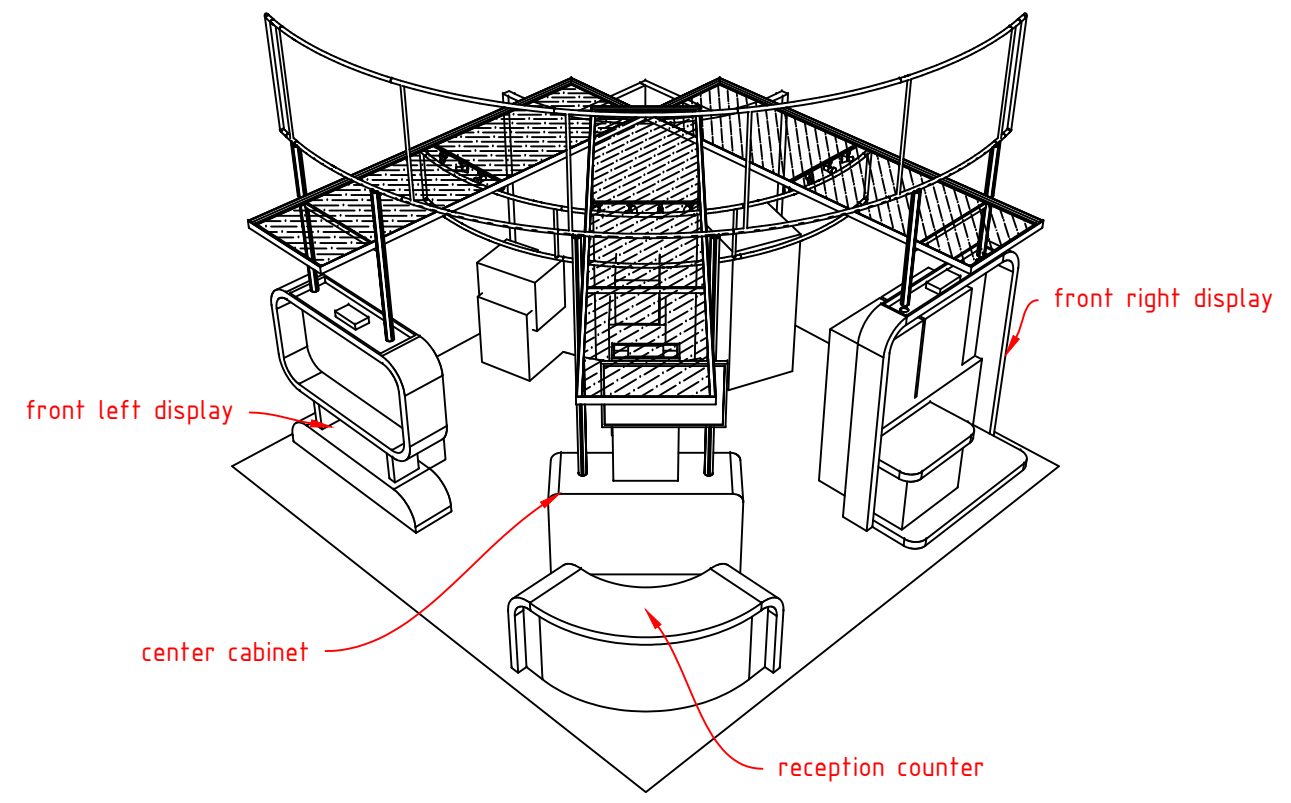


FRONT RIGHT DISPLAY CABINET

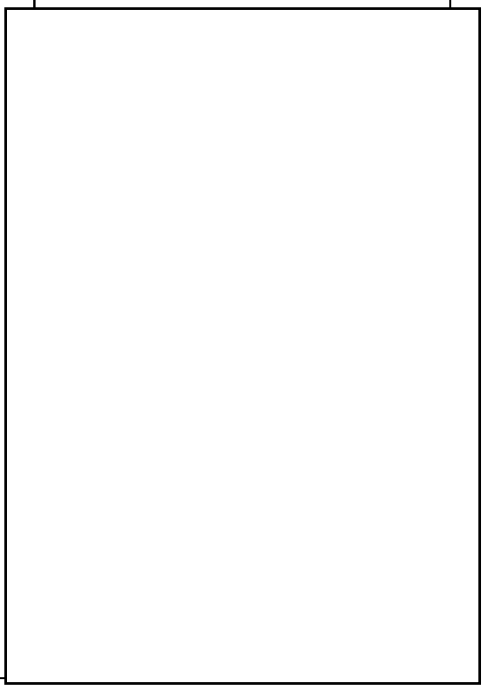
FLOOR PLAN

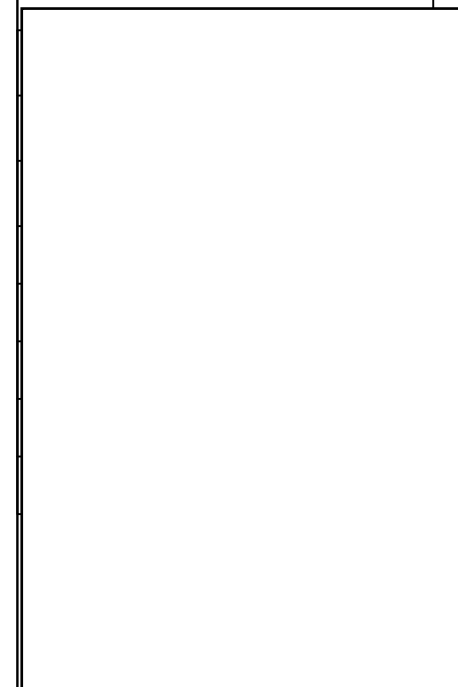
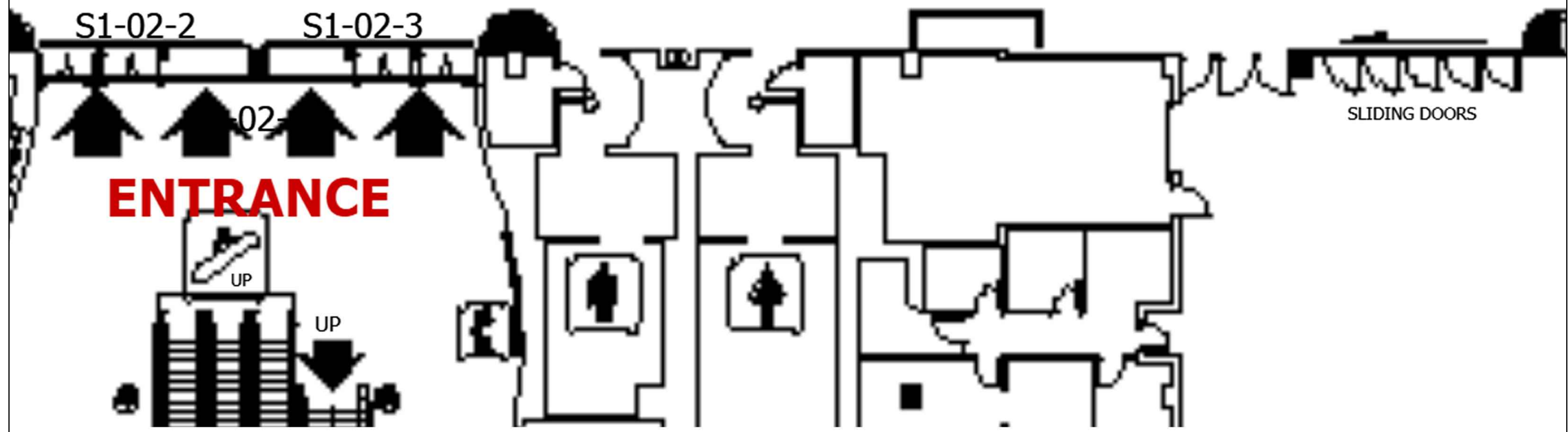
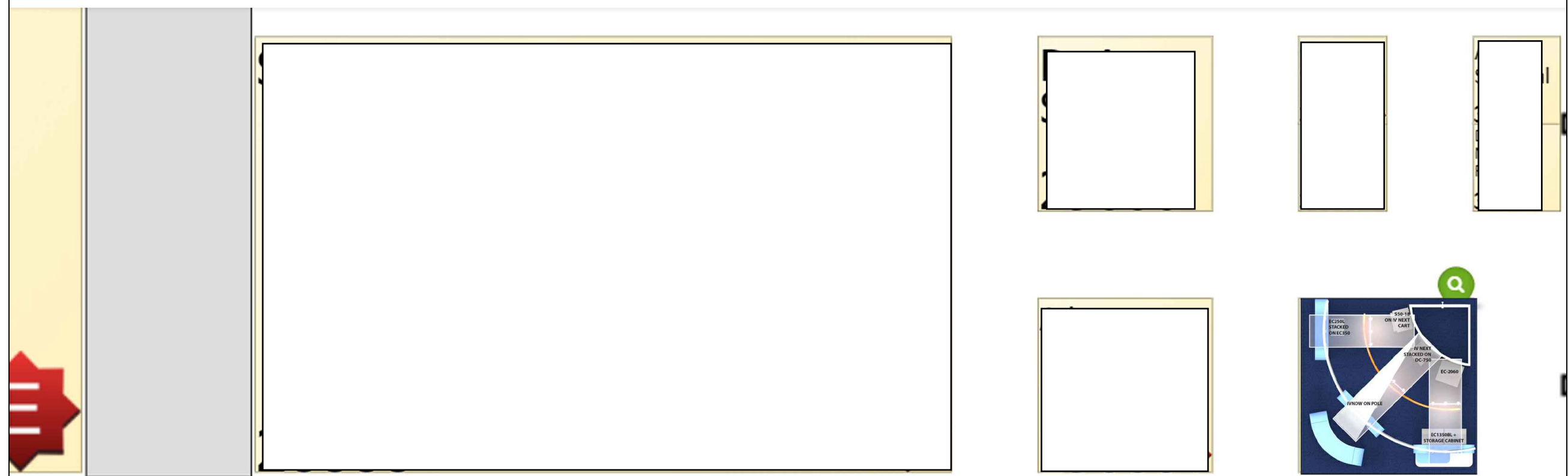


BIRDS EYE VIEW



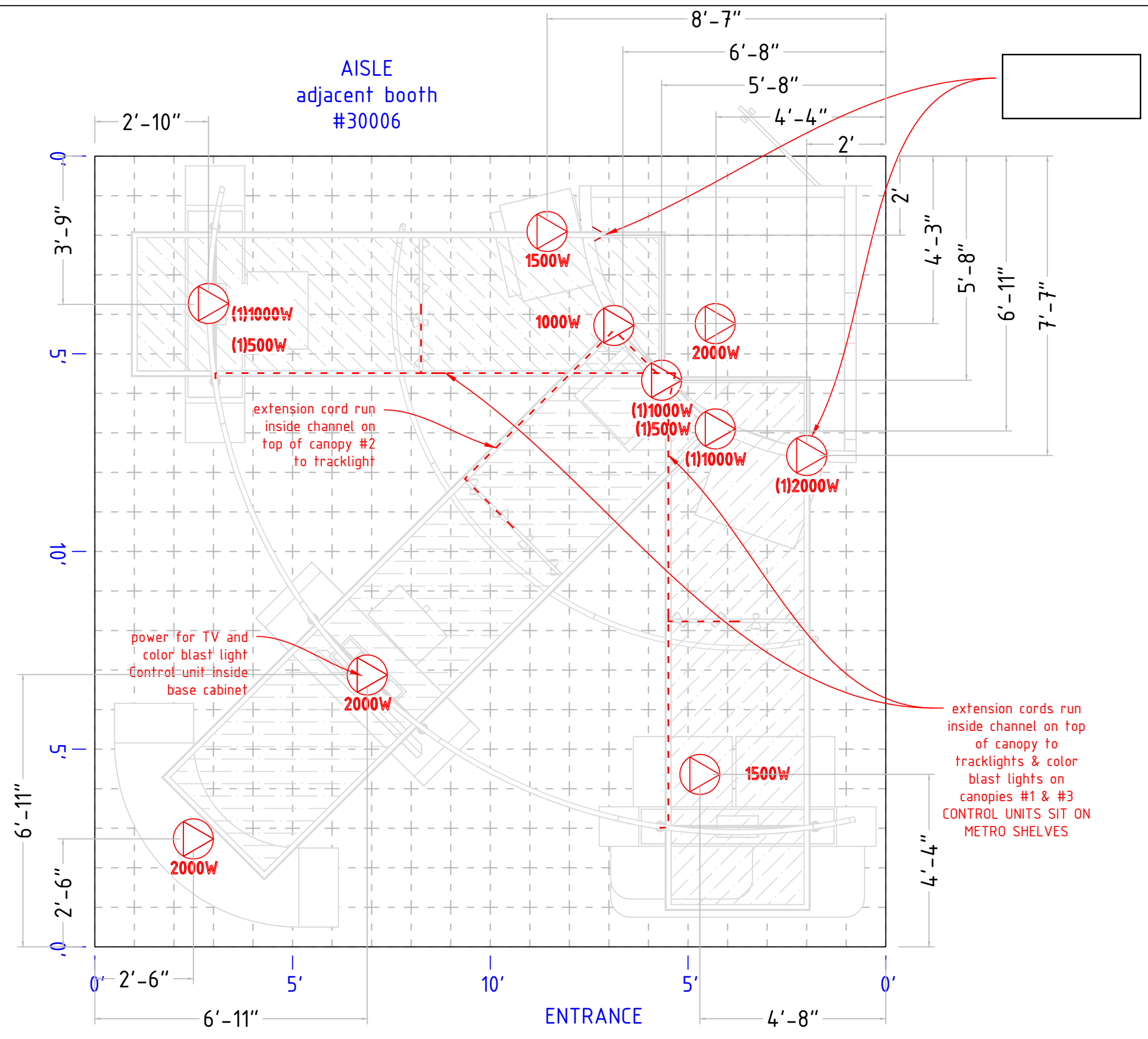
Rev.	Description	By	Date





AISLE adjacent booth #29000

AISLE adjacent booth #30006



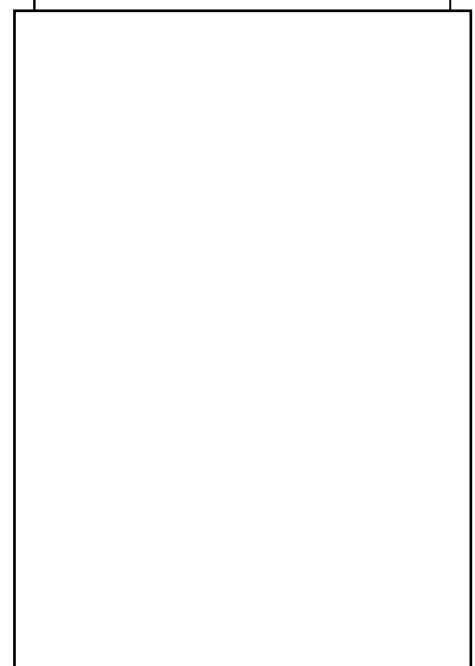
extension cord run inside channel on top of canopy #2 to tracklight

power for TV and color blast light control unit inside base cabinet

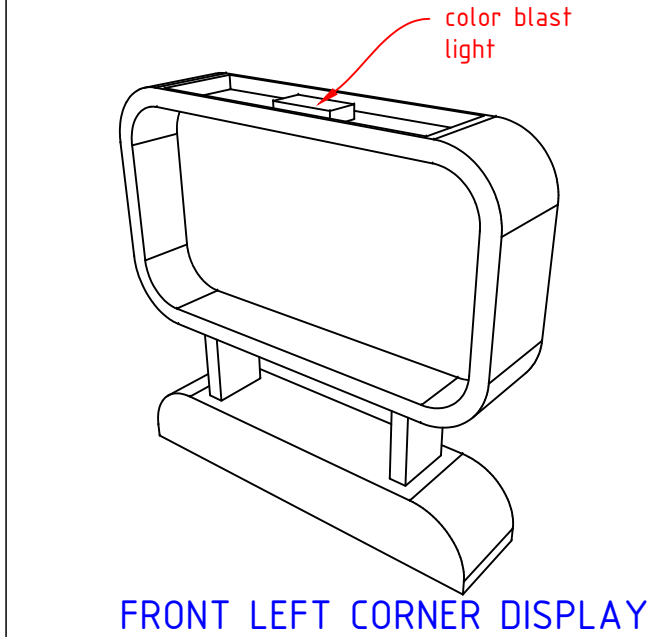
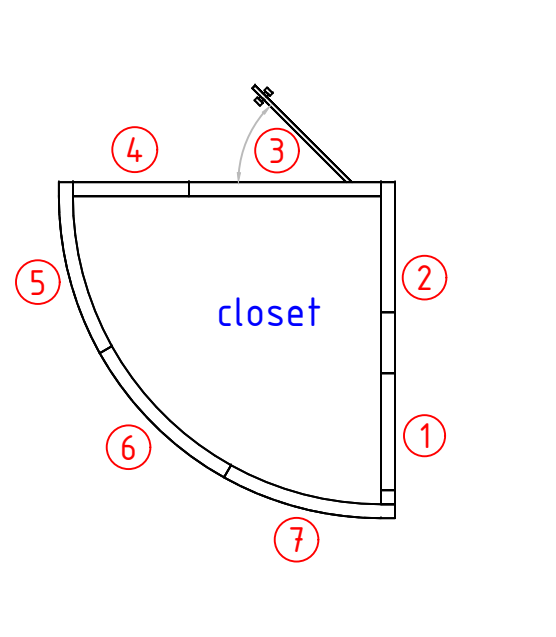
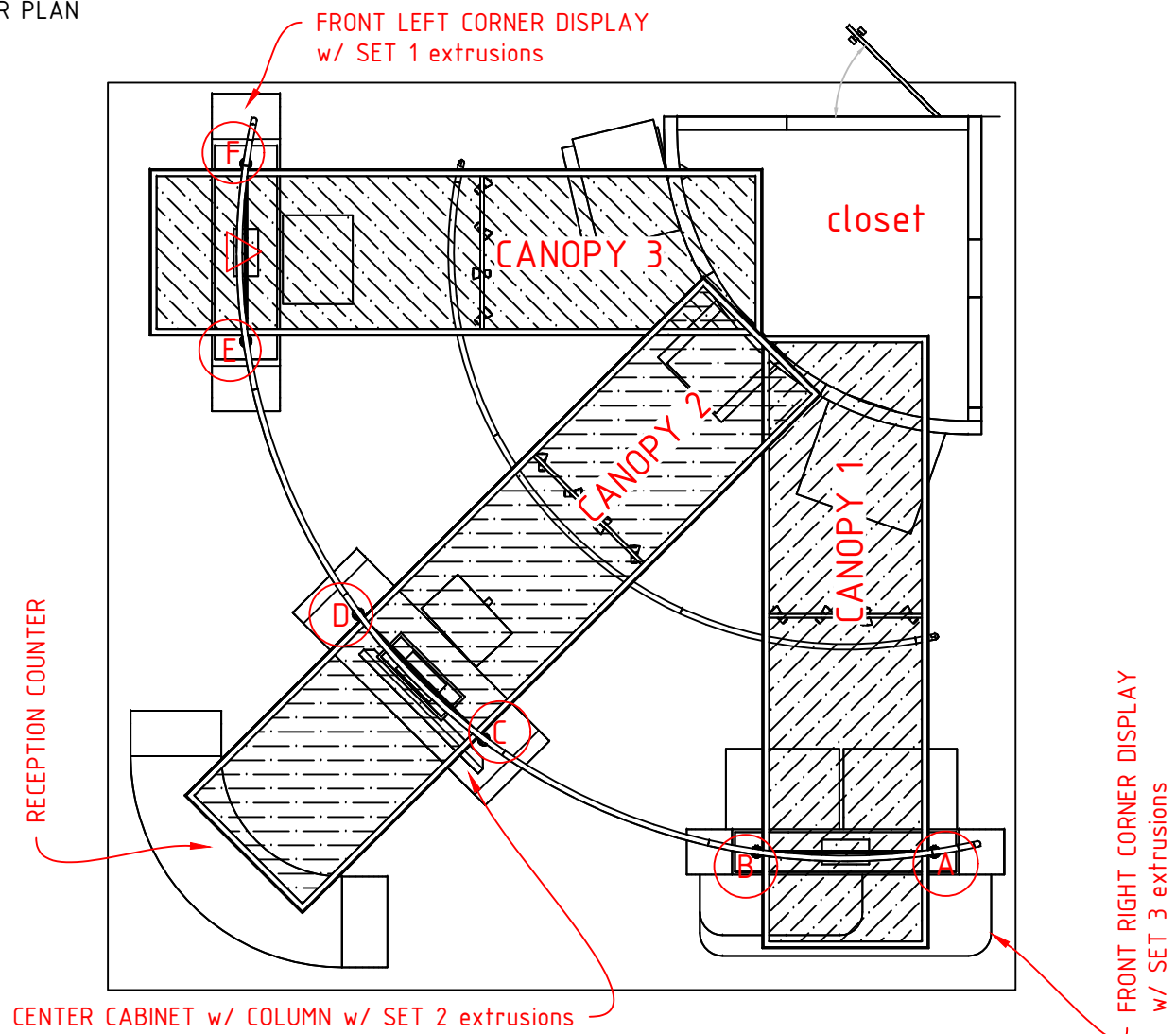
extension cords run inside channel on top of canopy to tracklights & color blast lights on canopies #1 & #3
CONTROL UNITS SIT ON METRO SHELVES

ELECTRICAL:

- (2) 500W
- (4) 1000W
- (2) 1500W
- (4) 2000W



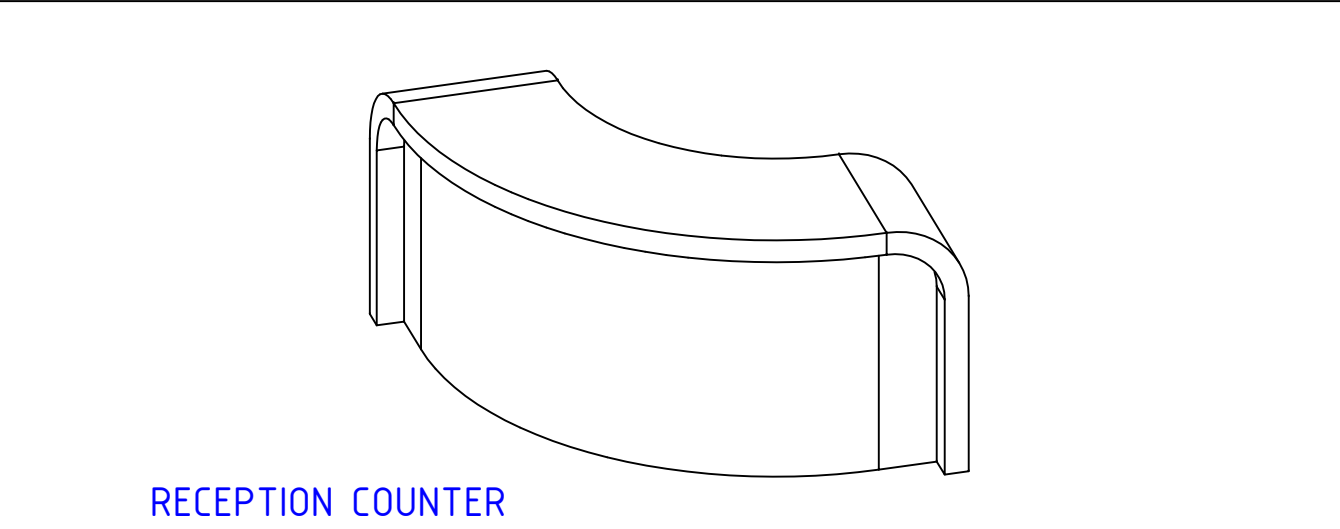
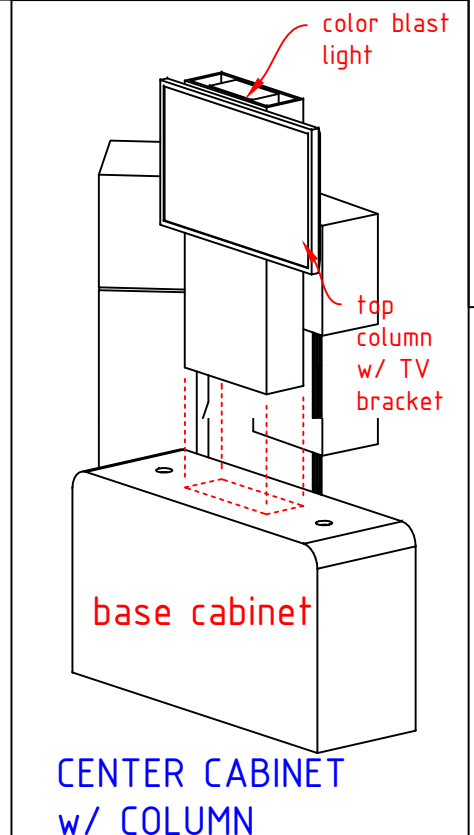
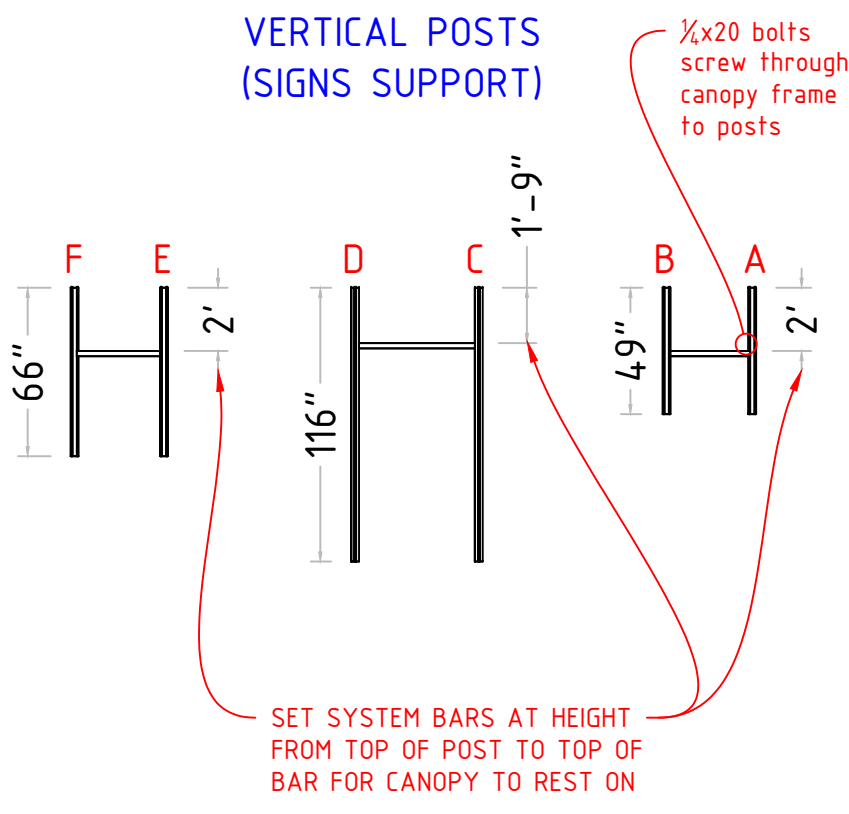
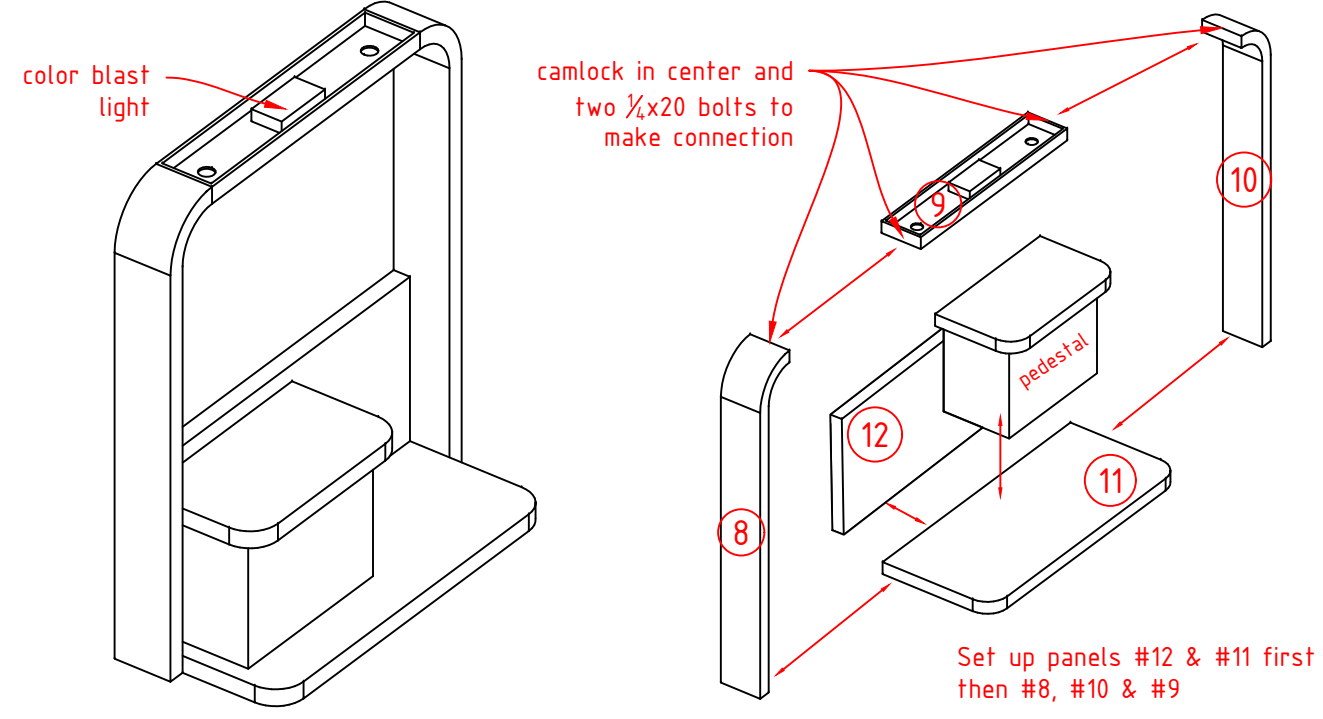
FLOOR PLAN

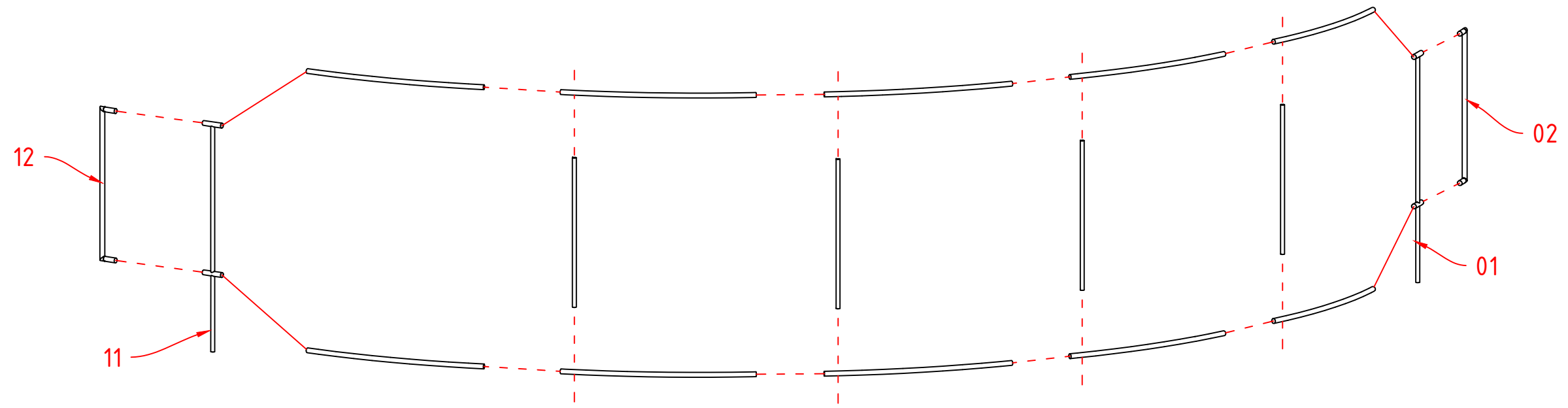
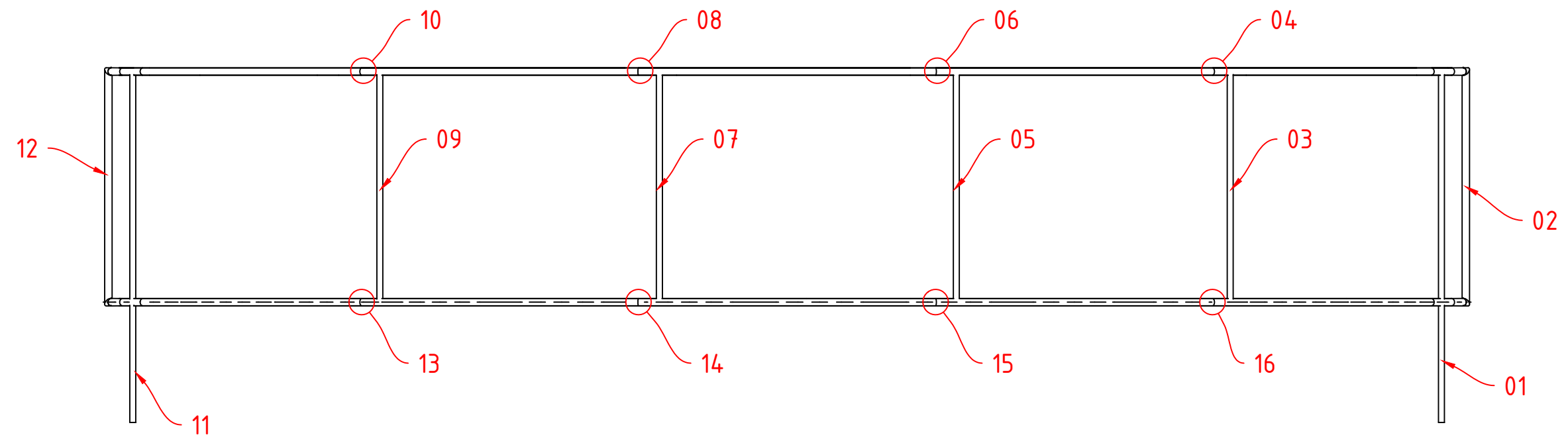


Rev.	Description	By	Date

NOTES:
Canopy labels are on top of frame canopy

FRONT RIGHT CORNER DISPLAY



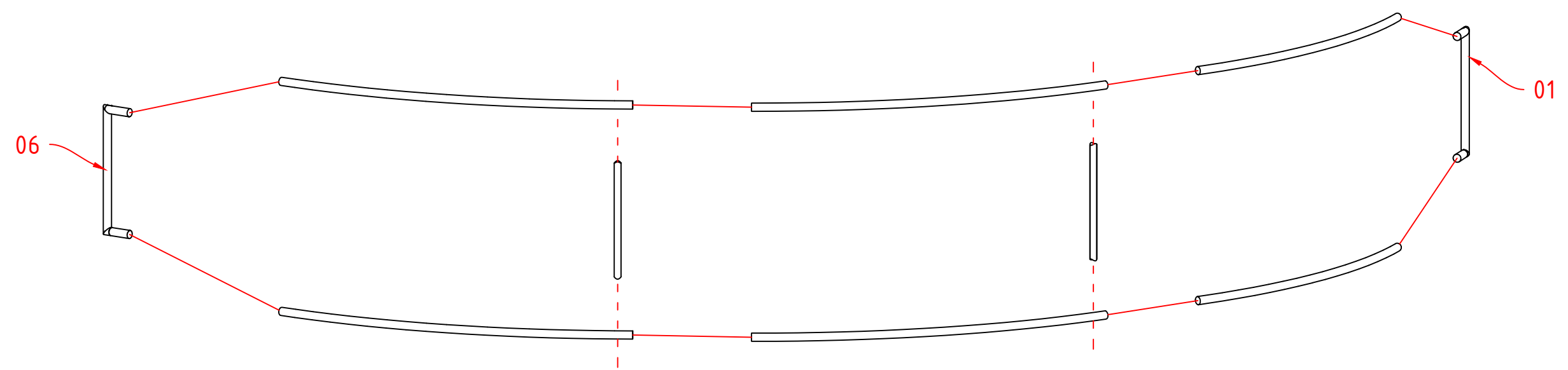
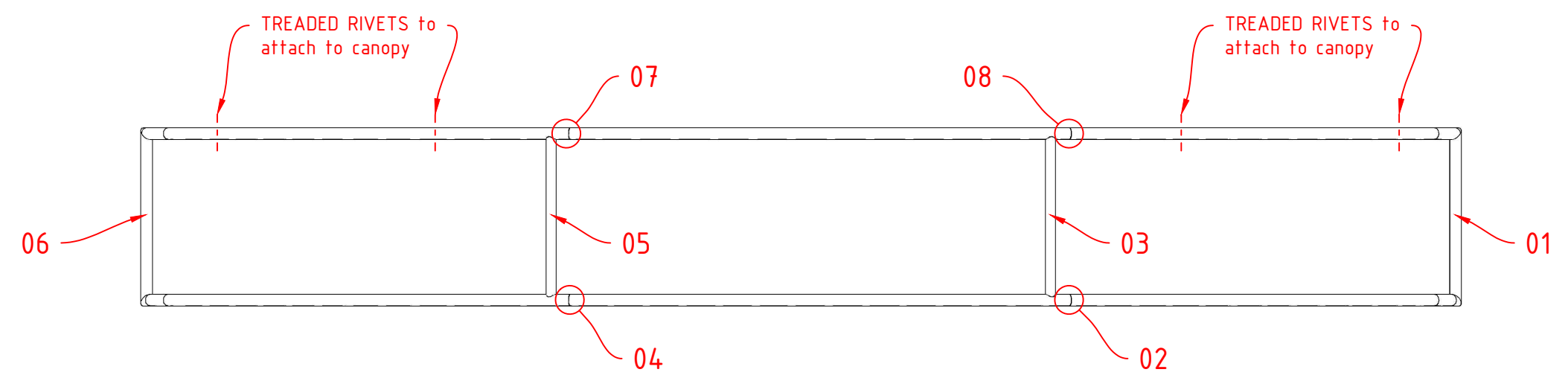


EXPLODED VIEW

WASH HANDS BEFORE TOUCHING FABRIC
 Fabric is very easy to soil.
 Make sure you have a **CLEAN** place to open fabric
(Any dirt will adhere like glue)



- ASSEMBLE FRAME AS SHOWN**
1. Using provided tools and bolts, assemble the frame by connecting item ends with the same number, i.e. A1 connects to A1
 2. Make sure that you have clean hands and a clean work area. Wash hands after handling metal parts and before touching fabric.
 3. Pull fabric over the tubing frame and secure along the zipper edge.
 4. Check that the fabric cover is straight and tension is even across the fabric face, front and back.
 5. Tensioned fabric sign is complete and ready for installation



EXPLODED VIEW

WASH HANDS BEFORE TOUCHING FABRIC

Fabric is very easy to soil.
 Make sure you have a **CLEAN** place to open fabric
 (Any dirt will adhere like glue)



ASSEMBLE FRAME AS SHOWN

1. Using provided tools and bolts, assemble the frame by connecting item ends with the same number, i.e. A1 connects to A1
2. Make sure that you have clean hands and a clean work area. Wash hands after handling metal parts and before touching fabric.
3. Pull fabric over the tubing frame and secure along the zipper edge.
4. Check that the fabric cover is straight and tension is even across the fabric face, front and back.
5. Tensioned fabric sign is complete and ready for installation