

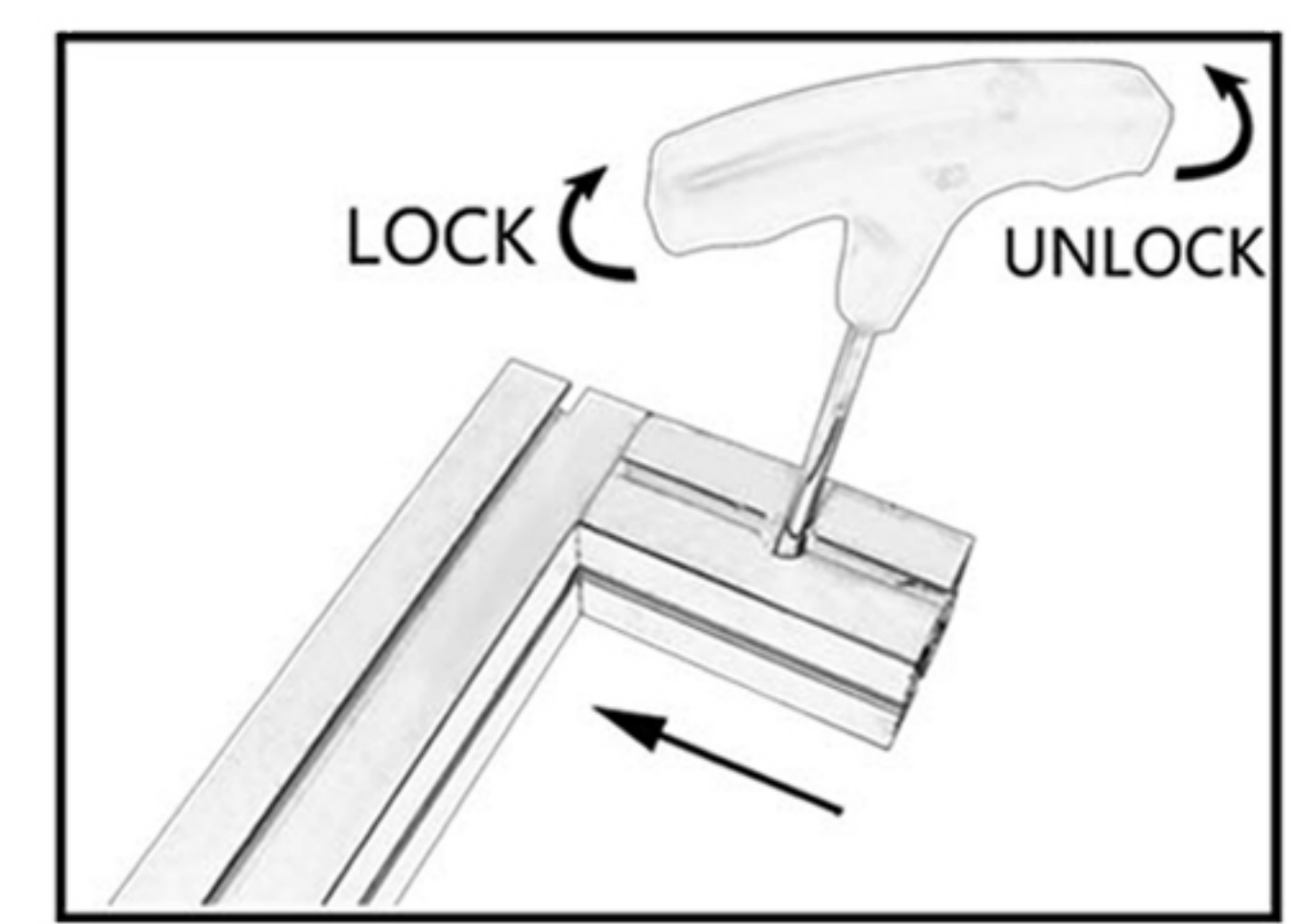
tawns®

one set

A17

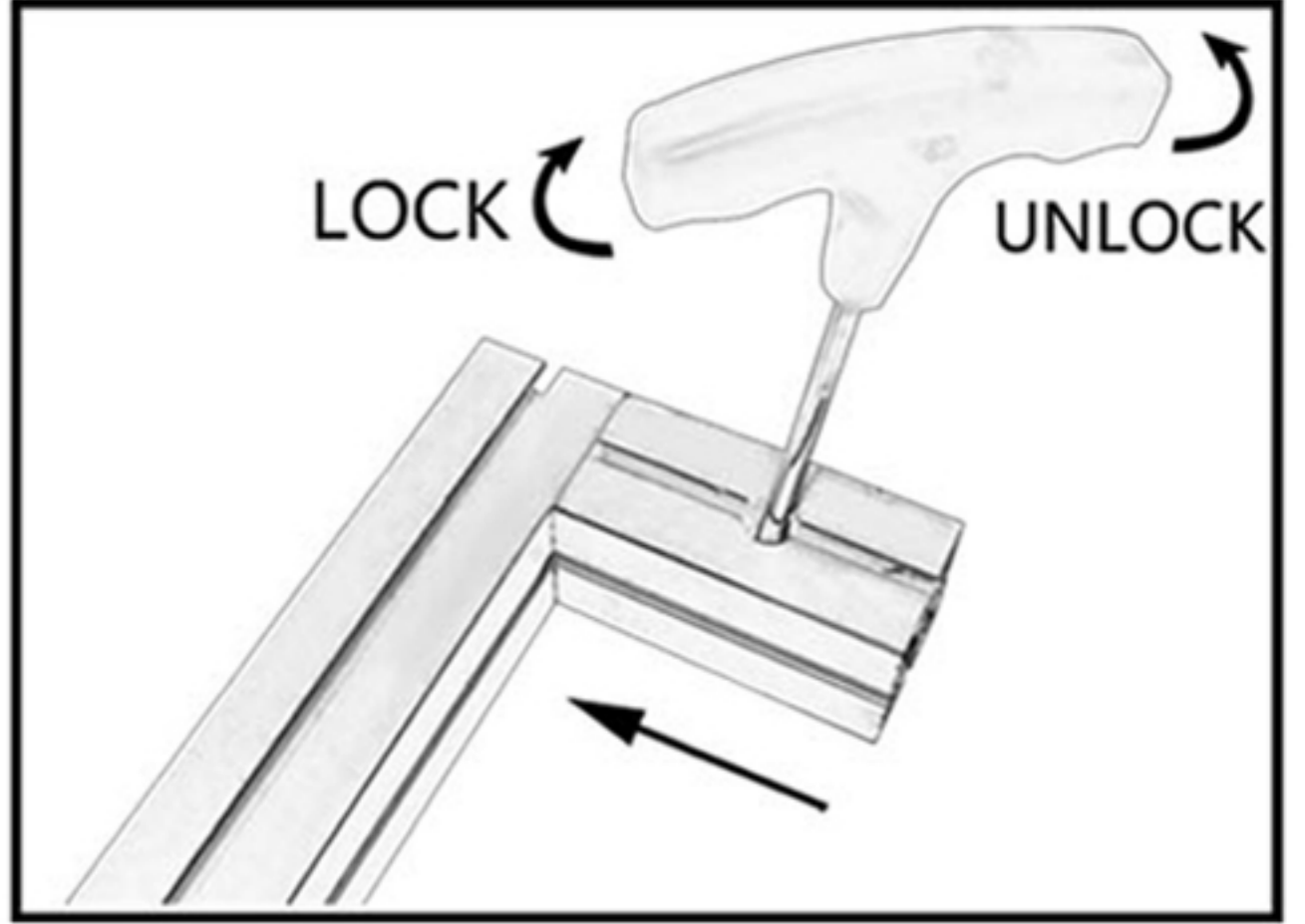
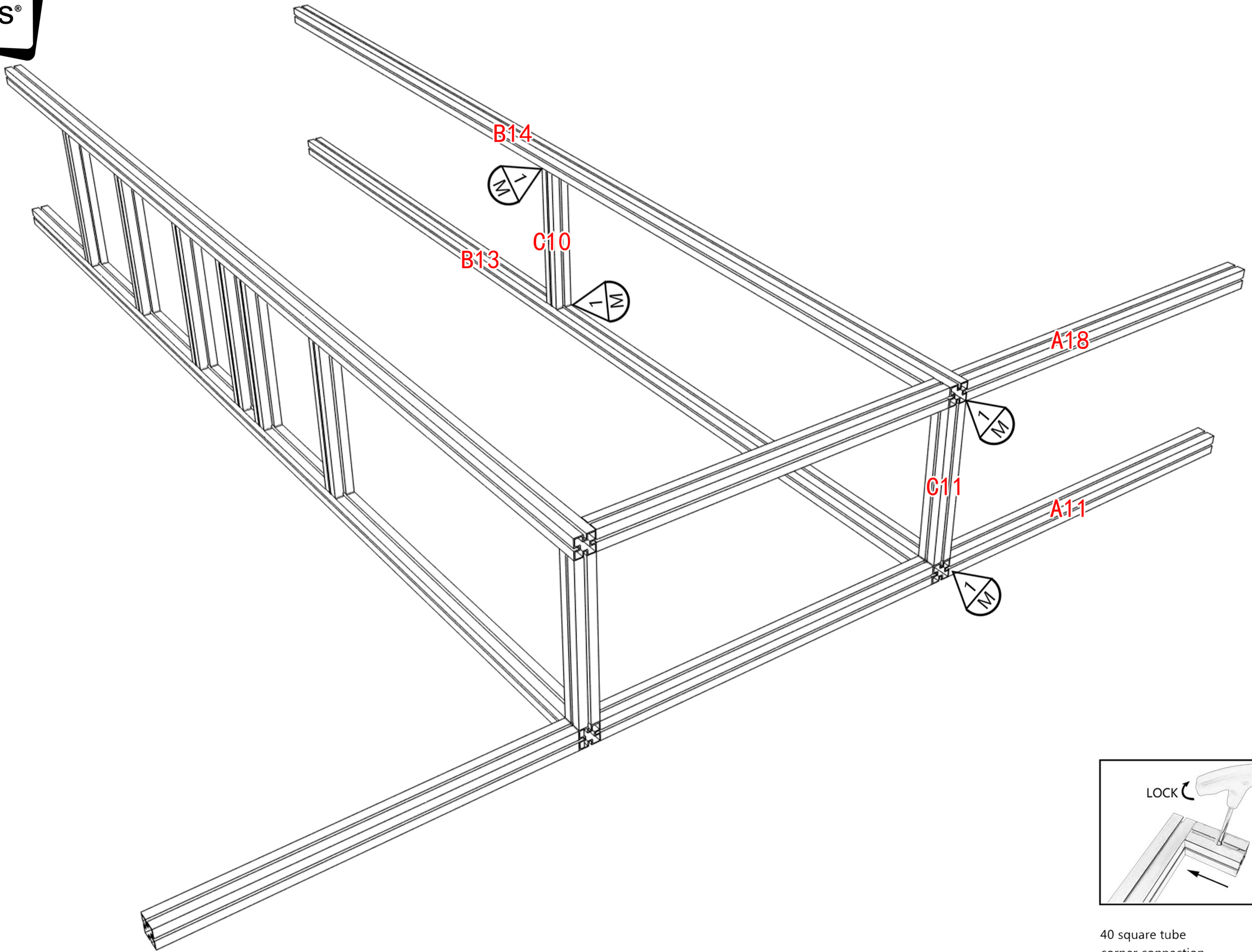
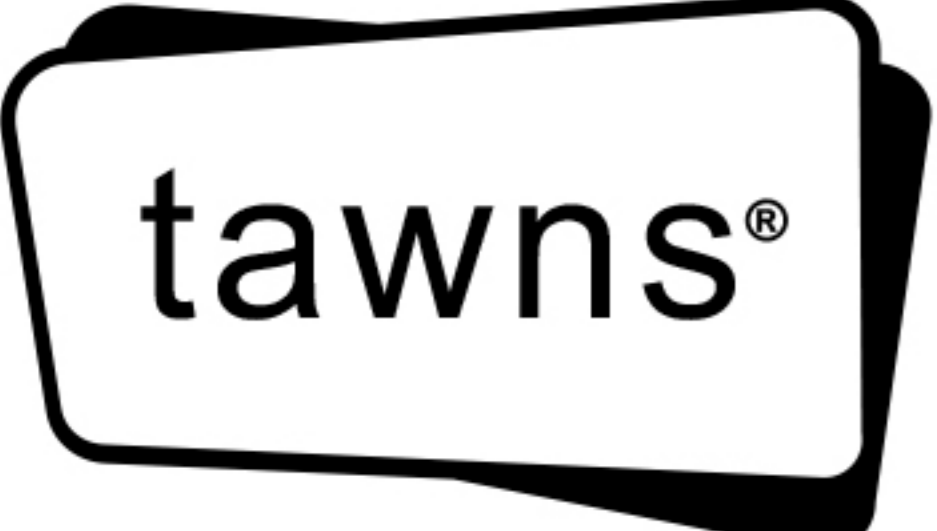
A10

A9



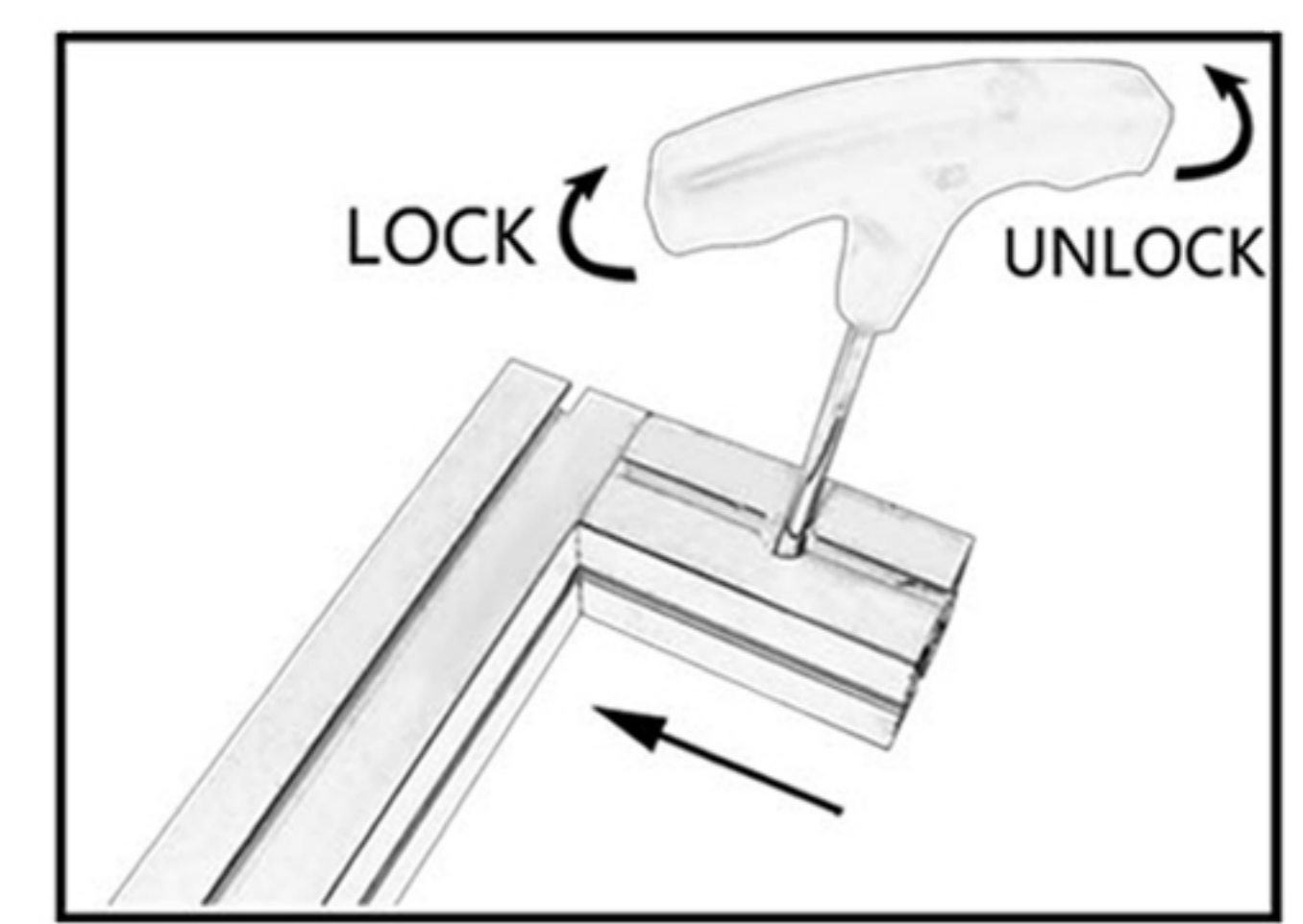
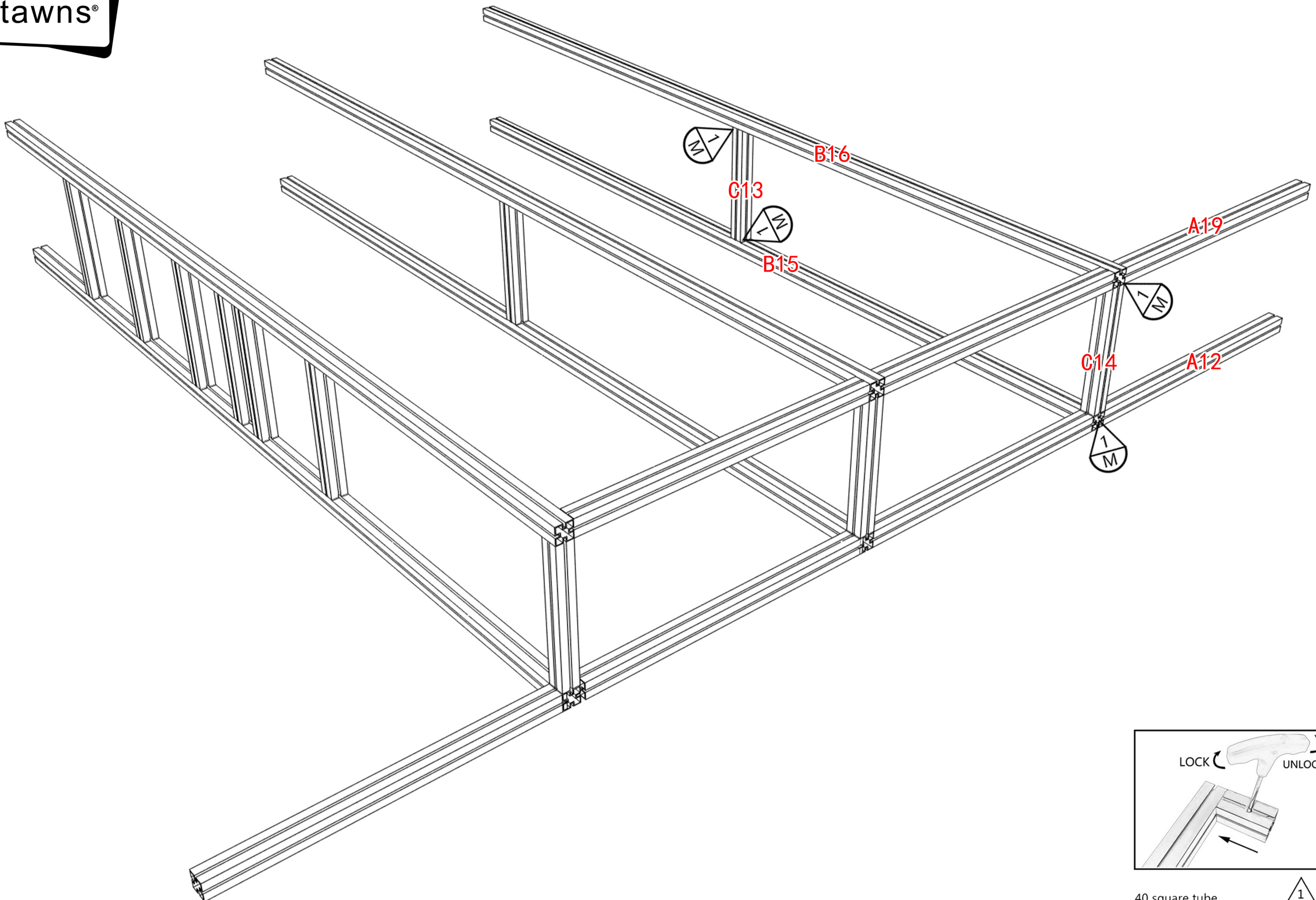
40 square tube  
corner connection





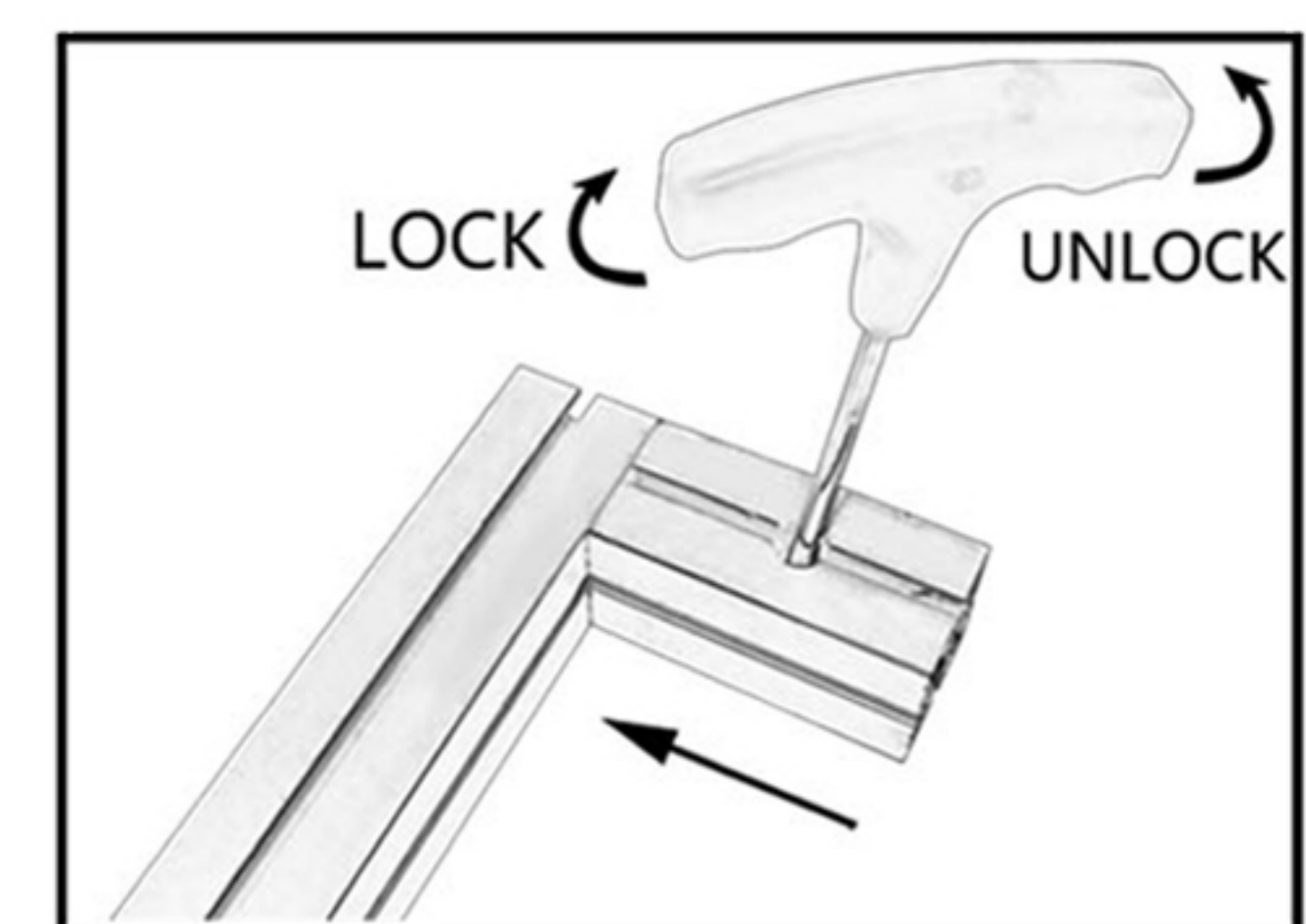
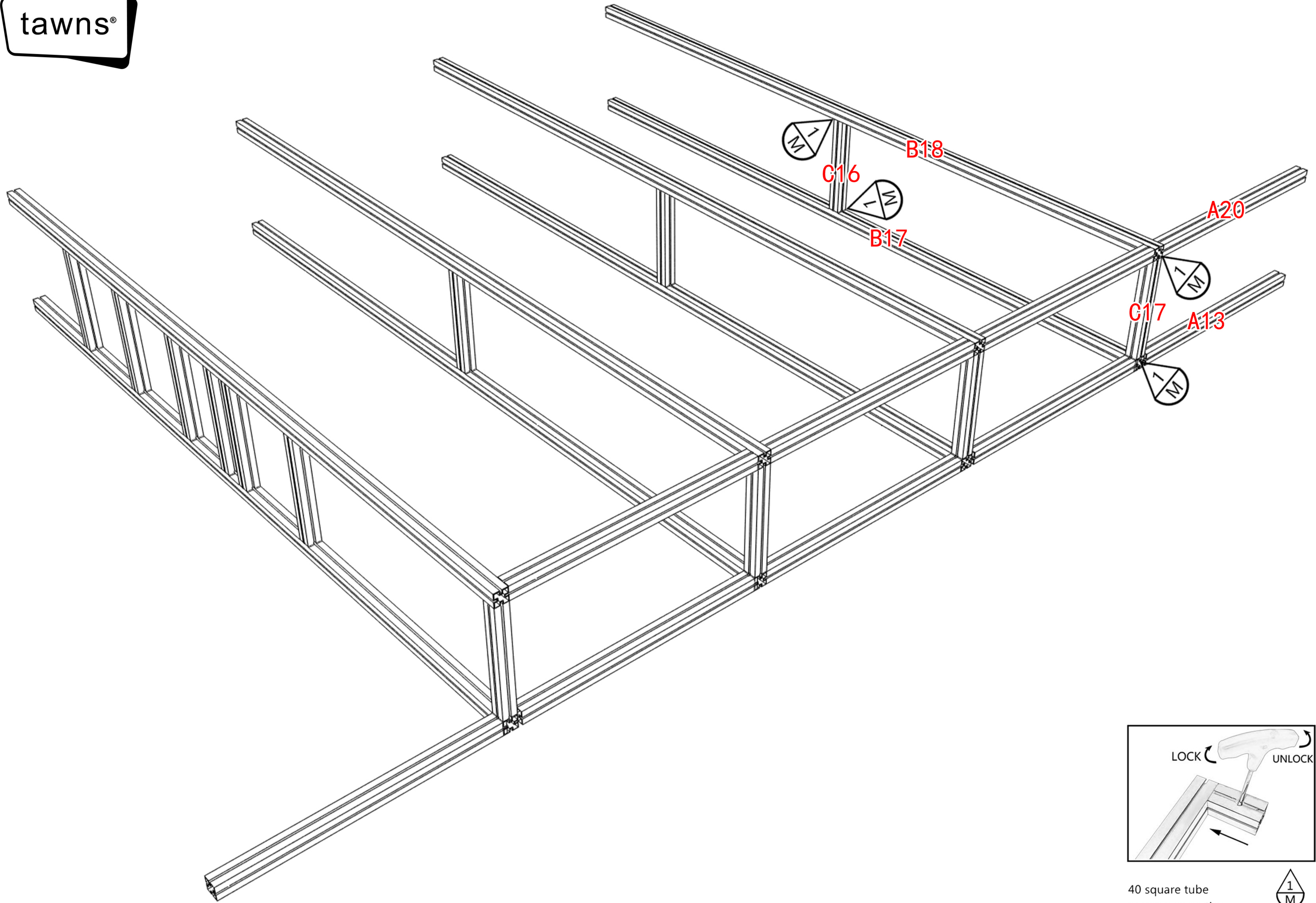
40 square tube corner connection





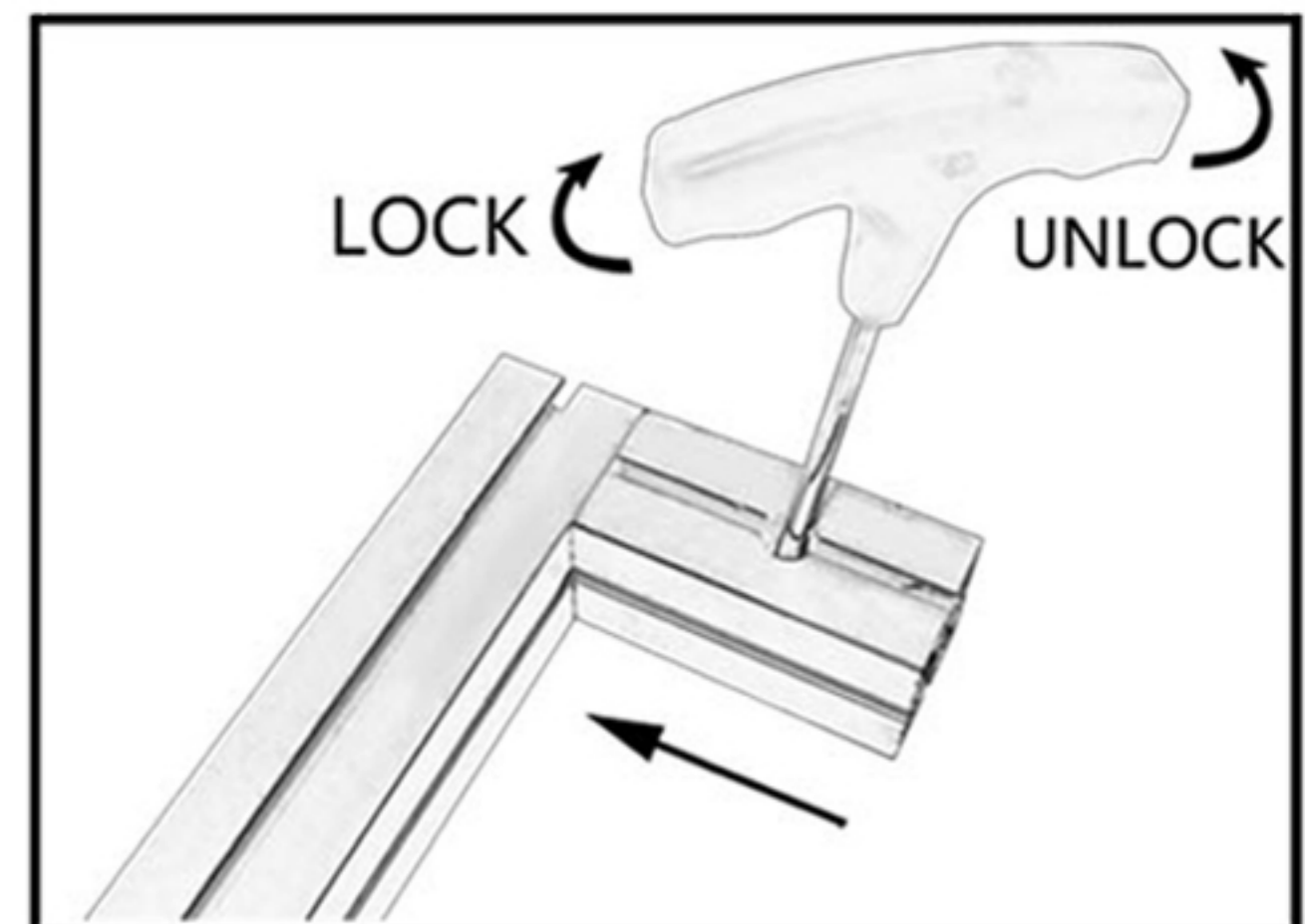
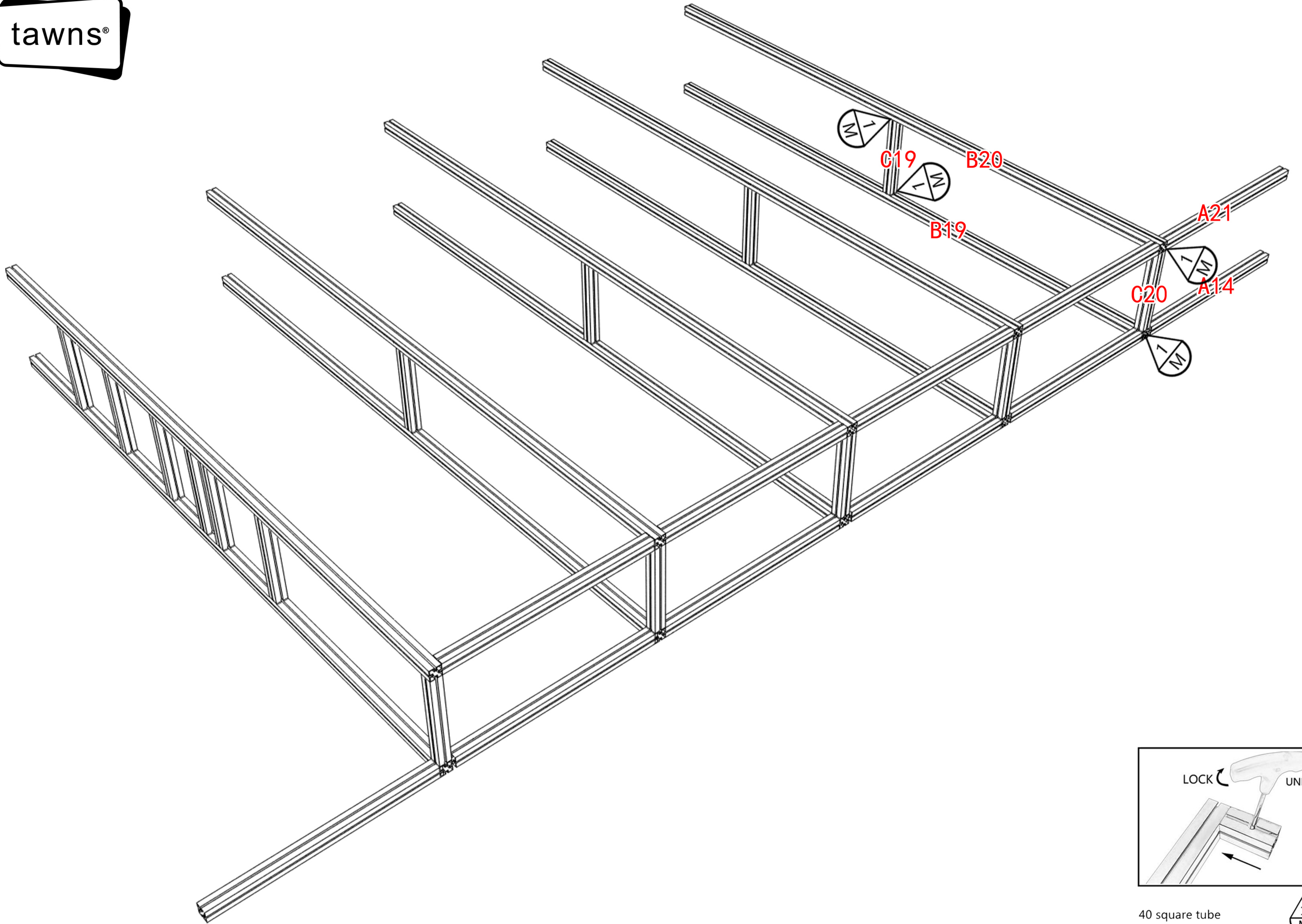
40 square tube corner connection





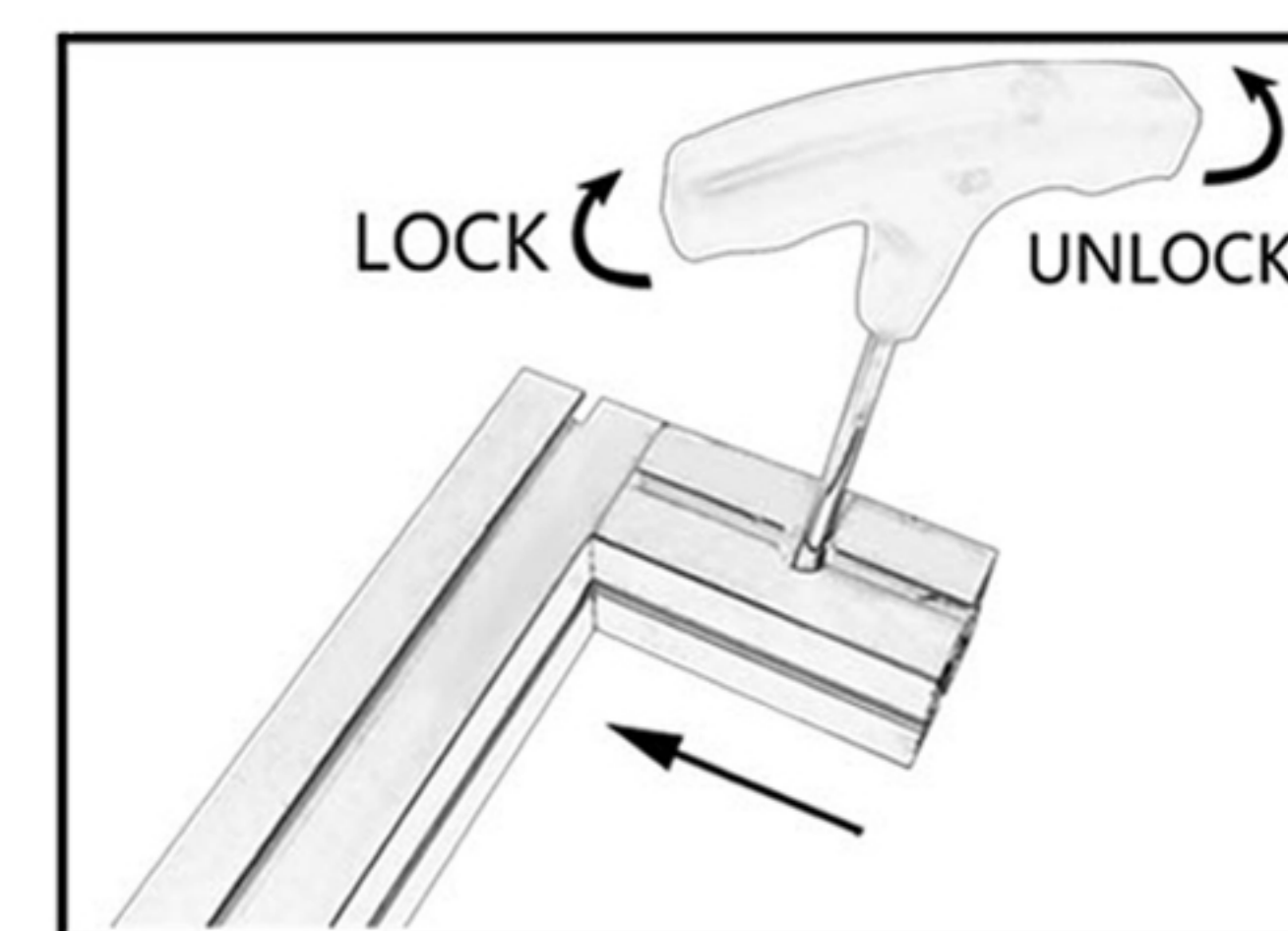
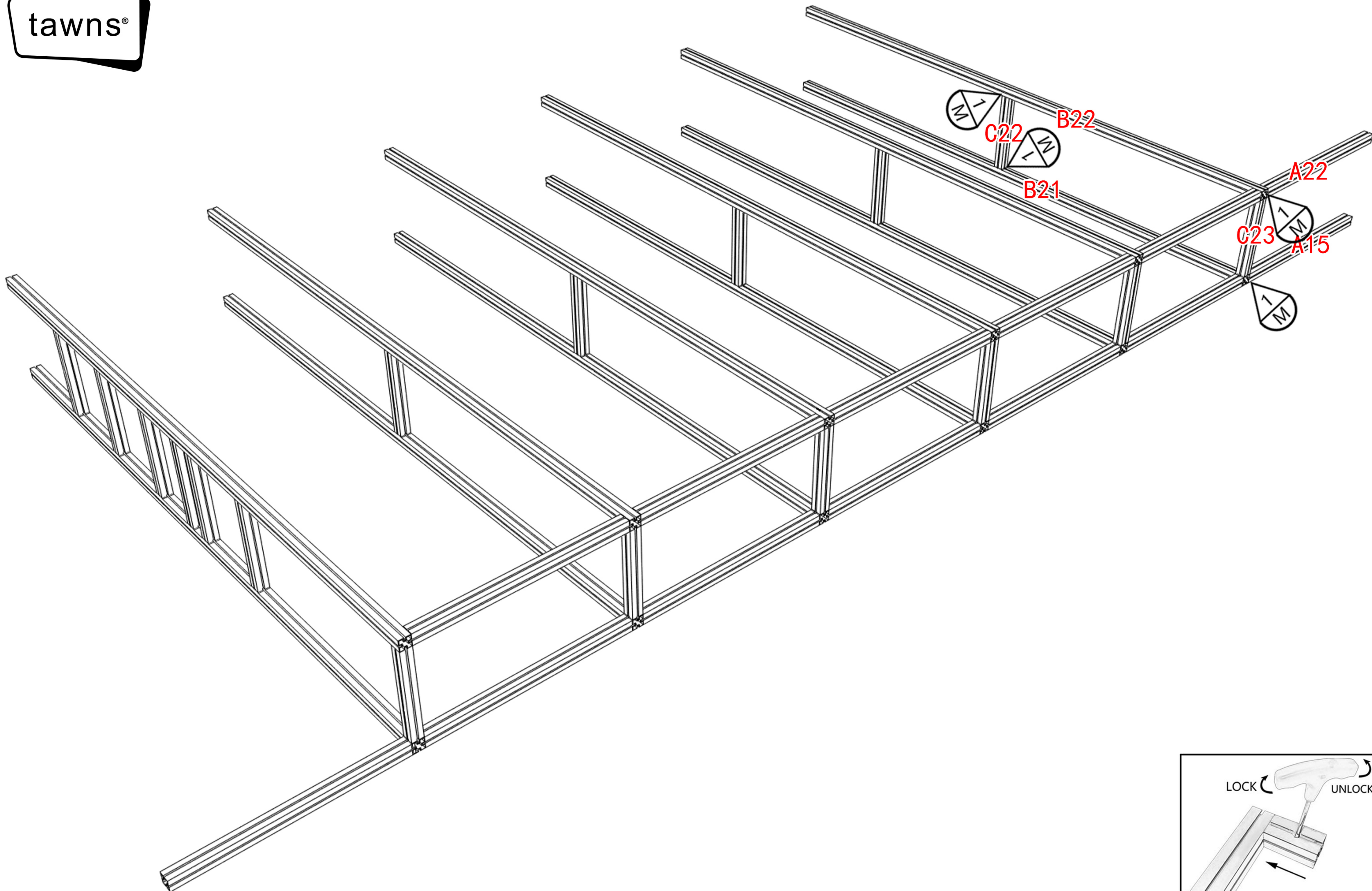
40 square tube corner connection





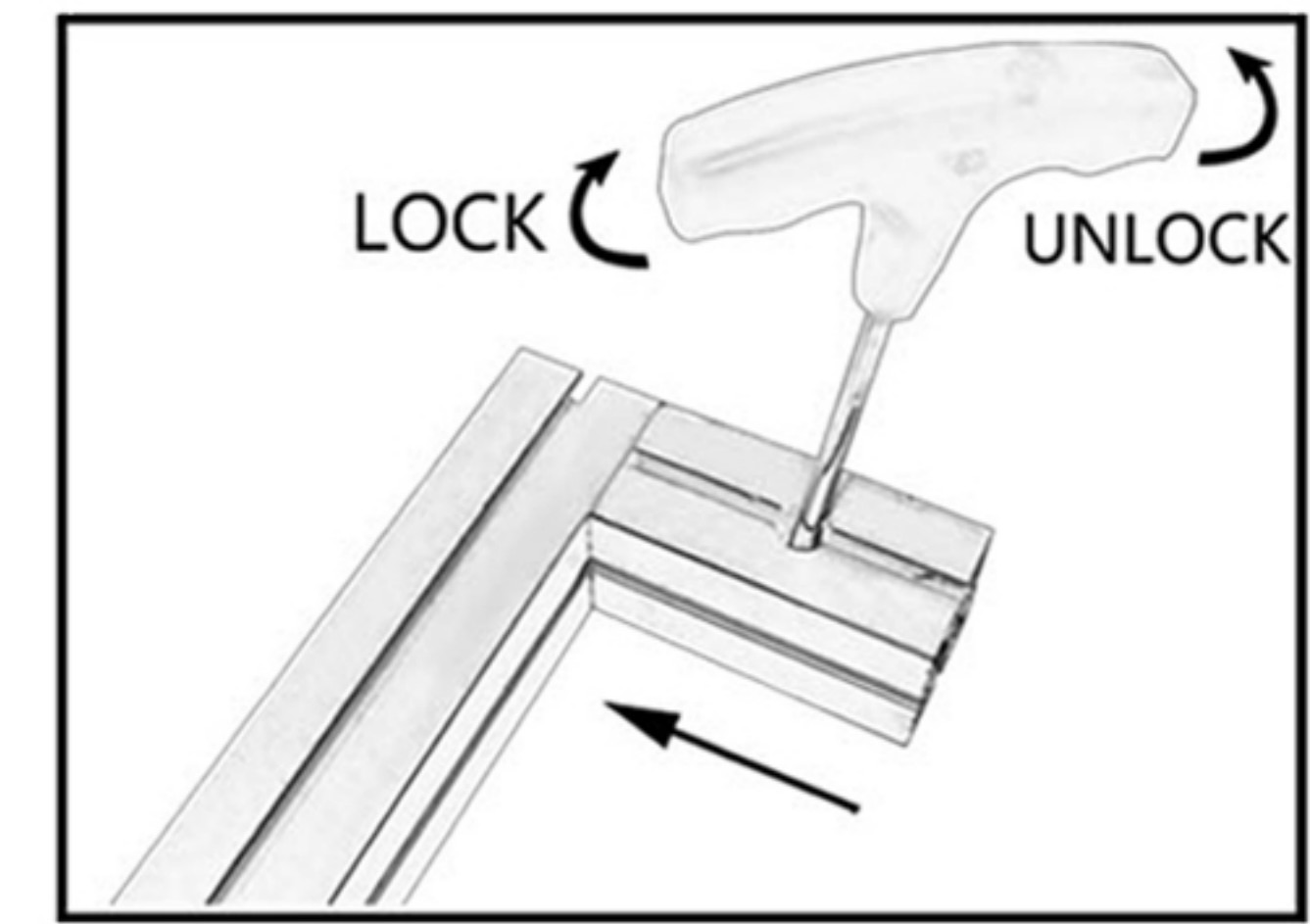
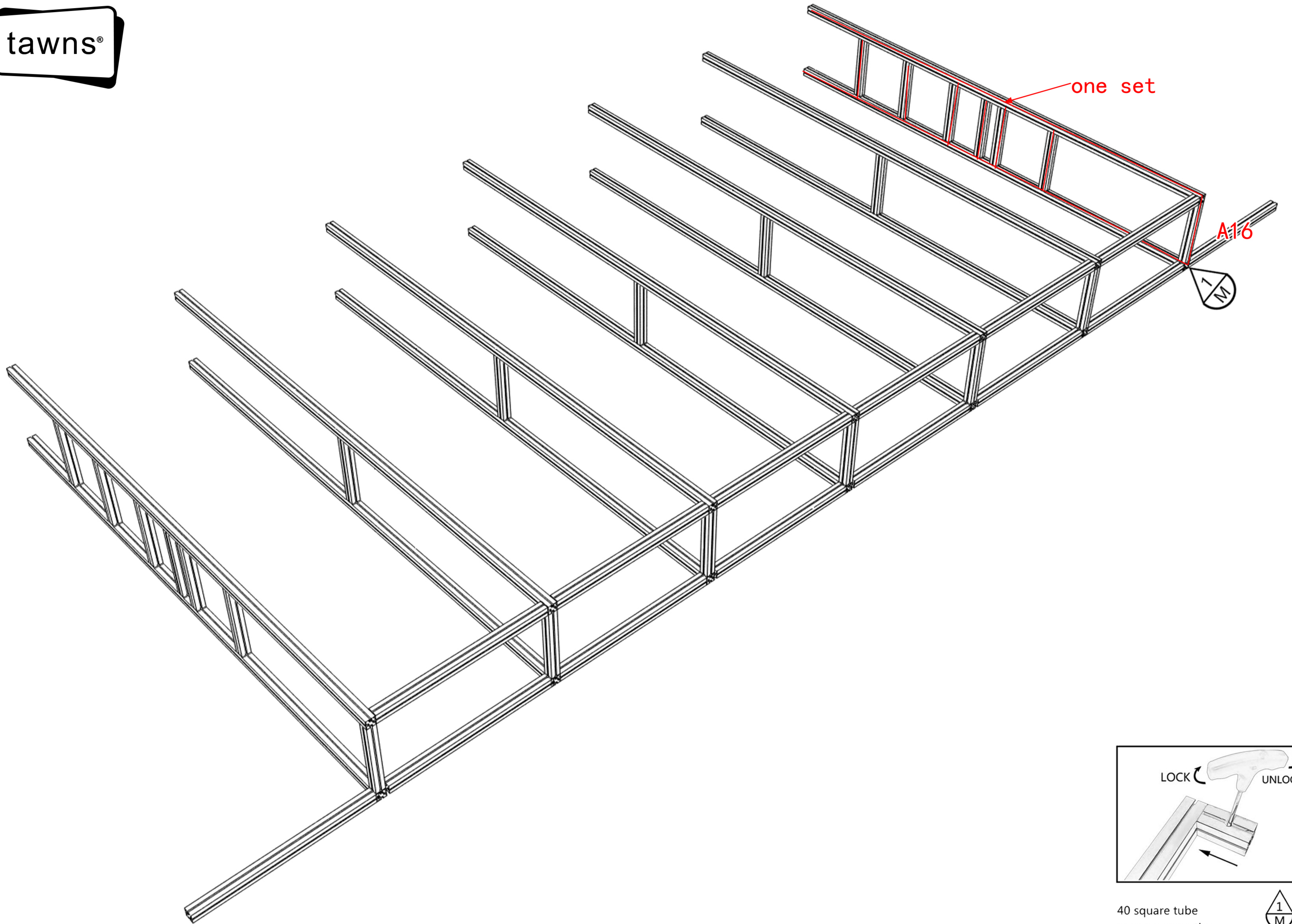
40 square tube corner connection





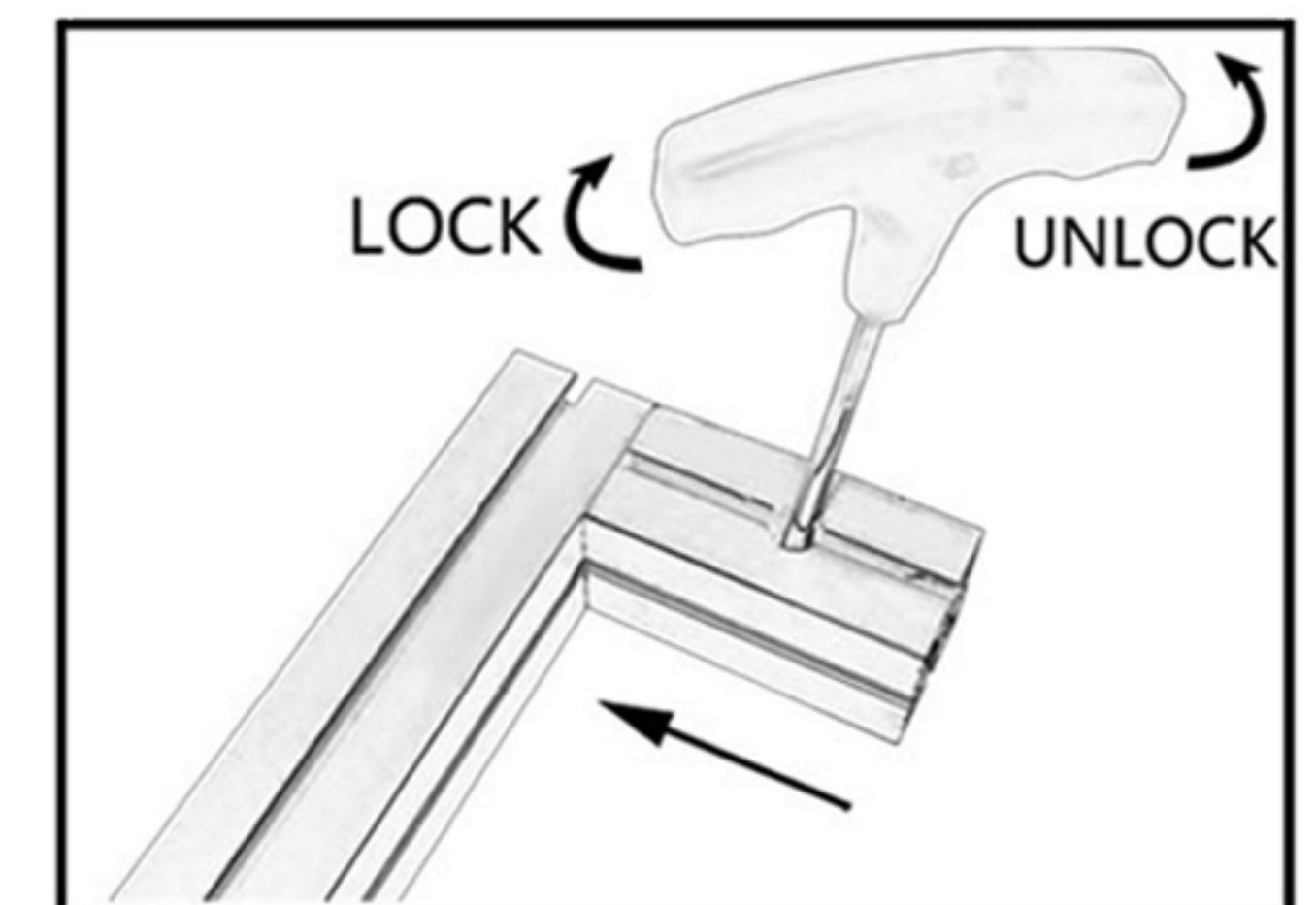
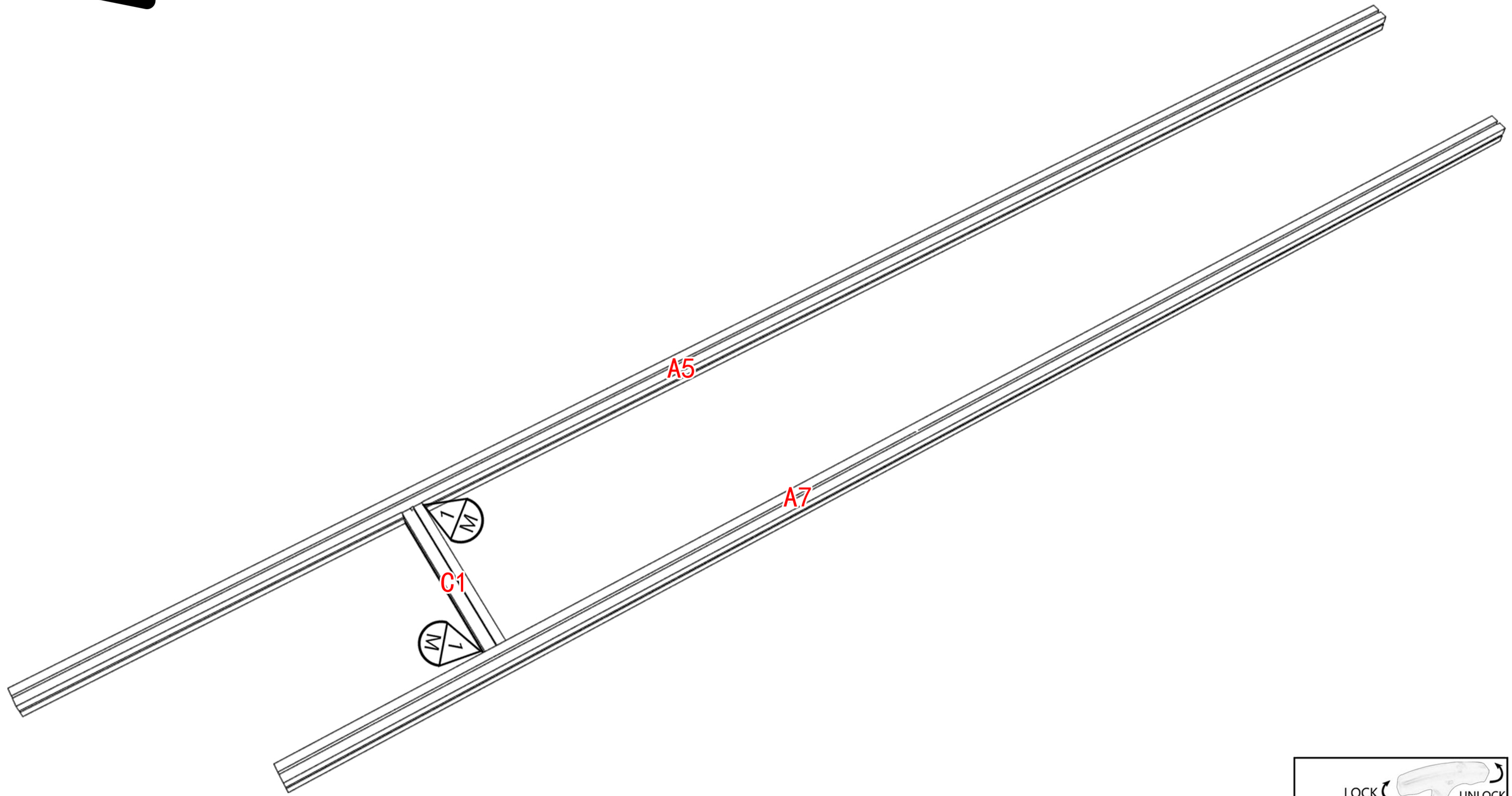
40 square tube corner connection





40 square tube corner connection

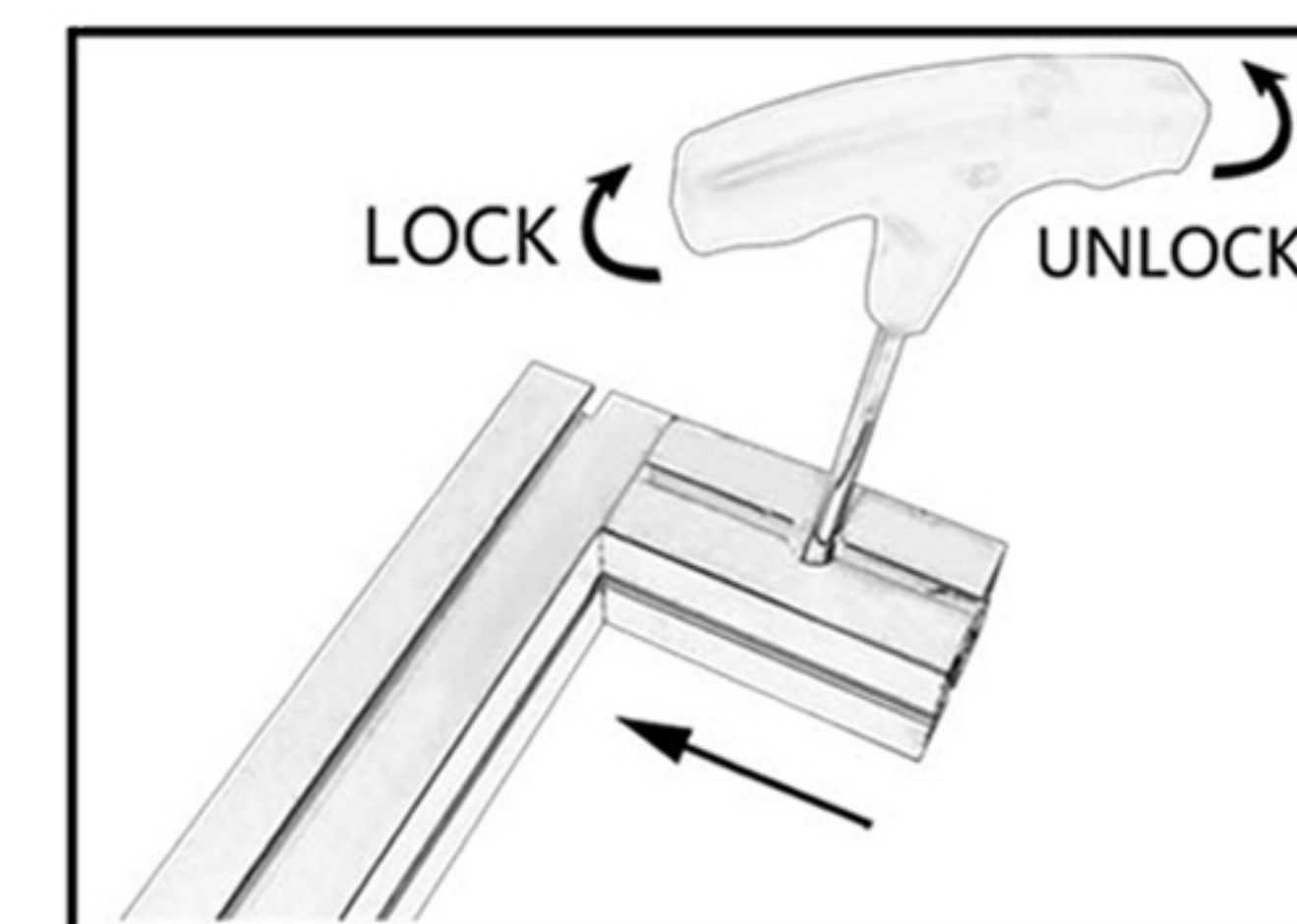
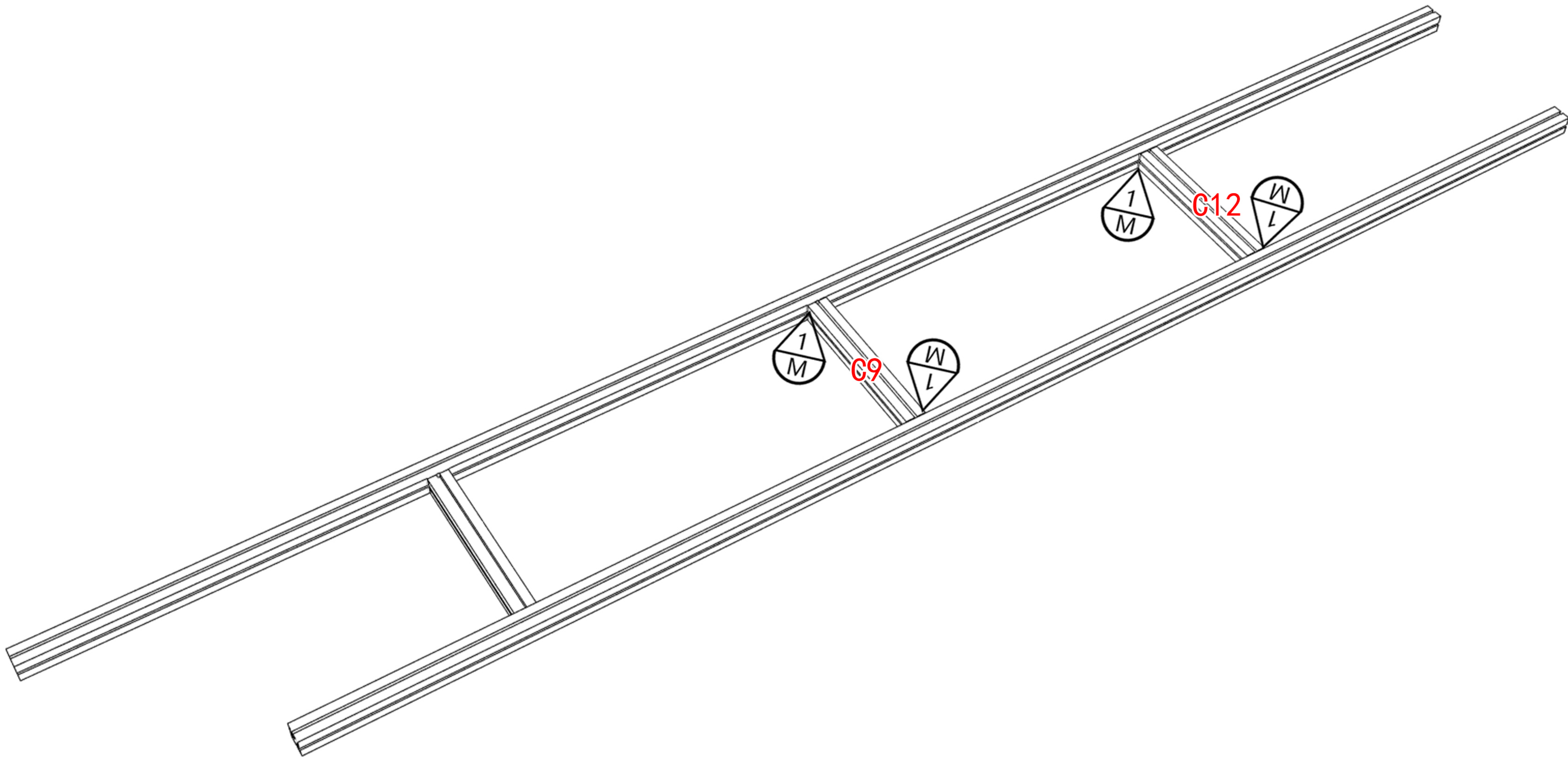




40 square tube  
corner connection

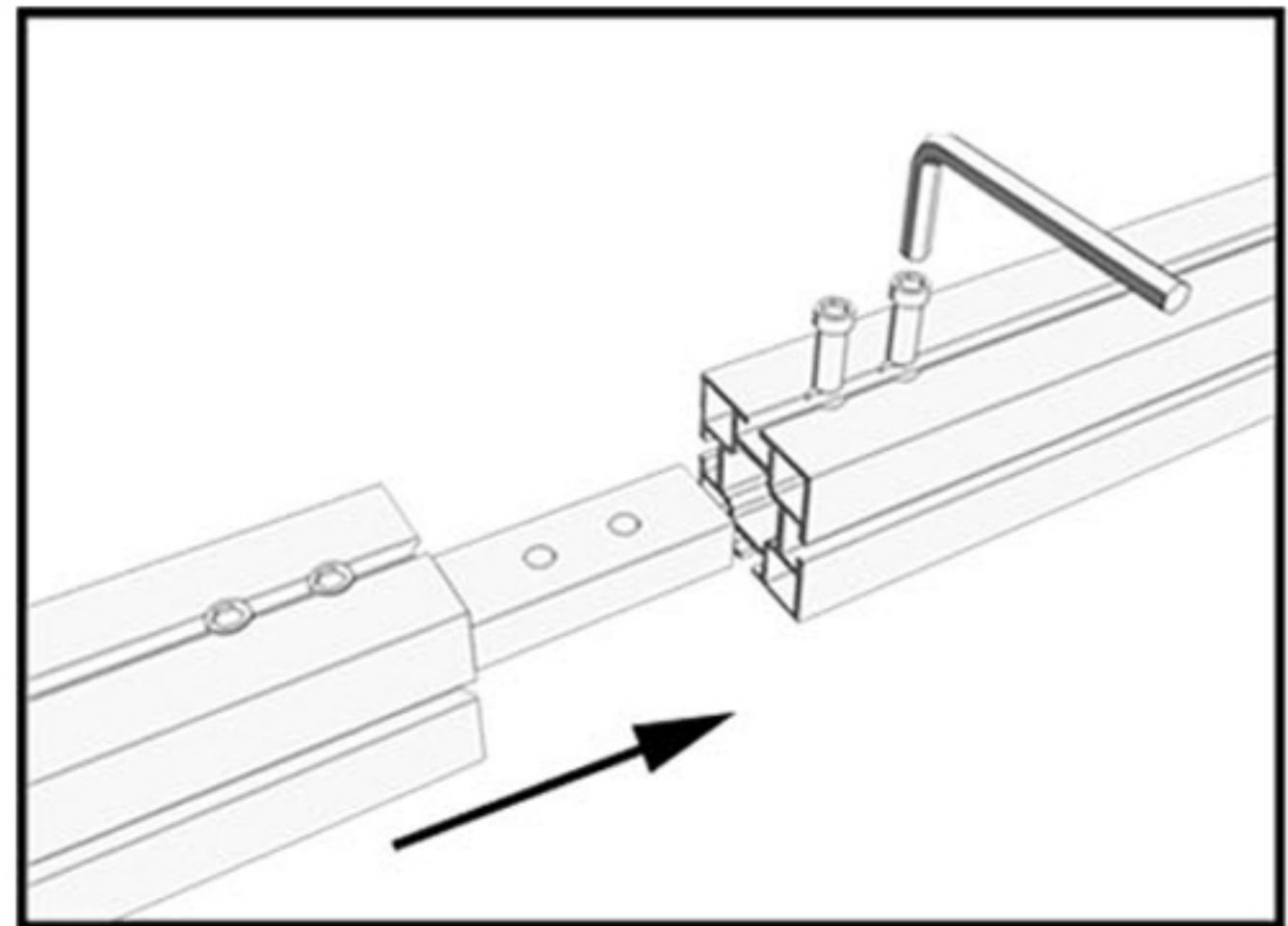
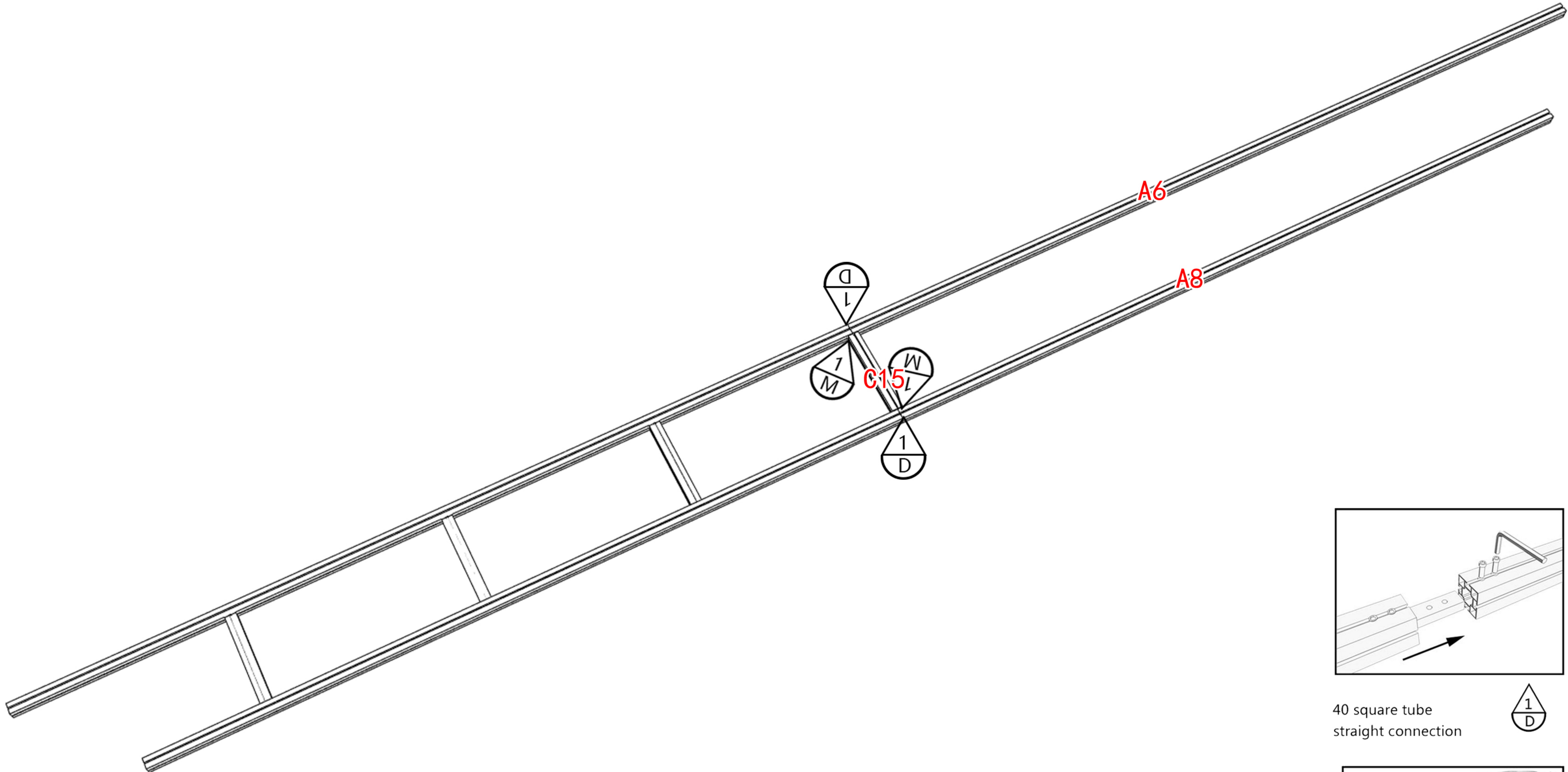




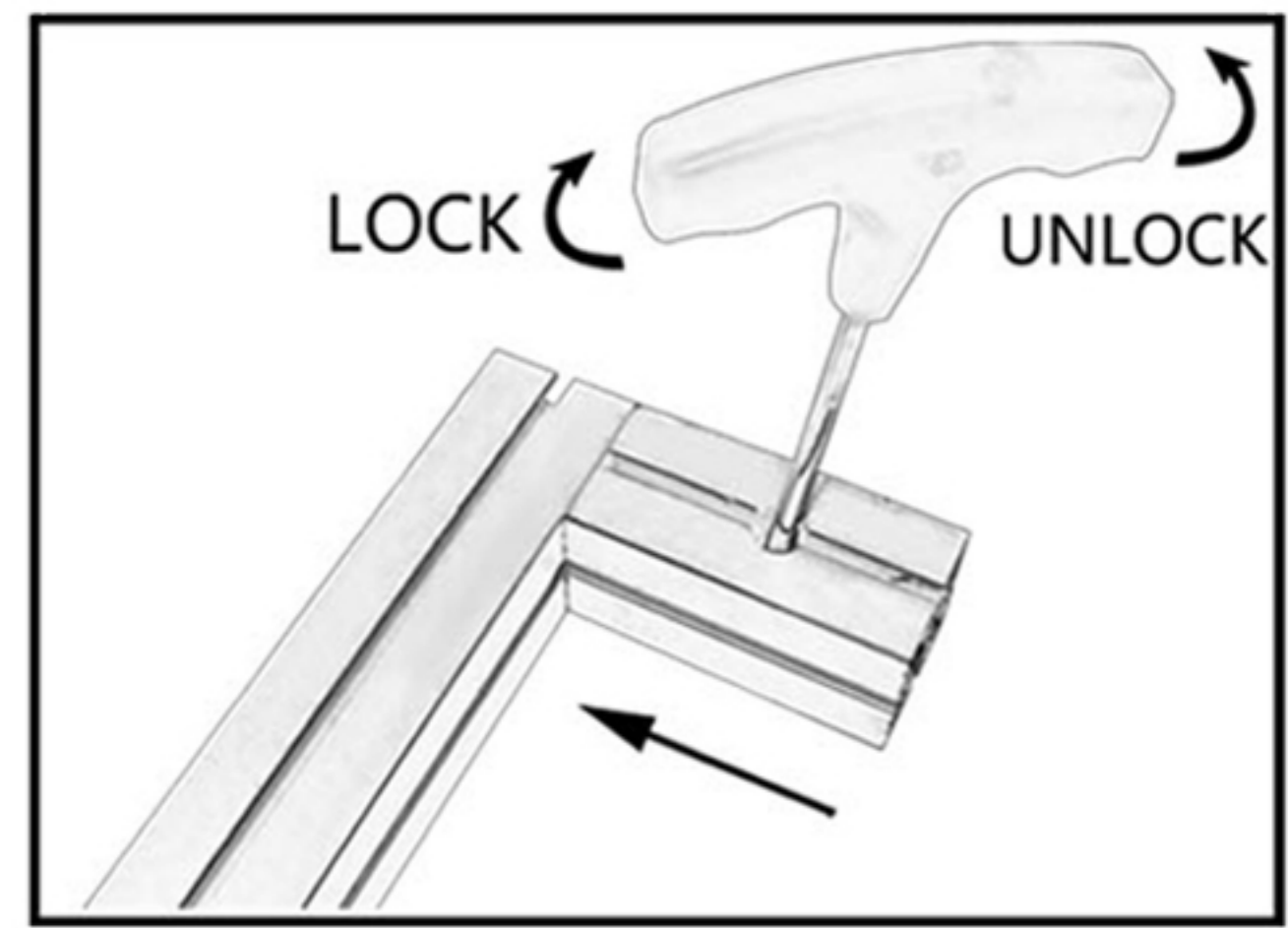


40 square tube corner connection



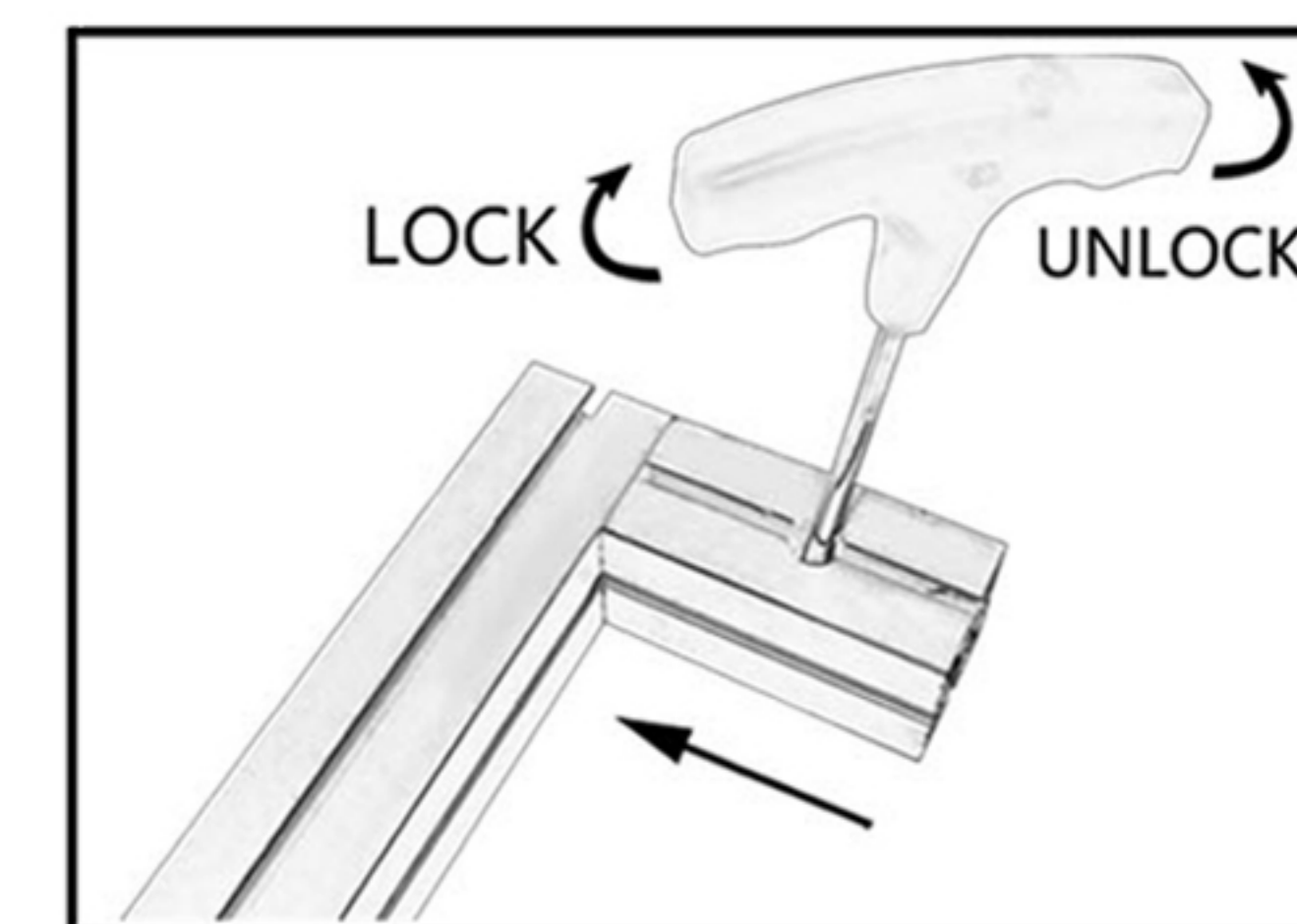
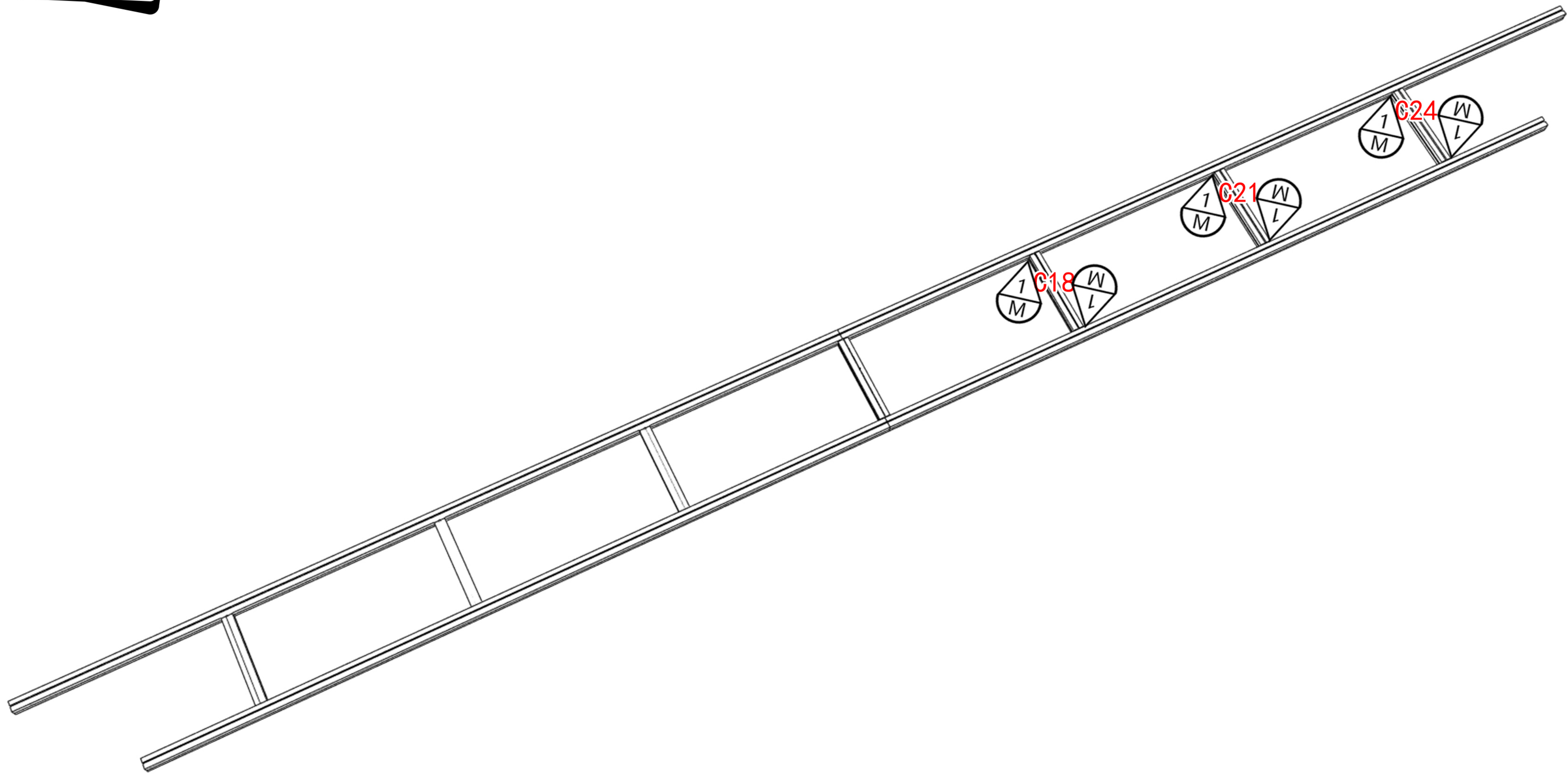


40 square tube straight connection



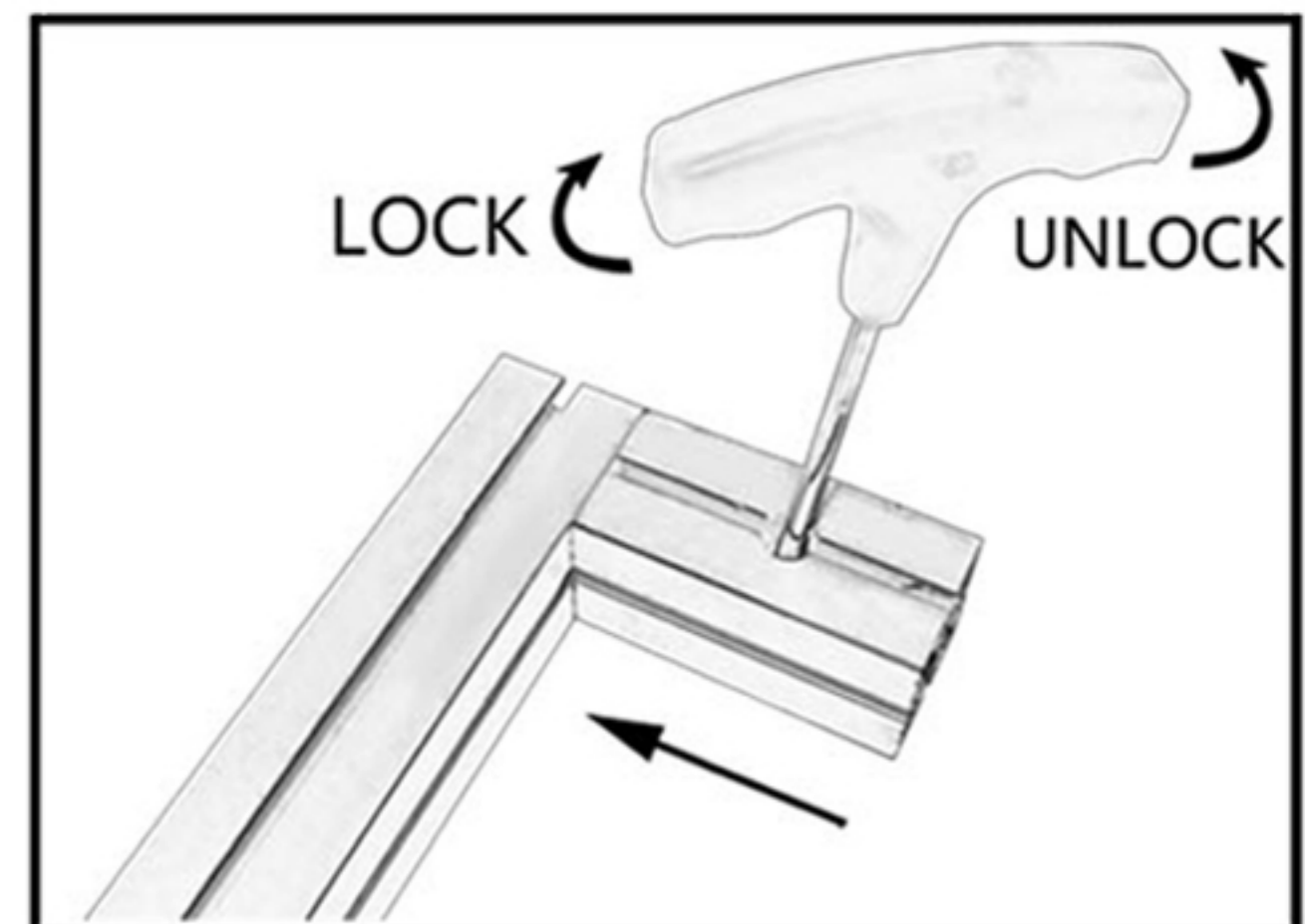
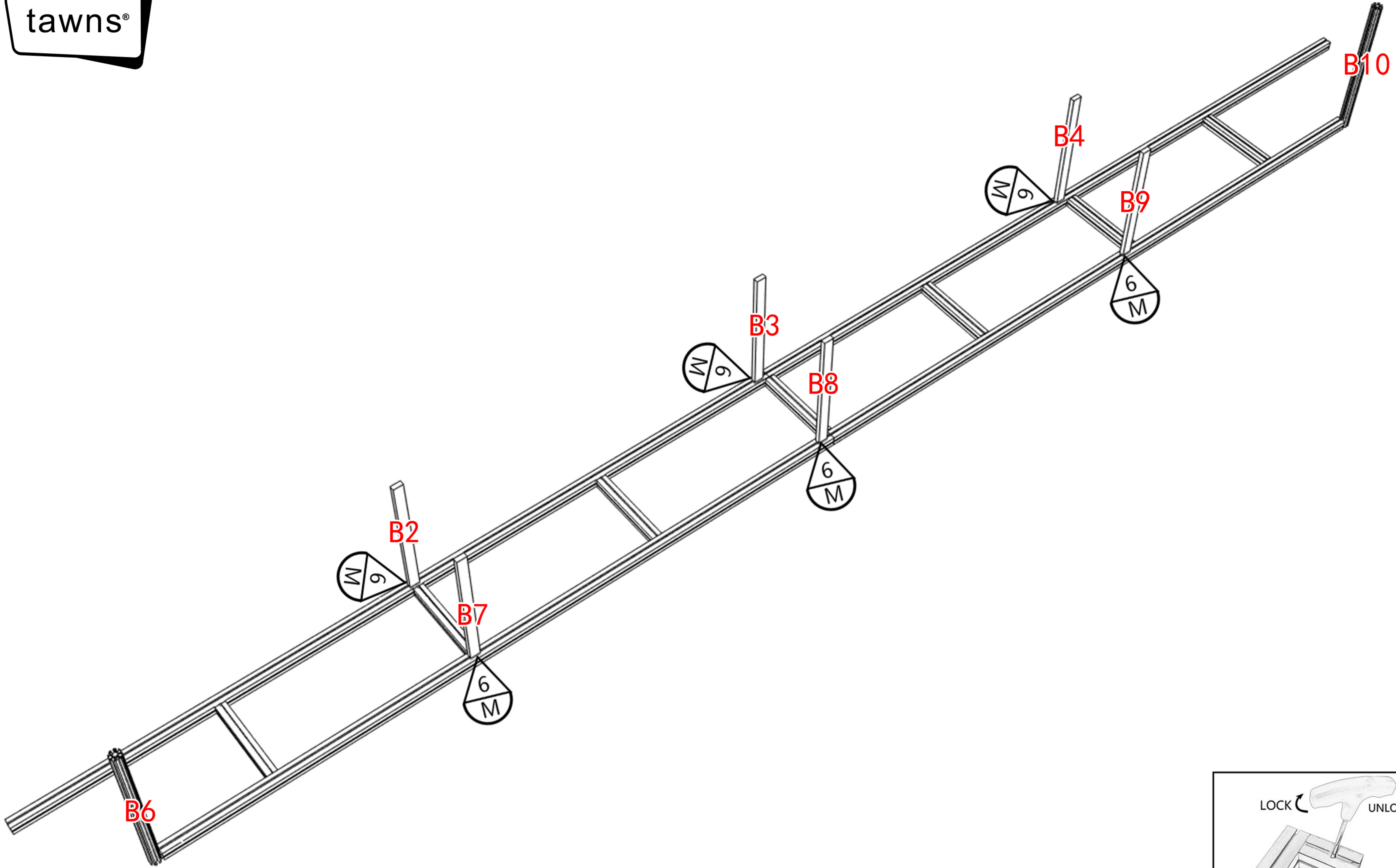
40 square tube corner connection





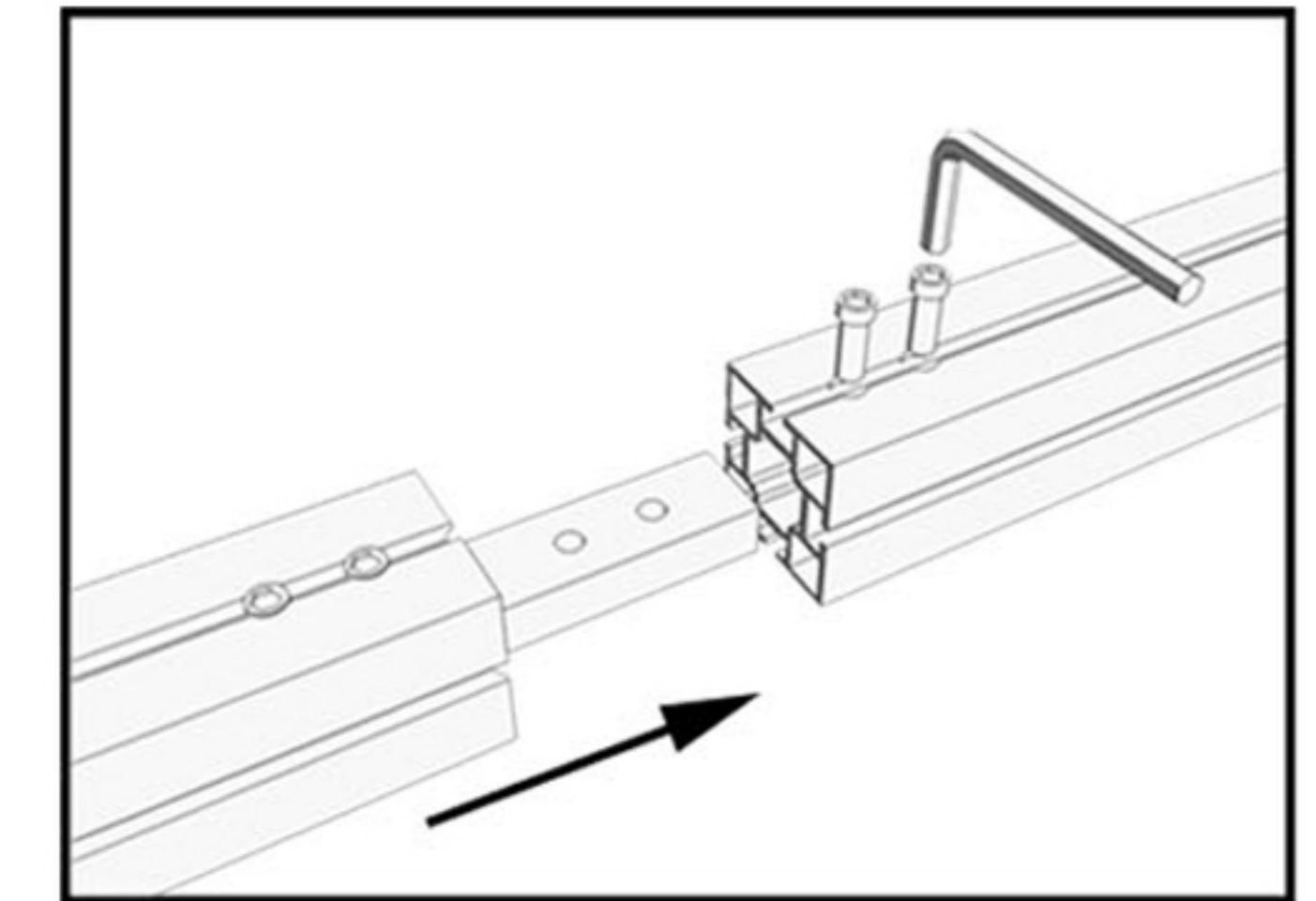
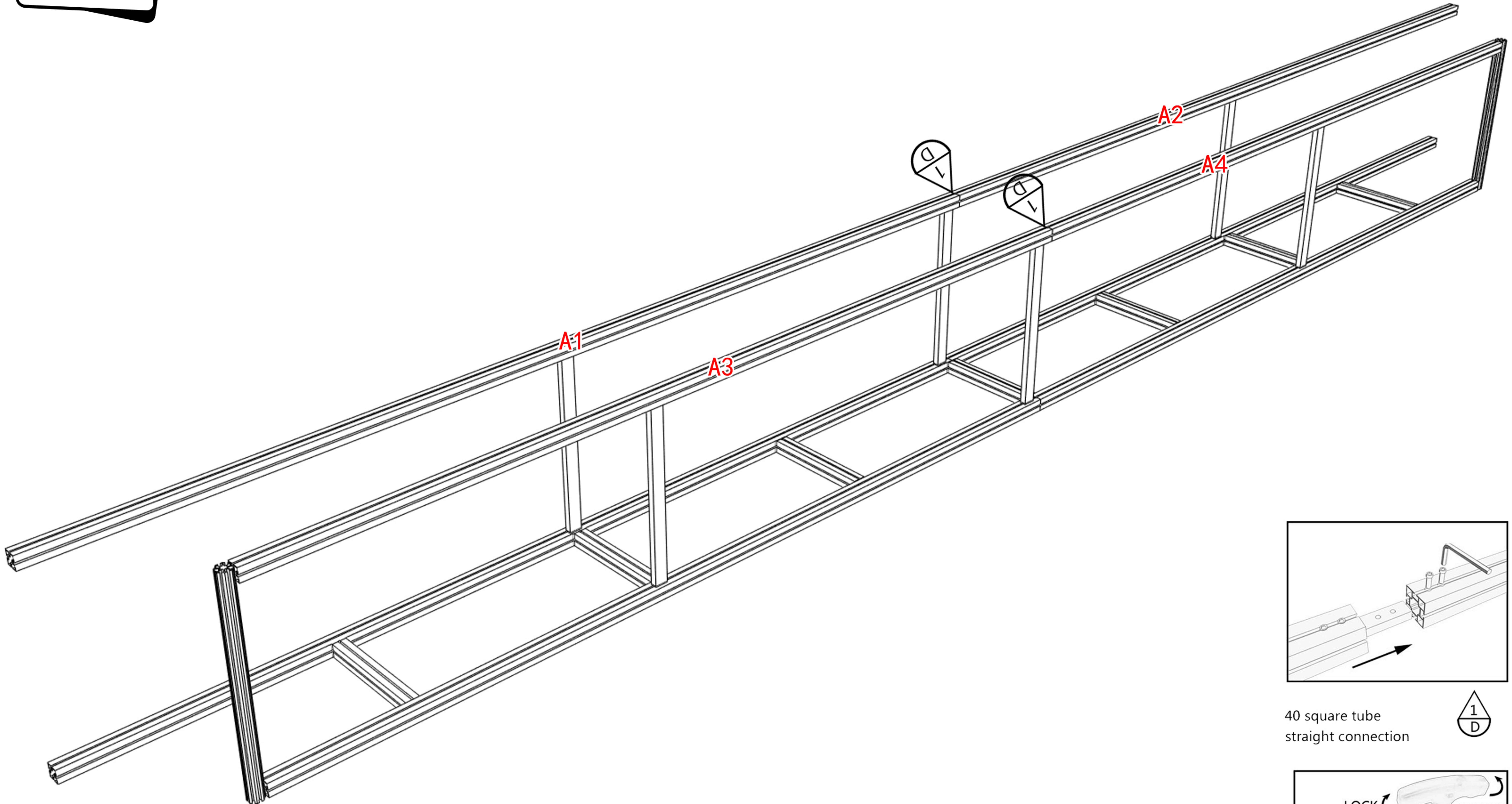
40 square tube corner connection



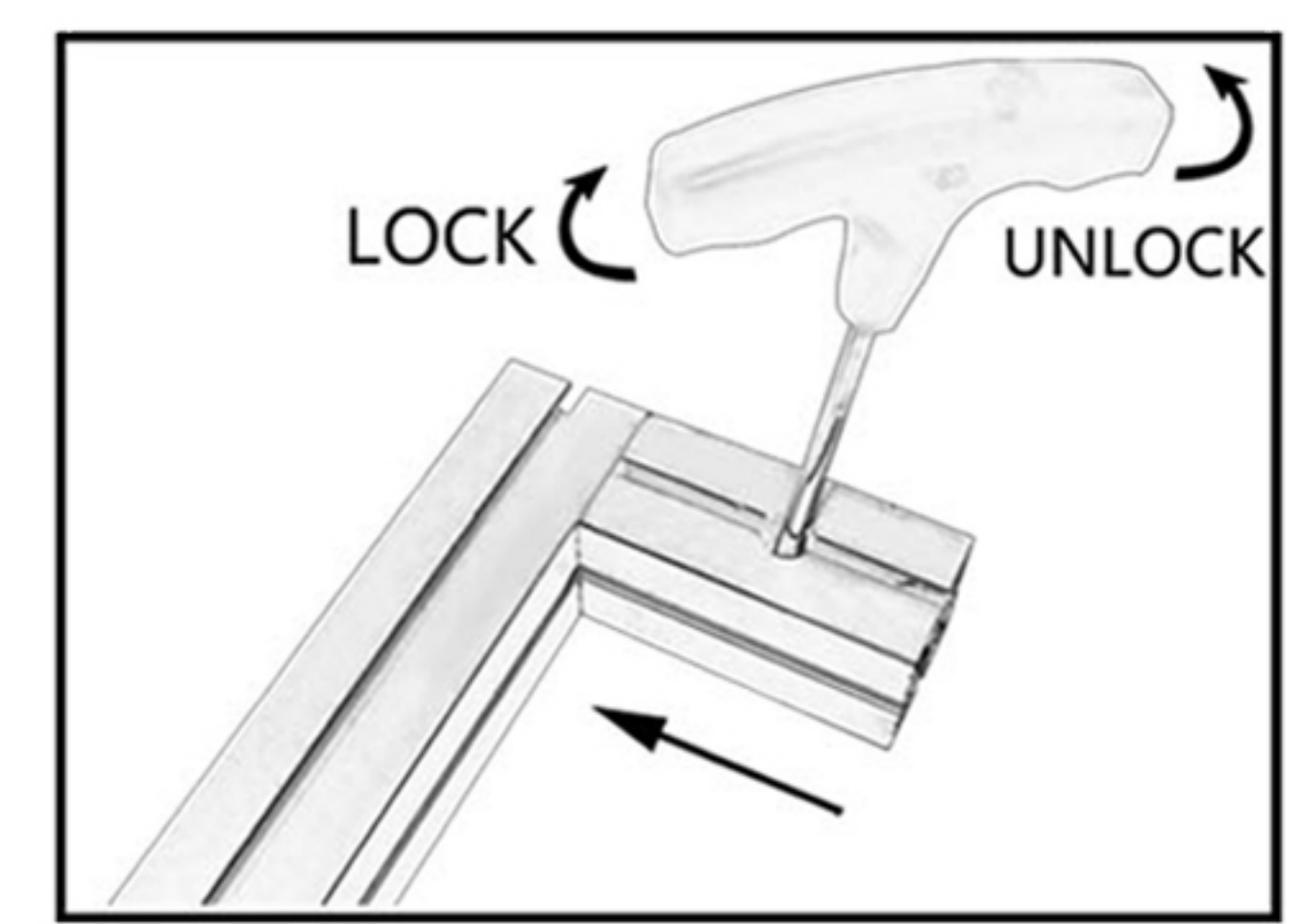
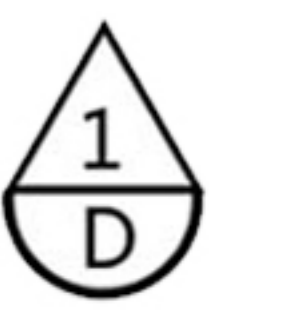


40 square tube corner connection





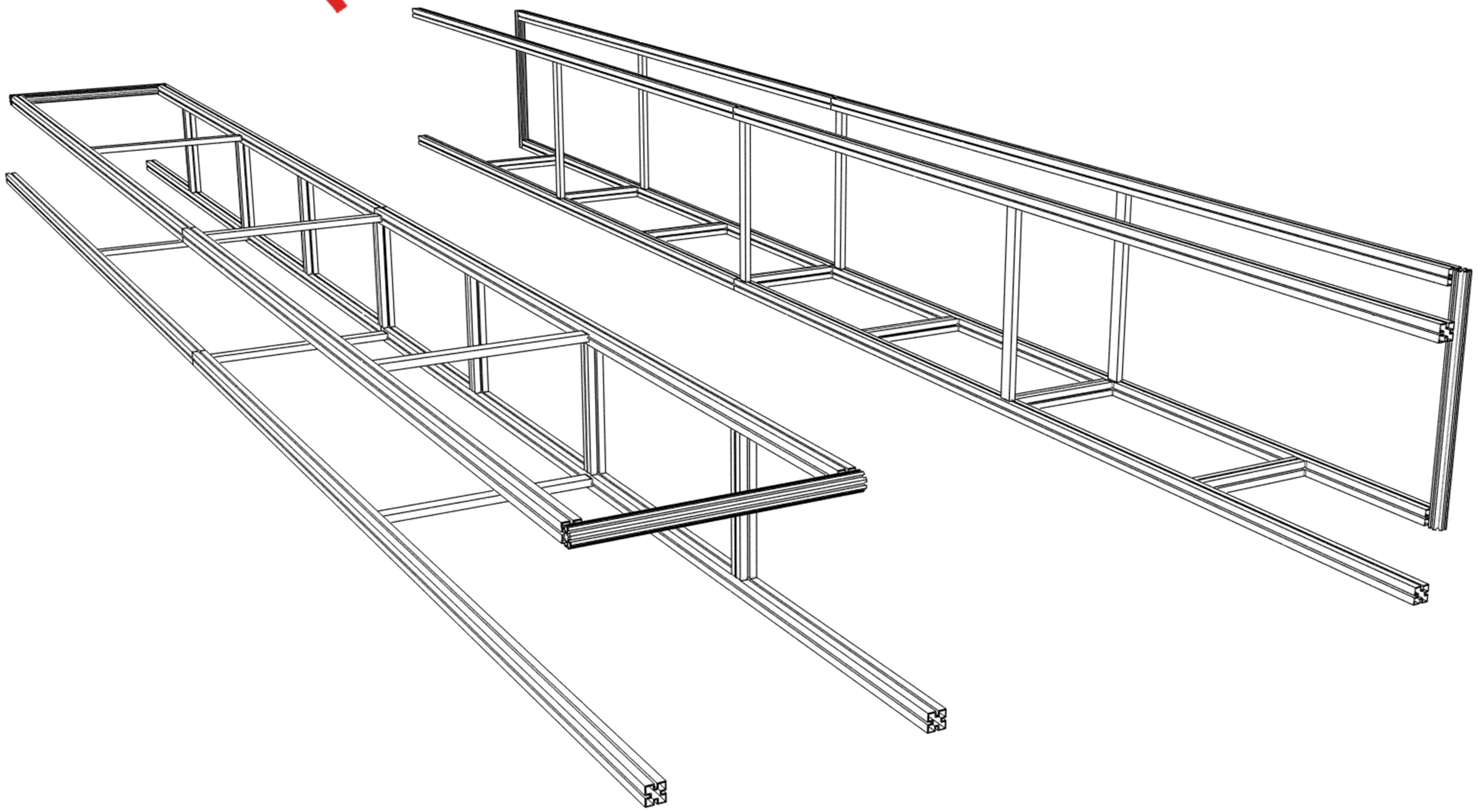
40 square tube straight connection

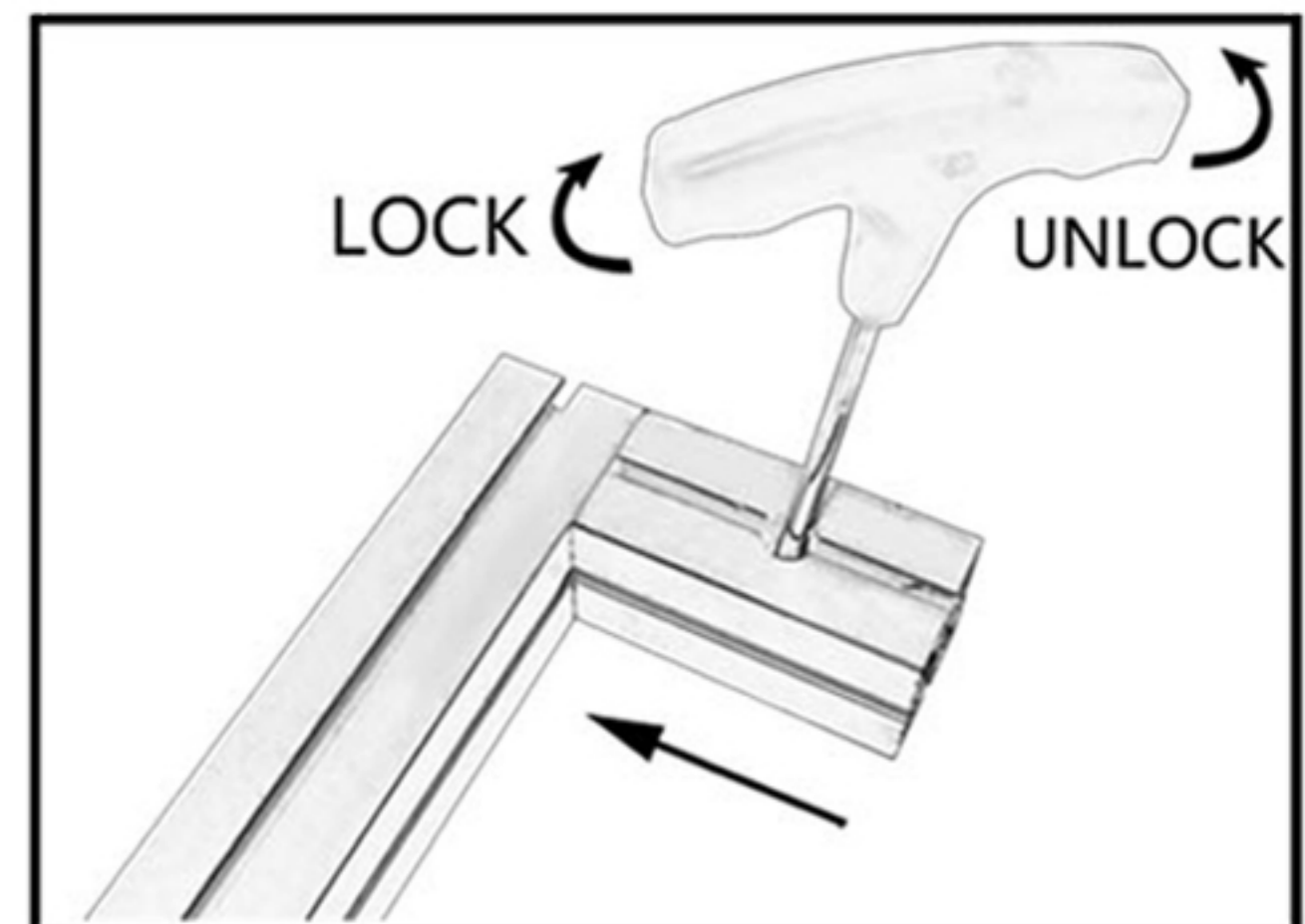
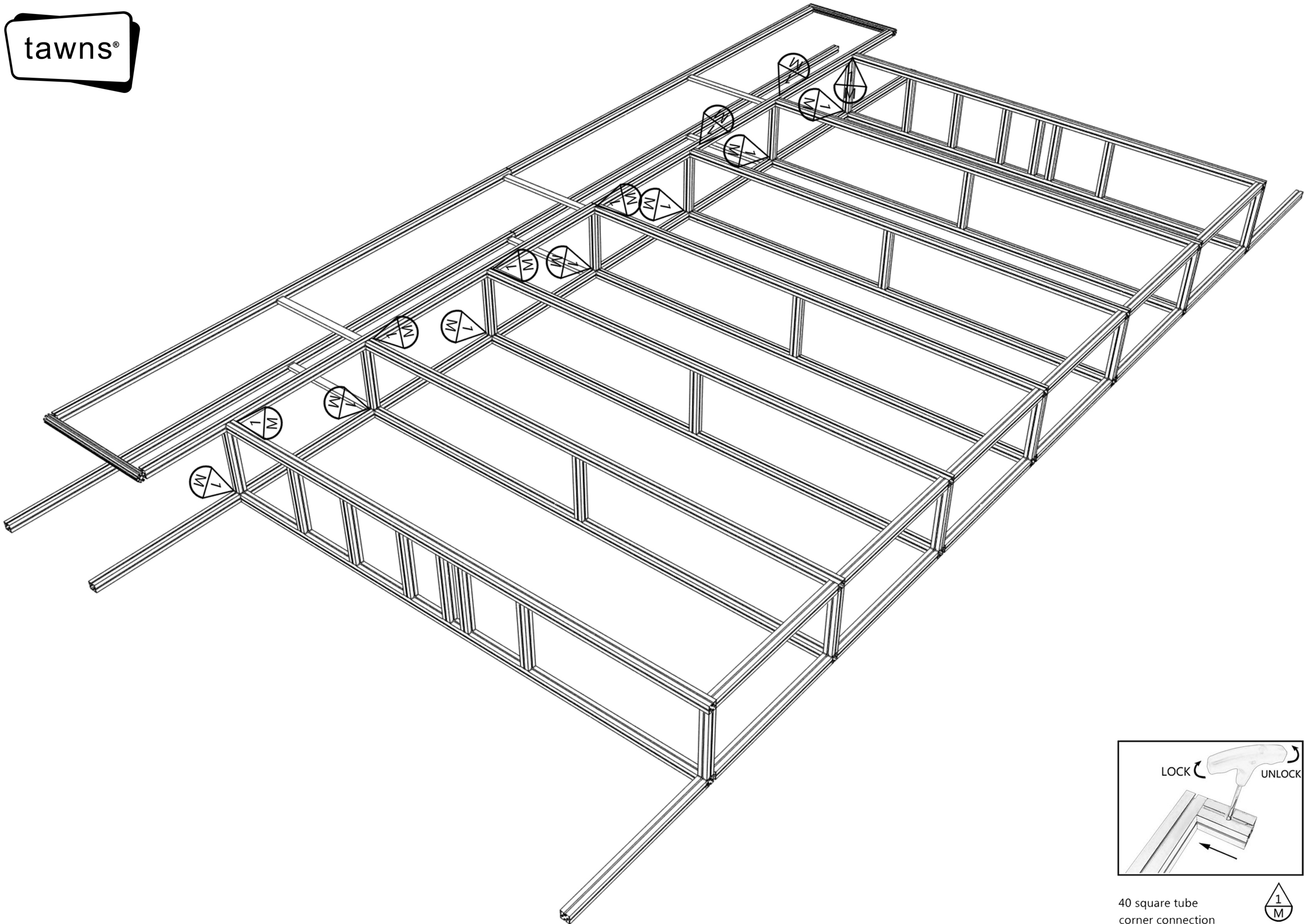


40 square tube corner connection



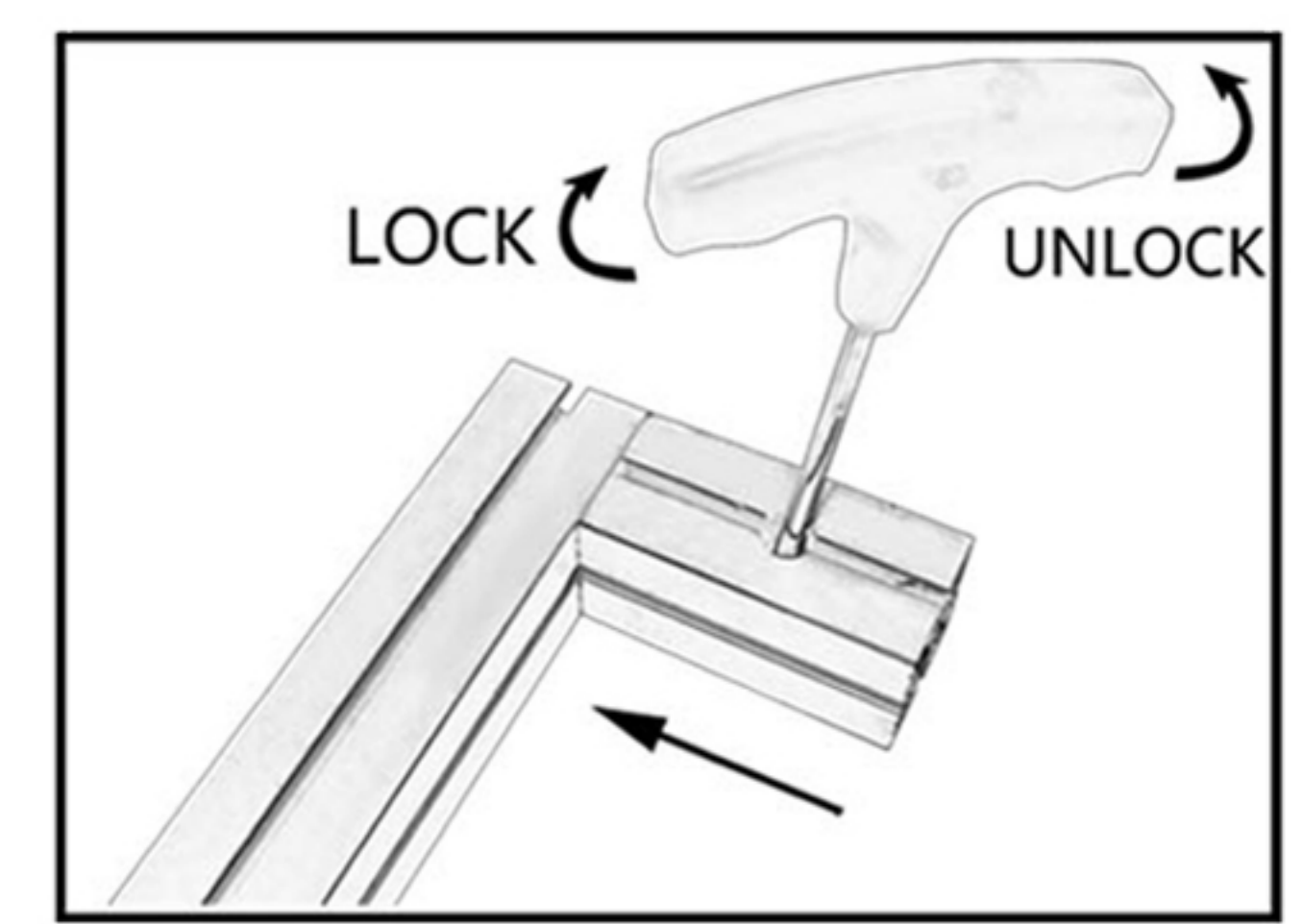
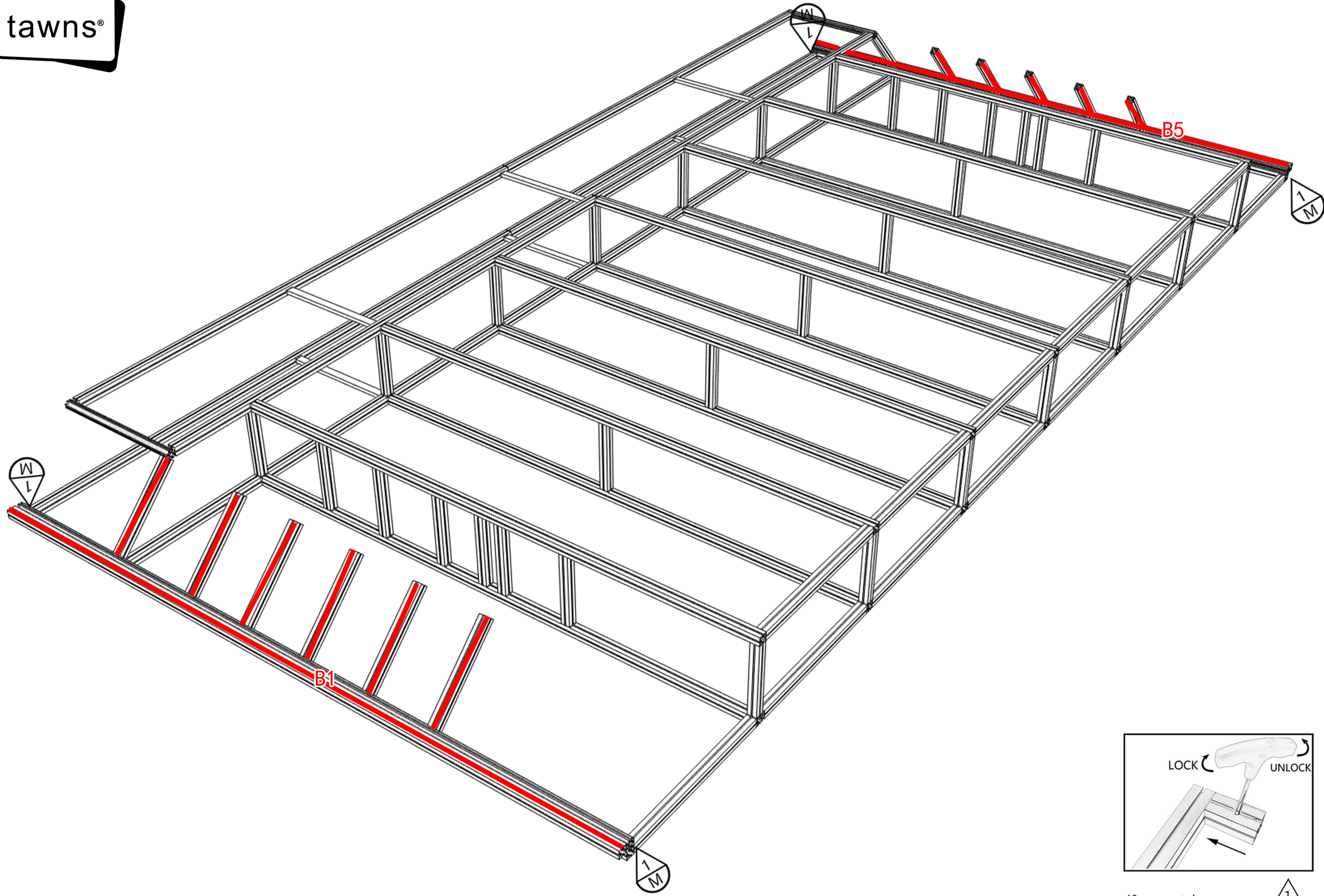
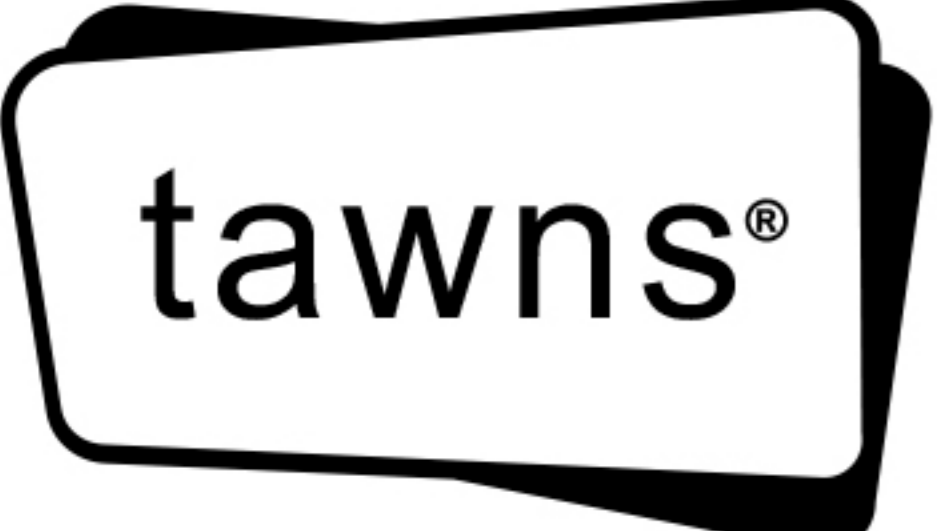
tawns®





40 square tube corner connection



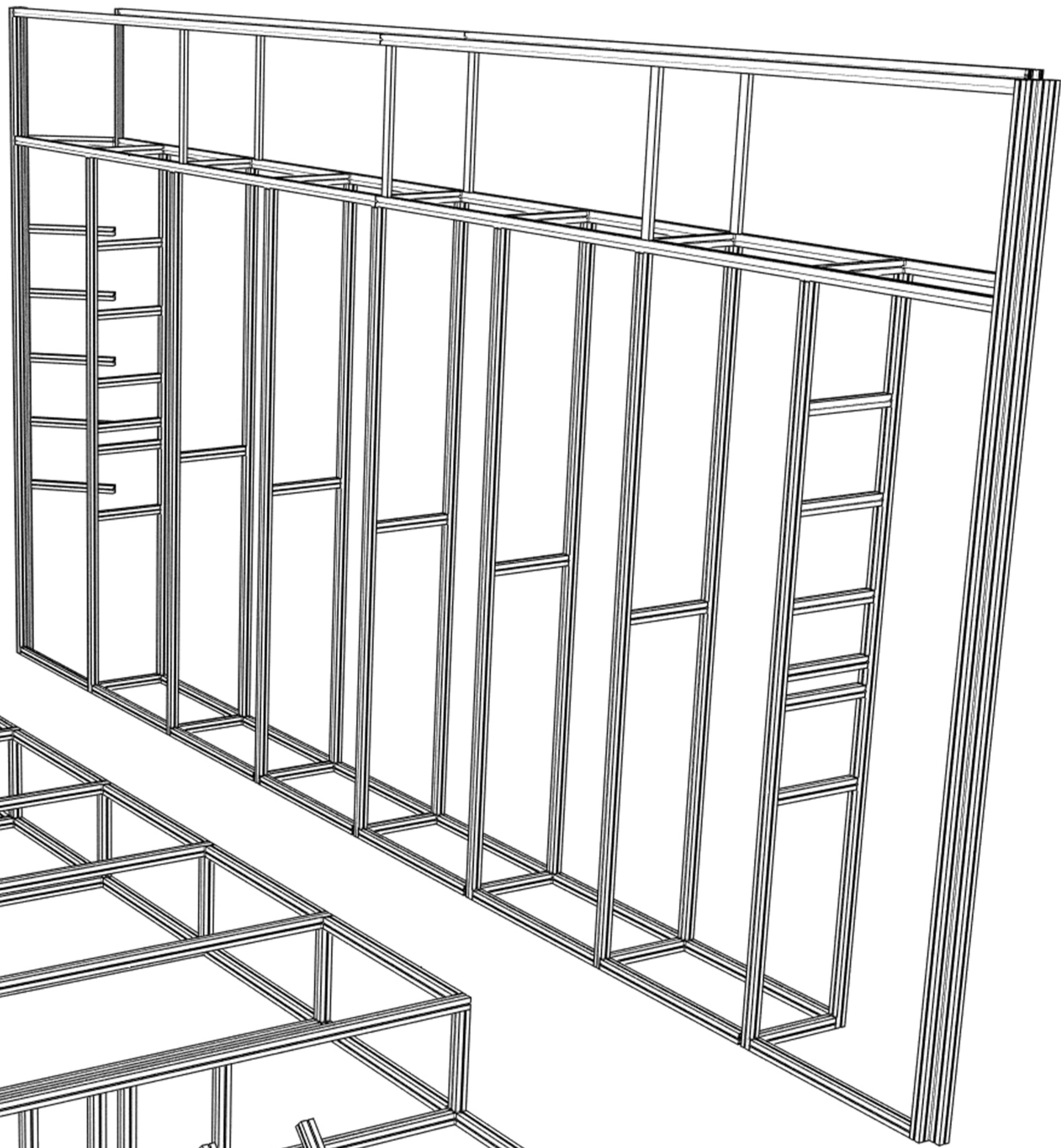
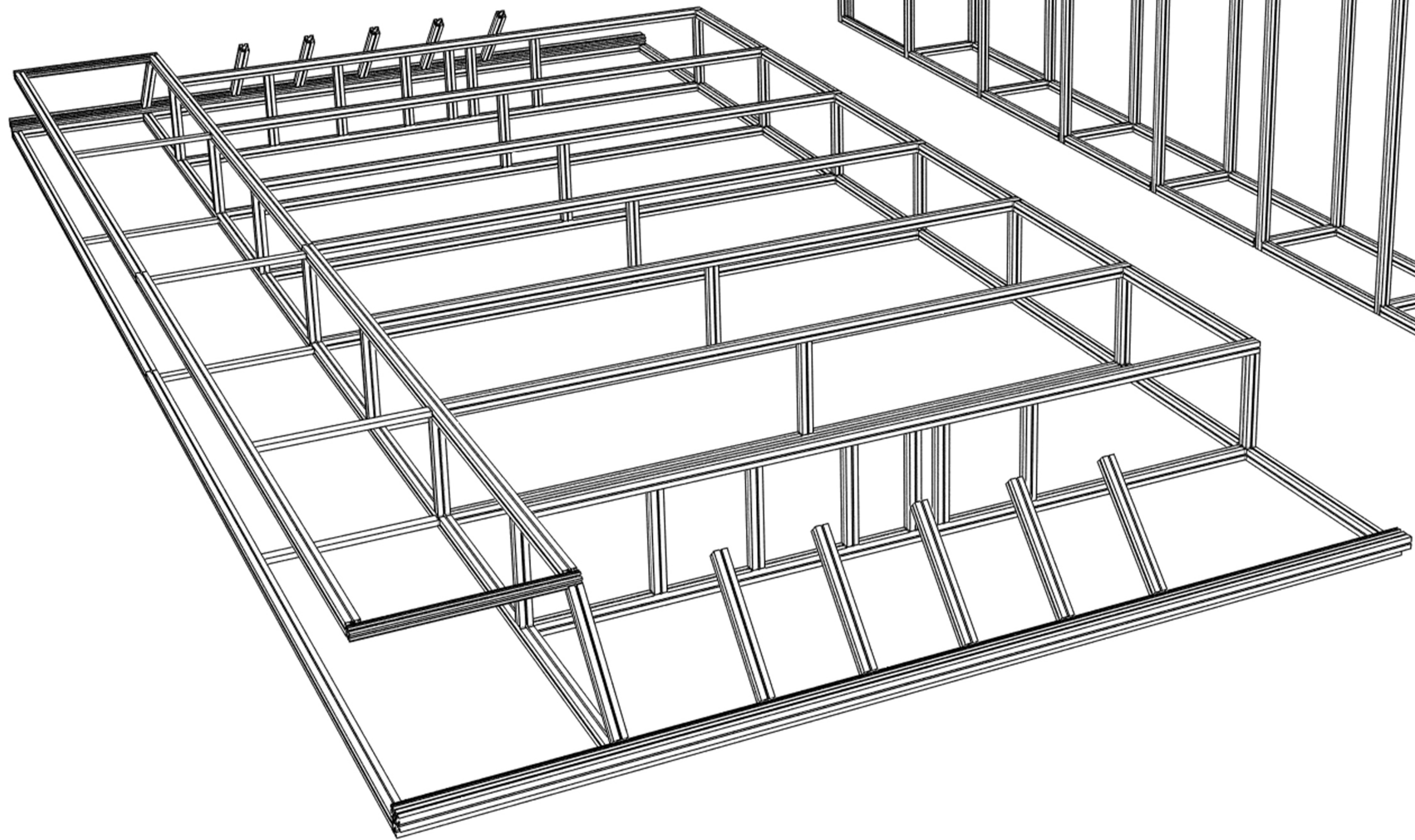


40 square tube corner connection

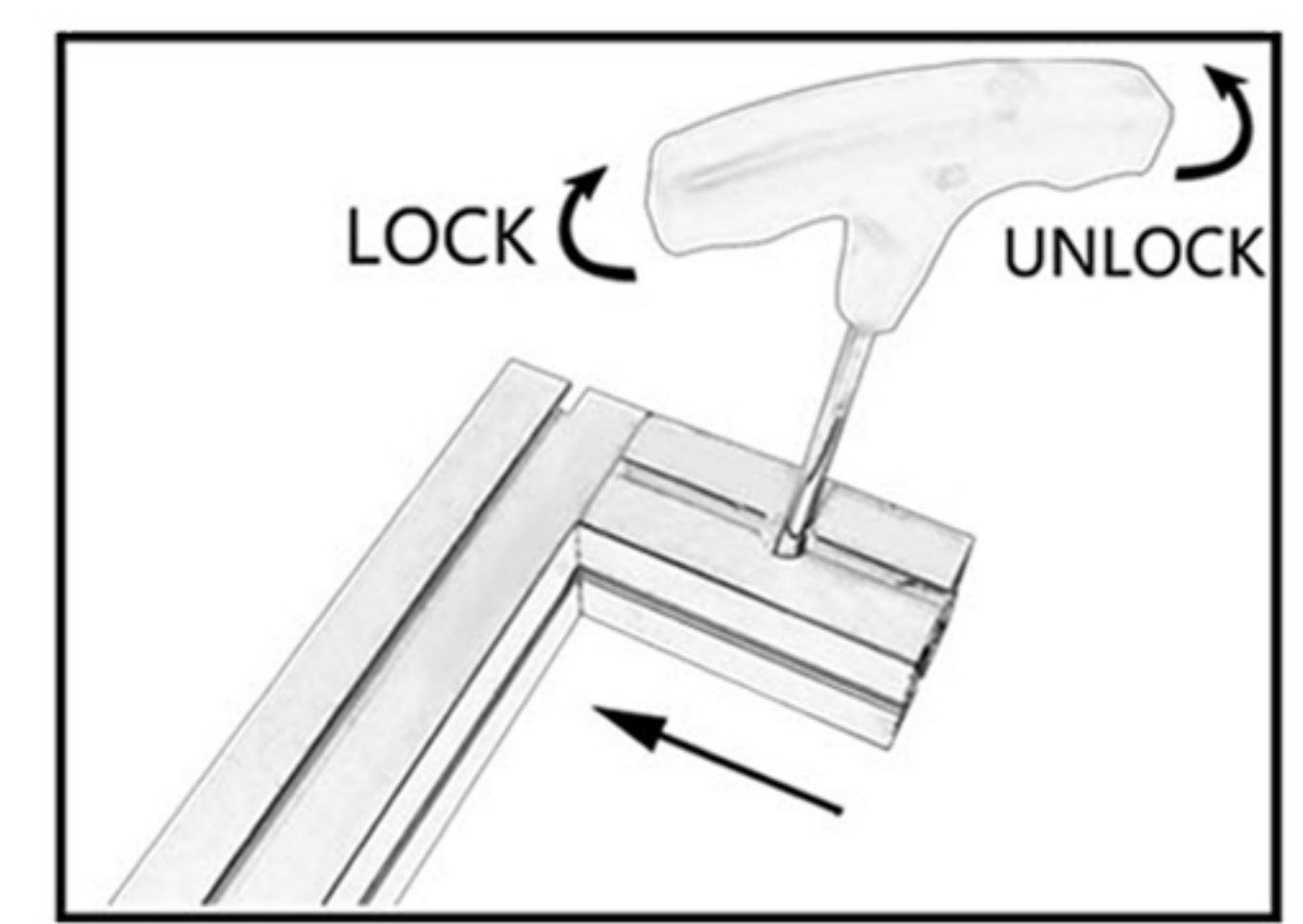
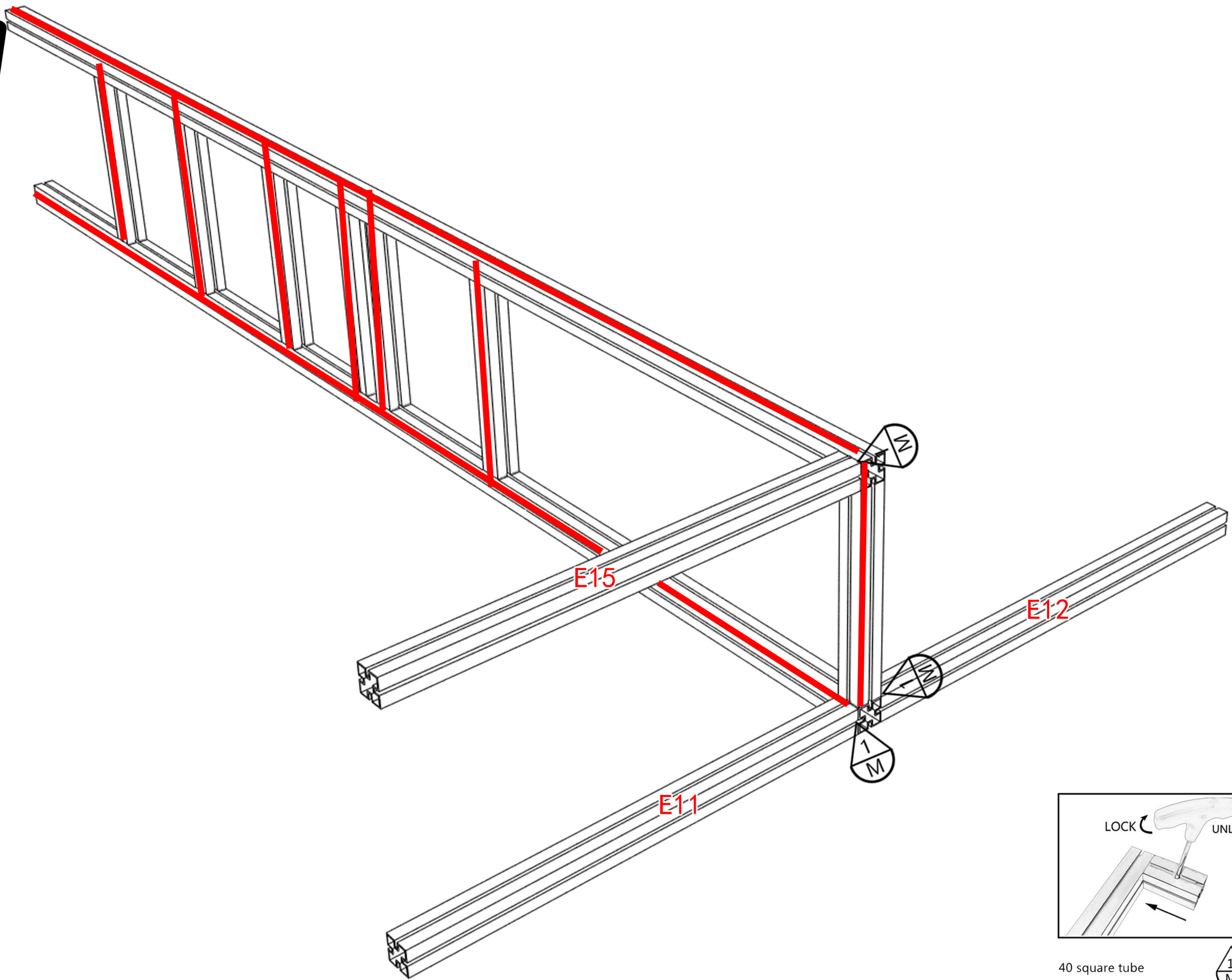




tawns®



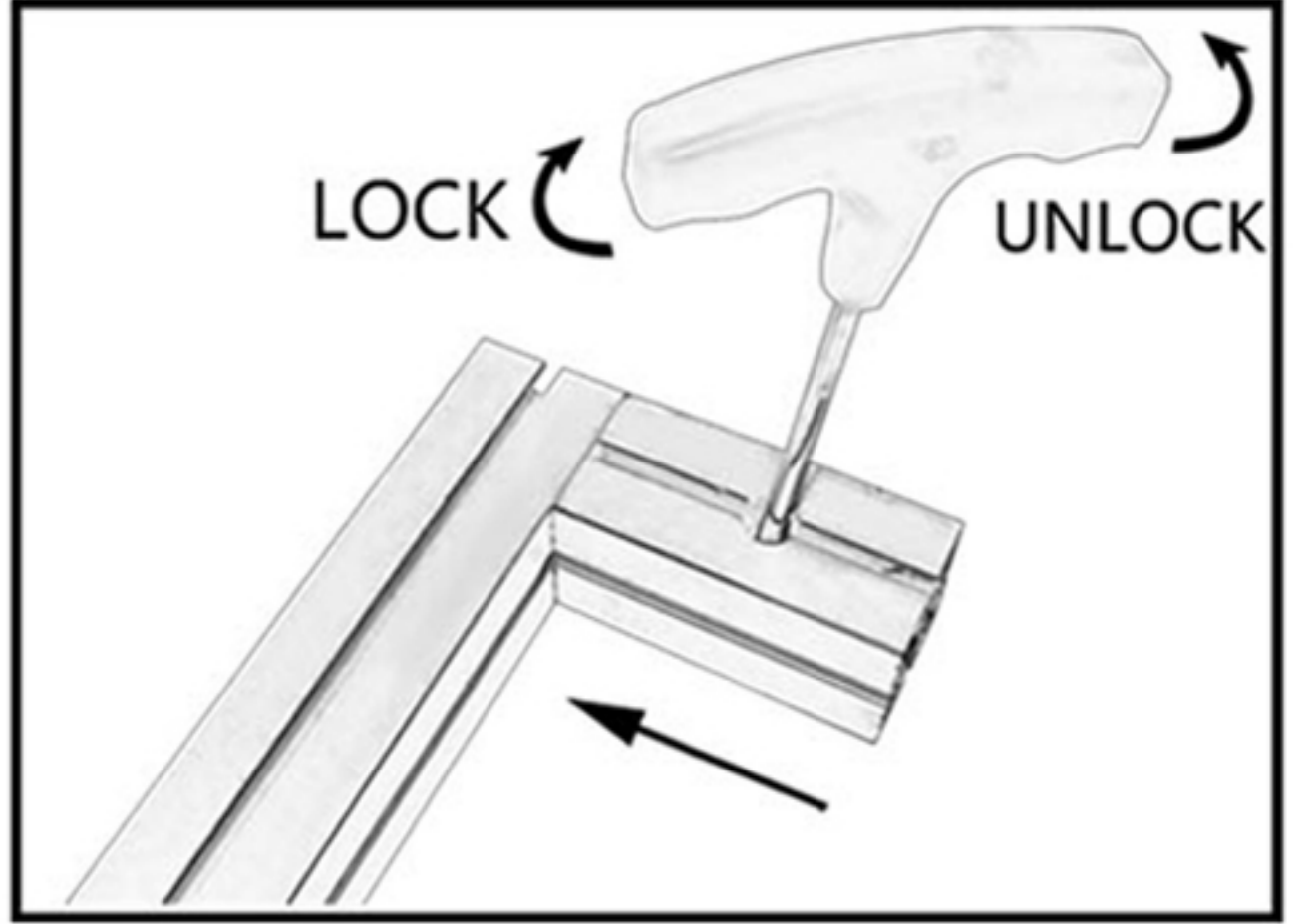
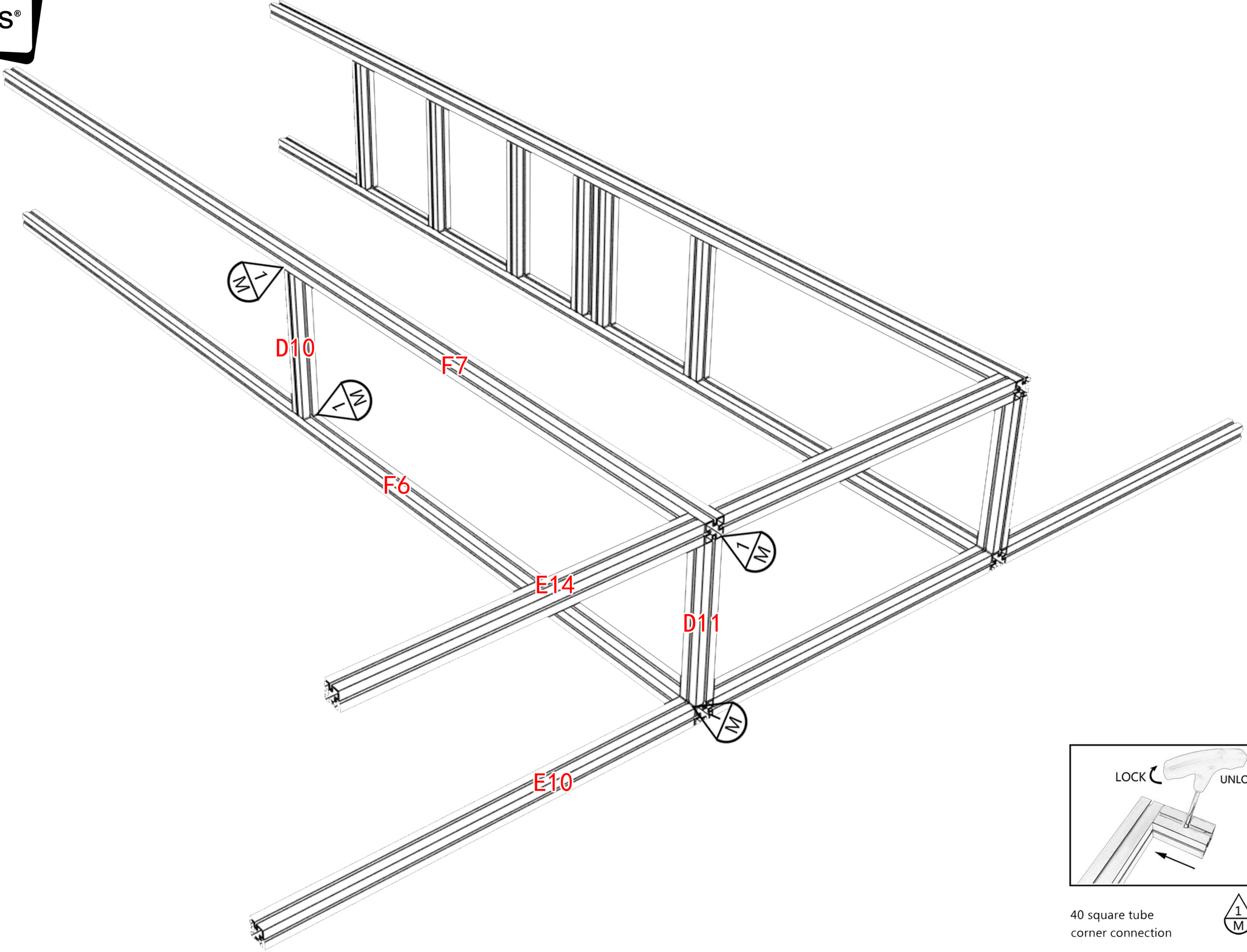
tawns®



40 square tube  
corner connection

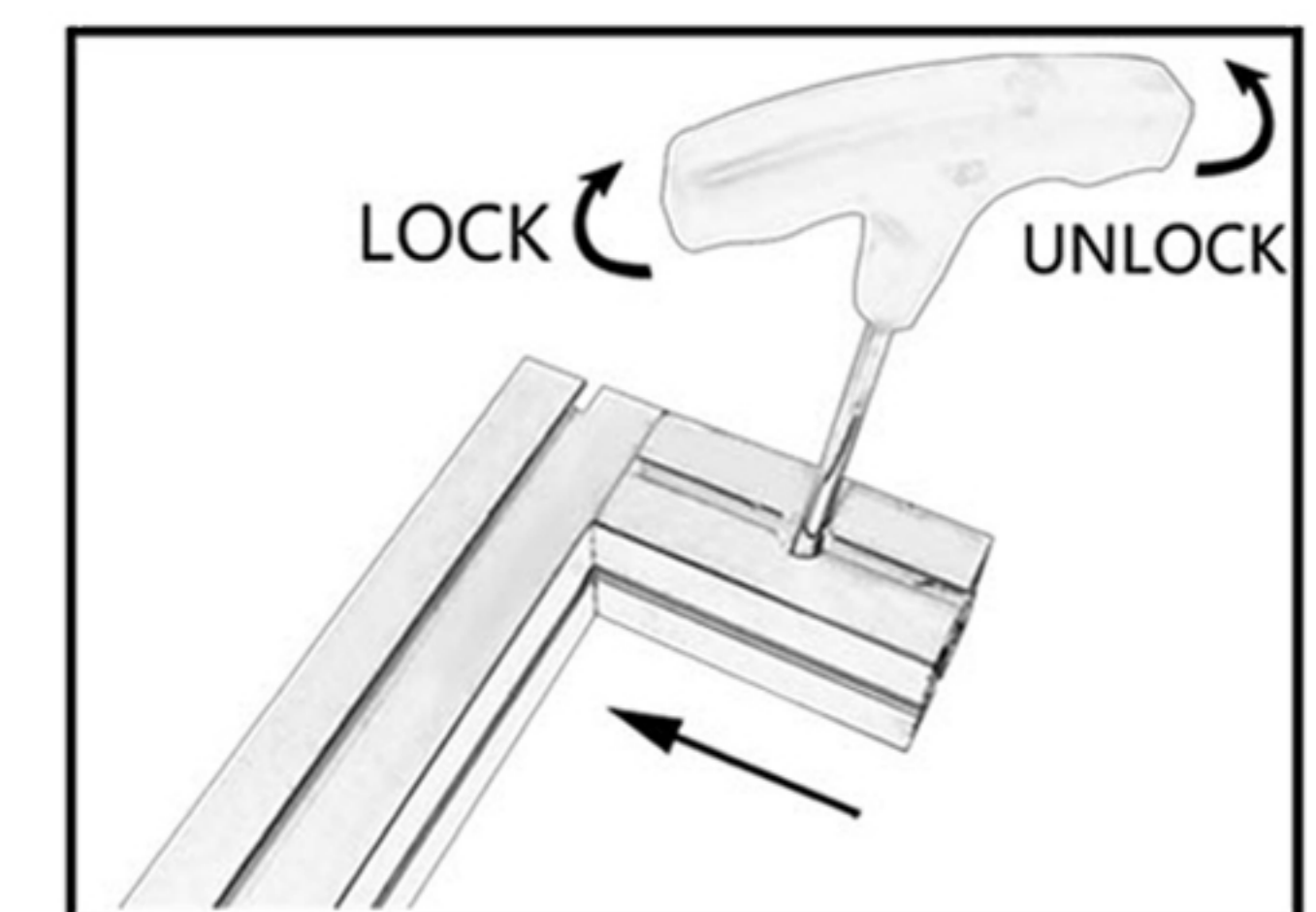
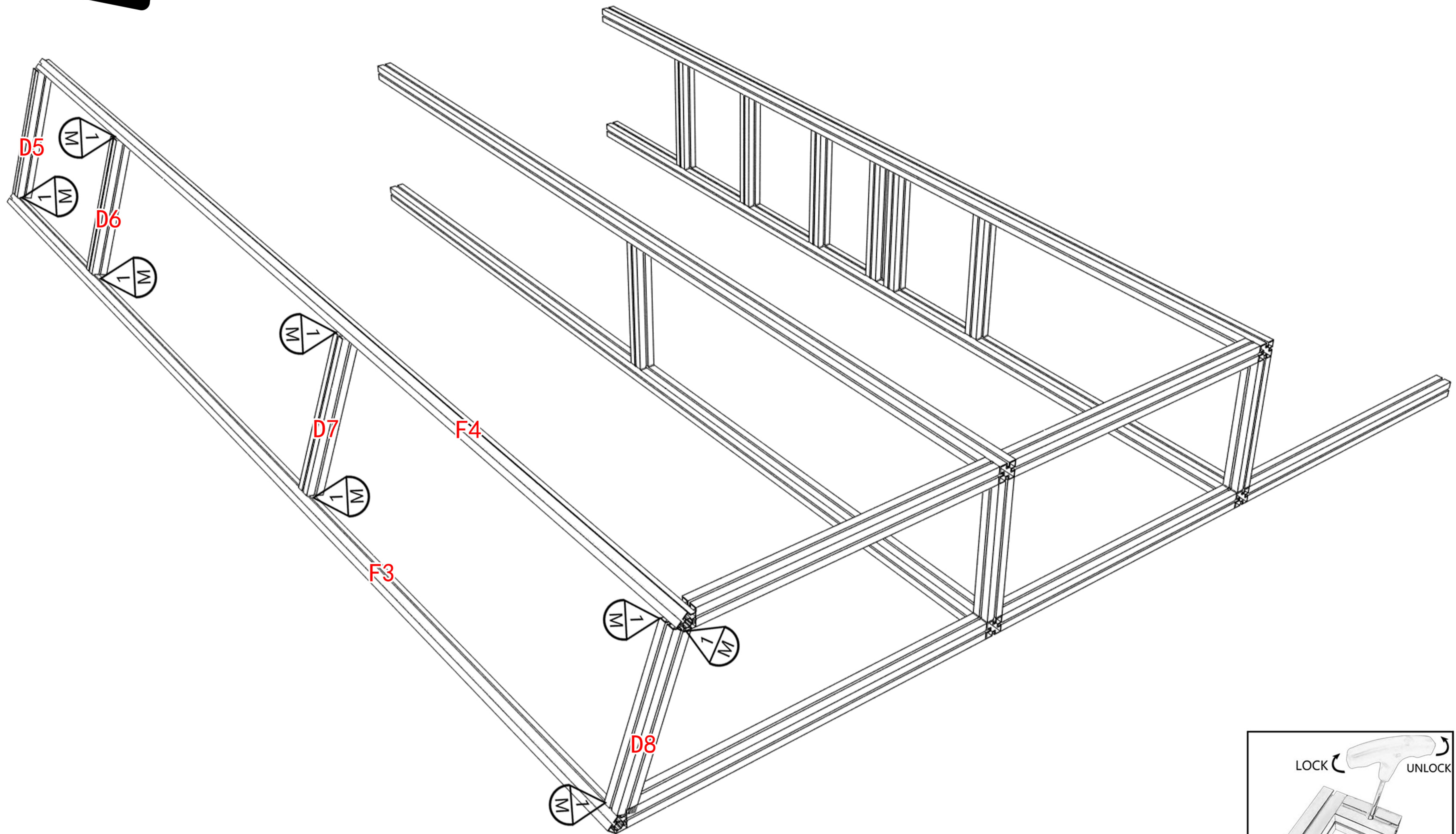


tawns®



40 square tube corner connection

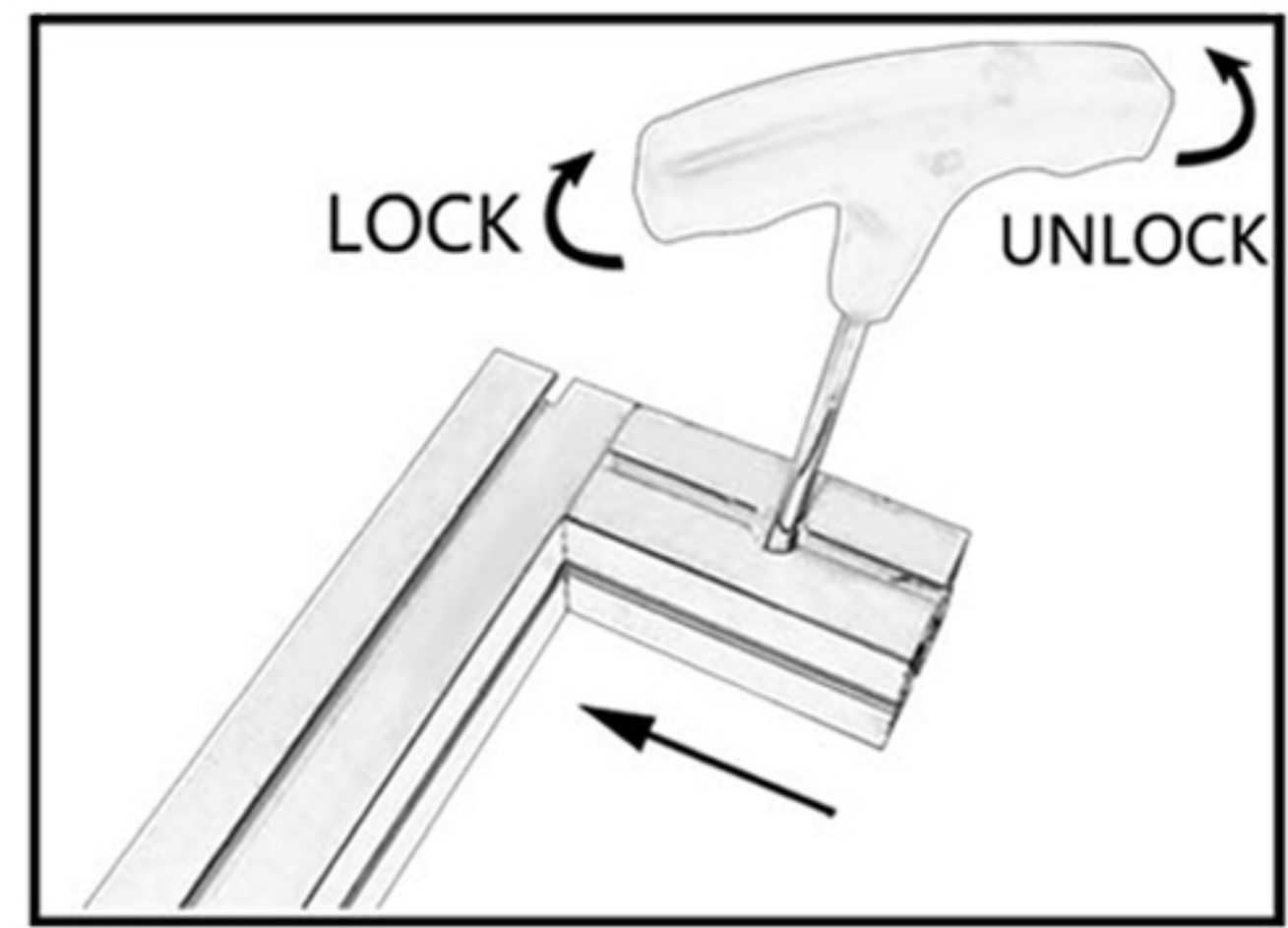
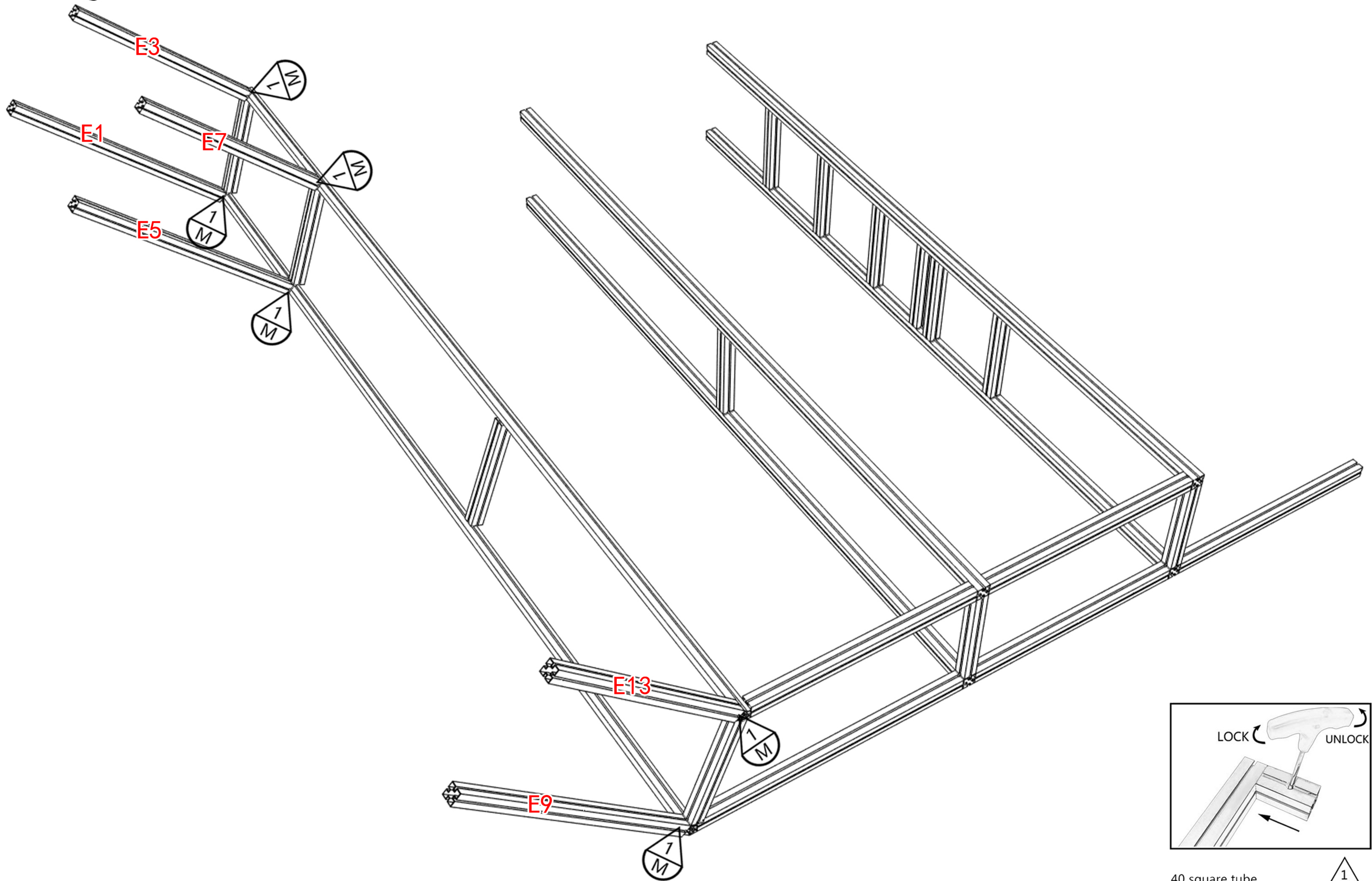




40 square tube  
corner connection



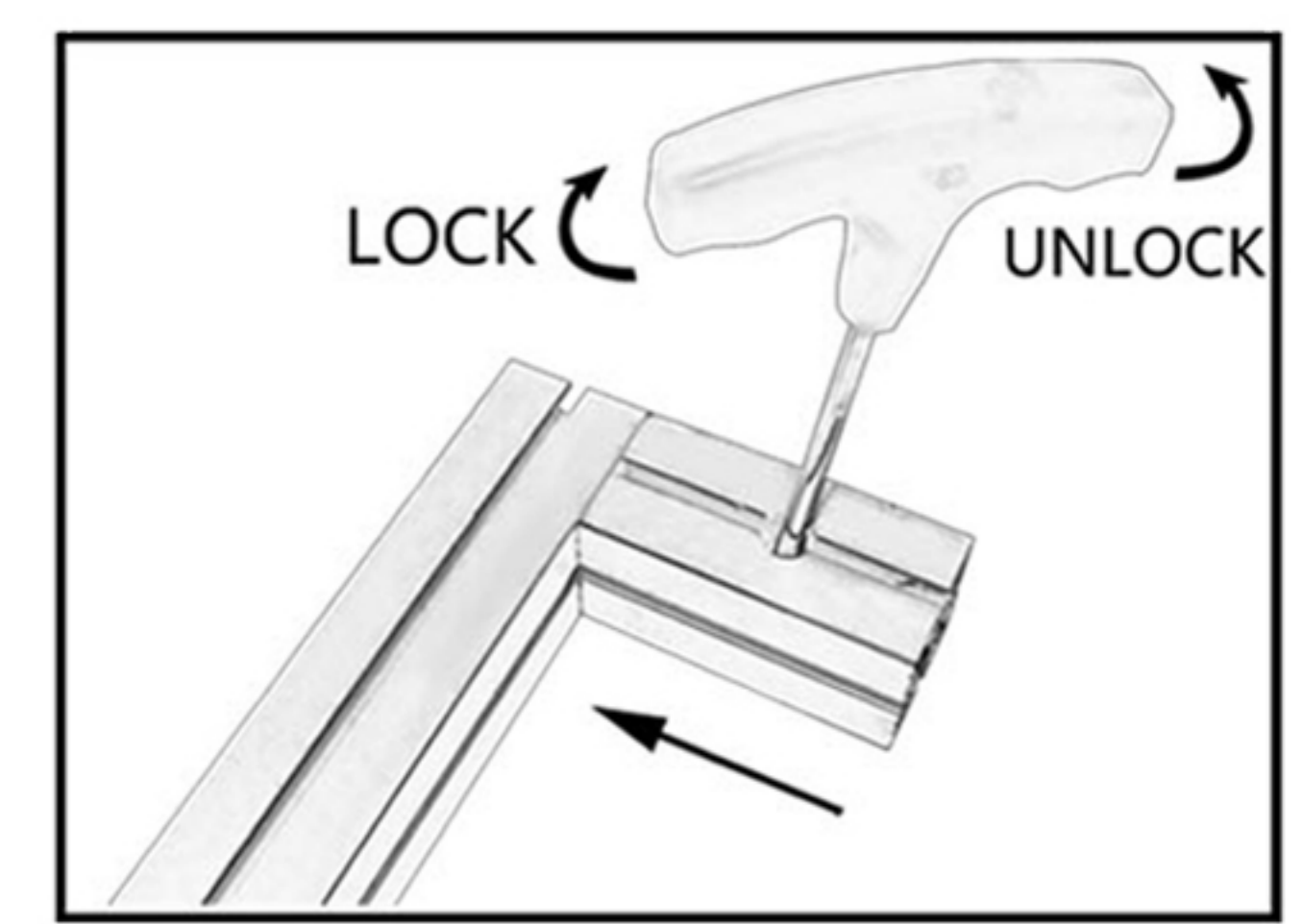
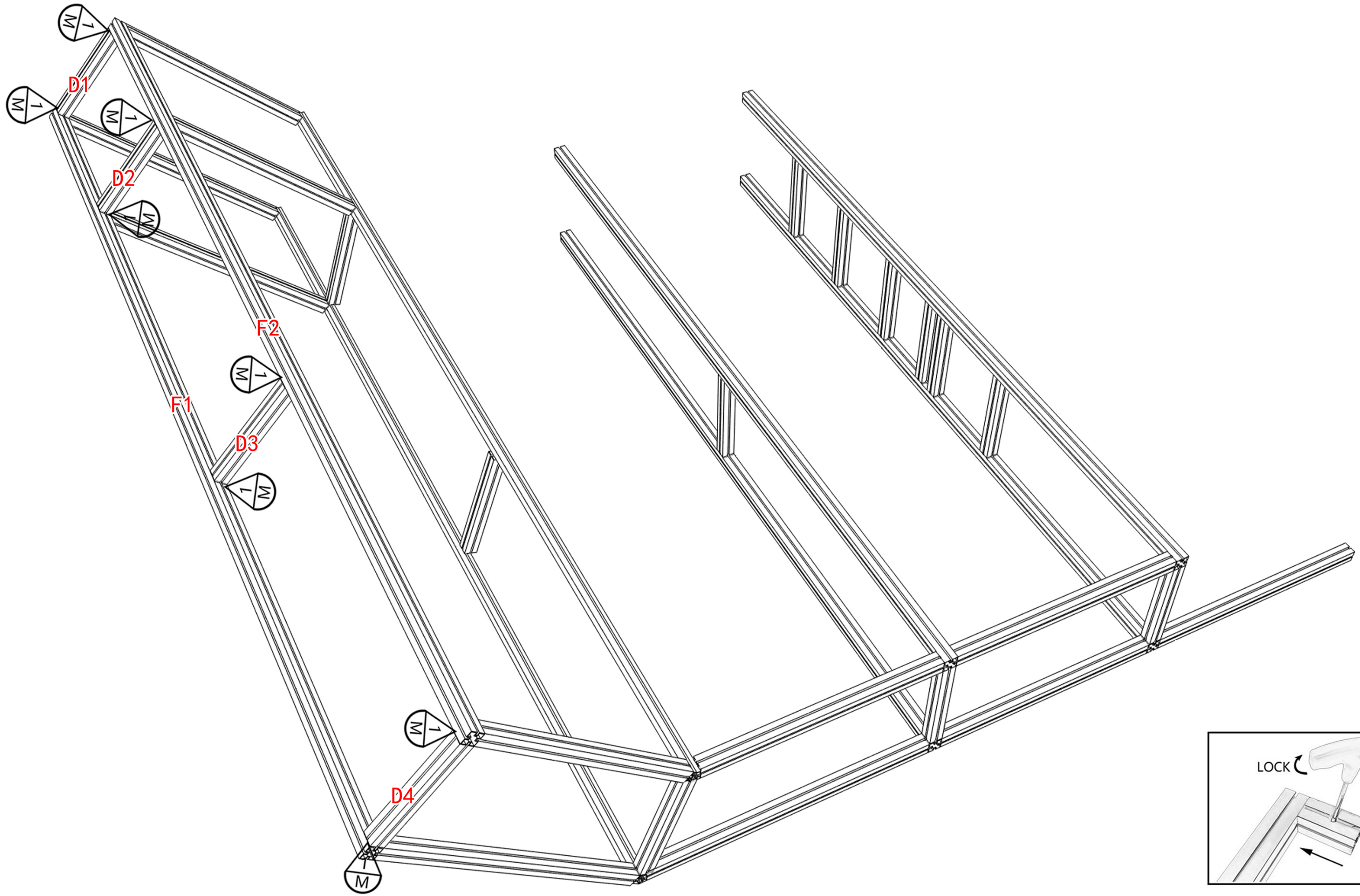
tawns®



40 square tube corner connection



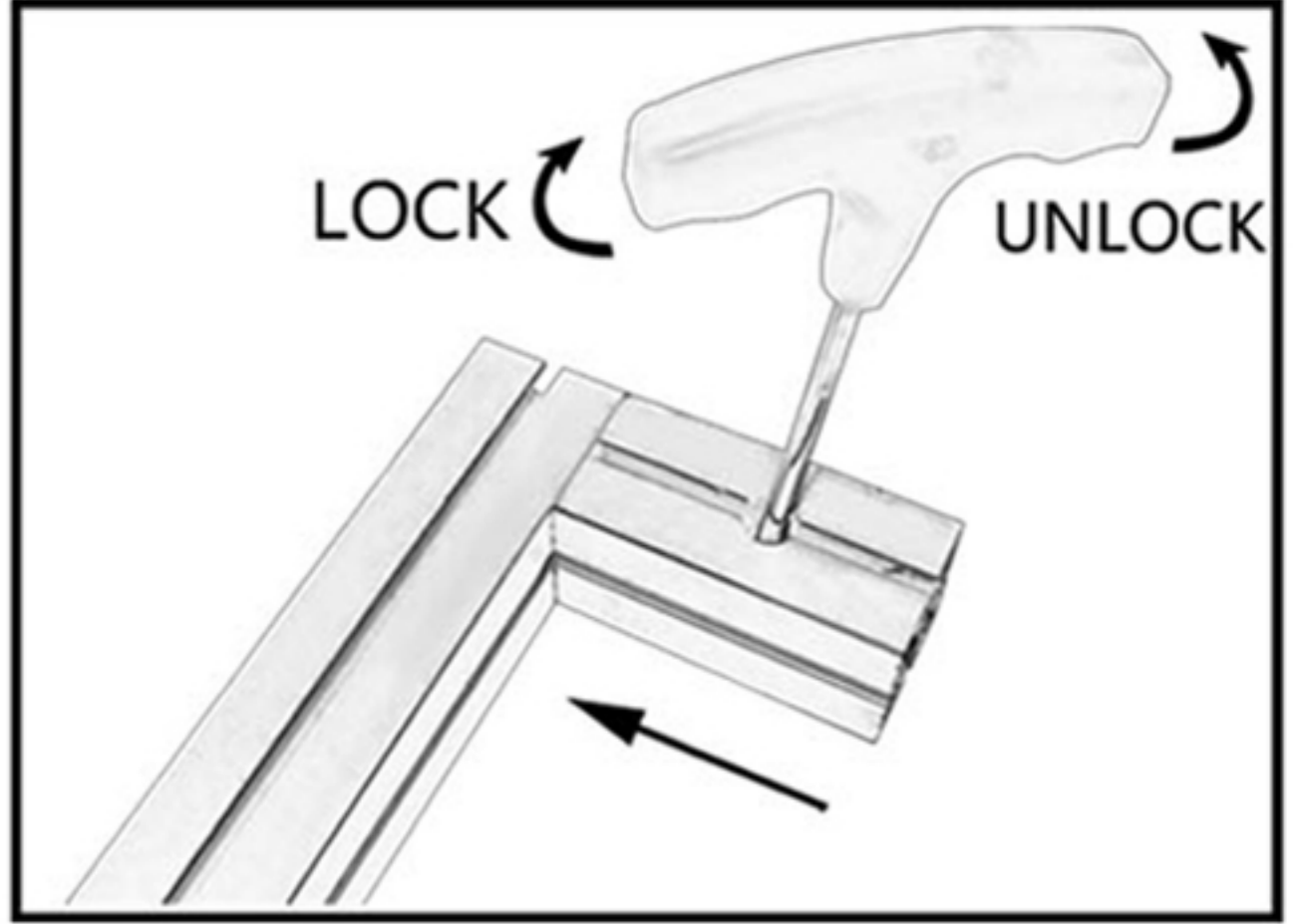
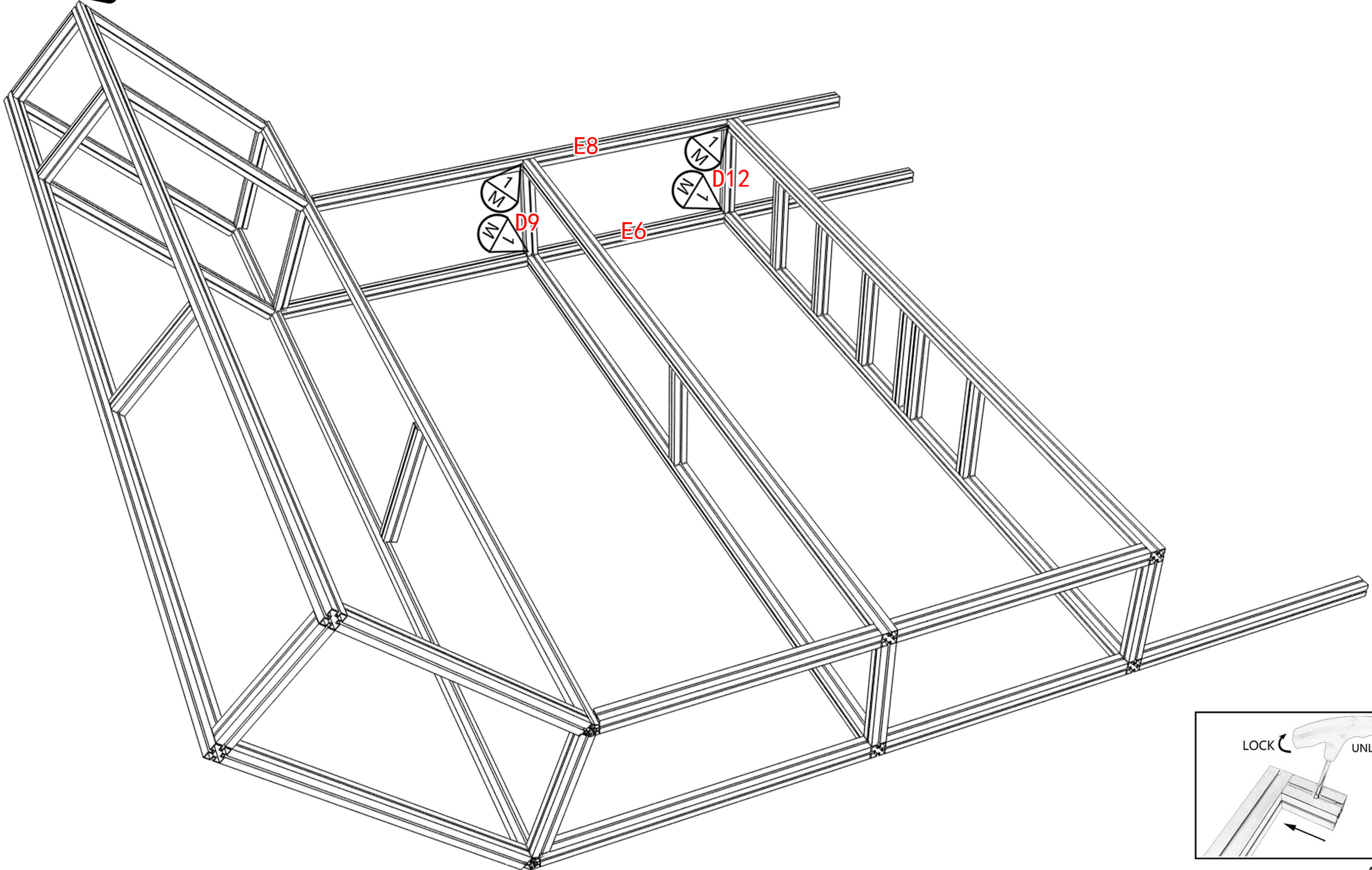
tawns®



40 square tube corner connection



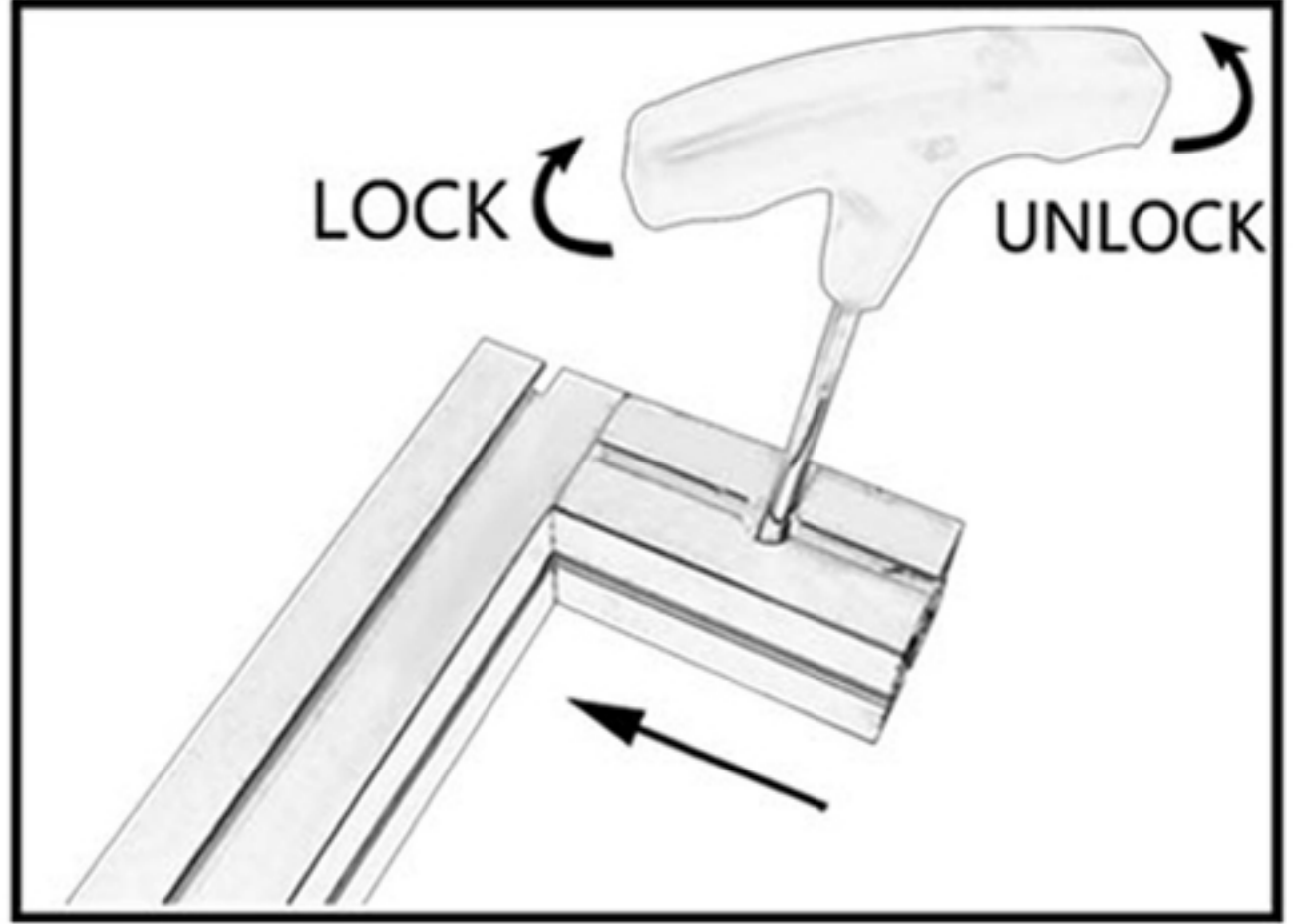
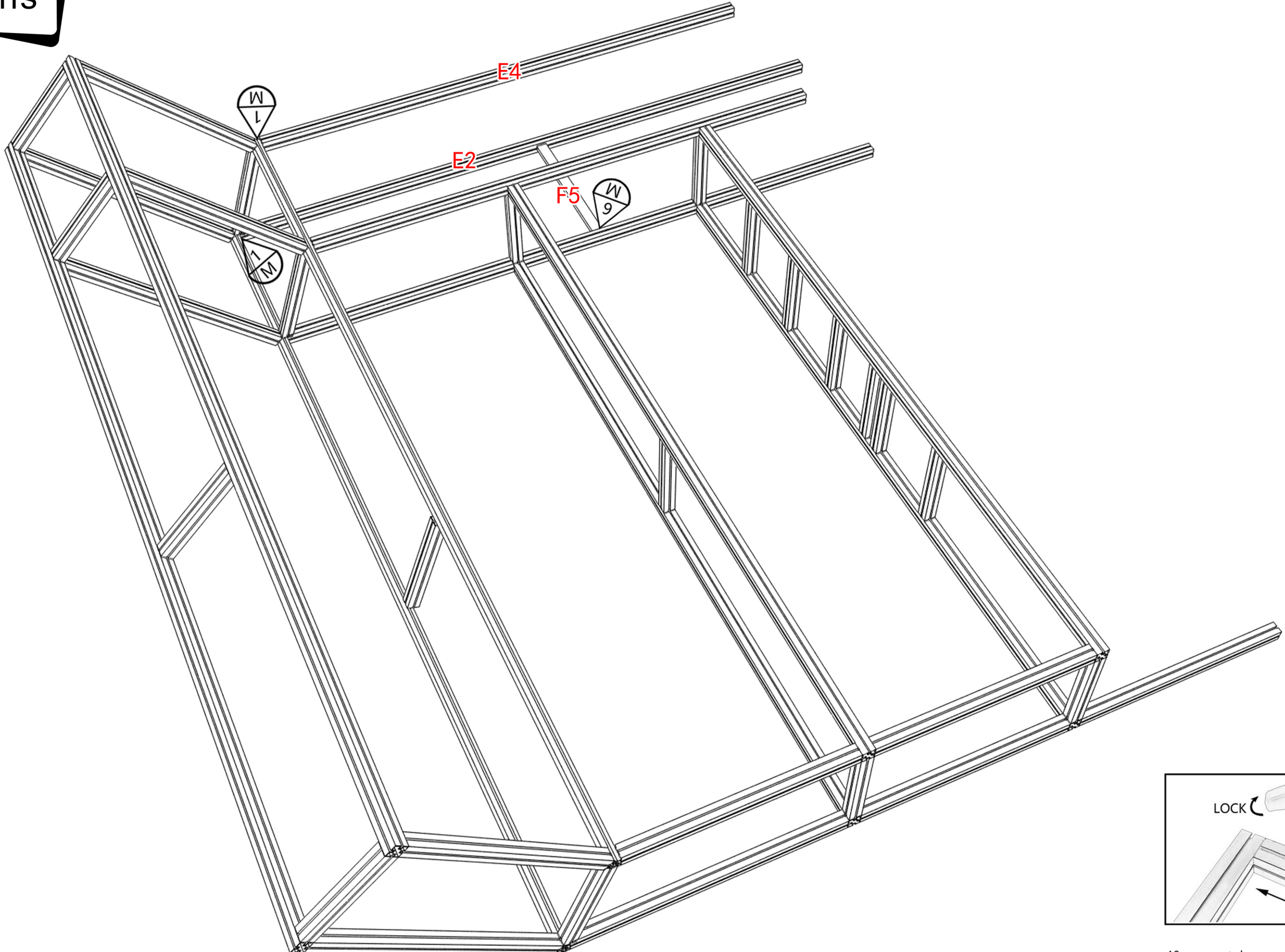
tawns®



40 square tube  
corner connection



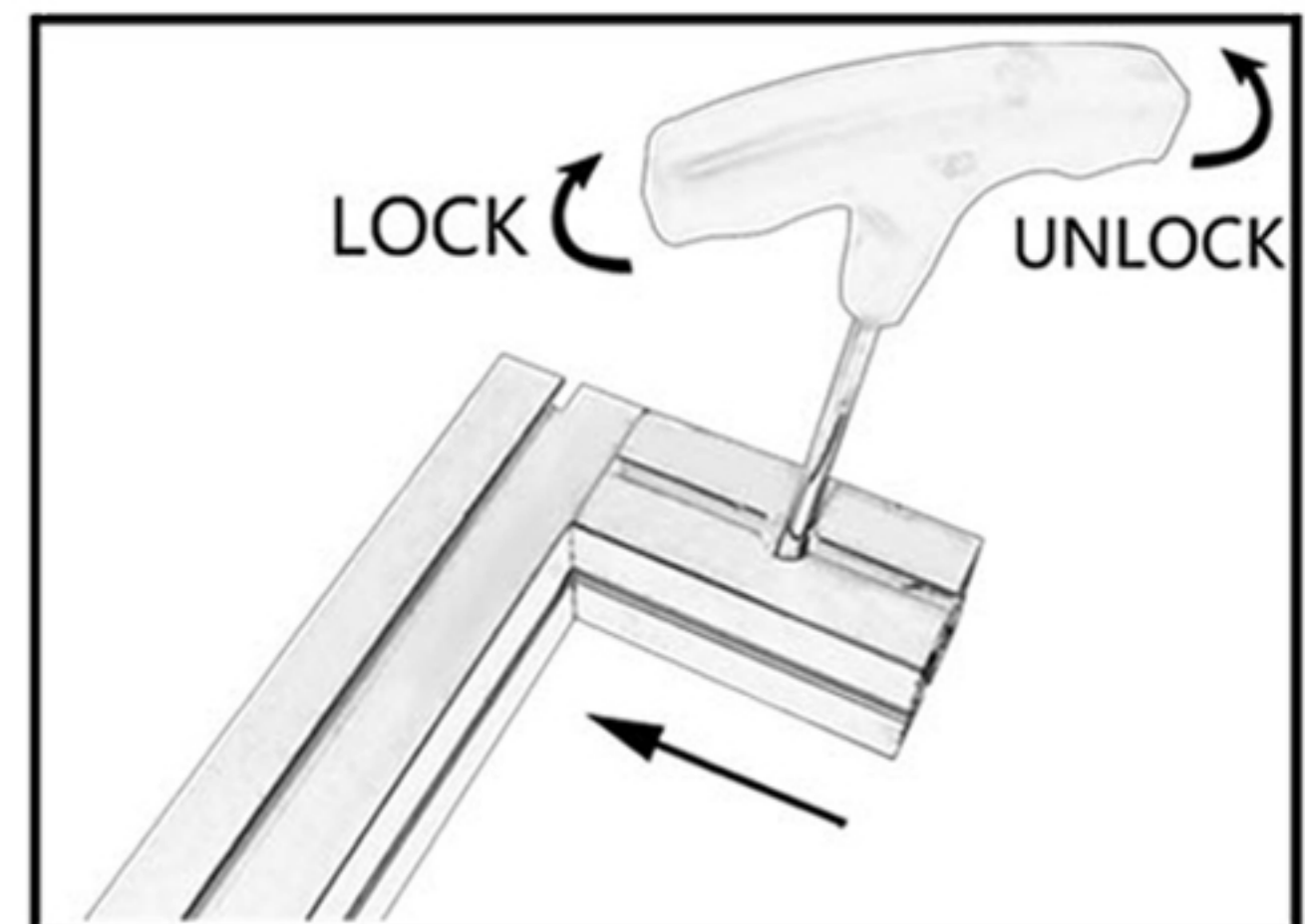
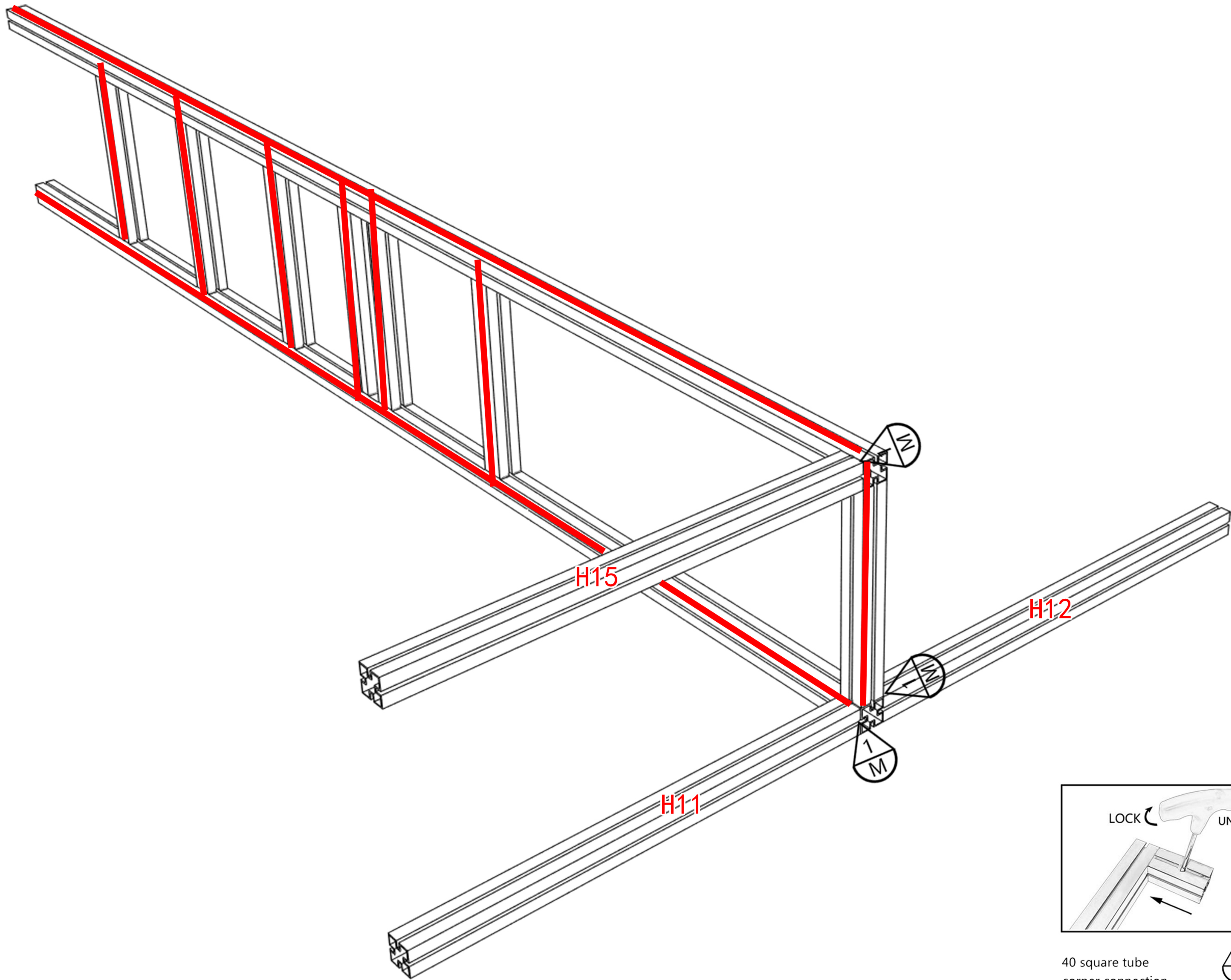
tawns®



40 square tube corner connection

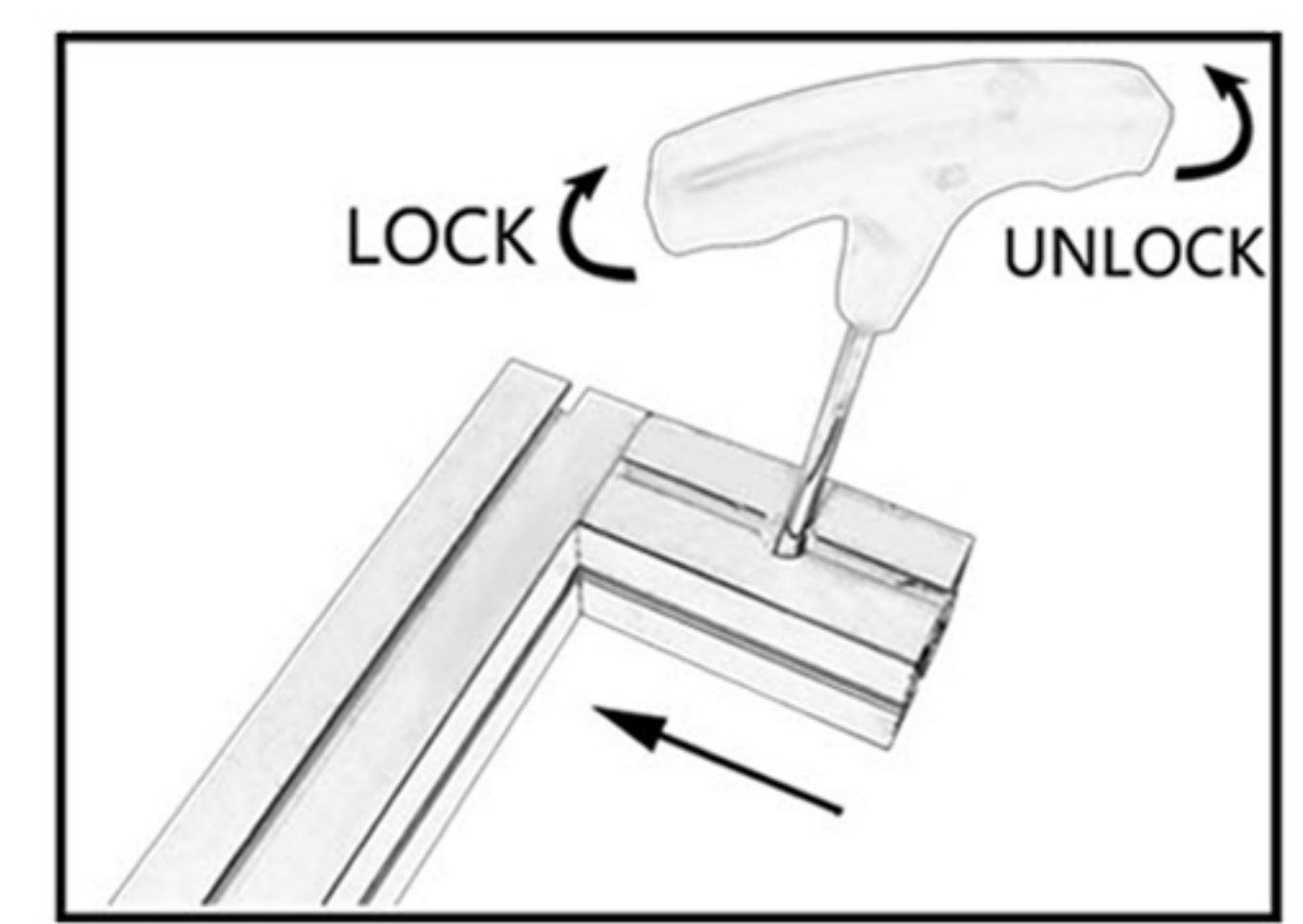
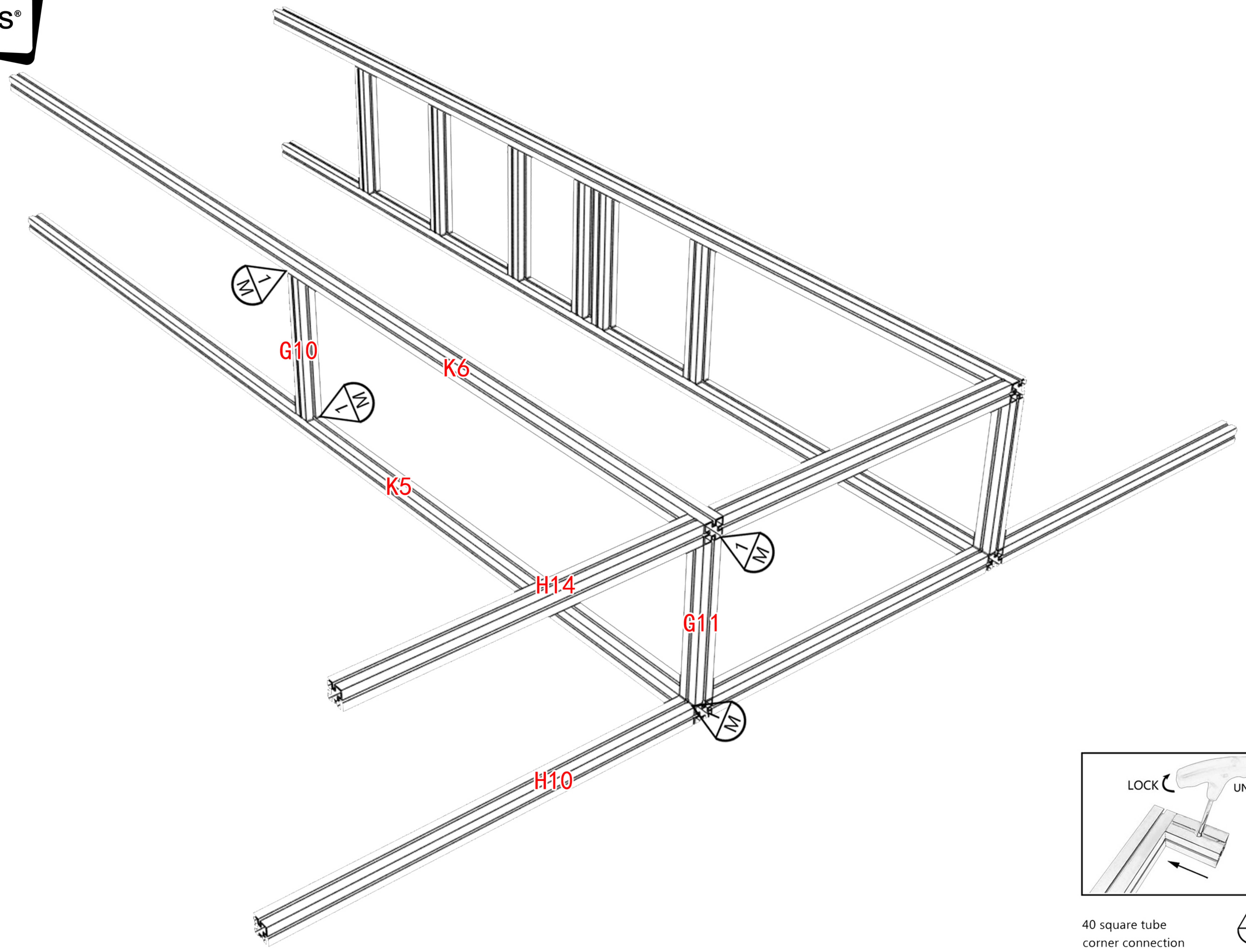
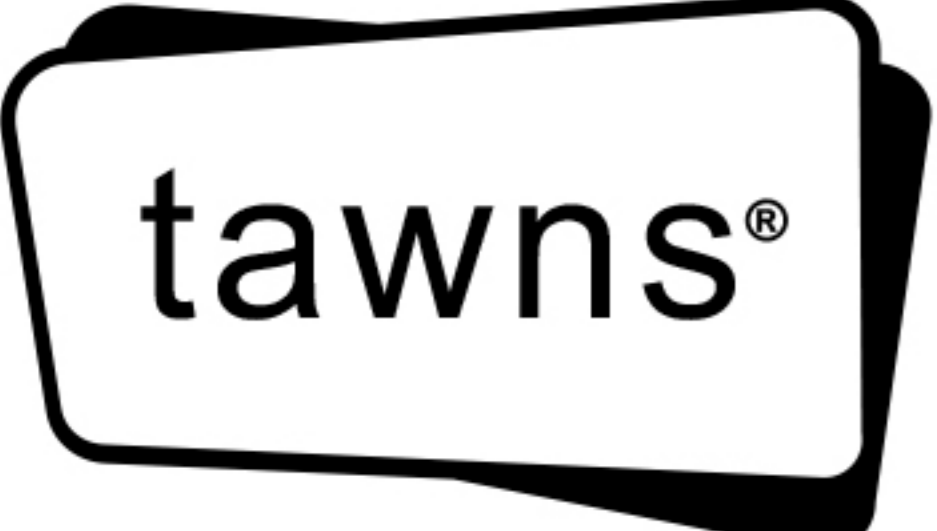






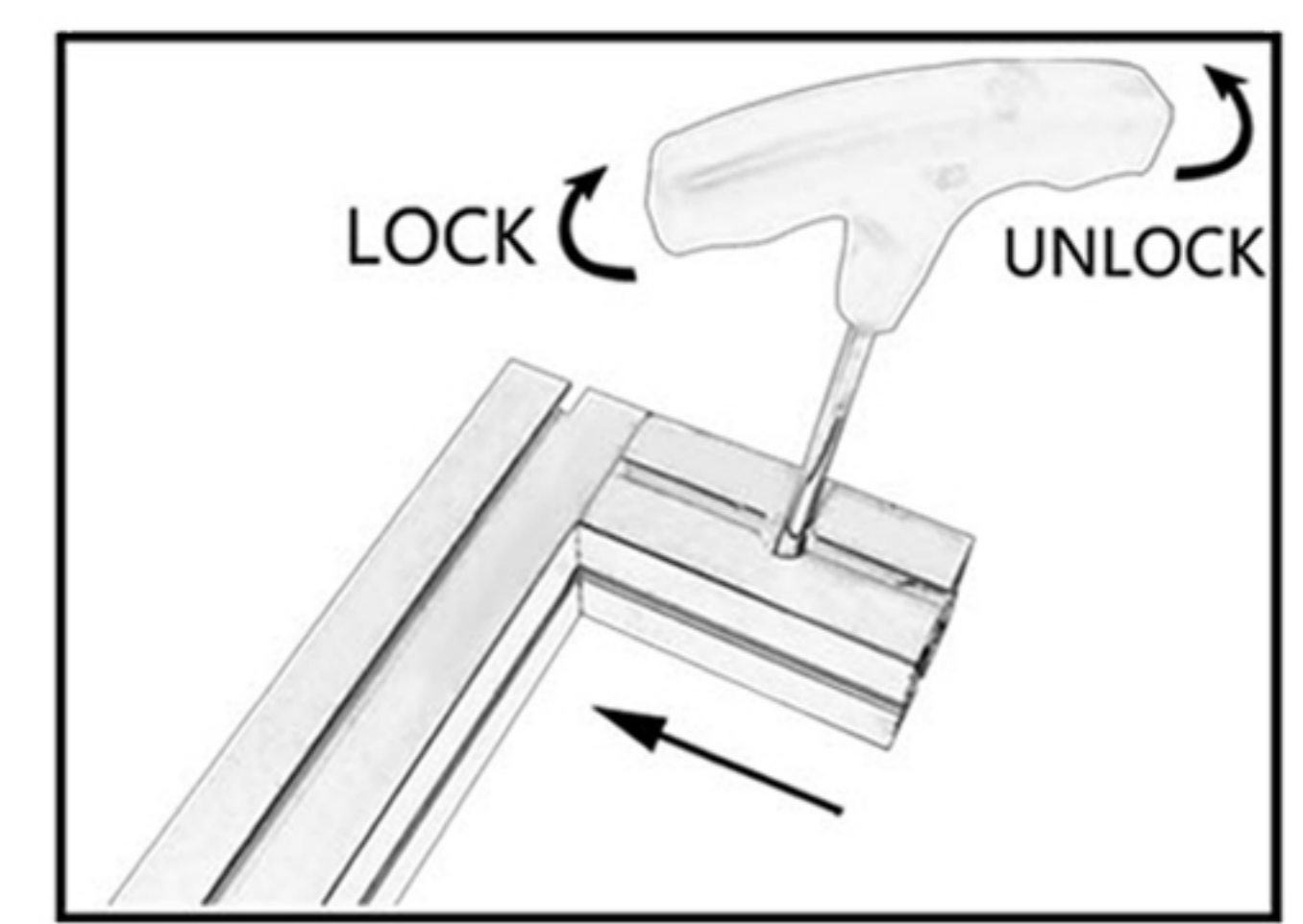
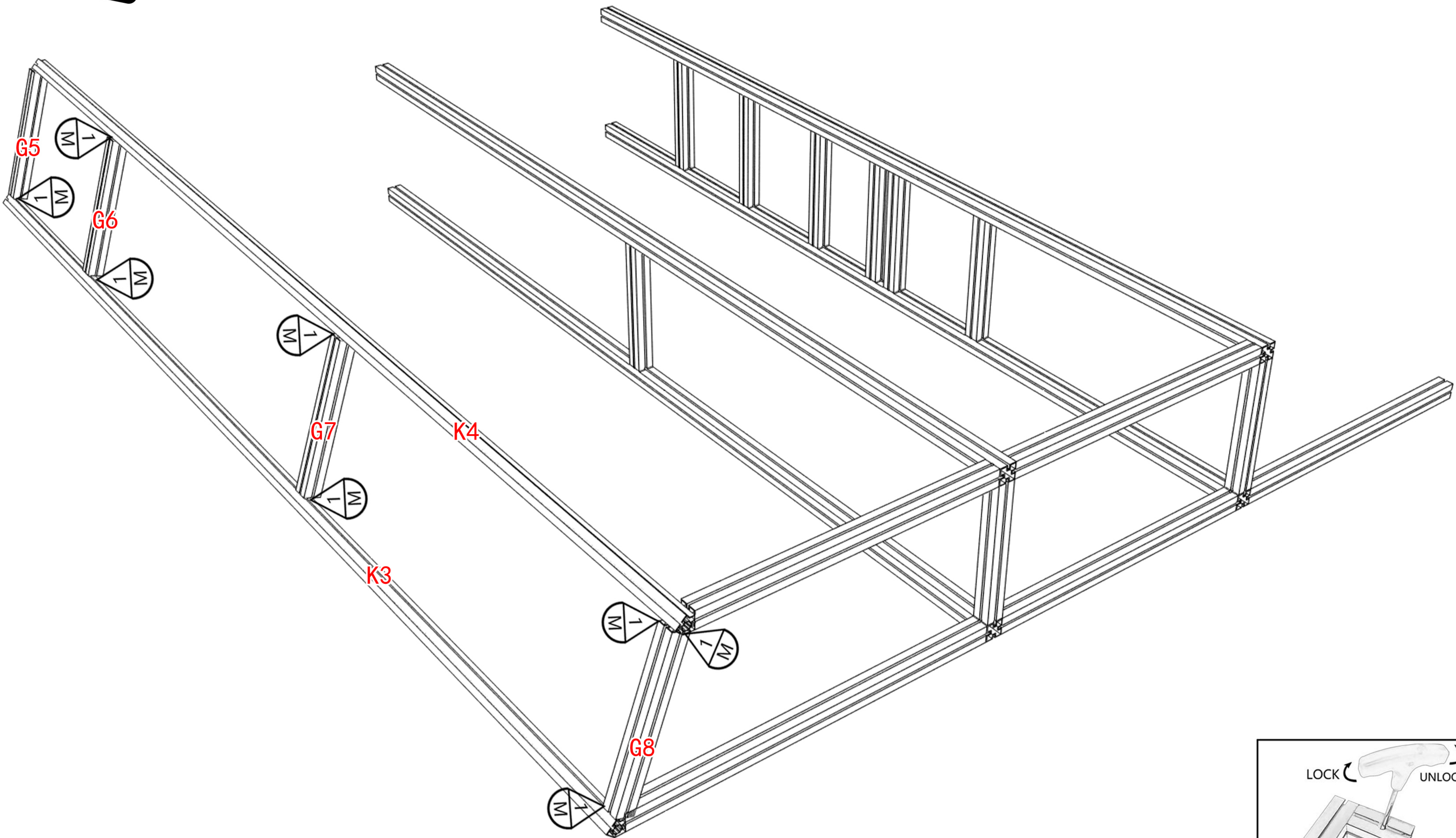
40 square tube corner connection





40 square tube corner connection

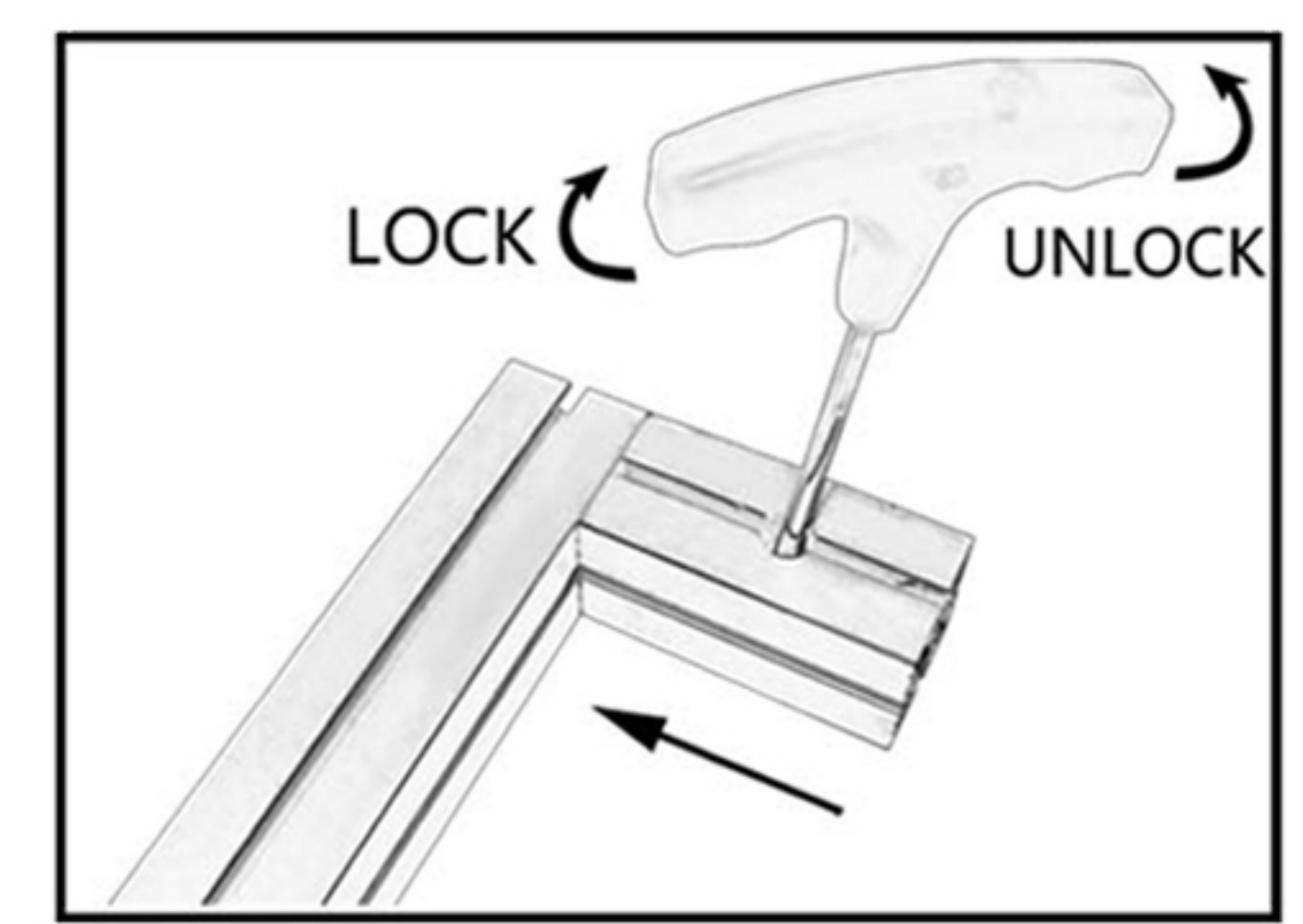
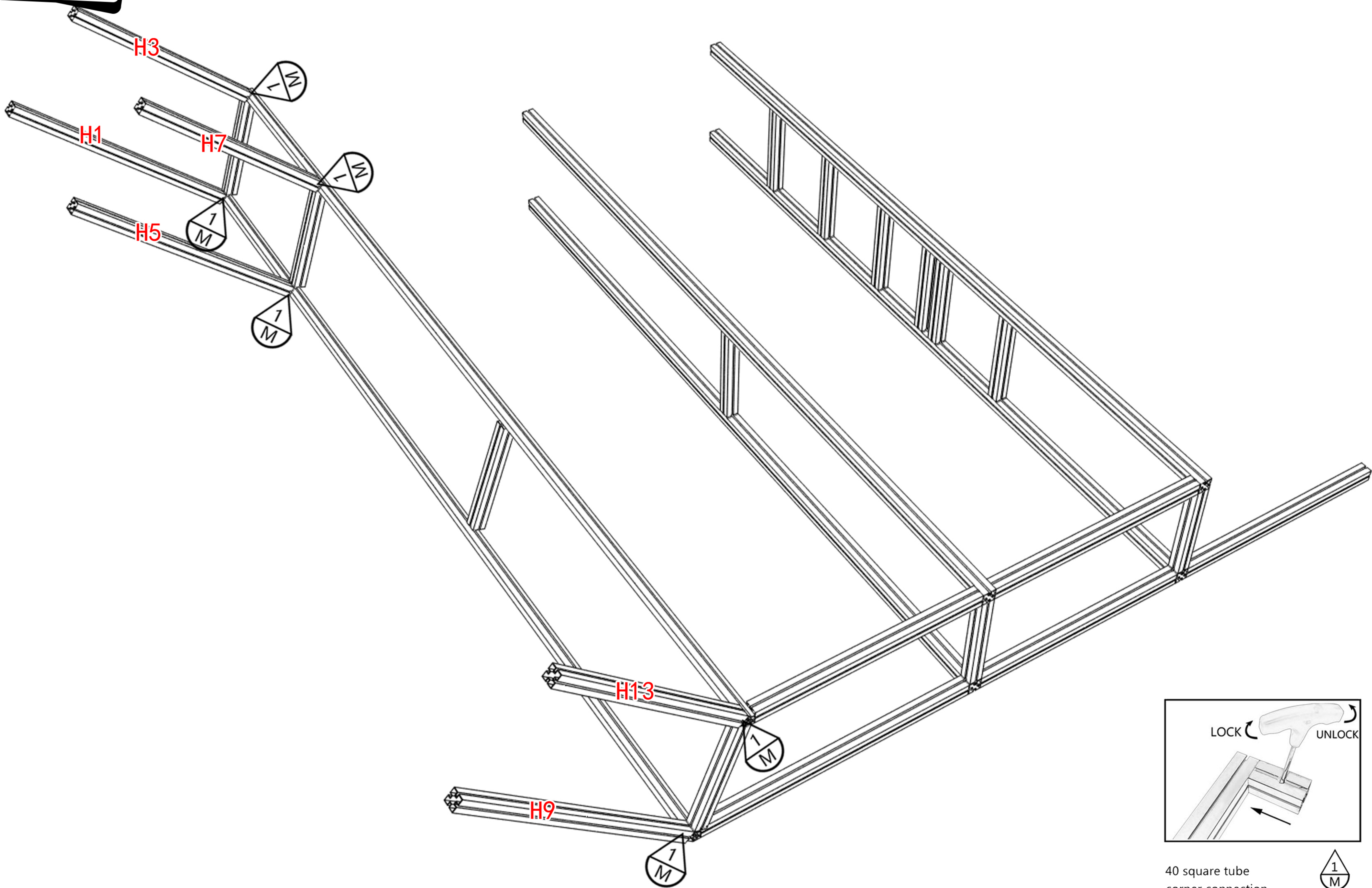




40 square tube corner connection



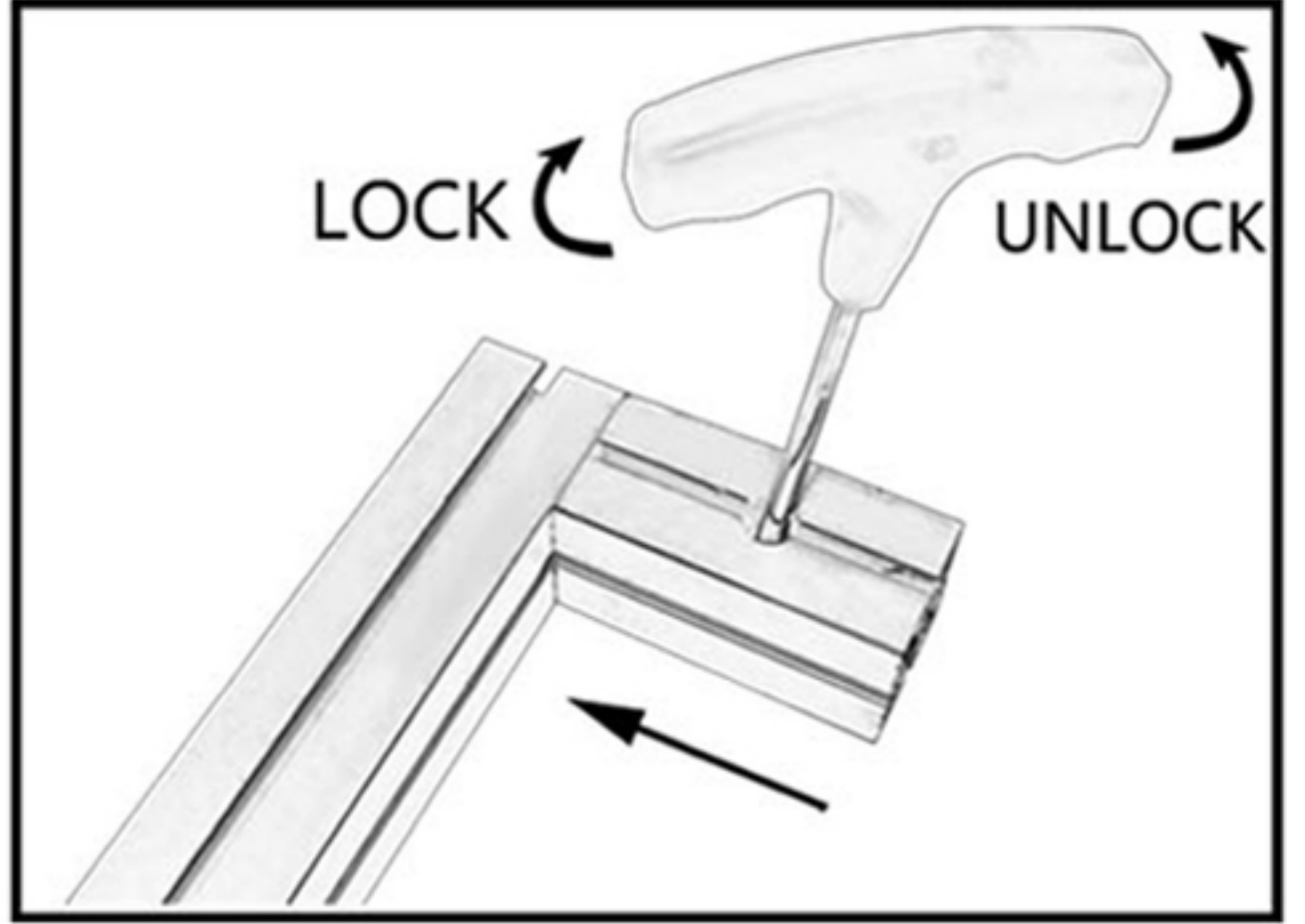
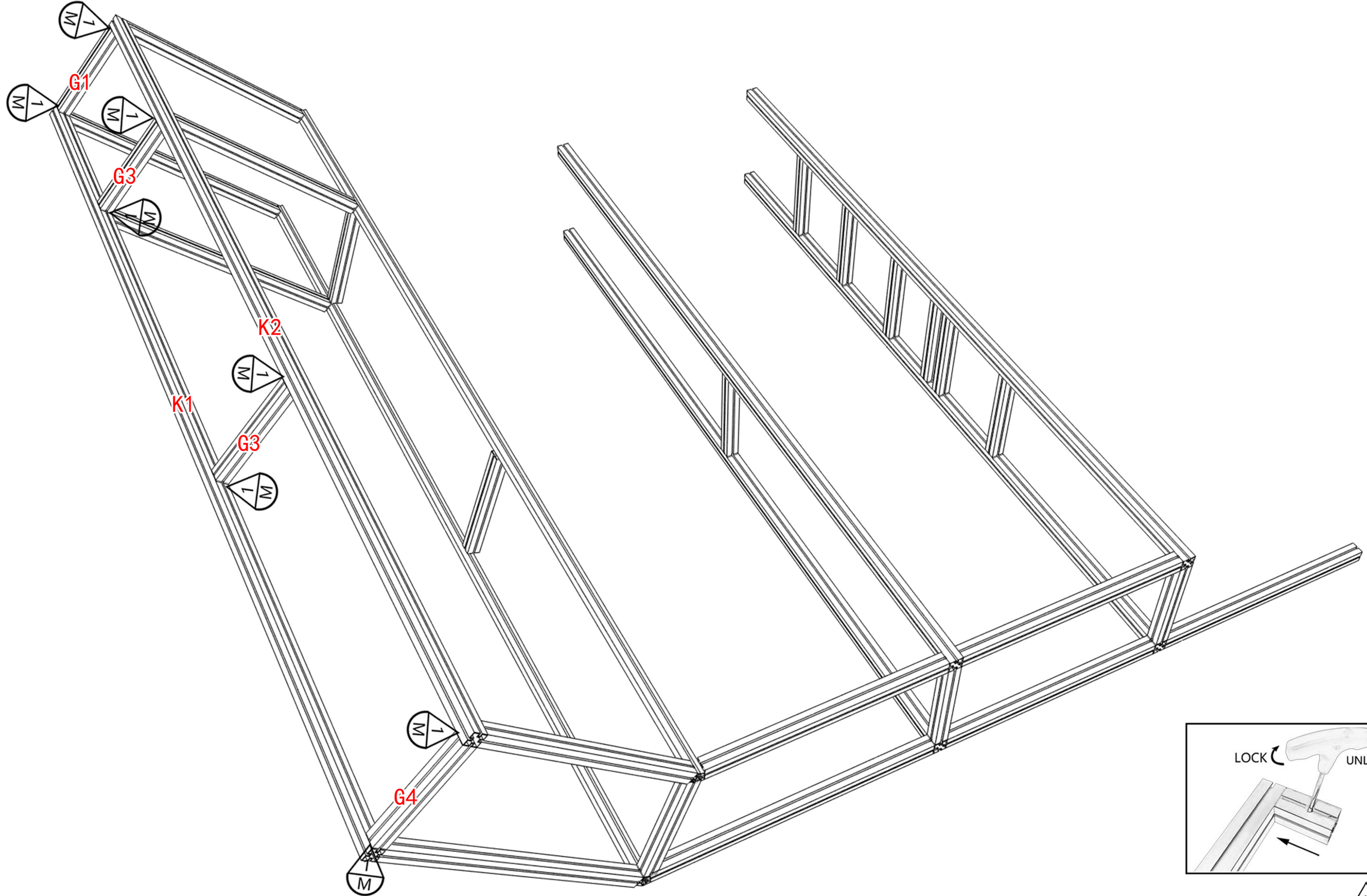
tawns®



40 square tube corner connection



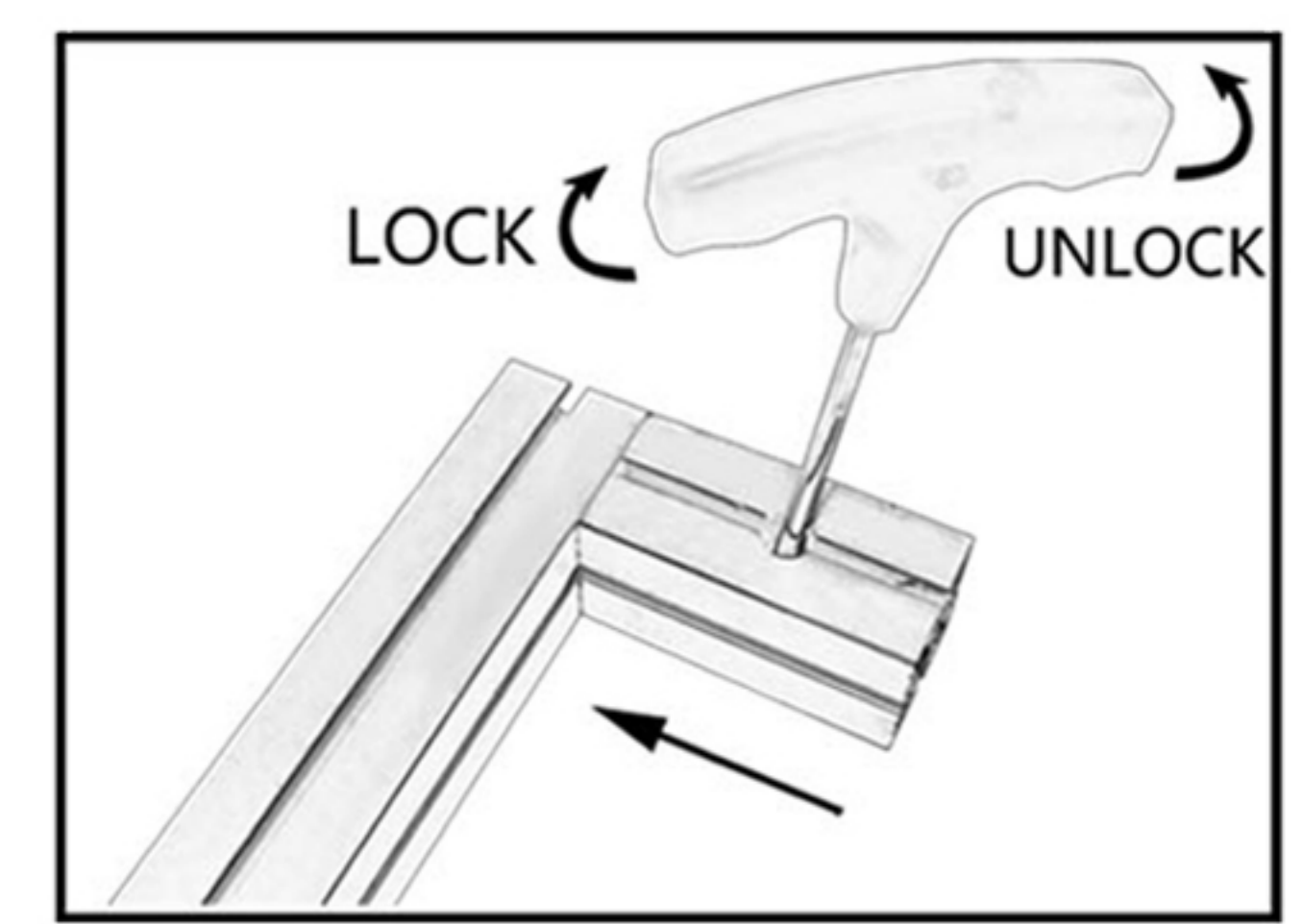
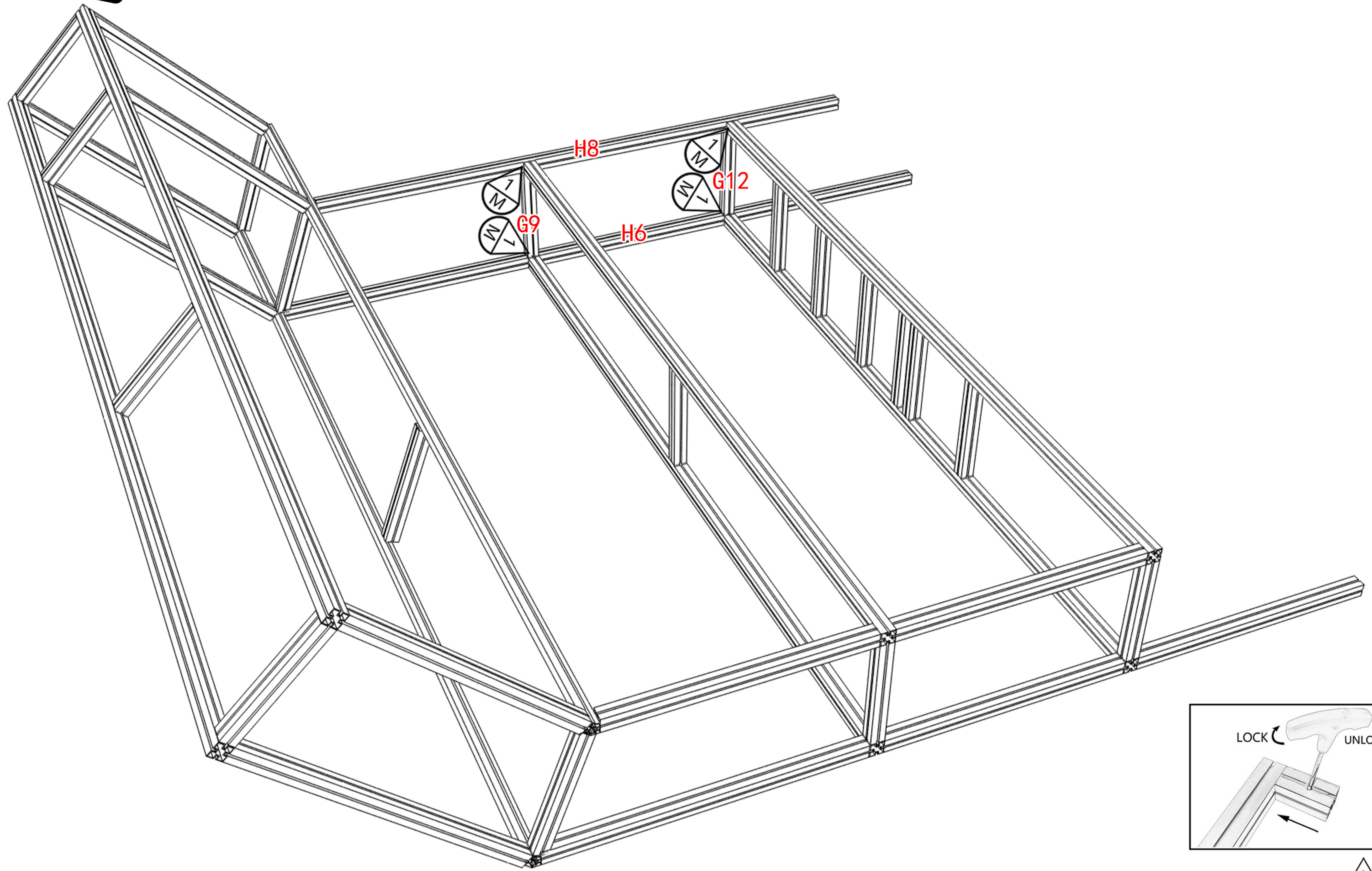
tawns®



40 square tube corner connection



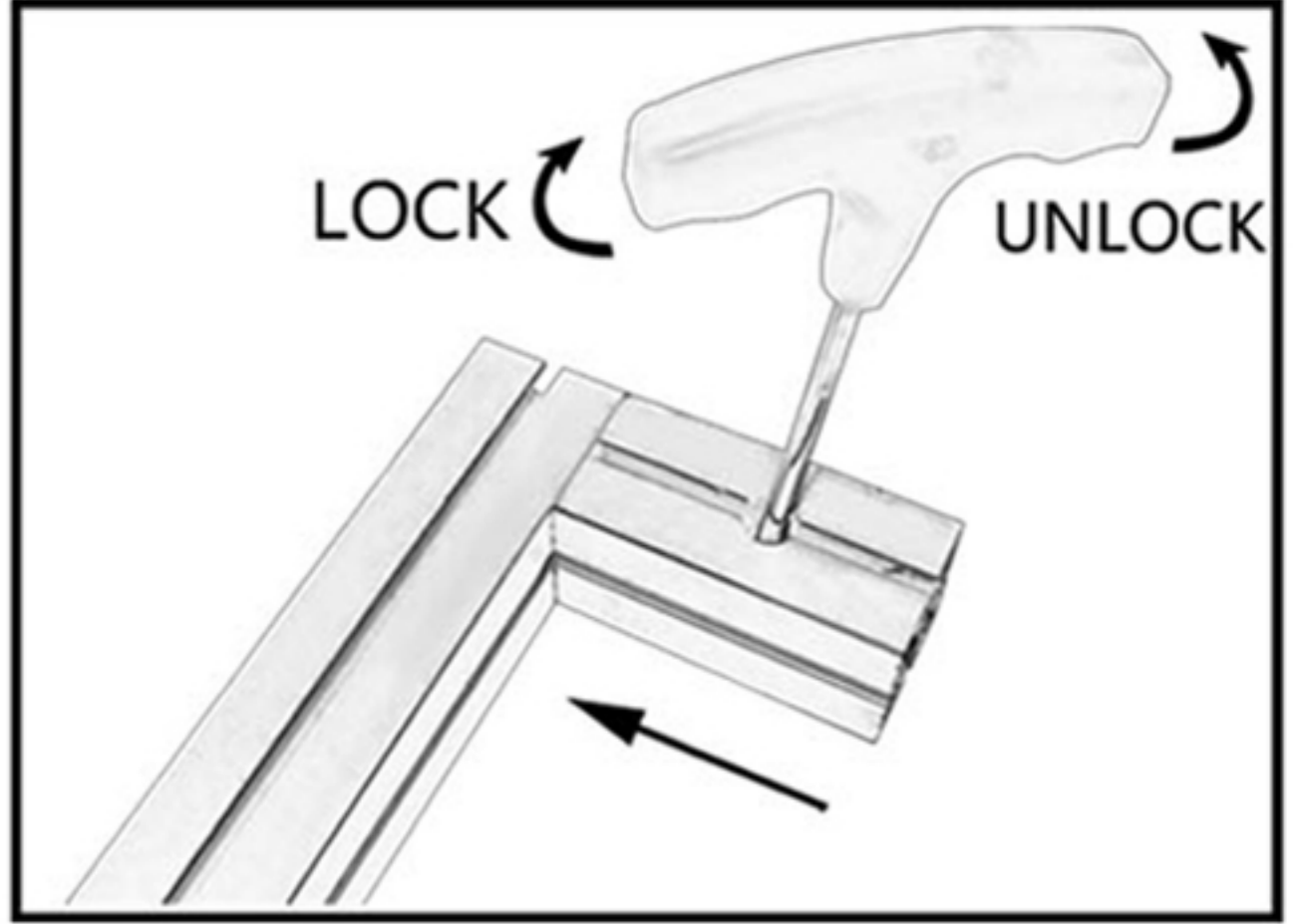
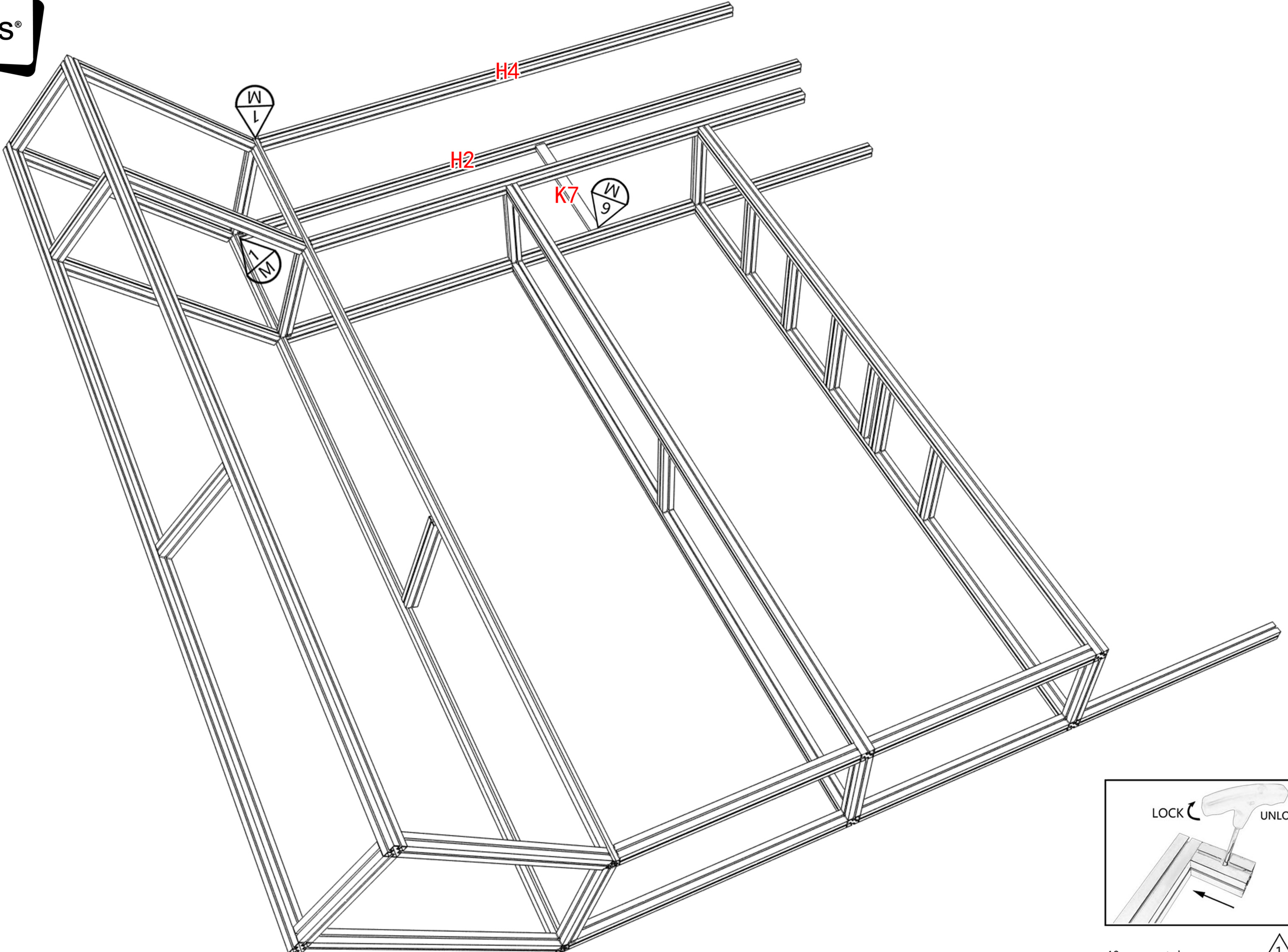
tawns®



40 square tube corner connection

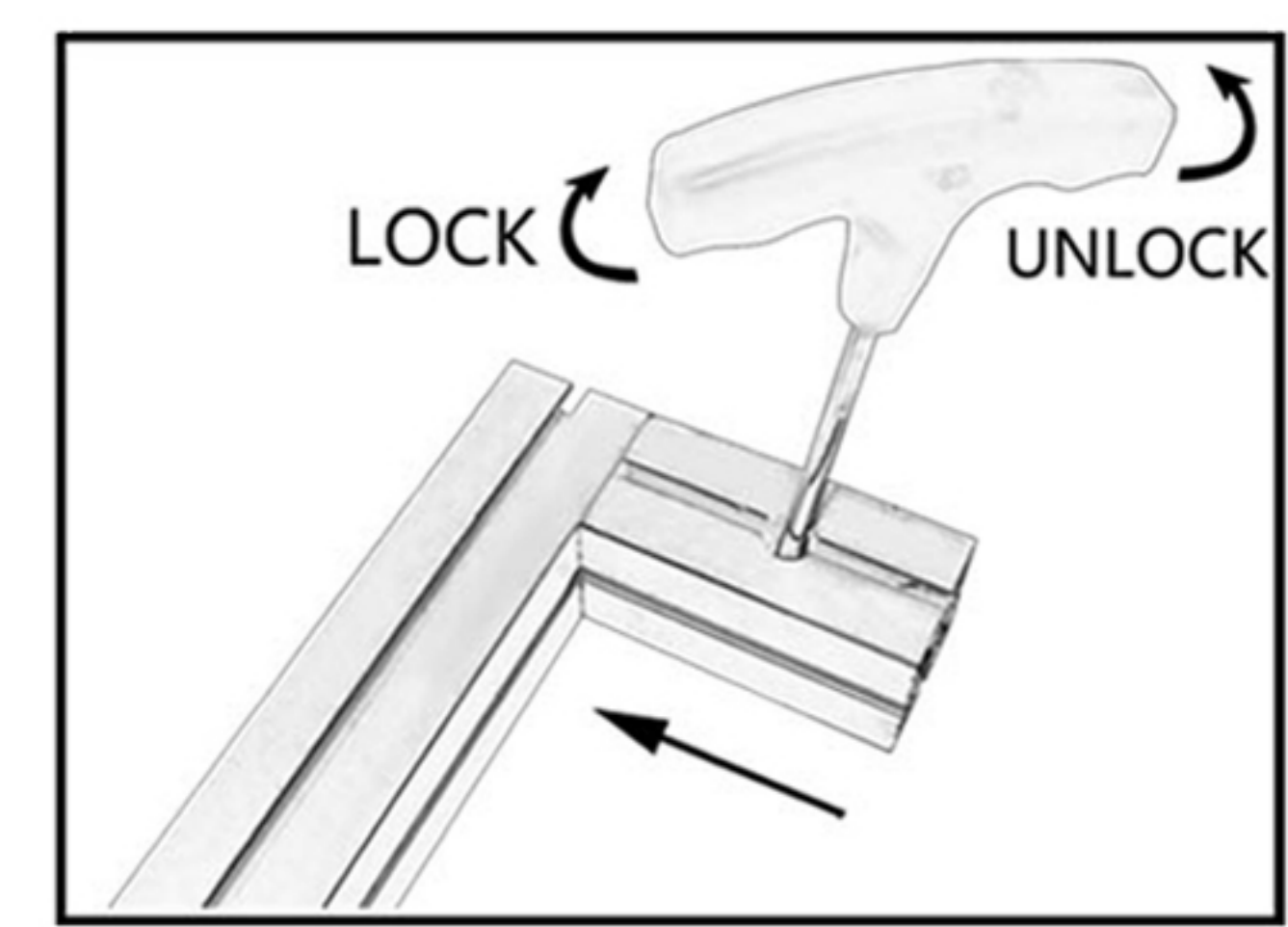
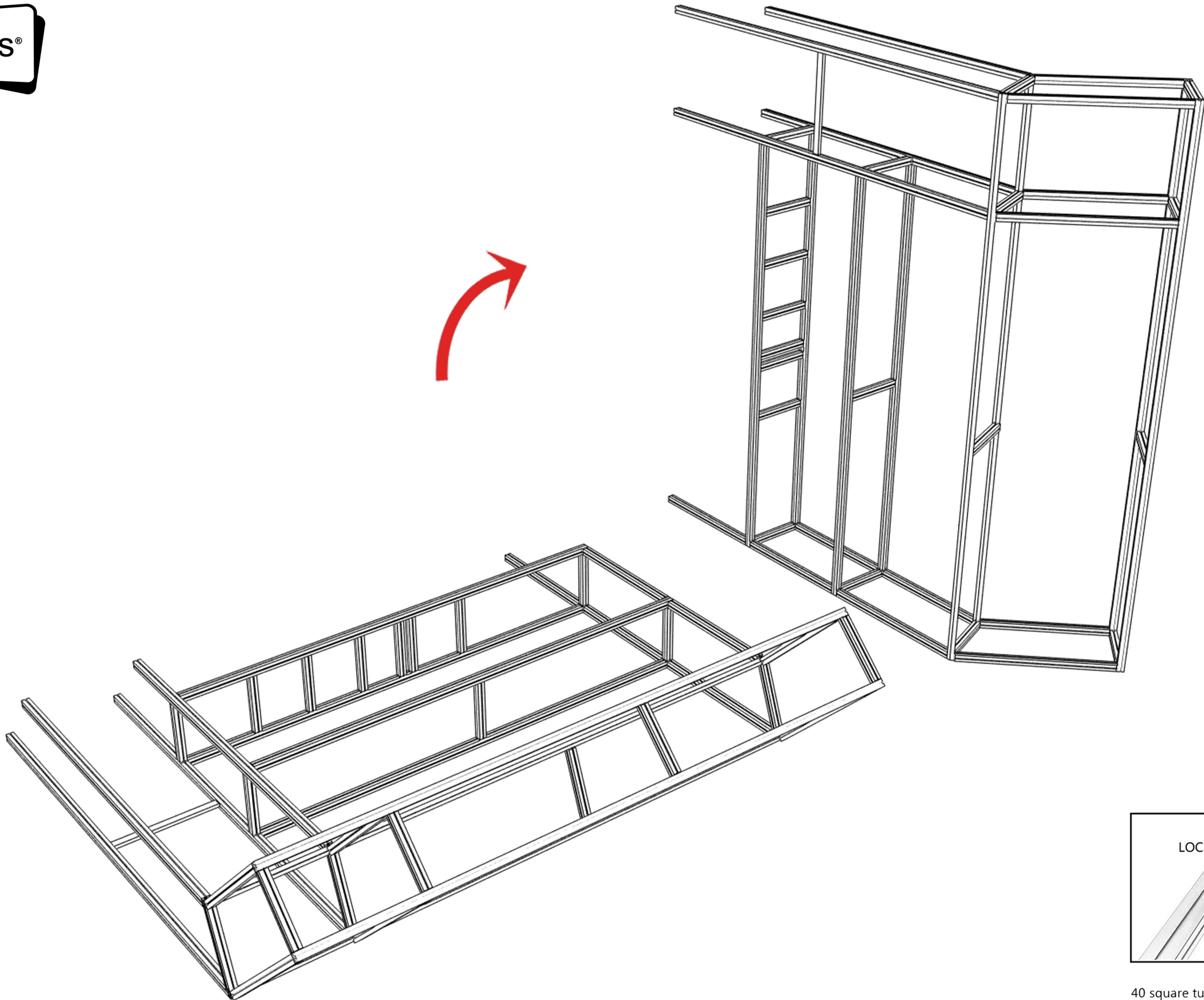


tawns®



40 square tube corner connection



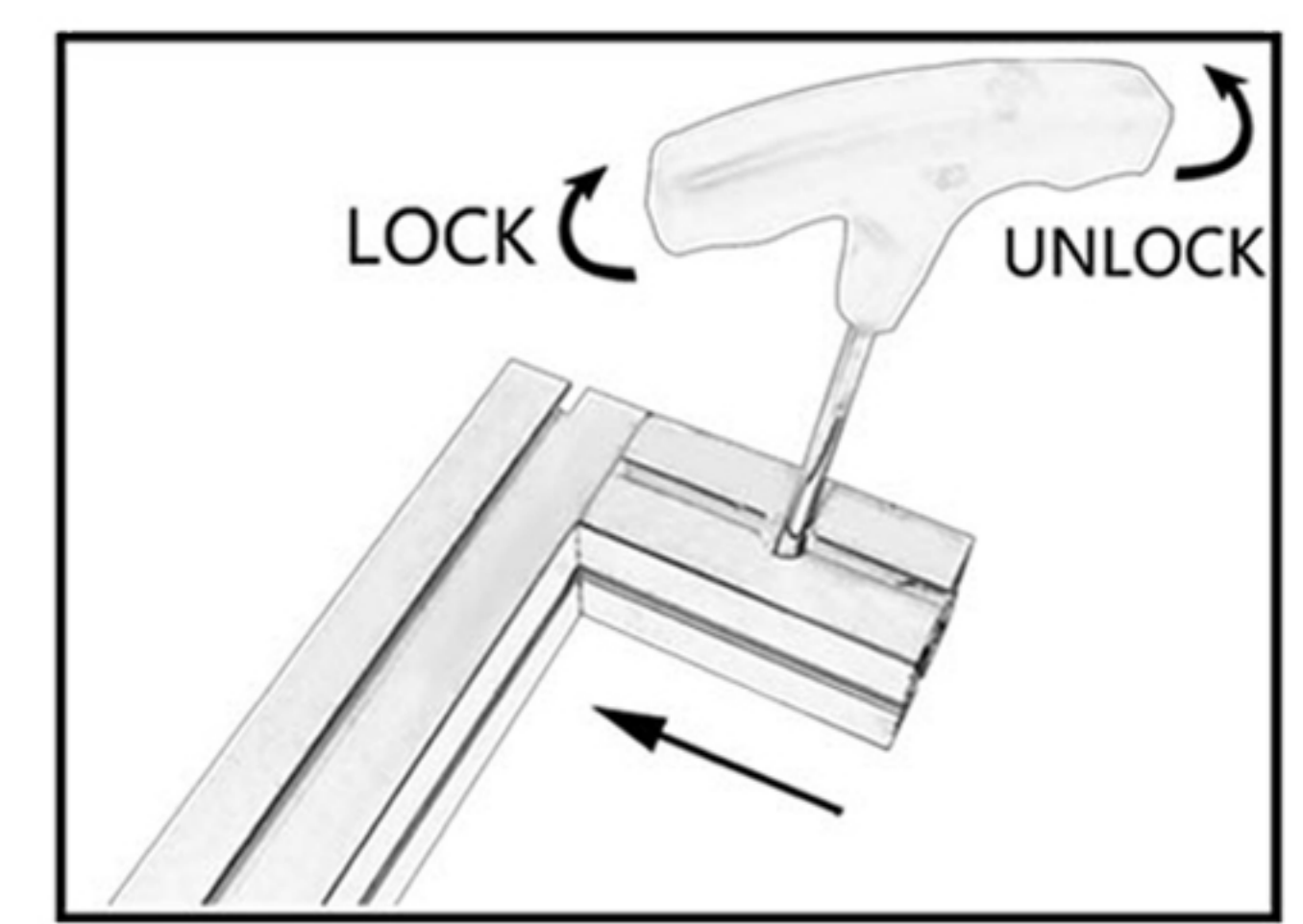
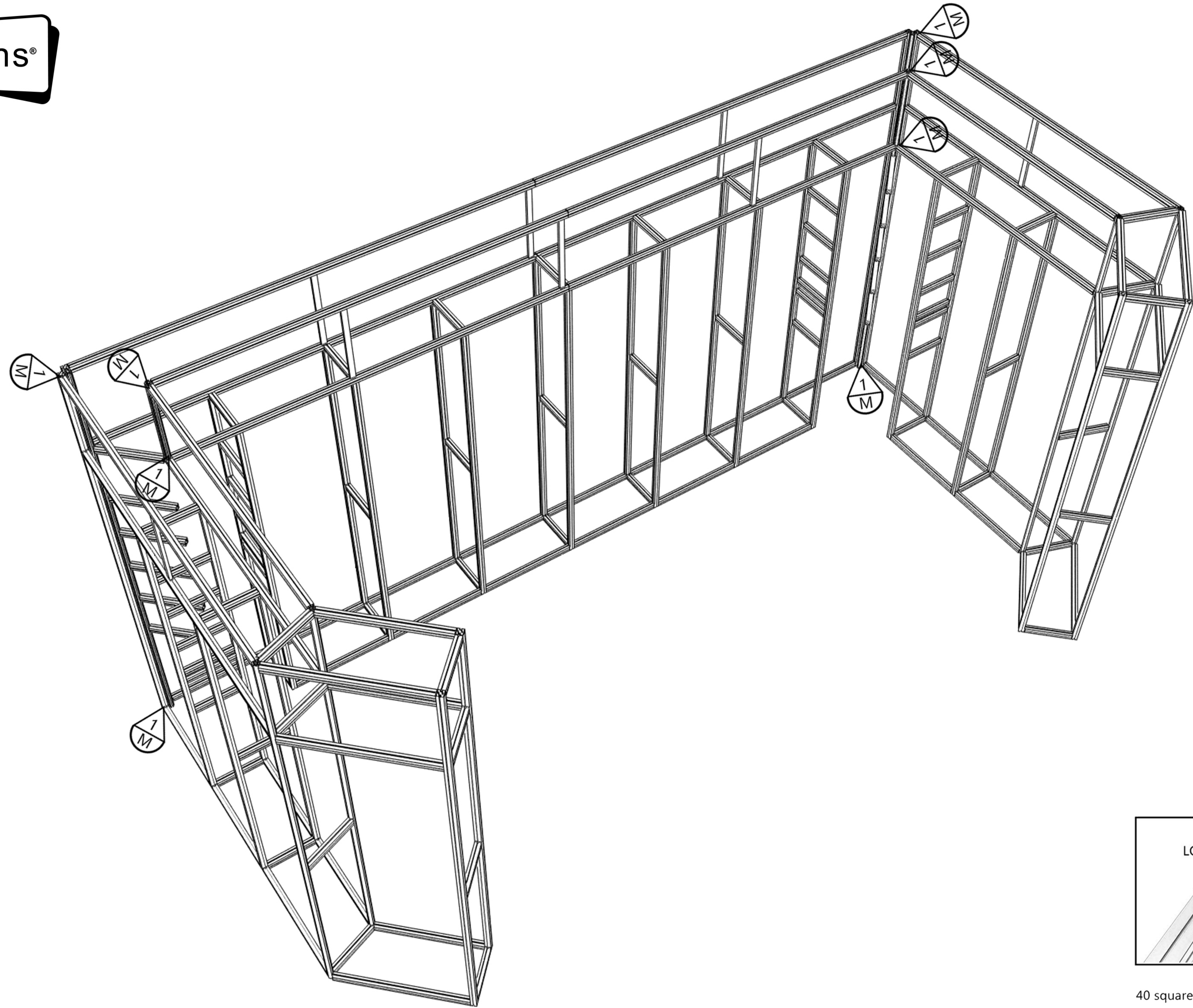


40 square tube corner connection



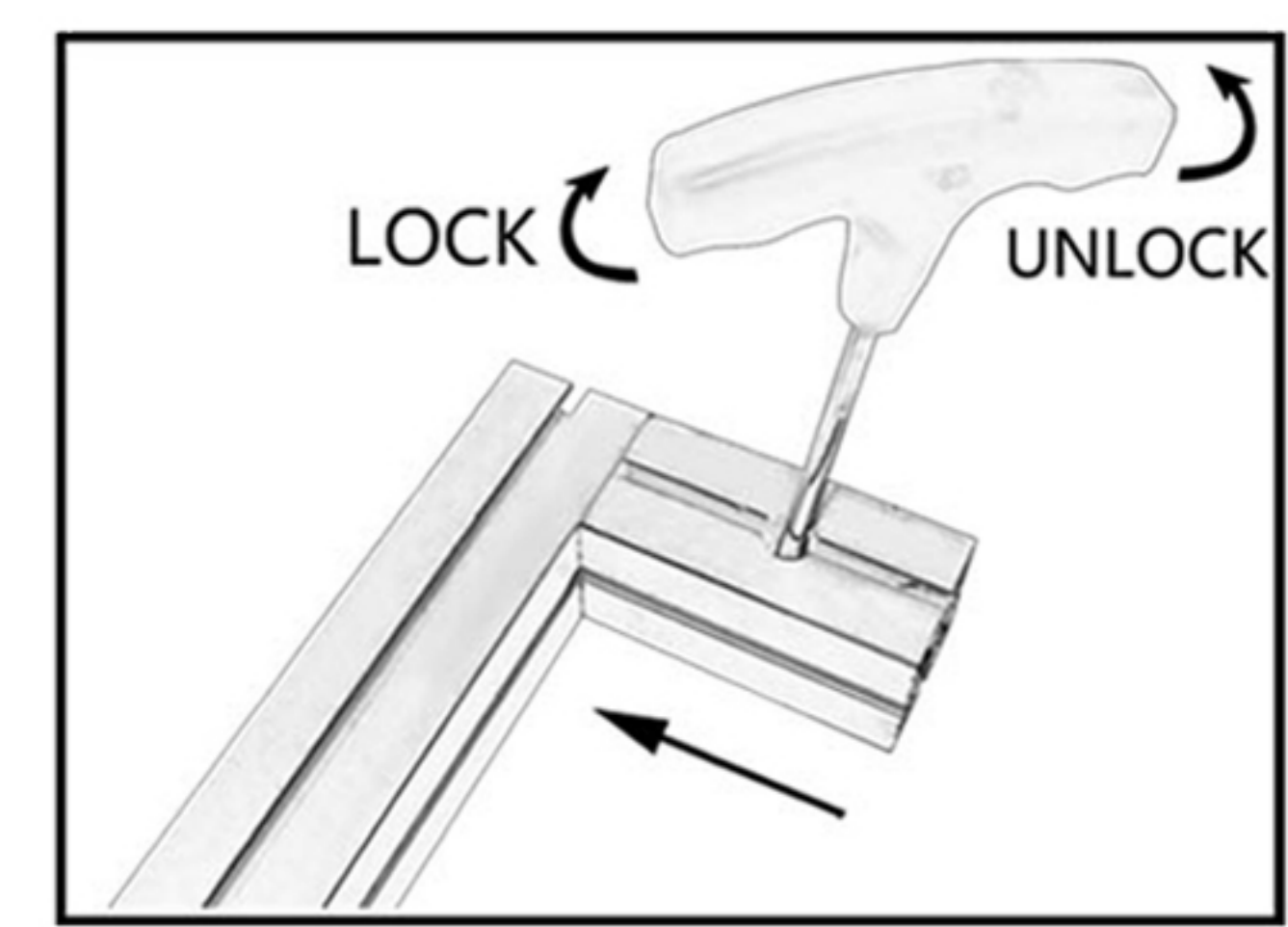
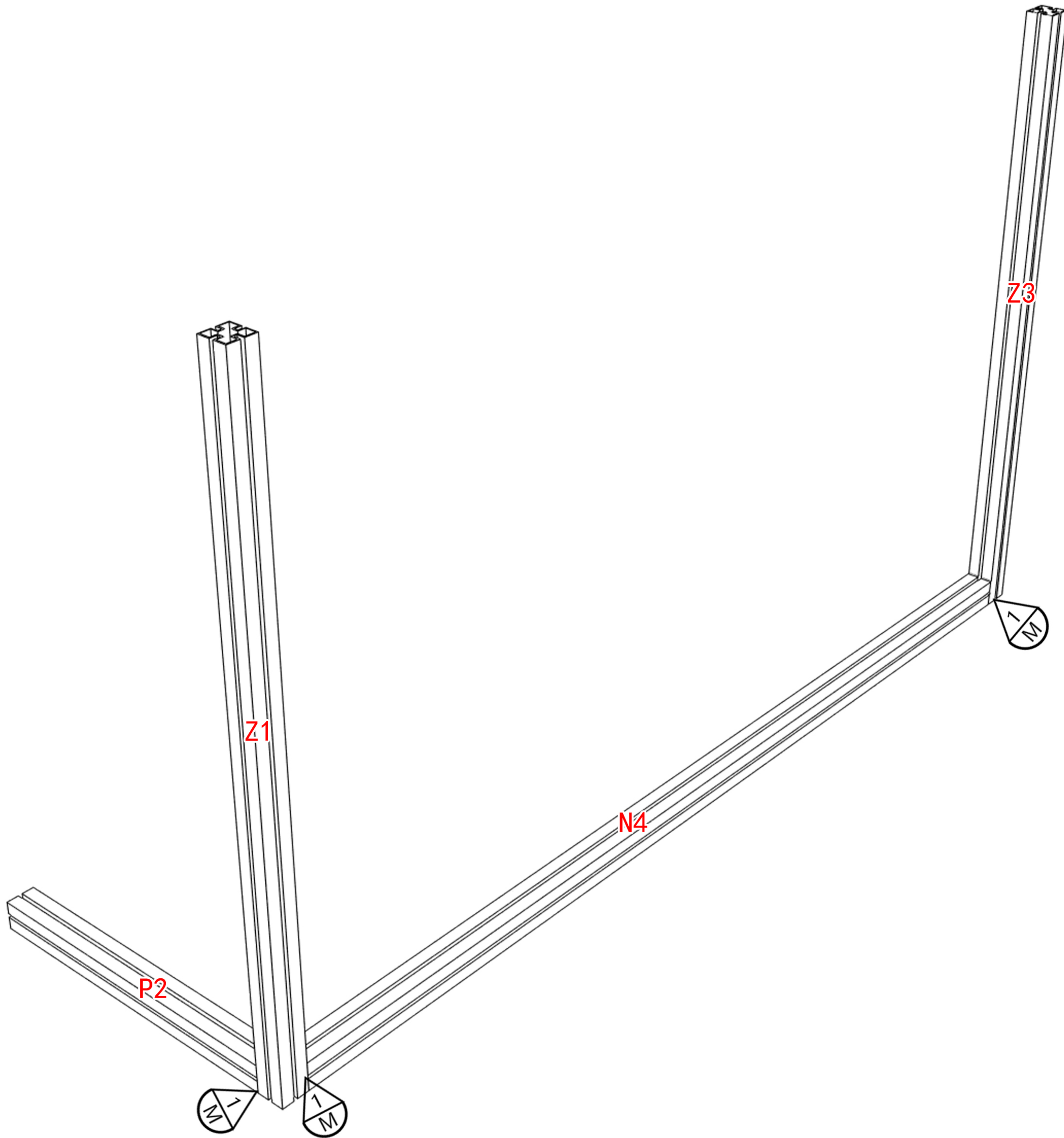


tawns®



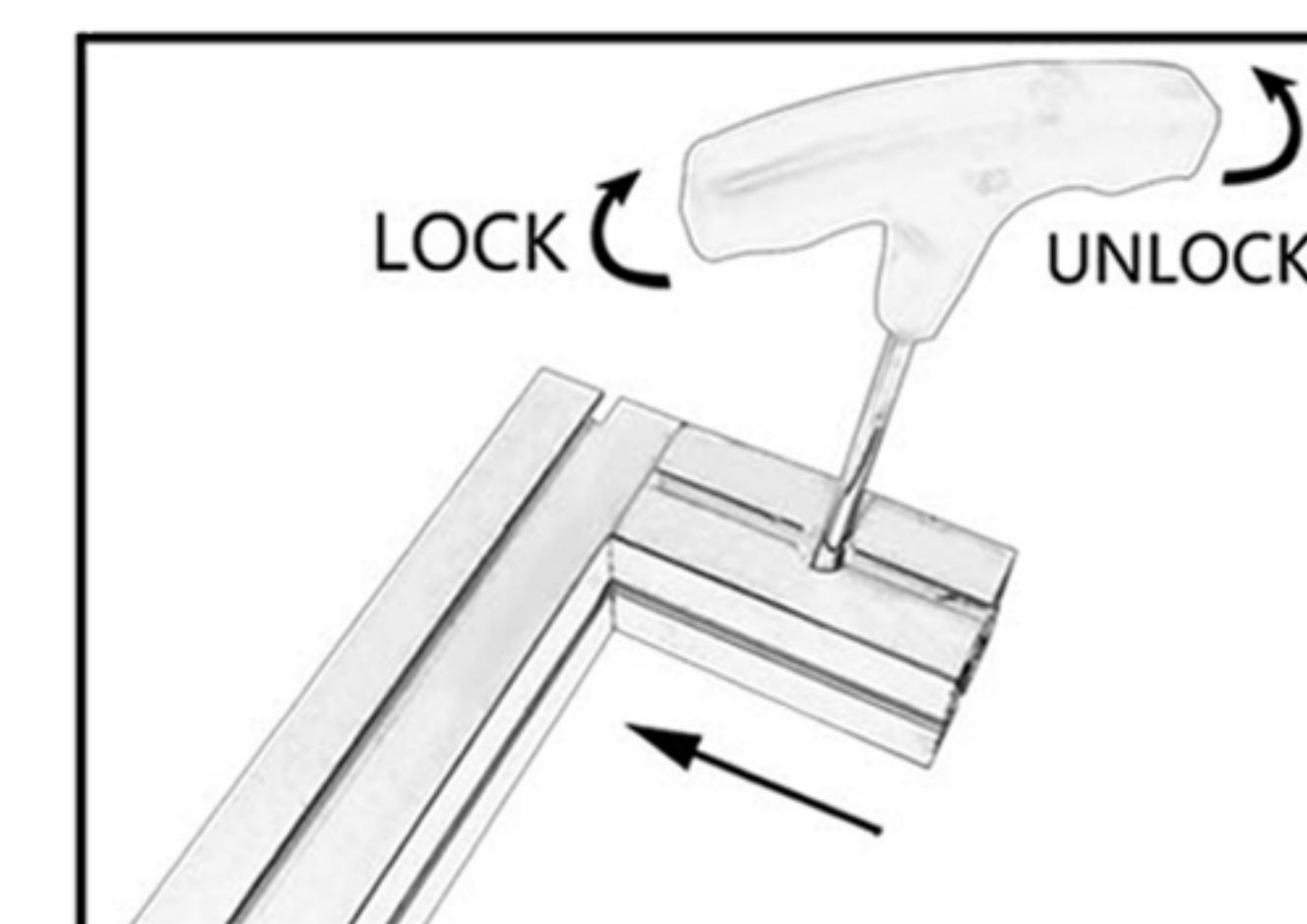
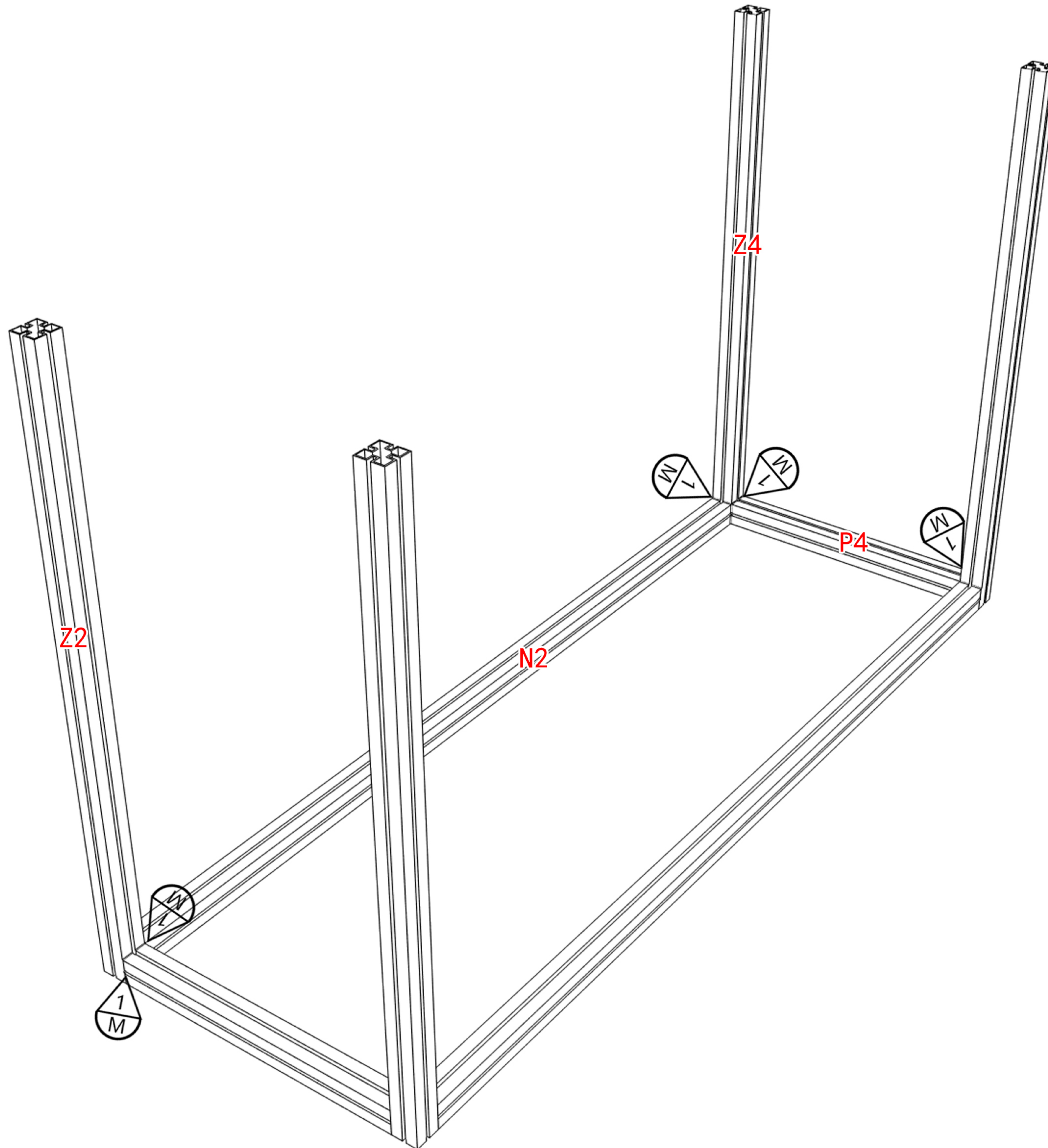
40 square tube corner connection





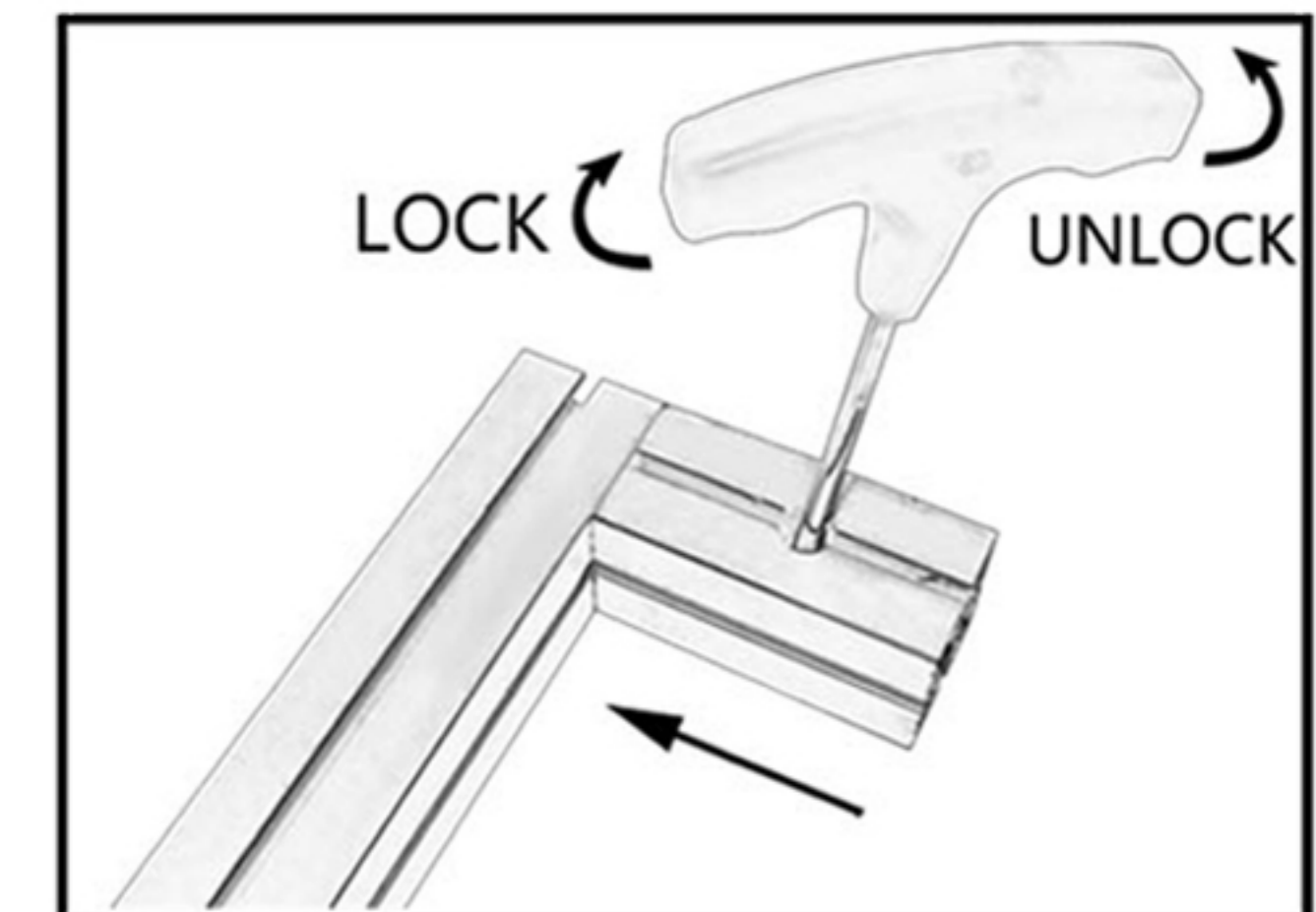
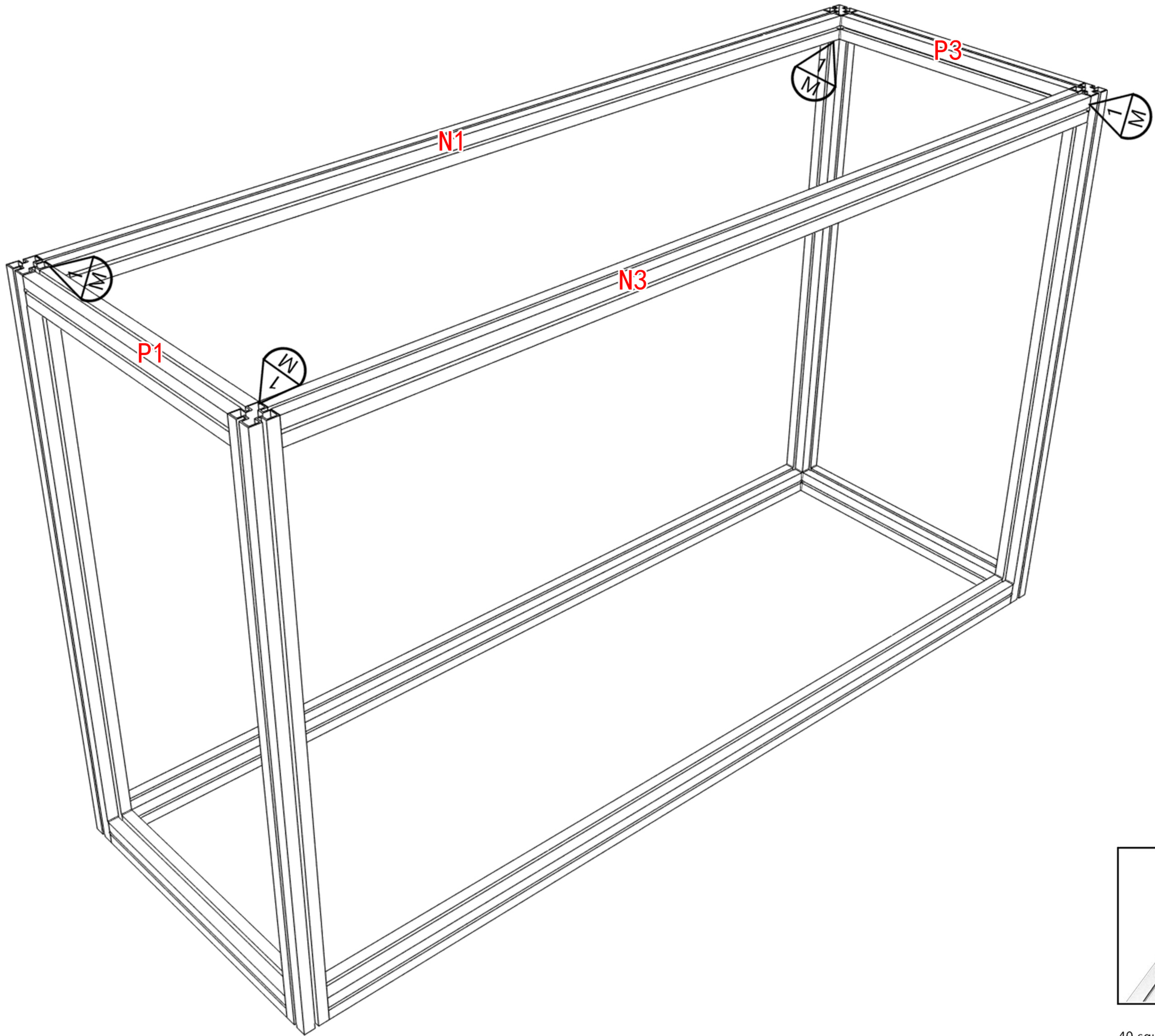
40 square tube corner connection





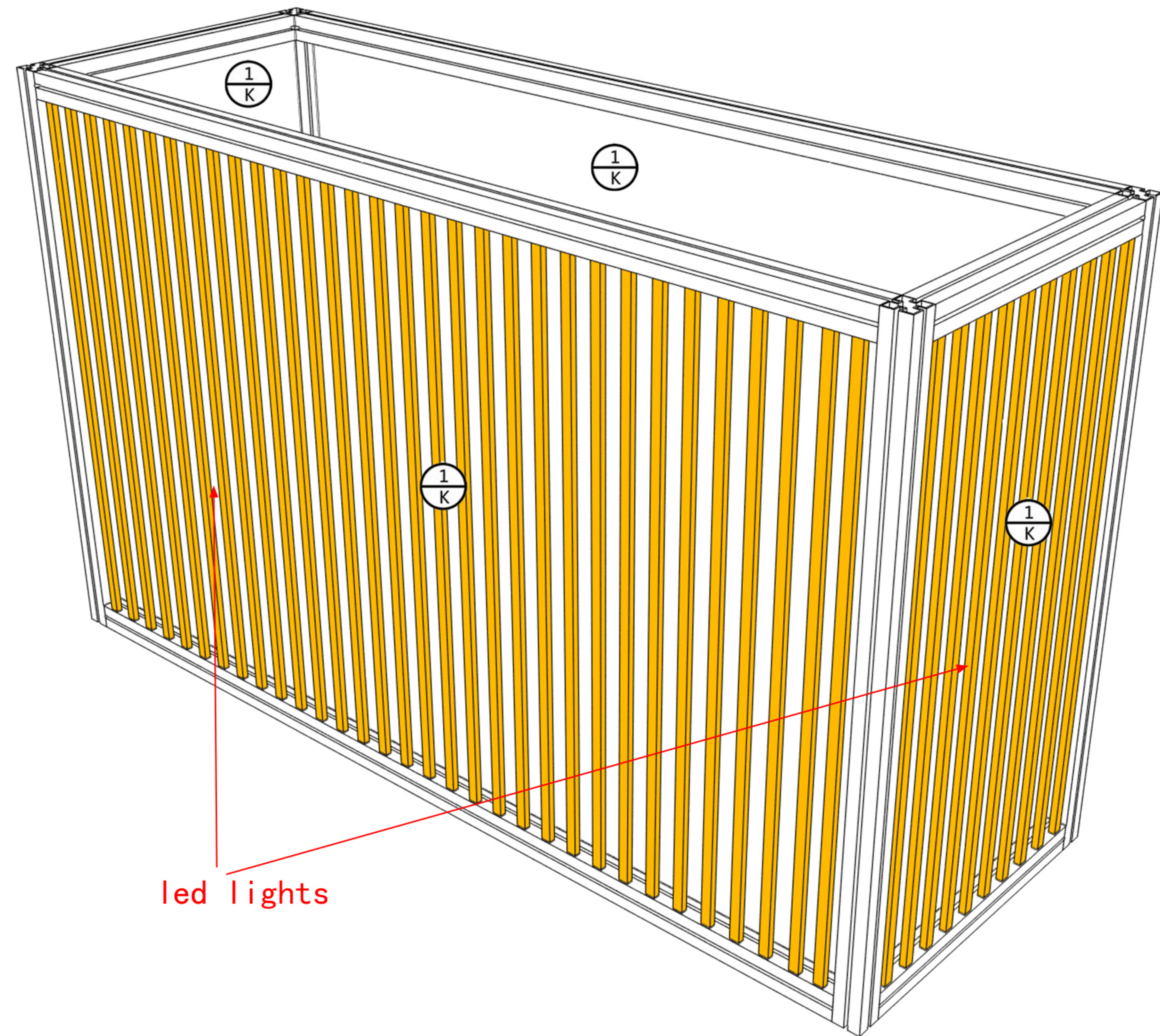
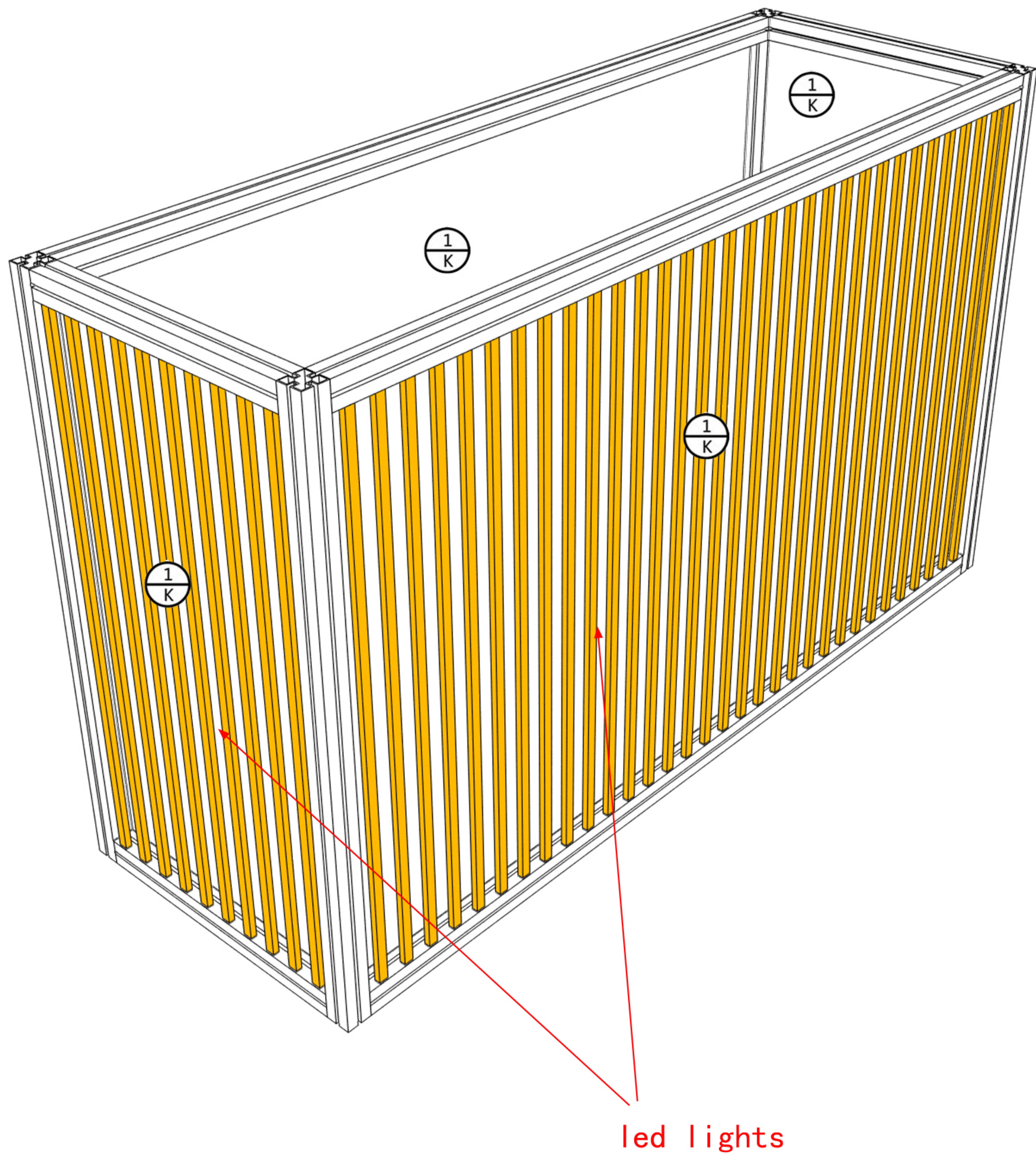
40 square tube corner connection

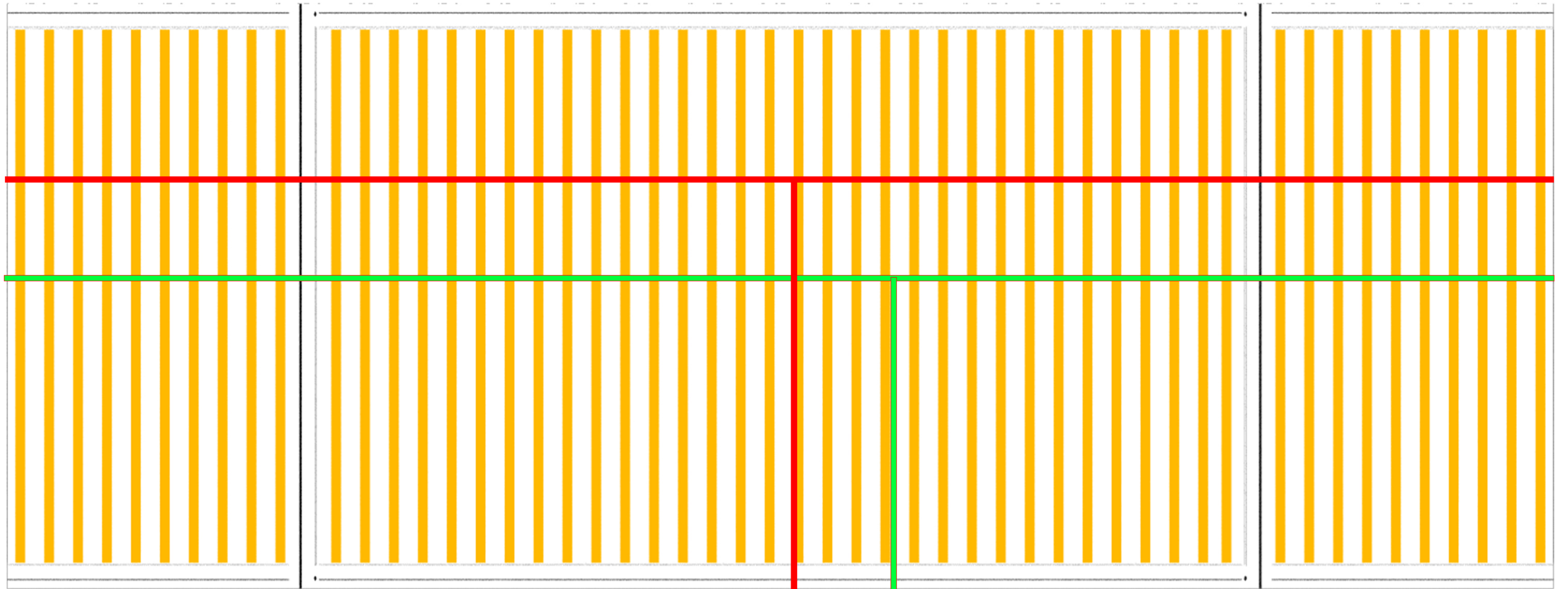
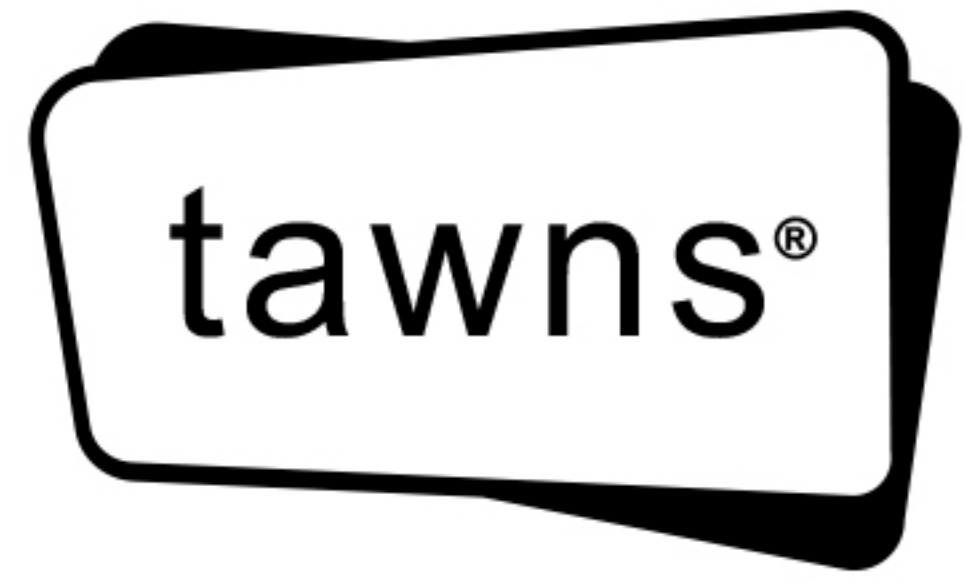




40 square tube corner connection







Counter-TR1

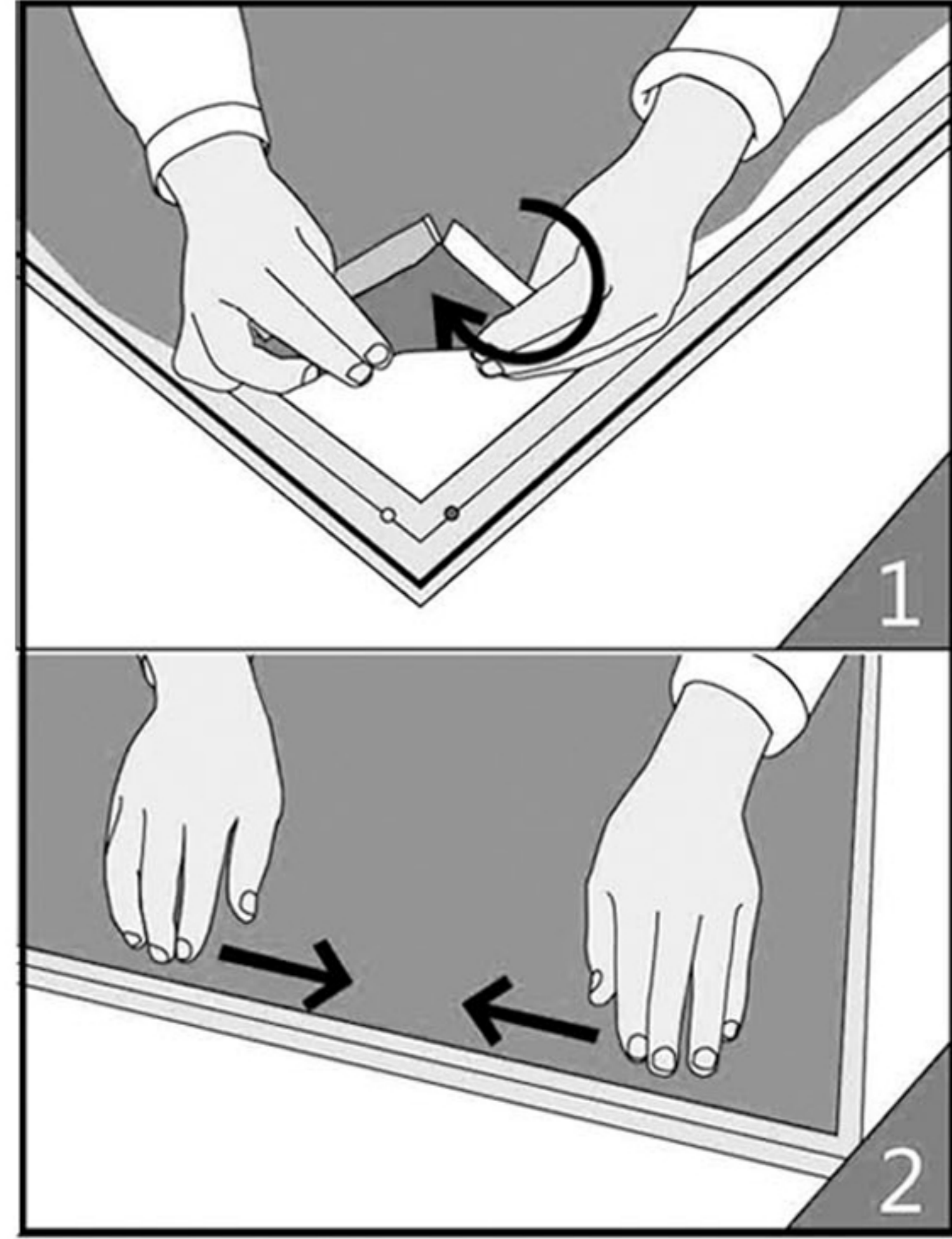
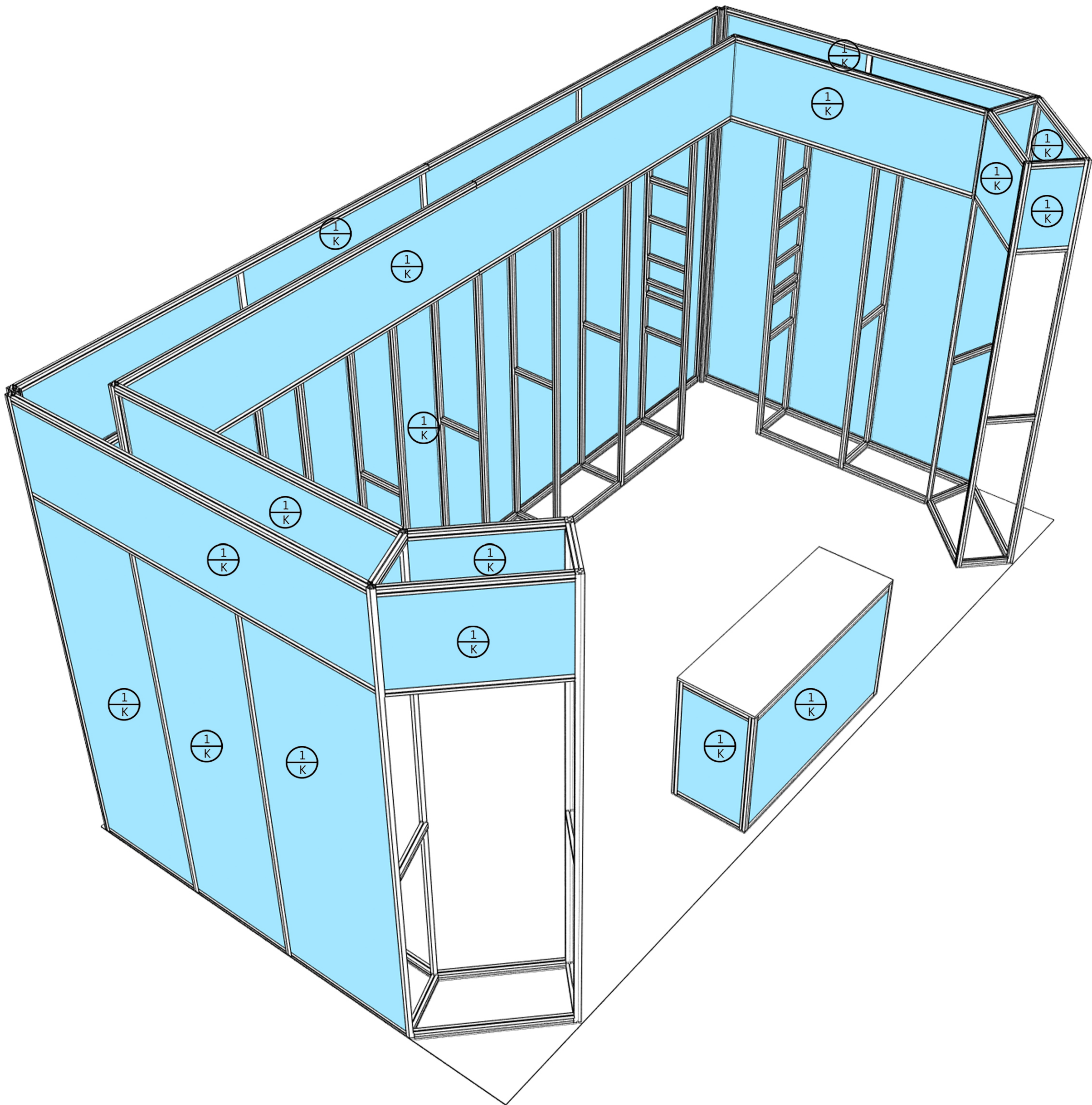
P=400W

AC: 110V-220V

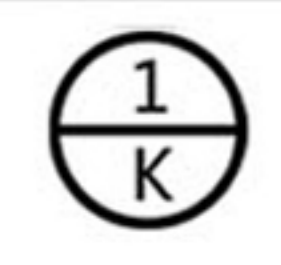
+

-

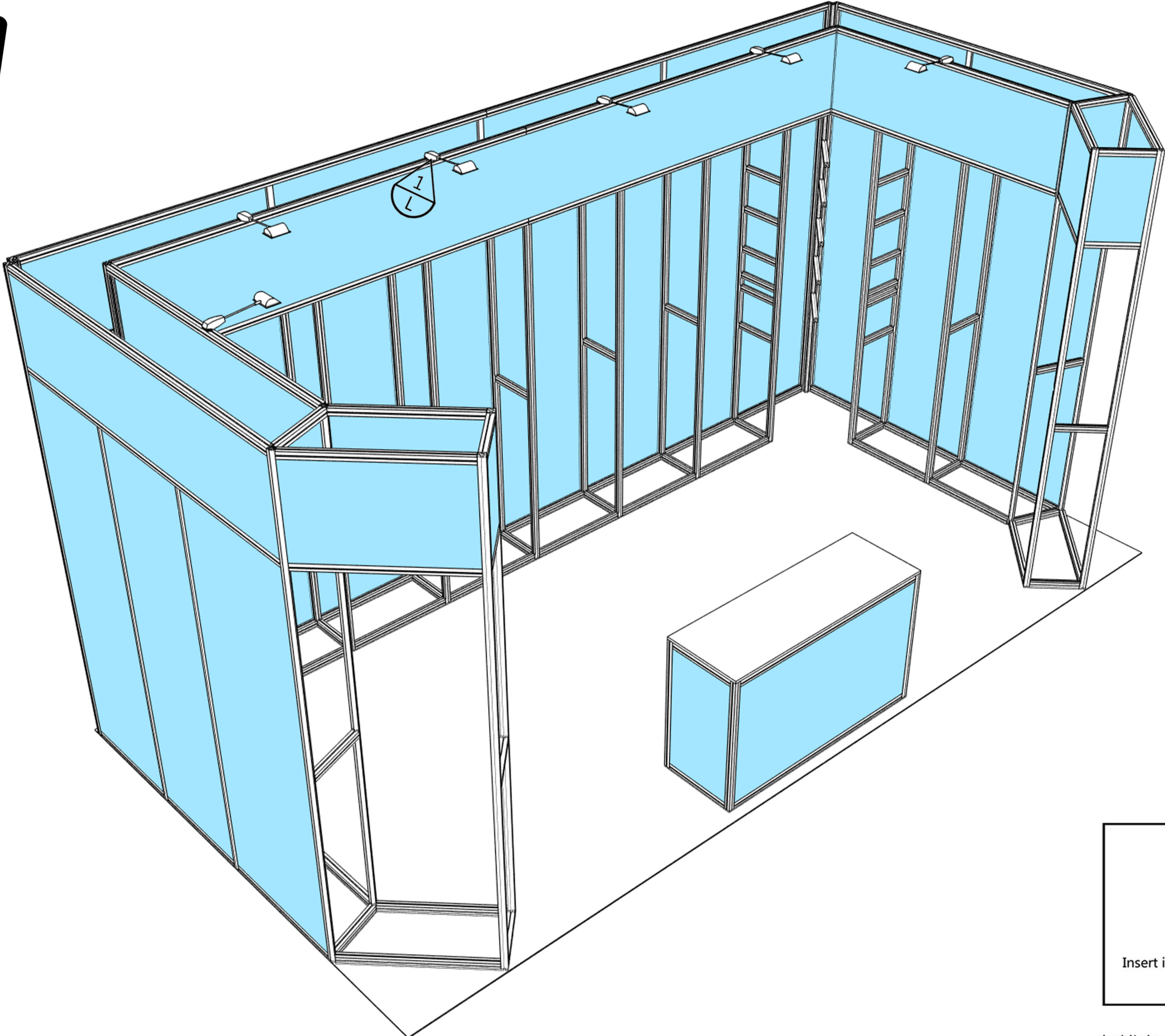




fabric installation

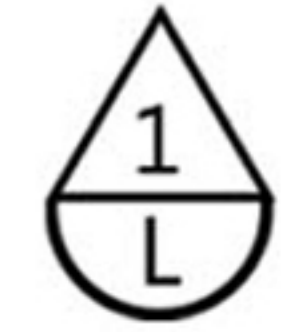


tawns®

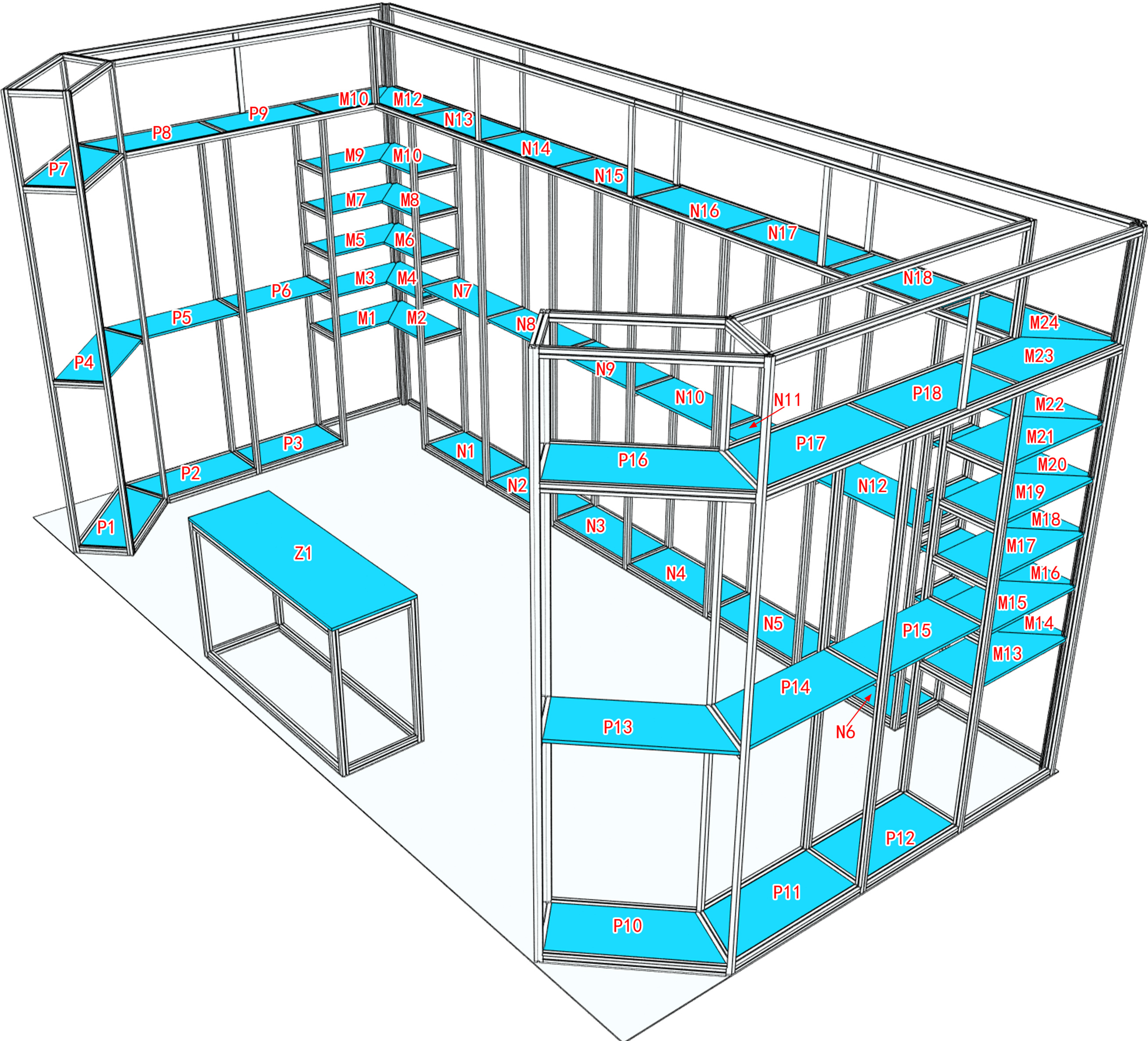
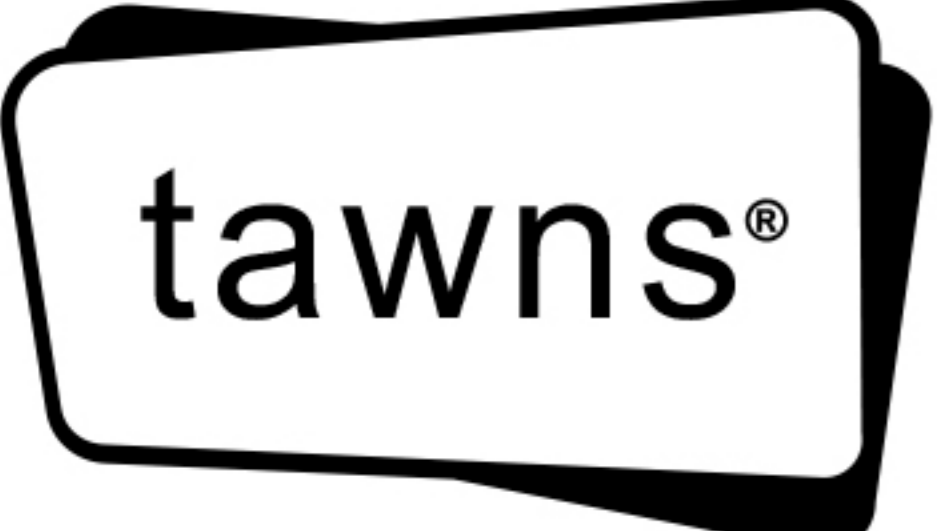


Insert into the groove

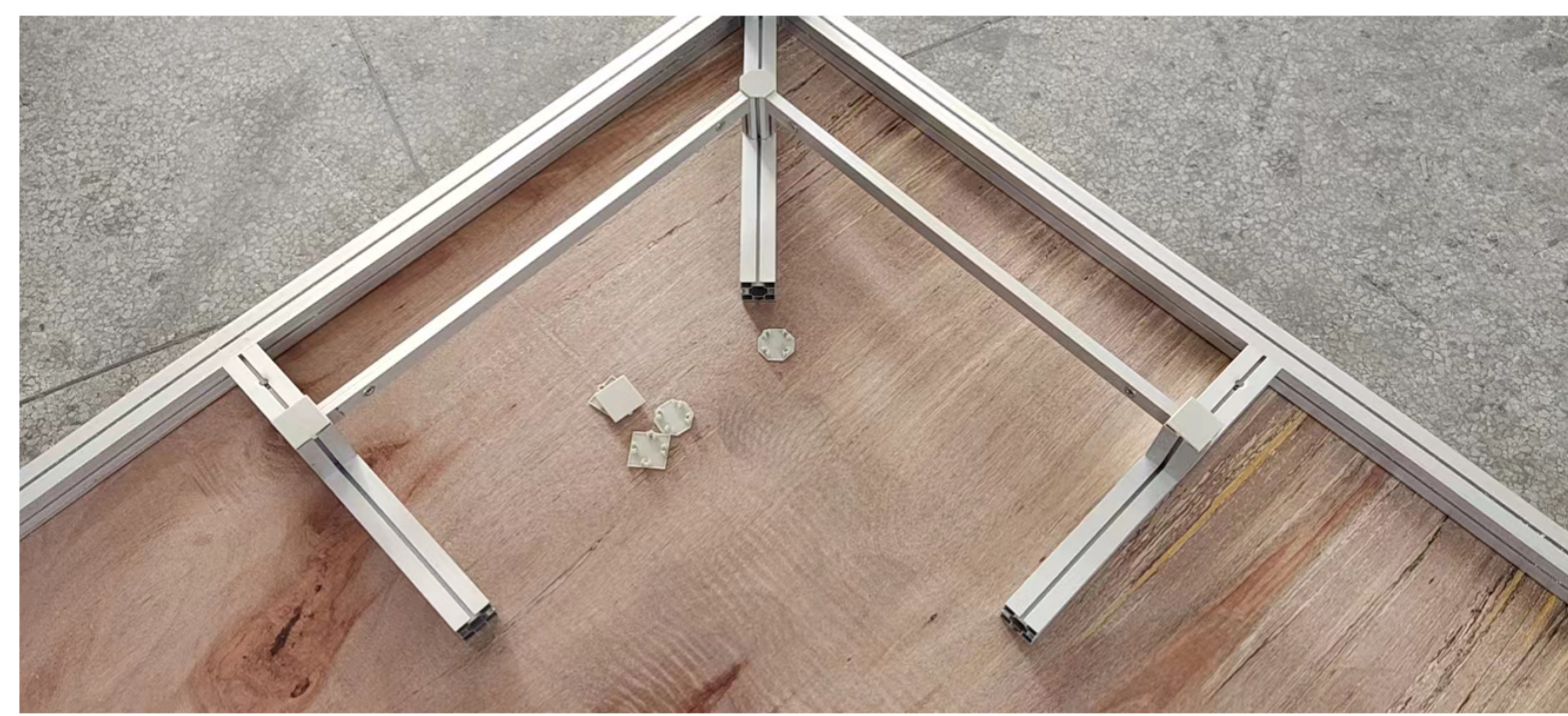
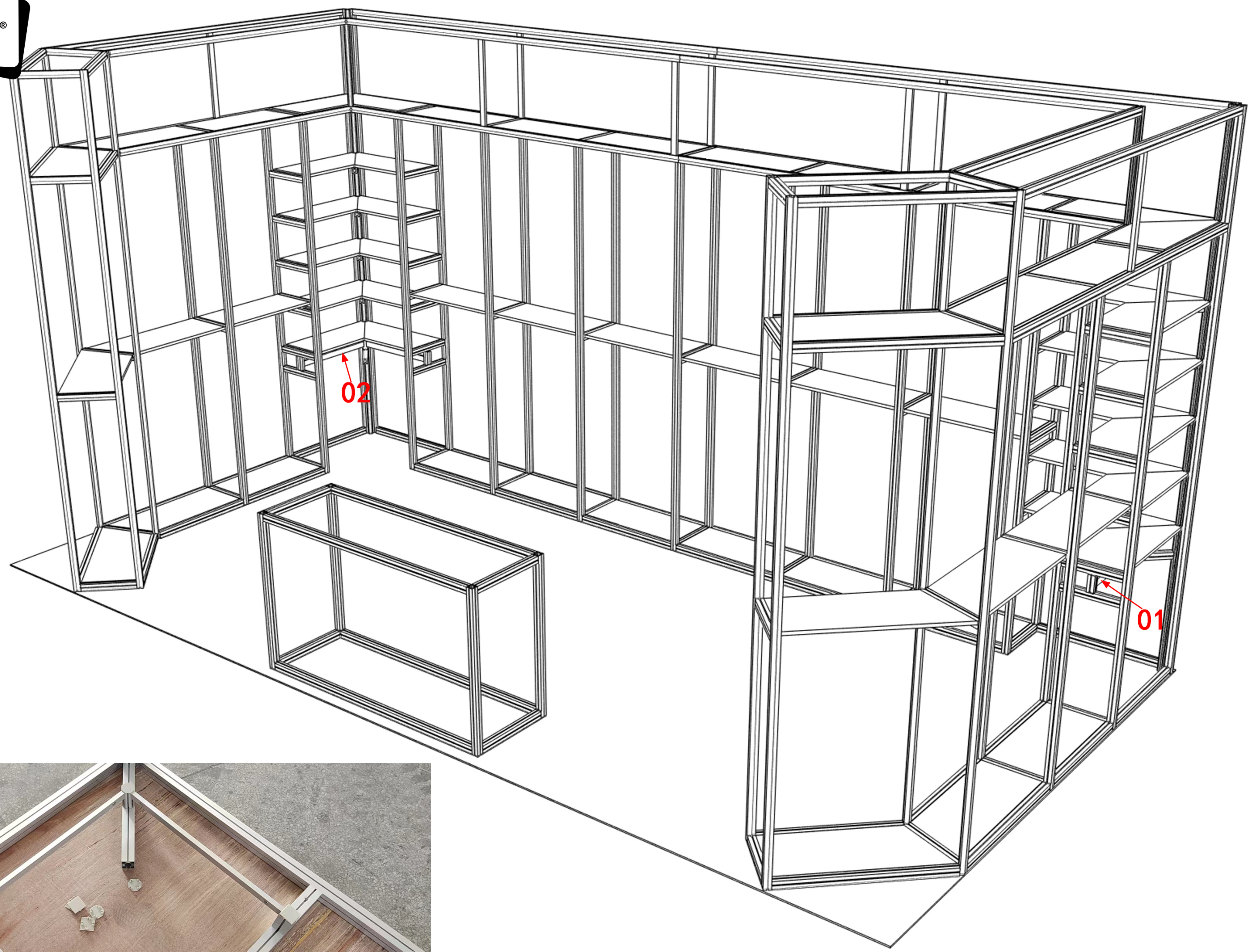
led lights installation







tawns®





Blue line: top part downlight connection  
Orange & green line: shelves light connection  
Red line: spot light connection

Main Drop  
110 volt, 2phase  
5amp

