

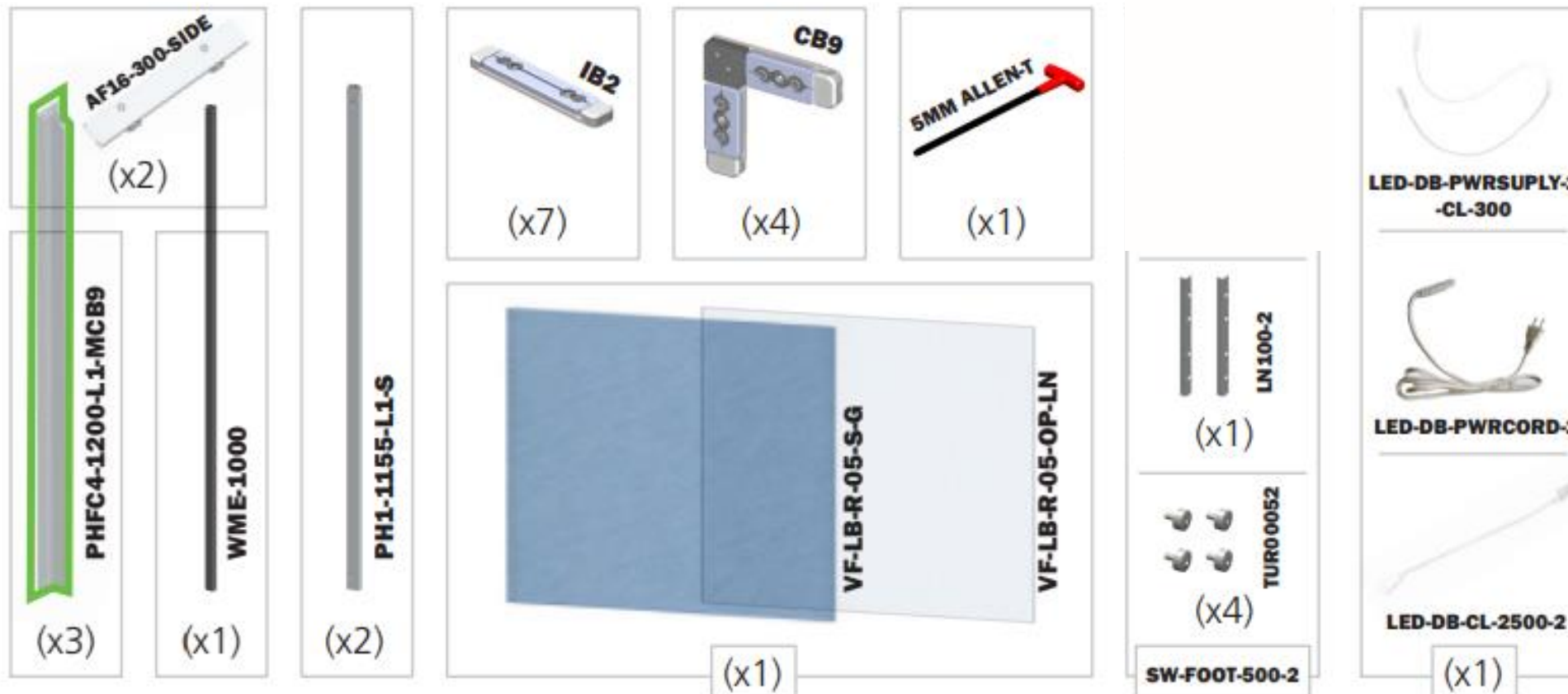
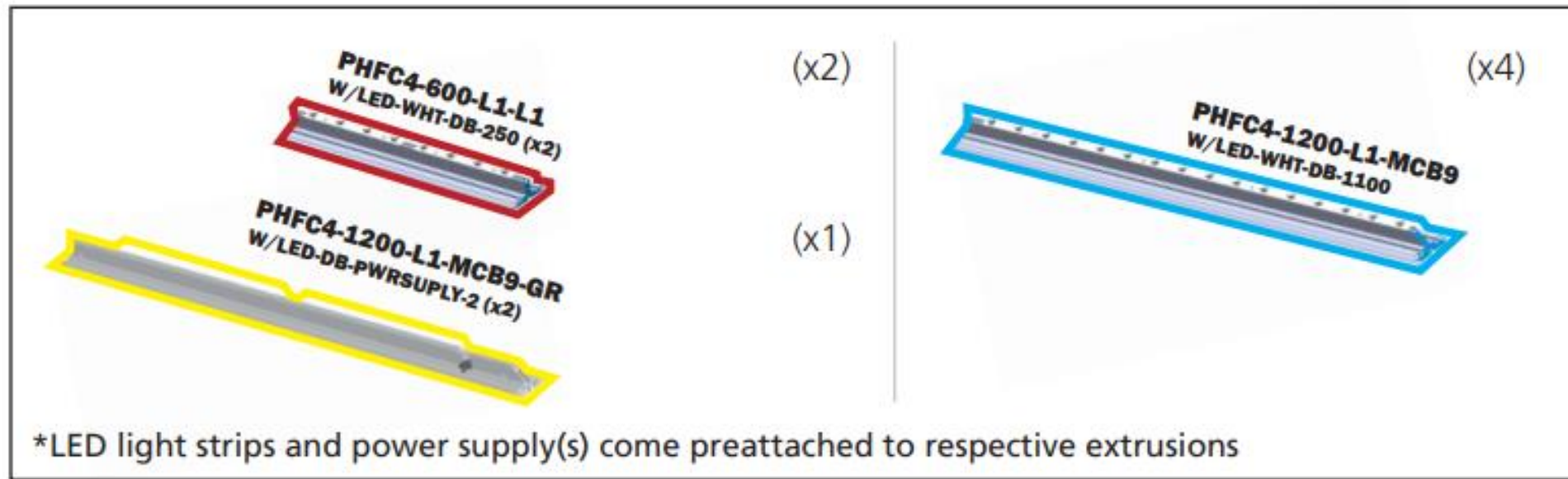
H&H 10x10 – Set up Instructions



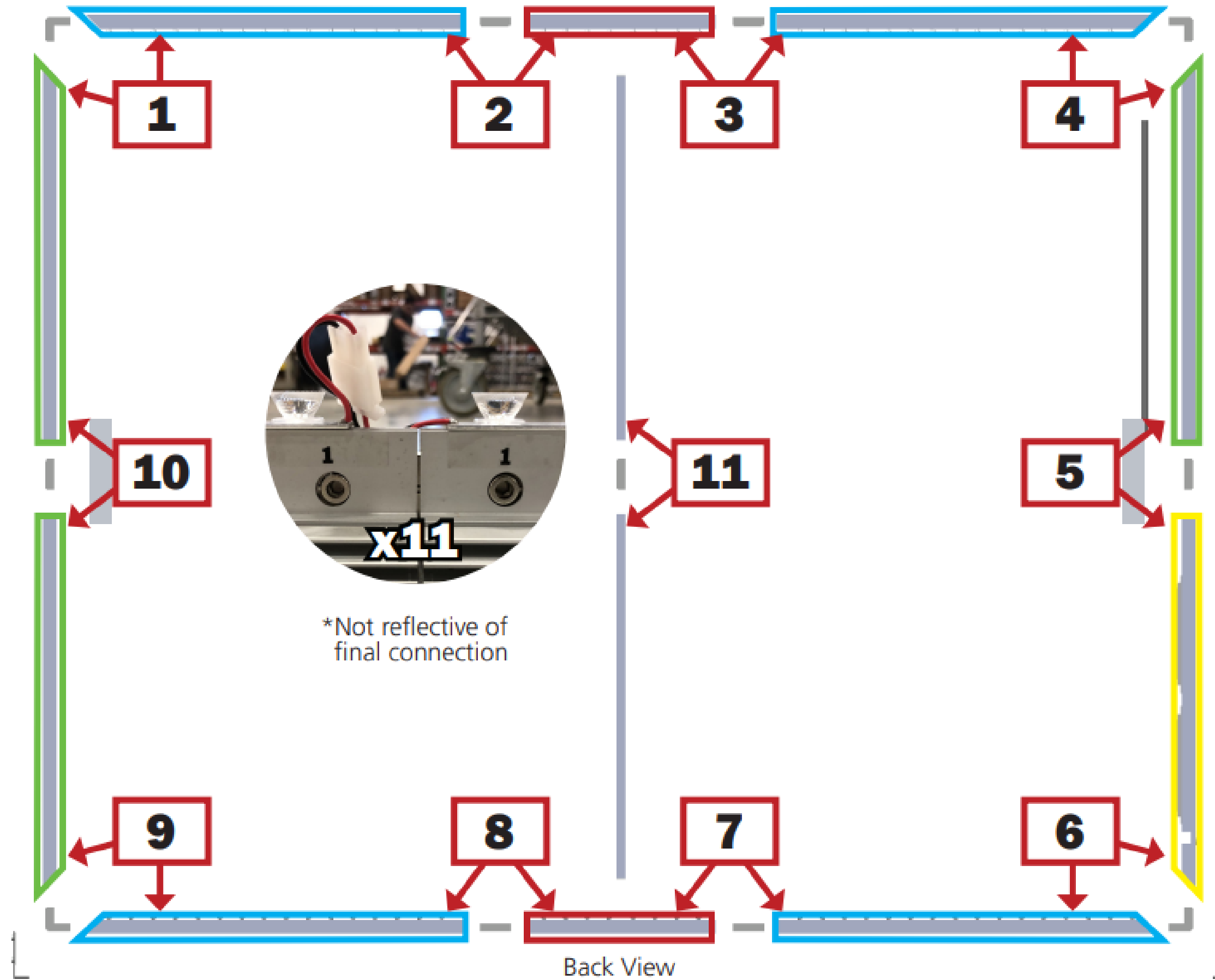
| | |
|-------------------------------------|------------------|
| Table of Contents | – Page 2 |
| SEG Lightbox Assembly | – Page 3 |
| Tools & Equipment Needed | – Page 7 |
| Electrical Drops | – Page 8 |
| Flooring | – Page 10 |
| Red Section | – Page 11 |
| Blue Section | – Page 15 |
| Final Touches | – Page 18 |

SEG GRAPHIC LIGHT BOX ASSEMBLY INSTRUCTIONS

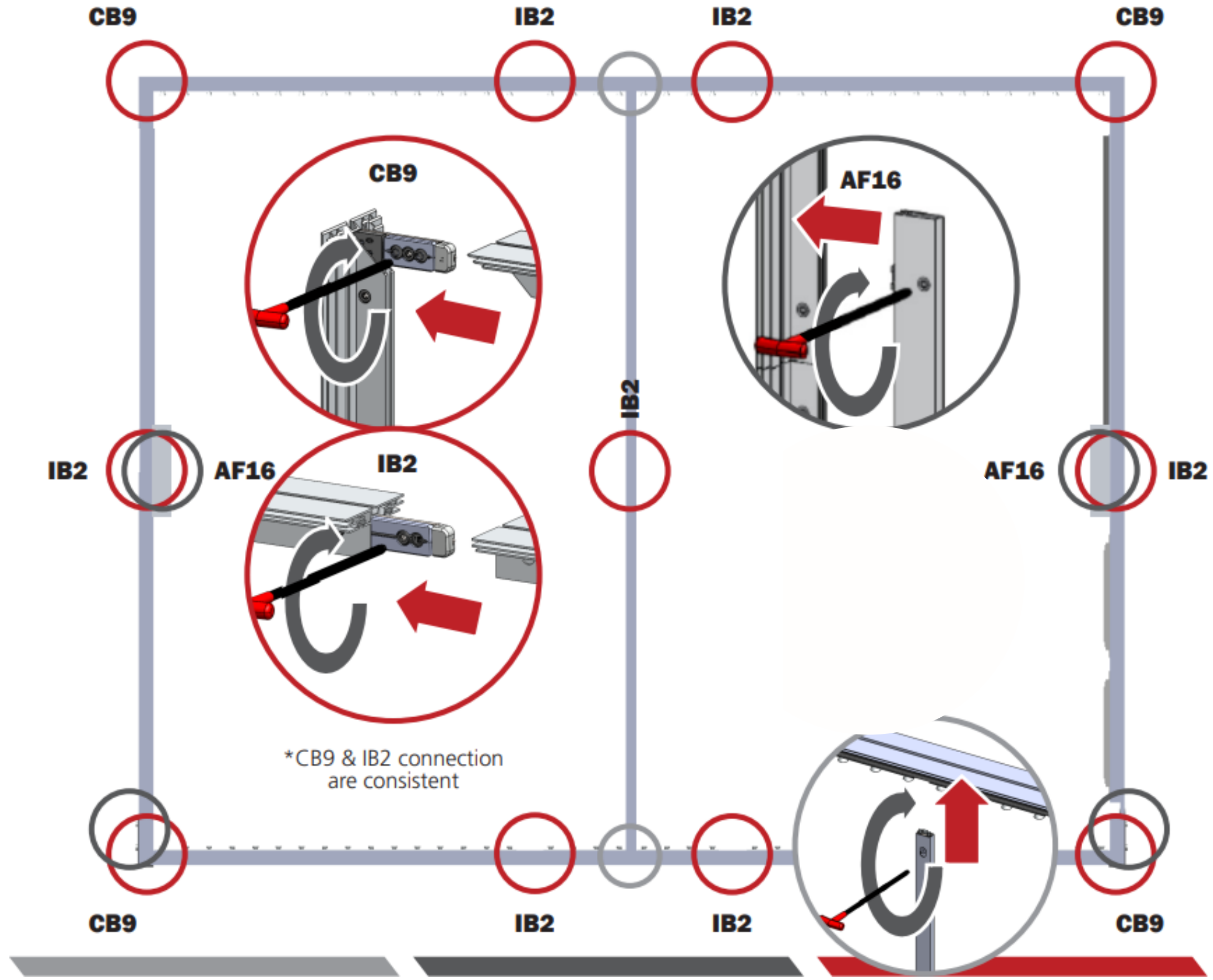
(Referenced on page 11)



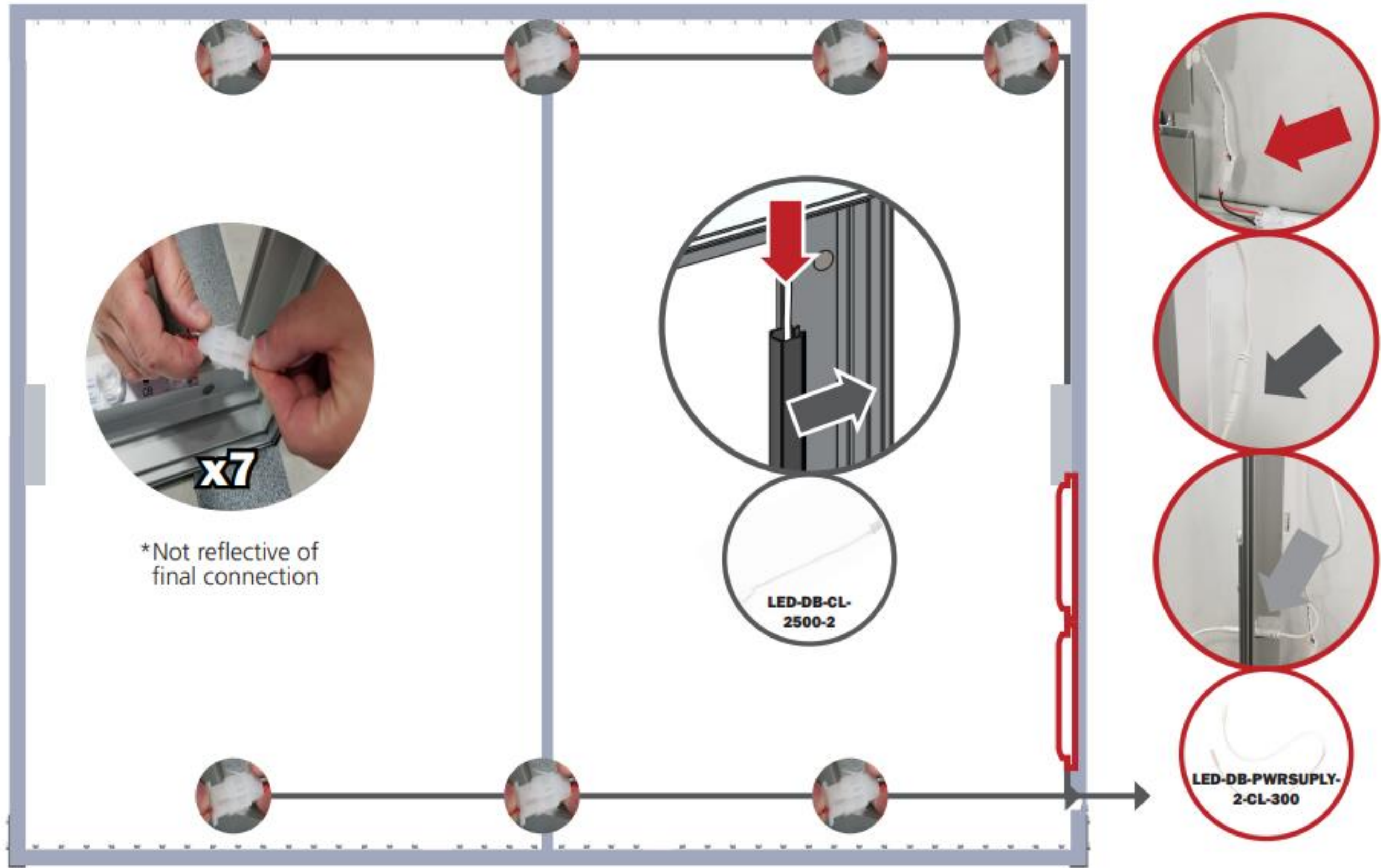
H&H 10x10 – Set up Instructions – SEG



H&H 10x10 – Set up Instructions – SEG



H&H 10x10 – Set up Instructions – SEG

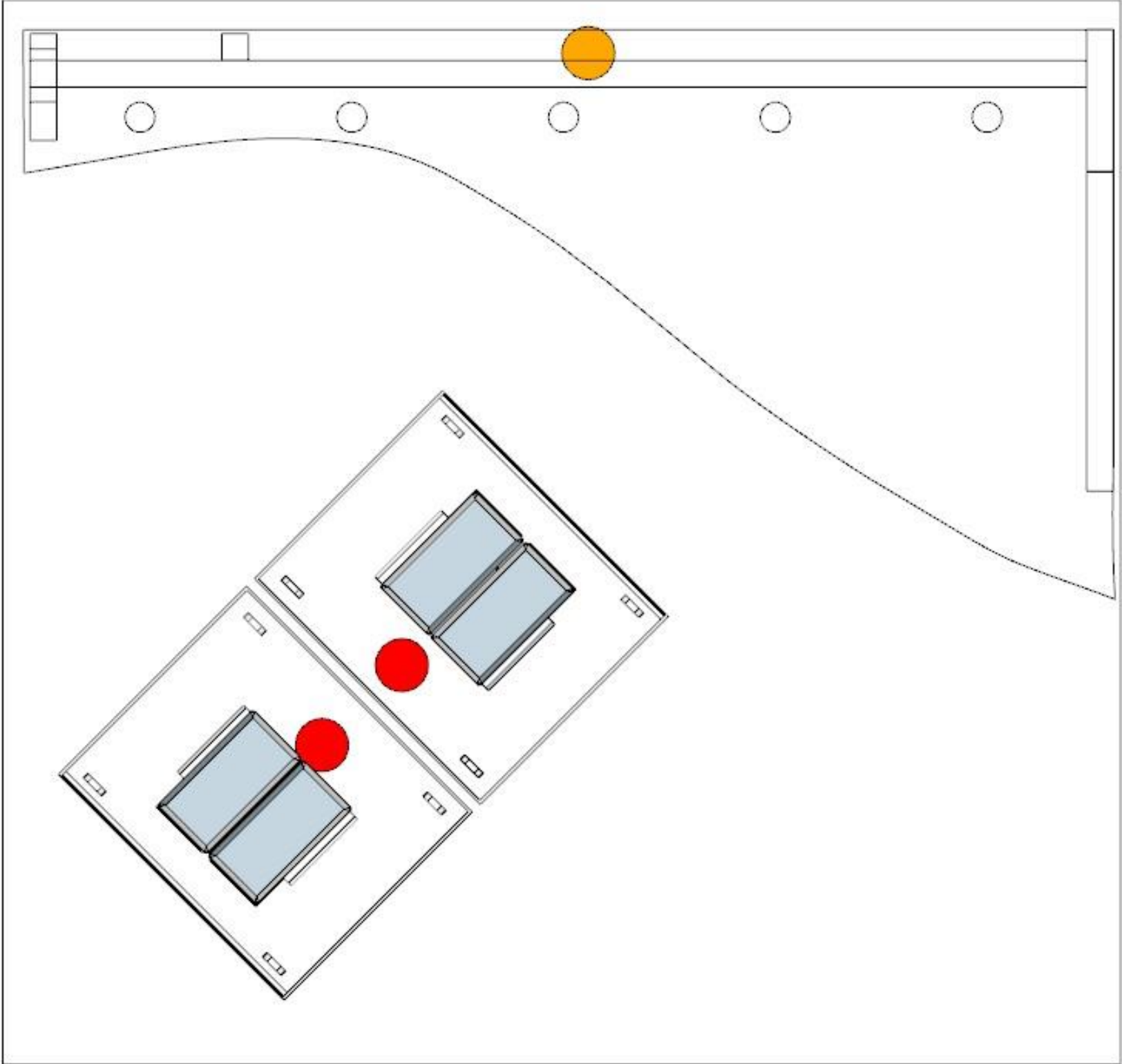


Tools & Equipment Needed

- 1) Impact Drill with 1/4" - 20 driver**
- 2) 2 - 6' Ladders**
- 3) Genie Lift**
- 4) Hot knife**

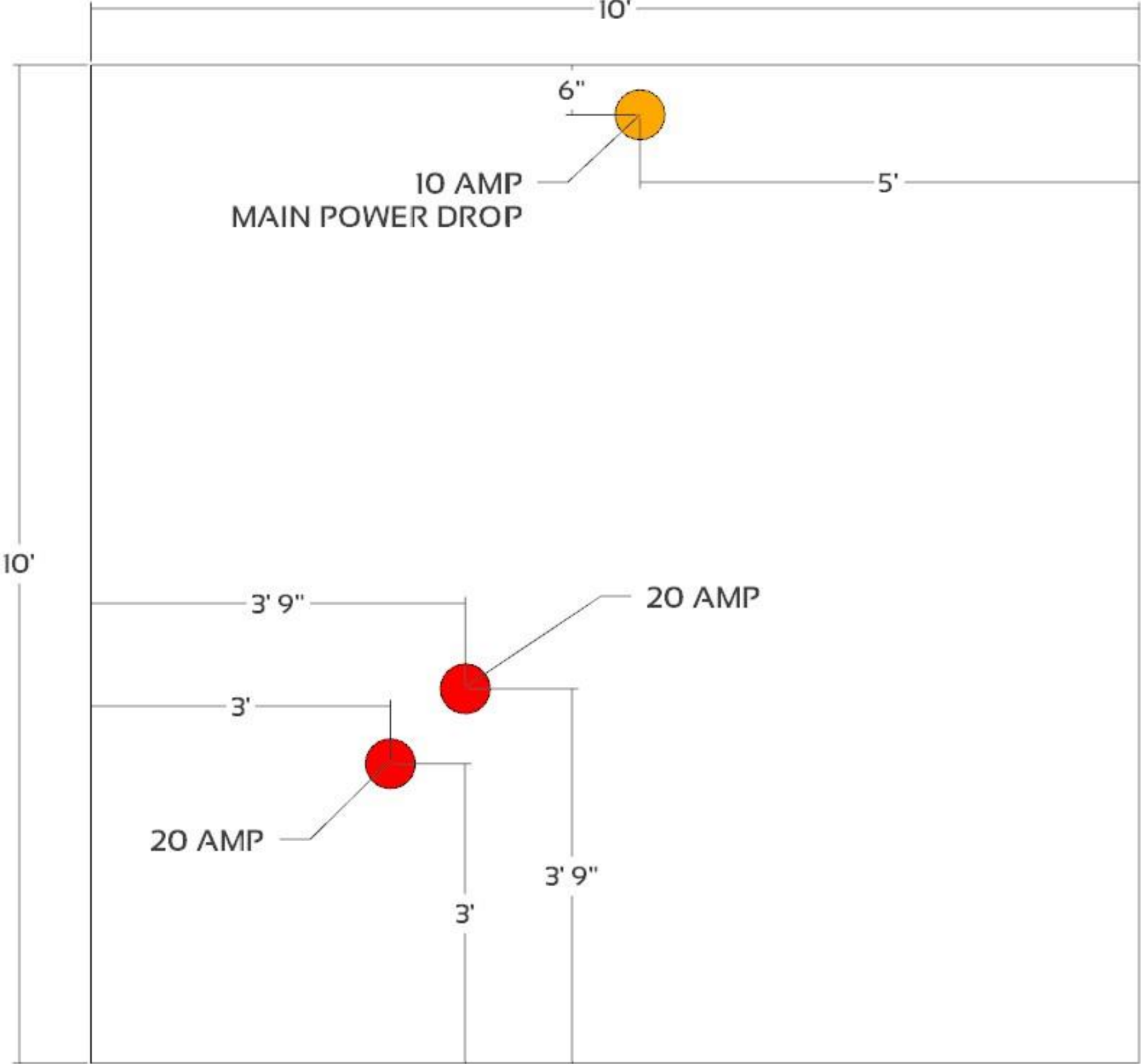
H&H 10x10 – Set up Instructions – Power Drops

Ensure that the booth orientation is correct and that all power drops are in the correct locations



H&H 10x10 – Set up Instructions – Power Drops

Ensure that the booth orientation is correct and that all power drops are in the correct locations

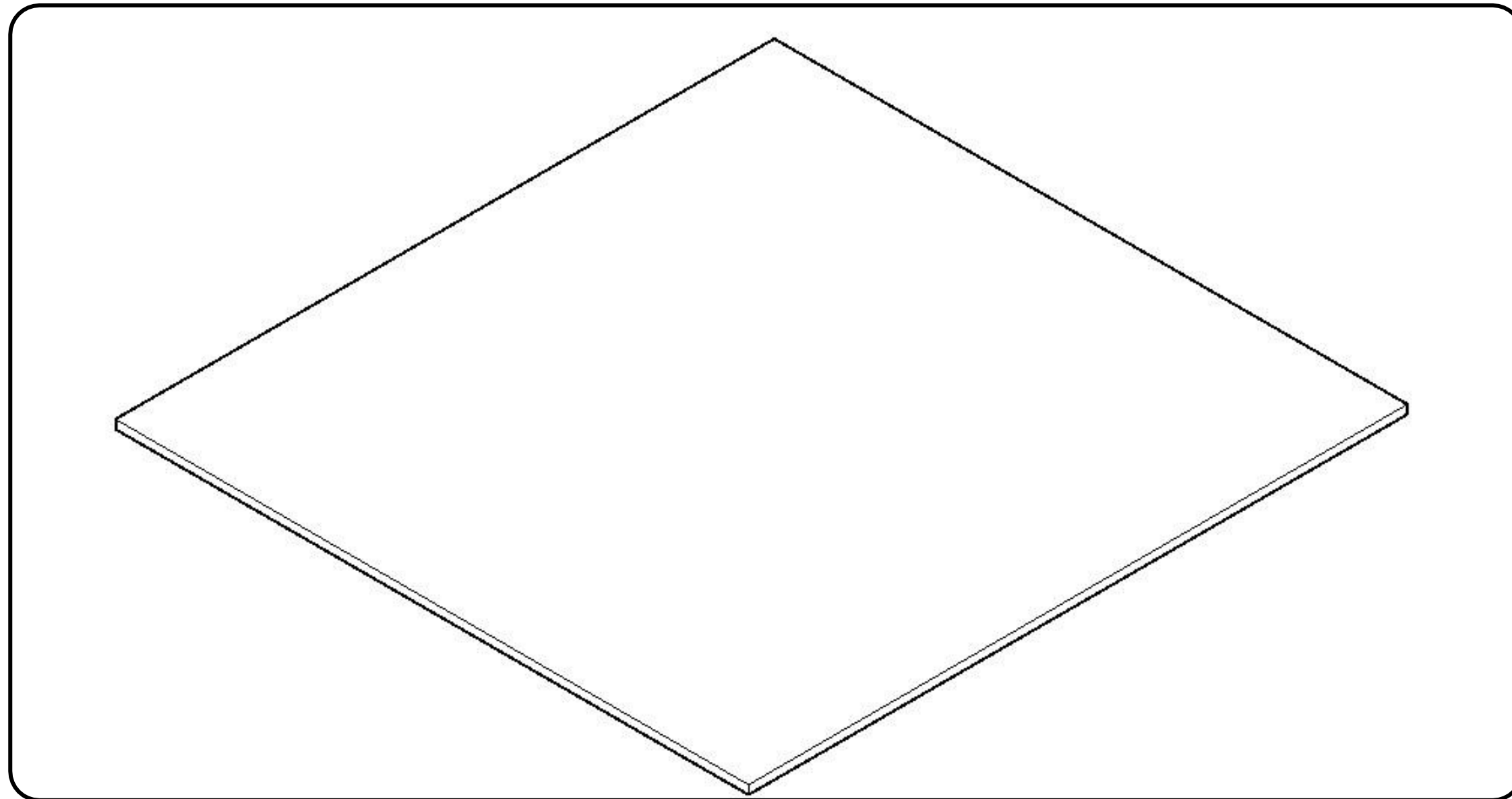


H&H 10x10 – Set up Instructions - Flooring

Align **Padding** and roll out, trimming off any excess.

Once **padding** is down, lay down the **Flooring**

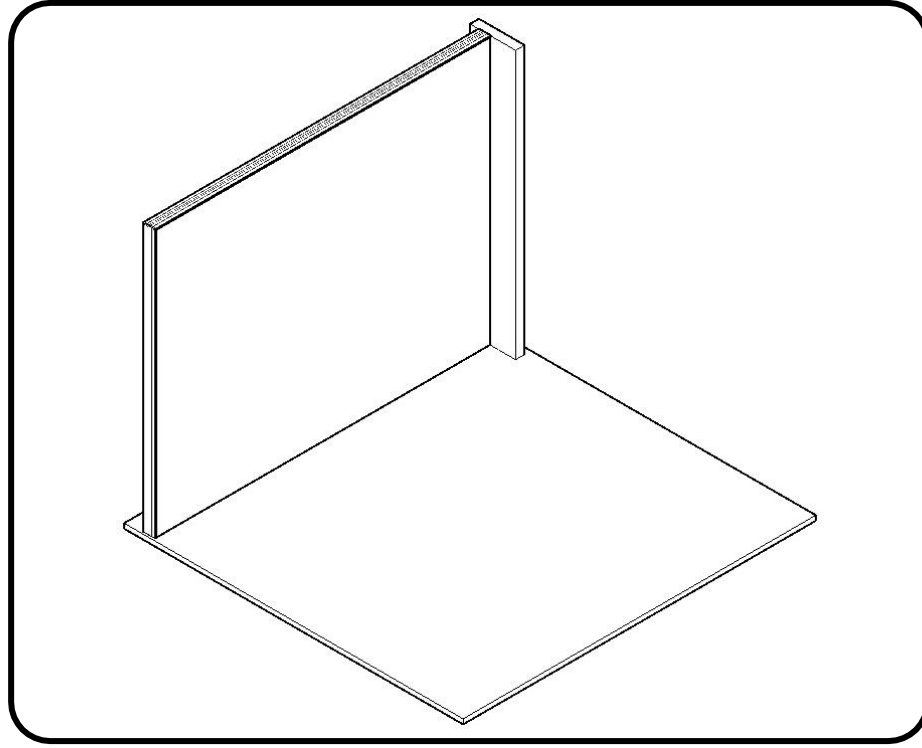
After **Flex Floor** is down, use **VisQueen** to help protect it until show day.



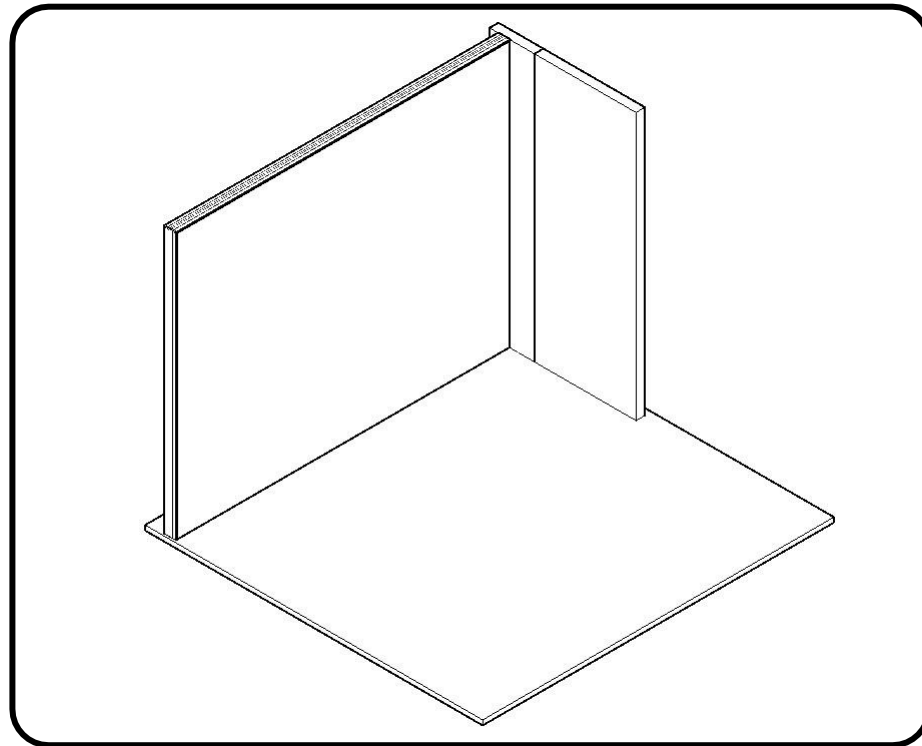
H&H 10x10 – Set up Instructions – Red Section

Assemble red labeled SEG Lightbox and apply the **front graphic** to the frame.

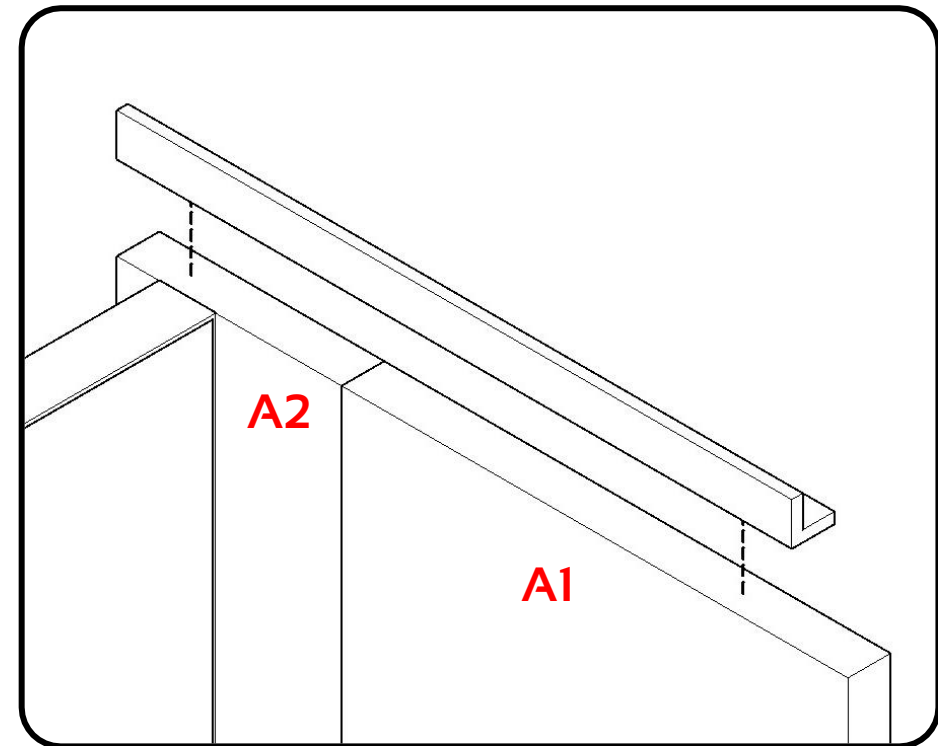
Then, bolt into **Red Panel A2** (Please note, Red A2 also has a **Green A2** Label on it. Disregard this label, it is for a different orientation).



Now, bolt Red Panel A1 to Red Panel A2 (Please note, Red A1 also has a **Green A6** Label on it. Disregard this label, it is for a different orientation).

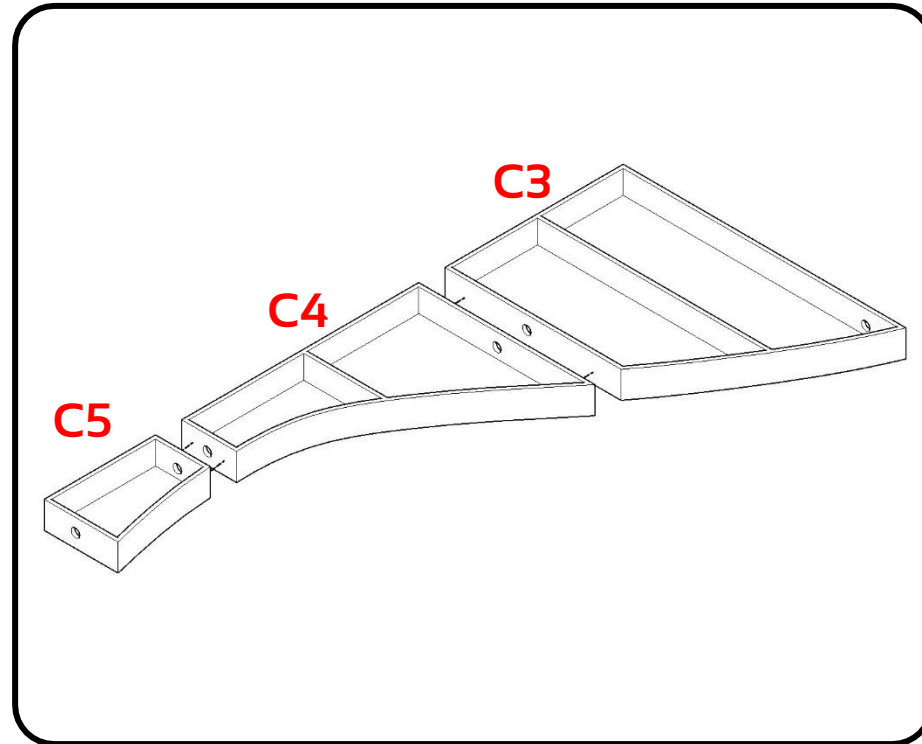


Bolt the canopy support to the top of panels **Red A1** and **Red A2**



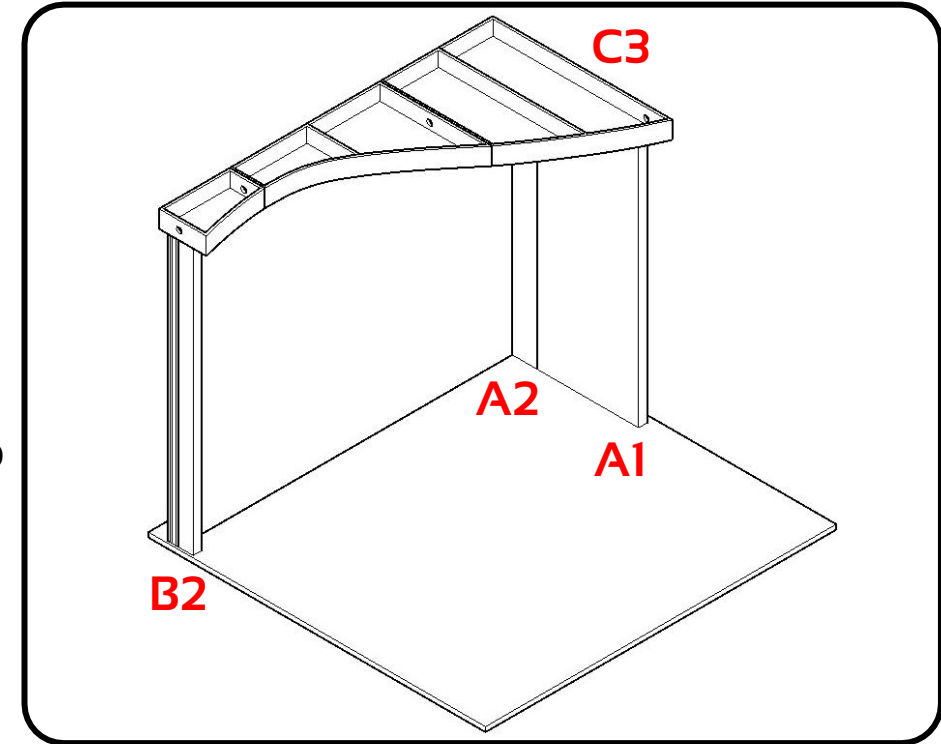
H&H 10x10 – Set up Instructions – Red Section

On the floor, align the **Red C3** Canopy Panel, the **Red C4** Canopy Panel and the **Red C5** Canopy Panel. Once aligned, bolt together using supplied **1/4-20 hex bolts**.

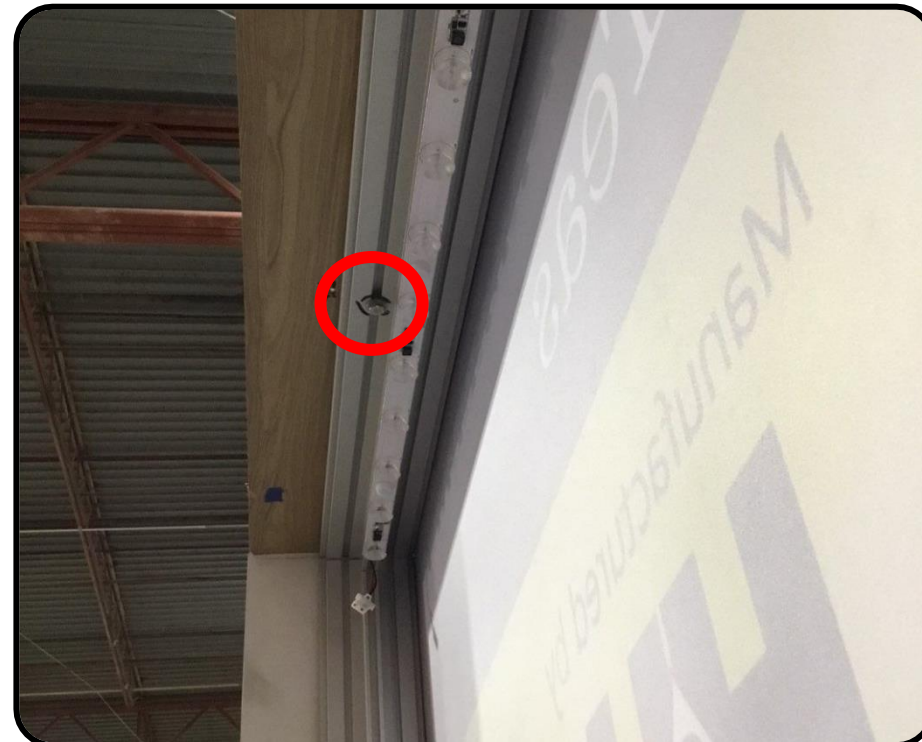


Carefully lift the canopy while supporting with **Red Support Pillar B2**.

Bolt the **Red C3** Canopy Panel into the **canopy support**.



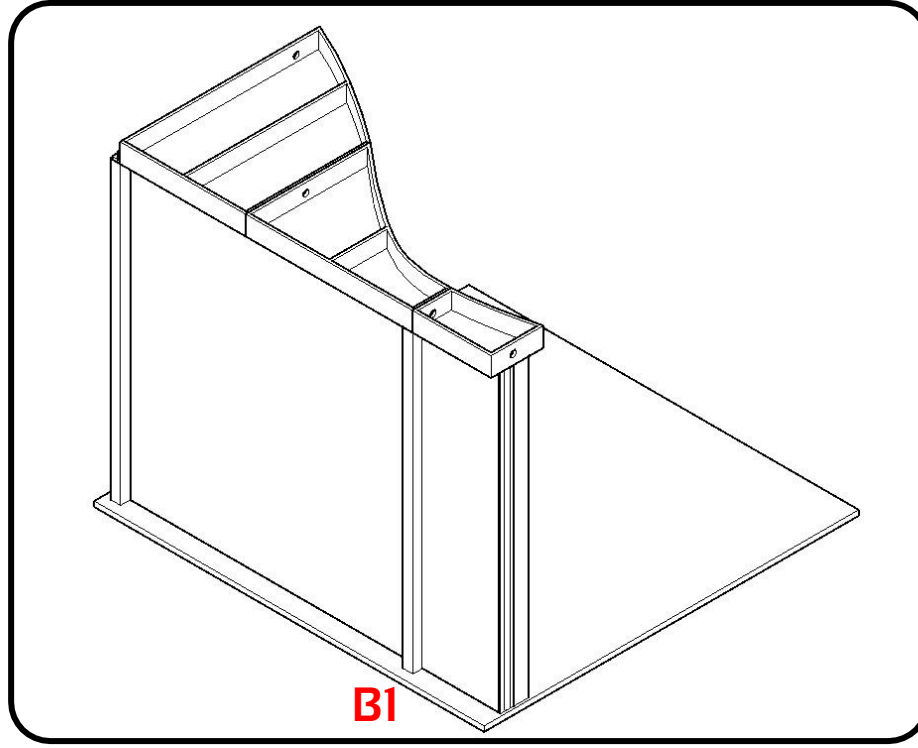
Bolt the SEG Frame into the canopy along the left, middle and right along the top of the frame



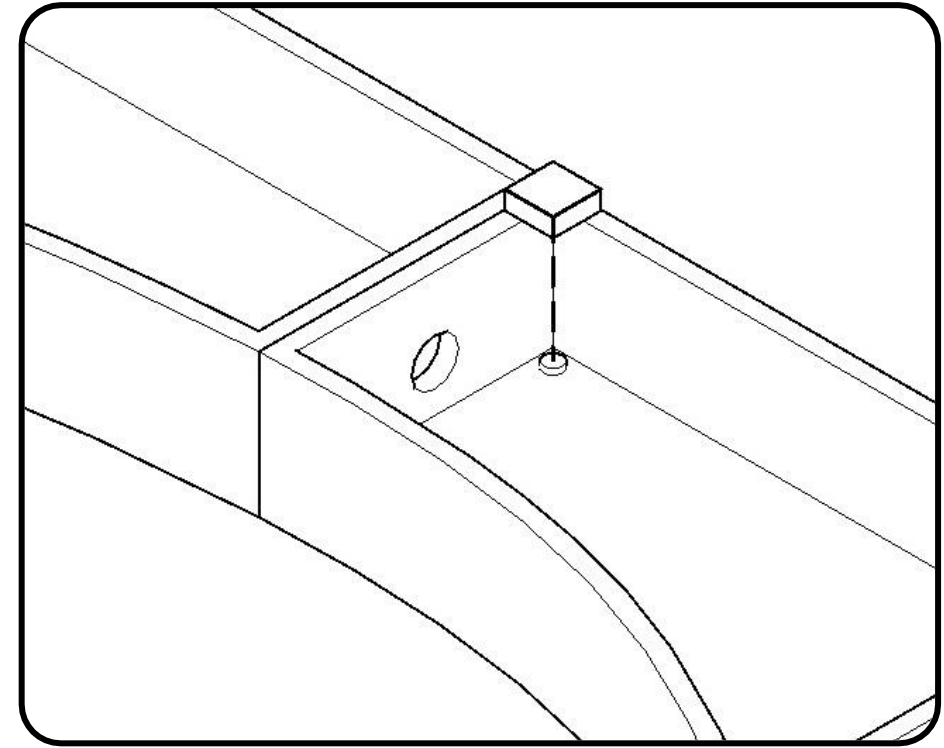
H&H 10x10 – Set up Instructions – Red Section

Once Frame is in place, apply fabric backer to the SEG Frame.

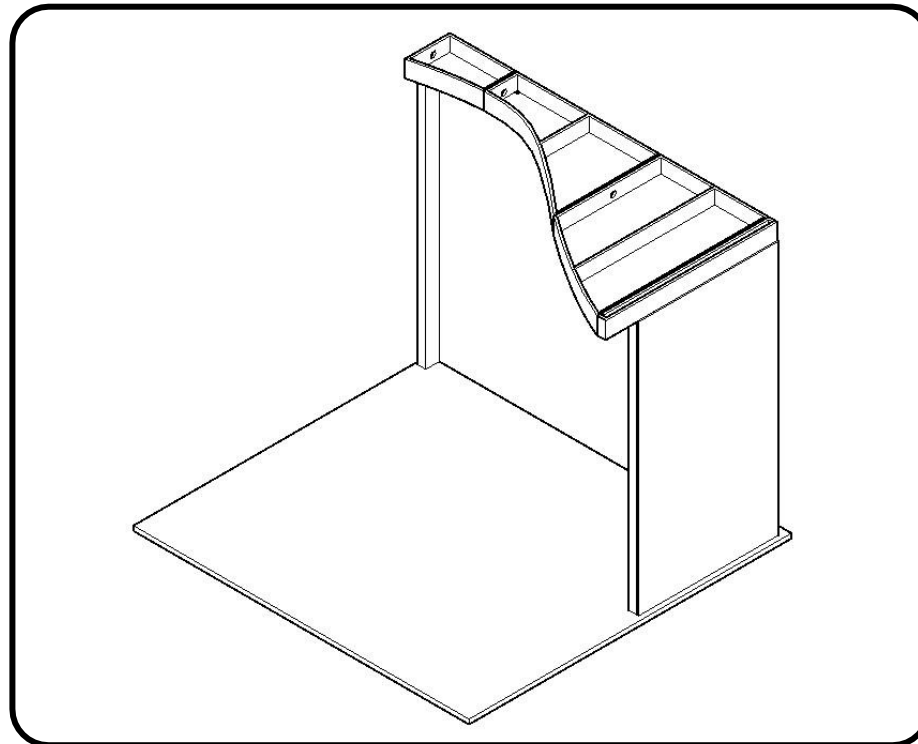
Once **backer** is in place, place the **Red Support Pillar B1** under the canopy via the **dowel** at the top of the support.



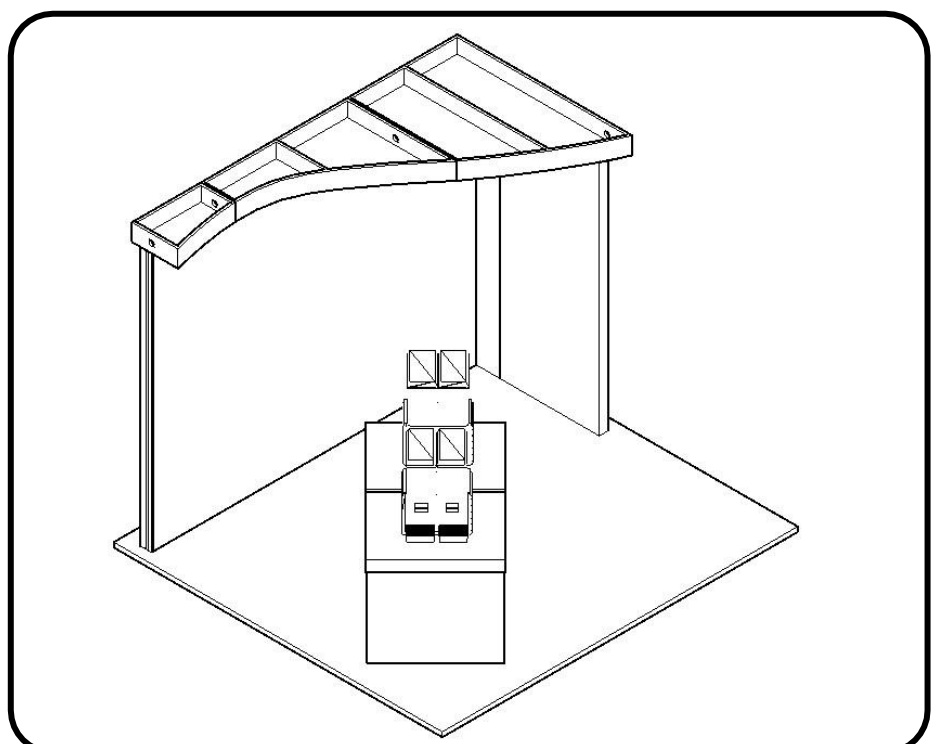
Once the Support pillar is in place, connect the Pillar topper to the pillar and canopy via drywall screw



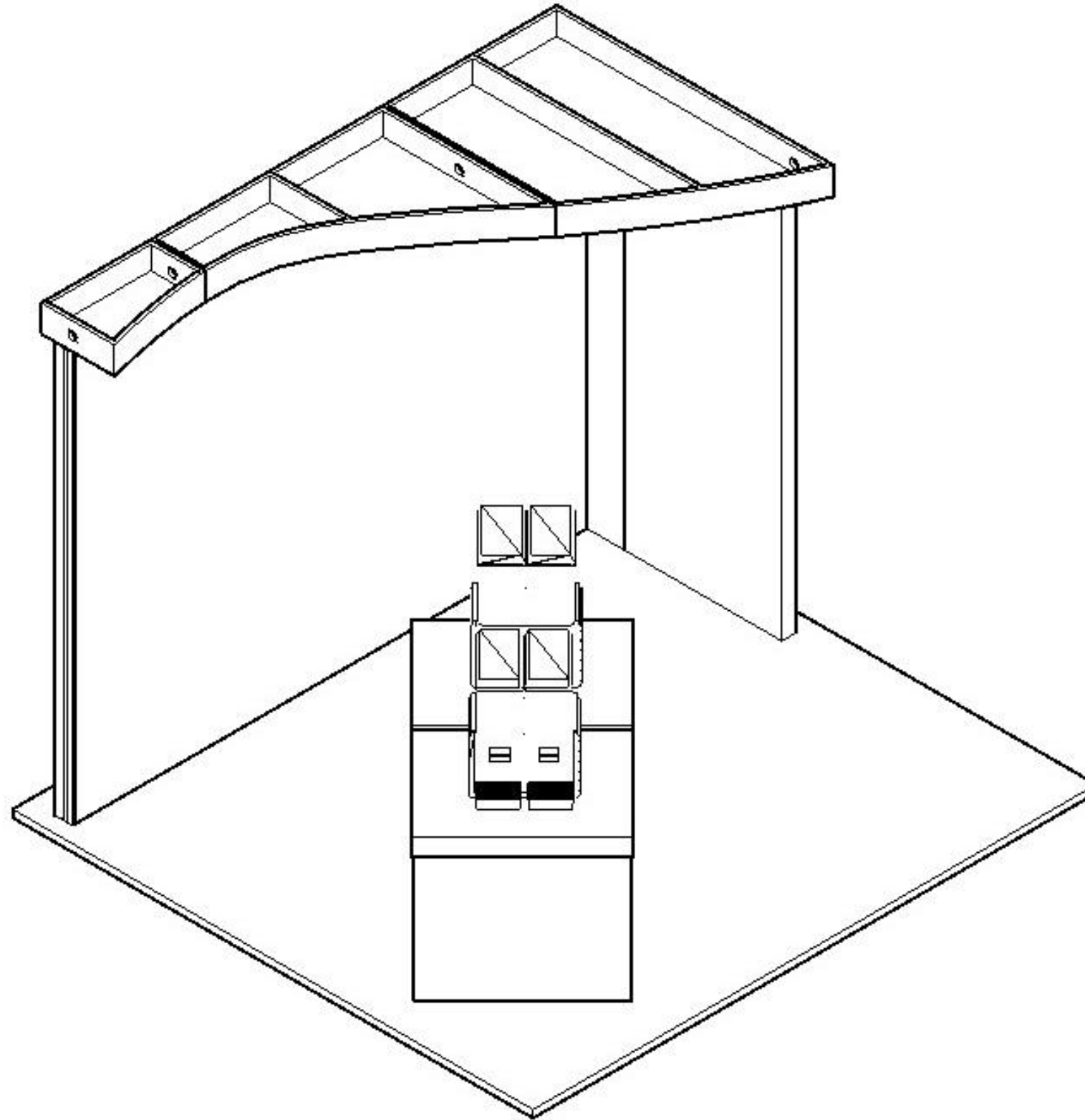
Bolt Canopy Support Cover to the canopy support and apply white PVC panel covers to the exposed sides of the panels.



Place Counters in their designated location and plug in through the bottom



H&H 10x10 – Set up Instructions – Final Touches



Ensure that everything is powered
Wipe down the booth
Have a great show!