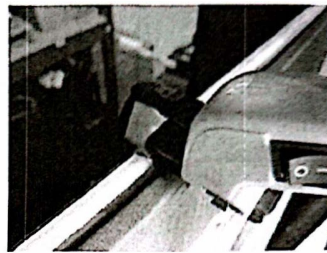




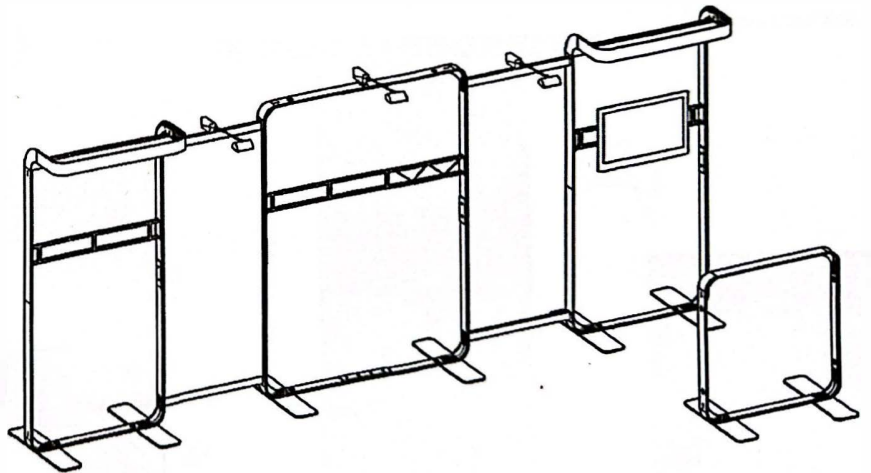
The 90° Engage connectors attach by sliding a bolt through the Envoy to connect into a slide nut in the connector. This is done at the top and bottom of the vertical Envoy piece



Top Engage panel graphic (above door)



The center light attaches using an Envoy light clip. The other two attach using an Engage light clip that fits in the gap cut in the inserts and on the banner.



Please position the TV so that it is hanging a couple inches below the text on the banner. The brackets will only bolt on the TV in the top holes if positioned correctly. The DVD player should be placed in the floating cabinet.

