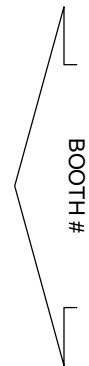
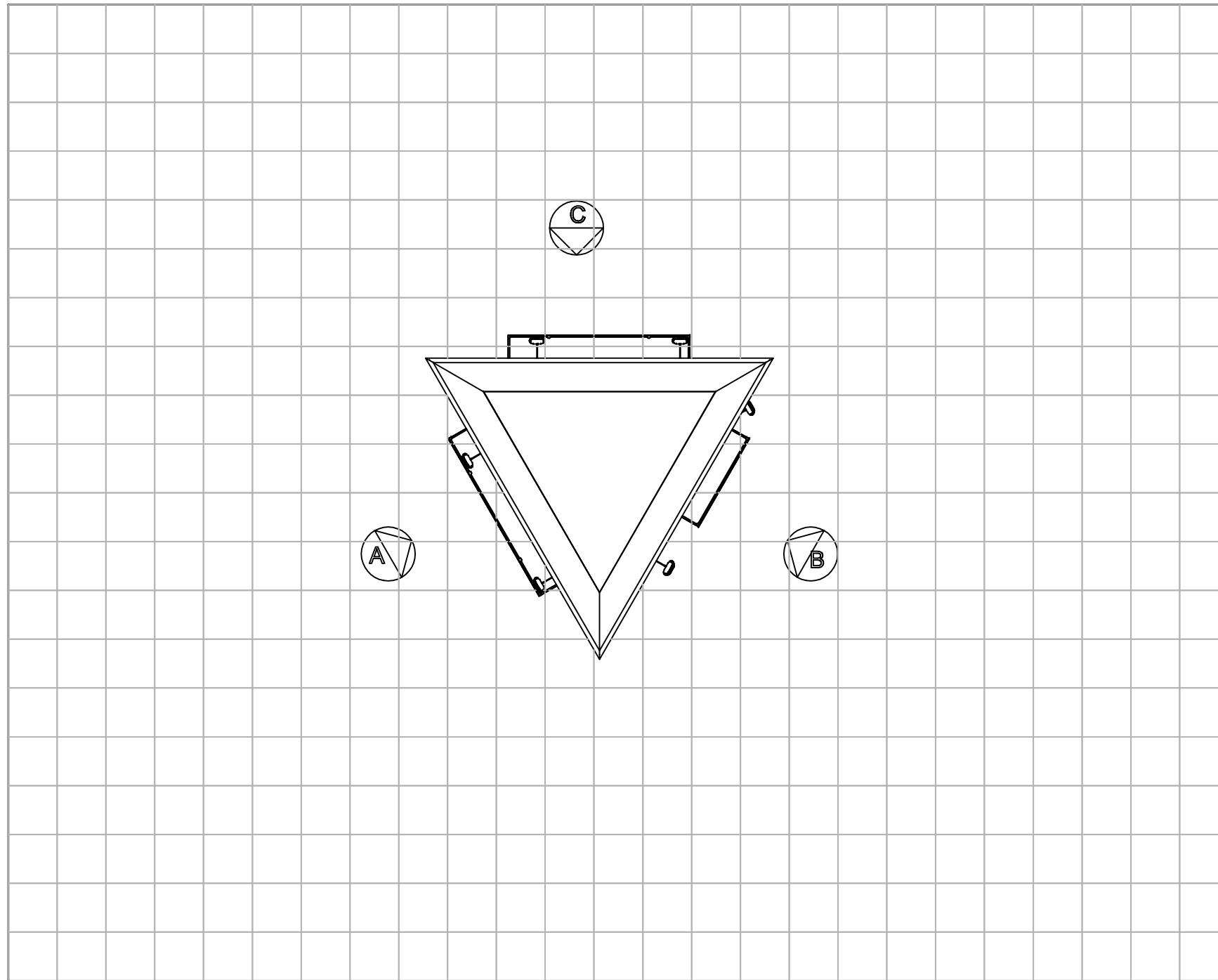




BOOTH #

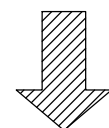


BOOTH #

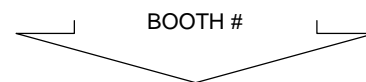


BOOTH #

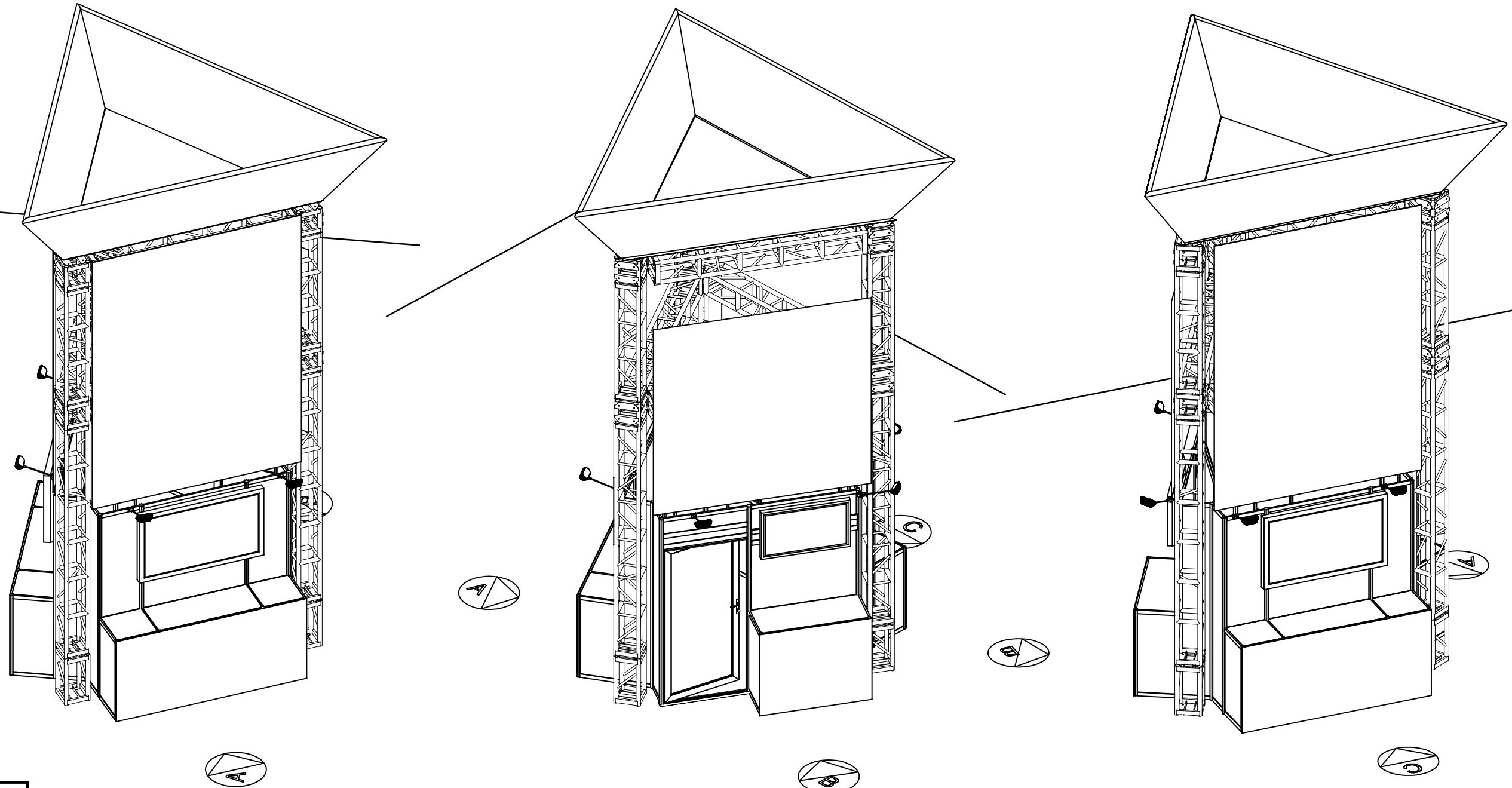
SHOW
ENTRANCE



PLAN VIEW
Scale: 0.015077



BOOTH #



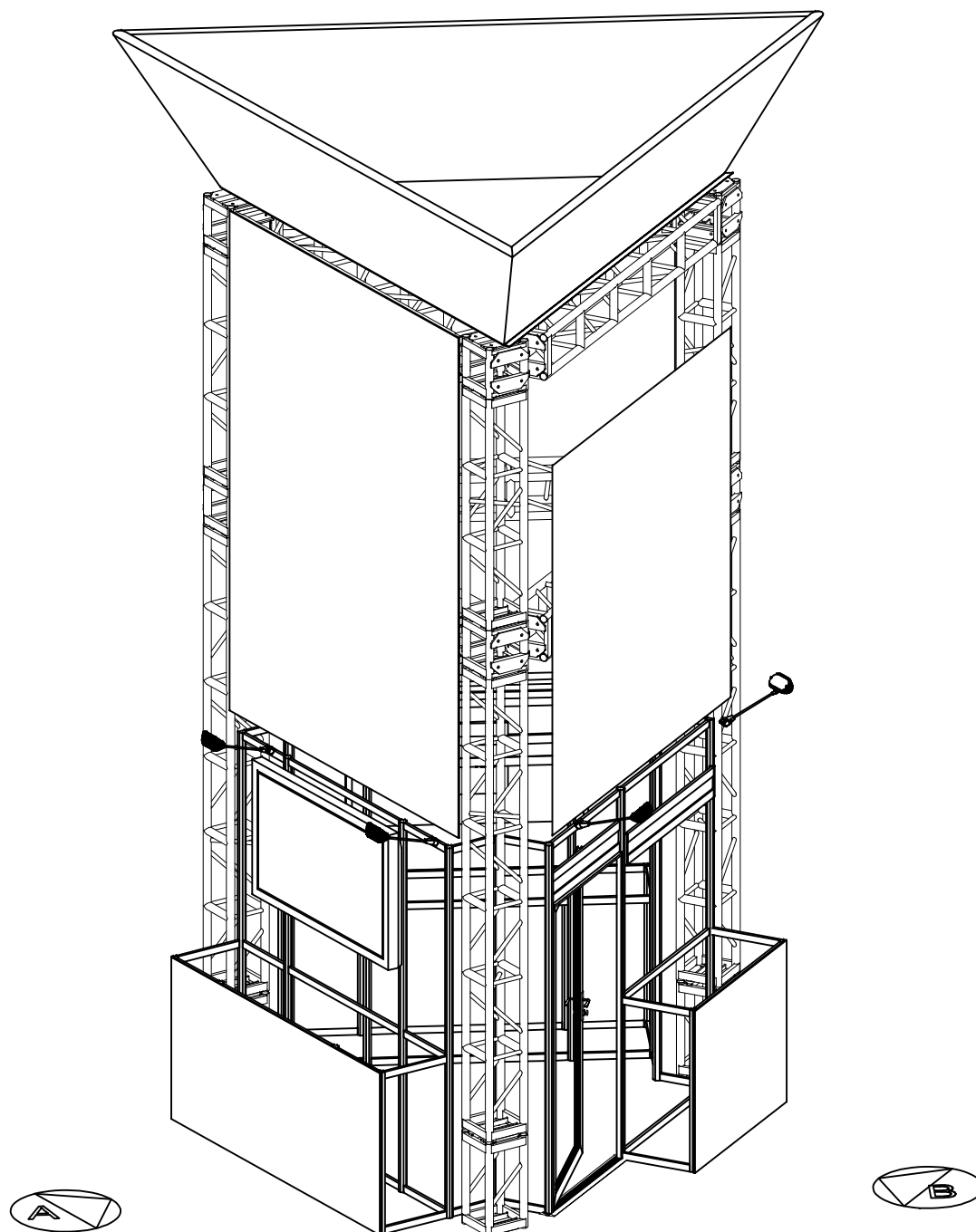
3D VIEW - 1

LESS THAN 30 DAYS OUT

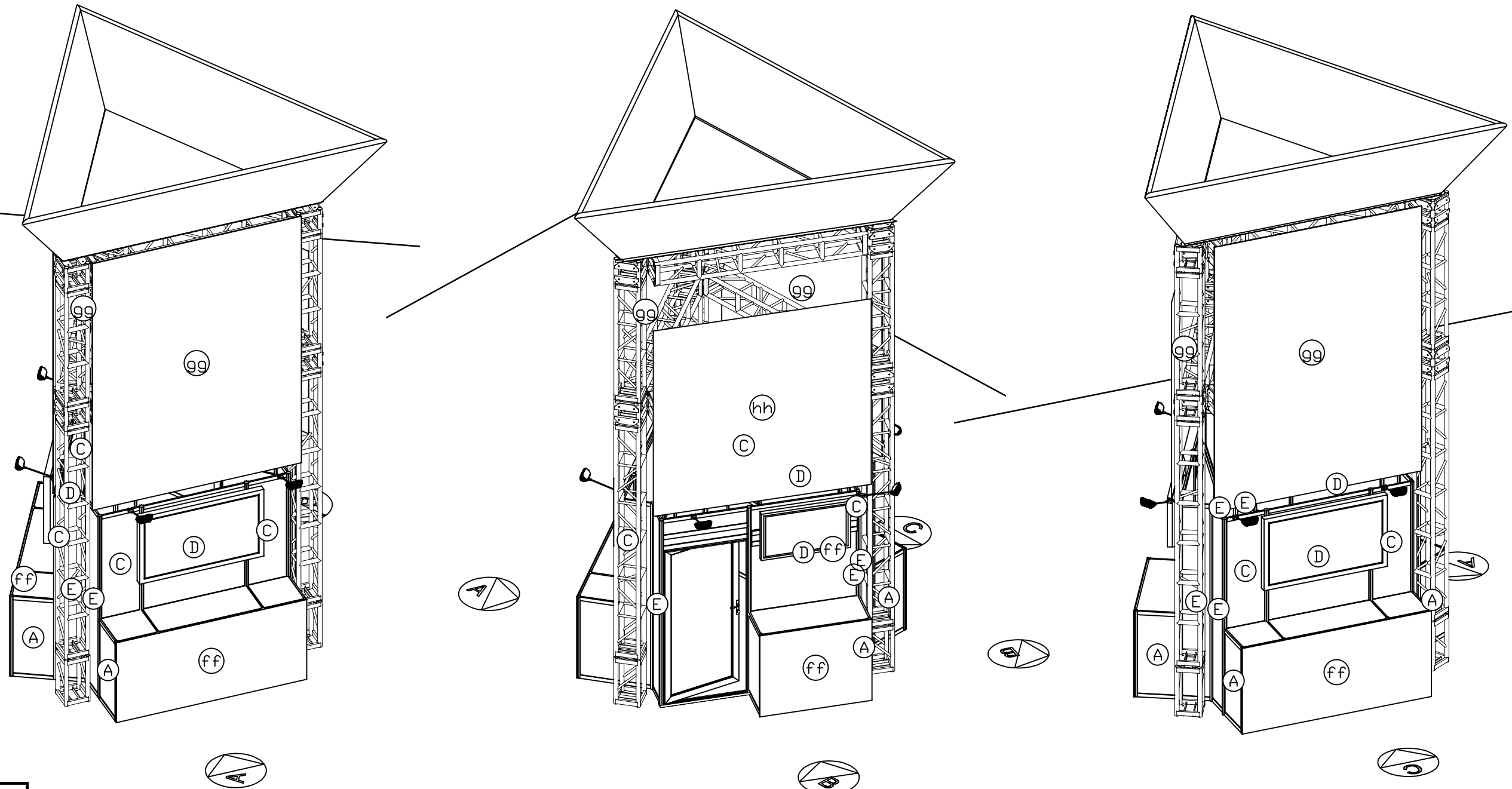
* 0 0 2 6 1 5 6 5 0 1 - 1 0 1 6 - 0 *

MORE THAN 30 DAYS OUT

* 0 0 2 6 1 5 6 5 0 1 - 1 0 1 6 - 1 *



STRUCTURE VIEW



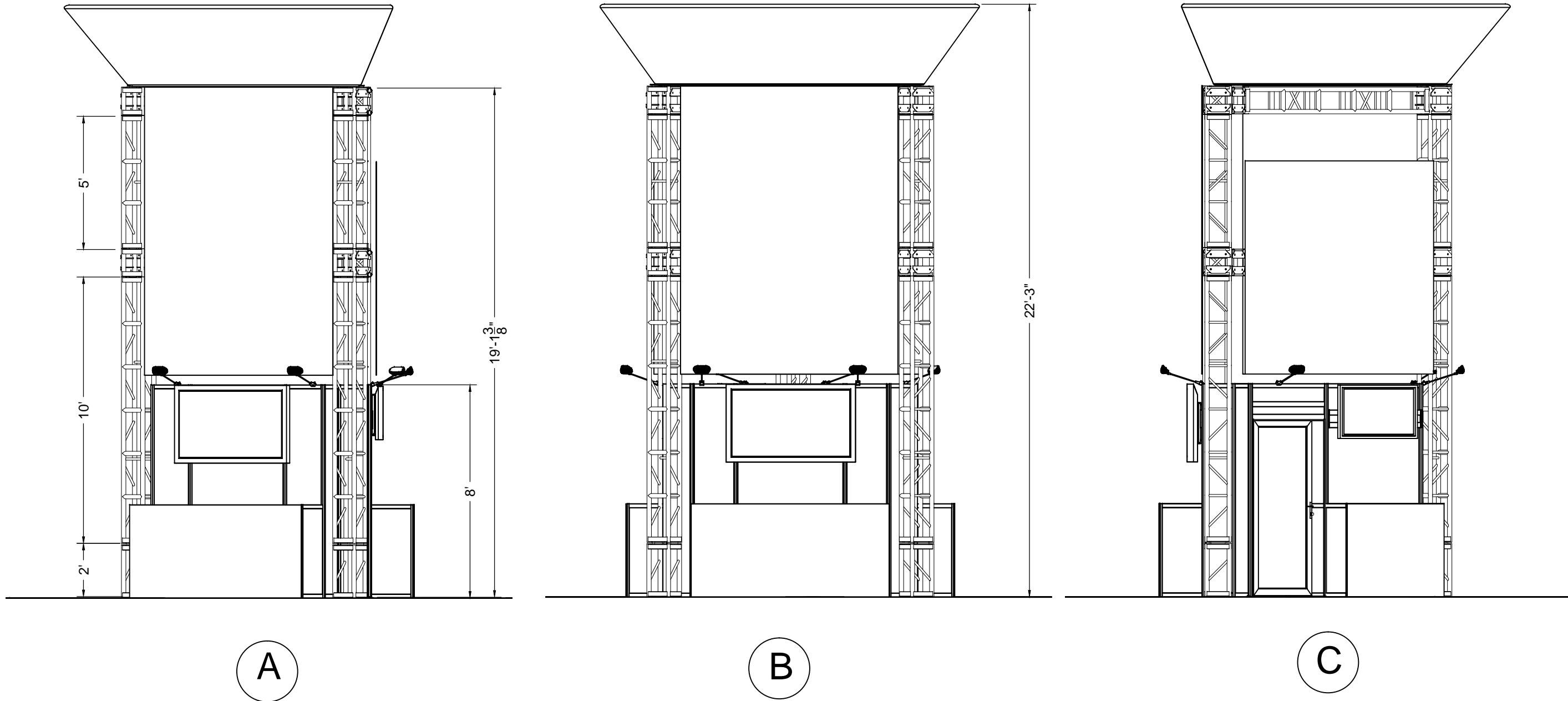
3D VIEW - 1

LESS THAN 30 DAYS OUT

* 0 0 2 6 1 5 6 5 0 1 - 1 0 1 6 - 0 *

MORE THAN 30 DAYS OUT

* 0 0 2 6 1 5 6 5 0 1 - 1 0 1 6 - 1 *



A

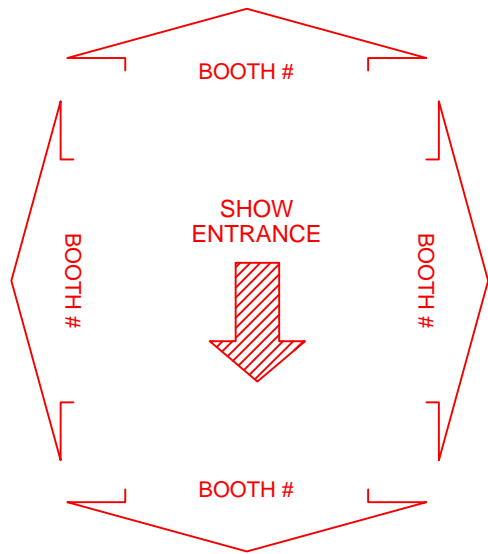
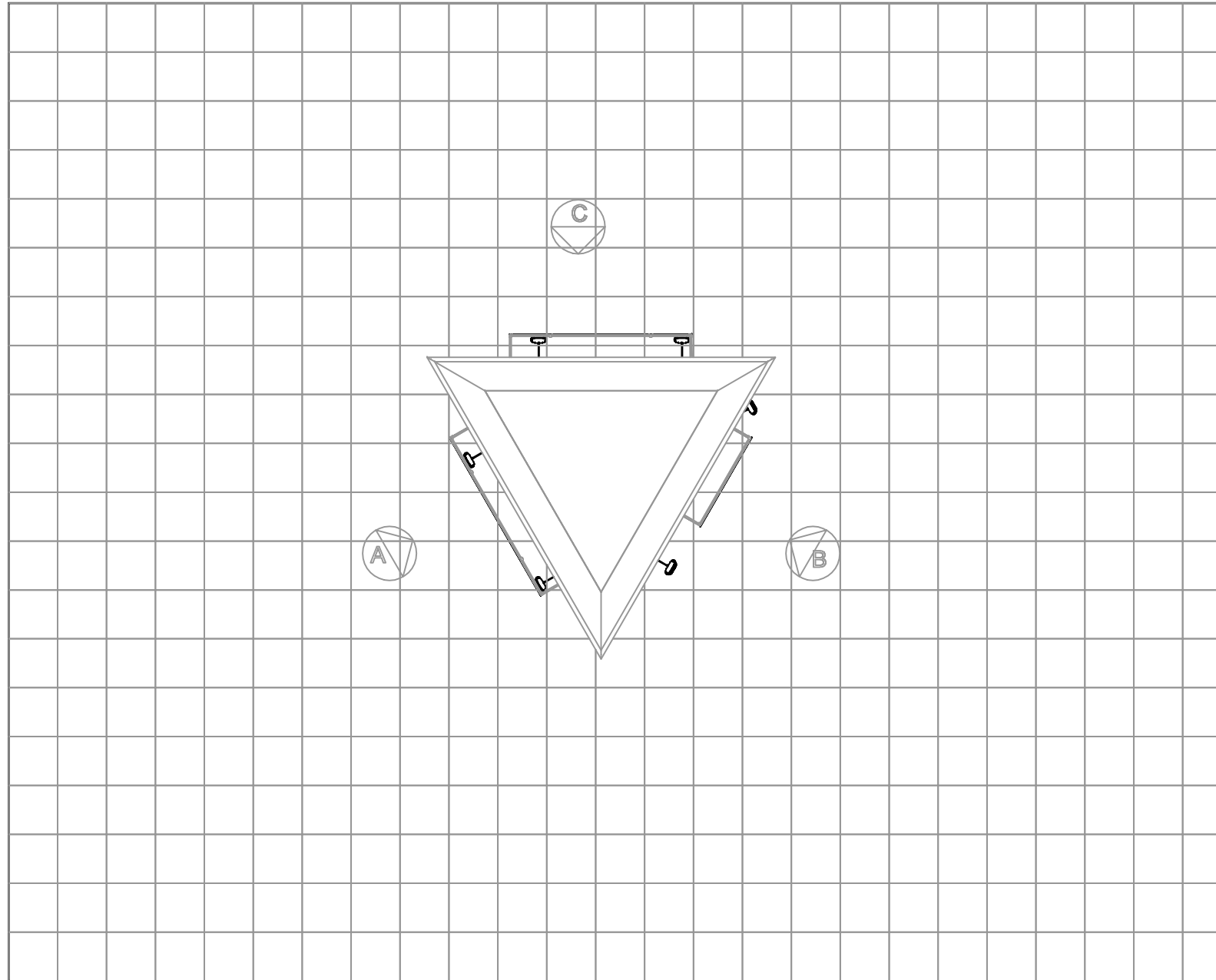
B

C

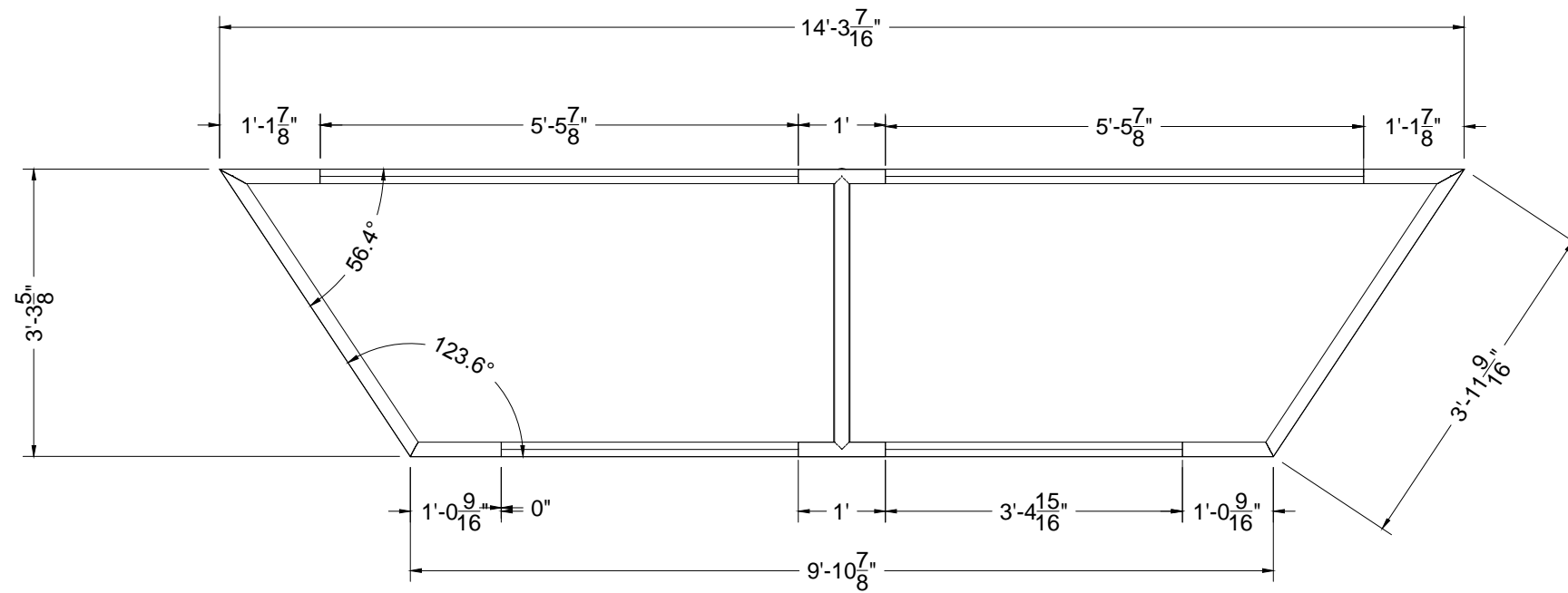
FRONT ELEVATION
Scale: 1/4" = 1'-0"

Unnamed

I.D.	Qty	Type	Size	Area (SqFt)	Part Number	Description	Material	Color	Notes
	7	P80	96"			8'-0"	Aluminum	Silver	
	3	P60	96"			8'-0"	Aluminum	Silver	
	4	P50	42"			3'-6" (42")	Aluminum	Silver	
	3	P50	96"			8'-0"	Aluminum	Silver	
	6	P31	42"			3'-6" (42")	Aluminum	Silver	
	6	Offset	7-7/8"			H200 Stub	Aluminum	Silver	
	12	H45	12-1/8"			1/4MD	Aluminum	Silver	
	32	H45	17-7/8"			1/2M	Aluminum	Silver	
	15	H45	47-3/8"			1-1/4M	Aluminum	Silver	
	3	H200 Plasma	47-3/8"			1-1/4M	Aluminum	Silver	
A	14	Wall Panel	18-3/8" x 39"	4.98		1/2M x 3'-6" Panel	PVC	White	
B	6	Wall Panel	47-7/8" x 39"	12.97		1-1/4M x 3'-6" Panel	PVC	White	
C	4	Wall Panel	18-3/8" x 52-3/4"	6.73		1/2M x 4'-7-3/4" Panel	PVC	White	
D	3	Wall Panel	47-7/8" x 52-3/4"	17.54		1-1/4M x 4'-7-3/4" Panel	PVC	White	
E	6	Wall Panel	12-5/8" x 93"	8.15		1/4MD x 8'-0" Panel	PVC	White	
ff	3	Graphic Panel	89-5/16" x 42"			graphic base panel	Sintra	Graphic	
	1	Door	1M			1M Standard MIS Door	Standard	Standard	
gg	2	Banner	129" x 98"			pockets top and bottom	Fabric	Graphic	
hh	1	Banner	96" x 98"	0		pockets top & bottom	Fabric	Graphic	
	3	Counter Top	1-1/4M x 1/2M			Inset Rectangle	Standard	Black	
	4	Counter Top	1/2M x 1/2M			Inset Rectangle	Standard	Black	
	3	Theatrical Truss	Standard			LDT-10'	Aluminum	Silver	
	3	Theatrical Truss	Standard			LDT-2'	Aluminum	Silver	
	3	Theatrical Truss	Standard			LDT-5'	Aluminum	Silver	
	6	Theatrical Truss	Standard			LDT-8'	Aluminum	Silver	
	6	Theatrical Truss	Standard			LDT-CornerBlock-5way	Aluminum	Silver	
	6	Misc Part	12x12			Custom Truss Connector	Alum	Alum	
	6	Lighting	Standard			Arm Lights-Skanda Light	Standard	Standard	
	1	Electronics	Standard			42" Plasma	Standard	Standard	
	2	Electronics	61"			61"-Plasma Screen	Standard	Standard	



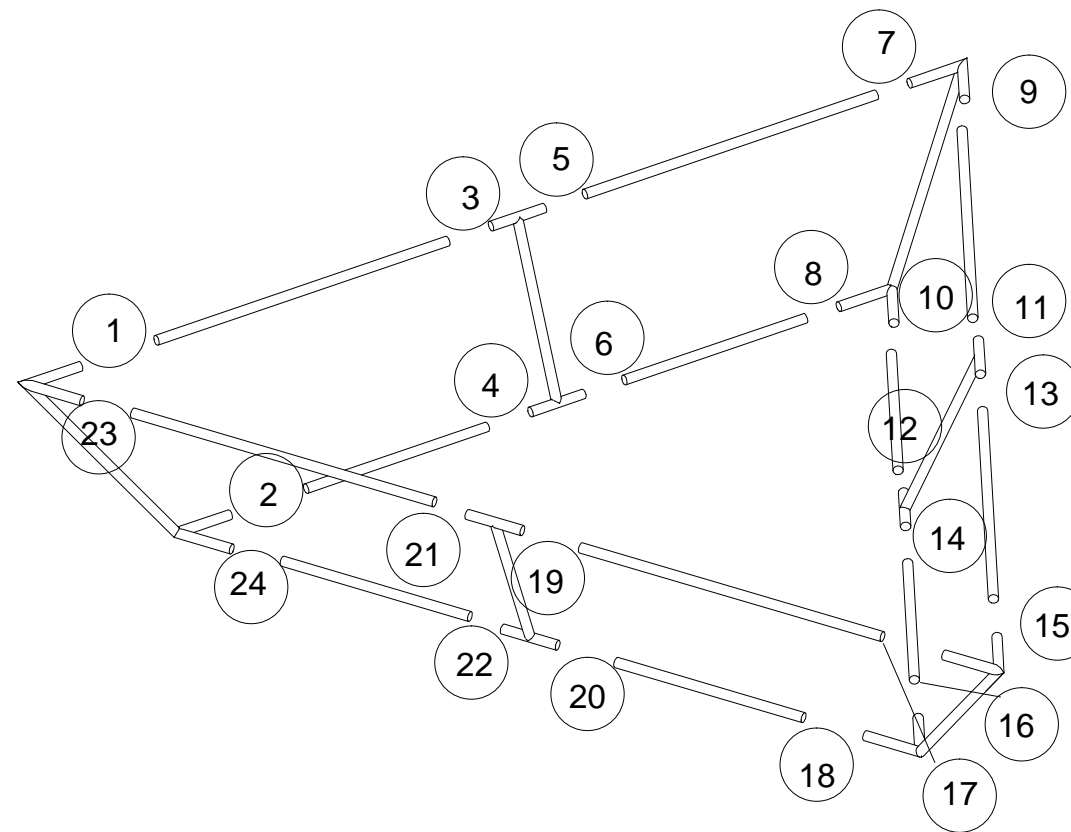
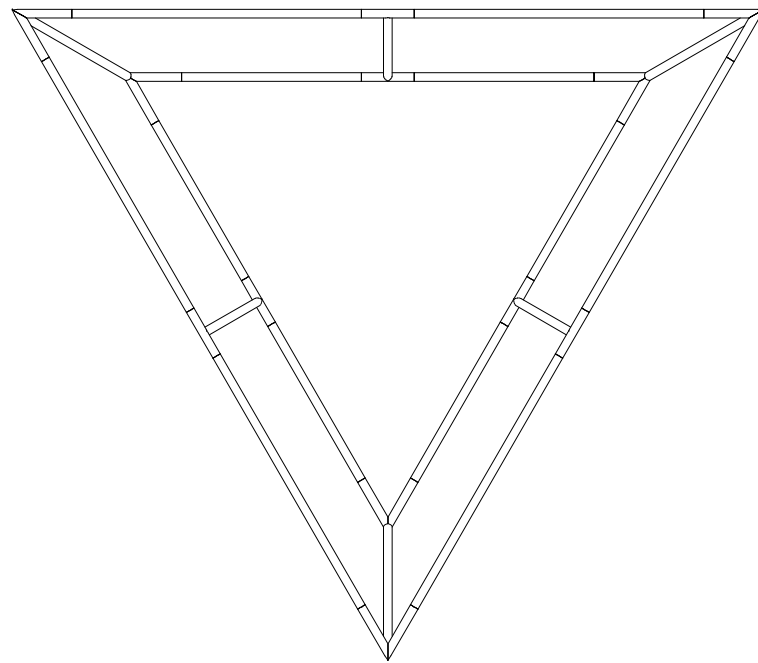
ELECTRICAL LAYOUT
Scale: 0.013817

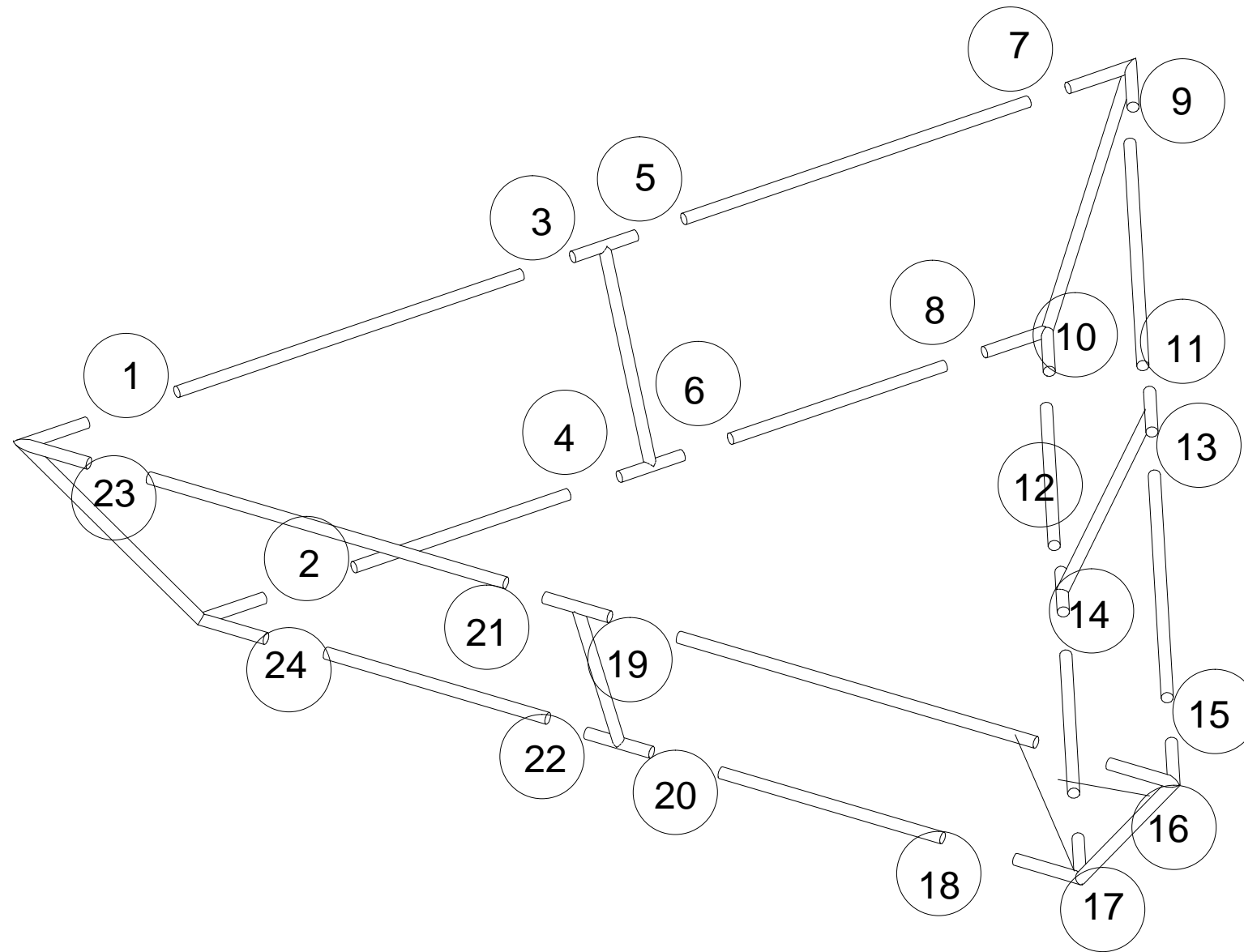


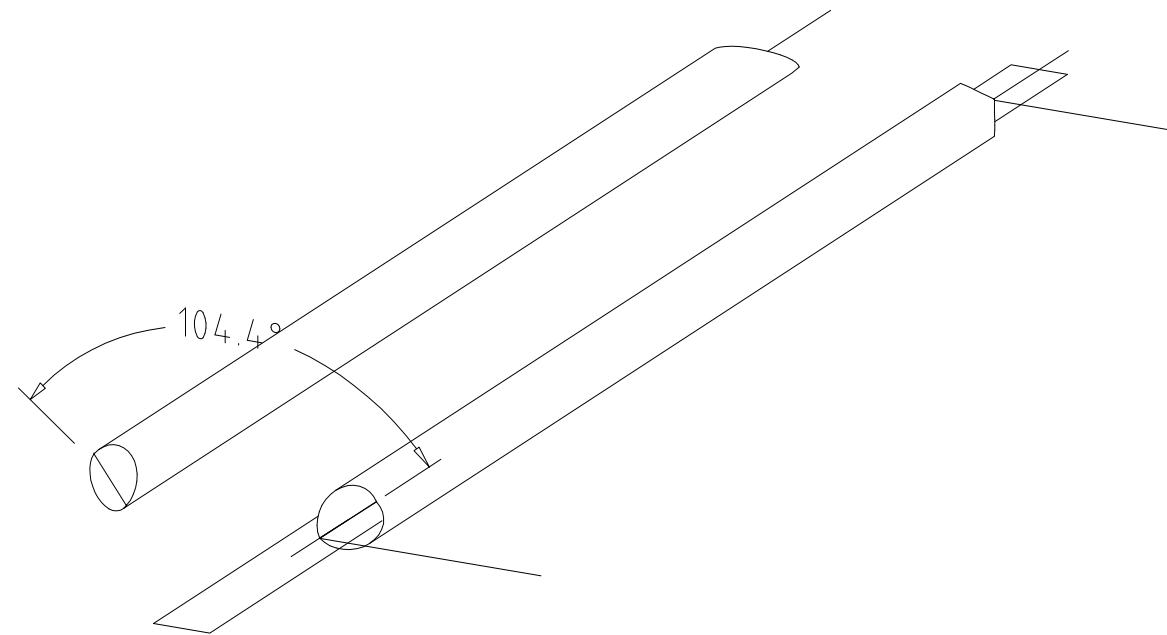
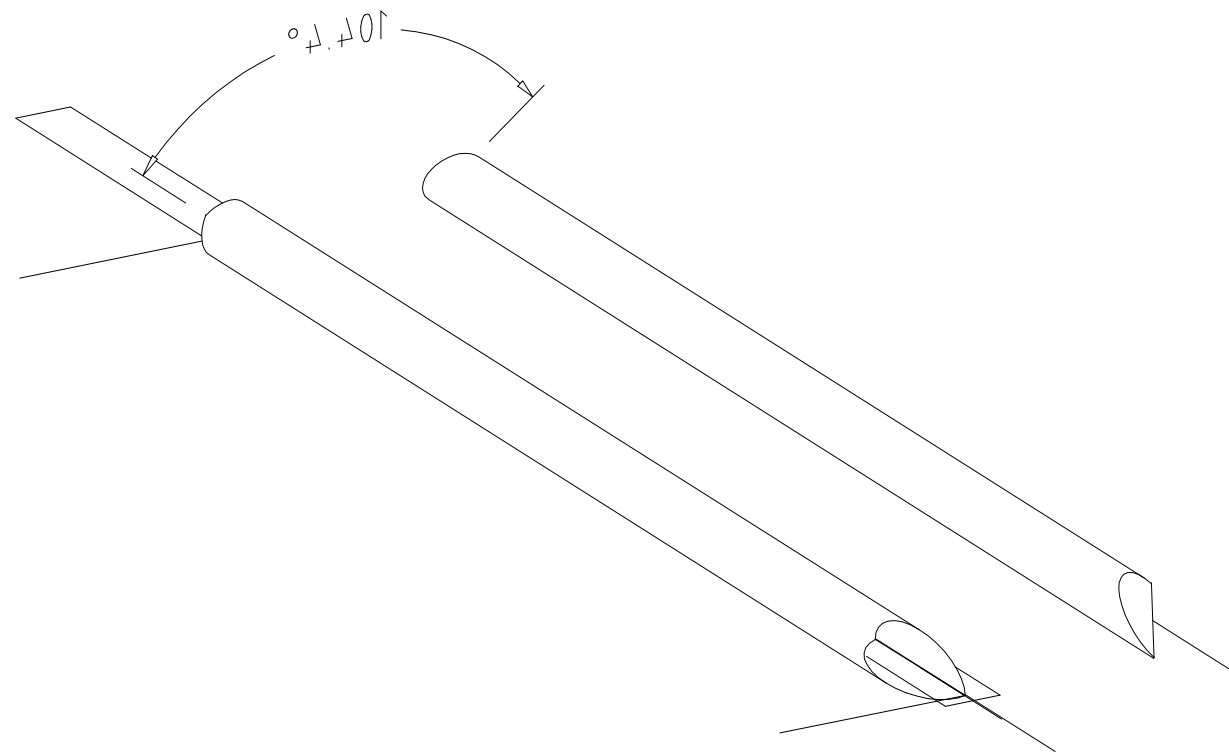
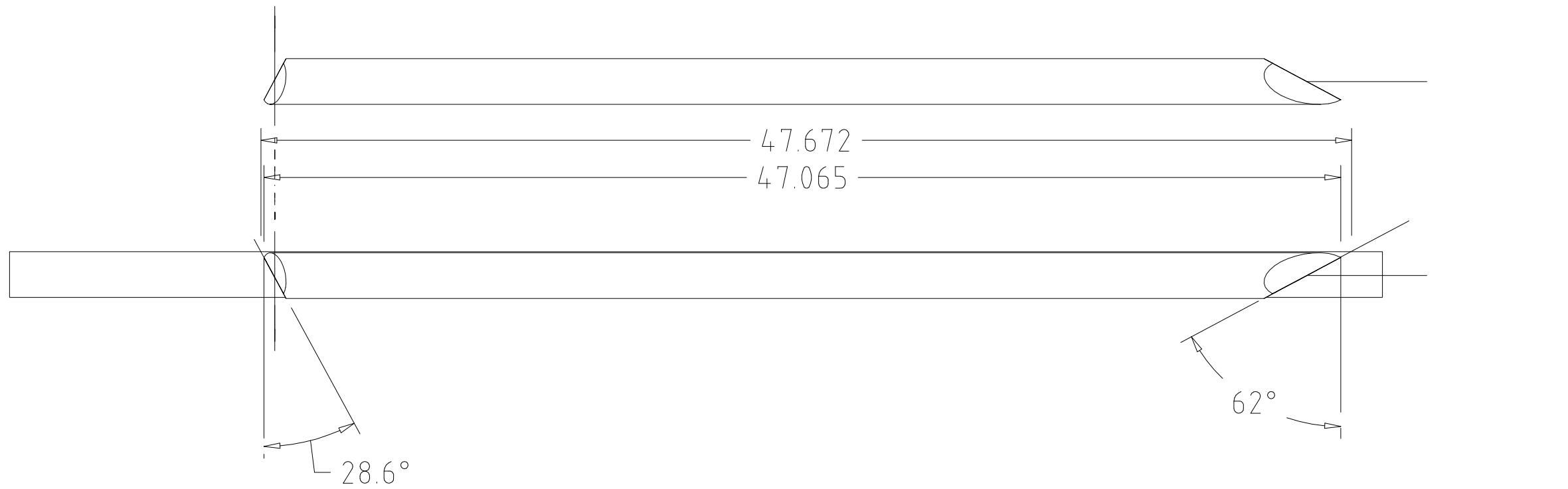
HEADER GRAPHIC PANEL TRUE SIZE VIEW

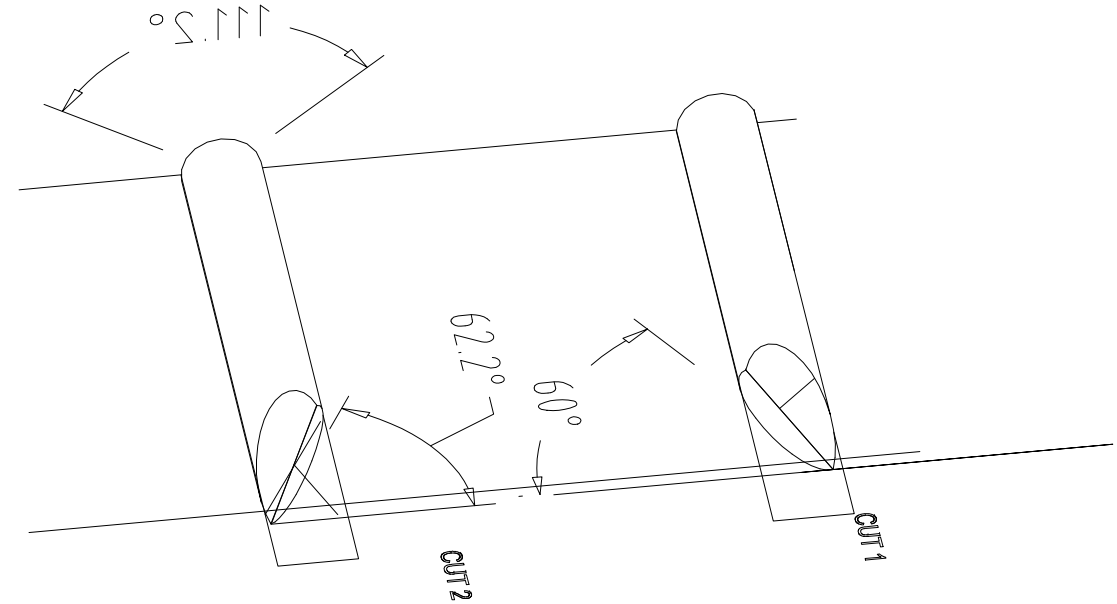
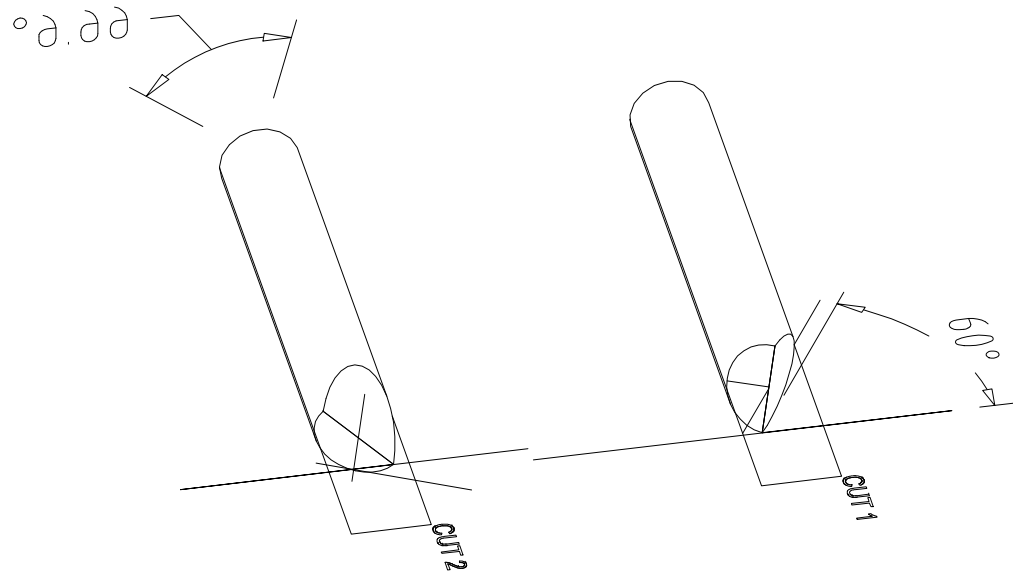
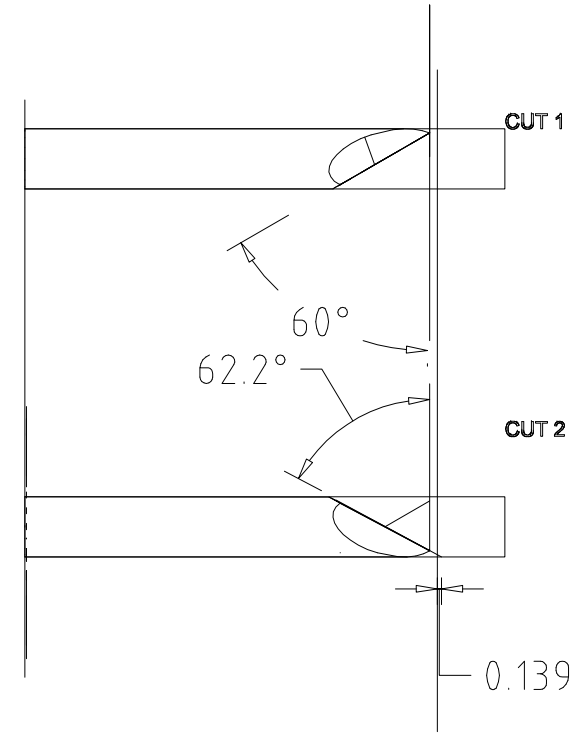
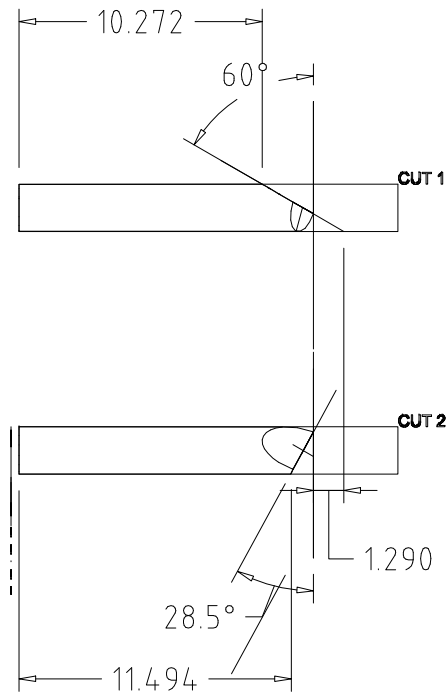
FRONT ELEVATION

Scale: 1/2" = 1'-0"



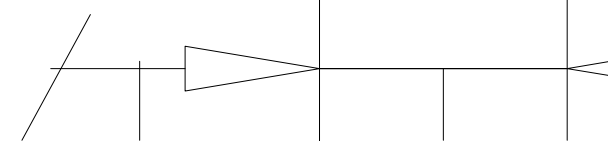






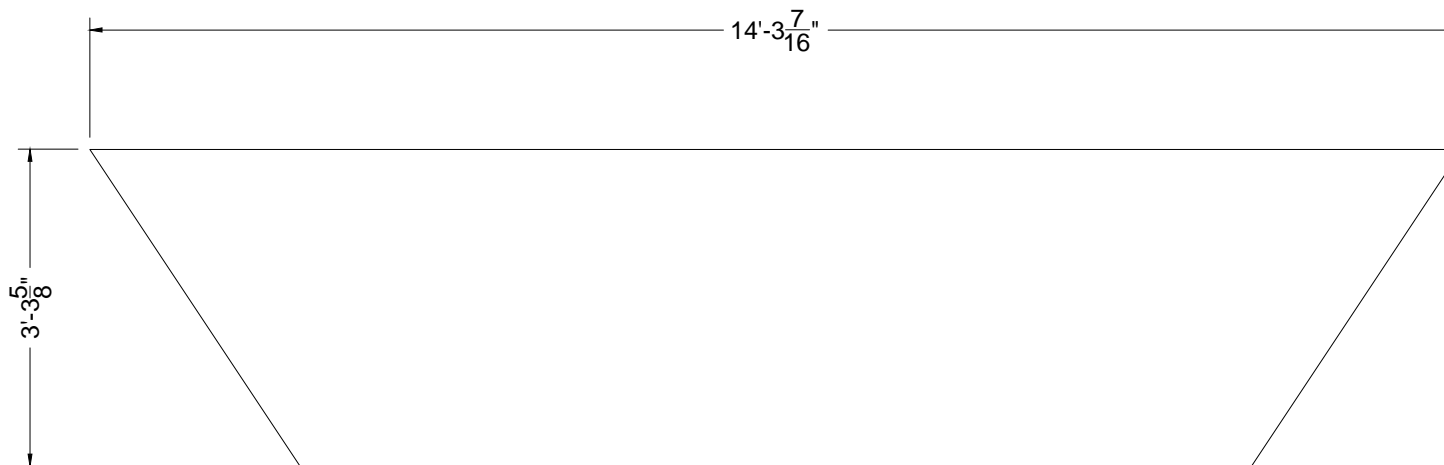


FULL SIZE PATTERNS FOR CORNER PEICES





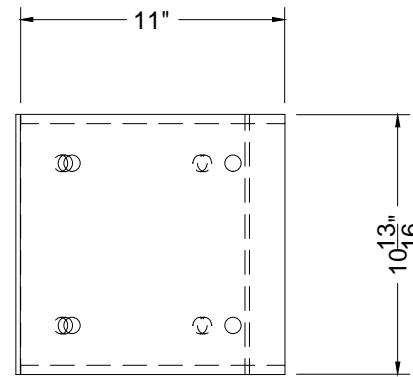
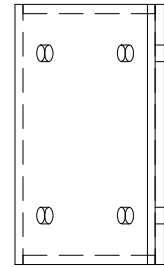
FULL SIZE PATTERNS FOR CORNER PEICES



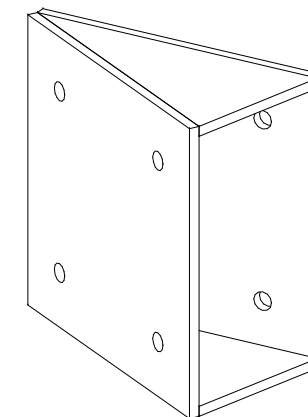
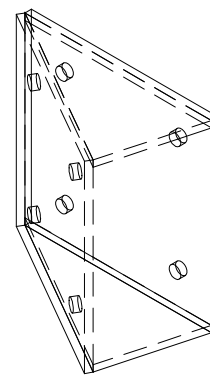
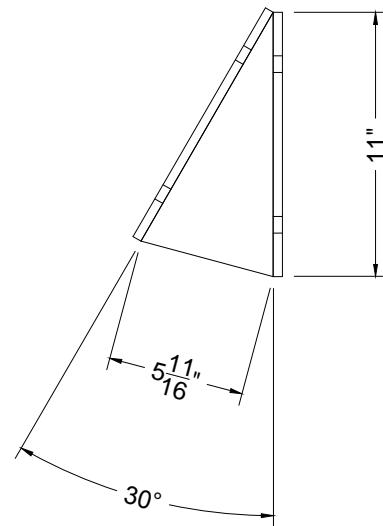
HEADER GRAPHIC PANEL TRUE SIZE VIEW

FRONT ELEVATION

Scale: 1/2" = 1'-0"



CUSTOM TRUSS BRACKET
1/2" ALUM PLATE (TYP)
BOLT HOLES MUST BE VERIFIED
TO FIT ACTUAL PURCHASED TRUSS
ALL SEAMS FULLY WELDED



3D VIEW - 2