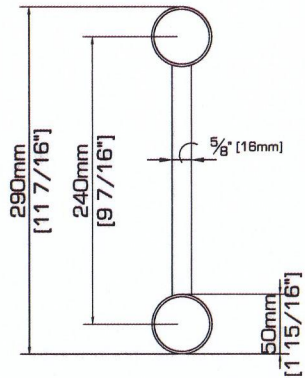
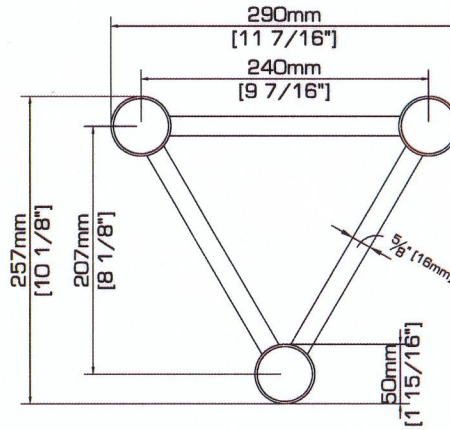


**M290B QuickTruss
LADDER (DUO) END VIEW**



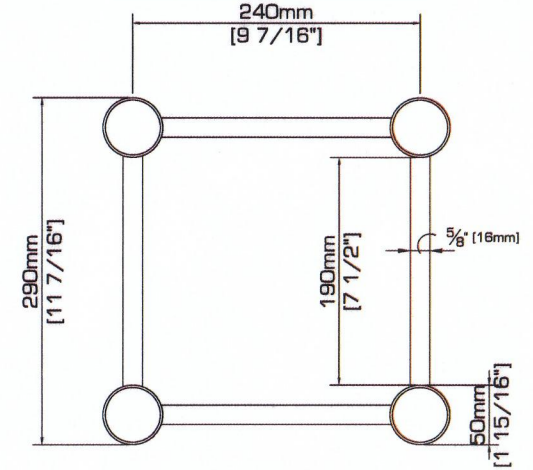
M290B QuickTruss IS CONSTRUCTED FROM 2"x.08" THICK MAIN TUBES WITH 5/8"x.08" DIAGONALS.

**M290B QuickTruss
TRI (TRIO) TRUSS END VIEW**

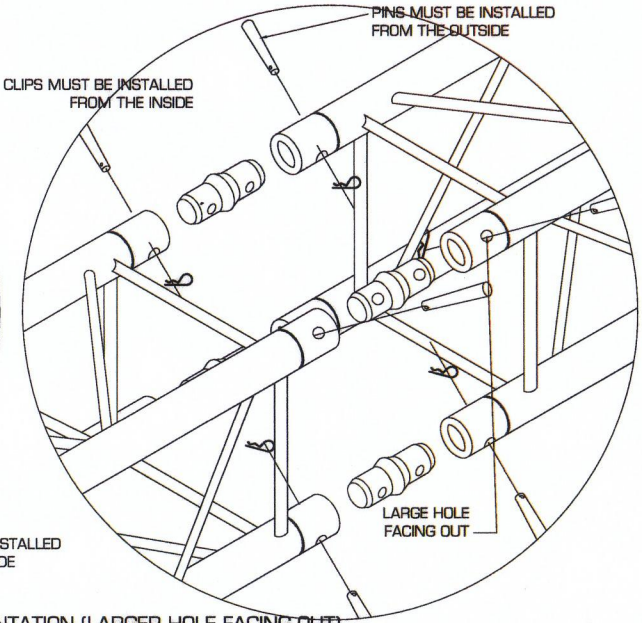
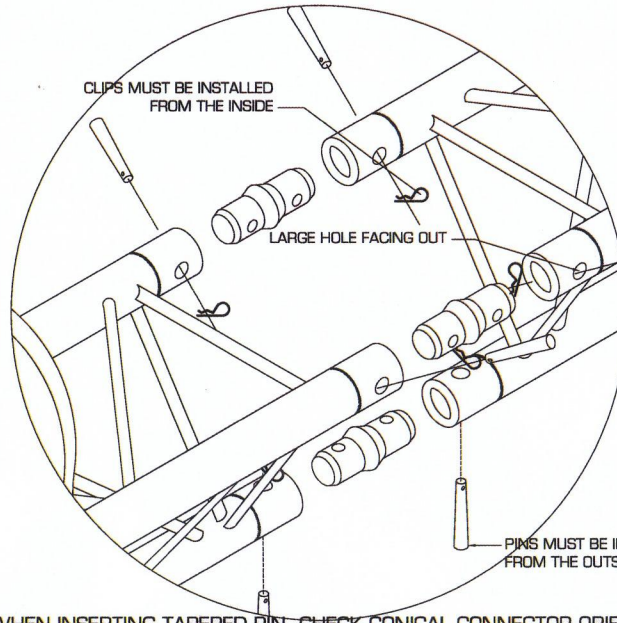
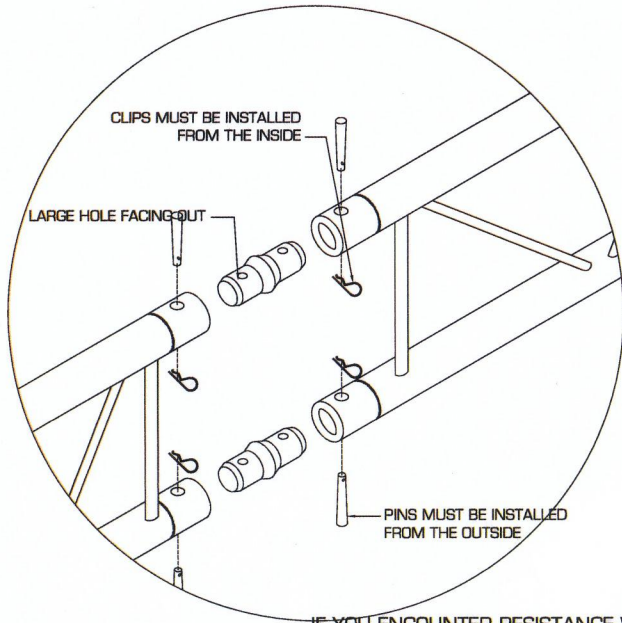


M290B QuickTruss IS CONSTRUCTED FROM 2"x.08" THICK MAIN TUBES WITH 5/8"x.08" DIAGONALS.

**M290B QuickTruss
BOX (QUATRO) END VIEW**



M290B QuickTruss IS CONSTRUCTED FROM 2"x.08" THICK MAIN TUBES WITH 5/8"x.08" DIAGONALS.

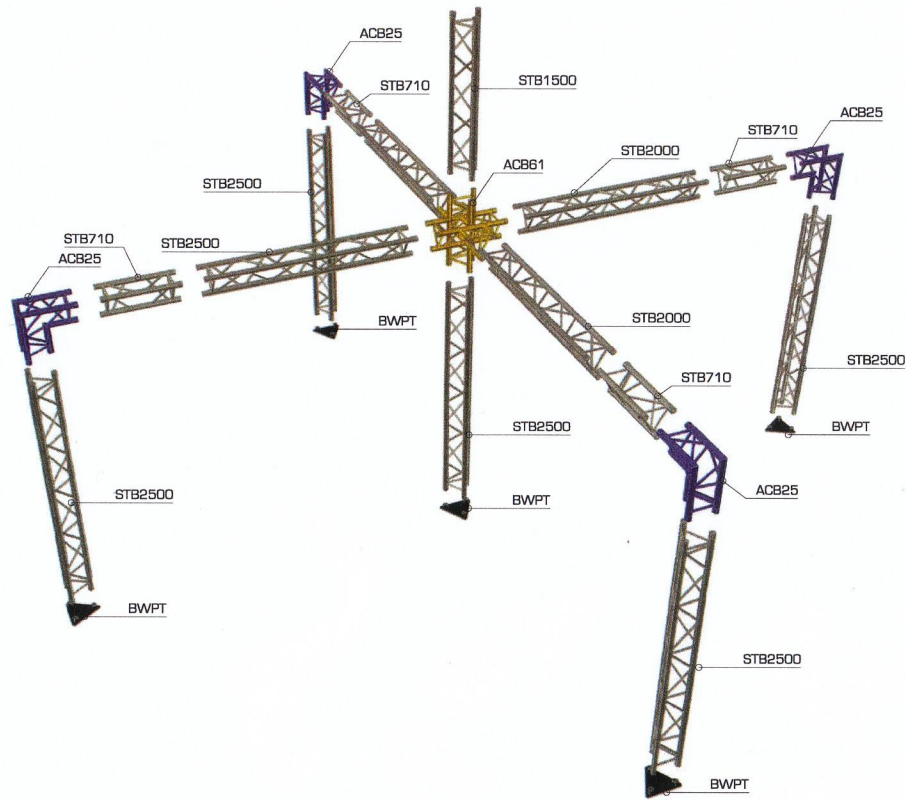


IF YOU ENCOUNTER RESISTANCE WHEN INSERTING TAPERED PIN, CHECK CONICAL CONNECTOR ORIENTATION (LARGER HOLE FACING OUT).

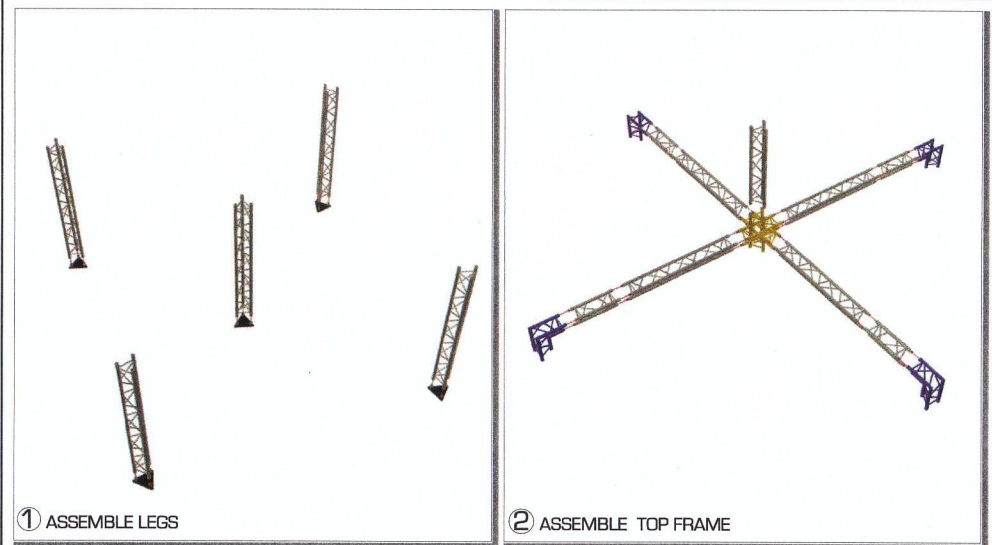
SCALE	REVISION	DRAWING NAME
N.T.S.	03-14-08	CONNECTIONS
DRAWN BY	05-22-08	UNITS FT-INS [mm]
CR		SHEET 1 OF 1

CONNECTION ASSEMBLY

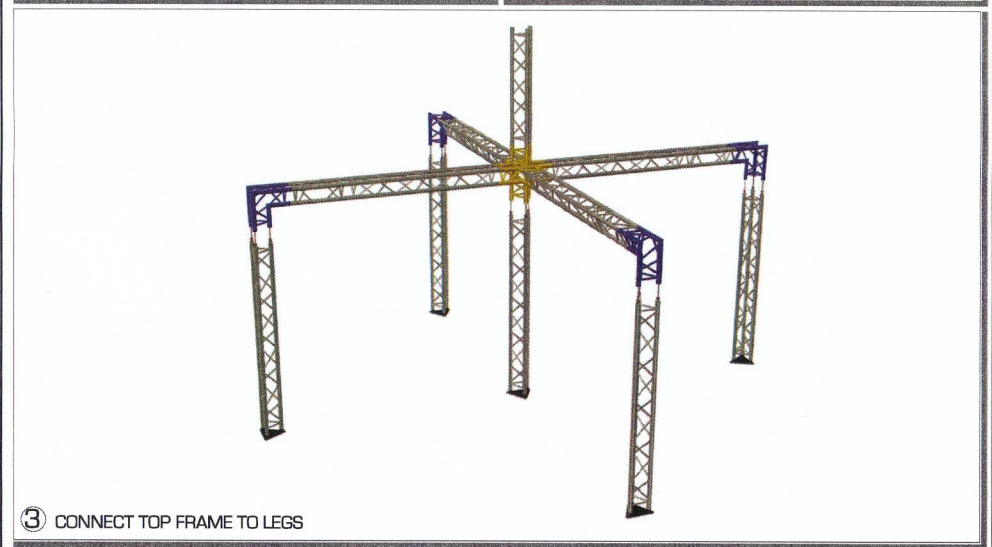
NOTE 1: BOTH HOLES IN TUBE AND CONNECTOR AND PINS ARE TAPERED. PINS SHOULD BE INSERTED THROUGH THE OUTSIDE OF THE SYSTEM AS SHOWN. NOTE 2: IT IS NORMAL FOR SOME PINS/CONNECTORS TO BE TIGHT AT FIRST. A HARD PLASTIC Mallet MAY BE USED TO INSTALL TIGHT PINS.



EXPLODED VIEW



2 ASSEMBLE TOP FRAME



ASSEMBLY INSTRUCTIONS



NOTE 1: BOTH HOLES (IN TUBE AND CONNECTOR) AND PINS ARE TAPERED. PINS SHOULD BE INSERTED THROUGH THE OUTSIDE OF THE SYSTEM AS SHOWN. NOTE 2: IT IS NORMAL FOR SOME PINS/CONNECTORS TO BE TIGHT AT FIRST. A HARD PLASTIC Mallet MAY BE USED TO INSTALL TIGHT PINS.

SET UP INSTRUCTIONS:

1. CONNECT BOTTOM AND TOP RAILS OF SECTION "A" FOLLOWING THE LABELS
2. CONNECT SIDE RAILS
3. REPEAT STEPS 1 AND 2 FOR SECTION "B" AND "C"
4. CLEAN THE FRAMES AND PLACE THEM ON CLEAN PLACE
5. CAREFULLY REMOVE FABRIC COVERS FROM BAG
6. PLACE COVERS AROUND THE BOTTOM OF THE FRAMES
7. PULL COVERS CAREFULLY UP TO THE TOP
8. CLOSE ALL ZIPPERS
9. ADJUST FABRIC AROUND THE FRAMES
10. CONNECT SECTIONS "A", "B" AND "C" TOGETHER AS SHOWN
11. CONNECT CABLE HARNESS TO THE EYEBOLTS

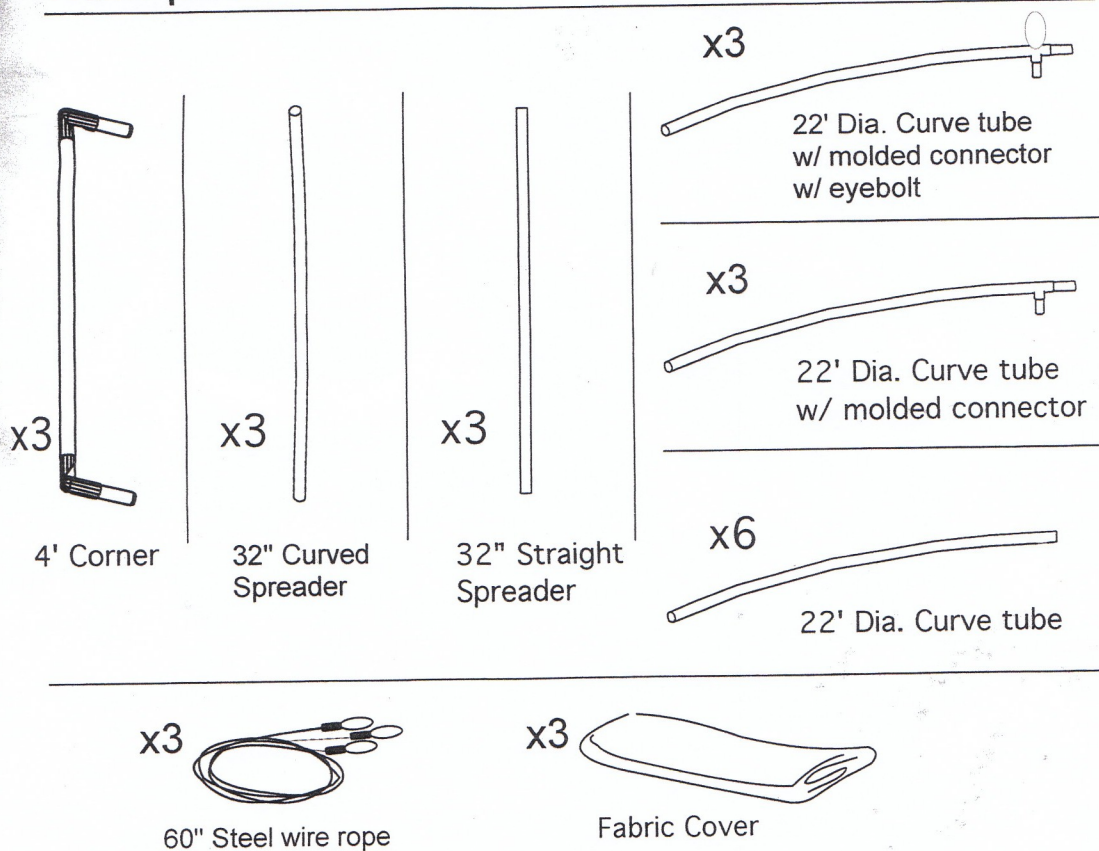
BREAK DOWN INSTRUCTIONS:

REVERSE SET-UP STEPS TO BREAKDOWN FRAME

FABRIC CARE INSTRUCTIONS:

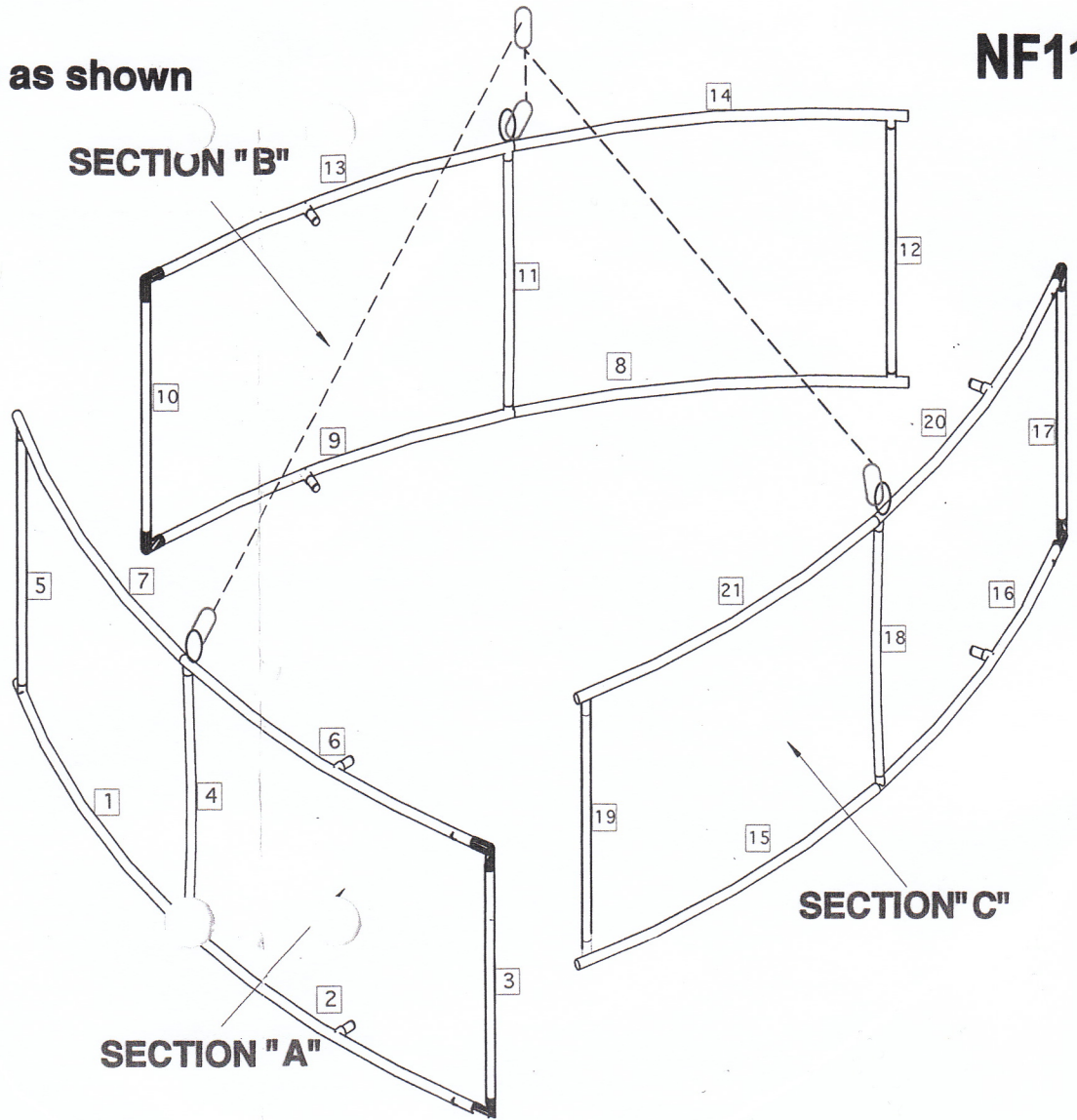
1. UNZIP COVER ZIPPERS
2. CAREFULLY REMOVE FABRIC COVER
3. CLOSE ALL ZIPPERS
4. FOLD OR ROLL NEATLY
5. PLACE FABRIC IN COVER BAG

Frame parts

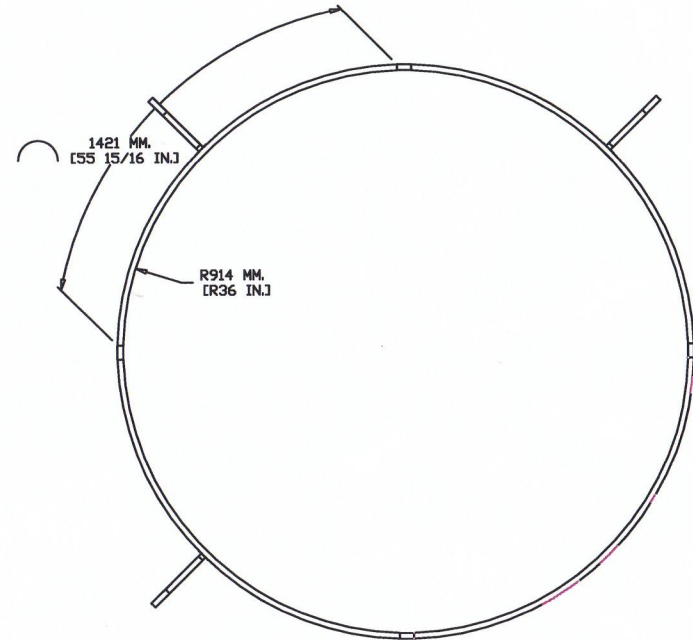
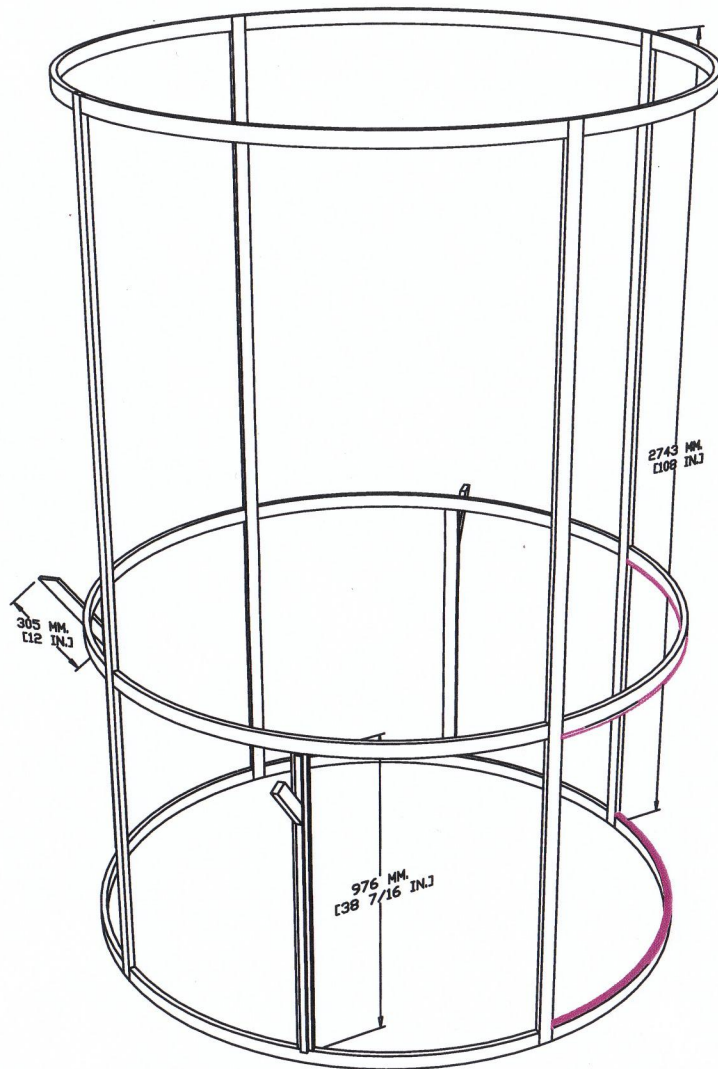


Frame Assembly
Assemble frame as shown

NF11-4







Project		Job No.
Display America		
Drawing No.	Date	Scale
BR.1143-2	11/8/10	NONE
<p>This drawing is the property of the AGAM Group Ltd. and is not to be reproduced or copied in whole or in part. It is only to be used for the project and site specifically identified herein and is not to be used on any other projects. It is to be returned upon request.</p>		

Step 1 - Lay your bottom 4 radius pieces out



Step 2 - Put in vertical starting at labeled peice #2 - #8



Step 3 - Put in your 3' verticals at marked arrow points



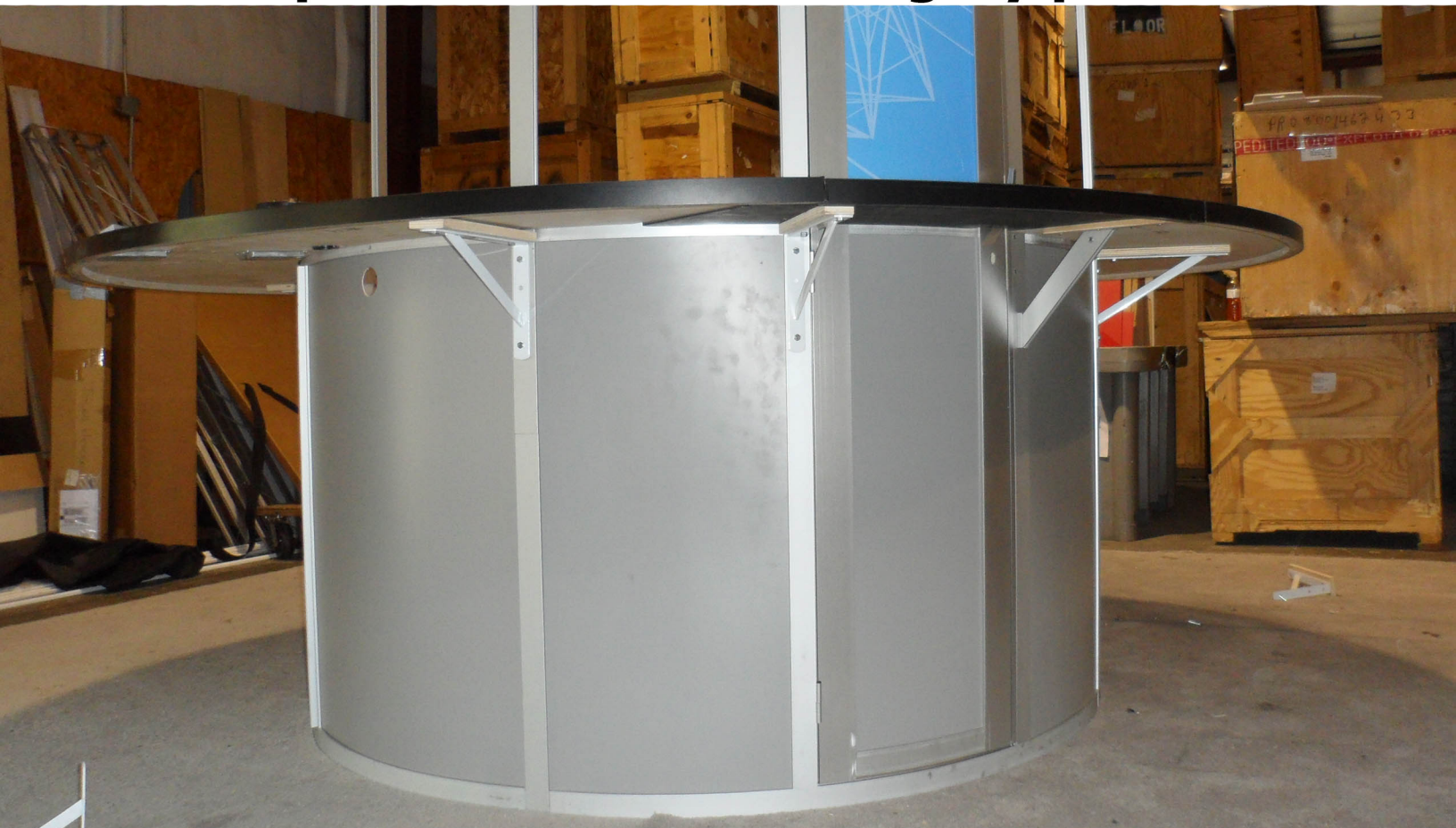
Step 4 - Build the frame of the door using vertical pieces 1&9 and small radius P.H.'s



Step 5- Install countertop brackets



Step 6- Insert the lower gray panels



Step 7- Before installing door header, insert 18" x 39" graphics



Step 8 - Insert rest of graphics



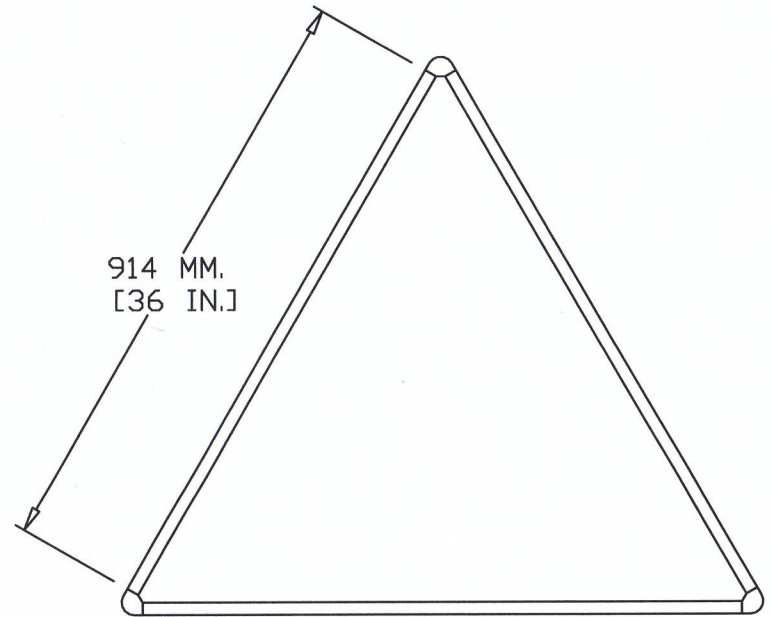
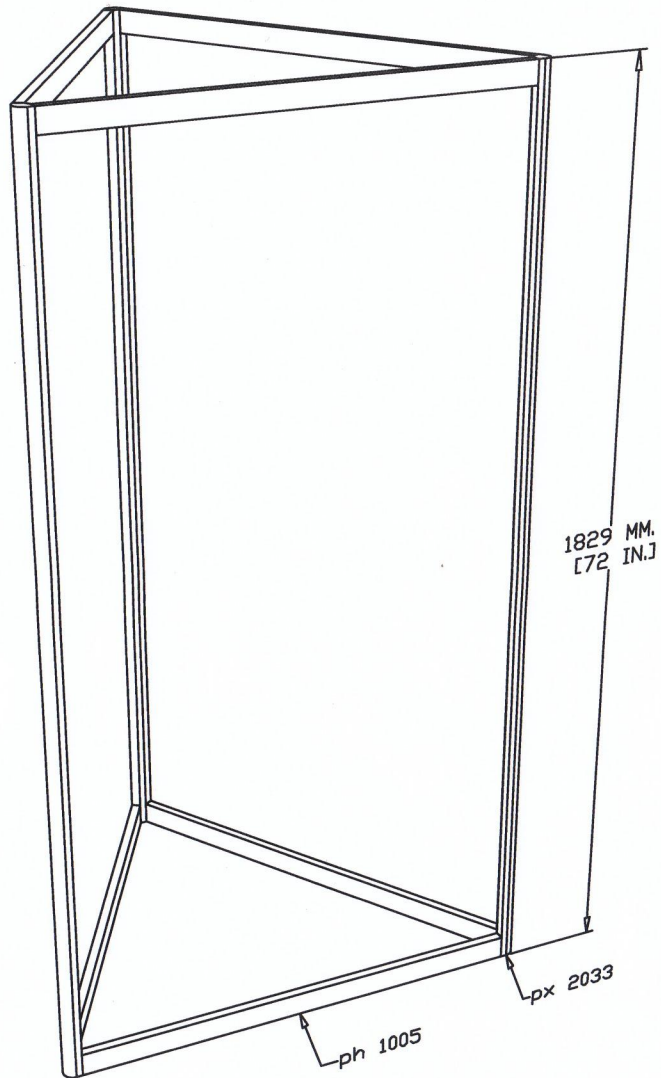
Step 9 - Install top radius pieces



Step 10 - Install door

Step 11 - Install countertops (noting where holes for electrical are & where foldable countertop is)





Project		Job No.
Display America		
Drawing No.	Date	Scale
BR.1143	10/25/10	NONE
<p>This drawing is the property of the AGAM Group Ltd. and is not to be reproduced or copied in whole or in part. It is only to be used for the project and site specifically identified herein and is not to be used on any other projects. It is to be returned upon request.</p>		