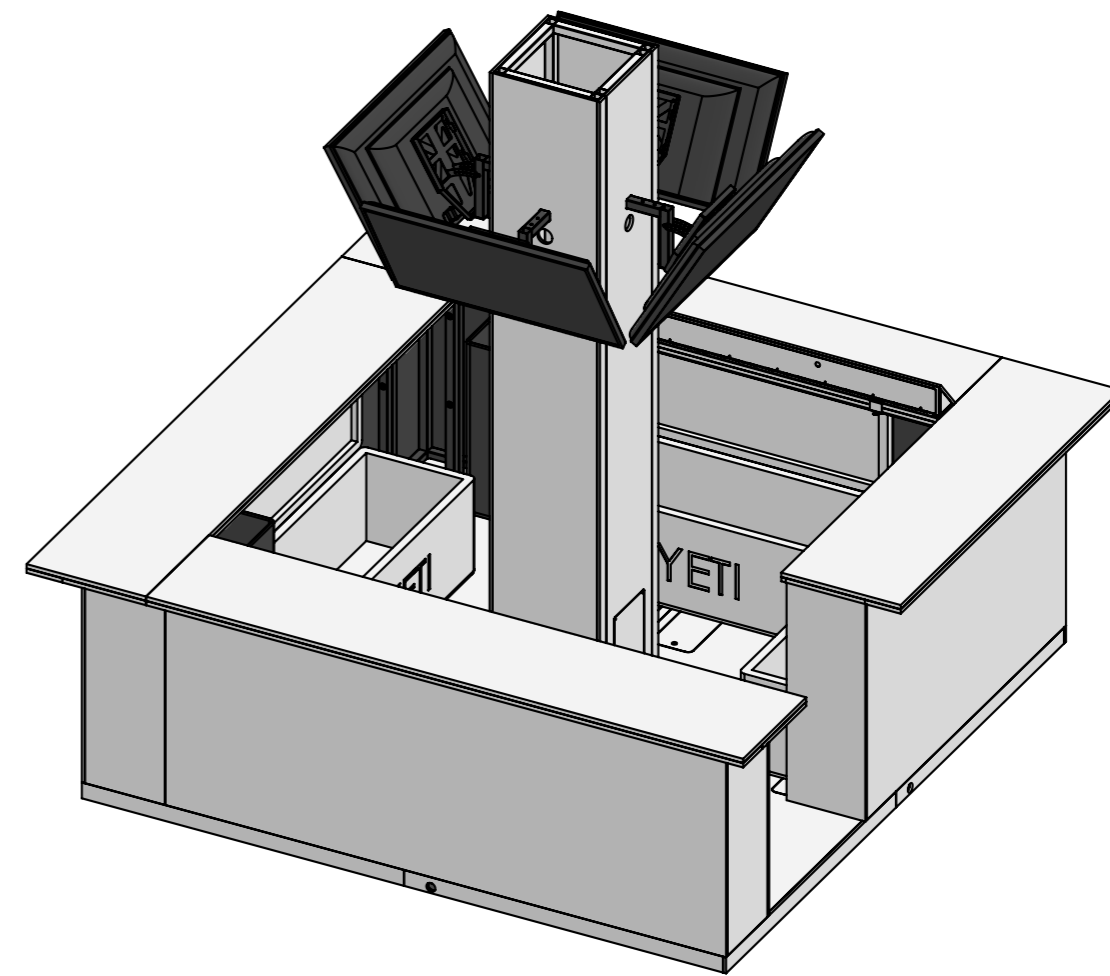
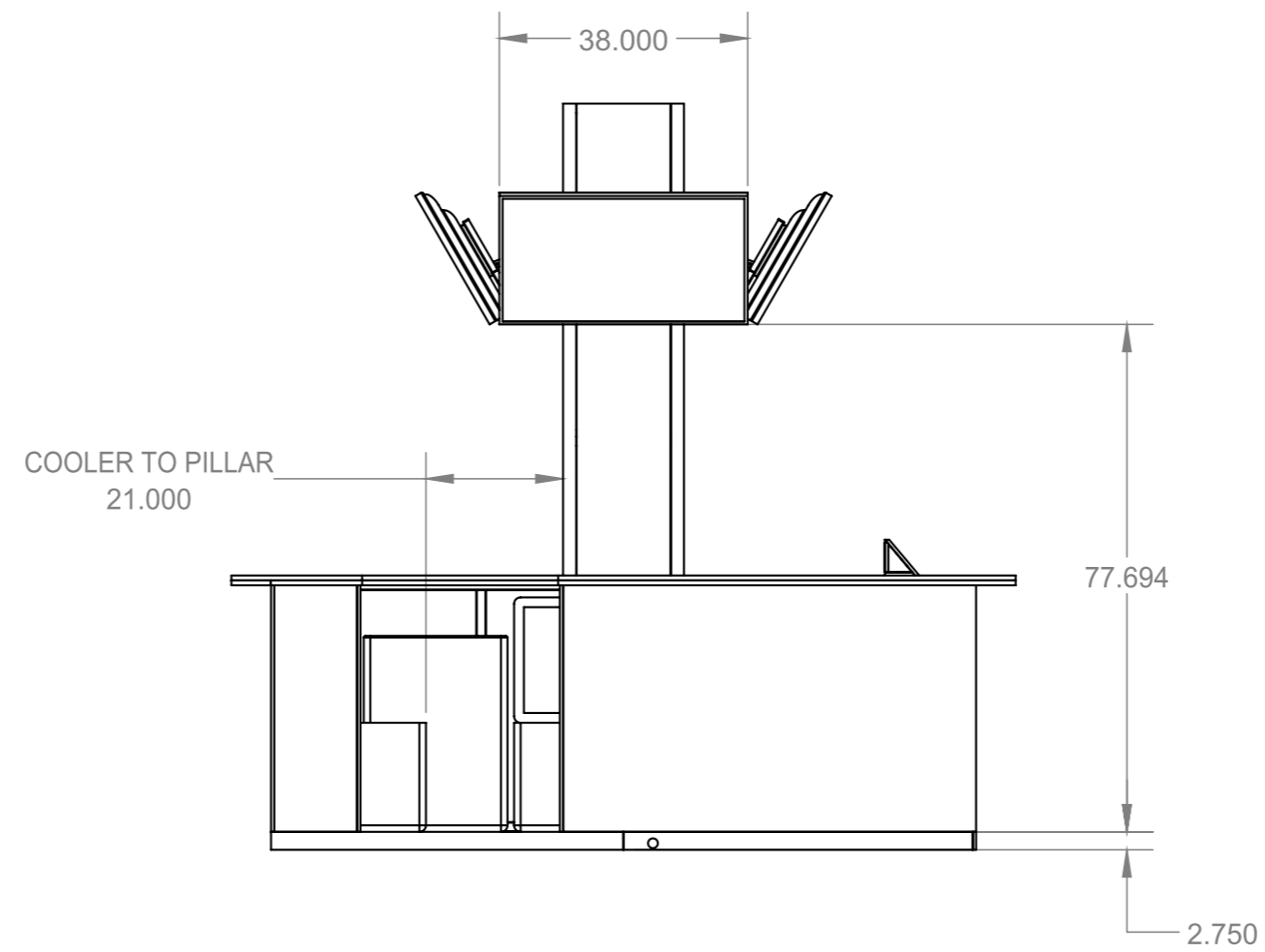
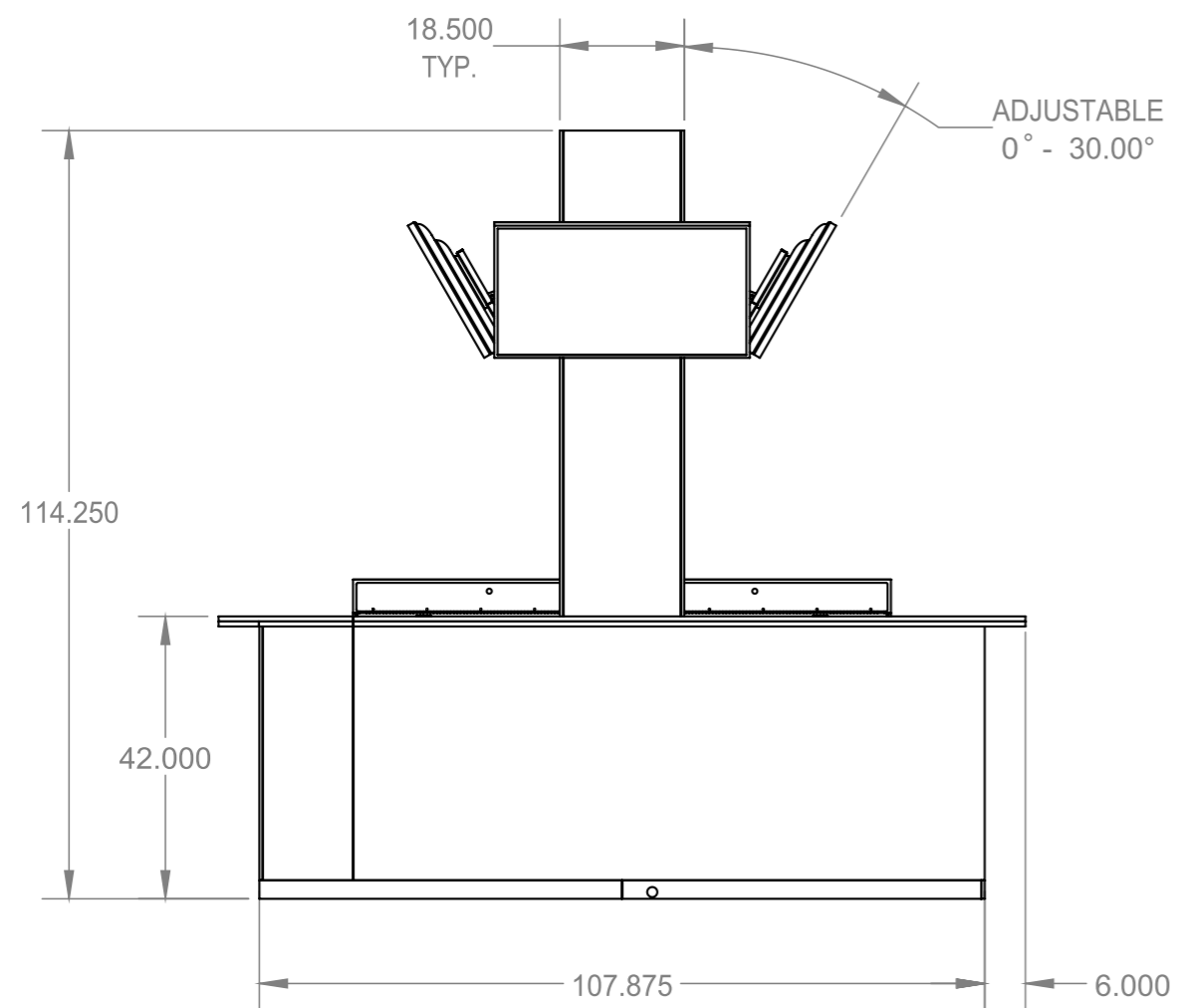
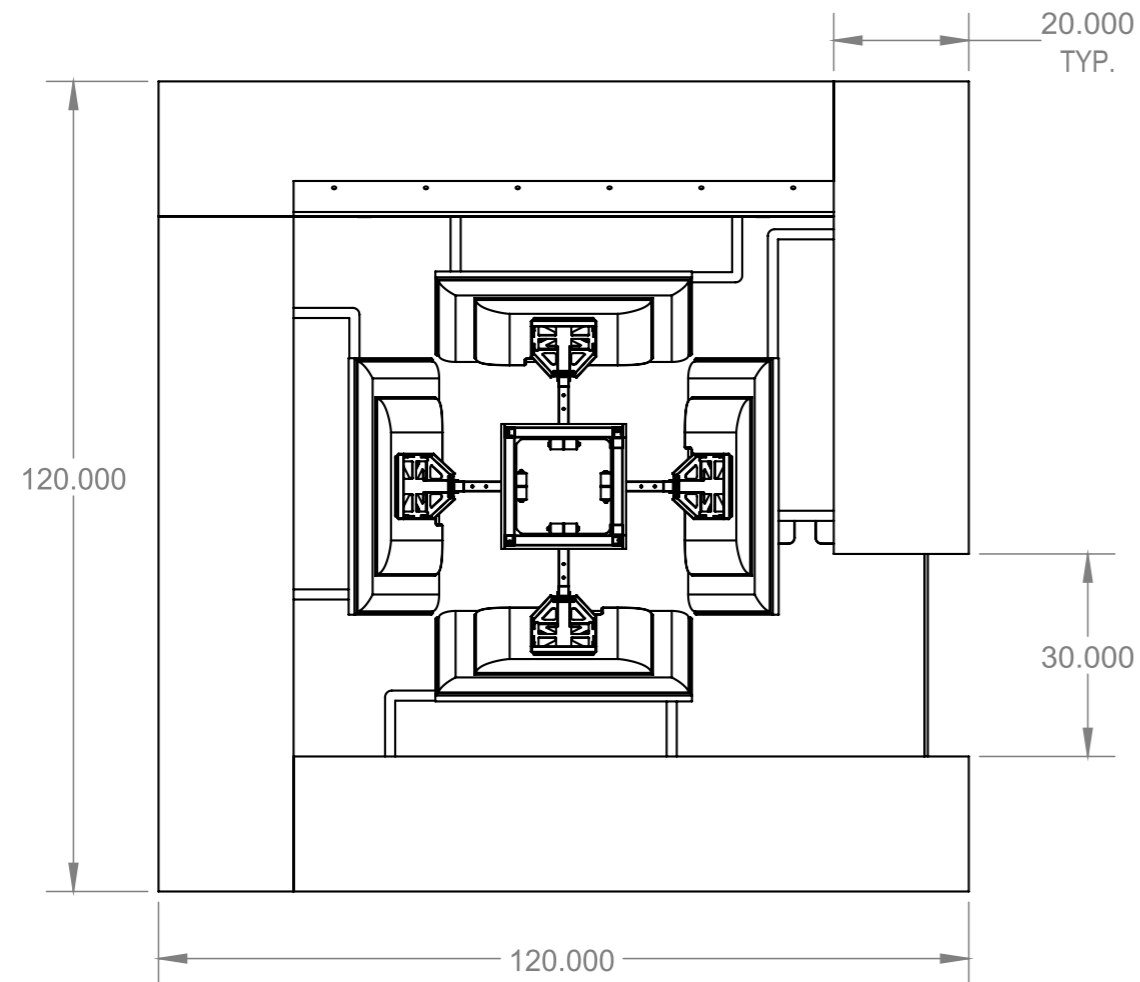
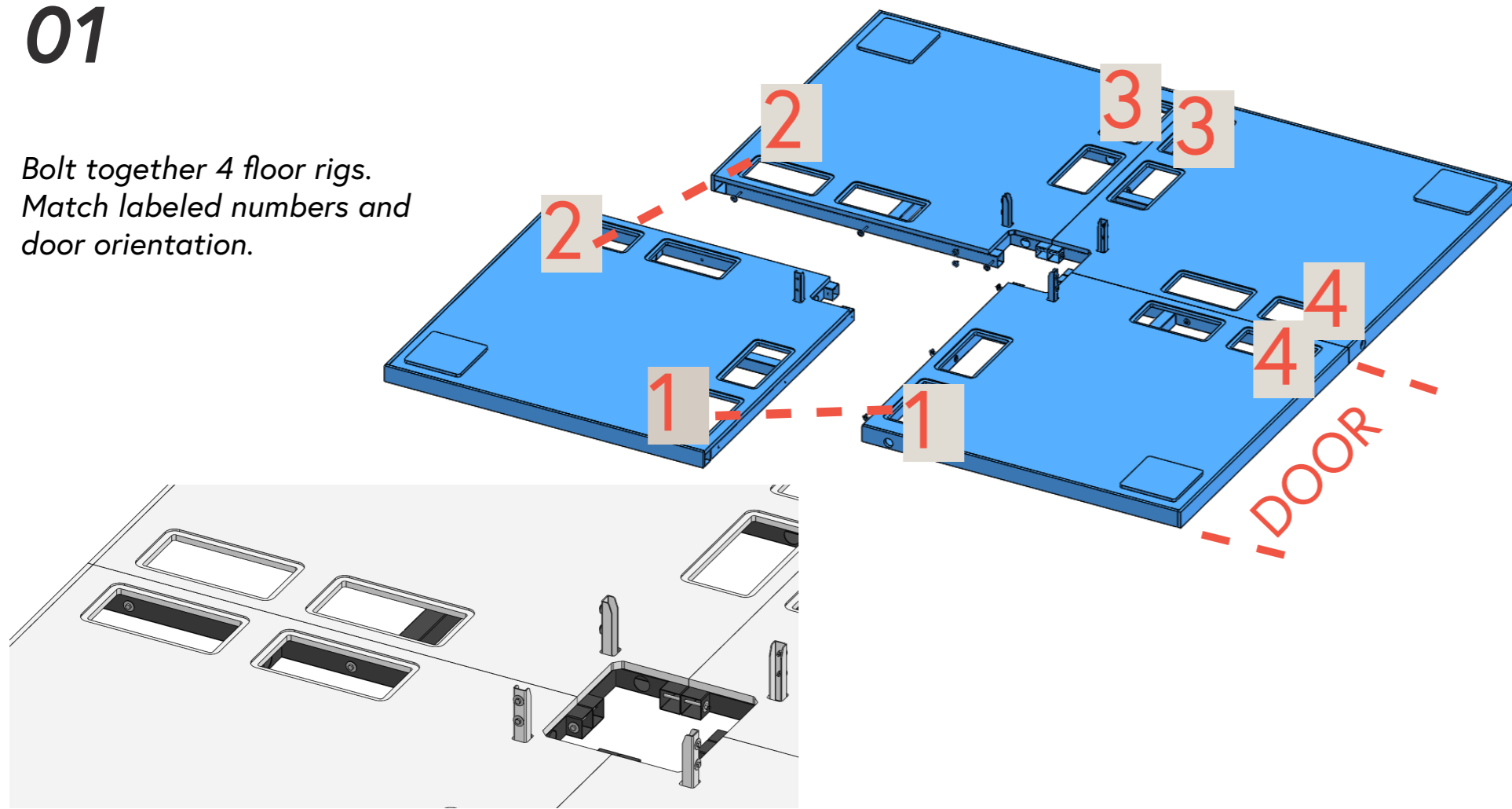


04.08.19



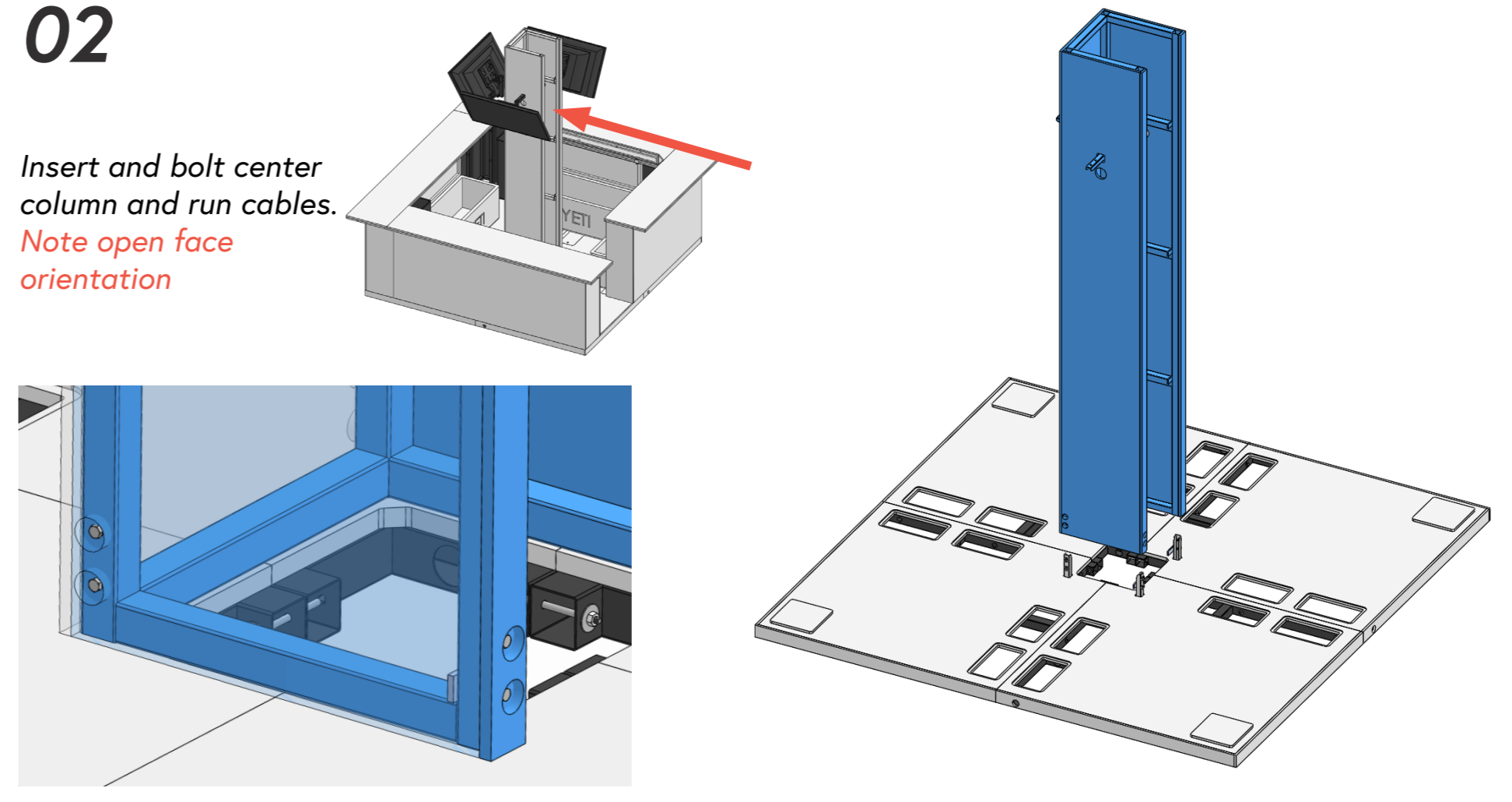
01

Bolt together 4 floor rigs.
Match labeled numbers and
door orientation.



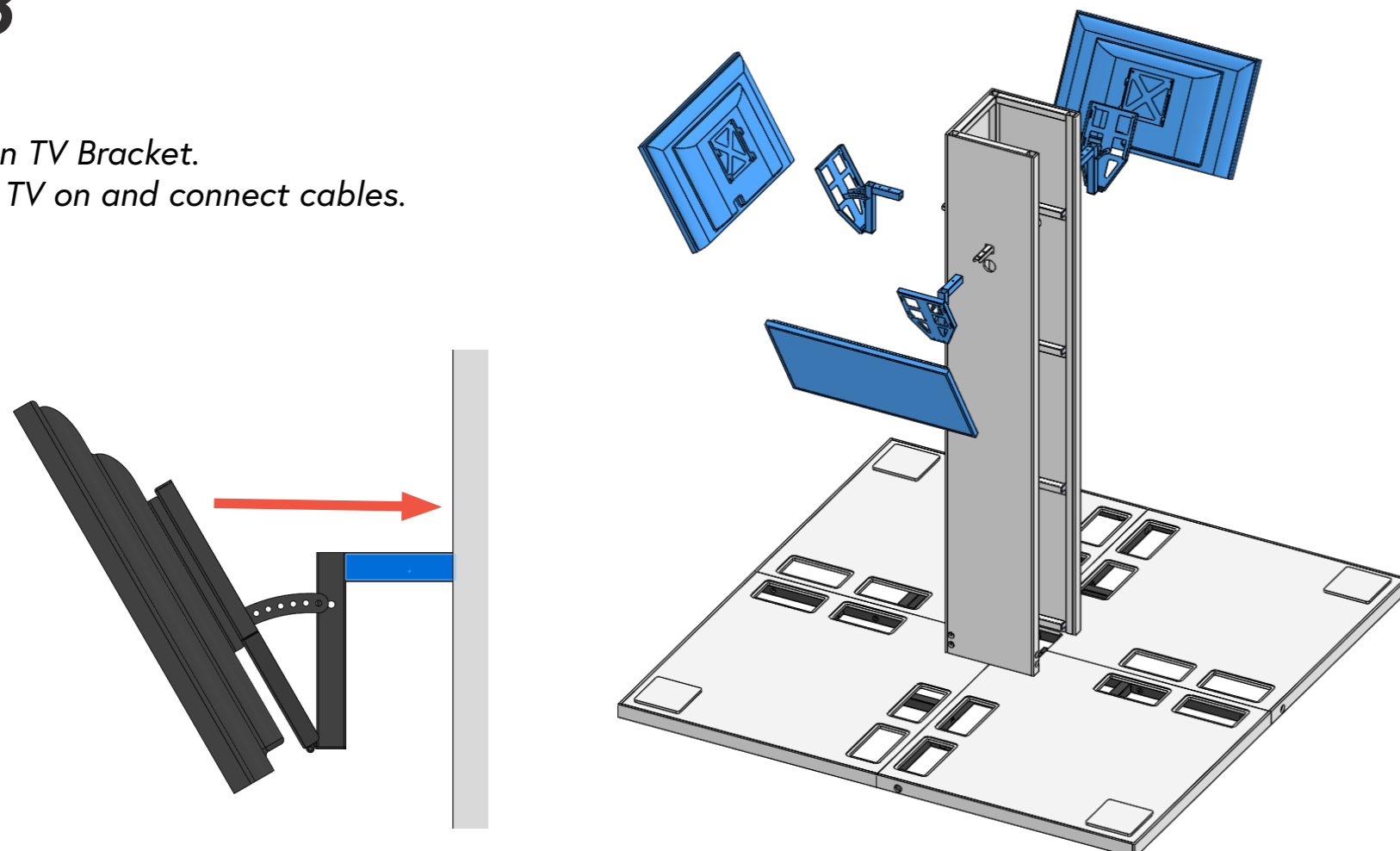
02

Insert and bolt center
column and run cables.
Note open face
orientation



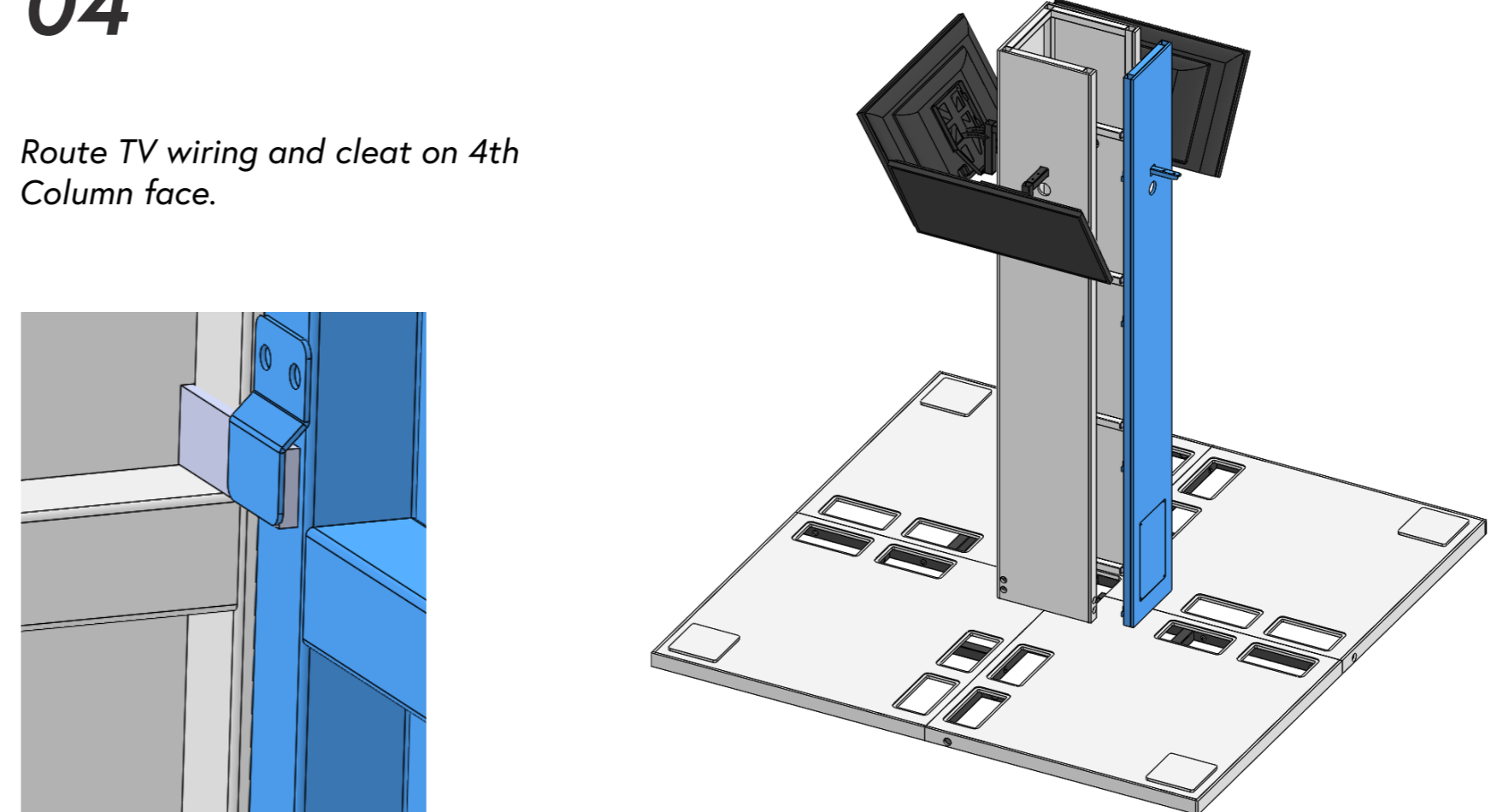
03

Bolt on TV Bracket.
Latch TV on and connect cables.



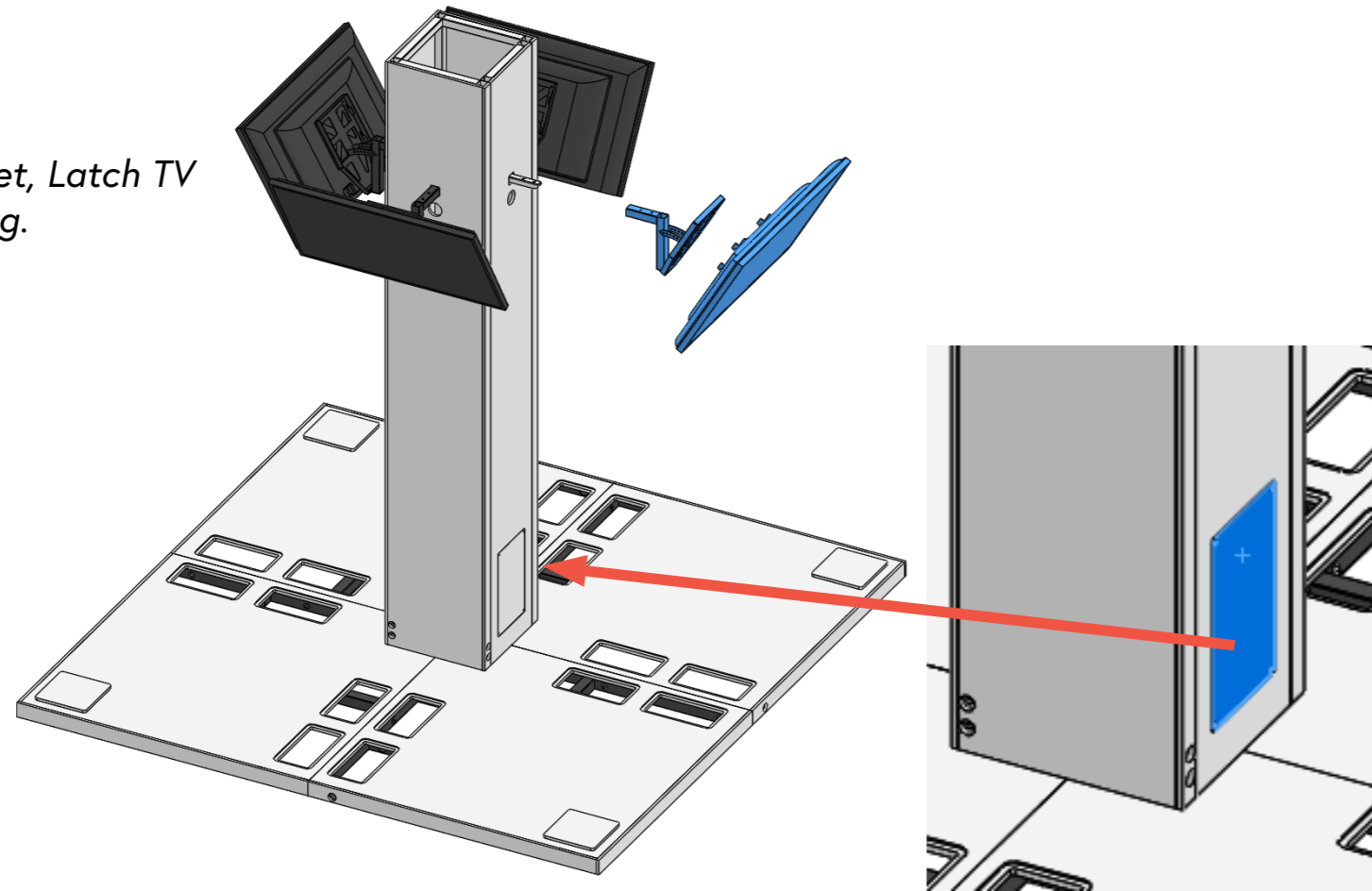
04

Route TV wiring and cleat on 4th
Column face.



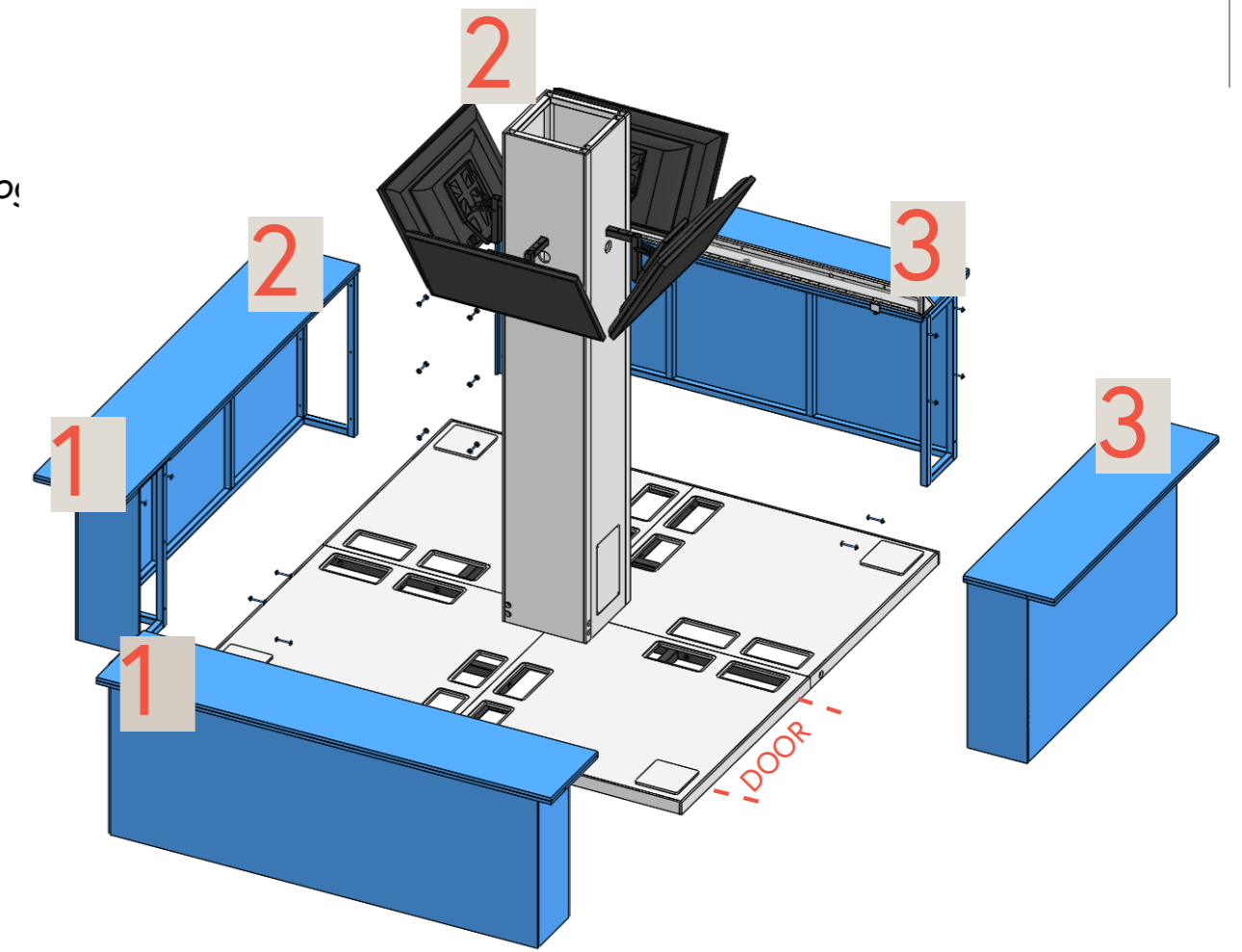
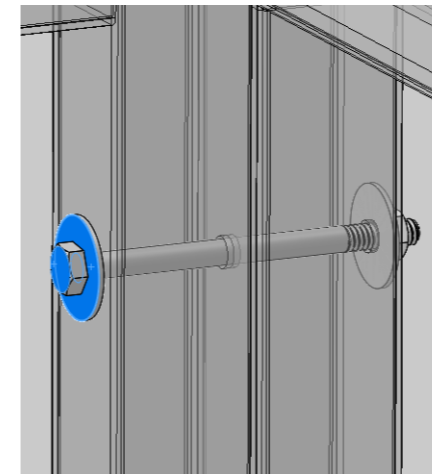
05

Bolt on 4th TV bracket, Latch TV on and connect wiring.



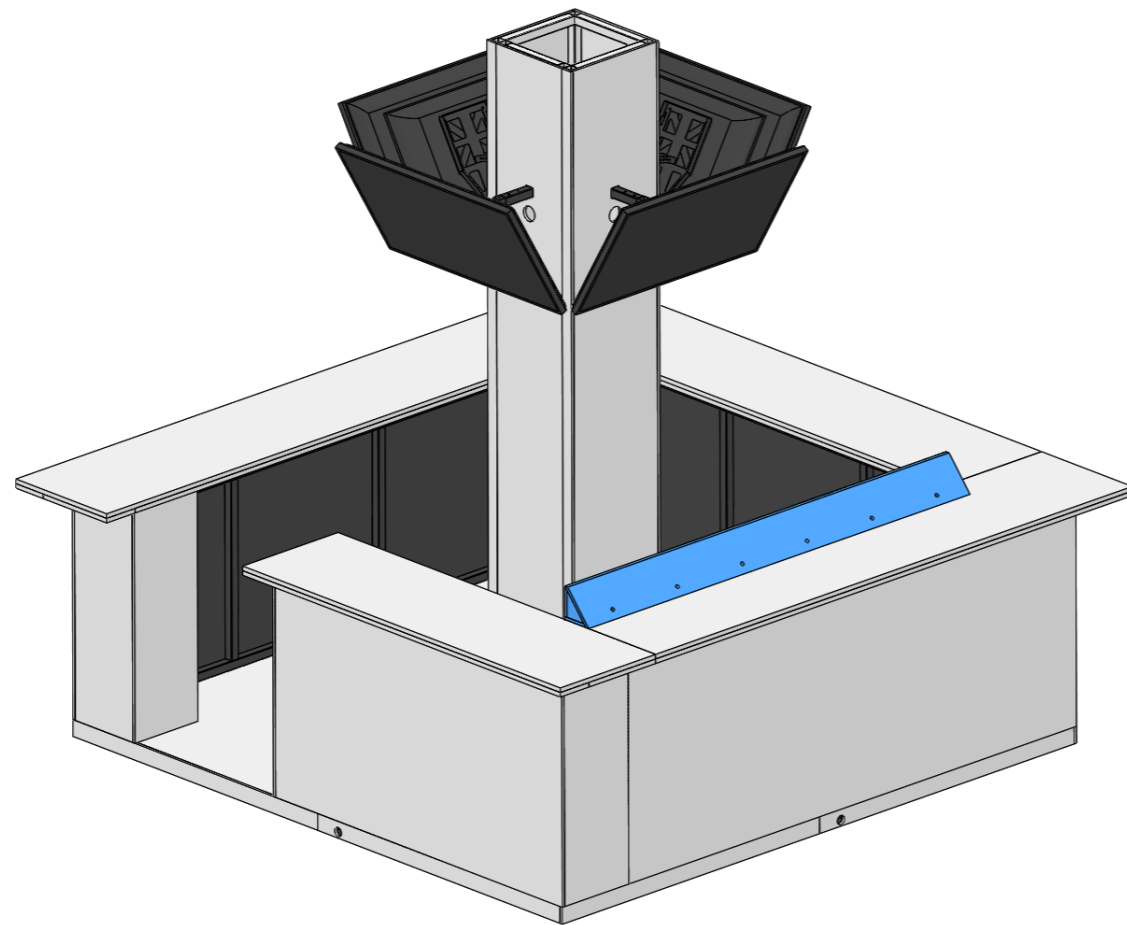
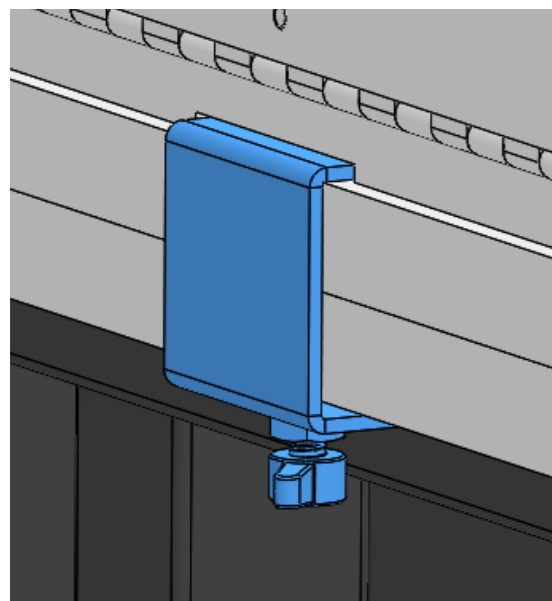
06

Align Counter-tops to floor and bolt to floor. Match labeled numbers and door orientation.



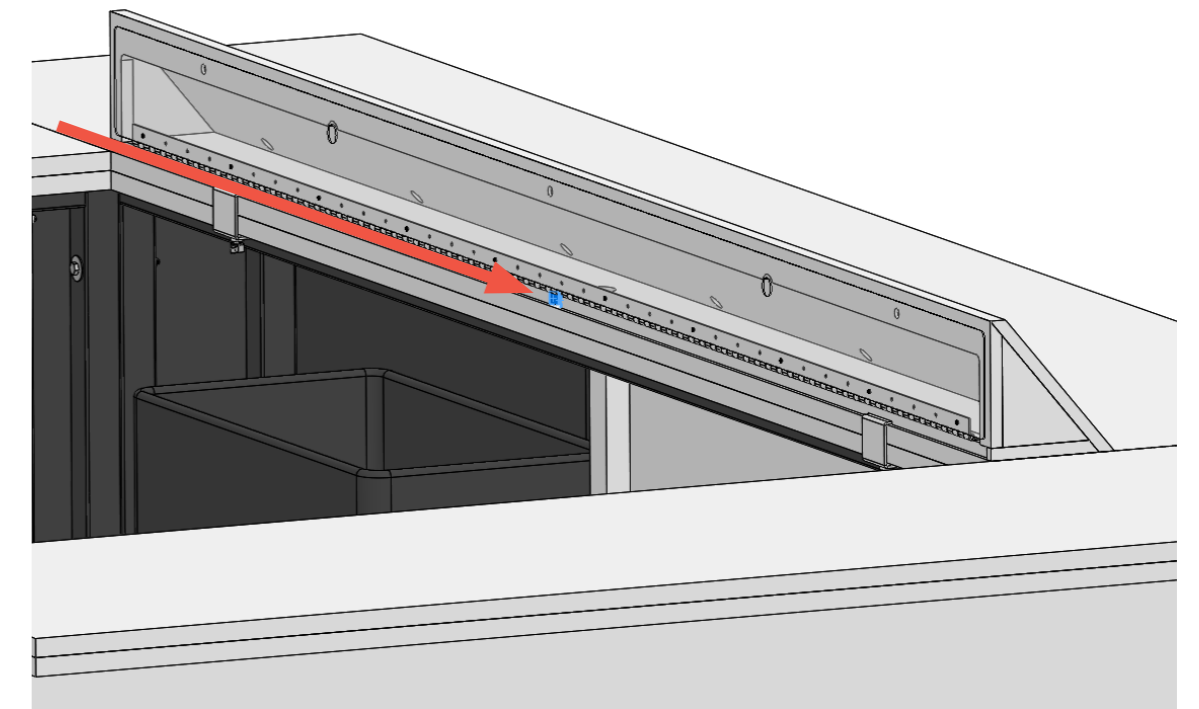
07

Clamp and secure Charging station.



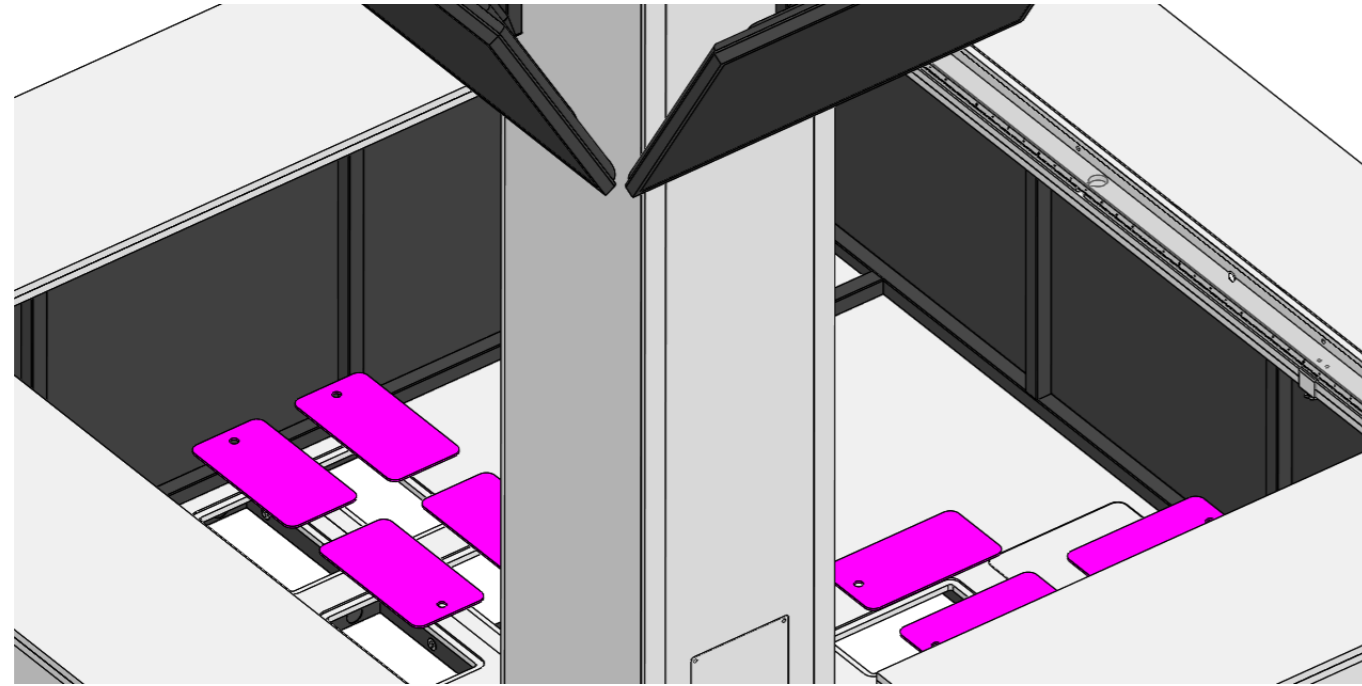
08

Route cables up through the holes.



09

Close floor cable routing with covers.



10

Place coolers and bins under counters.

