

# Formulate Designer Series 10' Backwall - Kit 11

## FMLT-DS-10-11

Formulate® Designer Series 10ft displays have unique stylistic features and shapes, are portable and easy to assemble. The aluminum tube frame features snap-buttons and/ or spigot connections and zipper pillowcase fabric graphics. All displays come in portable, wheeled transit cases. Simply pull the pillowcase fabric graphic(s) over the frame and zip.



## features and benefits:

- Premium aluminum tube frames with snap button / spigot assembly
- Easy to store and ship
- Quick to set up
- Weighted feet for added stability
- Two zipper pillowcase fabric graphics
- Kit includes: monitor kiosk featuring a medium monitor mount, can hold 32-55" monitor / max weight 40 lbs
- Lifetime limited hardware warranty against manufacturer defects

## dimensions:

### Hardware

Assembled unit:  
111.1" w x 96" h x 50.7" d  
2822mm(w) x 2439mm(h) x 1289mm(d)

Approximate weight with cases:  
150 lbs / 68 kg

### Shipping

Packing case(s):  
2 OCE-2 Cases

Shipping dimensions:  
OCE-2: Expandable case length (l) may vary  
40" - 66" l x 18" h x 18" d  
1016mm-1677mm(l) x 458mm(h) x 458mm(d)

Approximate total shipping weight  
(includes cases & graphics):  
162 lbs / 74 kg

### Graphic

Refer to related graphic template for more information.

Visit:  
<https://www.theexhibitorshandbook.com/download-graphic-templates>

## additional information:

Graphic material:  
Dye-sublimation zipper pillowcase fabric

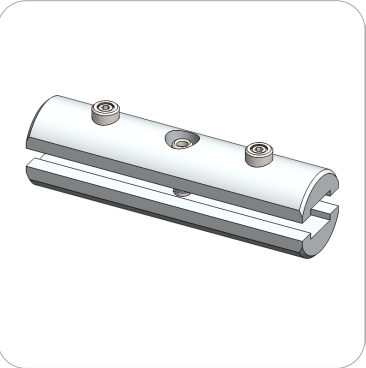
We are continually improving and modifying our product range and reserve the right to vary the specifications without prior notice. All dimensions and weights quoted are approximate and we accept no responsibility for variance. E&OE. See Graphic Templates for graphic bleed specifications.

# Included In Your Kit

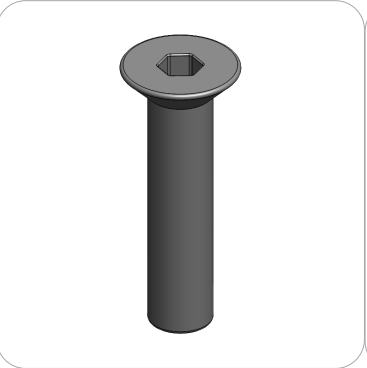
Tools, Components, & Connectors



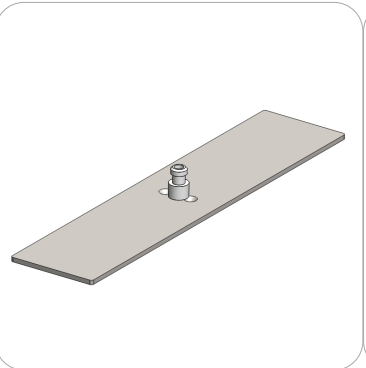
HEX KEY SET x1



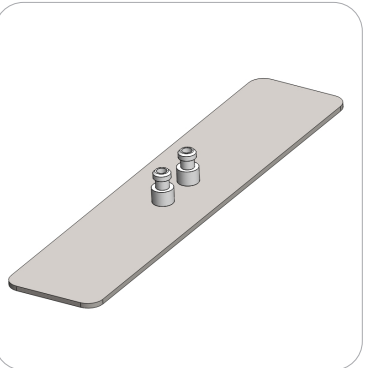
ES30 x12



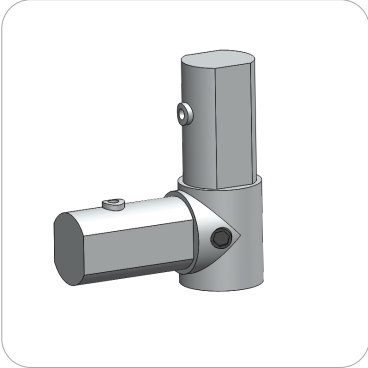
LN114-SCRW x4



PLT-BP-LN114-S2-450 x2



PLT-BP-LN114-S3-450 x1



ES30-90B x4

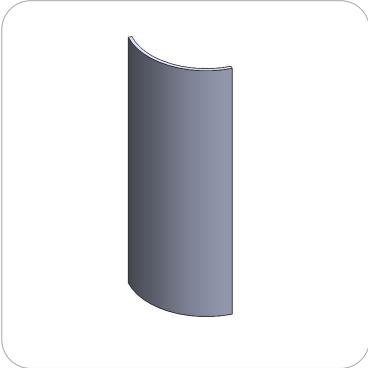


TCP-3030-R x1

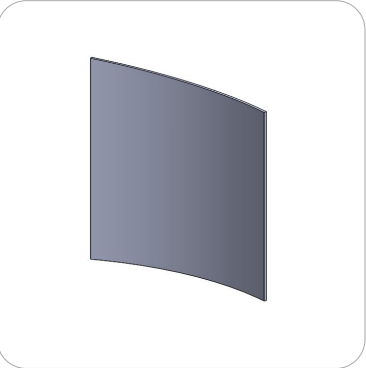


PM4S3-MK-M x1

Graphics



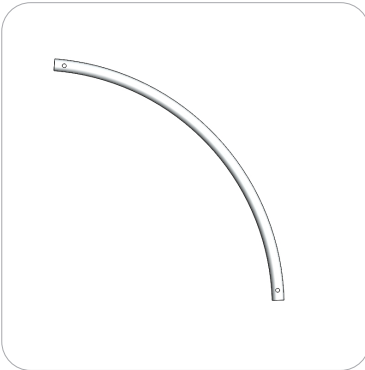
FMLT-DS-10-10-A-G x1



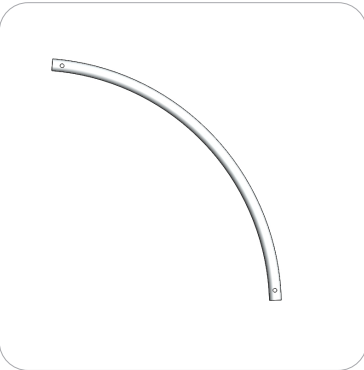
FMLT-DS-10-10-B-G x1

# Included In Your Kit

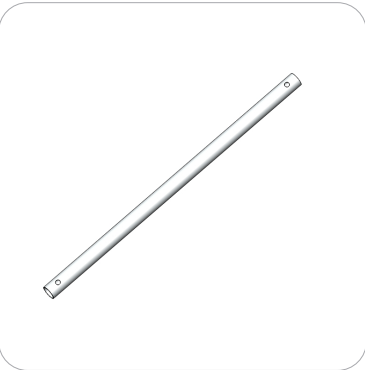
Tubes



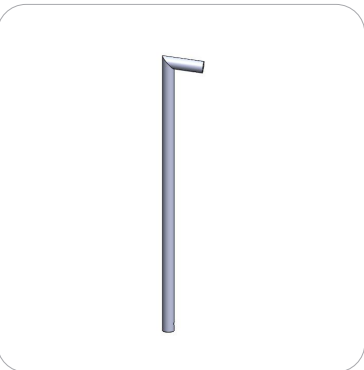
DS-10-11-A-T1 x2



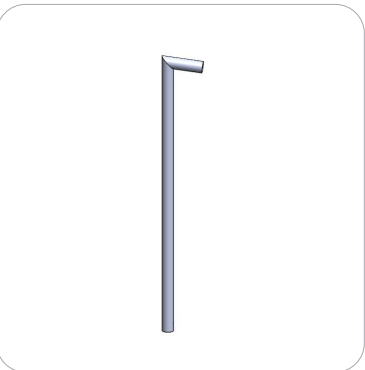
DS-10-11-A-T2 x1



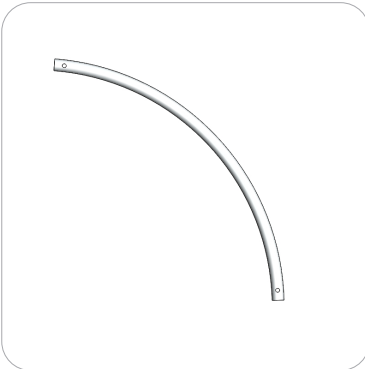
DS-10-11-A-T3 x2



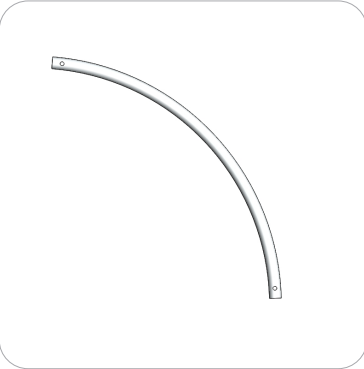
DS-10-11-A-T4 x1



DS-10-11-A-T5 x1



DS-10-11-A-T6 x1



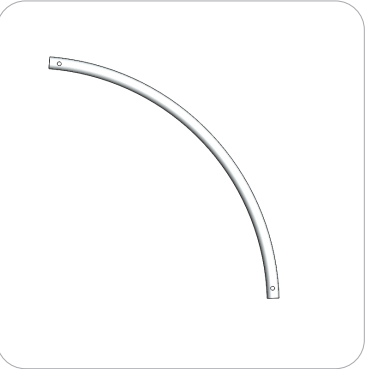
DS-10-11-B-T1 x1



DS-10-11-B-T2 x4



DS-10-11-B-T3 x1



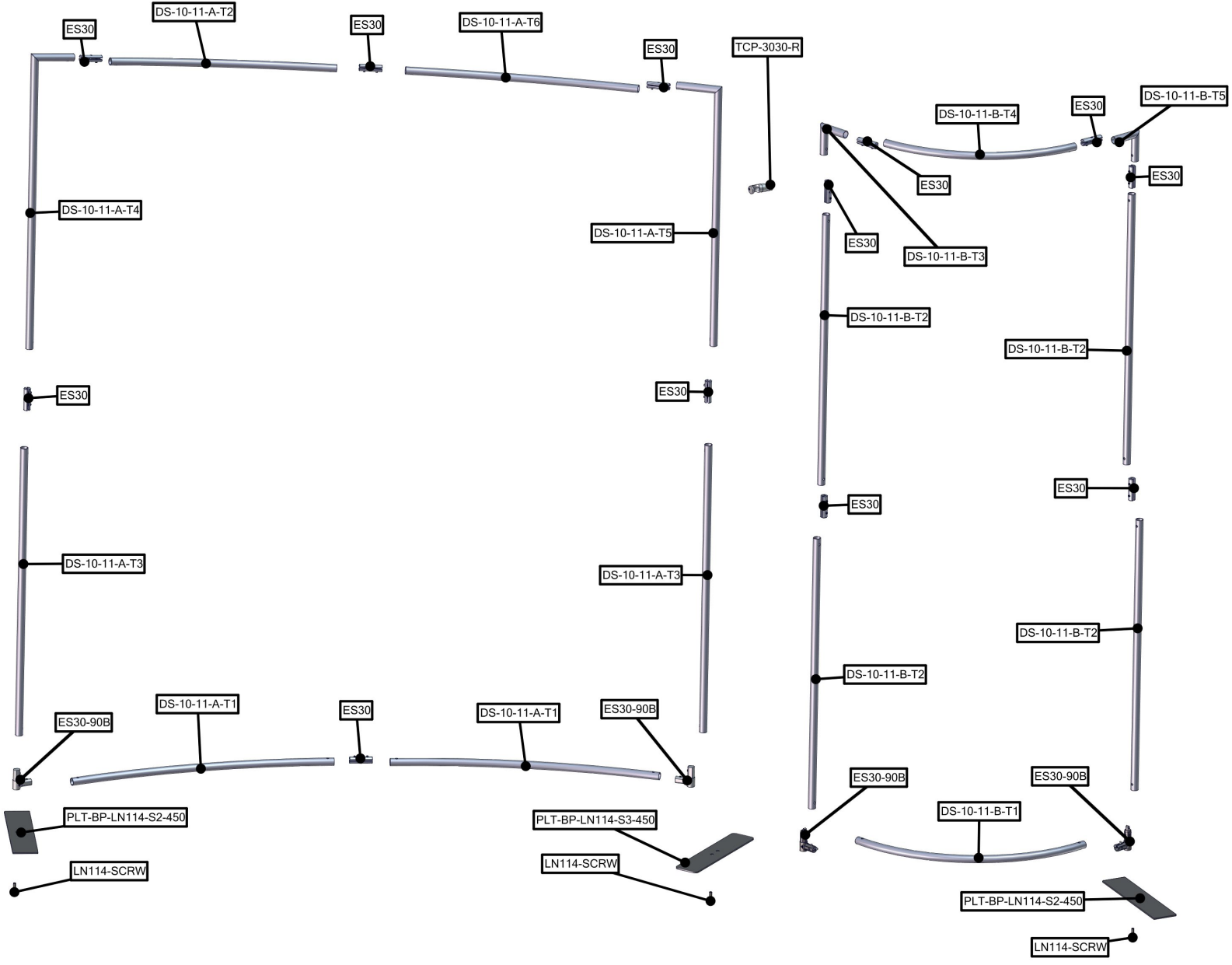
DS-10-11-B-T4 x1



DS-10-11-B-T5 x1

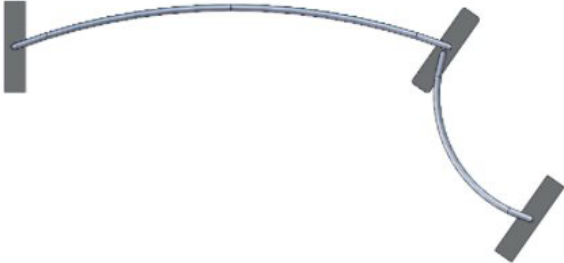
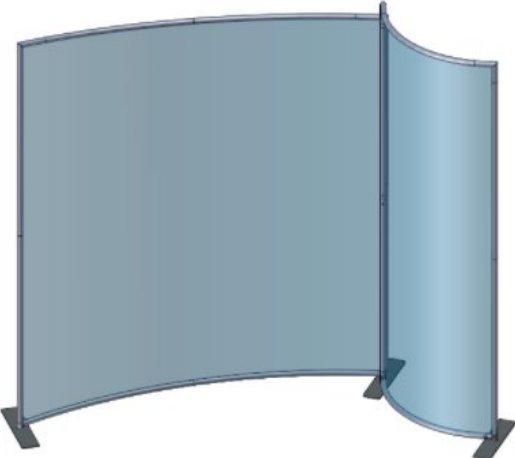
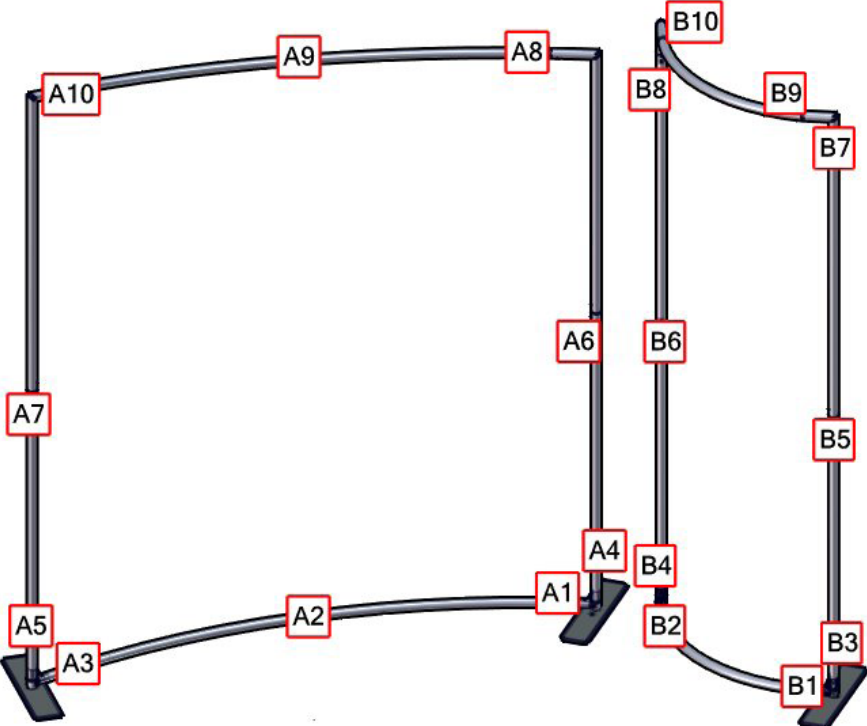
# Exploded View

## FMLT-DS-10-11



# Labeling Diagram

FMLT-DS-10-11



OVERHEAD VIEW

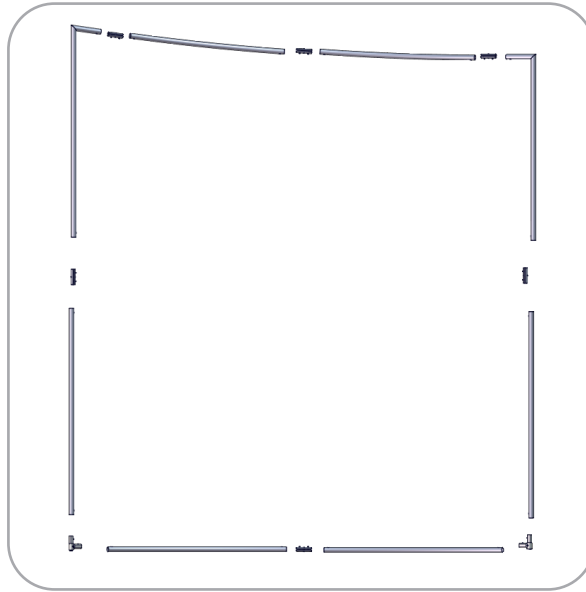
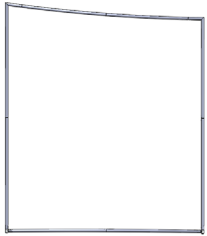
# Kit Assembly

## Step by Step

### Step 1.

Gather the components necessary to assemble Frame A. Assemble your frame following the order specified in the Labeling Diagram.

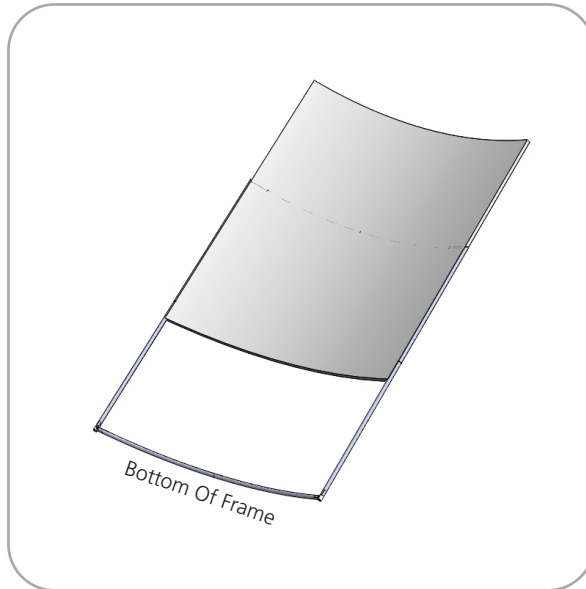
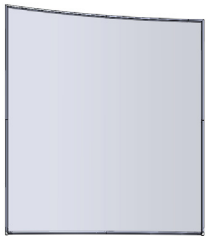
Please reference Connection Methods 1 and 3 for more details.



### Step 3.

Locate the fabric cover for Frame A. With the frame flat on the floor, pull the cover over the top of the frame. Zip the fabric cover to enclose the frame.

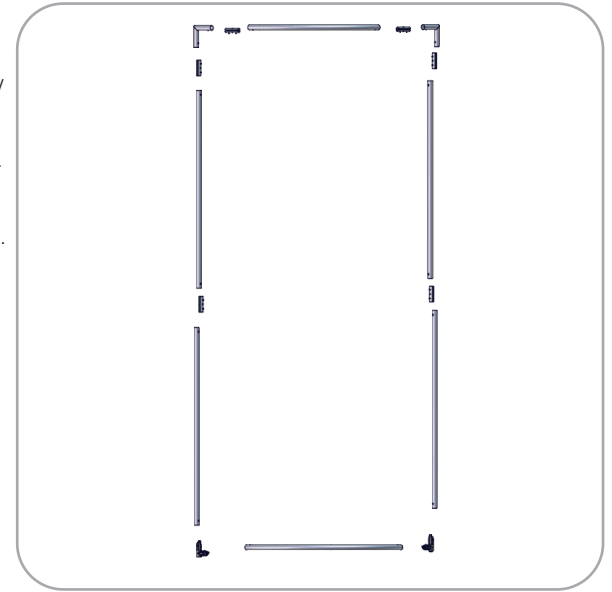
Zipper located on the bottom of Graphic A



### Step 2.

Gather the components necessary to build Frame B. Assemble your frame following the order specified in the Labeling Diagram.

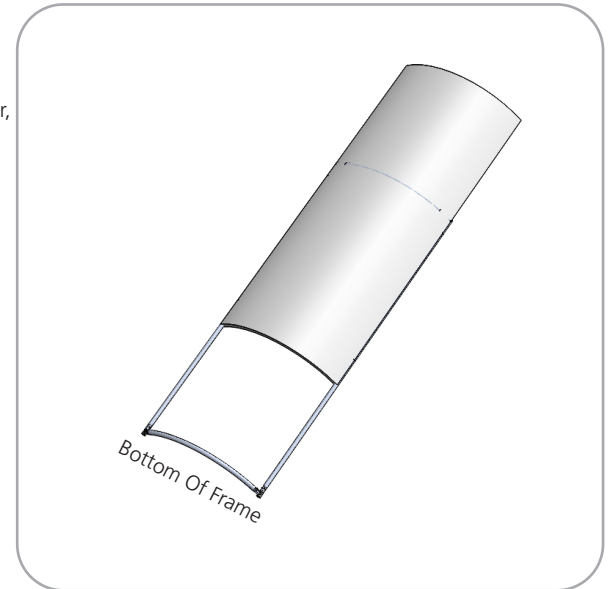
Please reference Connection Methods 1 and 2 for more details.



### Step 4.

Locate the fabric cover for Frame B. With the frame flat on the floor, pull the cover over the top of the frame. Zip the fabric cover to enclose the frame.

Zipper located on the bottom of Graphic B

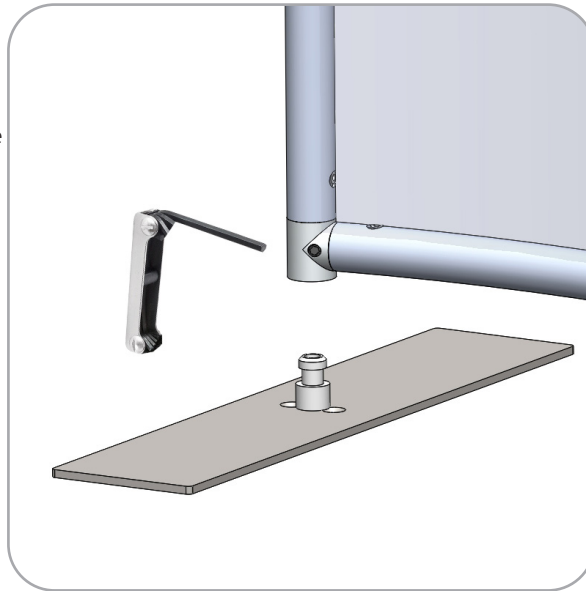
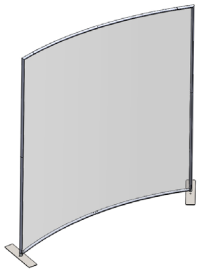


# Kit Assembly

## Step by Step

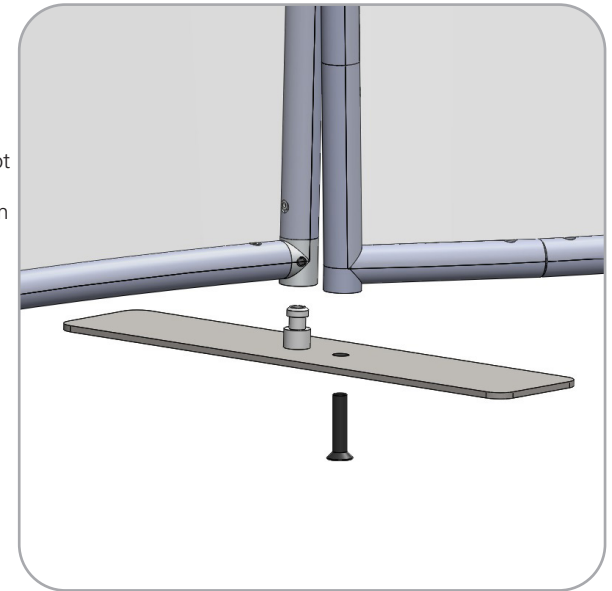
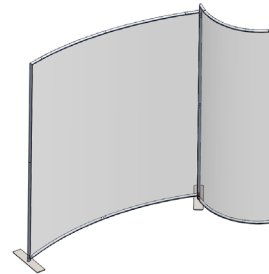
### Step 5.

Locate both LN114-S2's. Attach the foot to the bottom of the ES30-90B on the left side of Frame A. Tighten the screw on the side of the ES30-90B to lock it in place.



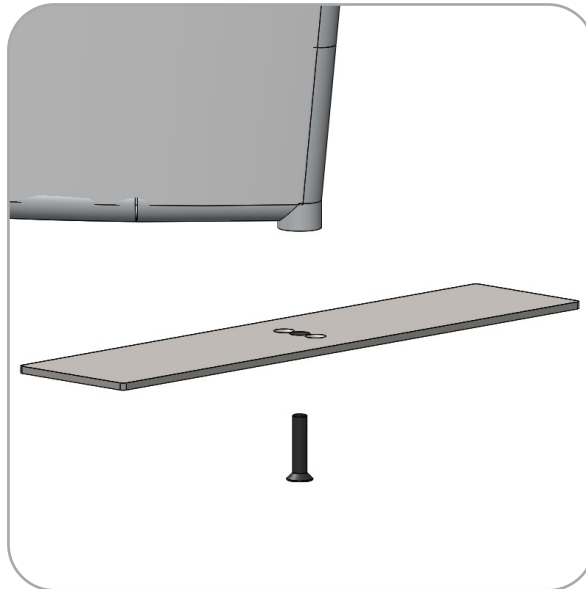
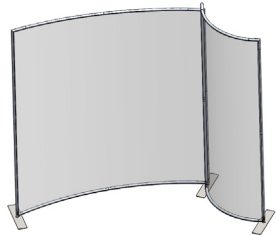
### Step 6.

Gather the LN114-S3 assembly, and 1 LN114 screw. Start by setting the hub on the foot into the ES30-90B. Next screw the foot into Frame B in the order shown on the right. Tighten the screw on the ES30-90B to lock in place.



### Step 7.

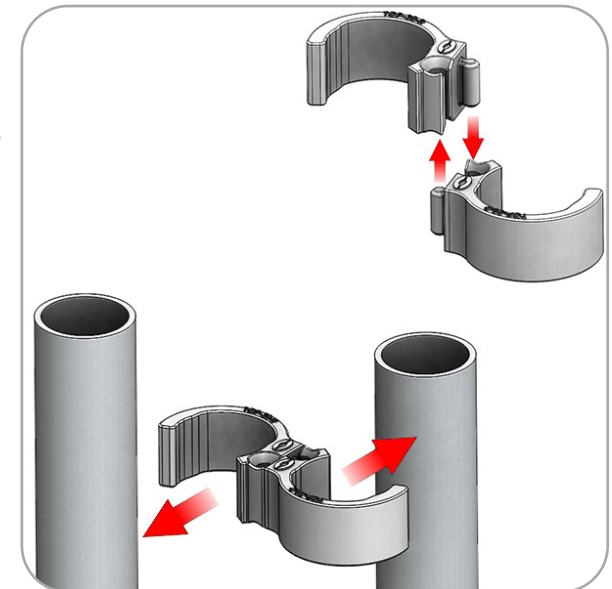
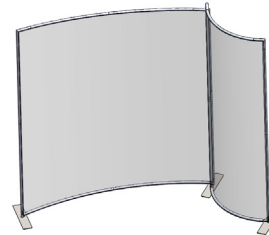
Gather the LN114-S2 assembly, and 1 LN114 screws. Attach the foot to the right side of Frame B, in order shown in the image to the right.



### Step 8.

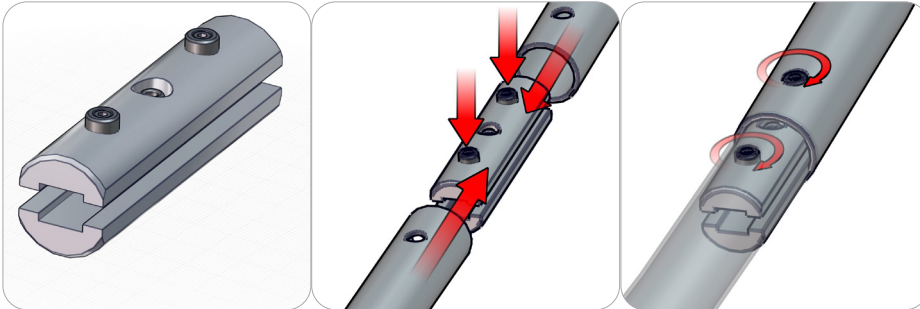
Use the TCP-3030-R to combine both frames. Tighten on each side of the frame as shown in the image to the right.

Please reference Connection Method 4 for more details



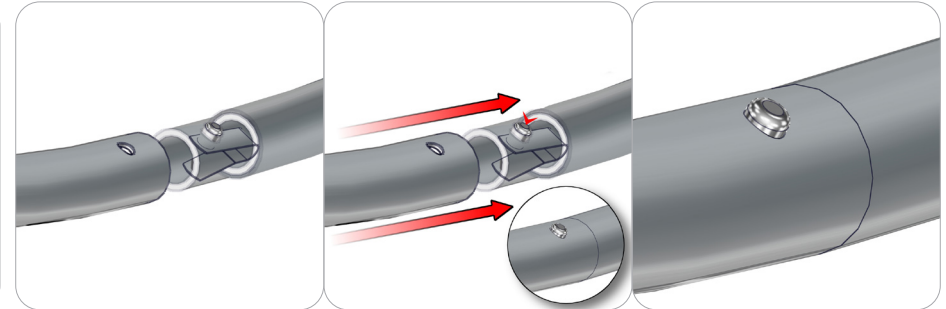
# Connection Methods

**Connection Method 1: ES30**



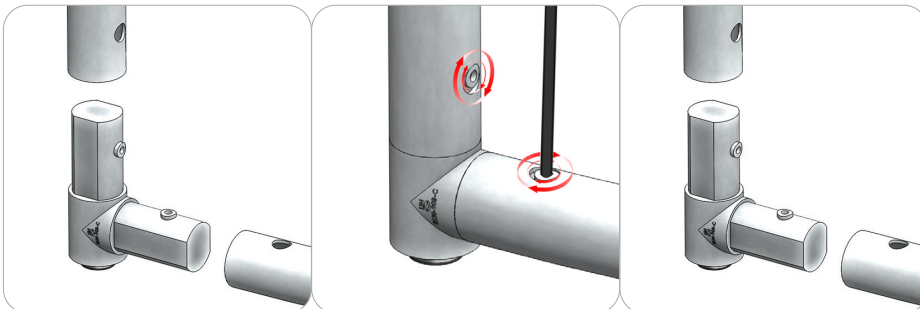
For spigot connections, compress the unlocked connector and slide into the tube lock access hole. Lock both screws carefully using your allen key tool. Be sure to lock securely, but do not over tighten. Do not force the connection and be careful with the tube edges, they may be sharp. To disassemble, unlocked connector press the snap button and pull apart.

**Connection Method 2: Swage Tube with Snap Button**



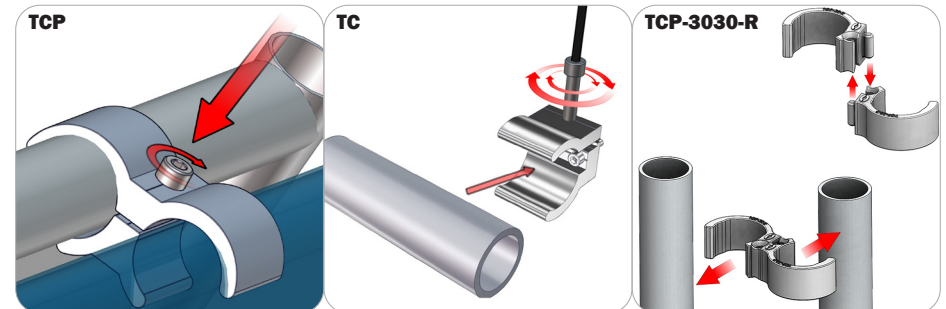
Attaching the tube swage design end and snap button is easy - simply press the snap button in and slide it into the next tube. With the tube on, make sure the snap button comes out all the way through the tube hole.

**Connection Method 3: SILICONE EDGE FABRIC GRAPHIC**



Compress one unlocked end of the connector and slide it through one tube end. Compress the other end of the connector and slide the second tube on. Lock both screws carefully using your allen key tool. Be sure to lock securely, but do not over tighten.

**Connection Method 4: Tube Clamps**



Be sure to fully assemble all frames before using clamps. With the clamp unlocked, place one tube of the first frame into the mouth of the clamp. Place the second tube (if applicable) into the second mouth of the clamp. With both frame's tubes in the clamp, be sure to lock securely, but do not over tighten.