

# Vibe Monitor Stand

VB-MK-01

The vibe™ monitor stand is an excellent addition to a variety of backwall displays and exhibits. Use this sturdy, stand alone kiosk in a variety of situations to display your multimedia messages.



## features and benefits:

- State-of-the-art spigot aluminum structure
- Frame constructed of 50mm and 30mm lightweight aluminum tube
- Choose from four laminate base colors
- Brushed silver finish on exposed tube
- Easy step-by-step instructions
- Lifetime warranty on hardware against manufacturer defects

## dimensions:

Hardware

Shipping

Assembled unit:

30" w x 78.38" h x 23.6" d  
762mm(w) x 1991mm(h) x 600mm(d)

Approximate weight:  
40 lbs / 19 kgs

Shipping dimensions - ships in 1 case:

1 OCH2

52" l x 29" h x 15" d  
1320mm(l) x 737mm(h) x 381mm(d)

Approximate shipping weight:  
70 lbs / 32 kgs

## additional information:

Monitor mount holds max weight:  
50 lbs / 23 kgs

Monitor mount holds max size:  
40"

Base Colors:



silver



black



mahogany



natural

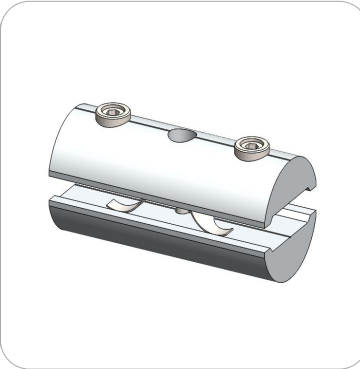
We are continually improving and modifying our product range and reserve the right to vary the specifications without prior notice. All dimensions and weights quoted are approximate and we accept no responsibility for variance. E&OE. See Graphic Templates for graphic bleed specifications.

# Included In Your Kit

Tools, Components, & Connectors



ALLEN KEY SET x1



ES50 x4



8-32 X 5/8" THUMB SCREW x8



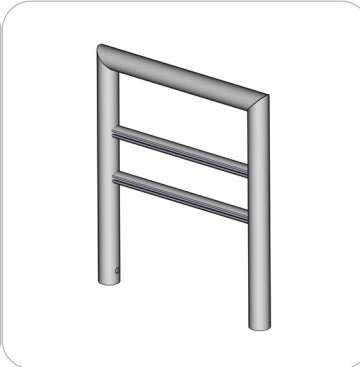
VB-MK-01-BASE x1



VB-MK-01-T3 x2



VB-MK-01-T2 x1



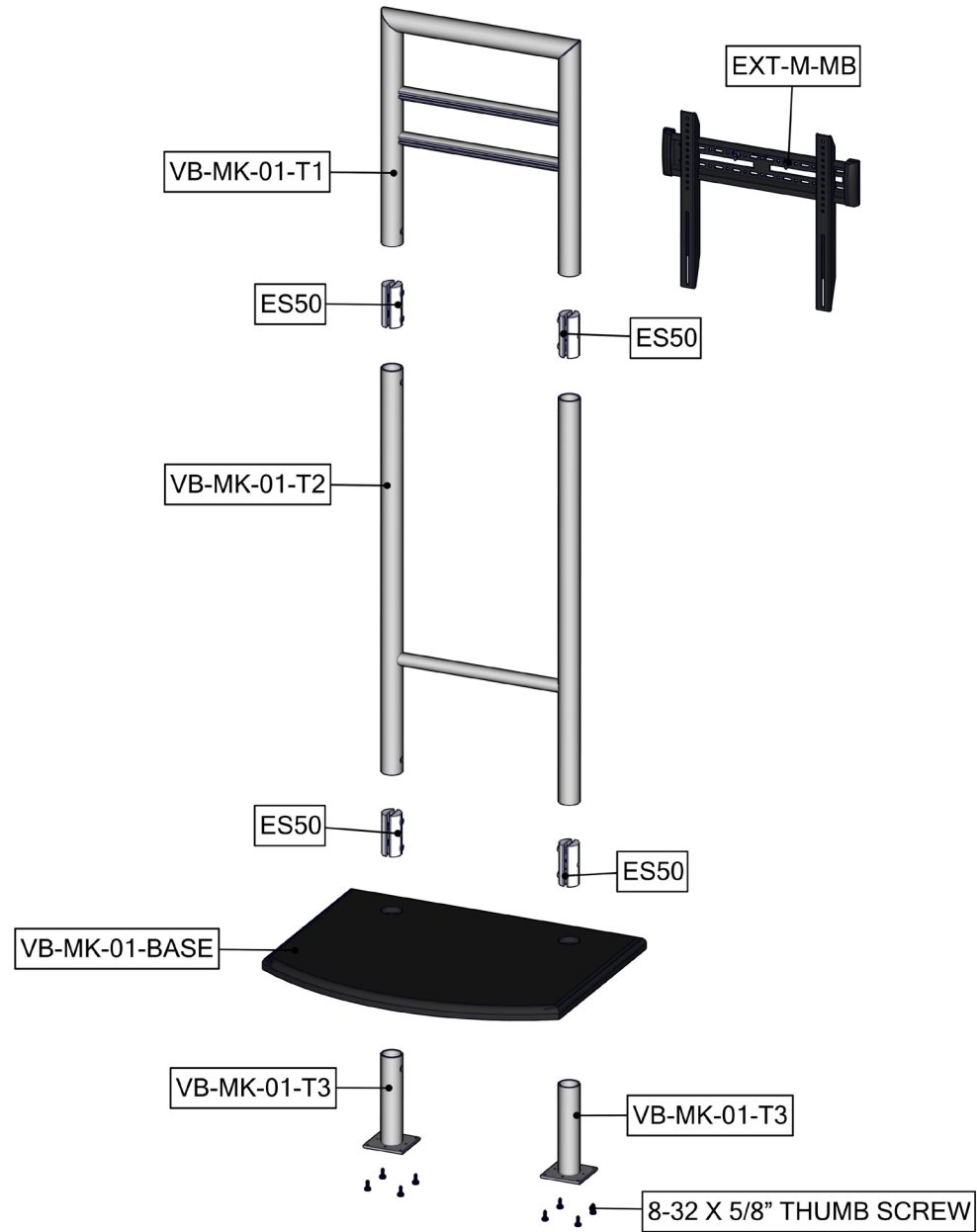
VB-MK-01-T1 x1



EXT-M-MB x1

# Exploded View

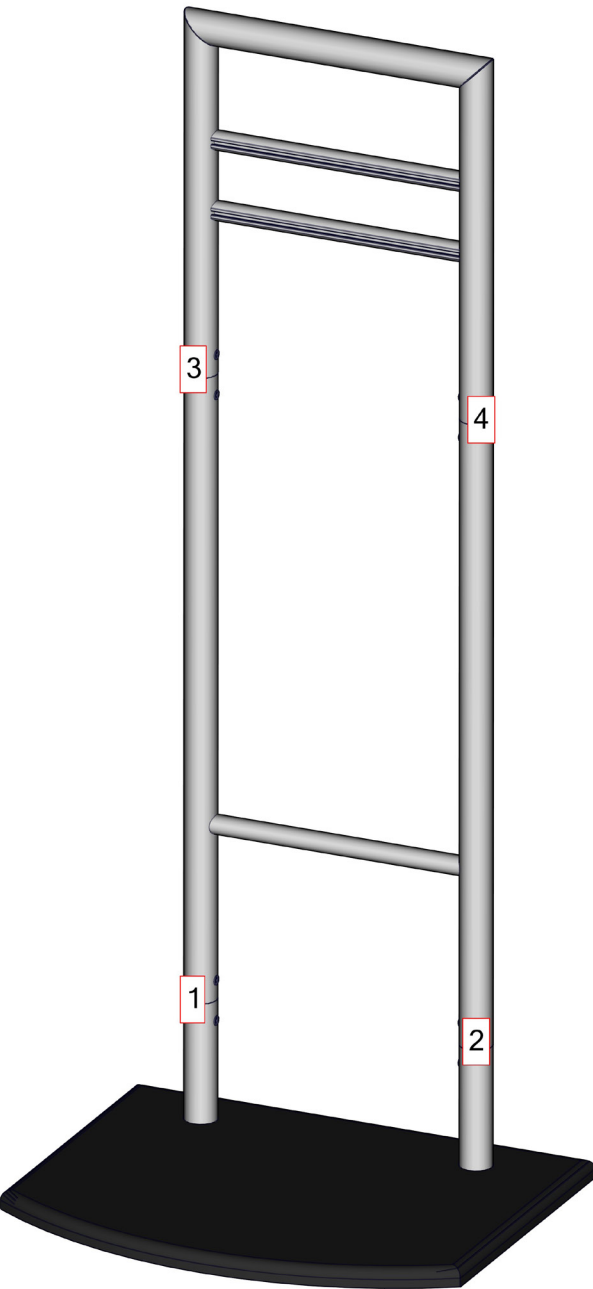
VB-MK-01



# Labeling Diagram

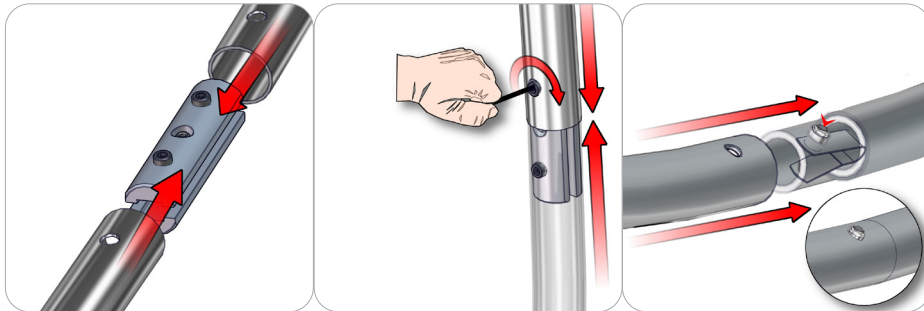
VB-MK-01

## OVERVIEW



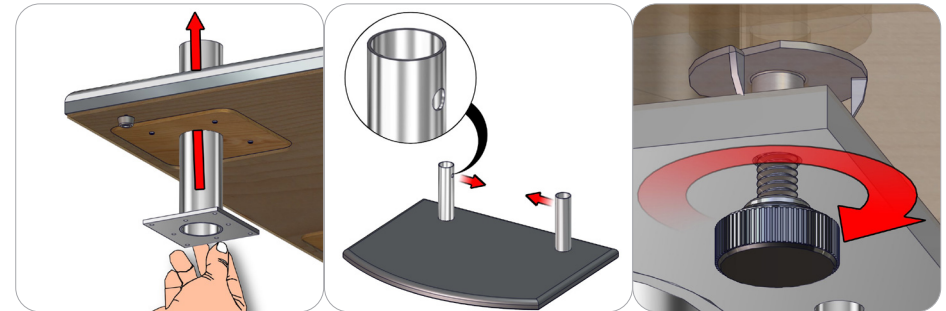
# Connection Methods

Connection Method 1: ES30 / ES50 / SNAP BUTTONS



For spigot connections, compress the unlocked connector and slide into the tube lock access hole. Lock both screws carefully using your allen key tool. Be sure to lock securely, but do not over tighten. For snap button connections, locate the snap button on the connector or swage tube. Locate the hole on the corresponding tube. Press the snap button with your thumb and slide the tube and connector together so that the snap button snaps fully into the lock hole. To disassemble, press the snap button and pull apart.

Connection Method 2: Tube 3 onto VB-MK-01-BASE



First, slide and hold tube 3 into the underside of the wooden base. Second make sure that the spigot holes of tube 3 are facing in. Third, use the thumb screws to fasten the tube in place.

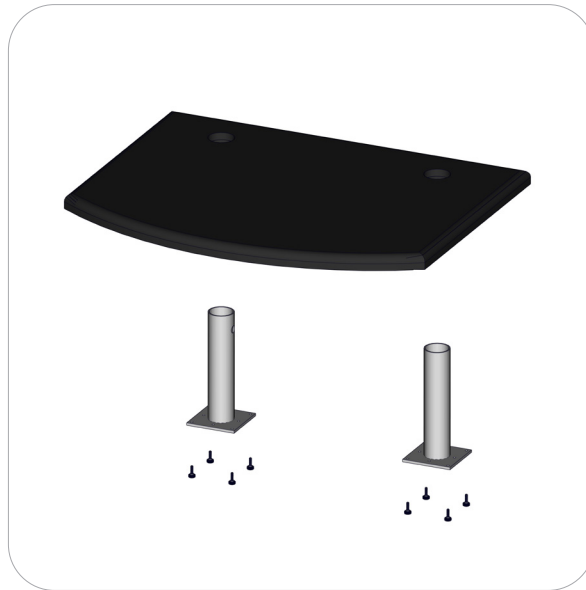
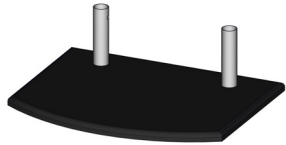
# Kit Assembly

## Step by Step

### Step 1.

Gather the components to start the kiosk base assembly. Use the Exploded View for part labels.

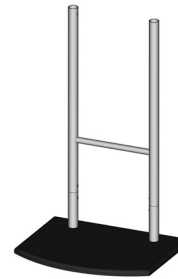
Reference Connection Method 2 for more details.



### Step 2.

Gather the components to build the kiosk frame. Use the Exploded View and the Labeling Diagram for part labels.

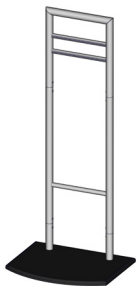
Reference Connection Method 1 for more details.



### Step 3.

Gather the components to continue building the kiosk frame. Use the Exploded View and the Labeling Diagram for part labels.

Reference Connection Method 1 for more details.



### Step 4.

Gather the components to continue building the kiosk monitor mount. Use the Exploded View for part labels.

Reference Connection Method 2 and monitor mount supplemental sheet for more details.

Attach your monitor then setup is complete.



# Check out these related products:



Vibe Kit 01



Vibe Kit 02



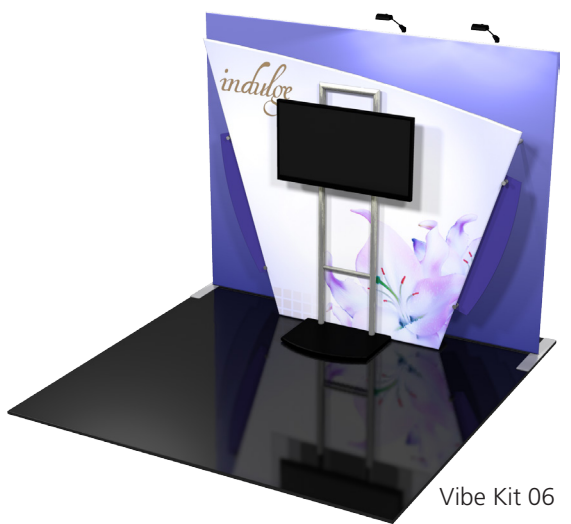
Vibe Kit 03



Vibe Kit 04



Vibe Kit 05



Vibe Kit 06

# Monitor Bracket Instructions

## Extrusion Channel Applications



### EXT-SM-MB

Sizes: 17" - 37"

Max weight varies per application

**Assembled unit:**

9" w x 16" h x 1.4" d  
230mm (w) x 410mm (h) x 35mm (d)

**Shipping dimensions:**

14" l x 6" h x 4" d  
356mm (l) x 152mm (h) x 102mm (d)

**Approximate total shipping weight:**

6 lbs / 2.7 kgs

**VESA:**

75 x 75 - 200 x 200mm



### EXT-M-MB

Sizes: 32" - 55"

Max weight varies per application

**Assembled unit:**

16" w x 16" h x 1.4" d  
410mm (w) x 410mm (h) x 35mm (d)

**Shipping dimensions:**

24" l x 4" h x 4" d  
610mm (l) x 102mm (h) x 102mm (d)

**Approximate total shipping weight:**

7 lbs / 3.2 kgs

**VESA:**

100 x 100 - 400 x 400mm



### EXT-LG-MB

Sizes: 40" - 65"

Max weight varies per application

**Assembled unit:**

24" w x 16" h x 1.4" d  
610mm (w) x 410mm (h) x 35mm (d)

**Shipping dimensions:**

28" l x 6" h x 6" d  
711mm (l) x 152mm (h) x 152mm (d)

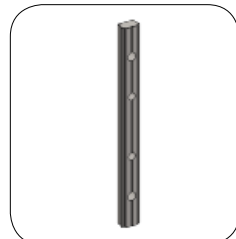
**Approximate total shipping weight:**

8 lbs. / 3.6 kgs

**VESA:**

100 x 100 - 600 x 400mm

### Included hardware:



LN-100

x2



M5 x 10

LN-LCD-SCW

x2



1/4"-20 x 1"

BOLT-1

x2



1/4"-20

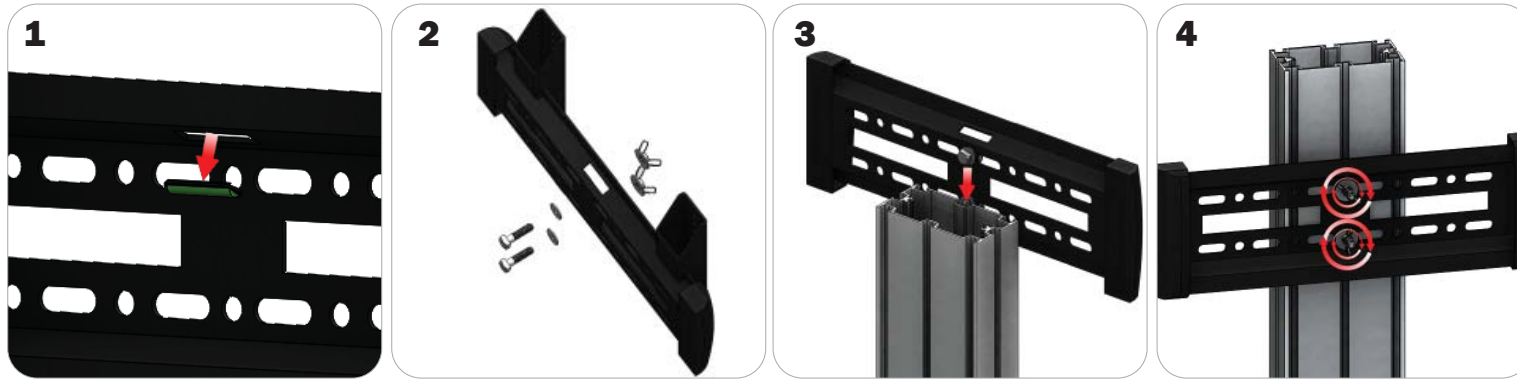
Flange Wingnut

x2



# EXTRUSION CONNECTION

## Channel Connection A

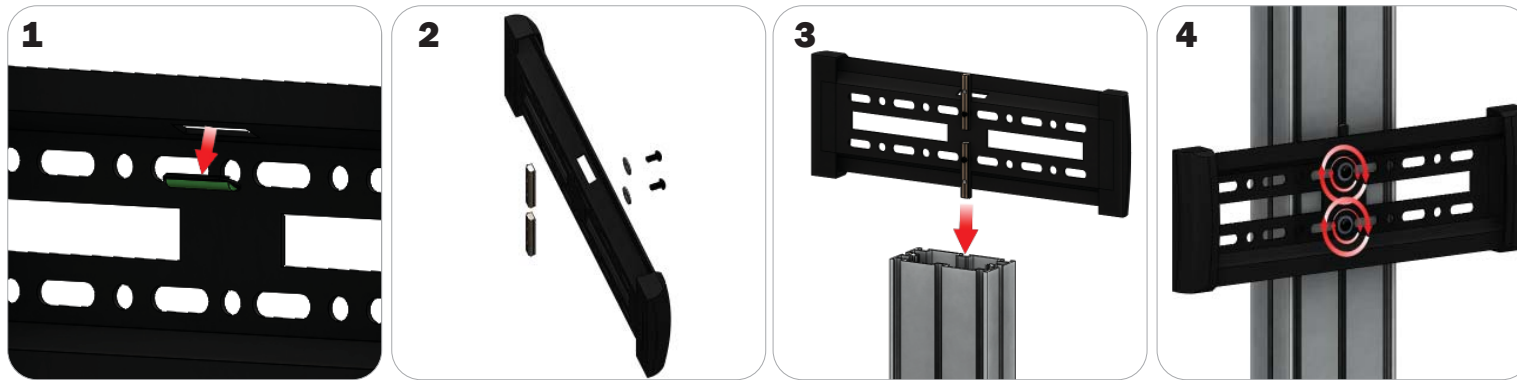


Locate all components needed to assemble the monitor mount with the channel connection A method. You will need (1) monitor bracket, (2) square head bolts, (2) washers, and (2) wingnuts.

**Step 1:** Apply pressure to the rear side of the leveling gauge clipped into the monitor mount to remove it. **Step 2:** Insert the provided bolts through the washers and center top and bottom holes of the monitor mount. Loosely thread your wingnuts onto the end of the bolts. **Step 3:** Slide the bolt heads down the extrusion channel.

**Step 4:** Tighten your wingnuts to lock the monitor bracket in place. **Step 5:** Reference the included manufacturer monitor mount instructions for fastening your monitor to the bracket.

## Channel Connection B

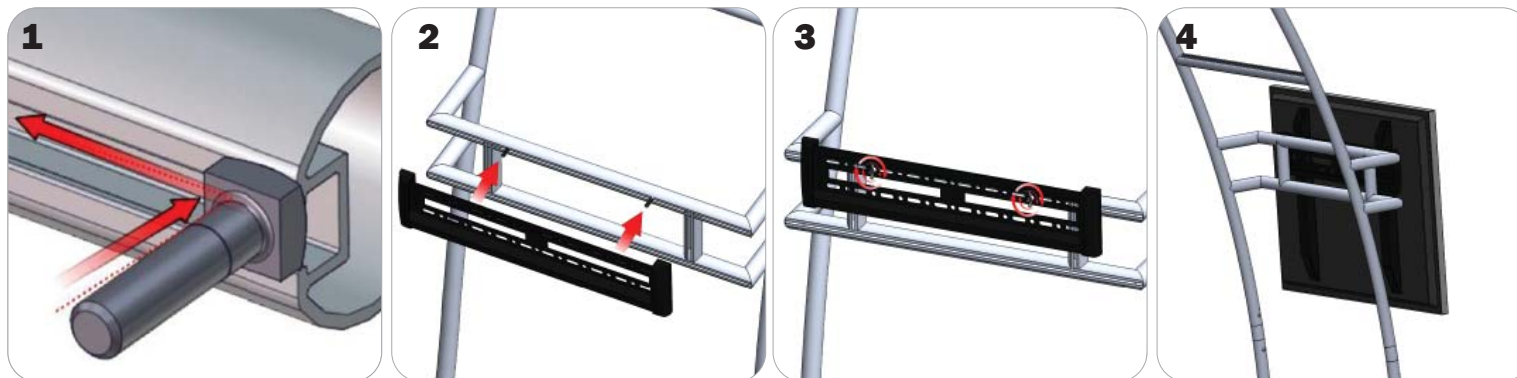


Locate all components needed to assemble the monitor mount with the channel connection B method. You will need (1) monitor bracket, (2) LN-LCD-SCW, (2) LN-100, and (2) washers.

**Step 1:** Apply pressure to the rear side of the leveling gauge clipped into the monitor mount to remove it. **Step 2:** Loosely thread the LN-LCD-SCW screws through the washers, the center top and bottom holes of the monitor bracket, and through the LN-50 holes. **Step 3:** Slide the LN-100s down the extrusion channel. **Step 4:** Tighten your LN-LCD-SCW to lock the monitor bracket in place.

**Step 5:** Reference the included manufacturer monitor mount instructions for fastening your monitor to the bracket.

## TRI-30MM Channel Tube Connection



Locate all components needed to assemble the monitor mount with the TRI-30MM Channel Tube Connection method. You will need (1) monitor bracket, (2) Square Bolts, and (2) Wingnuts.

**Step 1:** Slip the head of the square bolts into the extrusion channel of the tube. **Step 2:** Apply your monitor bracket to the protruding square bolts. **Step 3:** Lock your monitor bracket to the square bolts using the provided wingnuts. **Step 4:** Reference the included manufacturer monitor mount instructions for fastening your monitor to the bracket.