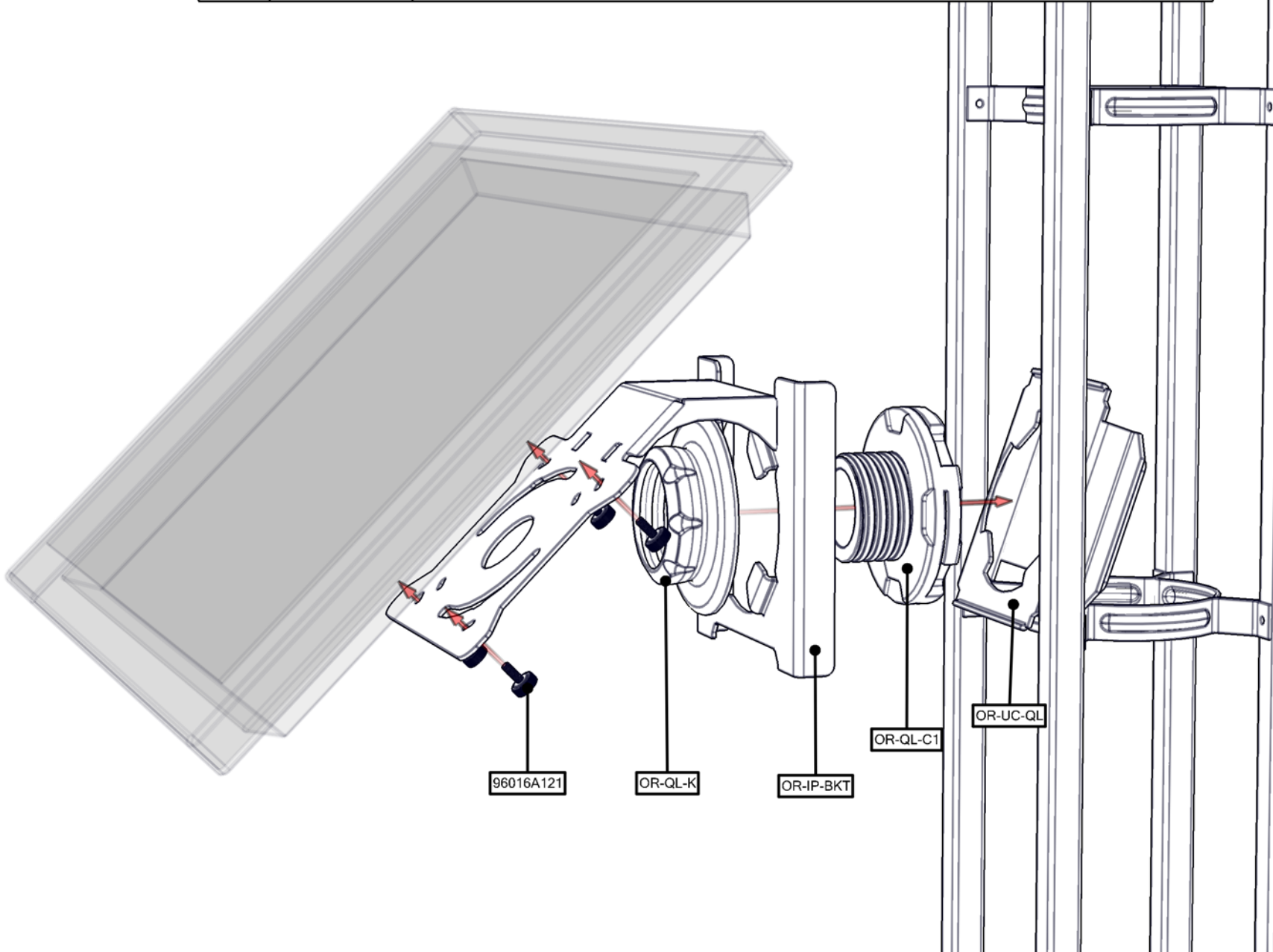
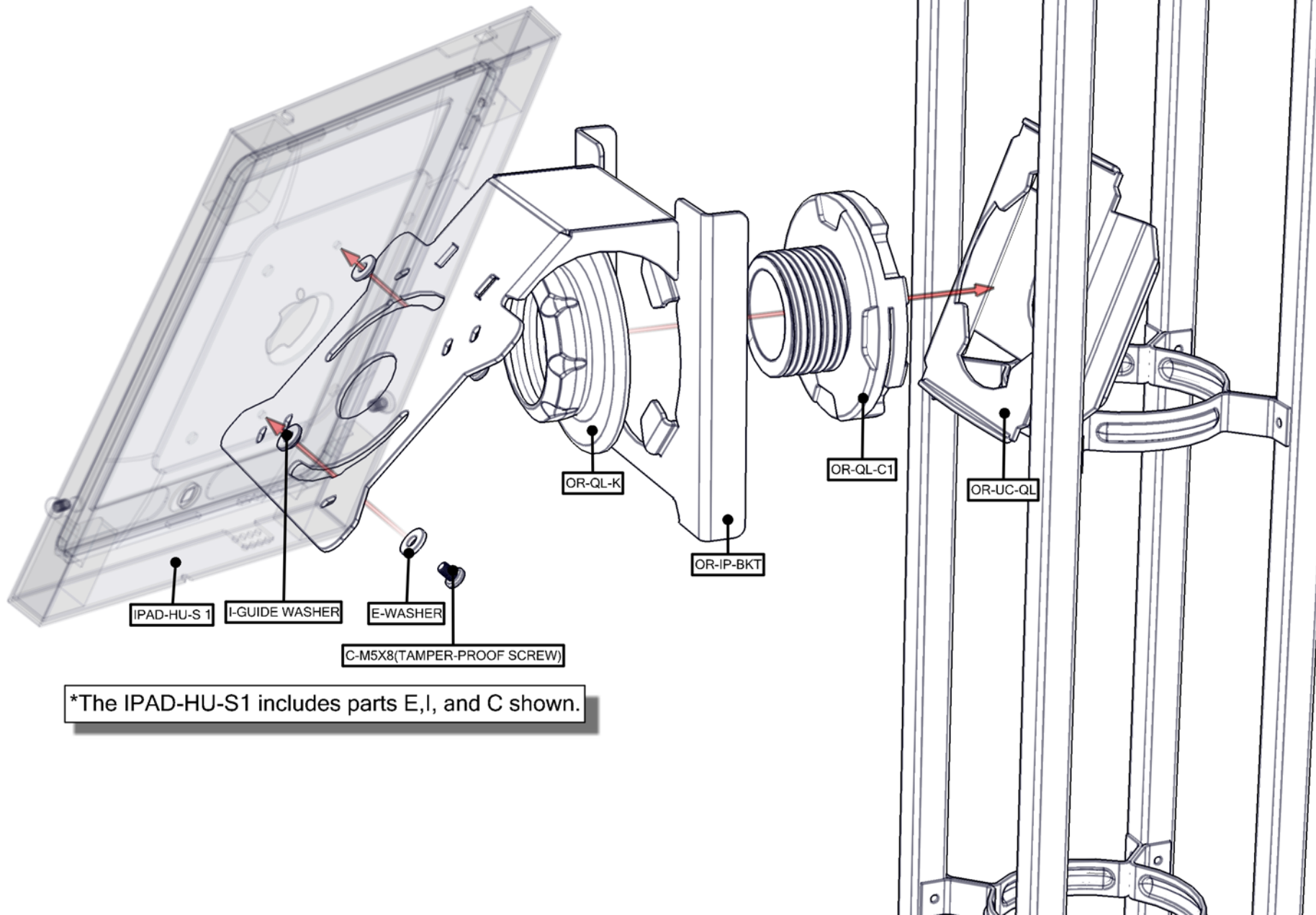


QTY	CODE	DESCRIPTION
4	96016A121	96016A121, M4 x 0.7 mm PITCH THUMB SCREW
1	OR-IP-BKT	ORBITAL IPAD BRACKET
1	OR-QL-C1	ORBITAL EXPRESS 1-SIDED CONNECTOR
1	OR-QL-K	ORBITAL EXPRESS CONNECTOR KNOBS
1	OR-UC-QL	ONE-PIECE UNIVERSAL CONNECTOR FOR ORBITAL EXPRESS (2011)

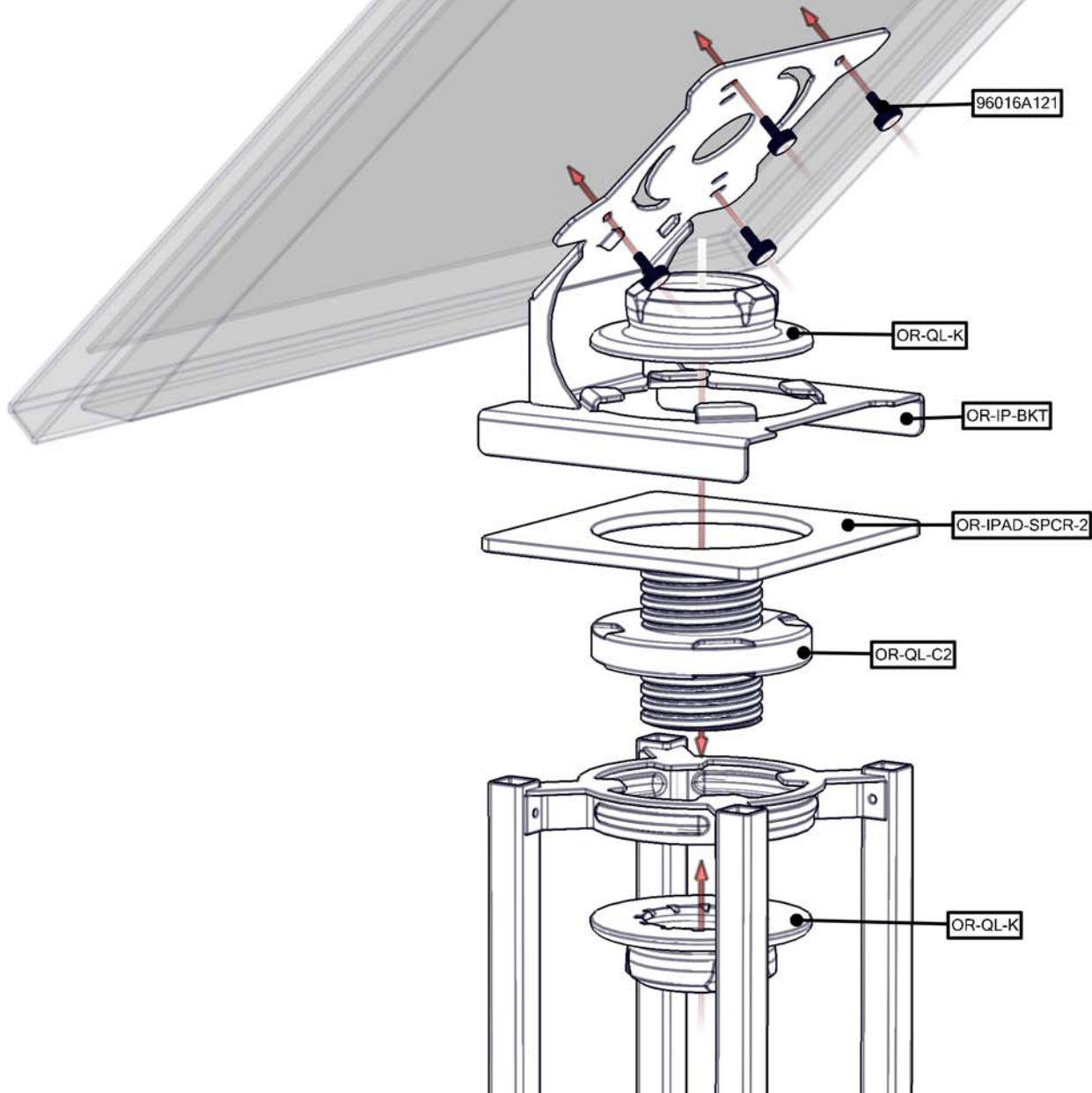


QTY	CODE	DESCRIPTION
1	IPAD-HU-S 1	IPAD ANTI THEFT CASE, SILVER
1	OR-IP-BKT	ORBITAL IPAD BRACKET
1	OR-QL-C1	ORBITAL EXPRESS 1-SIDED CONNECTOR
1	OR-QL-K	ORBITAL EXPRESS CONNECTOR KNOBS
1	OR-UC-QL	ONE-PIECE UNIVERSAL CONNECTOR FOR ORBITAL EXPRESS (2011)

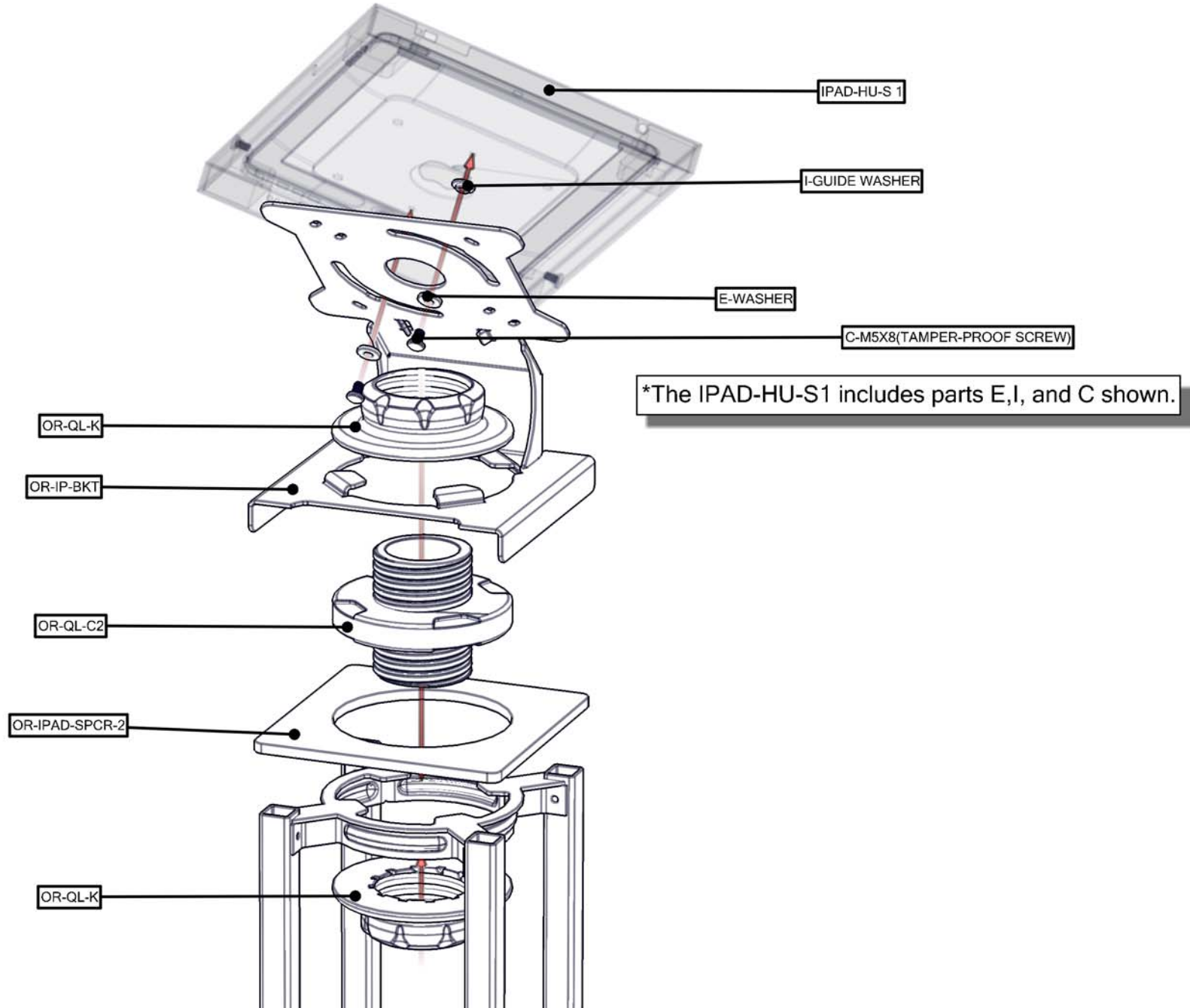


\*The IPAD-HU-S1 includes parts E, I, and C shown.

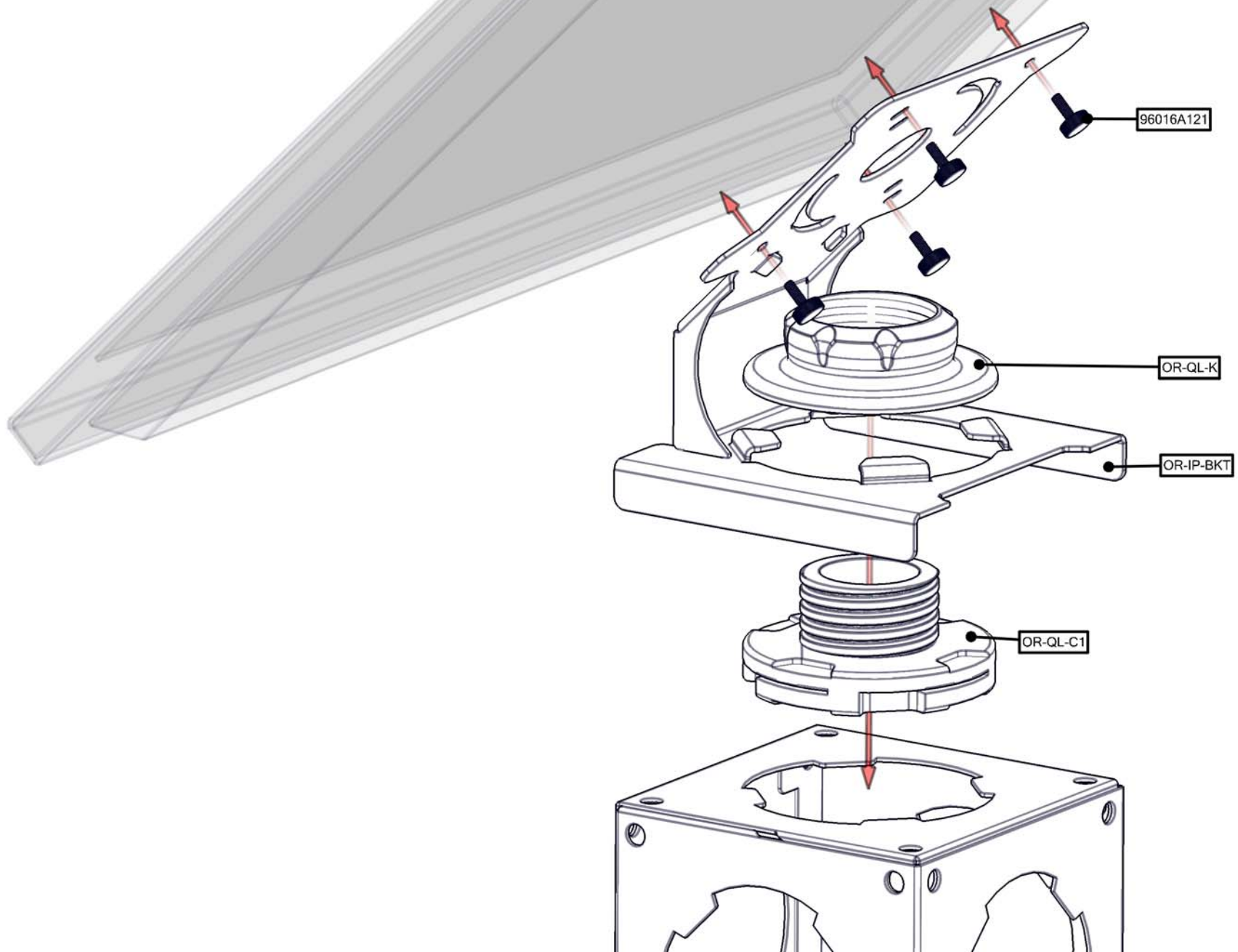
QTY	CODE	DESCRIPTION
4	96016A121	96016A121, M4 x 0.7 mm PITCH THUMB SCREW
1	OR-IP-BKT	ORBITAL IPAD BRACKET
1	OR-IPAD-SPCR-2	ORBITAL IPAD SPACER 2, 6MM (.25") THICK SPACER
1	OR-QL-C2	ORBITAL EXPRESS JUNCTION 2 SIDED CONNECTOR
2	OR-QL-K	ORBITAL EXPRESS CONNECTOR KNOBS



QTY	CODE	DESCRIPTION
1	IPAD-HU-S 1	IPAD ANTI THEFT CASE, SILVER
1	OR-IP-BKT	ORBITAL IPAD BRACKET
1	OR-IPAD-SPCR-2	ORBITAL IPAD SPACER 2, 6MM (.25") THICK SPACER
1	OR-QL-C2	ORBITAL EXPRESS JUNCTION 2 SIDED CONNECTOR
2	OR-QL-K	ORBITAL EXPRESS CONNECTOR KNOBS



QTY	CODE	DESCRIPTION
4	96016A121	96016A121, M4 x 0.7 mm PITCH THUMB SCREW
1	OR-IP-BKT	ORBITAL IPAD BRACKET ATTACHMENT
1	OR-QL-C1	ORBITAL EXPRESS 1-SIDED CONNECTOR
1	OR-QL-K	ORBITAL EXPRESS CONNECTOR KNOBS



QTY	CODE	DESCRIPTION
1	IPAD-HU-S 1	IPAD ANTI THEFT CASE, SILVER
1	OR-IP-BKT	ORBITAL IPAD BRACKET
1	OR-QL-C1	ORBITAL EXPRESS 1-SIDED CONNECTOR
1	OR-QL-K	ORBITAL EXPRESS CONNECTOR KNOBS

