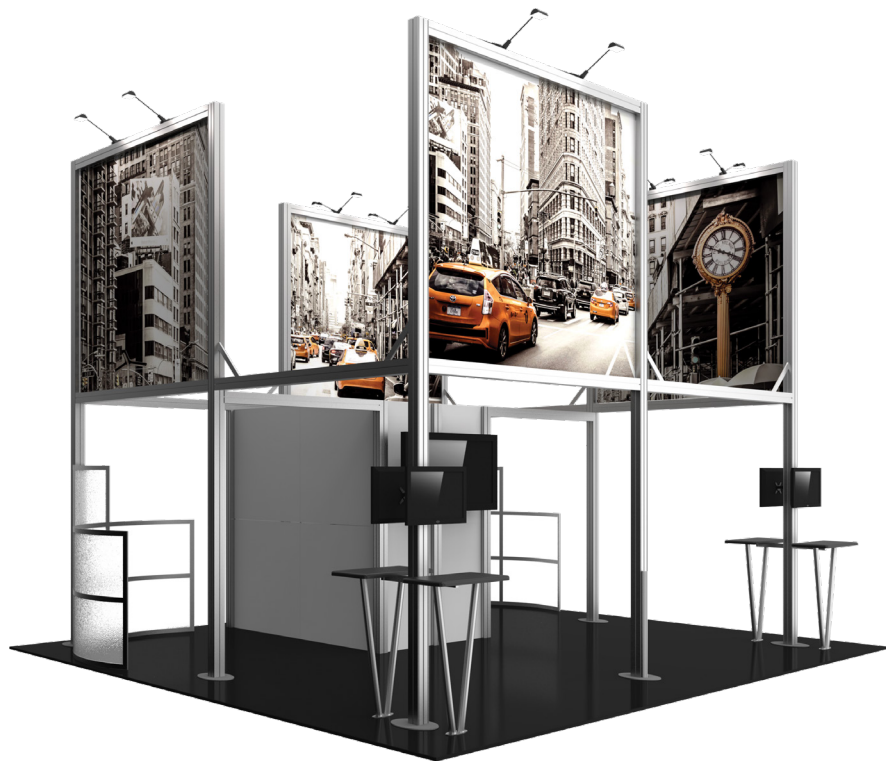


Hybrid Pro Modular Kit 19

HP-K-19

Hybrid Pro™ Modular exhibits and counters are a perfect solution for the serious exhibitor. Exhibits feature heavy-duty aluminum extrusion frames and push-fit fabric graphics. Count on making an unforgettable impact with Hybrid Pro Modular exhibit kits, counters, and accessories.



features and benefits:

- 15'9" tall island display
- Features two semi-private meeting alcoves with curved frosted plex infills
- Storage room features white laminate panels, a locking door, and a monitor mount
- 16 Lumina 200 LED floodlights
- Kit includes: frame, eight fabric graphic panels, two curved plex infills, laminate storage room, four tables*, four small monitor mounts*, one large monitor mount, sixteen spotlights, and one woodcrate
- Lifetime hardware warranty against manufacturer defects

dimensions:

Hardware

Assembled unit:
235.63" w x 189" h x 200.75" d
5985mm(w) x 4801mm(h) x 5099mm(d)

Approximate weight:
1229 lbs / 558 kg

Shipping

Packing case(s):
1 WOODCRATE-H

Shipping dimensions:
WOODCRATE-H:
101" l x 53" h x 49" d
2565mm(l) x 1346mm(h) x 1245mm(d)

Approximate total shipping weight:
1609 lbs / 730 kg

Graphic

Refer to related graphic template for more information.

Visit:
<https://www.theexhibitorshandbook.com/download-graphic-templates>

additional information:

Graphic material:
Dye-sublimation SEG push-fit fabric
Frosted Plex

*Monitors, flooring and HPC-04 not included

Table holds max weight:
25 lbs / 12 kg

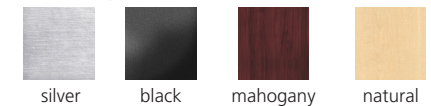
Small monitor mount holds max weight: 50 lbs / 19 kg

Small monitor mount holds VESA patterns:
23"-42"

Large monitor mount holds max weight:
50 lbs / 36 kg

Large monitor mount holds VESA patterns:
37"-70"

Tabletop Colors:



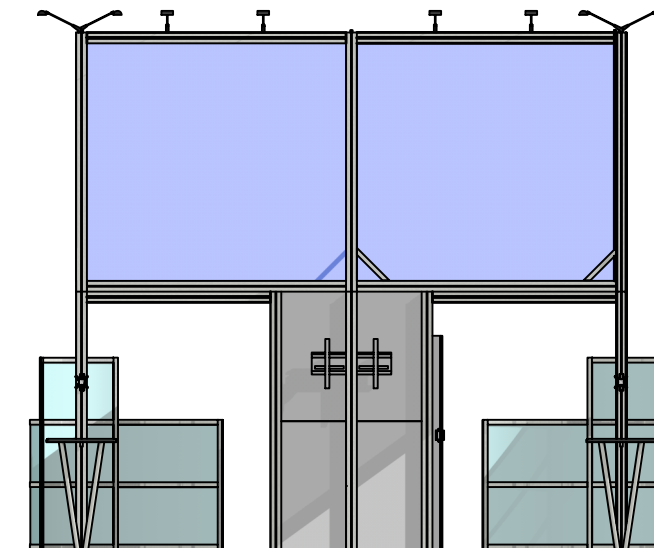
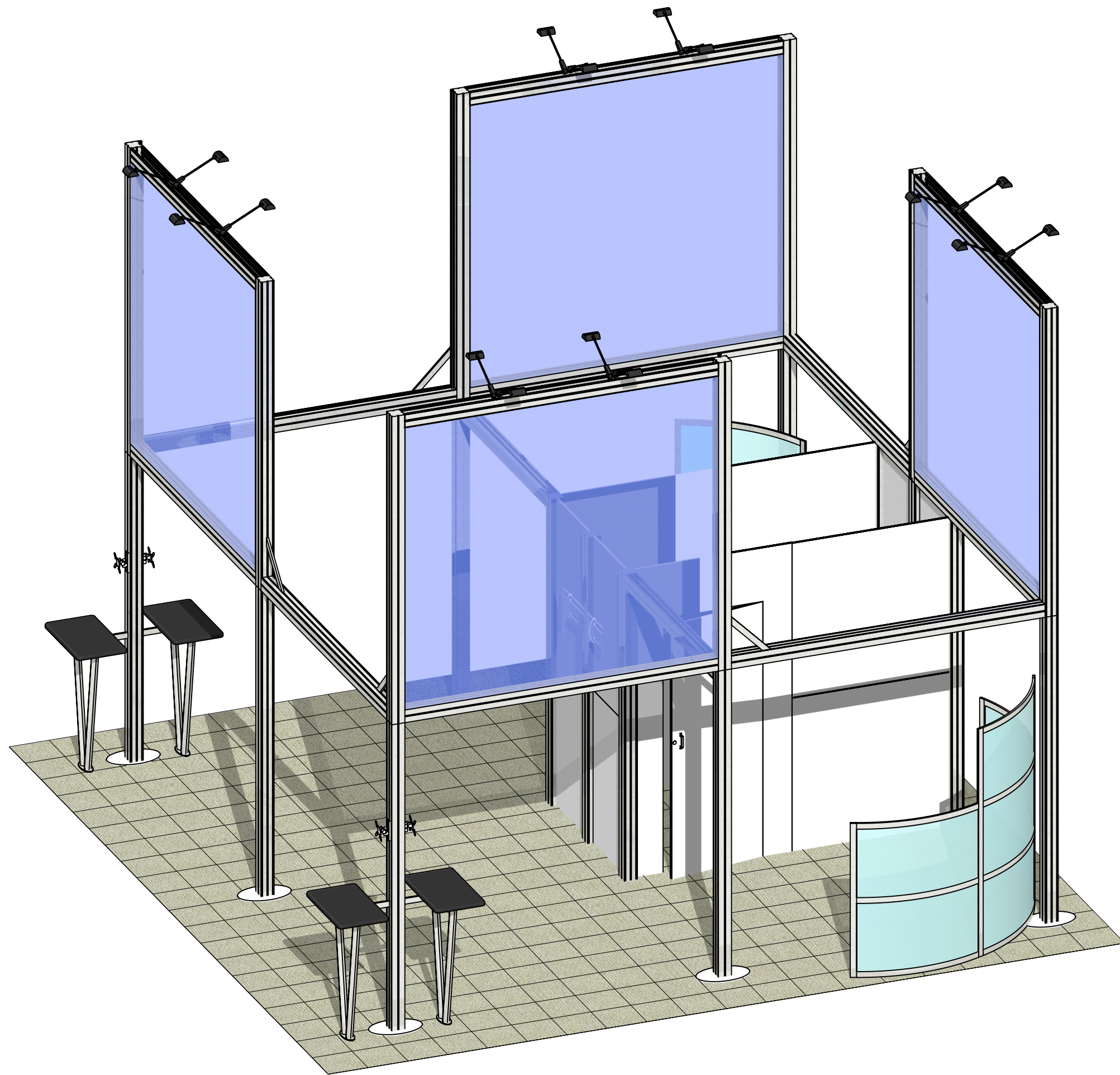
This product may include the following materials for recycle: aluminum, select wood, fabric, cardboard, paper, steel, and plastics.

3 person assembly recommended:



We are continually improving and modifying our product range and reserve the right to vary the specifications without prior notice. All dimensions and weights quoted are approximate and we accept no responsibility for variance. E&OE. See Graphic Templates for graphic bleed specifications.

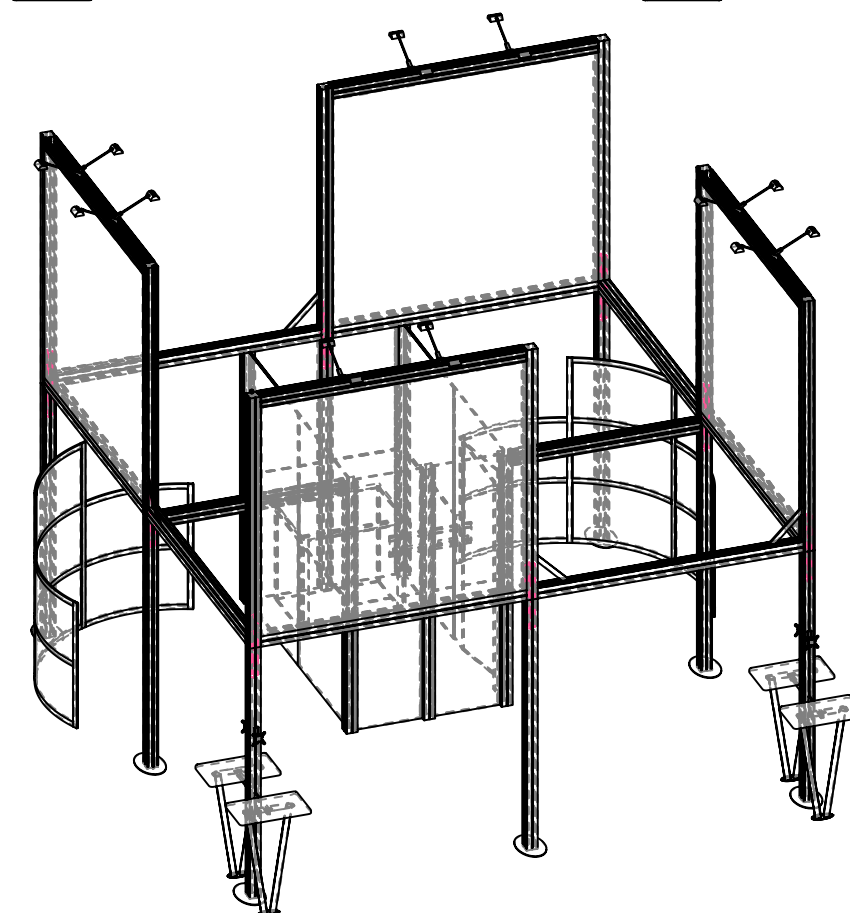
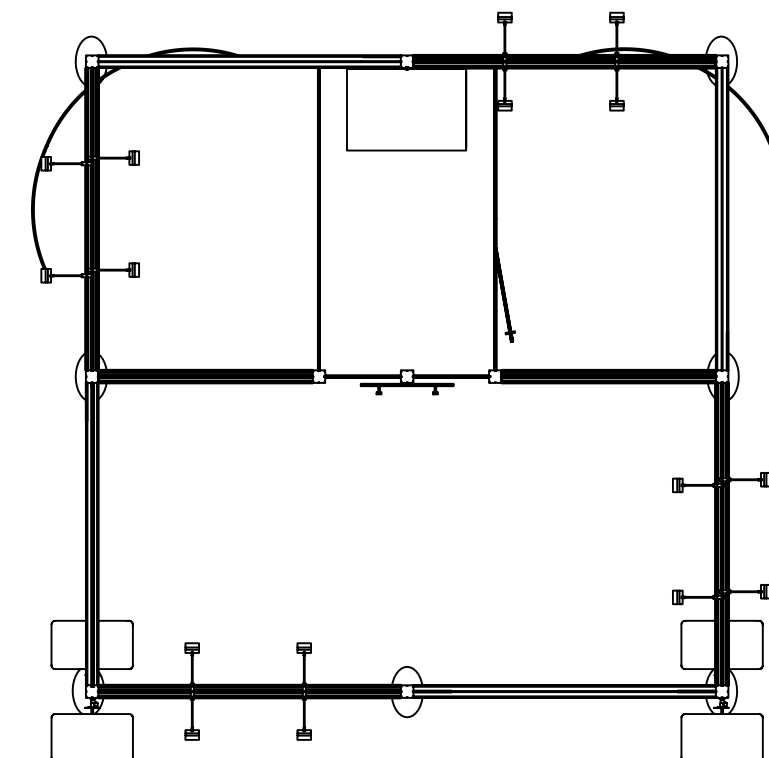
R-HP-K-19

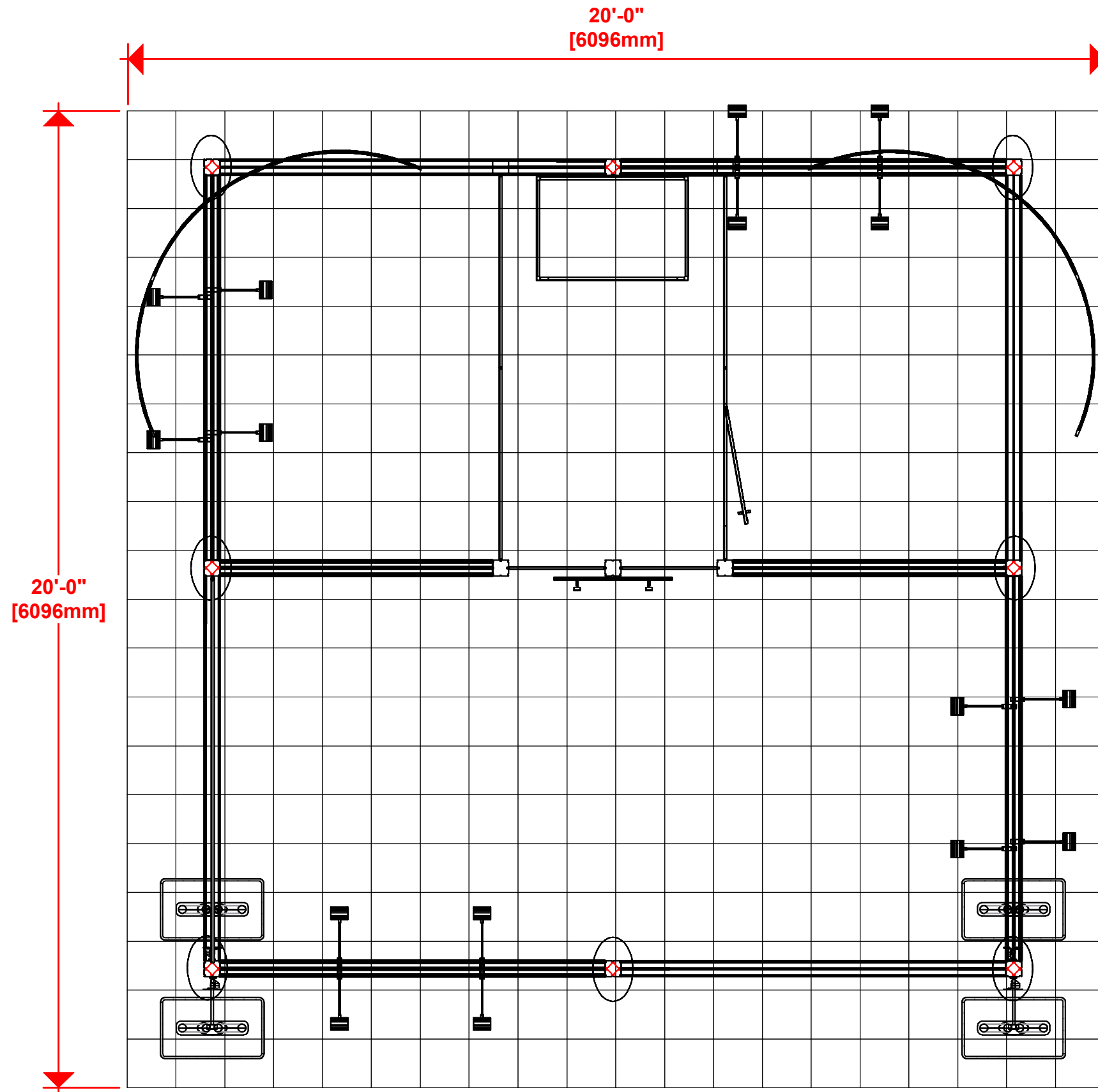


Code	#	Description
GRAPHIC C2	1	86 5/8" (H) X 94 1/2" (W) SINGLE SIDED DYESUB GRAPHIC W/ FCE-2 (SEG) ON PERIMETER
GRAPHIC C1	1	86 5/8" (H) X 94 1/2" (W) SINGLE SIDED DYESUB GRAPHIC W/ FCE-2 (SEG) ON PERIMETER
GRAPHIC D2	1	86 5/8" (H) X 94 1/2" (W) SINGLE SIDED DYESUB GRAPHIC W/ FCE-2 (SEG) ON PERIMETER
GRAPHIC D1	1	86 5/8" (H) X 94 1/2" (W) SINGLE SIDED DYESUB GRAPHIC W/ FCE-2 (SEG) ON PERIMETER
R8	4	300MM (11 13/16") PH WITH SLIDE LOCK AT BOTH ENDS
V-LG-02	4	1005MM X 450MM (39 9/16 " X 17 23/32") V LEG 50MM CHANNEL TUBE
V-CW-CT-01	4	384MM X 646MM (15 1/8" X 25 7/16") HYBRID RECTANGLE TOP
PM4BP1	7	15 3/4" X 9 7/8" ALUMINUM BASE PLATE
R115	2	2400MM PM4S2 EXTRUSION WITH LOCK ONE END □□□□
L180N-600	28	600MM (23.62") 180N DEGREE SILVER LINK EXTRUSION
L180N-1200	14	1200MM (47.24") 180N DEGREE SILVER LINK EXTRUSION
R93	8	4 X 2 (1200MM X 600MM) LAMINATE PANELS
R75	16	2400MM (94.49") 100MM PM4S2 SQUARE EXTRUSION WITH STOPS AT 305MM BOTH ENDS
R70	6	4 X 4 (1200MM X 1200MM) LAMINATE PANELS
R117	2	2400MM PM4S2 WITH SET SCREW AT 305MM BOTH ENDS WIRE HOLE @ 66" [ON CENTER] ONE CHANNEL SIDE
EXT-LG-MB	1	LARGE MONITOR MOUNTING BRACKET FOR MONITORS (37"-70" at 80lbs max)
R74	2	3 X 2 (900MM X 600MM) LAMINATE PANEL
R57	1	3 X 3 (900MM X 900MM) LAMINATE PANEL
CT-32L	1	3' X 2' LAMINATE COUNTER TOP
R77	8	2400MM (94.49") 100MM PM4S2 SQUARE EXTRUSION WITH LOCKS 2 ENDS
R78	4	2400MM (94.49") 100MM PM4U SQUARE EXTRUSION WITH LOCKS 2 ENDS
R116	1	2400MM PM4S2 WITH SET SCREW AT 305MM BOTH ENDS WIRE HOLE @ 66" [ON CENTER] THREE CHANNELS
R81	2	1700MM (66.93") 100MM PM4U SQUARE EXTRUSION WITH LOCKS 2 ENDS
EXT-SM-MB	4	SF203-S1 MONITOR BRACKET (23"-42" at 40 lbs. max.)
R88	20	RADIUS PH-4RN PH EXTRUSION WITH LOCKS BOTH ENDS (LOCK(S) OUT)
R86	4	1200MM (47.24") PH EXTRUSION
R87	4	1779MM (70.04") PH EXTRUSION
FROSTED PLEX	14	545MM (V) X 965MM X 1/8" P95 SINGLE SIDED FROSTED PLEX
LEDL10S	16	LED SPOTLIGHT,3M,UL PLUG W/TRANSFORMER SILVER
R91	5	300MM PH SILVER EXTRUSION WITH MITER CUTS & 45 DEGREE LOCKS BOTH ENDS
R56	1	900MM V x 900MM W LAMINATE CABNET DOOR
R68	16	2186MM (86.06") FABRIC CONNECTION EXTRUSION
R83	16	2400MM (94.49") FABRIC CONNECTION EXTRUSION
GRAPHIC A1	1	86 5/8" (H) X 94 1/2" (W) SINGLE SIDED DYESUB GRAPHIC W/ FCE-2 (SEG) ON PERIMETER
GRAPHIC A2	1	86 5/8" (H) X 94 1/2" (W) SINGLE SIDED DYESUB GRAPHIC W/ FCE-2 (SEG) ON PERIMETER
GRAPHIC B1	1	86 5/8" (H) X 94 1/2" (W) SINGLE SIDED DYESUB GRAPHIC W/ FCE-2 (SEG) ON PERIMETER
GRAPHIC B2	1	86 5/8" (H) X 94 1/2" (W) SINGLE SIDED DYESUB GRAPHIC W/ FCE-2 (SEG) ON PERIMETER
R13	8	600MM (23.62") PM4D CONNECTOR WITH TENSION GLIDES
L90S-900	4	900MM (35.43") 90 DEGREE SILVER LINK EXTRUSION90 DEGREE
R92	1	2400MM (94.49)MM H x 1200MM (47.24) W x LAMINATE DOOR
WME-2400	5	2400MM (94.49") FABRIC CONNECTION EXTRUSION

BOM

R-HP-K-19



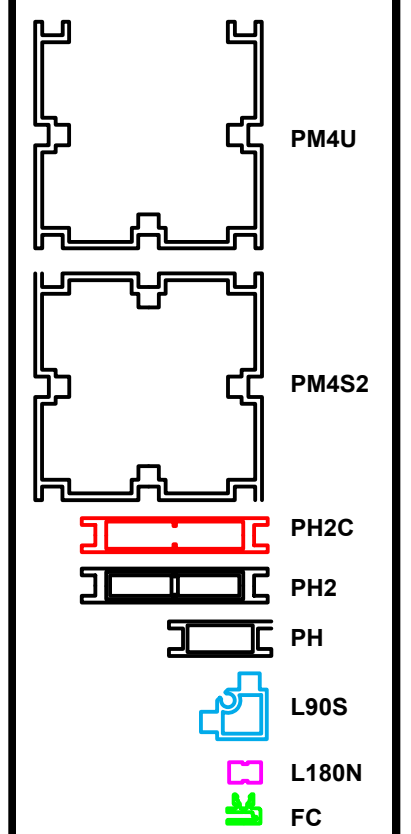


(16) LED 10S LIGHTS = 50W PER STICK

1. Redesign of this exhibit without approval by manufacturer may result in dangerous and unsafe structures. Manufacturer disclaims any responsibility for redesigned exhibits it does not approve in writing.

2. Parts and components such as panels and extrusions are manufactured to metric sizing. Where ever possible sizes have been noted in feet and inches as well as in metric. Below is the imperial to metric sizing table as reference. "Nominal" refers to approximate size.

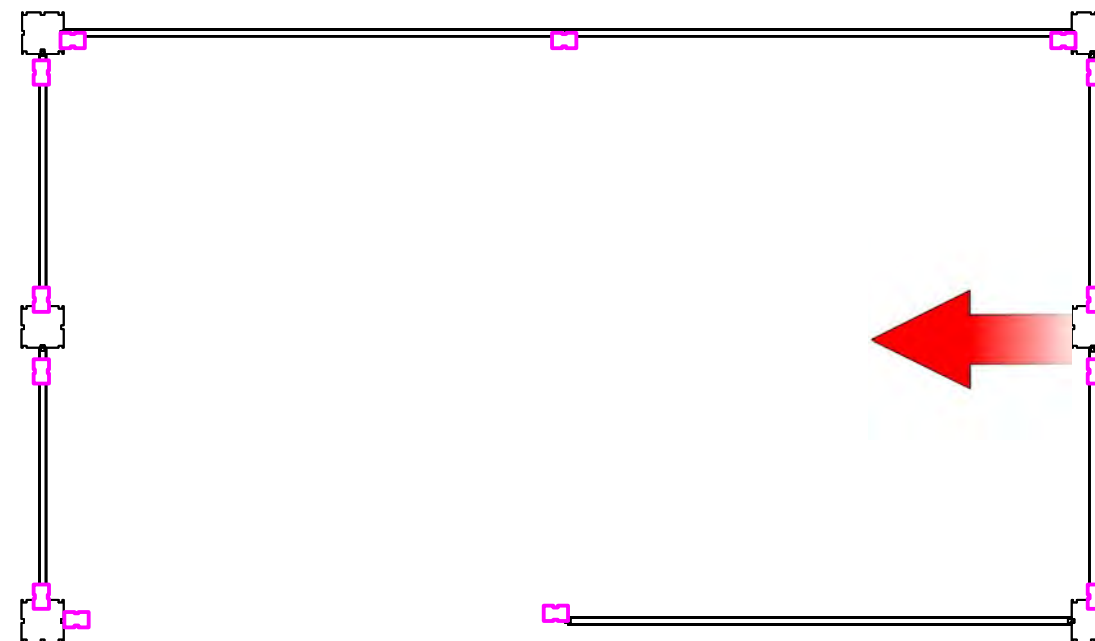
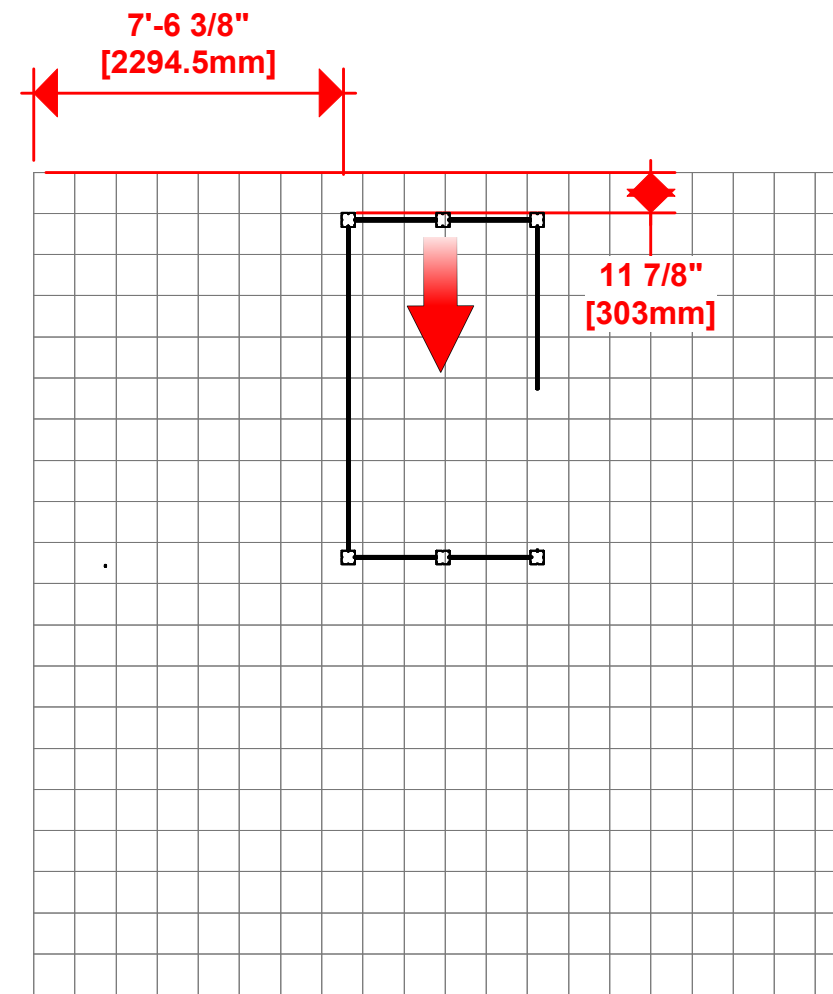
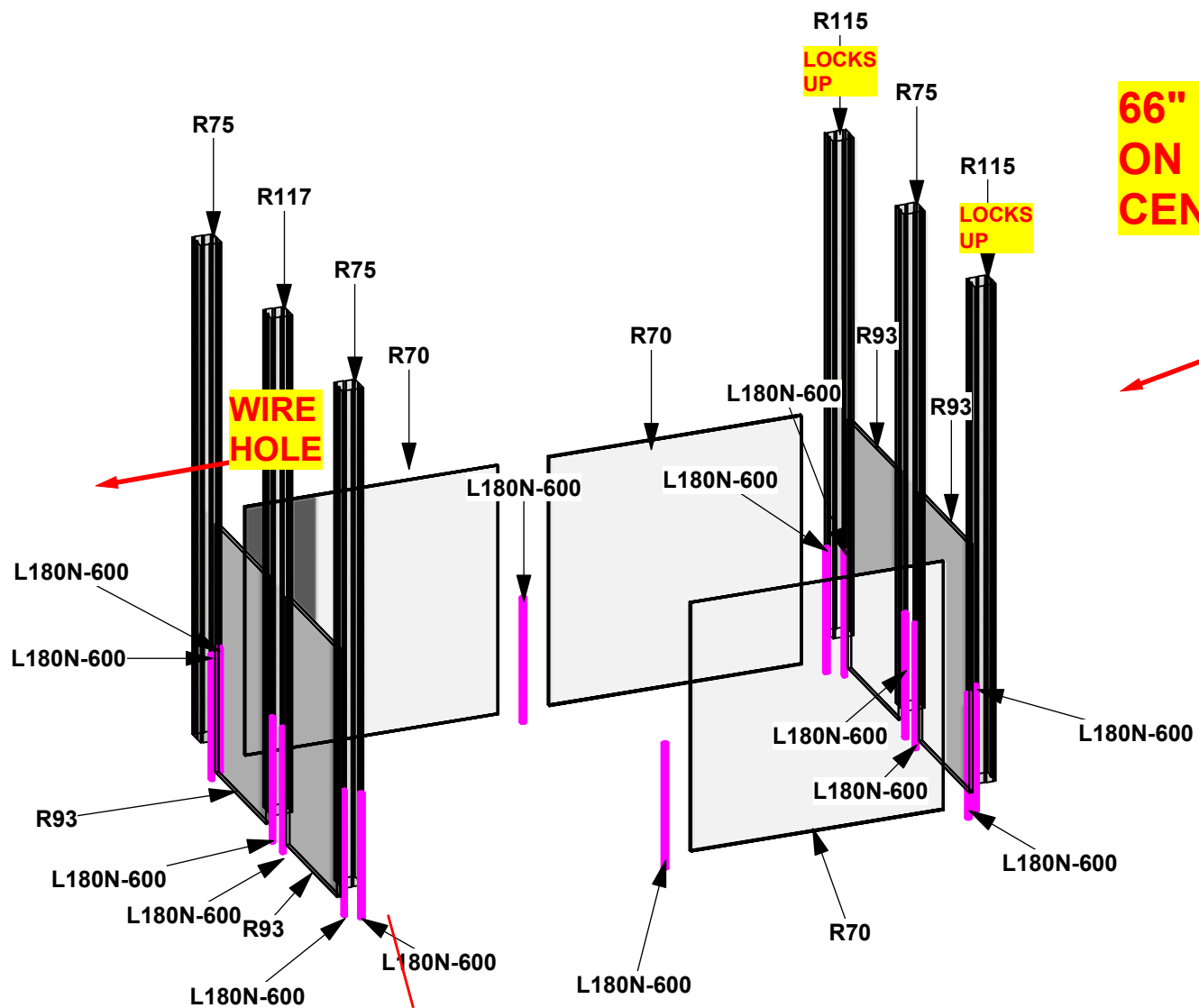
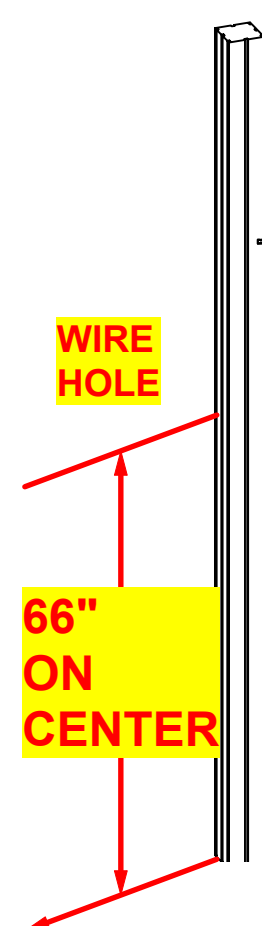
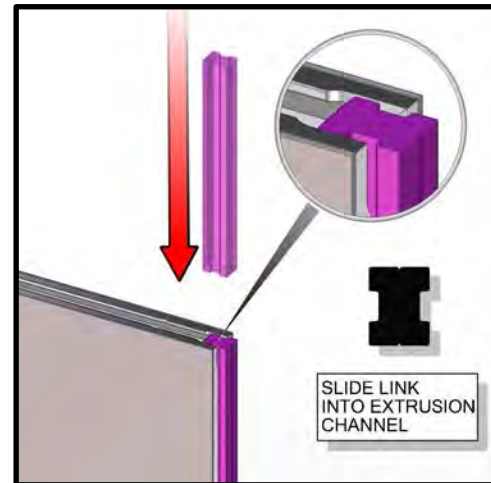
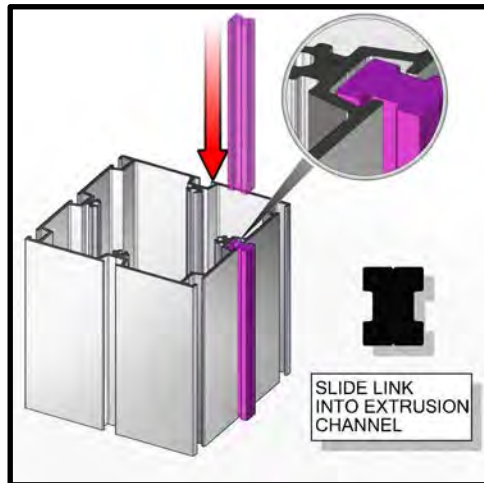
- | | |
|--------------------|---------------------------------|
| 2400mm = (94 1/2") | Phone Line / Fax |
| 2100mm = (82 5/8") | Internet connection |
| 1800mm = (70 7/8") | Outlet |
| 1500mm = (59") | Main Drop (point of distrution) |
| 1200mm = (47 1/4") | |
| 900mm = (35 1/2") | |
| 600mm = (23 5/8") | |
| 300mm = (11 7/8") | |
- Wire running under carpet



HYBRID PRO RENTAL KIT

Title: SET-UP INSTRUCTIONS

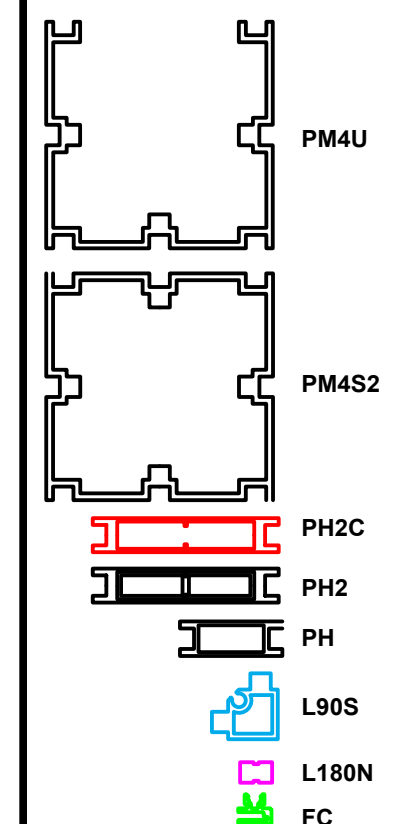
Code	#	Description
R115	2	2400MM PM4S2 EXTRUSION WITH LOCK ONE END
L180N-600	14	600MM (23.62") 180N DEGREE SILVER LINK EXTRUSION
R93	4	4 X 2 (1200MM X 600MM) LAMINATE PANELS
R75	3	2400MM (94.49") 100MM PM4S2 SQUARE EXTRUSION WITH STOPS AT 305MM BOTH ENDS
R70	3	4 X 4 (1200MM X 1200MM) LAMINATE PANELS
R117	1	2400MM PM4S2 WITH SET SCREW AT 305MM BOTH ENDS WIRE HOLE @ 66" [ON CENTER] ONE CHANNEL SIDE



1. Redesign of this exhibit without approval by manufacturer may result in dangerous and unsafe structures. Manufacturer disclaims any responsibility for redesigned exhibits it does not approve in writing.

2. Parts and components such as panels and extrusions are manufactured to metric sizing. Where ever possible sizes have been noted in feet and inches as well as in metric. Below is the imperial to metric sizing table as reference. "Nominal" refers to approximate size.

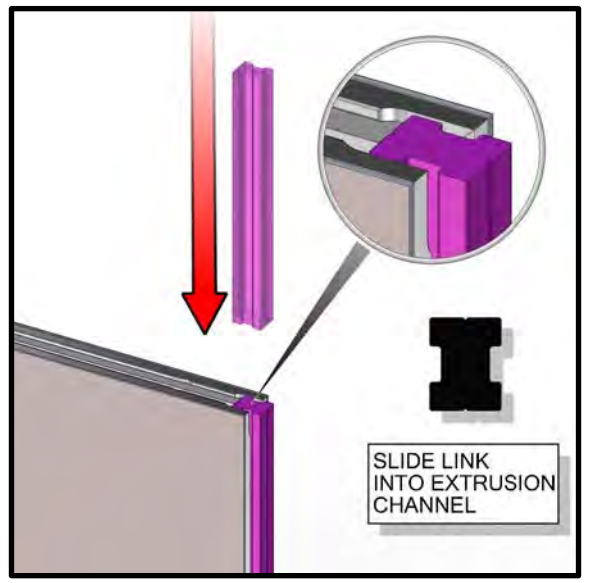
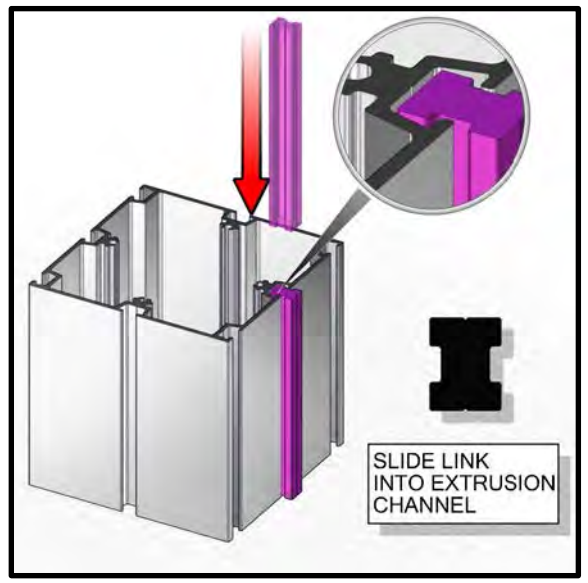
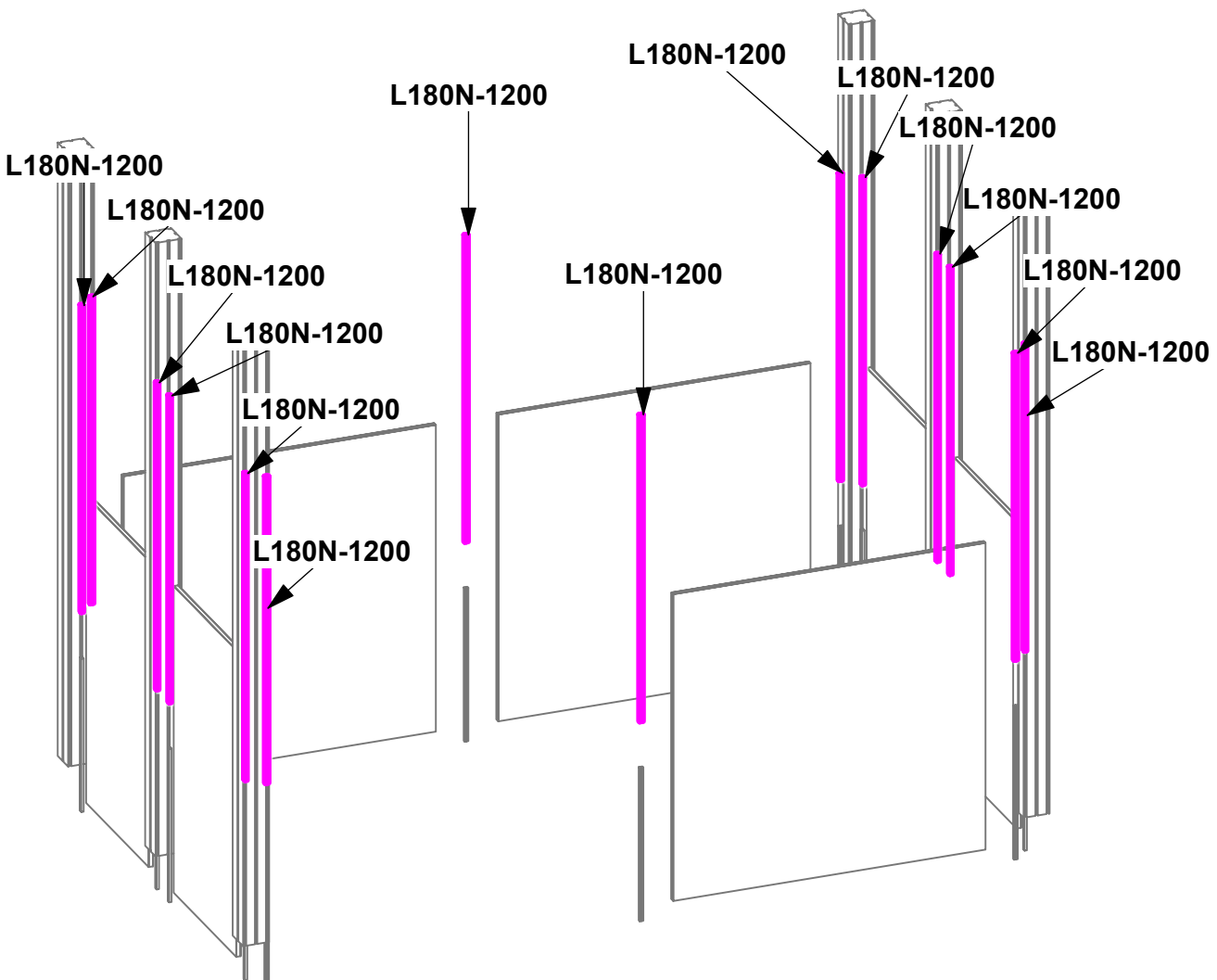
- | | |
|--------------------|---------------------------------|
| 2400mm = (94 1/2") | Phone Line / Fax |
| 2100mm = (82 5/8") | Internet connection |
| 1800mm = (70 7/8") | Outlet |
| 1500mm = (59") | Main Drop (point of distrution) |
| 1200mm = (47 1/4") | |
| 900mm = (35 1/2") | |
| 600mm = (23 5/8") | |
| 300mm = (11 7/8") | |
- Wire running under carpet



HYBRID PRO RENTAL KIT

Title: SET-UP INSTRUCTIONS

Code	#	Description
L180N-1200	28	1200MM (47.24") 180N DEGREE SILVER LINK EXTRUSION

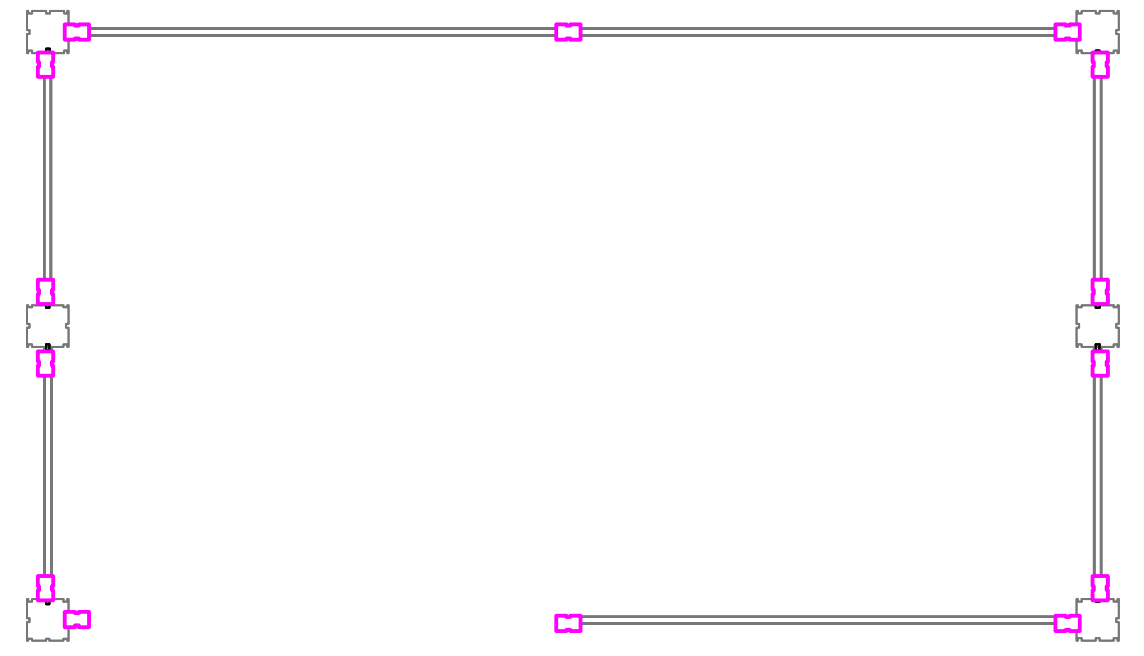
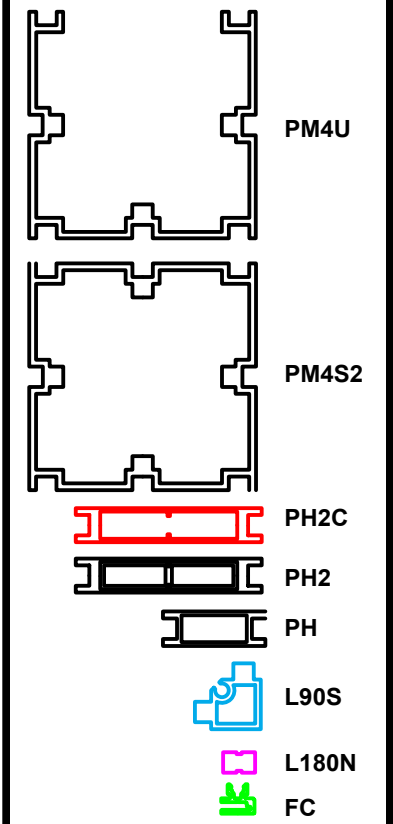


1. Redesign of this exhibit without approval by manufacturer may result in dangerous and unsafe structures. Manufacturer disclaims any responsibility for redesigned exhibits it does not approve in writing.

2. Parts and components such as panels and extrusions are manufactured to metric sizing. Where ever possible sizes have been noted in feet and inches as well as in metric. Below is the imperial to metric sizing table as reference. "Nominal" refers to approximate size.

2400mm = (94 1/2")	Phone Line / Fax
2100mm = (82 5/8")	Internet connection
1800mm = (70 7/8")	Outlet
1500mm = (59")	Main Drop (point of distrution)
1200mm = (47 1/4")	
900mm = (35 1/2")	
600mm = (23 5/8")	
300mm = (11 7/8")	

--- Wire running under carpet

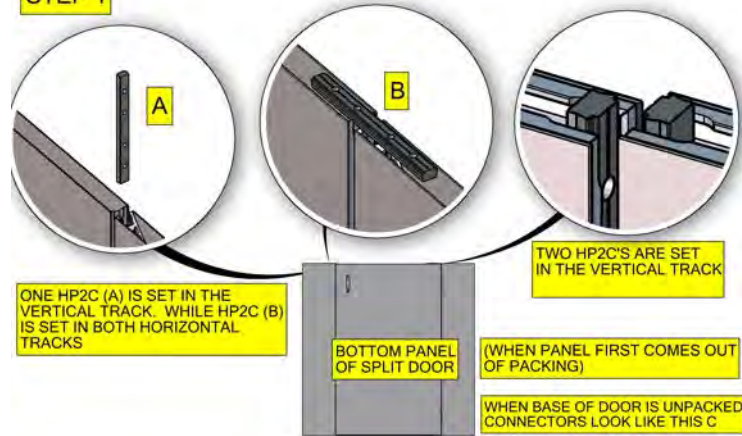


HYBRID PRO RENTAL KIT

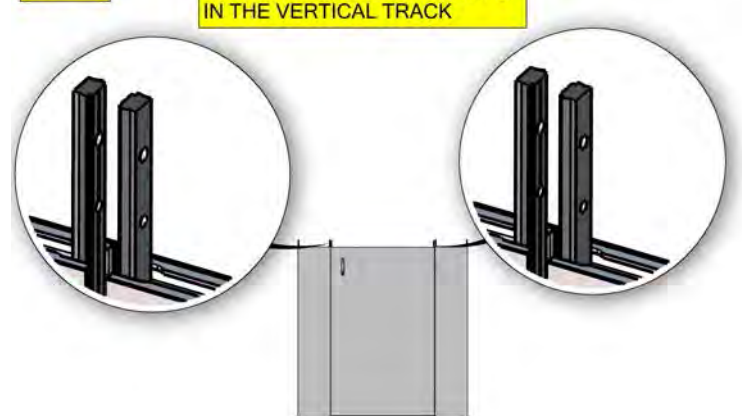
Title: SET-UP INSTRUCTIONS

Code	#	Description
R93	4	4 X 2 (1200MM X 600MM) LAMINATE PANELS
R70	3	4 X 4 (1200MM X 1200MM) LAMINATE PANELS
EXT-LG-MB	1	LARGE MONITOR MOUNTING BRACKET FOR MONITORS
R92	1	2400MM (94.49)MM H x 1200MM (47.24) W x LAMINATE DOOR

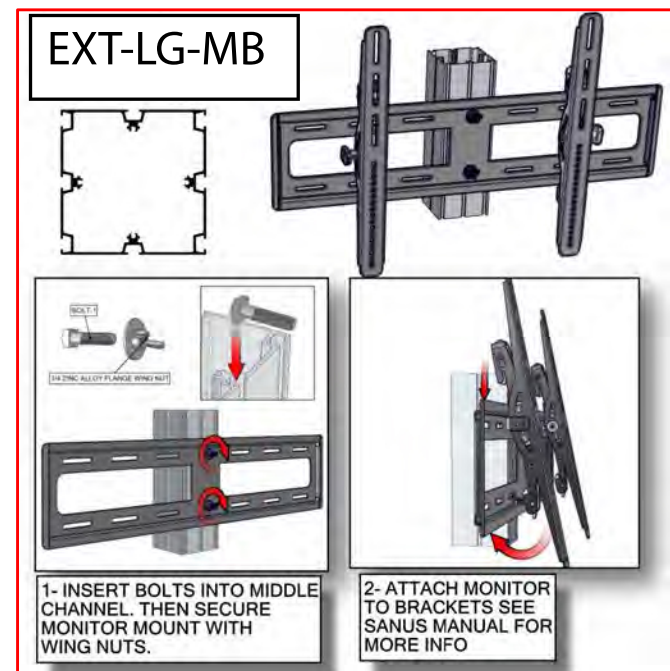
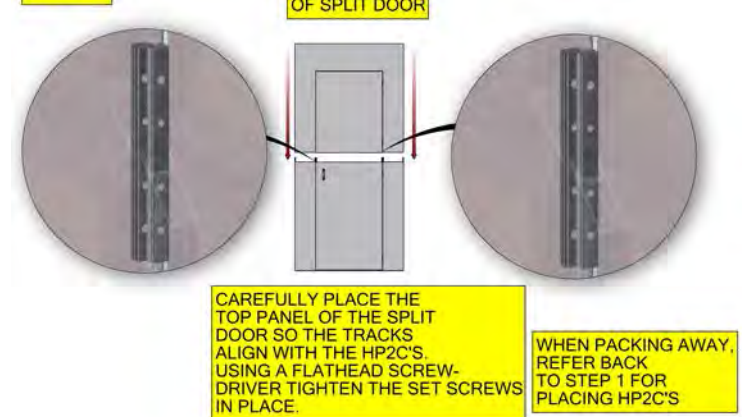
STEP 1



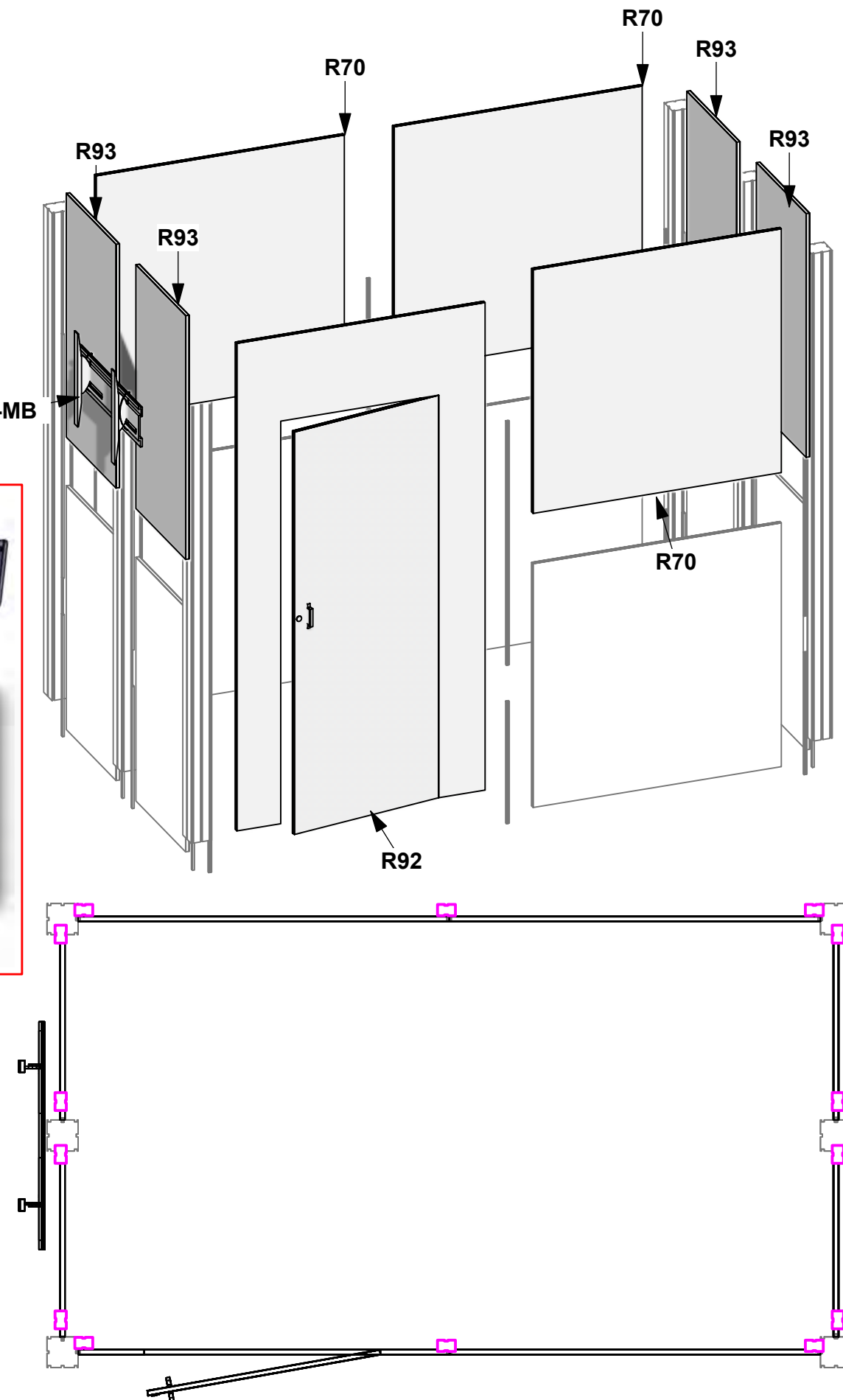
STEP 2



STEP 3



EXT-LG-MB

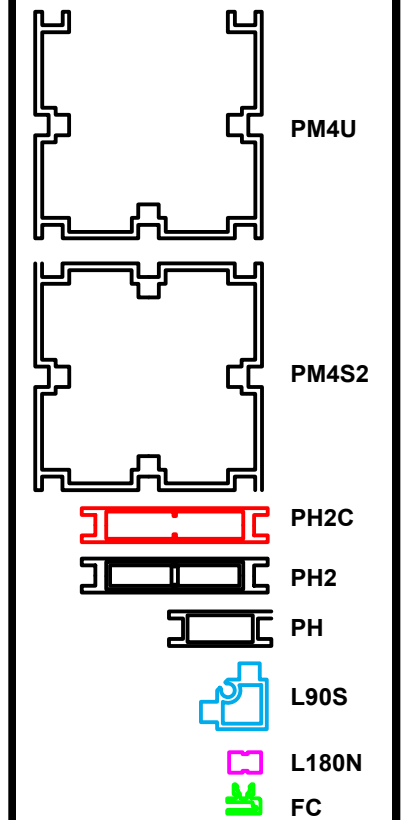


1. Redesign of this exhibit without approval by manufacturer may result in dangerous and unsafe structures. Manufacturer disclaims any responsibility for redesigned exhibits it does not approve in writing.

2. Parts and components such as panels and extrusions are manufactured to metric sizing. Where ever possible sizes have been noted in feet and inches as well as in metric. Below is the imperial to metric sizing table as reference. "Nominal" refers to approximate size.

2400mm = (94 1/2")	Phone Line / Fax
2100mm = (82 5/8")	Internet connection
1800mm = (70 7/8")	Outlet
1500mm = (59")	Main Drop (point of distrution)
1200mm = (47 1/4")	
900mm = (35 1/2")	
600mm = (23 5/8")	
300mm = (11 7/8")	

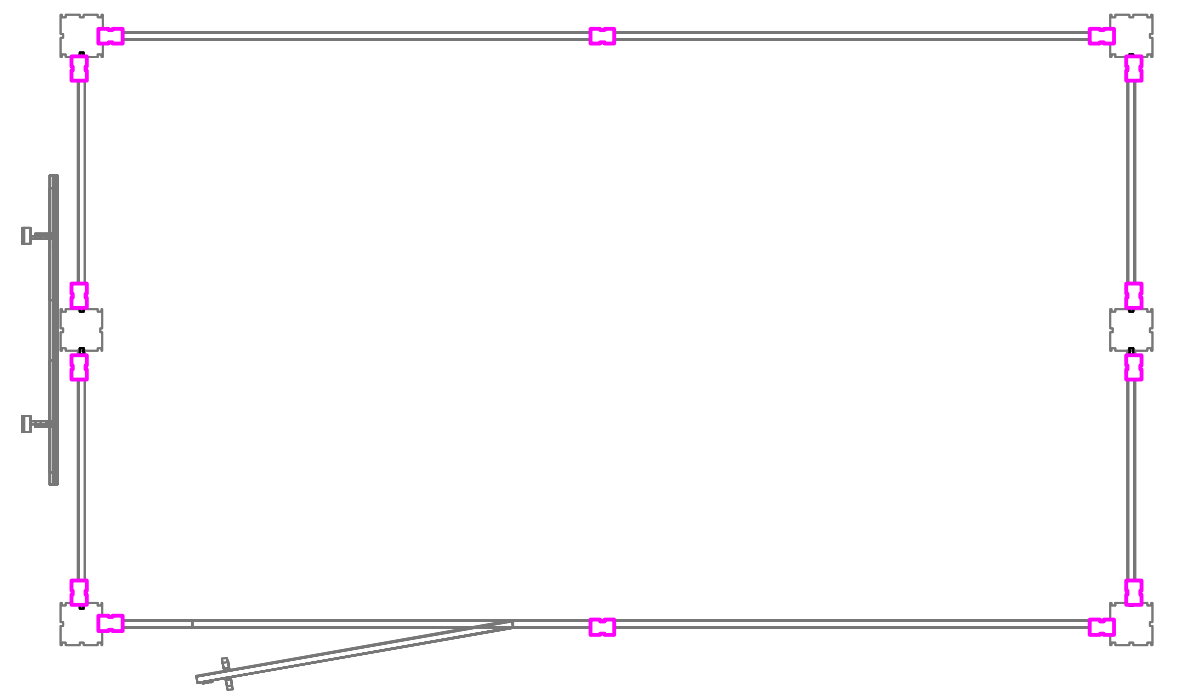
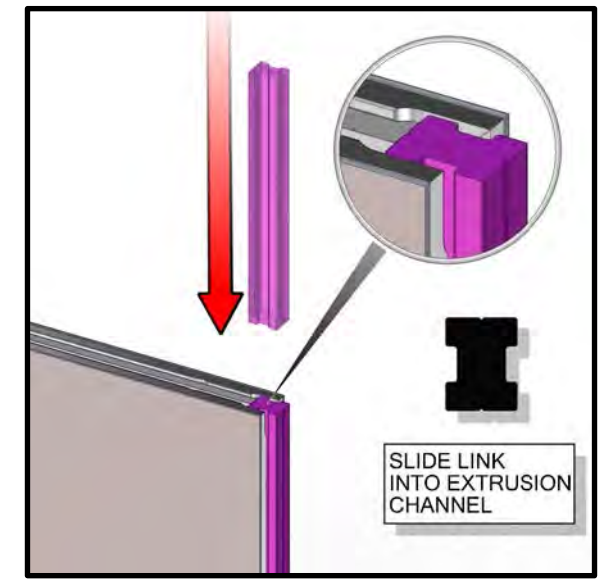
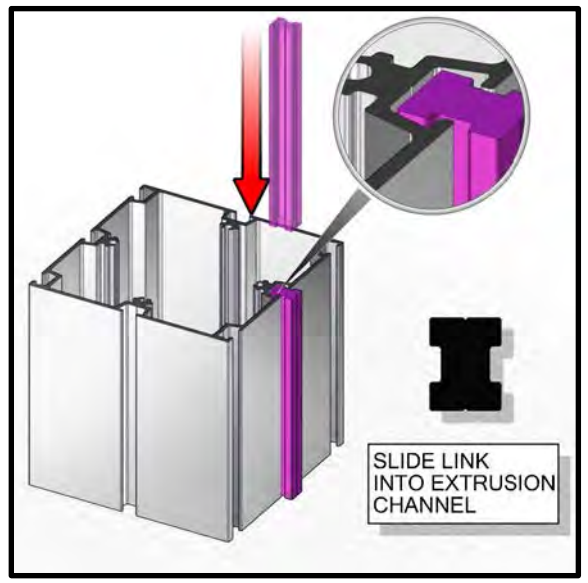
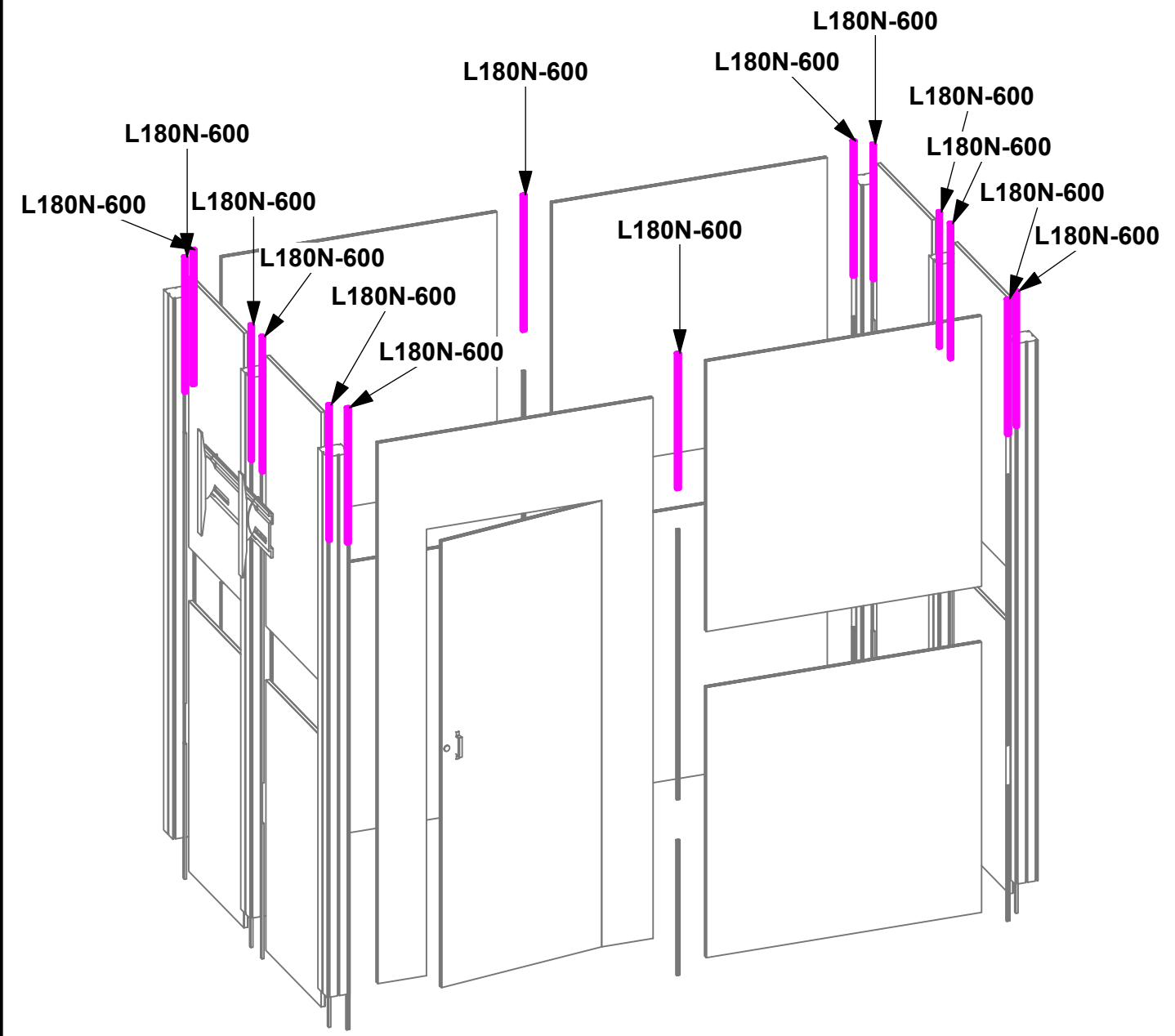
Wire running under carpet



HYBRID PRO RENTAL KIT

Title: SET-UP INSTRUCTIONS

Code	#	Description
L180N-600	14	600MM (23.62") 180N DEGREE SILVER LINK EXTRUSION

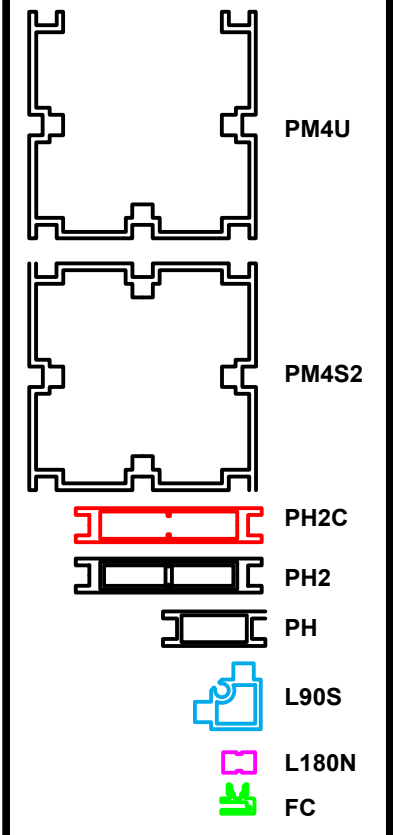


1. Redesign of this exhibit without approval by manufacturer may result in dangerous and unsafe structures. Manufacturer disclaims any responsibility for redesigned exhibits it does not approve in writing.

2. Parts and components such as panels and extrusions are manufactured to metric sizing. Where ever possible sizes have been noted in feet and inches as well as in metric. Below is the imperial to metric sizing table as reference. "Nominal" refers to approximate size.

2400mm = (94 1/2")	Phone Line / Fax
2100mm = (82 5/8")	Internet connection
1800mm = (70 7/8")	Outlet
1500mm = (59")	Main Drop (point of distrution)
1200mm = (47 1/4")	
900mm = (35 1/2")	
600mm = (23 5/8")	
300mm = (11 7/8")	

--- Wire running under carpet



HYBRID PRO RENTAL KIT

Title: SET-UP INSTRUCTIONS

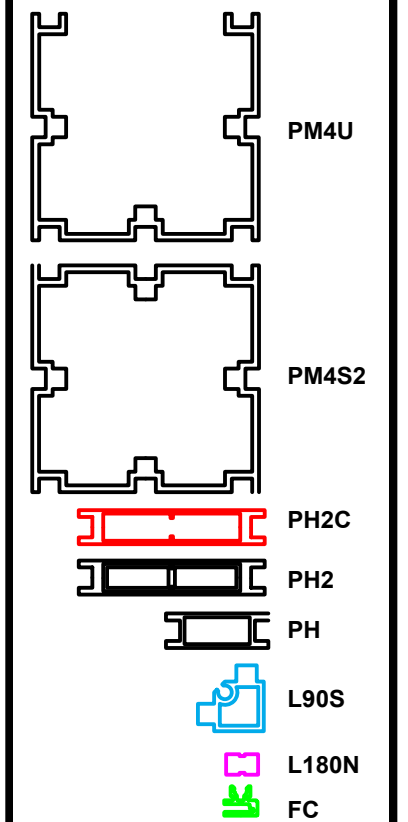
Code	#	Description
PM4BP1	4	15 3/4" X 9 7/8" ALUMINUM BASE PLATE
R75	9	2400MM (94.49") 100MM PM4S2 SQUARE EXTRUSION WITH STOPS AT 305MM BOTH
R77	4	2400MM (94.49") 100MM PM4S2 SQUARE EXTRUSION WITH LOCKS 2 ENDS
R83	4	2400MM (94.49") FABRIC CONNECTION EXTRUSION
R13	5	600MM (23.62") PM4D CONNECTOR WITH TENSION GLIDES

1. Redesign of this exhibit without approval by manufacturer may result in dangerous and unsafe structures. Manufacturer disclaims any responsibility for redesigned exhibits it does not approve in writing.

2. Parts and components such as panels and extrusions are manufactured to metric sizing. Where ever possible sizes have been noted in feet and inches as well as in metric. Below is the imperial to metric sizing table as reference. "Nominal" refers to approximate size.

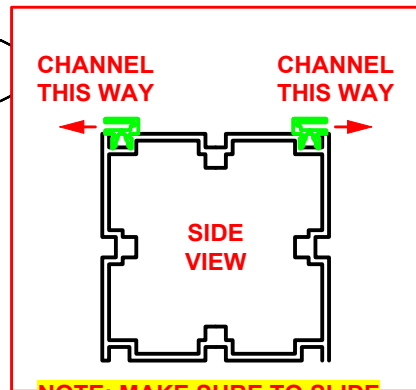
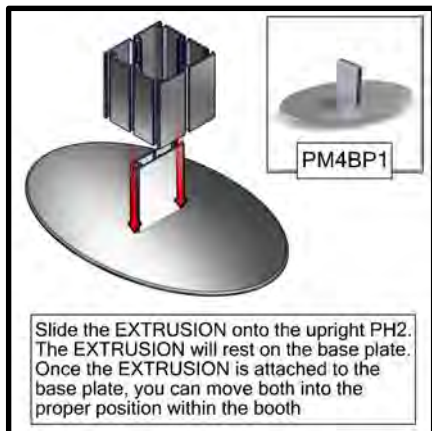
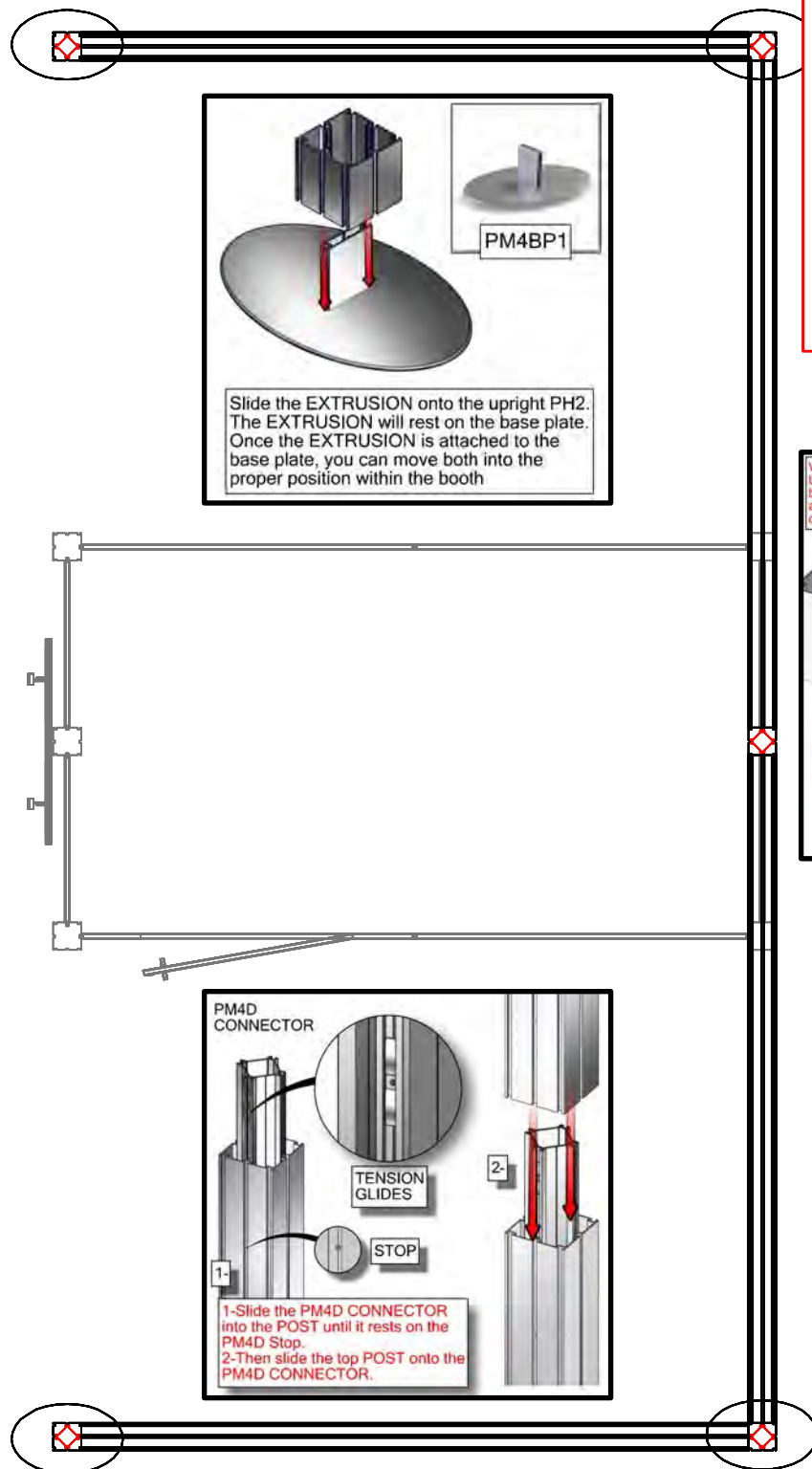
2400mm = (94 1/2")	Phone Line / Fax
2100mm = (82 5/8")	Internet connection
1800mm = (70 7/8")	Outlet
1500mm = (59")	Main Drop (point of distrution)
1200mm = (47 1/4")	
900mm = (35 1/2")	
600mm = (23 5/8")	
300mm = (11 7/8")	

--- Wire running under carpet

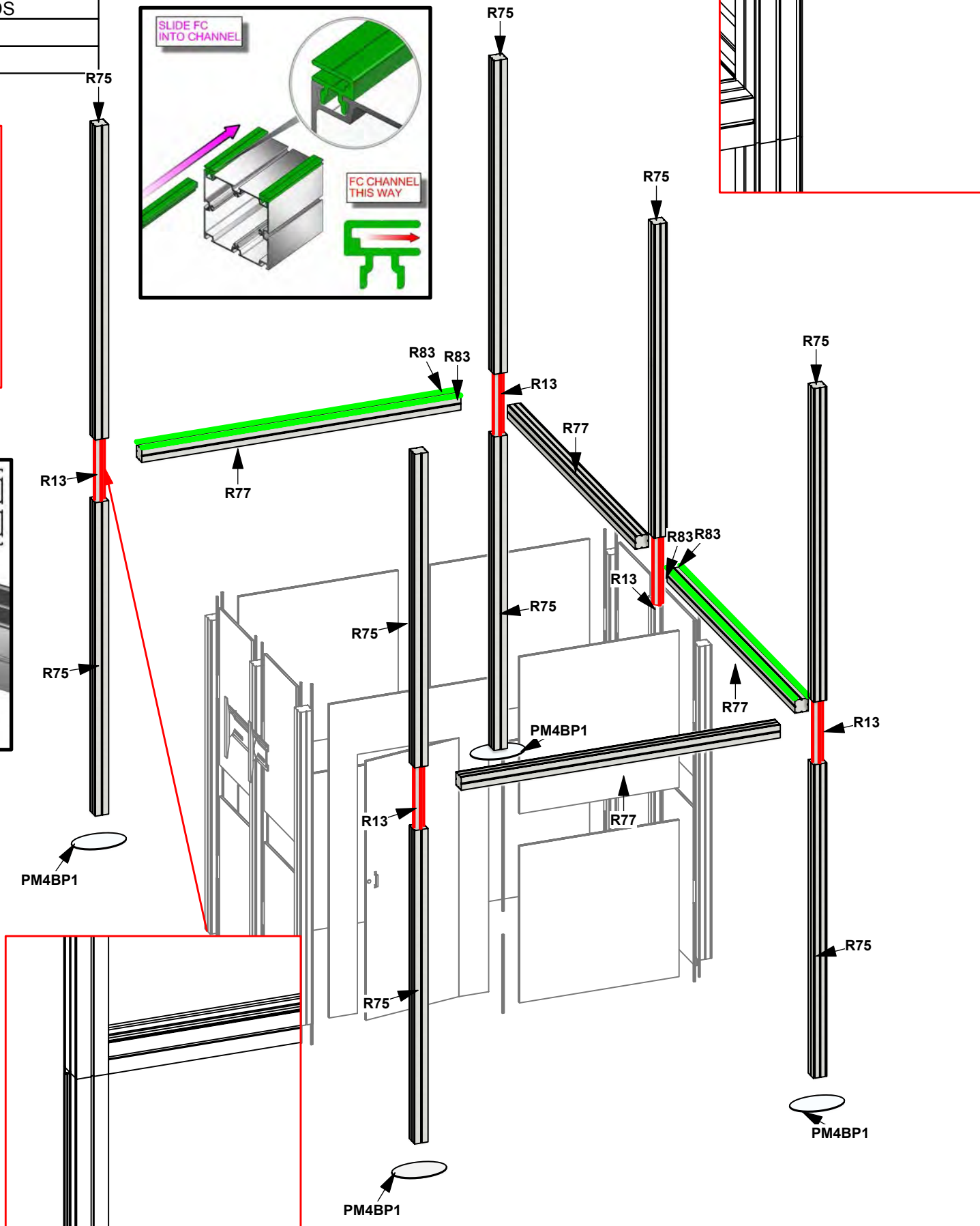
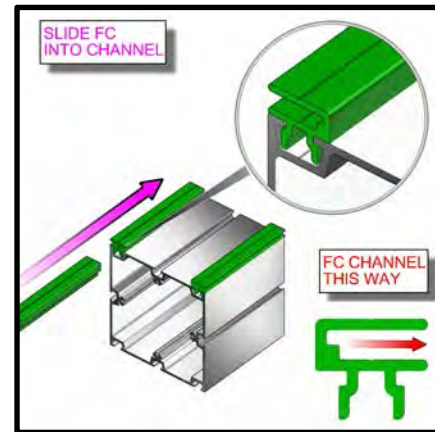
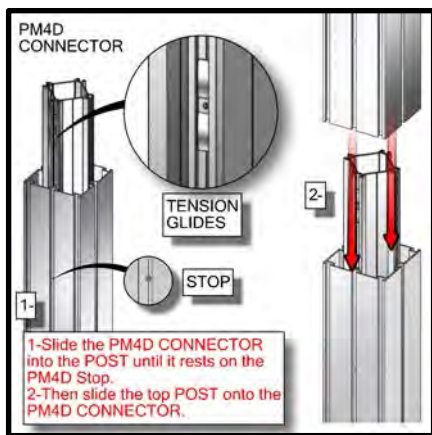
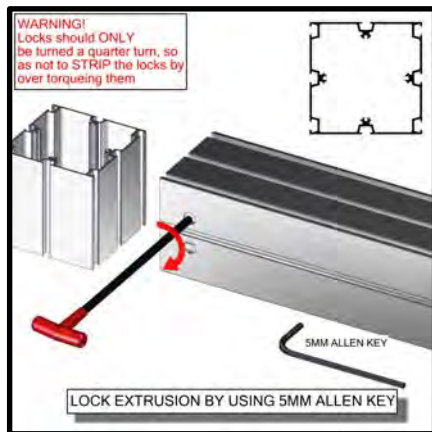


HYBRID PRO RENTAL KIT

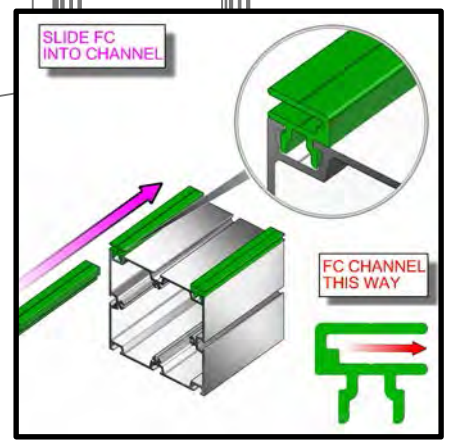
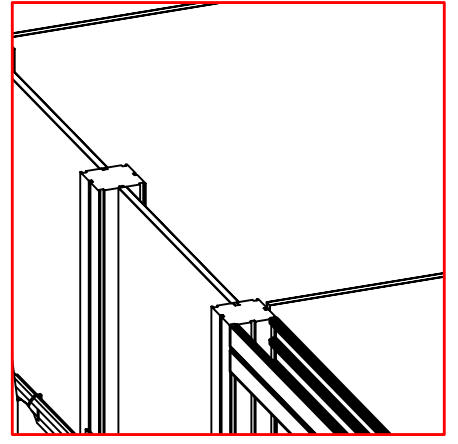
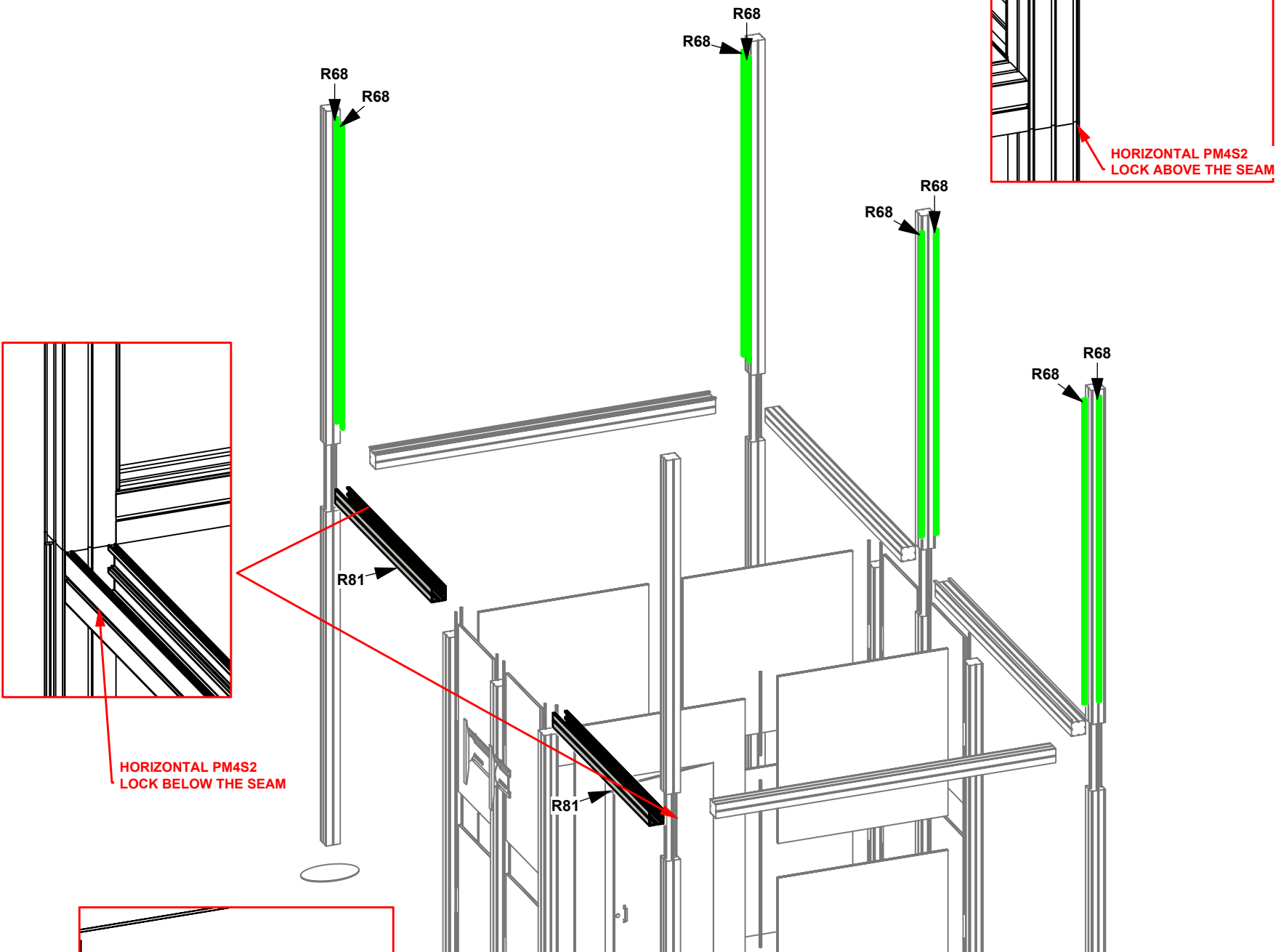
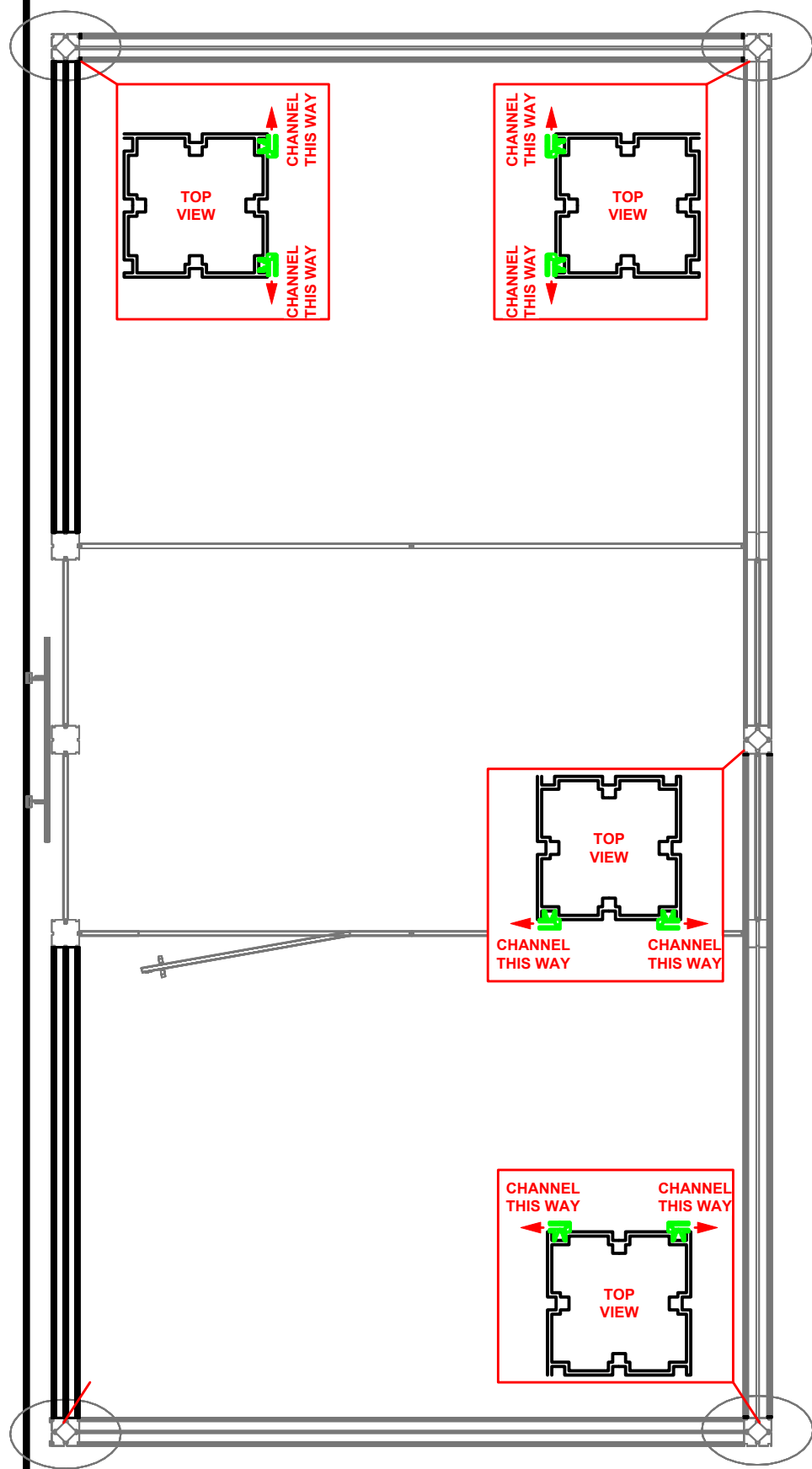
Title: SET-UP INSTRUCTIONS



NOTE: MAKE SURE TO SLIDE FC EXTRUSION BEFORE



Code	#	Description
R81	2	1700MM (66.93") 100MM PM4U SQUARE EXTRUSION WITH LOCKS 2 ENDS
R68	8	2186MM (86.06") FABRIC CONNECTION EXTRUSION

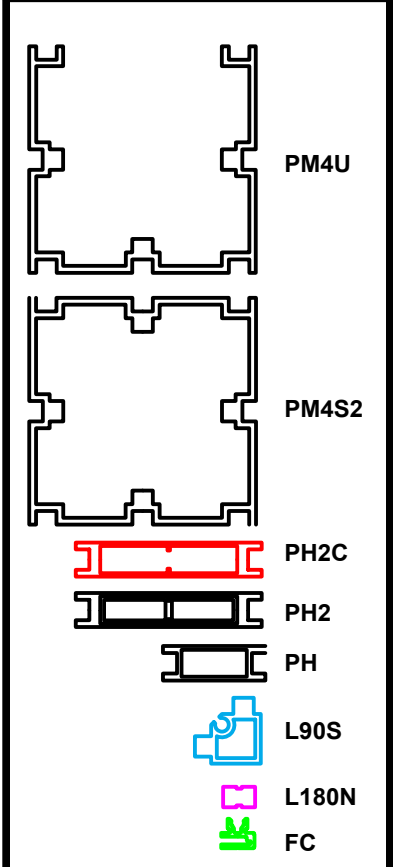


1. Redesign of this exhibit without approval by manufacturer may result in dangerous and unsafe structures. Manufacturer disclaims any responsibility for redesigned exhibits it does not approve in writing.

2. Parts and components such as panels and extrusions are manufactured to metric sizing. Where ever possible sizes have been noted in feet and inches as well as in metric. Below is the imperial to metric sizing table as reference. "Nominal" refers to approximate size.

2400mm = (94 1/2")	Phone Line / Fax
2100mm = (82 5/8")	Internet connection
1800mm = (70 7/8")	Outlet
1500mm = (59")	Main Drop (point of distrution)
1200mm = (47 1/4")	
900mm = (35 1/2")	
600mm = (23 5/8")	
300mm = (11 7/8")	

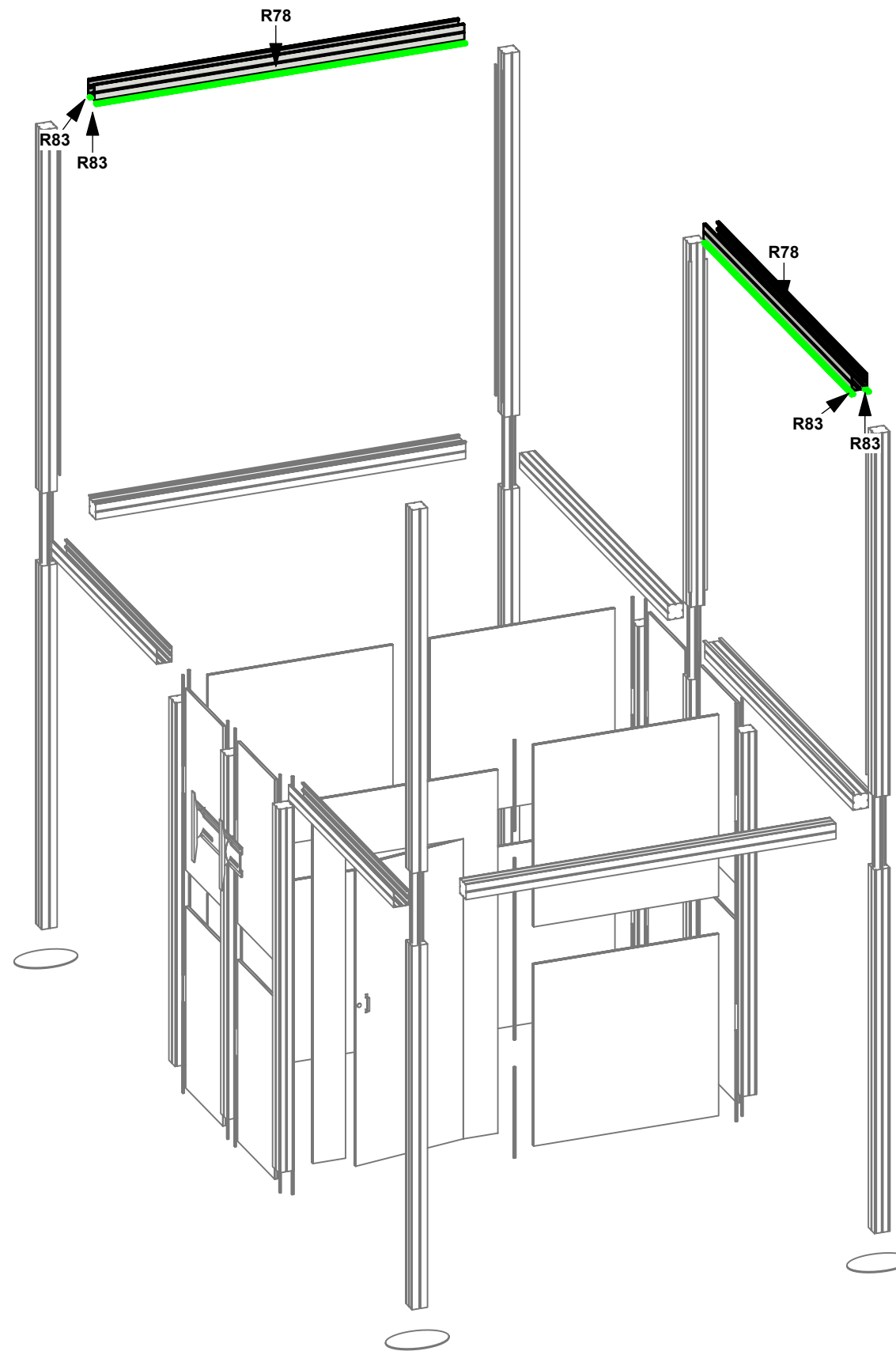
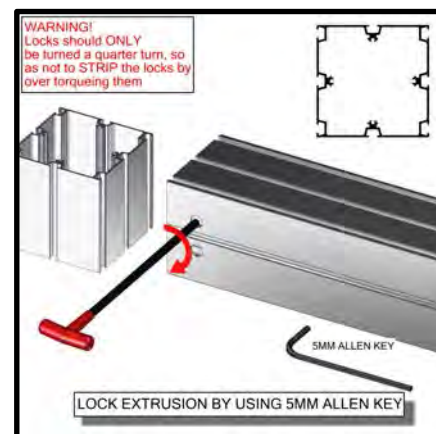
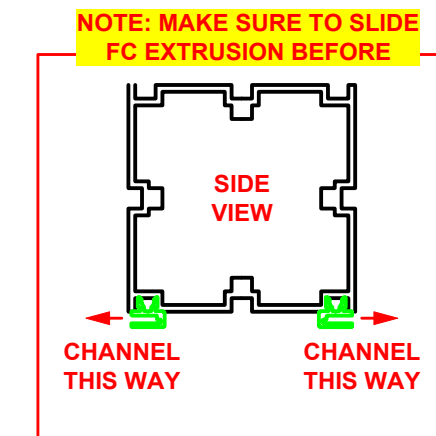
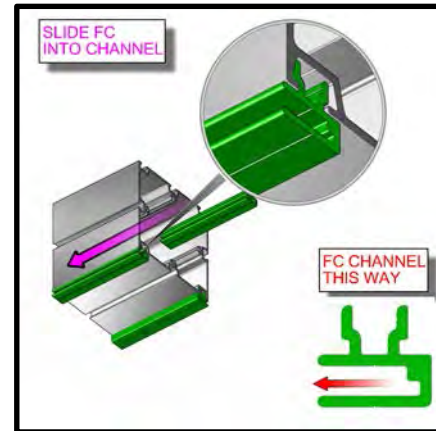
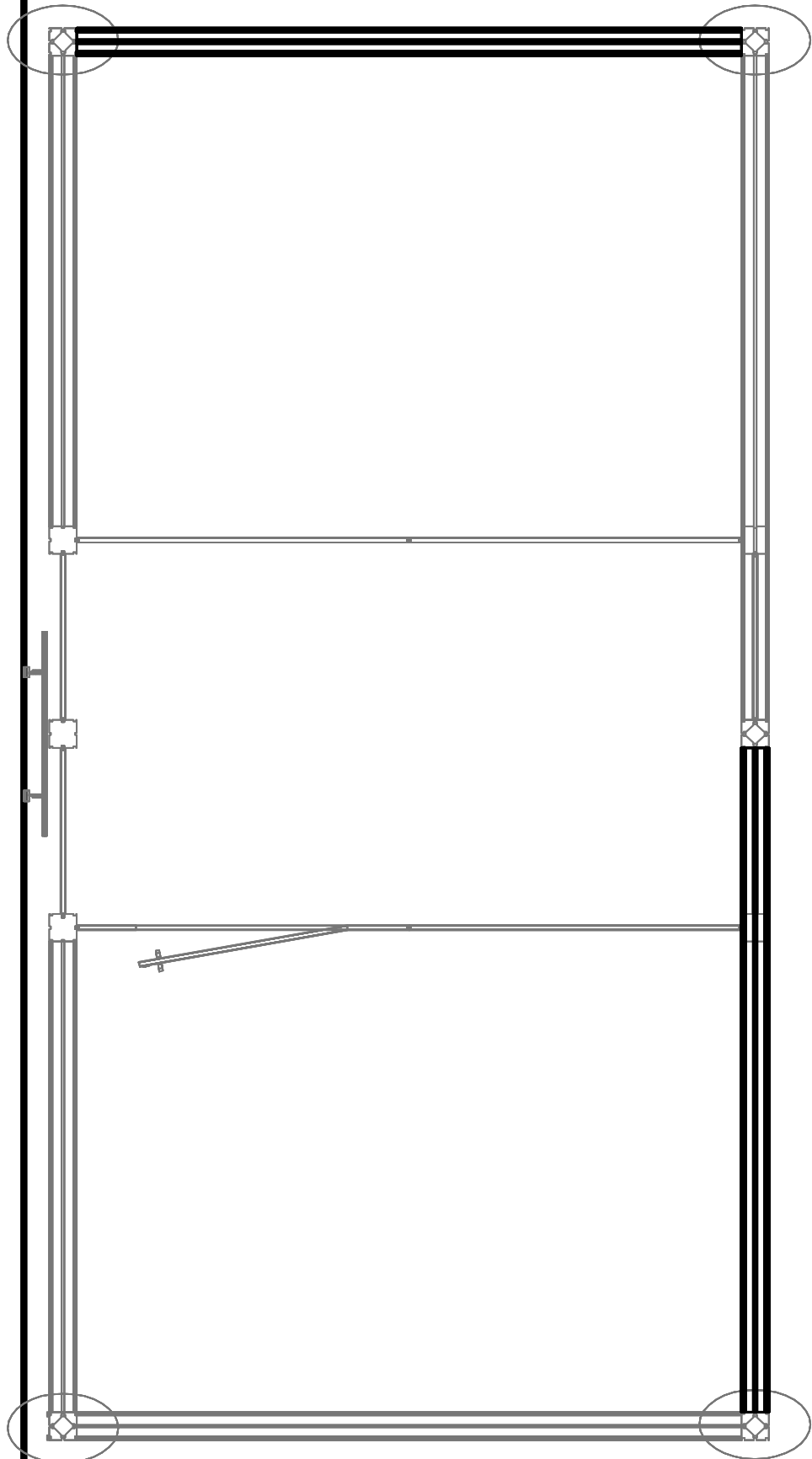
--- Wire running under carpet ---



HYBRID PRO RENTAL KIT

Title: SET-UP INSTRUCTIONS

Code	#	Description
R78	2	2400MM (94.49") 100MM PM4U SQUARE EXTRUSION WITH LOCKS 2 ENDS
R83	4	2400MM (94.49") FABRIC CONNECTION EXTRUSION

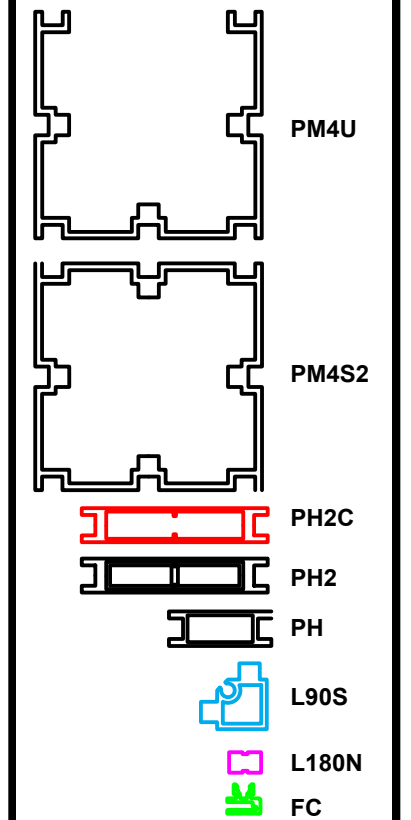


1. Redesign of this exhibit without approval by manufacturer may result in dangerous and unsafe structures. Manufacturer disclaims any responsibility for redesigned exhibits it does not approve in writing.

2. Parts and components such as panels and extrusions are manufactured to metric sizing. Where ever possible sizes have been noted in feet and inches as well as in metric. Below is the imperial to metric sizing table as reference. "Nominal" refers to approximate size.

2400mm = (94 1/2")	Phone Line / Fax
2100mm = (82 5/8")	Internet connection
1800mm = (70 7/8")	Outlet
1500mm = (59")	Main Drop (point of distrution)
1200mm = (47 1/4")	
900mm = (35 1/2")	
600mm = (23 5/8")	
300mm = (11 7/8")	

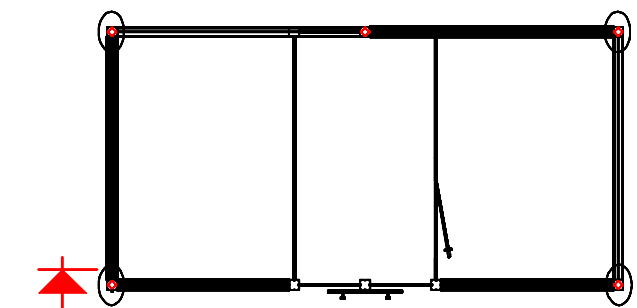
--- Wire running under carpet



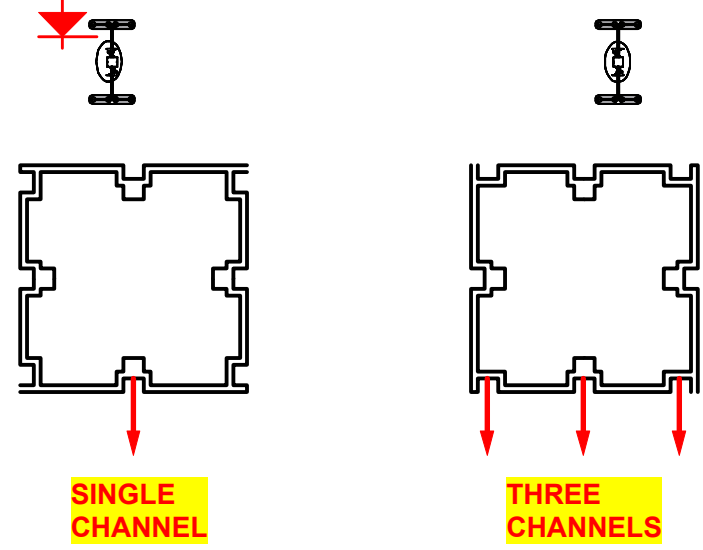
HYBRID PRO RENTAL KIT

Title: SET-UP INSTRUCTIONS

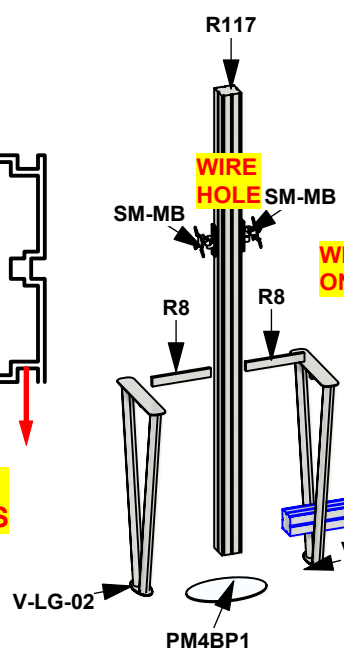
Code	#	Description
R8	4	300MM (11 13/16") PH WITH SLIDE LOCK AT BOTH ENDS
V-LG-02	4	1005MM X 450MM (39 9/16 " X 17 23/32") V LEG 50MM CHANNEL TUBE
PM4BP1	2	15 3/4" X 9 7/8" ALUMINUM BASE PLATE
R116	1	2400MM PM4S2 WITH SET SCREW AT 305MM BOTH ENDS WIRE HOLE @ 66" [ON CENTER] THREE CHANNELS
R117	1	2400MM PM4S2 WITH SET SCREW AT 305MM BOTH ENDS WIRE HOLE @ 66" [ON CENTER] ONE CHANNEL SIDE
EXT-SM-MB	4	SF203-S1 MONITOR BRACKET (23"-42" at 40 lbs. max.)



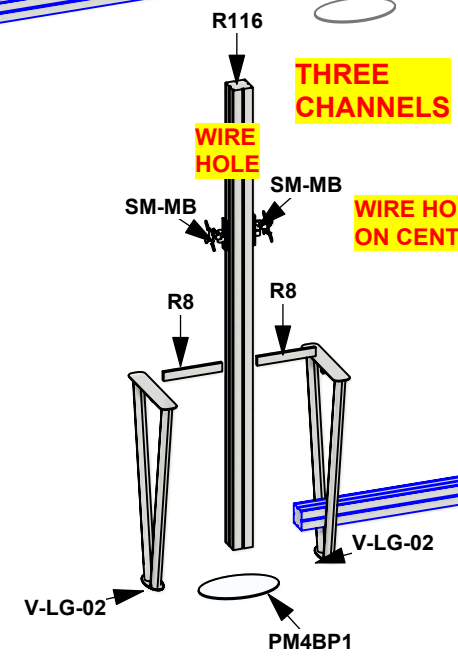
7'-10 1/2"
[2400mm]



SINGLE CHANNEL



THREE CHANNELS



EXT-SM-MB

1- INSERT BOLTS INTO MIDDLE CHANNEL. THEN SECURE MONITOR MOUNT WITH WING NUTS.

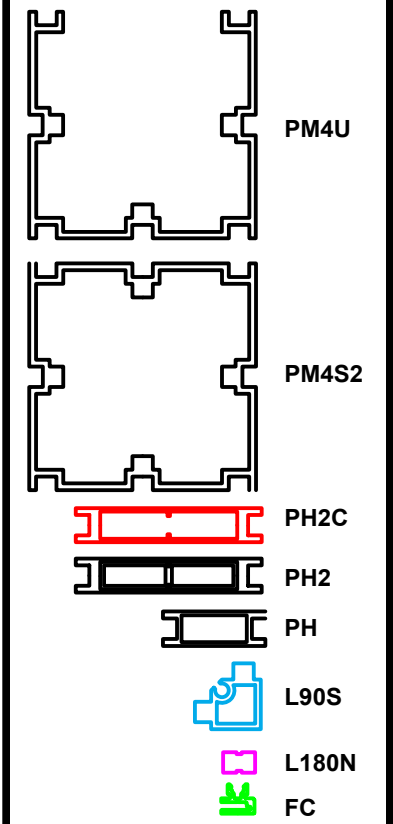
2- ATTACH MONITOR TO BRACKETS SEE SANUS MANUAL FOR MORE INFO

1. Redesign of this exhibit without approval by manufacturer may result in dangerous and unsafe structures. Manufacturer disclaims any responsibility for redesigned exhibits it does not approve in writing.

2. Parts and components such as panels and extrusions are manufactured to metric sizing. Where ever possible sizes have been noted in feet and inches as well as in metric. Below is the imperial to metric sizing table as reference. "Nominal" refers to approximate size.

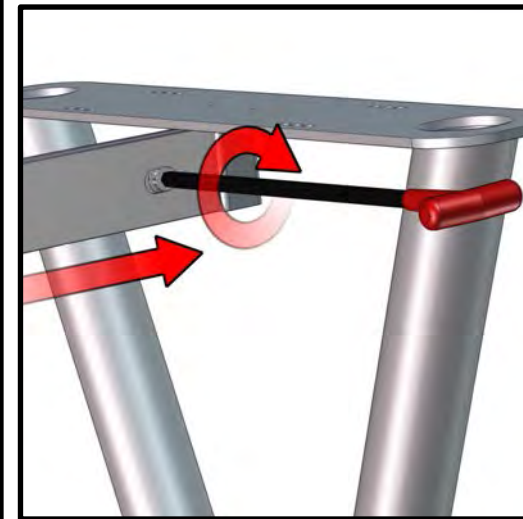
2400mm = (94 1/2")	Phone Line / Fax
2100mm = (82 5/8")	Internet connection
1800mm = (70 7/8")	Outlet
1500mm = (59")	Main Drop (point of distrution)
1200mm = (47 1/4")	
900mm = (35 1/2")	
600mm = (23 5/8")	
300mm = (11 7/8")	

--- Wire running under carpet



PLACE PM4S2-2400 [94 1/2"] FOR REFERENCE ONLY

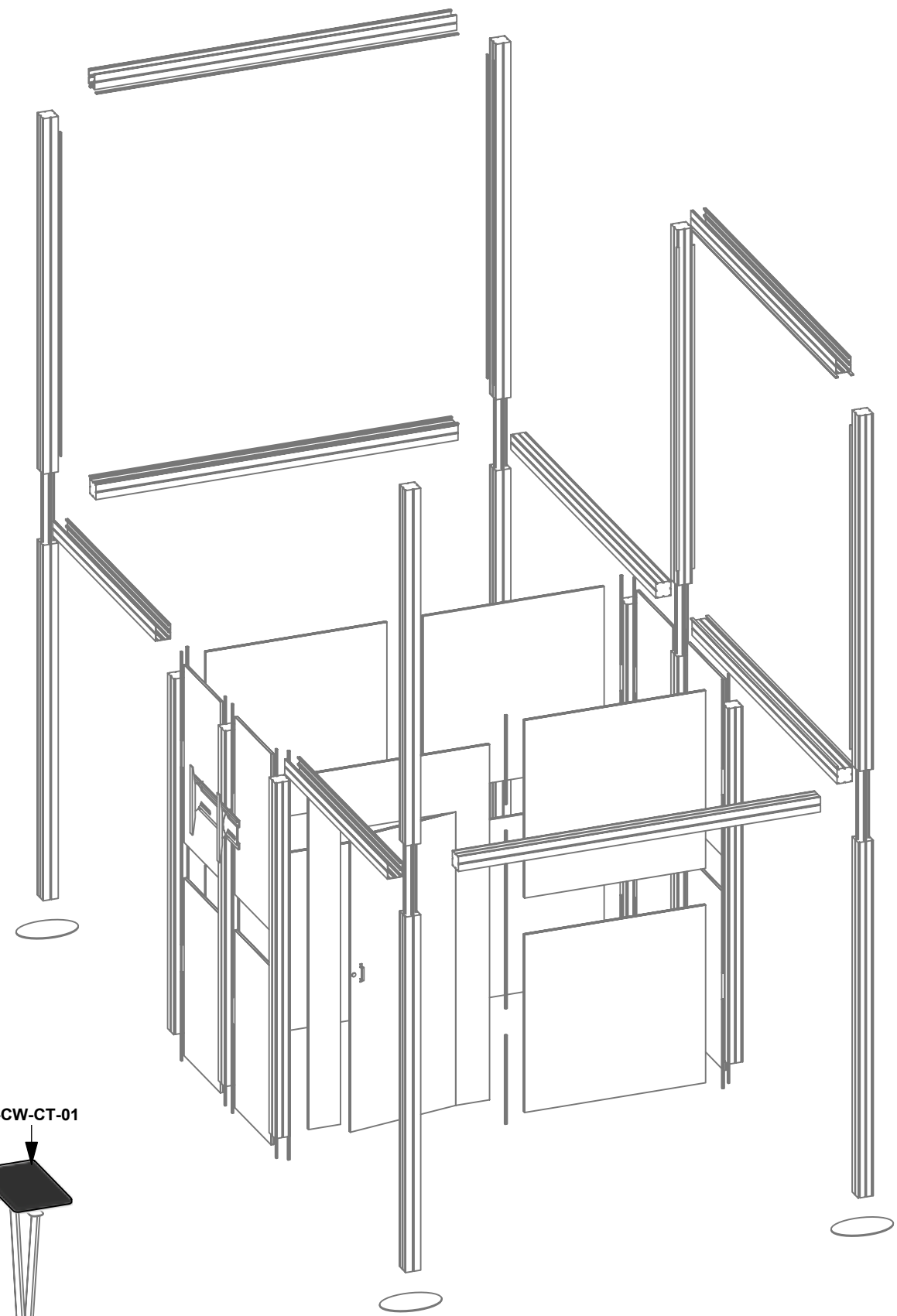
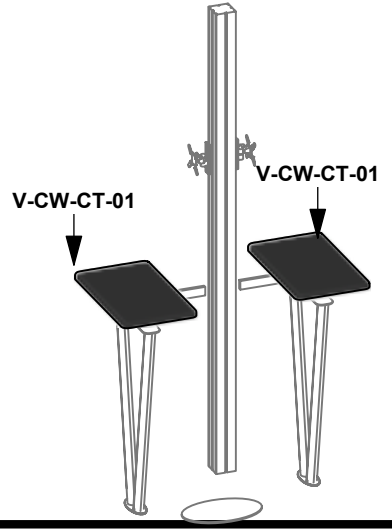
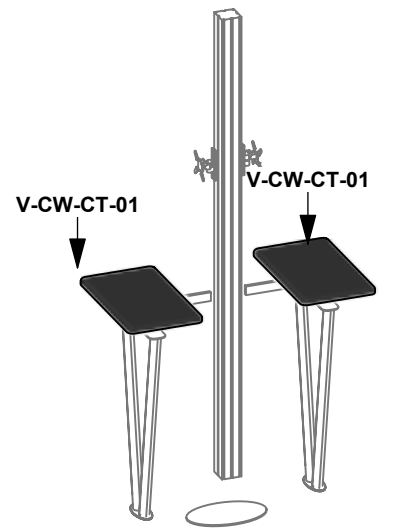
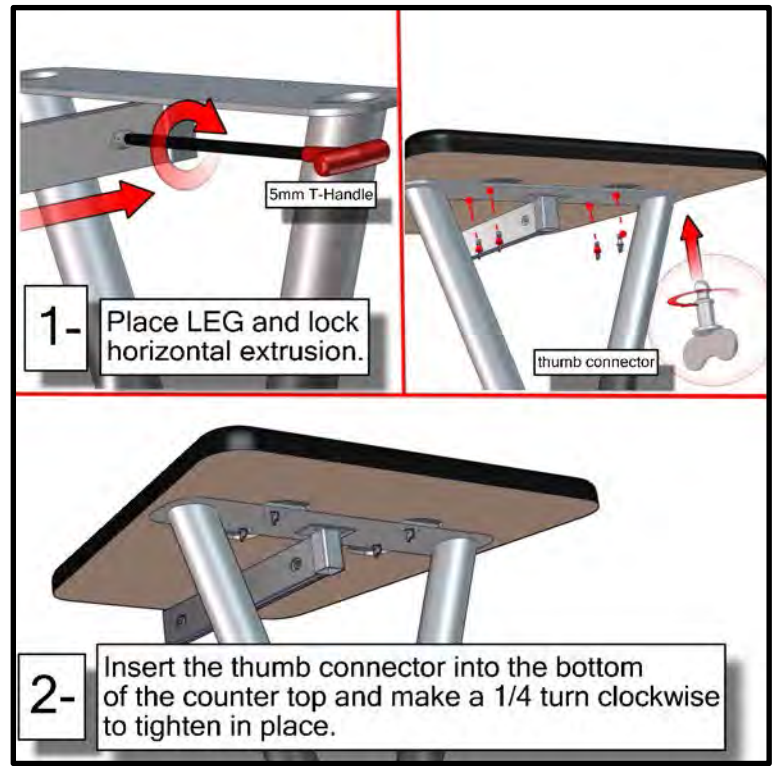
PLACE PM4S2-2400 [94 1/2"] FOR REFERENCE ONLY



HYBRID PRO RENTAL KIT

Title: SET-UP INSTRUCTIONS

Code	#	Description
V-CW-CT-01	4	384MM X 646MM (15 1/8" X 25 7/16") HYBRID RECTANGLE TOP

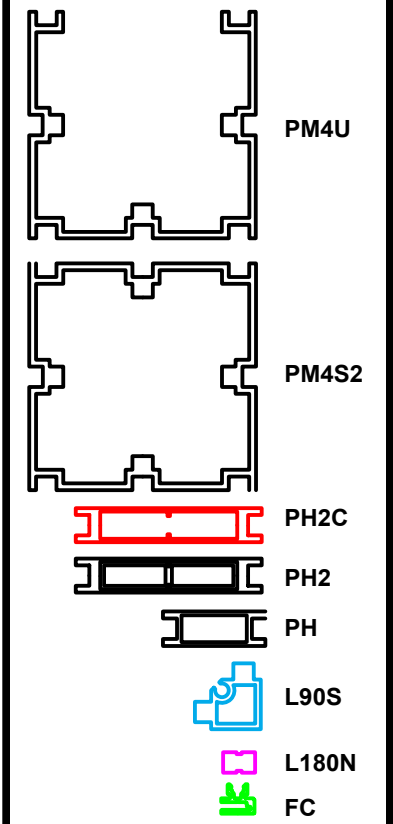


1. Redesign of this exhibit without approval by manufacturer may result in dangerous and unsafe structures. Manufacturer disclaims any responsibility for redesigned exhibits it does not approve in writing.

2. Parts and components such as panels and extrusions are manufactured to metric sizing. Where ever possible sizes have been noted in feet and inches as well as in metric. Below is the imperial to metric sizing table as reference. *Nominal" refers to approximate size.

2400mm = (94 1/2")	Phone Line / Fax
2100mm = (82 5/8")	Internet connection
1800mm = (70 7/8")	Outlet
1500mm = (59")	Main Drop (point of distrution)
1200mm = (47 1/4")	
900mm = (35 1/2")	
600mm = (23 5/8")	
300mm = (11 7/8")	

--- Wire running under carpet



HYBRID PRO RENTAL KIT

Title: SET-UP INSTRUCTIONS

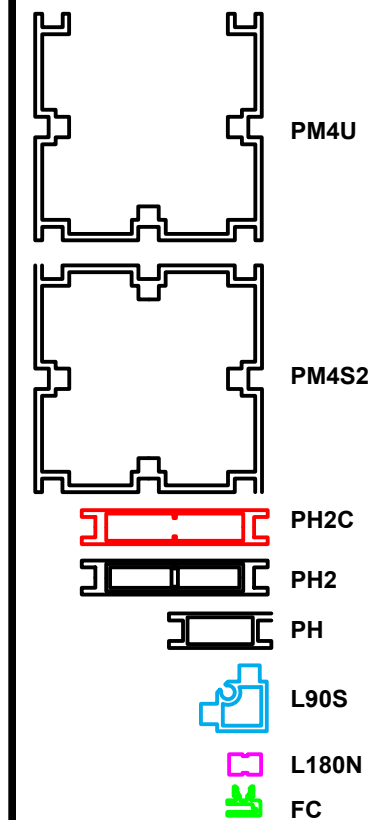
Code	#	Description
R77	2	2400MM (94.49") 100MM PM4S2 SQUARE EXTRUSION WITH LOCKS 2 ENDS
R75	2	2400MM (94.49") 100MM PM4S2 SQUARE EXTRUSION WITH STOPS AT 305MM E
R68	4	2186MM (86.06") FABRIC CONNECTION EXTRUSION
R83	2	2400MM (94.49") FABRIC CONNECTION EXTRUSION
R13	2	600MM (23.62") PM4D CONNECTOR WITH TENSION GLIDES

1. Redesign of this exhibit without approval by manufacturer may result in dangerous and unsafe structures. Manufacturer disclaims any responsibility for redesigned exhibits it does not approve in writing.

2. Parts and components such as panels and extrusions are manufactured to metric sizing. Where ever possible sizes have been noted in feet and inches as well as in metric. Below is the imperial to metric sizing table as reference. "Nominal" refers to approximate size.

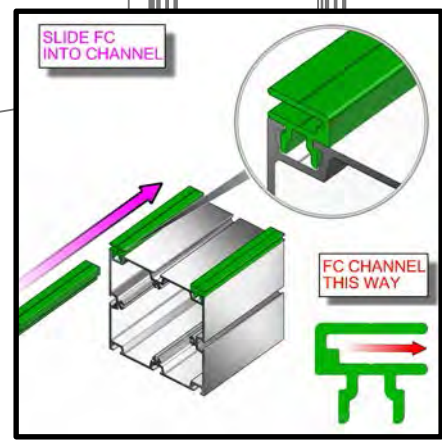
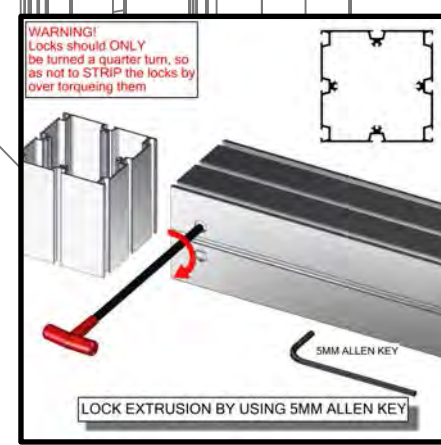
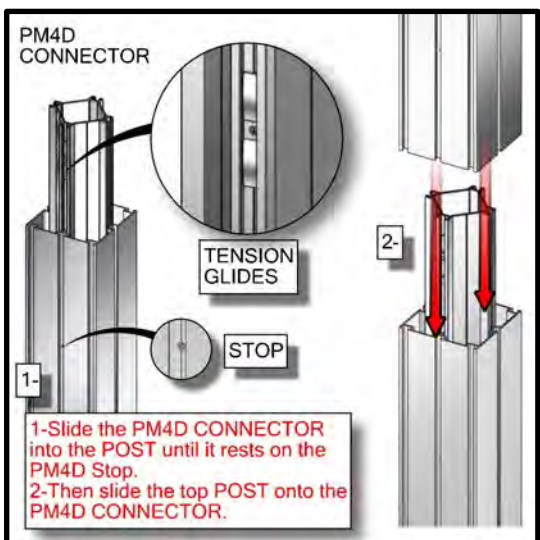
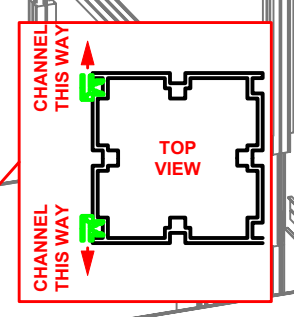
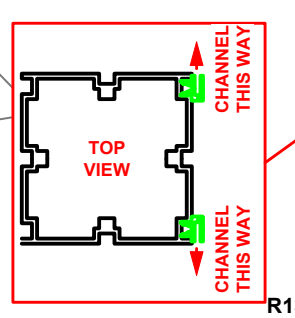
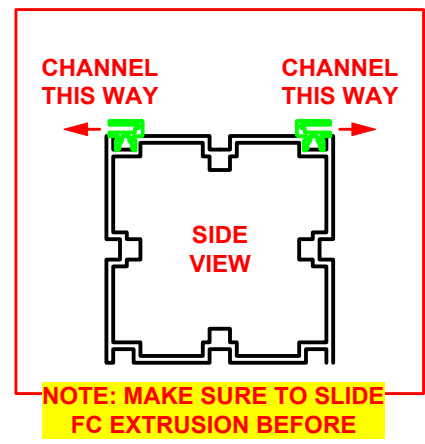
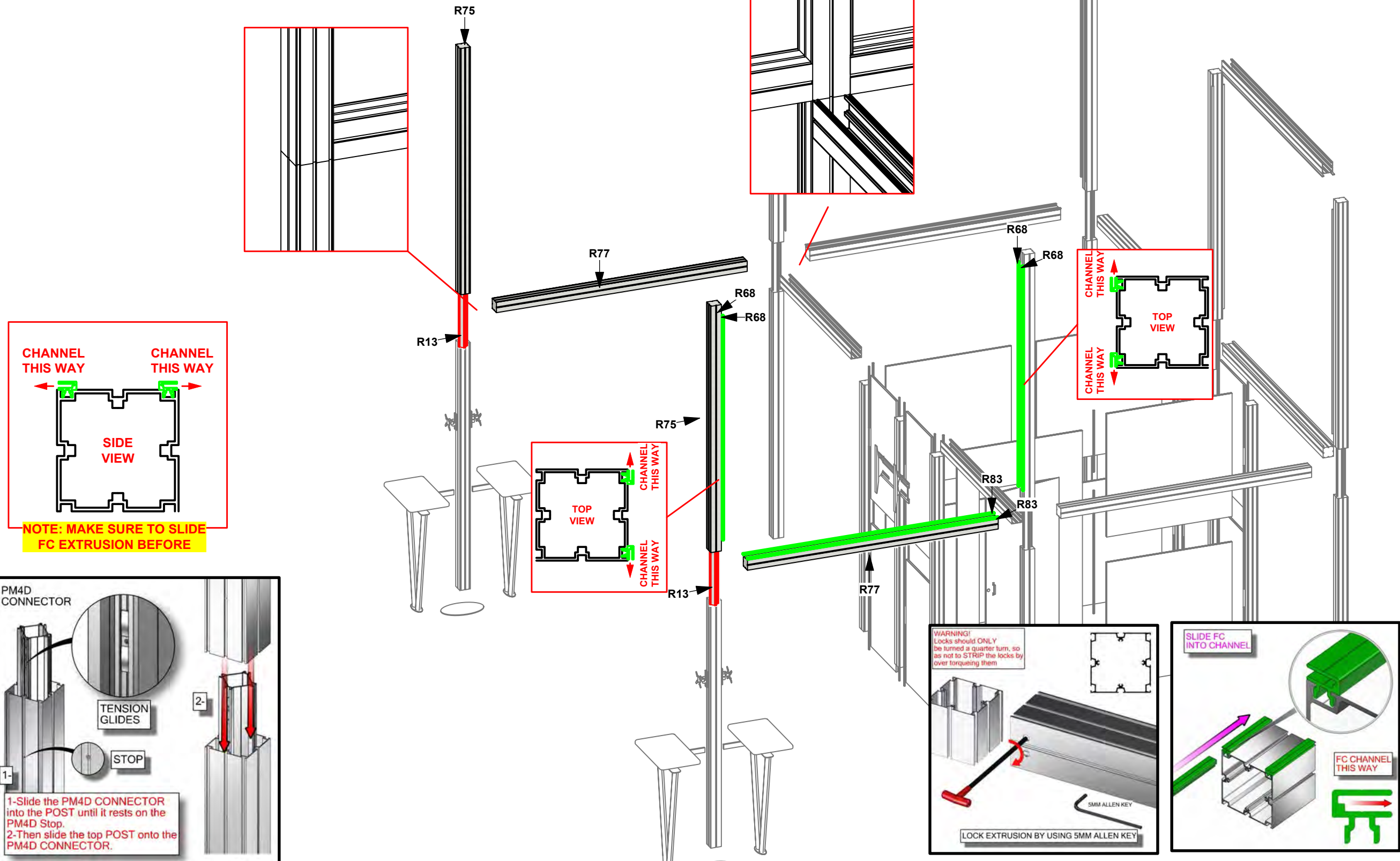
2400mm = (94 1/2")	Phone Line / Fax
2100mm = (82 5/8")	Internet connection
1800mm = (70 7/8")	Outlet
1500mm = (59")	Main Drop (point of distrution)
1200mm = (47 1/4")	
900mm = (35 1/2")	
600mm = (23 5/8")	
300mm = (11 7/8")	

--- Wire running under carpet



HYBRID PRO RENTAL KIT

Title: SET-UP INSTRUCTIONS



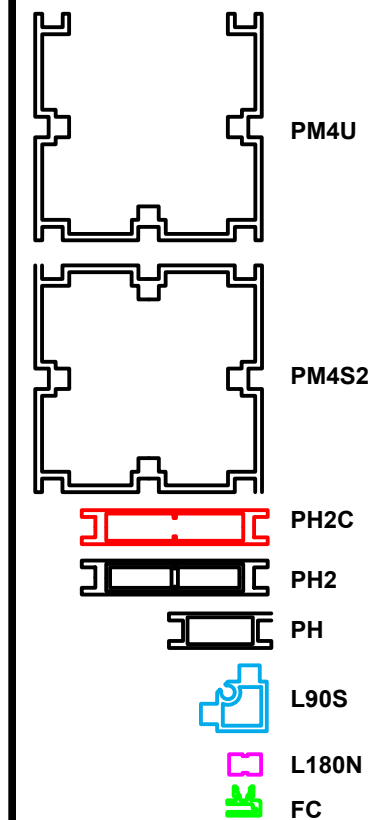
Code	#	Description
PM4BP1	1	15 3/4" X 9 7/8" ALUMINUM BASE PLATE
R77	2	2400MM (94.49") 100MM PM4S2 SQUARE EXTRUSION WITH LOCKS 2 ENDS
R68	4	2186MM (86.06") FABRIC CONNECTION EXTRUSION
R83	2	2400MM (94.49") FABRIC CONNECTION EXTRUSION
R75	2	2400MM (94.49") 100MM PM4S2 SQUARE EXTRUSION WITH STOPS AT 305MM
R13	1	600MM (23.62") PM4D CONNECTOR WITH TENSION GLIDES

1. Redesign of this exhibit without approval by manufacturer may result in dangerous and unsafe structures. Manufacturer disclaims any responsibility for redesigned exhibits it does not approve in writing.

2. Parts and components such as panels and extrusions are manufactured to metric sizing. Where ever possible sizes have been noted in feet and inches as well as in metric. Below is the imperial to metric sizing table as reference. "Nominal" refers to approximate size.

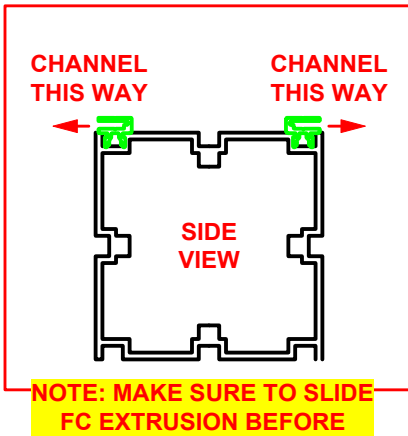
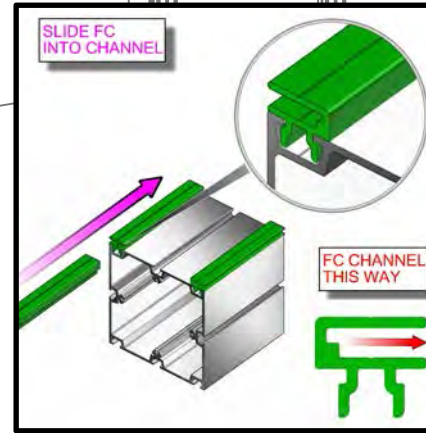
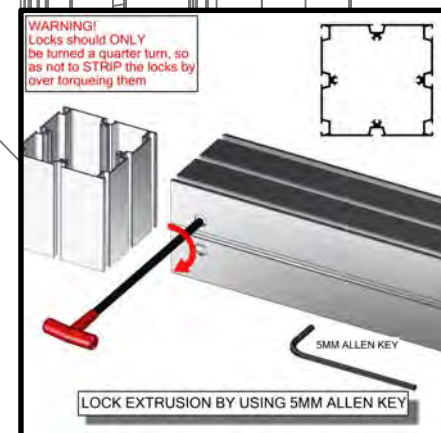
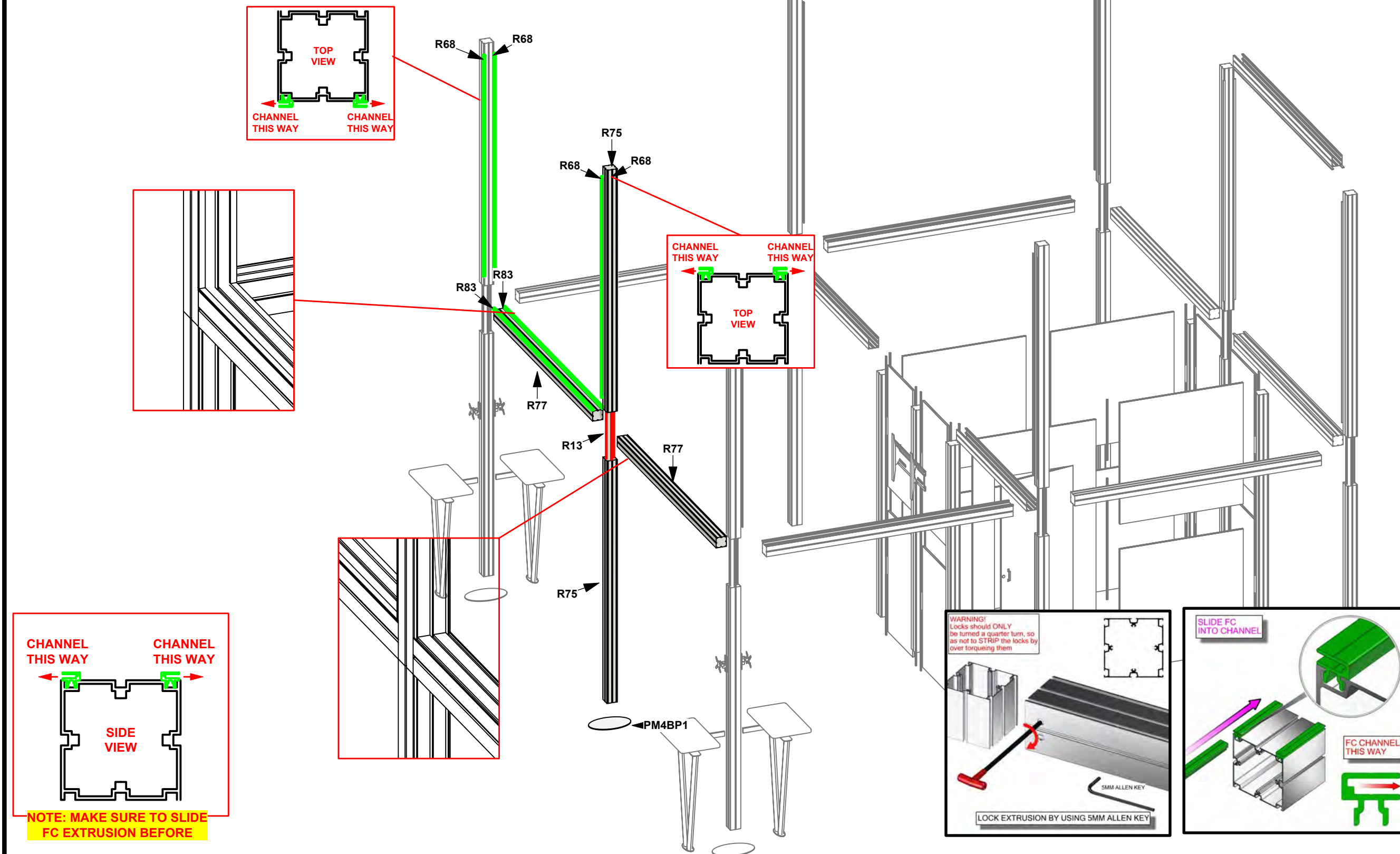
2400mm = (94 1/2")	Phone Line / Fax
2100mm = (82 5/8")	Internet connection
1800mm = (70 7/8")	Outlet
1500mm = (59")	Main Drop (point of distrution)
1200mm = (47 1/4")	
900mm = (35 1/2")	
600mm = (23 5/8")	
300mm = (11 7/8")	

--- Wire running under carpet

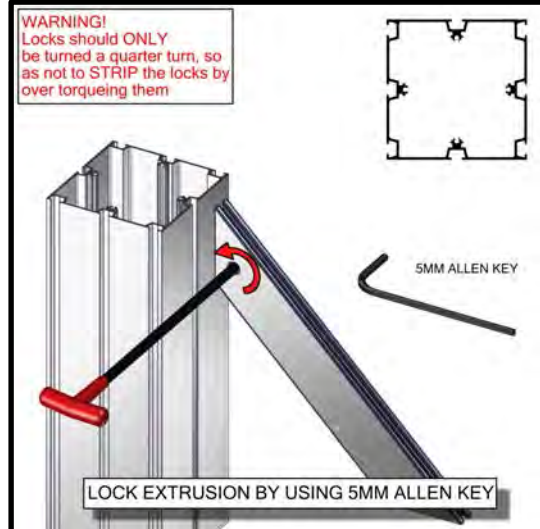
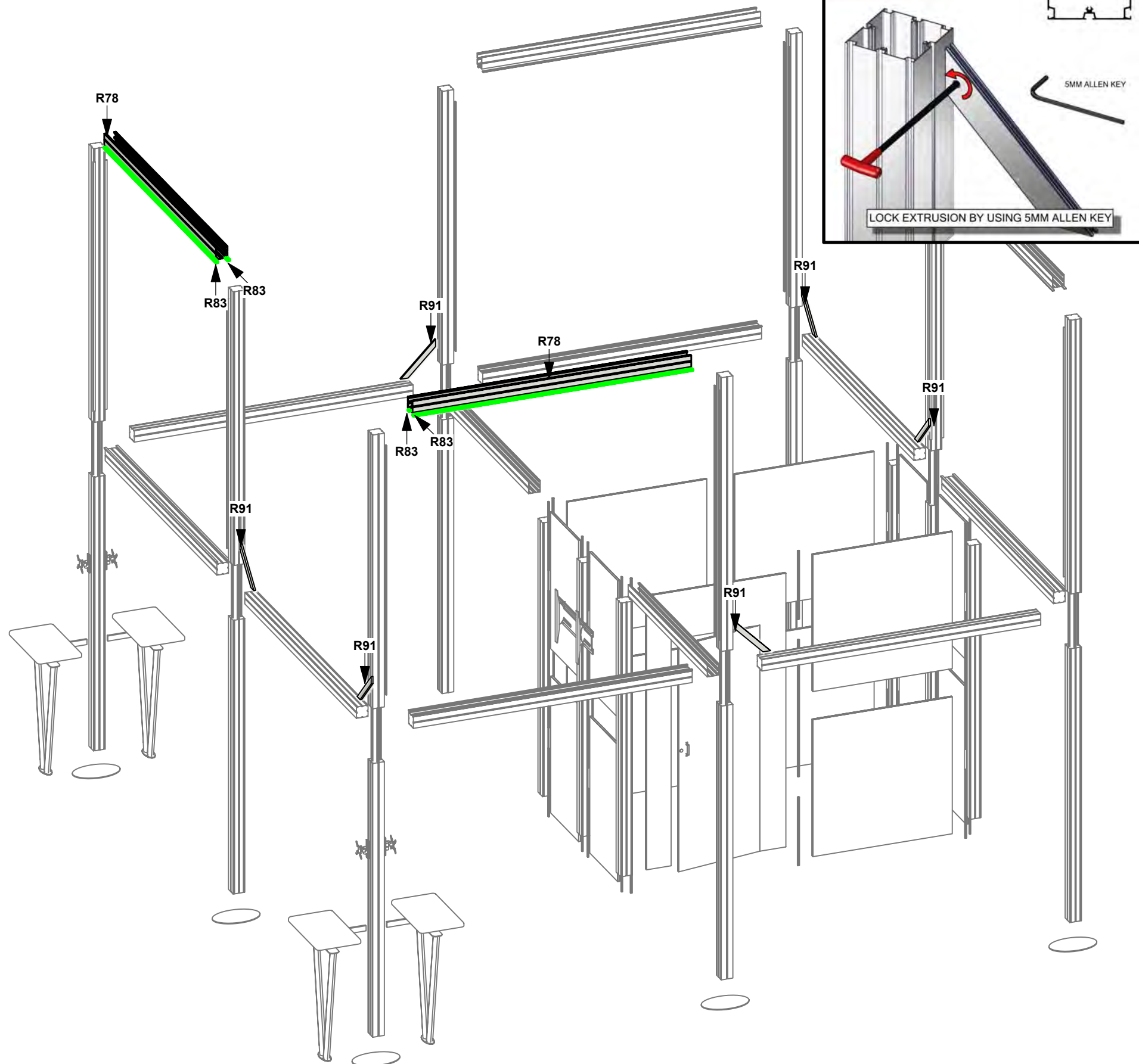
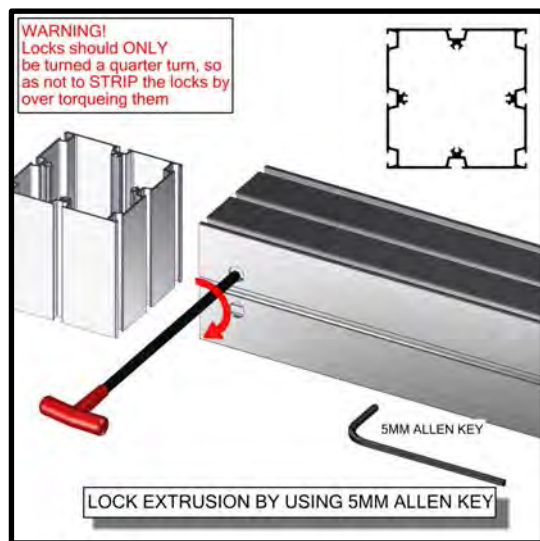
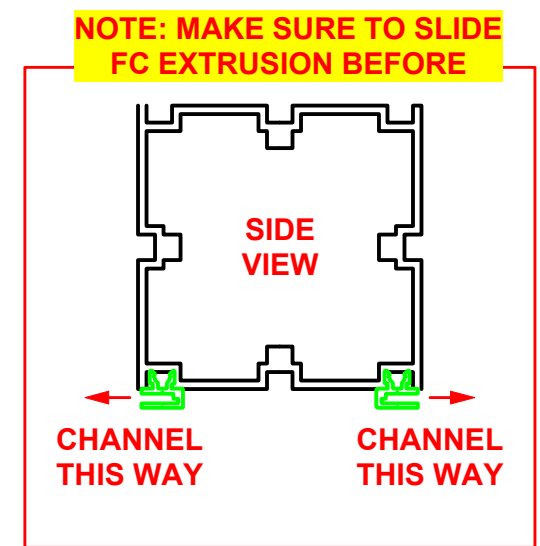
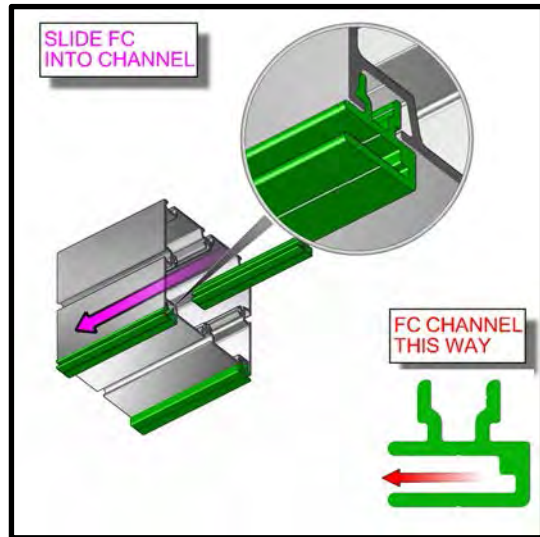


HYBRID PRO RENTAL KIT

Title: SET-UP INSTRUCTIONS



Code	#	Description
R78	2	2400MM (94.49") 100MM PM4U SQUARE EXTRUSION WITH LOCKS 2 ENDS
R91	5	300MM PH SILVER EXTRUSION WITH MITER CUTS & 45 DEGREE LOCKS B
R83	4	2400MM (94.49") FABRIC CONNECTION EXTRUSION

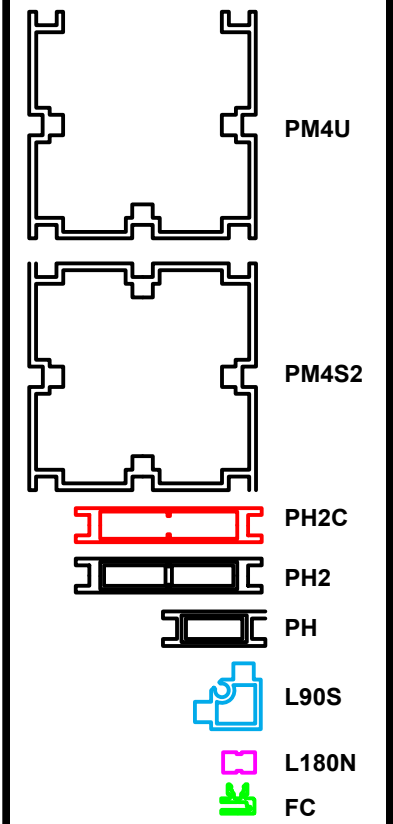


1. Redesign of this exhibit without approval by manufacturer may result in dangerous and unsafe structures. Manufacturer disclaims any responsibility for redesigned exhibits it does not approve in writing.

2. Parts and components such as panels and extrusions are manufactured to metric sizing. Where ever possible sizes have been noted in feet and inches as well as in metric. Below is the imperial to metric sizing table as reference. *Nominal" refers to approximate size.

2400mm = (94 1/2")	Phone Line / Fax
2100mm = (82 5/8")	Internet connection
1800mm = (70 7/8")	Outlet
1500mm = (59")	Main Drop (point of distrution)
1200mm = (47 1/4")	
900mm = (35 1/2")	
600mm = (23 5/8")	
300mm = (11 7/8")	

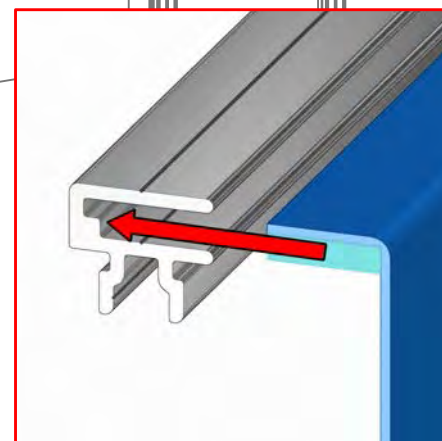
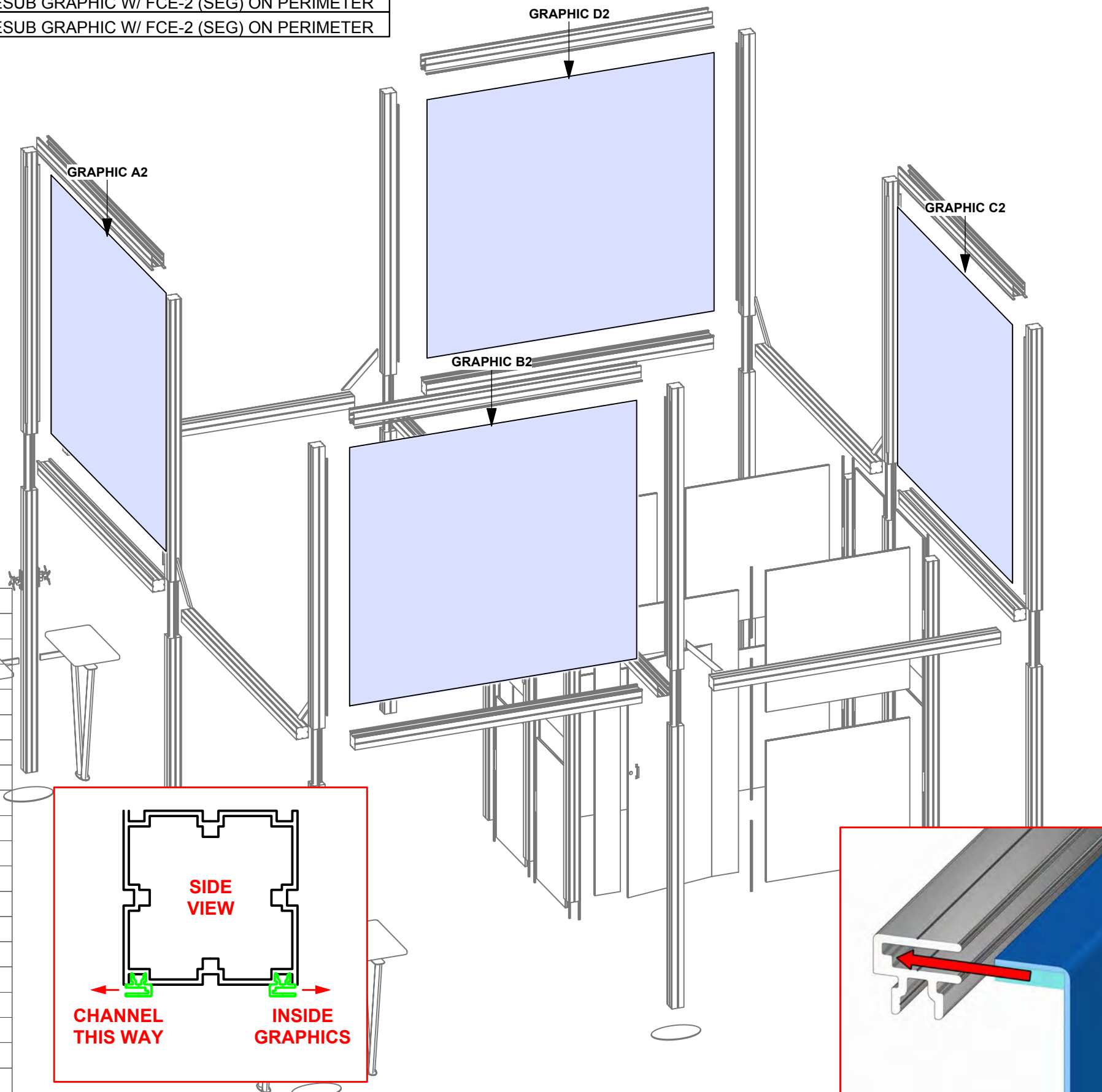
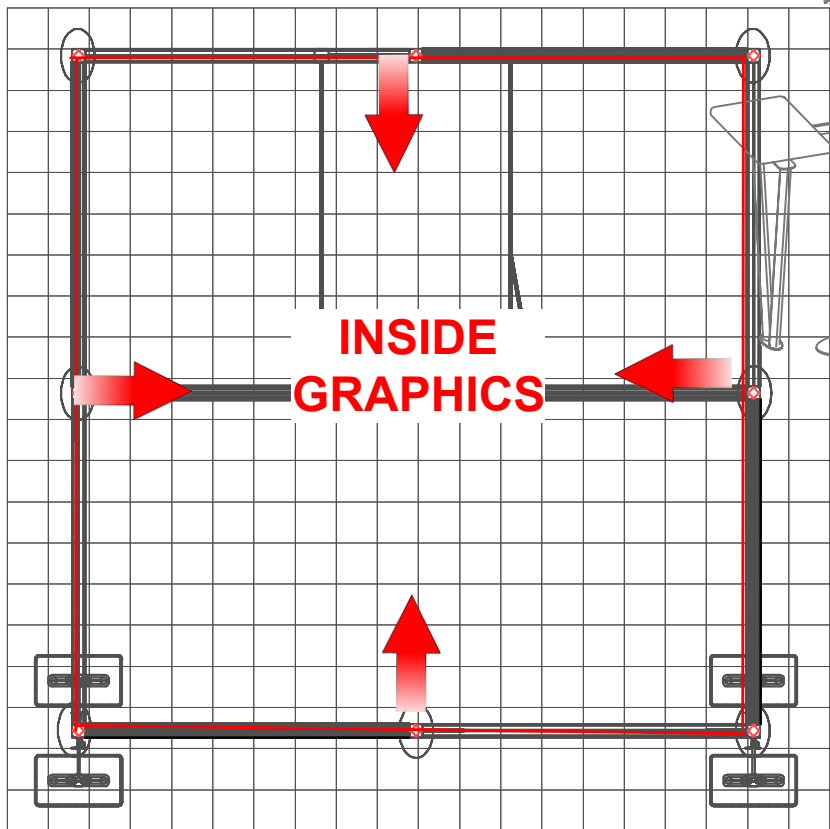
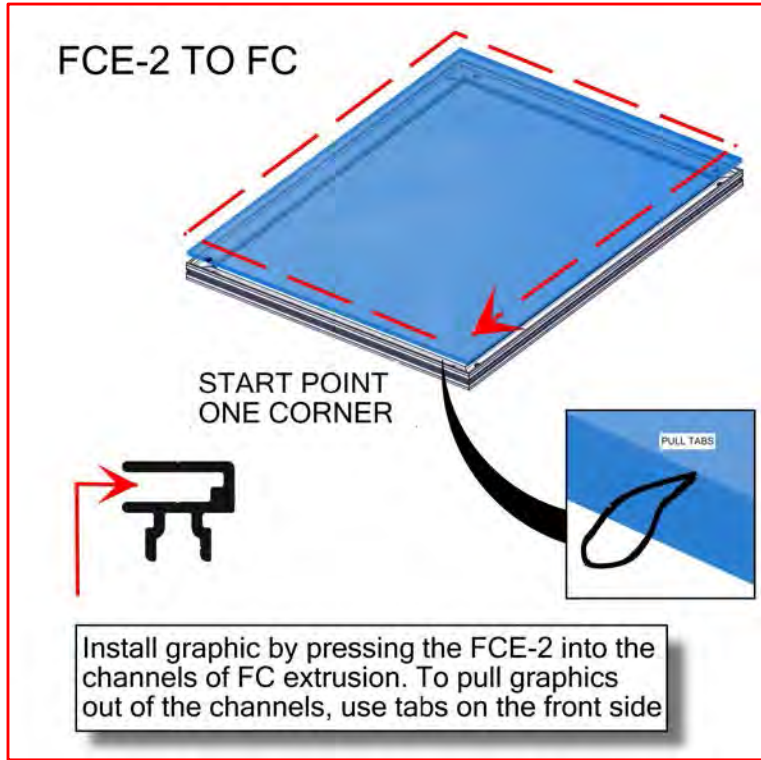
--- Wire running under carpet



HYBRID PRO RENTAL KIT

Title: SET-UP INSTRUCTIONS

Code	#	Description
GRAPHIC C2	1	86 5/8" (H) X 94 1/2" (W) SINGLE SIDED DYESUB GRAPHIC W/ FCE-2 (SEG) ON PERIMETER
GRAPHIC D2	1	86 5/8" (H) X 94 1/2" (W) SINGLE SIDED DYESUB GRAPHIC W/ FCE-2 (SEG) ON PERIMETER
GRAPHIC A2	1	86 5/8" (H) X 94 1/2" (W) SINGLE SIDED DYESUB GRAPHIC W/ FCE-2 (SEG) ON PERIMETER
GRAPHIC B2	1	86 5/8" (H) X 94 1/2" (W) SINGLE SIDED DYESUB GRAPHIC W/ FCE-2 (SEG) ON PERIMETER

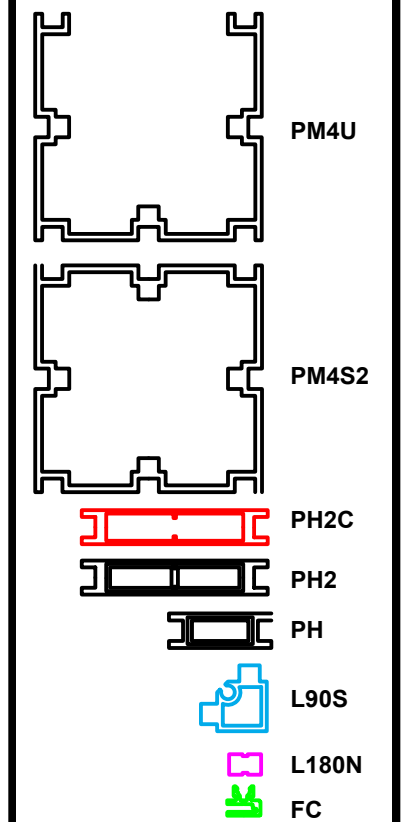


1. Redesign of this exhibit without approval by manufacturer may result in dangerous and unsafe structures. Manufacturer disclaims any responsibility for redesigned exhibits it does not approve in writing.

2. Parts and components such as panels and extrusions are manufactured to metric sizing. Where ever possible sizes have been noted in feet and inches as well as in metric. Below is the imperial to metric sizing table as reference. "Nominal" refers to approximate size.

2400mm = (94 1/2")	Phone Line / Fax
2100mm = (82 5/8")	Internet connection
1800mm = (70 7/8")	Outlet
1500mm = (59")	Main Drop (point of distrution)
1200mm = (47 1/4")	
900mm = (35 1/2")	
600mm = (23 5/8")	
300mm = (11 7/8")	

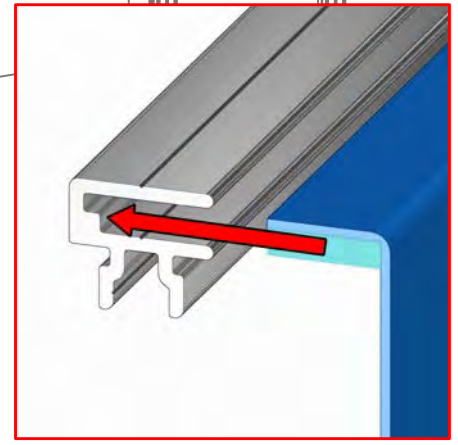
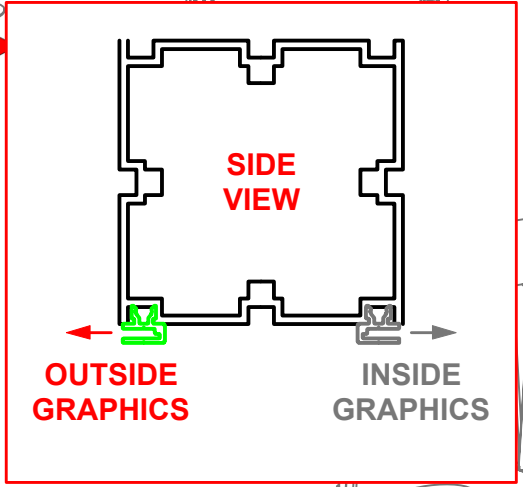
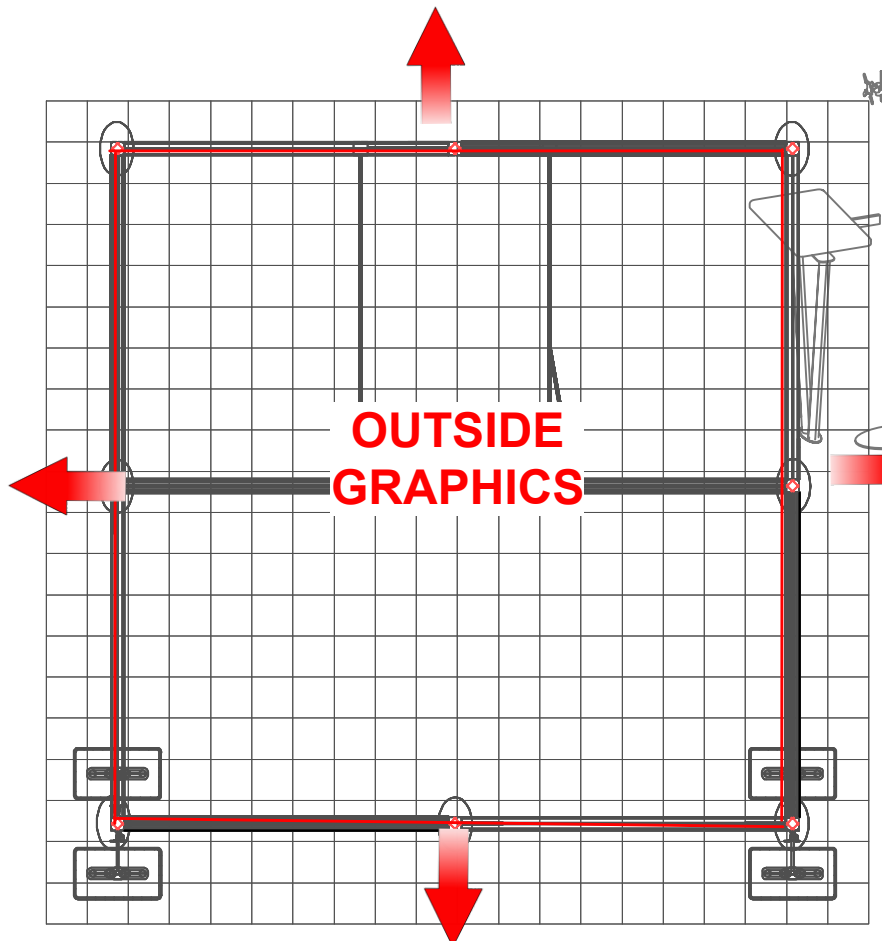
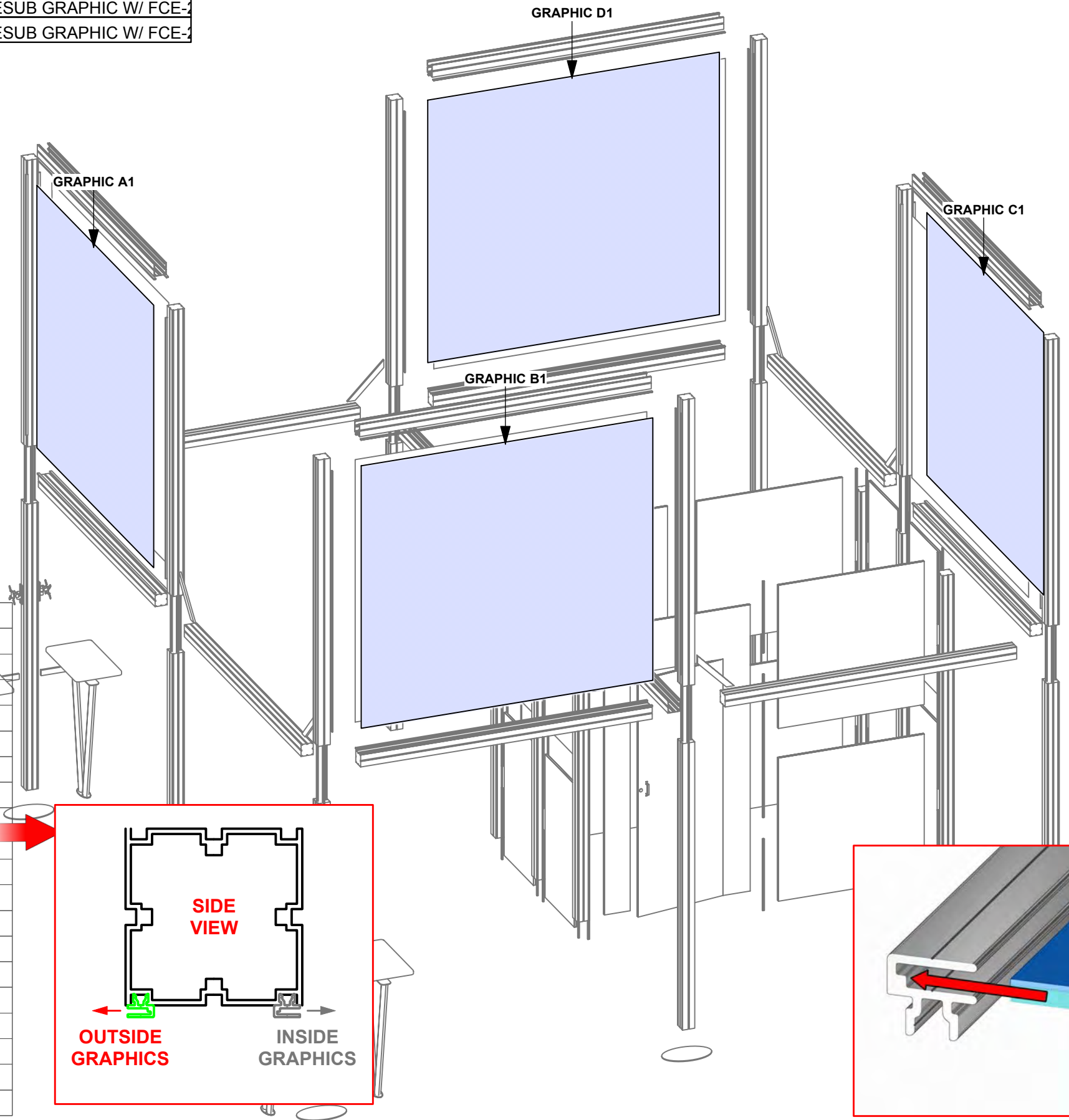
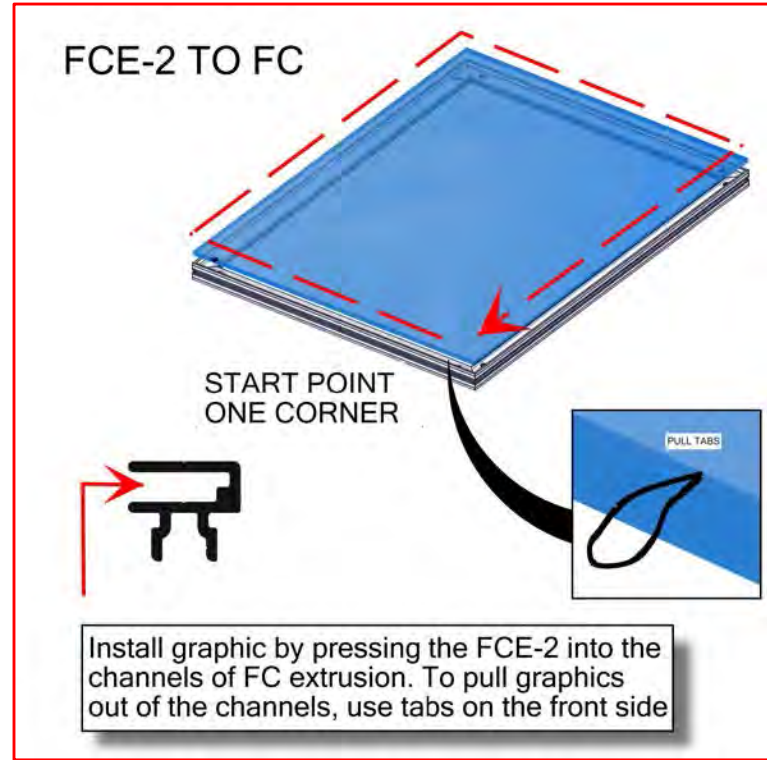
--- Wire running under carpet



HYBRID PRO RENTAL KIT

Title: SET-UP INSTRUCTIONS

Code	#	Description
GRAPHIC C1	1	86 5/8" (H) X 94 1/2" (W) SINGLE SIDED DYESUB GRAPHIC W/ FCE-2
GRAPHIC D1	1	86 5/8" (H) X 94 1/2" (W) SINGLE SIDED DYESUB GRAPHIC W/ FCE-2
GRAPHIC A1	1	86 5/8" (H) X 94 1/2" (W) SINGLE SIDED DYESUB GRAPHIC W/ FCE-2
GRAPHIC B1	1	86 5/8" (H) X 94 1/2" (W) SINGLE SIDED DYESUB GRAPHIC W/ FCE-2

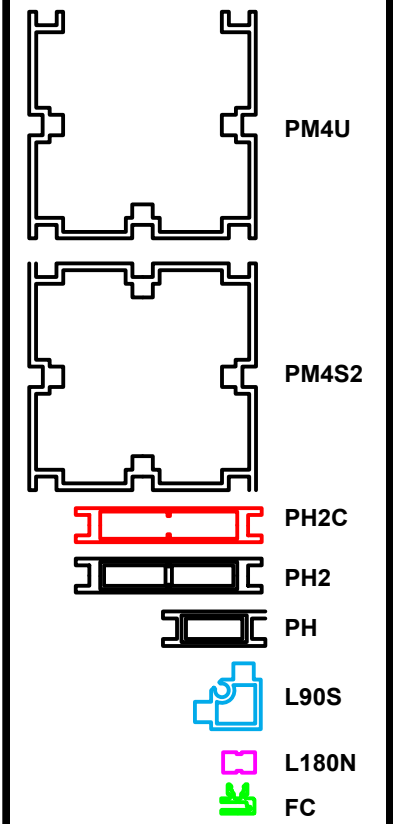


1. Redesign of this exhibit without approval by manufacturer may result in dangerous and unsafe structures. Manufacturer disclaims any responsibility for redesigned exhibits it does not approve in writing.

2. Parts and components such as panels and extrusions are manufactured to metric sizing. Where ever possible sizes have been noted in feet and inches as well as in metric. Below is the imperial to metric sizing table as reference. "Nominal" refers to approximate size.

2400mm = (94 1/2")	Phone Line / Fax
2100mm = (82 5/8")	Internet connection
1800mm = (70 7/8")	Outlet
1500mm = (59")	Main Drop (point of distrution)
1200mm = (47 1/4")	
900mm = (35 1/2")	
600mm = (23 5/8")	
300mm = (11 7/8")	

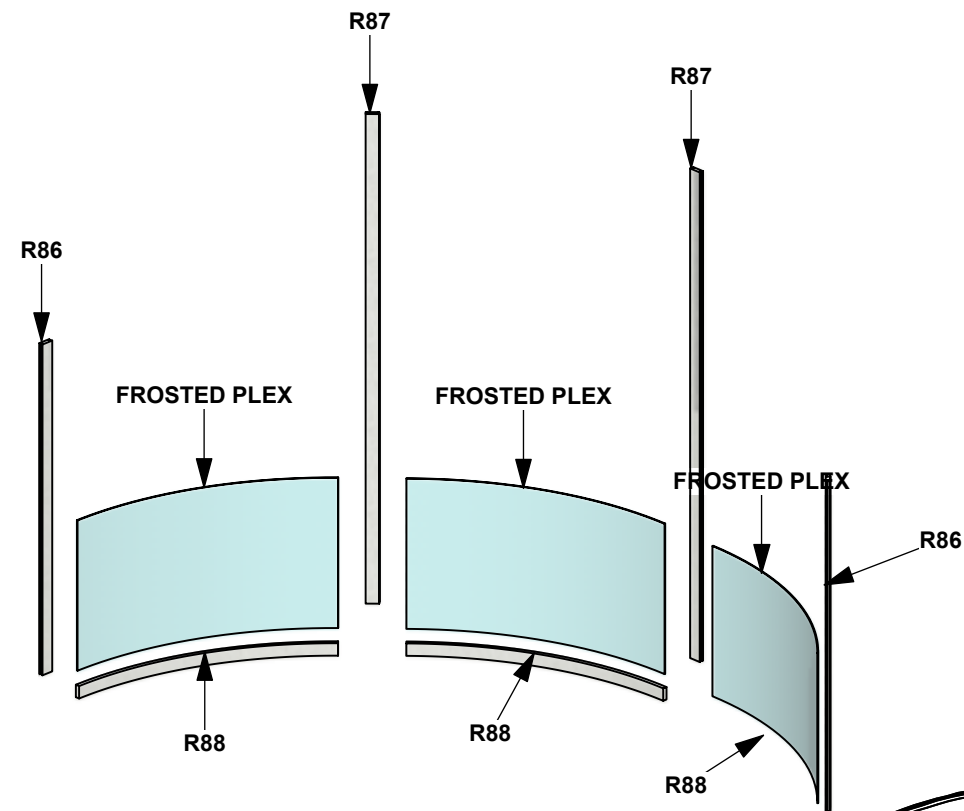
--- Wire running under carpet



HYBRID PRO RENTAL KIT

Title: SET-UP INSTRUCTIONS

Code	#	Description
R88	6	RADIUS PH-4RN PH EXTRUSION WITH LOCKS BOTH ENDS (LO
R86	4	1200MM (47.24") PH EXTRUSION
R87	4	1779MM (70.04") PH EXTRUSION
FROSTED PLE	6	545MM (V) X 965MM X 1/8" P95 SINGLE SIDED FROSTED PLEX

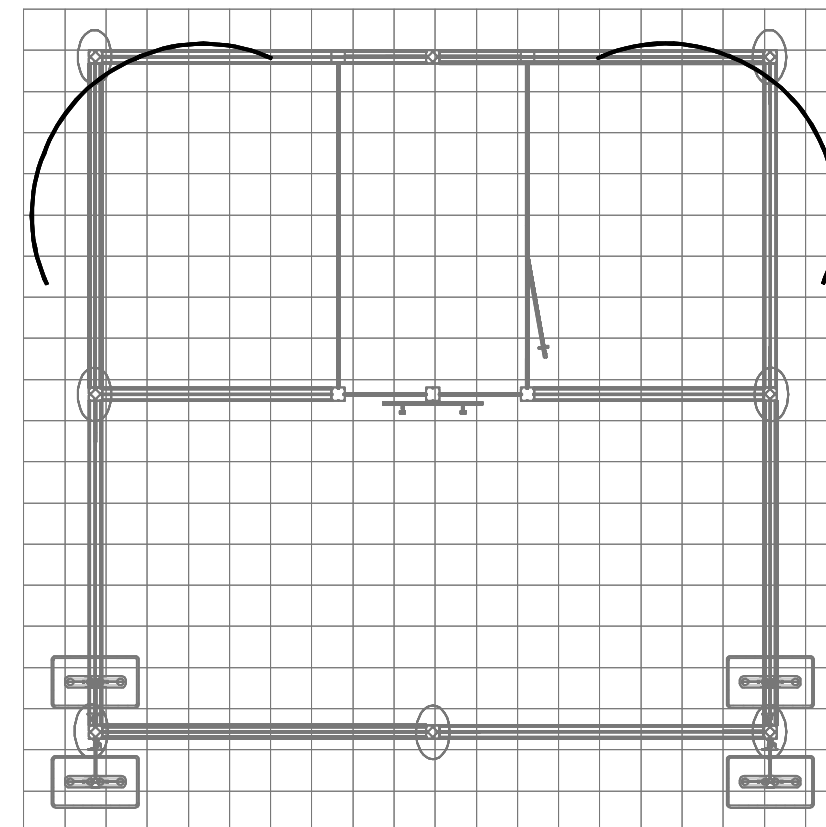
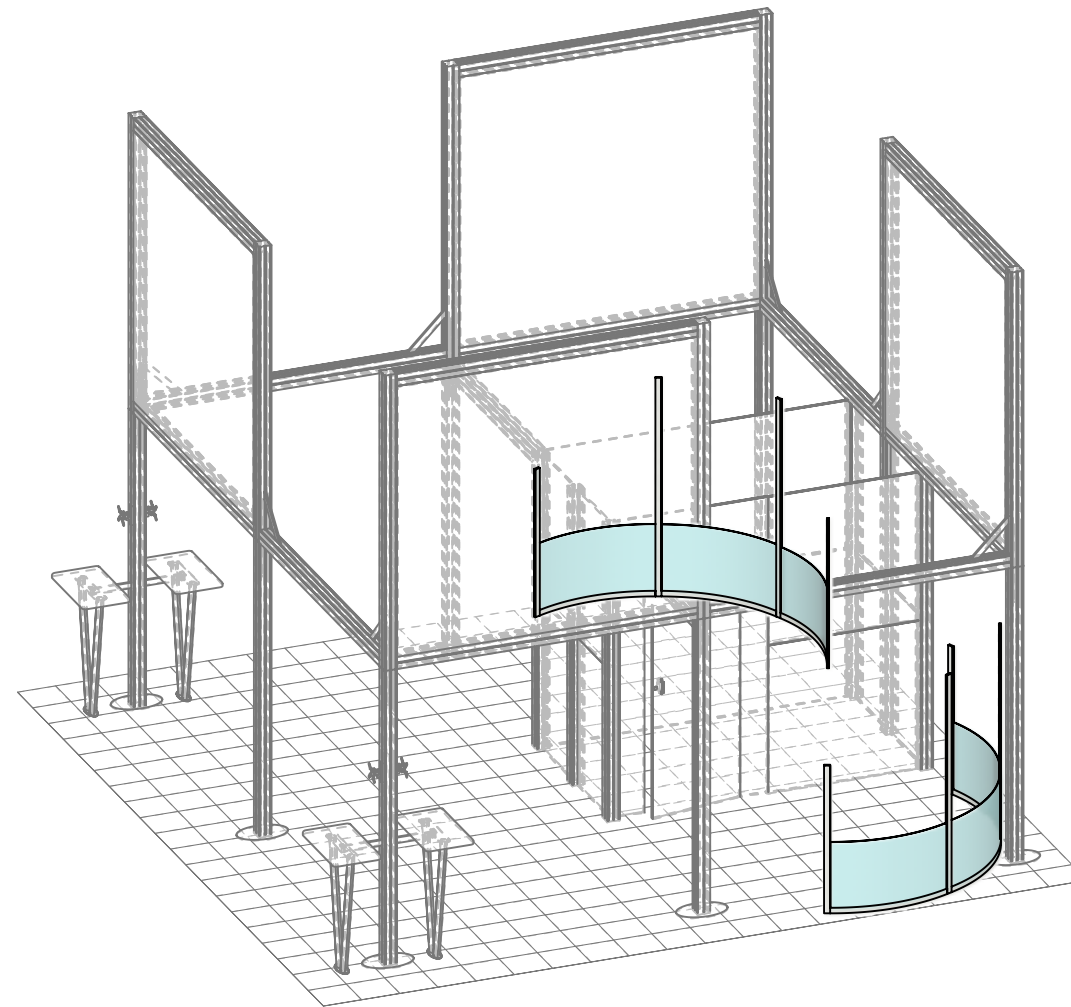


WARNING!
Locks should ONLY be turned a quarter turn, so as not to STRIP the locks by over torquing them



LOCK EXTRUSION BY USING 5MM ALLEN KEY

BUILD 2 UNITS

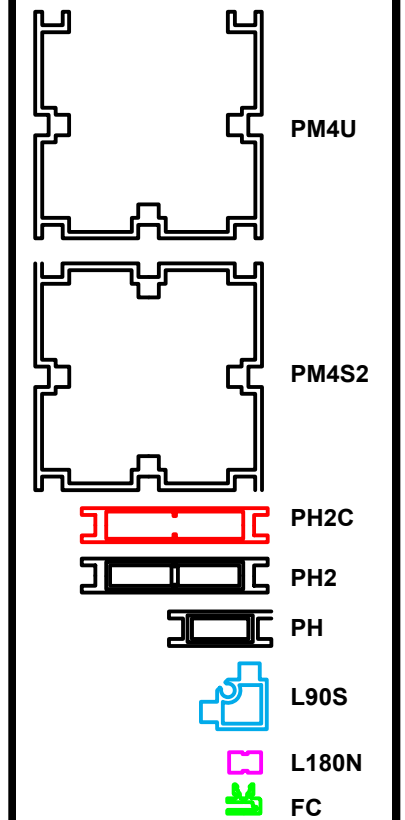


1. Redesign of this exhibit without approval by manufacturer may result in dangerous and unsafe structures. Manufacturer disclaims any responsibility for redesigned exhibits it does not approve in writing.

2. Parts and components such as panels and extrusions are manufactured to metric sizing. Where ever possible sizes have been noted in feet and inches as well as in metric. Below is the imperial to metric sizing table as reference. "Nominal" refers to approximate size.

2400mm = (94 1/2")	Phone Line / Fax
2100mm = (82 5/8")	Internet connection
1800mm = (70 7/8")	Outlet
1500mm = (59")	Main Drop (point of distrution)
1200mm = (47 1/4")	
900mm = (35 1/2")	
600mm = (23 5/8")	
300mm = (11 7/8")	

--- Wire running under carpet



HYBRID PRO RENTAL KIT

Title: SET-UP INSTRUCTIONS

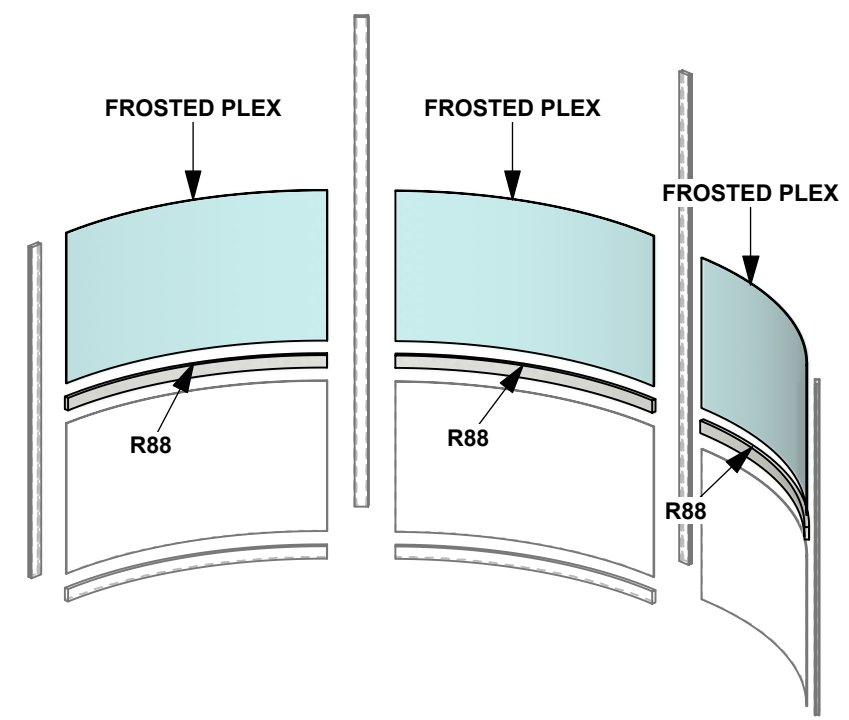
Code	#	Description
R88	6	RADIUS PH-4RN PH EXTRUSION WITH LOCKS BO
FROSTED PLE	6	545MM (V) X 965MM X 1/8" P95 SINGLE SIDED FR

1. Redesign of this exhibit without approval by manufacturer may result in dangerous and unsafe structures. Manufacturer disclaims any responsibility for redesigned exhibits it does not approve in writing.

2. Parts and components such as panels and extrusions are manufactured to metric sizing. Where ever possible sizes have been noted in feet and inches as well as in metric. Below is the imperial to metric sizing table as reference. "Nominal" refers to approximate size.

2400mm = (94 1/2")	Phone Line / Fax
2100mm = (82 5/8")	Internet connection
1800mm = (70 7/8")	Outlet
1500mm = (59")	Main Drop (point of distrution)
1200mm = (47 1/4")	
900mm = (35 1/2")	
600mm = (23 5/8")	
300mm = (11 7/8")	

--- Wire running under carpet

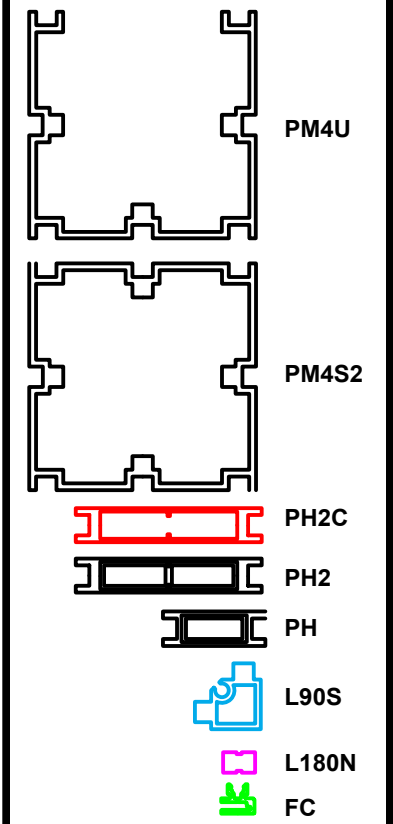
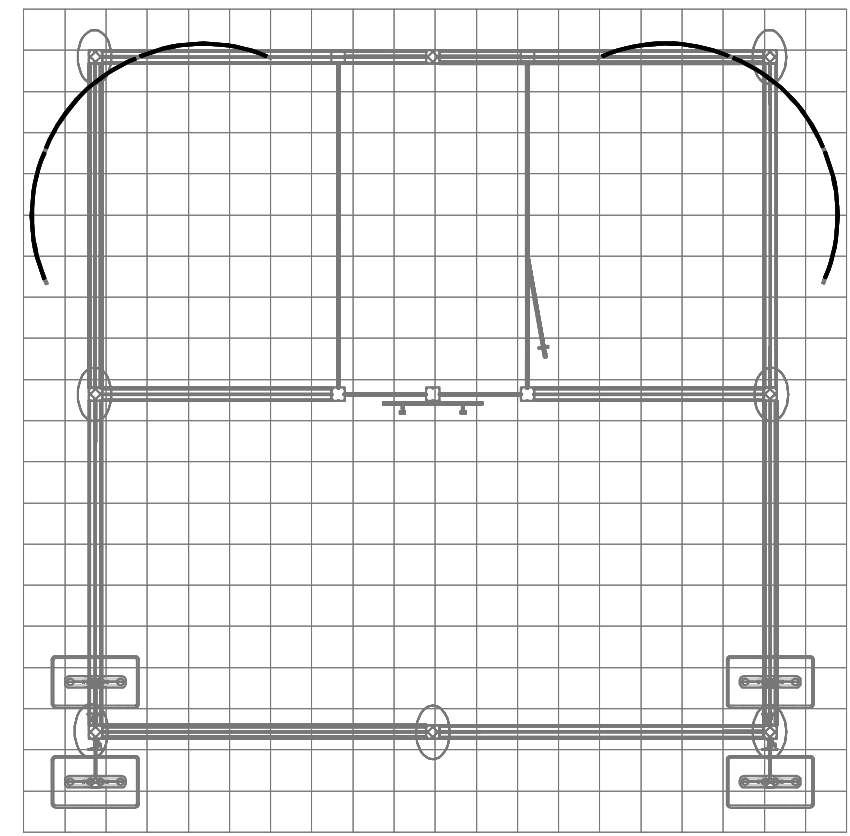
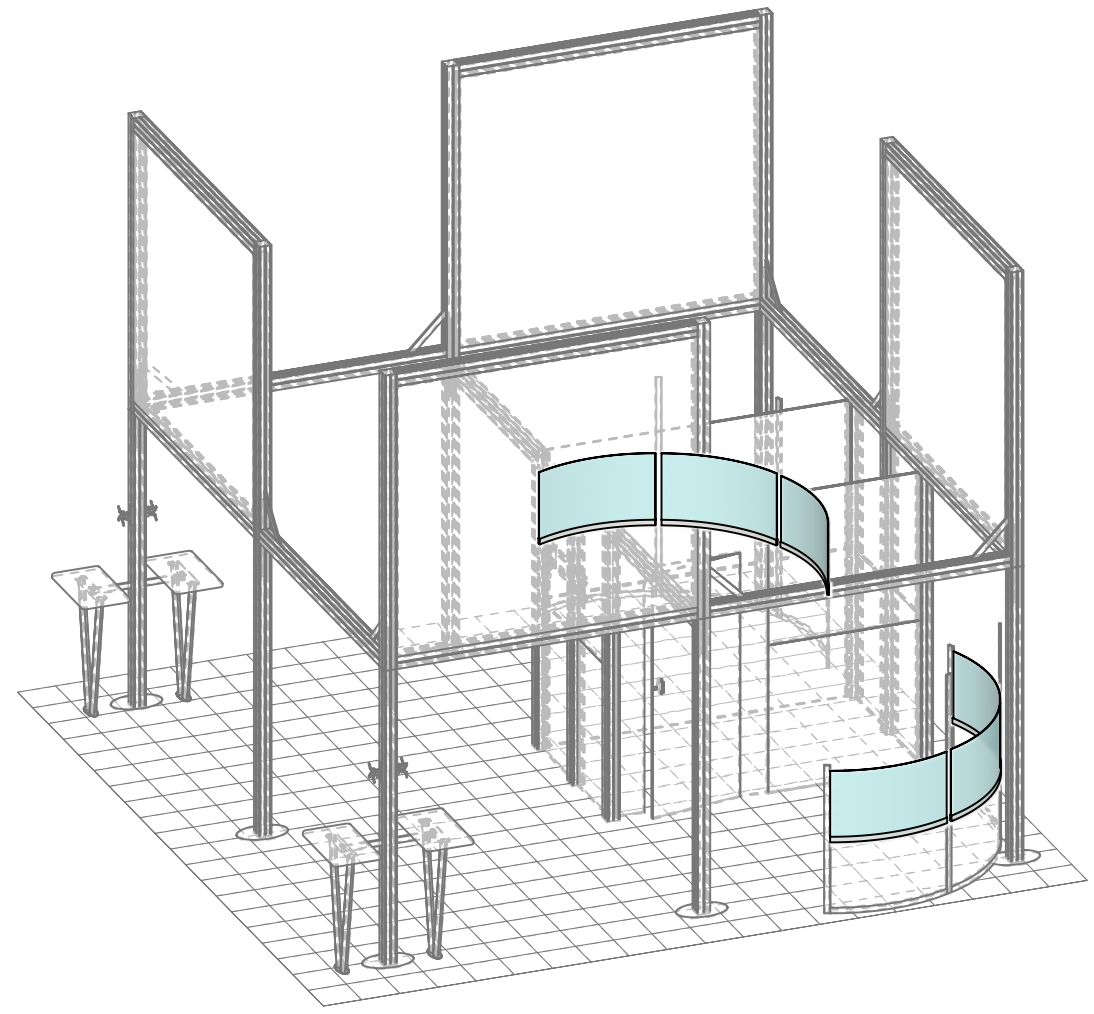


WARNING!
Locks should ONLY be turned a quarter turn, so as not to STRIP the locks by over torquing them



LOCK EXTRUSION BY USING 5MM ALLEN KEY

BUILD 2 UNITS



HYBRID PRO RENTAL KIT

Title: SET-UP INSTRUCTIONS

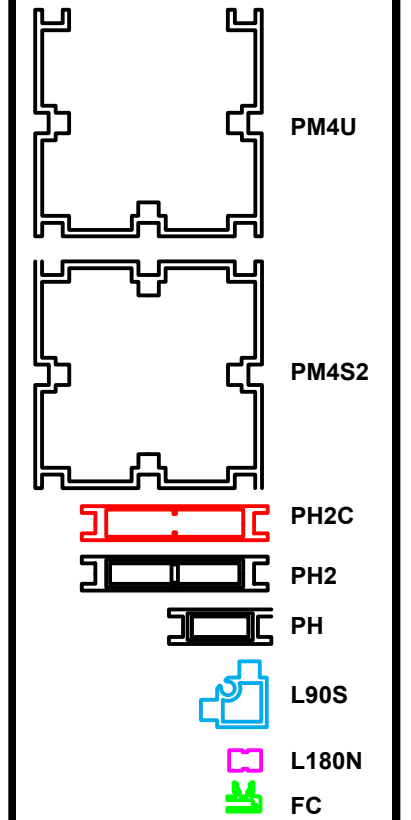
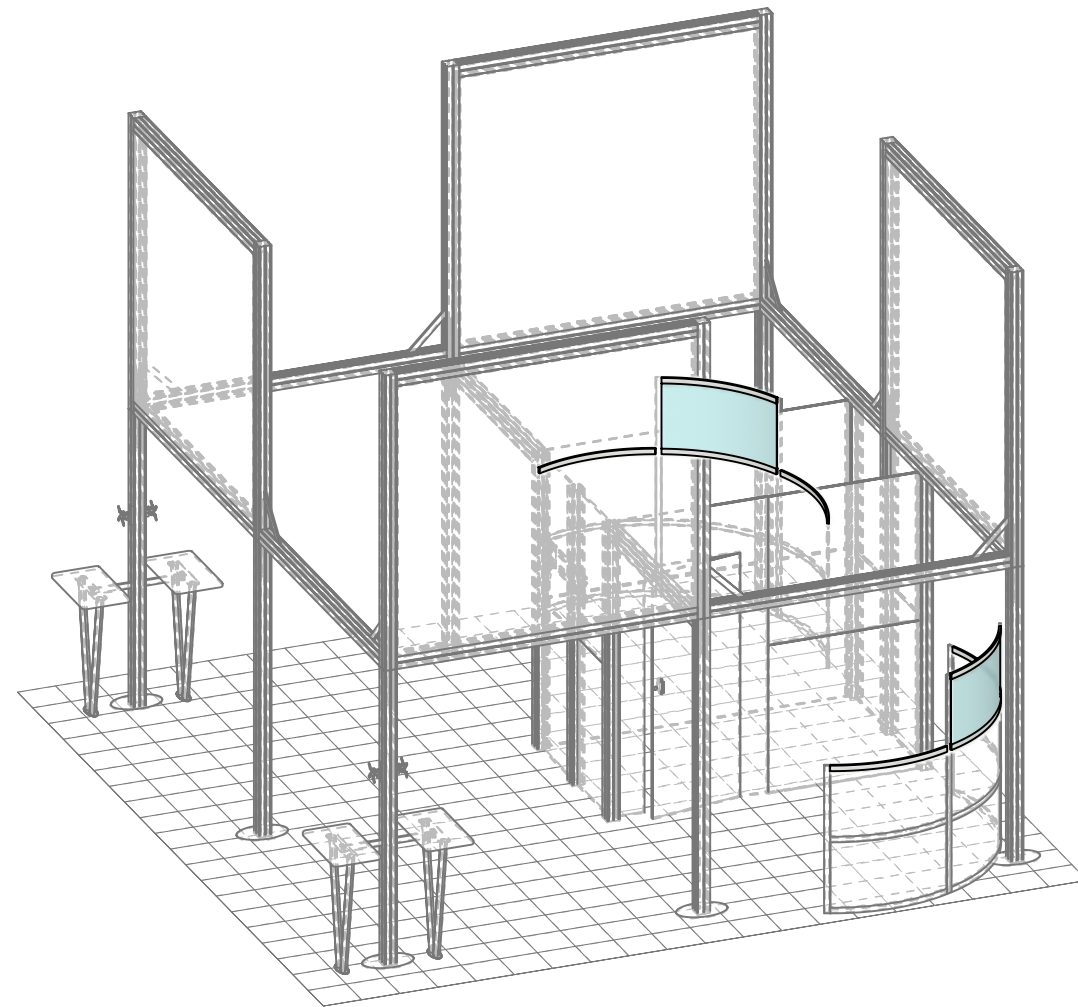
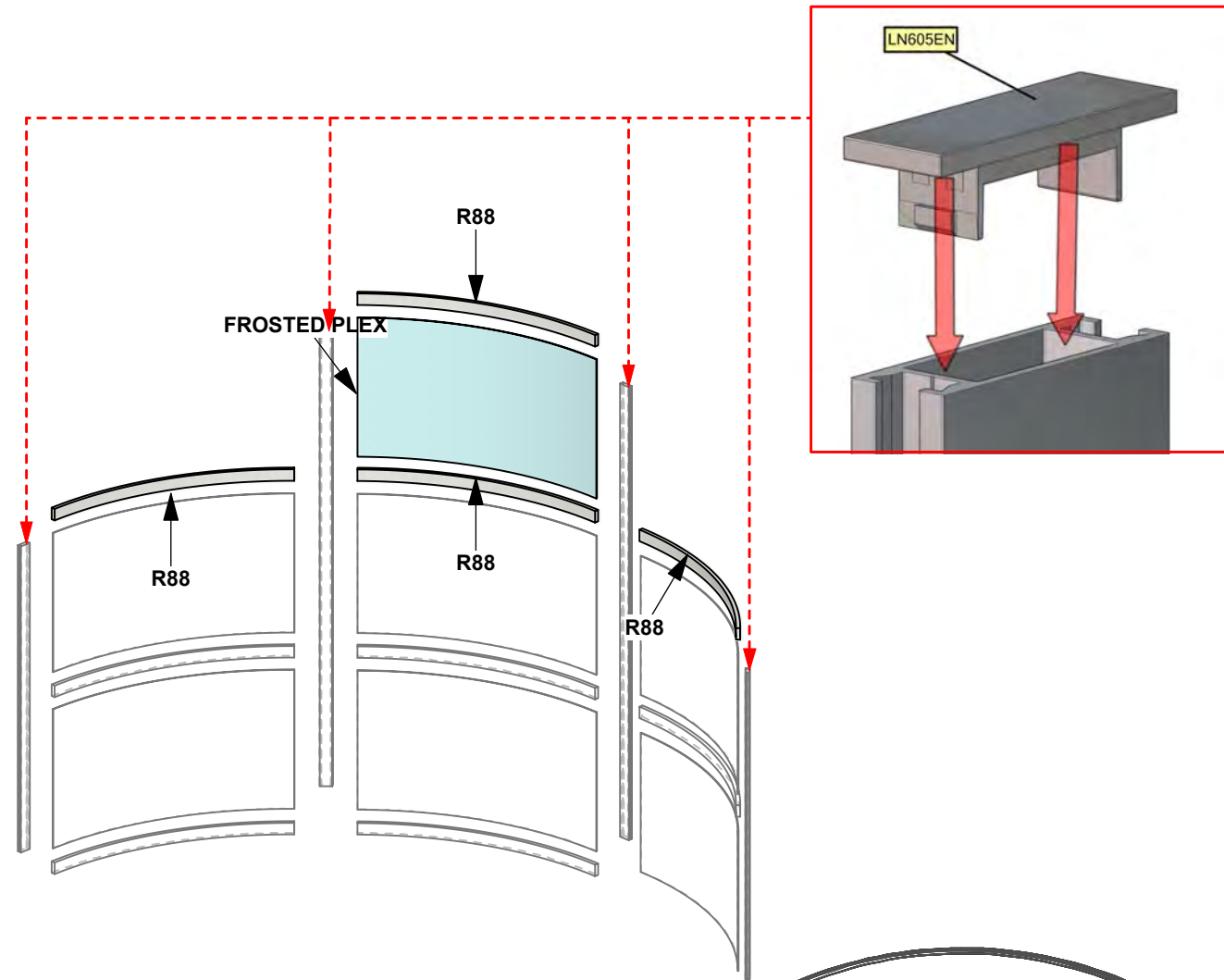
Code	#	Description
R88	8	RADIUS PH-4RN PH EXTRUSION WITH LOCKS BOTH ENDS (LOCK)
FROSTED PLEX	2	545MM (V) X 965MM X 1/8" P95 SINGLE SIDED FROSTED PLEX

1. Redesign of this exhibit without approval by manufacturer may result in dangerous and unsafe structures. Manufacturer disclaims any responsibility for redesigned exhibits it does not approve in writing.

2. Parts and components such as panels and extrusions are manufactured to metric sizing. Where ever possible sizes have been noted in feet and inches as well as in metric. Below is the imperial to metric sizing table as reference. "Nominal" refers to approximate size.

2400mm = (94 1/2")	Phone Line / Fax
2100mm = (82 5/8")	Internet connection
1800mm = (70 7/8")	Outlet
1500mm = (59")	Main Drop (point of distrution)
1200mm = (47 1/4")	
900mm = (35 1/2")	
600mm = (23 5/8")	
300mm = (11 7/8")	

--- Wire running under carpet

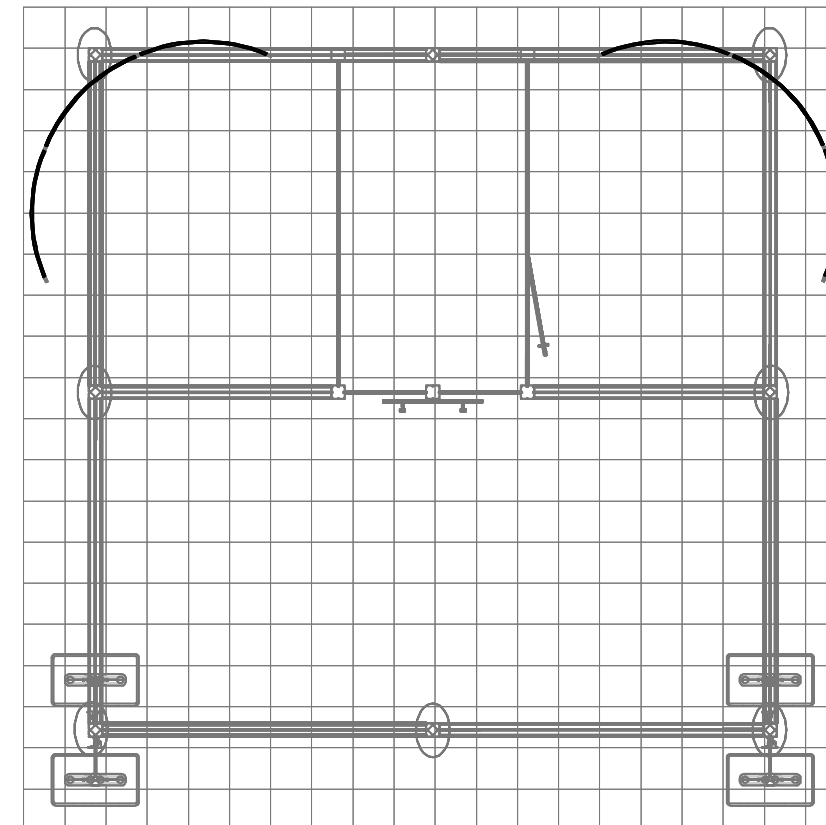


WARNING!
Locks should ONLY be turned a quarter turn, so as not to STRIP the locks by over torquing them



LOCK EXTRUSION BY USING 5MM ALLEN KEY

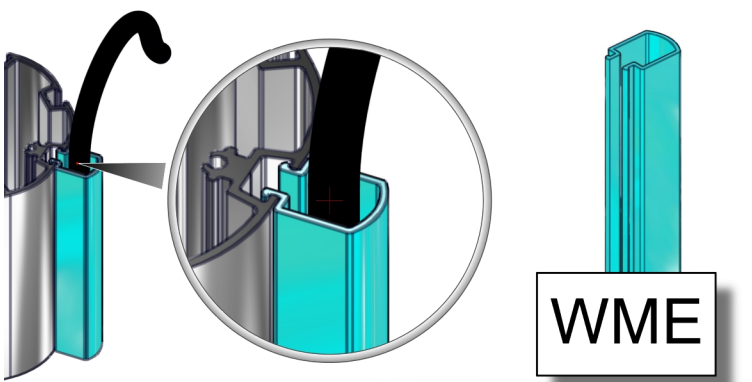
BUILD 2 UNITS



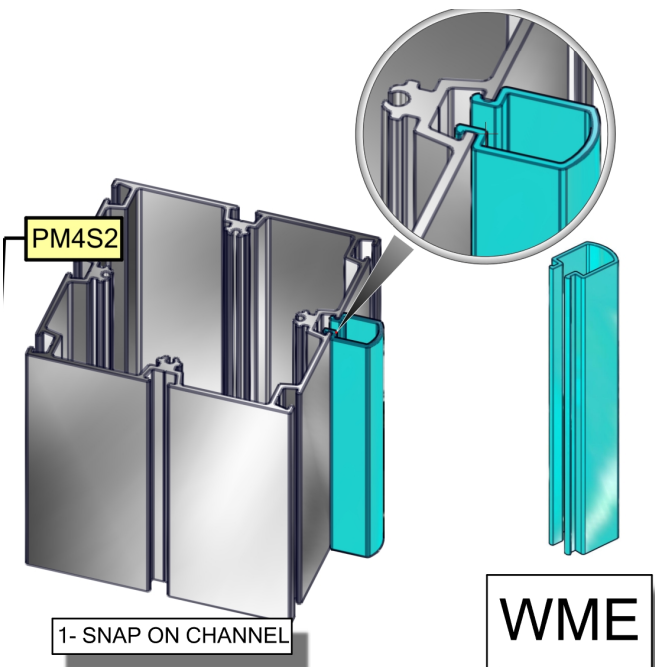
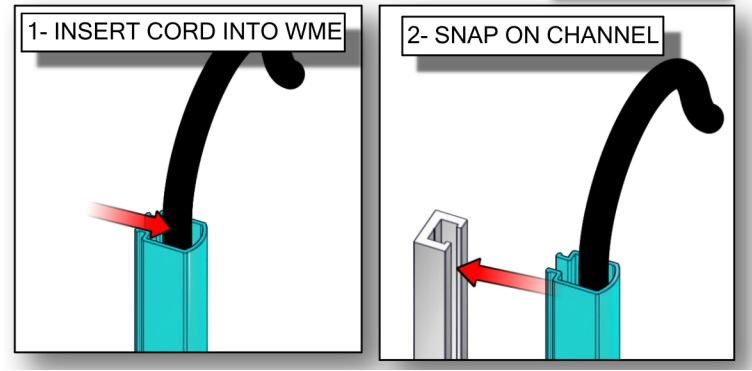
HYBRID PRO RENTAL KIT

Title: SET-UP INSTRUCTIONS

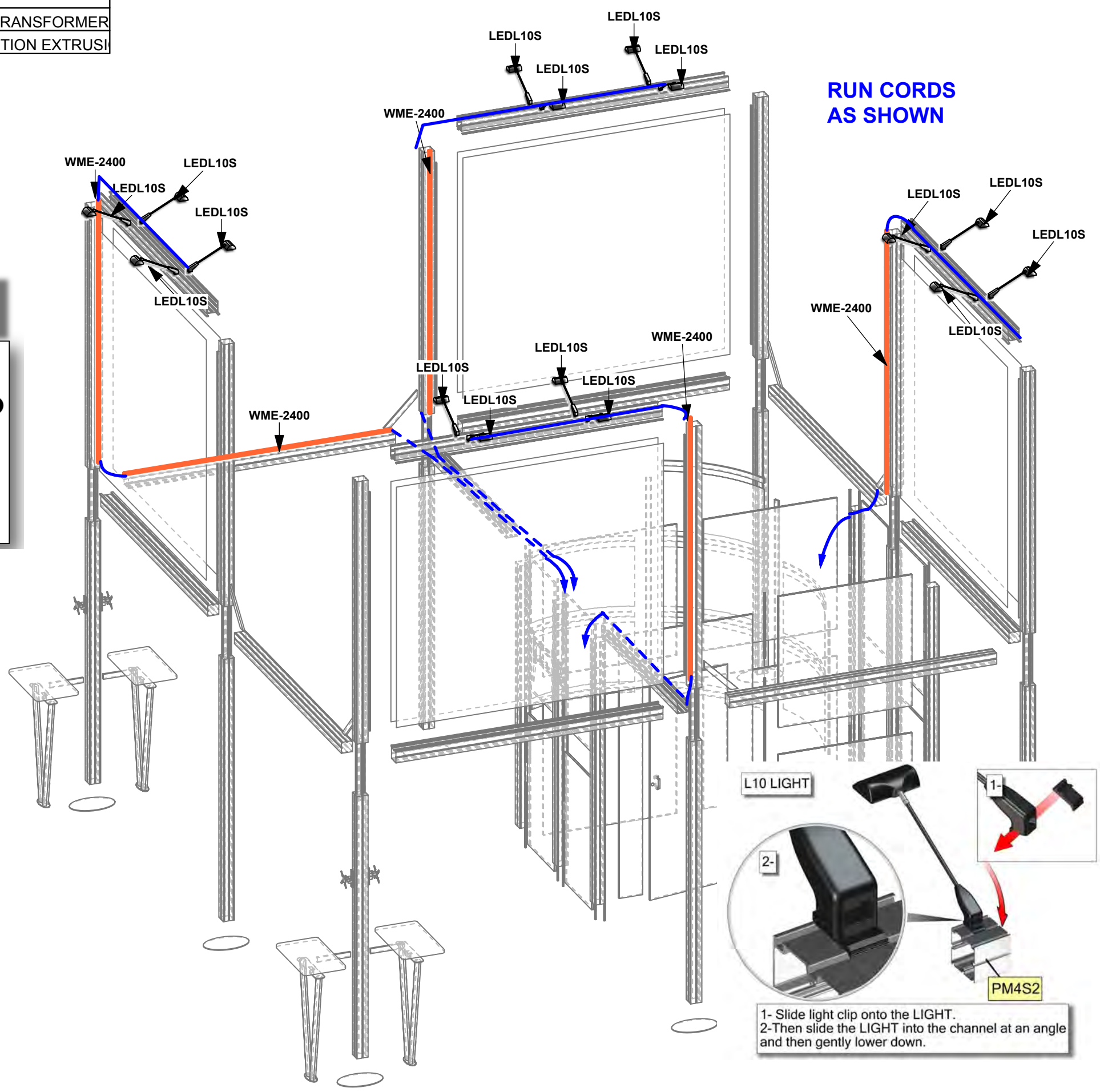
Code	#	Description
LEDL10S	16	LED SPOTLIGHT,3M,UL PLUG W/TRANSFORMER
WME-2400	5	2400MM (94.49") FABRIC CONNECTION EXTRUSION



WME



WME



RUN CORDS AS SHOWN

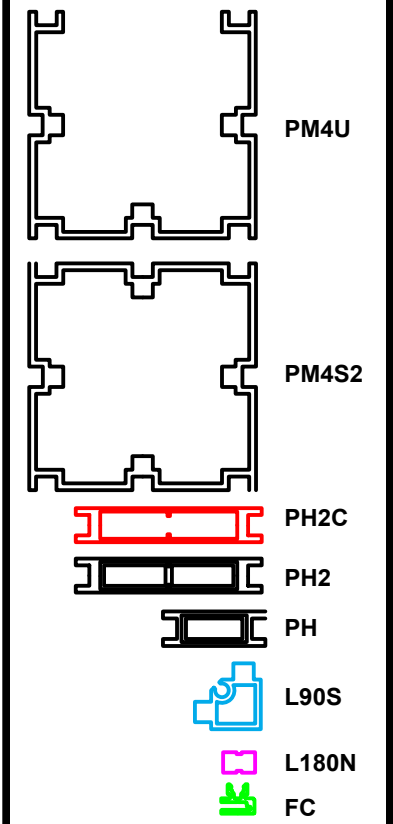


1- Slide light clip onto the LIGHT.
2-Then slide the LIGHT into the channel at an angle and then gently lower down.

1. Redesign of this exhibit without approval by manufacturer may result in dangerous and unsafe structures. Manufacturer disclaims any responsibility for redesigned exhibits it does not approve in writing.
2. Parts and components such as panels and extrusions are manufactured to metric sizing. Where ever possible sizes have been noted in feet and inches as well as in metric. Below is the imperial to metric sizing table as reference. "Nominal" refers to approximate size.

2400mm = (94 1/2")	Phone Line / Fax
2100mm = (82 5/8")	Internet connection
1800mm = (70 7/8")	Outlet
1500mm = (59")	Main Drop (point of distrution)
1200mm = (47 1/4")	
900mm = (35 1/2")	
600mm = (23 5/8")	
300mm = (11 7/8")	

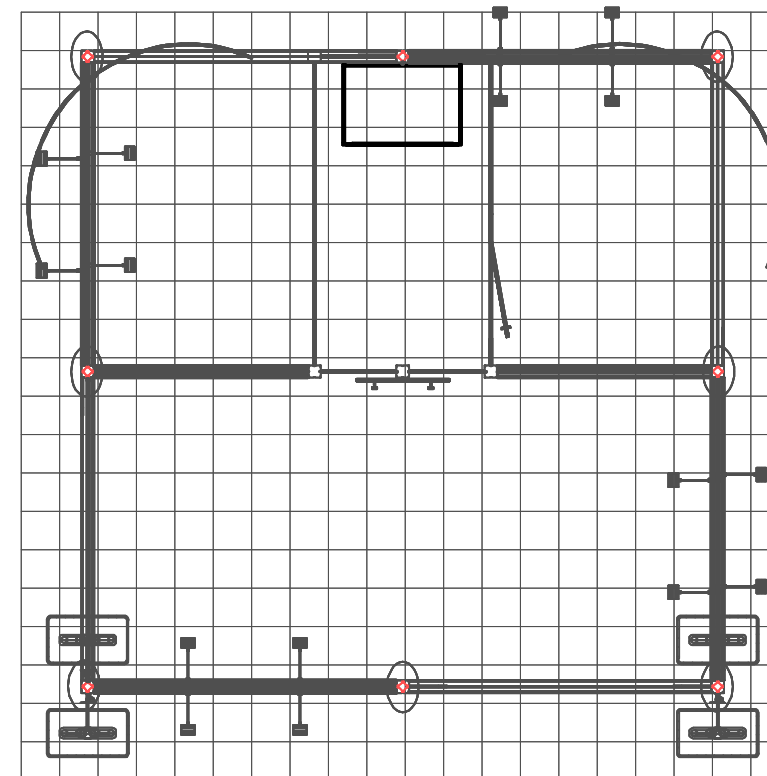
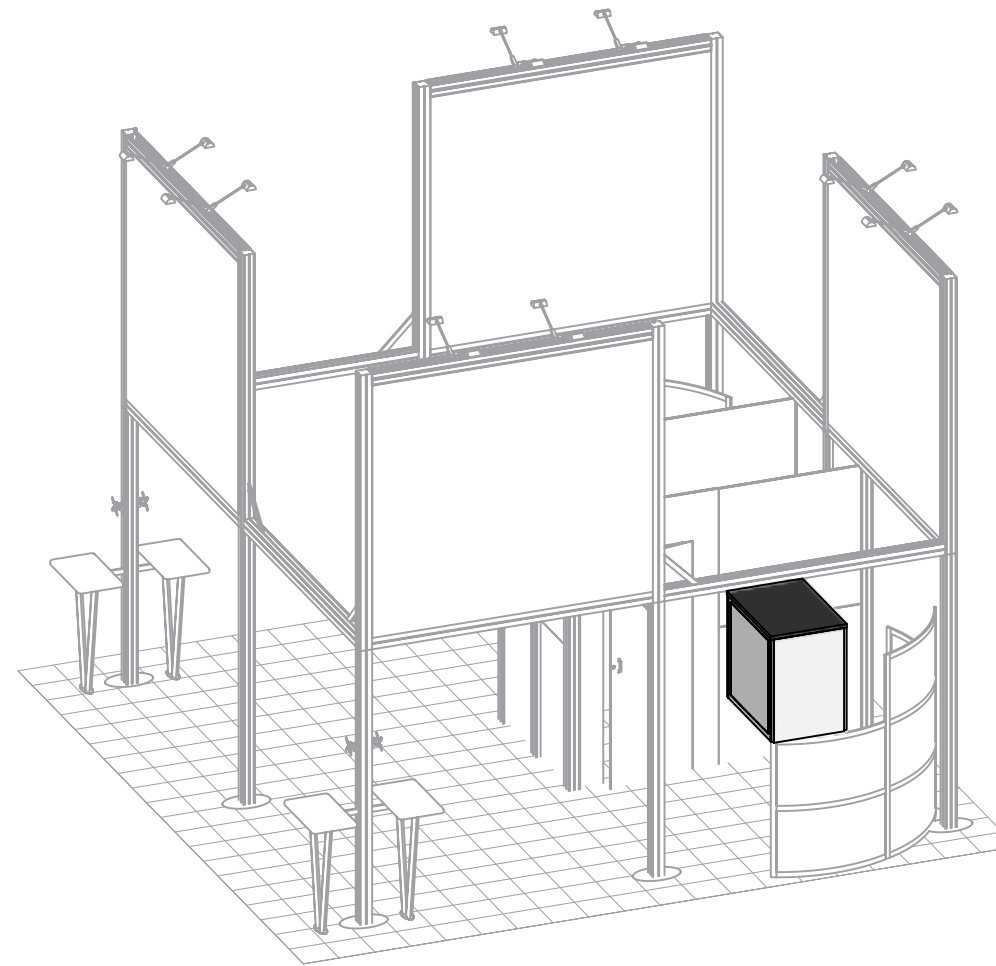
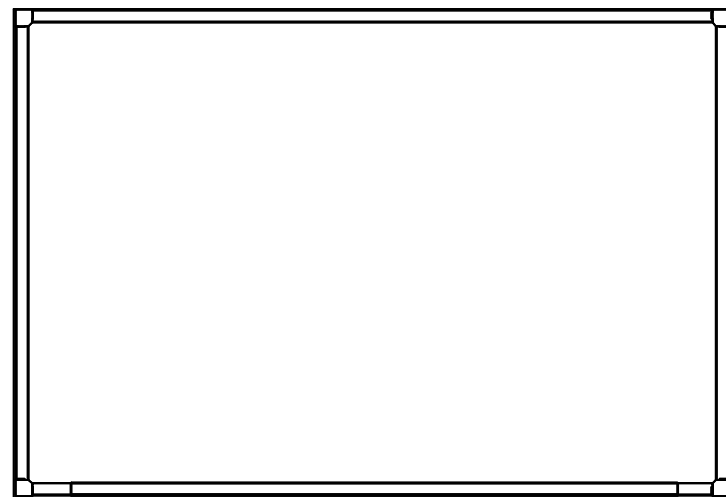
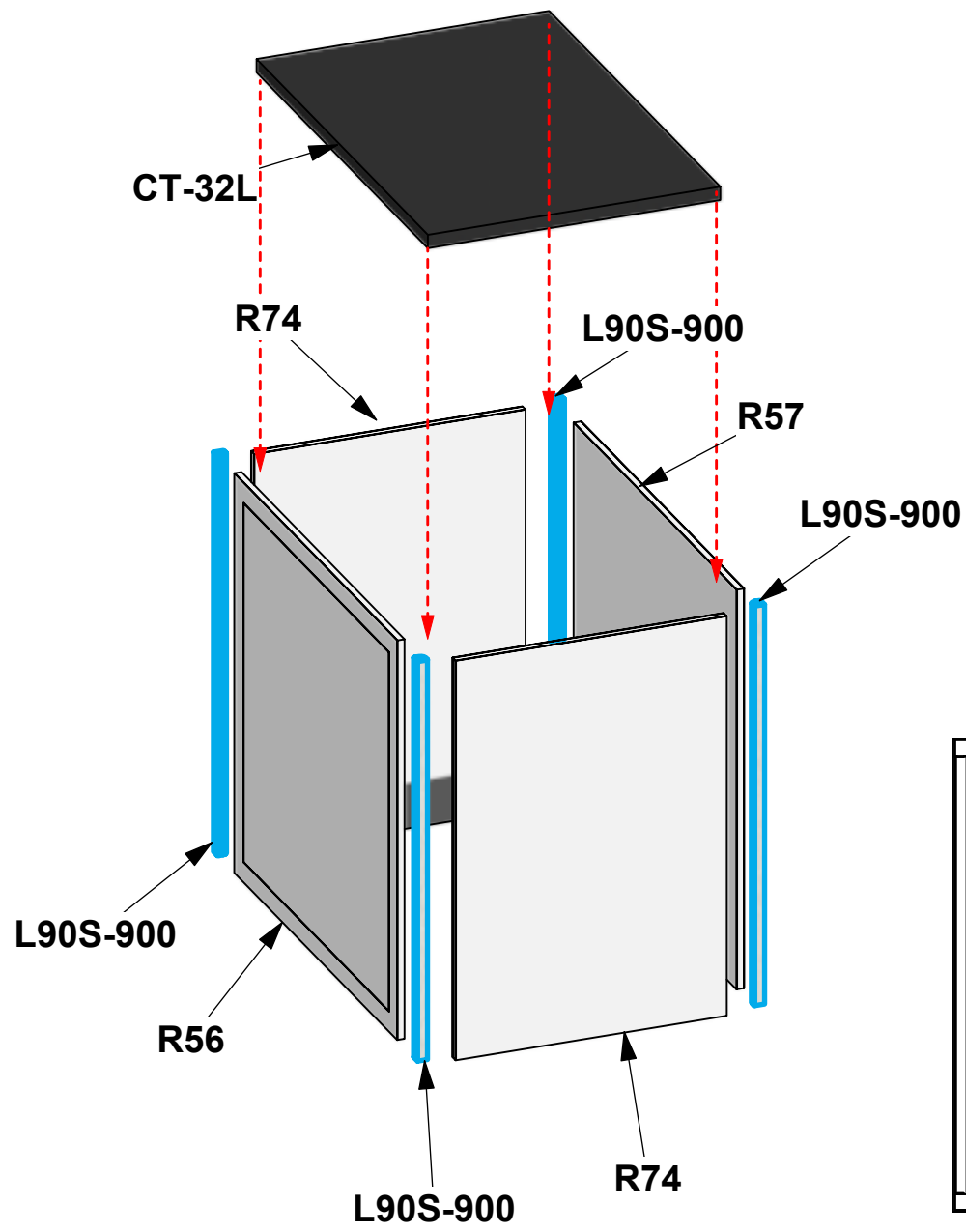
--- Wire running under carpet



HYBRID PRO RENTAL KIT

Title: SET-UP INSTRUCTIONS

Code	#	Description
R74	2	3 X 2 (900MM X 600MM) LAMINATE PANEL
R57	1	3 X 3 (900MM X 900MM) LAMINATE PANEL
CT-32L	1	3' X 2' LAMINATE COUNTER TOP
R56	1	900MM V x 900MM W LAMINATE CABINET DOOR
L90S-900	4	900MM (35.43") 90 DEGREE SILVER LINK EXTRUSION90 DEGREE

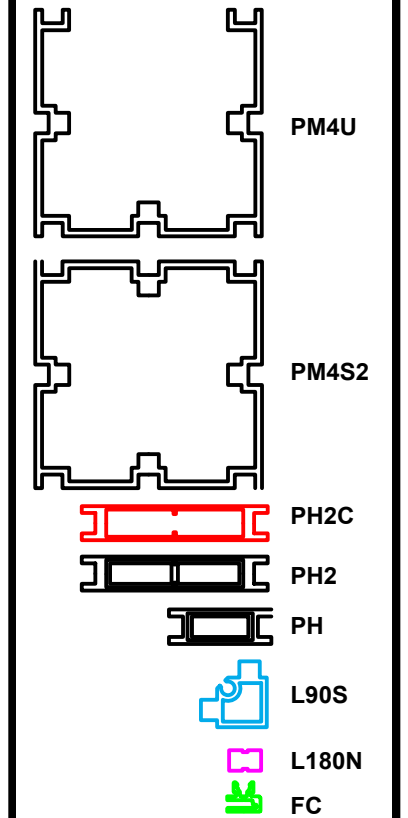


1. Redesign of this exhibit without approval by manufacturer may result in dangerous and unsafe structures. Manufacturer disclaims any responsibility for redesigned exhibits it does not approve in writing.

2. Parts and components such as panels and extrusions are manufactured to metric sizing. Where ever possible sizes have been noted in feet and inches as well as in metric. Below is the imperial to metric sizing table as reference. "Nominal" refers to approximate size.

2400mm = (94 1/2")	Phone Line / Fax
2100mm = (82 5/8")	Internet connection
1800mm = (70 7/8")	Outlet
1500mm = (59")	Main Drop (point of distrution)
1200mm = (47 1/4")	
900mm = (35 1/2")	
600mm = (23 5/8")	
300mm = (11 7/8")	

--- Wire running under carpet



HYBRID PRO RENTAL KIT

Title: SET-UP INSTRUCTIONS

PACKING INSTRUCTIONS



- 14** (1) R92, (4) V-LG-02
- 13** (2) V-CW-CT-01, (1) CT-32L
- 12** (16) LED L10S 2V-CW-01
- 11** (1) R56, (2) V-CW-CT-01, (1) R57
- 10** (2) R74, (1) R57
- 9** (4) R93
- 8** (4) R93
- 7** (2) R70
- 6** (2) R70
- 5** (2) R70
- (14) L180N-1200, (32) L180N-600, (16) R68, (16) R83, (2) R81, (4) 87, (2)R81
- 4** (3) EXT-M-MB, (8) R13, (4) L90S-900, (20) R88, (8) R91, (4) R8, (4) R86,(1) R78
- 3** (11) R75
- 2** (2) R78, (2) R117, (2) R115, (5) R75
- 1** (10) R77, (1) R116

CASE # 1

LEGEND		GREY FOAM FOLDED TO FILL EMPTY SPACES OR USED AS PROTECTION
		1/8" CARDBOARD SPACER (PUT IN BETWEEN EVERY PANEL)
		DIVIDER
		1/4" WHITE FOAM (USED AS PROTECTION DOOR PANELS W/ LOCKS)



Monitor Bracket Instructions

Extrusion Channel Applications



EXT-SM-MB

Vesa Pattern: 75 x 75
up to 200 x 200mm

Max weight varies per application

Assembled unit:

10" w x 8.86" h x 2" d
255mm (w) x 225mm (h) x 50mm (d)

Shipping dimensions:

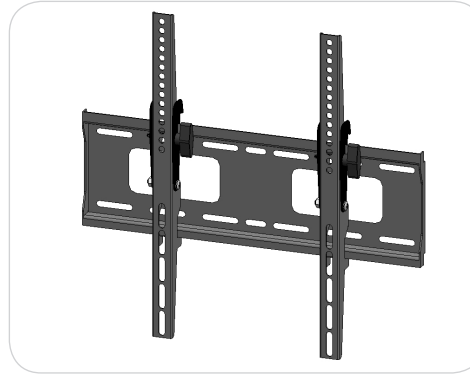
14" l x 6" h x 4" d
356mm (l) x 152mm (h) x 102mm (d)

Approximate total shipping weight:

6 lbs / 3 kg

Recommended monitor sizes:

23" - 42"



EXT-M-MB

Vesa Pattern: 200 x 200
up to 400 x 400mm

Max weight varies per application

Assembled unit:

17.6" w x 16.7" h x 1.6" d
448mm (w) x 425mm (h) x 40mm (d)

Shipping dimensions:

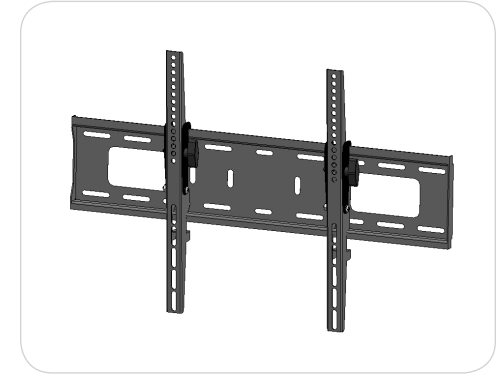
24" l x 4" h x 4" d
610mm (l) x 102mm (h) x 102mm (d)

Approximate total shipping weight:

8 lbs / 4 kg

Recommended monitor sizes:

32" - 55"



EXT-LG-MB

Vesa Pattern: 200 x 200
up to 600 x 400mm

Max weight varies per application

Assembled unit:

25.9" w x 16.7" h x 1.6" d
658mm (w) x 425mm (h) x 40mm (d)

Shipping dimensions:

28" l x 6" h x 6" d
711mm (l) x 152mm (h) x 152mm (d)

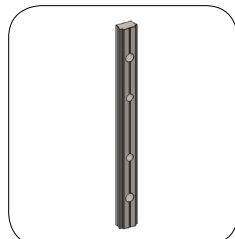
Approximate total shipping weight:

9 lbs / 5 kg

Recommended monitor sizes:

37" - 70"

Included hardware:



LN-100

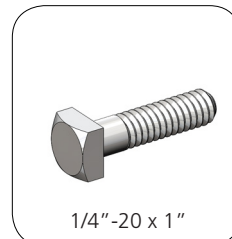
x2



M5 x 10

LN-LCD-SCW

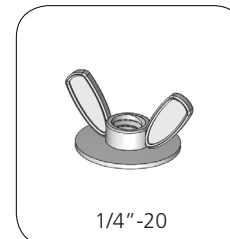
x2



1/4"-20 x 1"

BOLT-1

x2



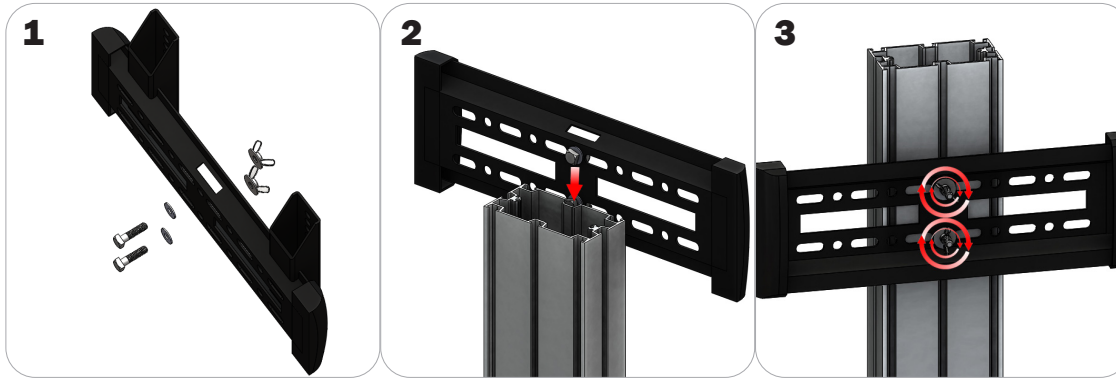
1/4"-20

Flange Wing nut

x2

Extrusion Connection

Channel Connection A



Locate all components needed to assemble the monitor mount with the channel connection A method. You will need (1) monitor bracket, (2) square head bolts, (2) washers, and (2) wing nuts.

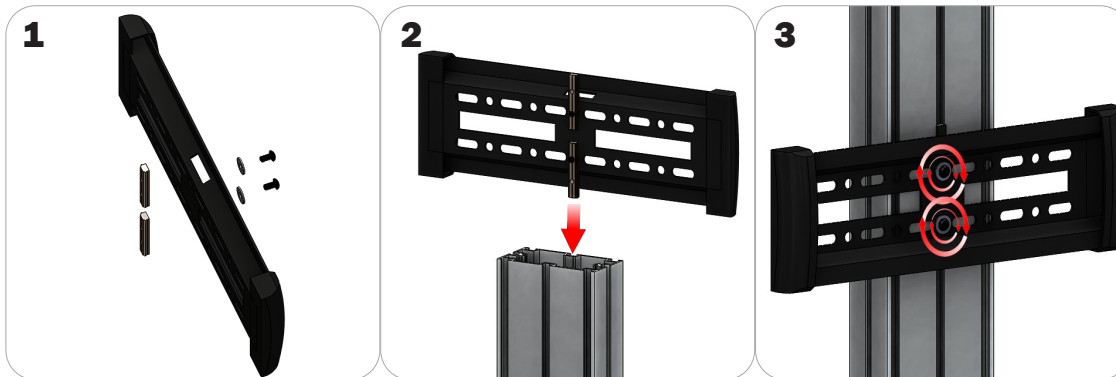
Step 1: Insert the provided bolts through the washers and center top and bottom holes of the monitor mount. Loosely thread your wing nuts onto the end of the bolts.

Step 2: Slide the bolt heads down the extrusion channel.

Step 3: Tighten your wing nuts to lock the monitor bracket in place.

Step 4: Reference the included manufacturer monitor mount instructions for fastening your monitor to the bracket.

Channel Connection B



Locate all components needed to assemble the monitor mount with the channel connection B method. You will need (1) monitor bracket, (2) LN-LCD-SCW, (2) LN-100, and (2) washers.

Step 1: Loosely thread the LN-LCD-SCW screws through the washers, the center top and bottom holes of the monitor bracket, and through the LN-50 holes.

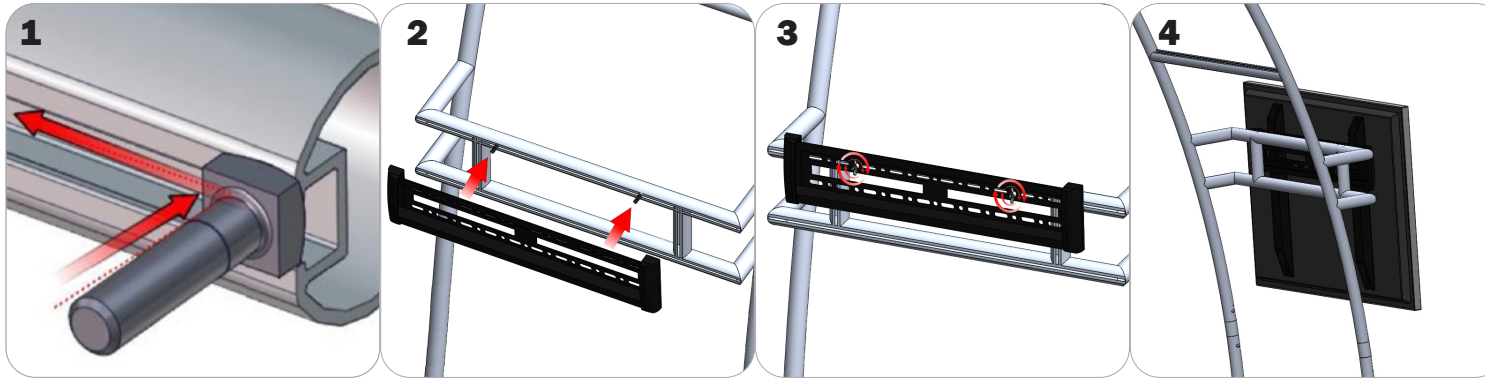
Step 2: Slide the LN-100s down the extrusion channel.

Step 3: Tighten your LN-LCD-SCW to lock the monitor bracket in place.

Step 4: Reference the included manufacturer monitor mount instructions for fastening your monitor to the bracket.

Extrusion Connection

TRI-30MM Channel Tube Connection



Locate all components needed to assemble the monitor mount with the TRI-30MM Channel Tube Connection method. You will need (1) monitor bracket, (2) Square Bolts, and (2) Wingnuts.

Step 1: Slip the head of the square bolts into the extrusion channel of the tube.

Step 2: Apply your monitor bracket to the protruding square bolts.

Step 3: Lock your monitor bracket to the square bolts using the provided wingnuts.

Step 4: Reference the included manufacturer monitor mount instructions for fastening your monitor to the bracket.