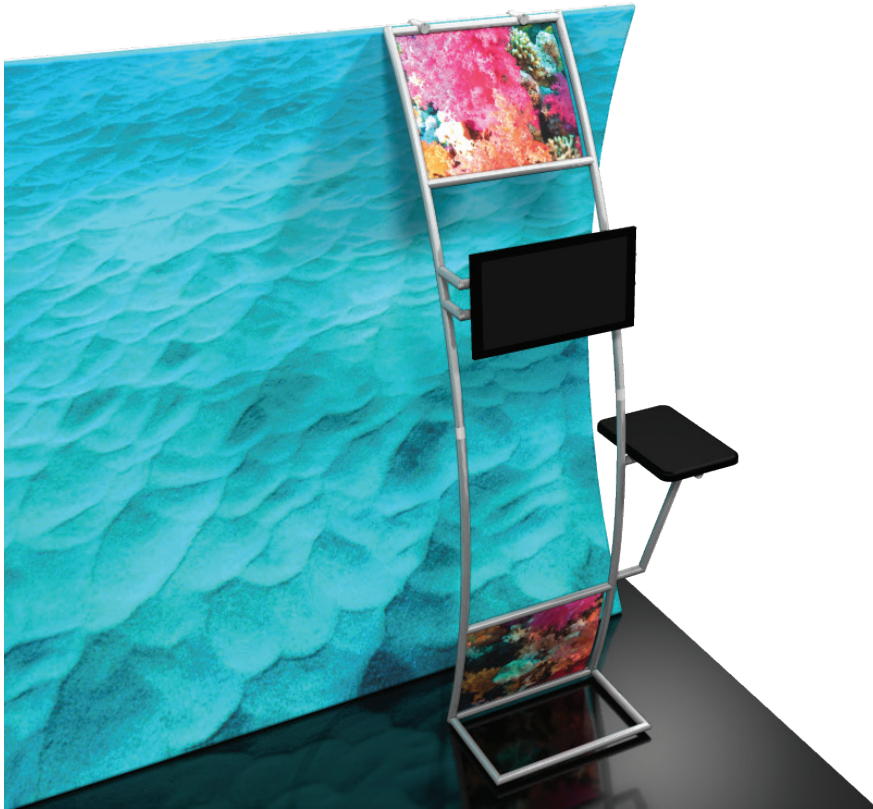


Formulate Accent - 03 Right Side Table

FMLT-WL03-R

Formulate® accents enhance the functionality of any 10ft or 20ft backwall and add more real estate for messaging too! With monitor supports, literature pockets, shelves, tables, counters and more, you are sure to find the accent that best suits your needs. Right side table and graphic headers also available.



We are continually improving and modifying our product range and reserve the right to vary the specifications without prior notice. All dimensions and weights quoted are approximate and we accept no responsibility for variance. E&OE. See Graphic Templates for graphic bleed specifications.

features and benefits:

- State-of-the-art brushed 30mm aluminum tube frame with snap button assembly
- Hardware mounts for a small sized monitor; max 37" / 40 lbs
- Top and bottom printed infill panels
- Kit includes: one frame, two panel graphics, stand-off monitor mount, side table, and one wheeled molded OCH2 storage case
- Lifetime hardware warranty against manufacturer defects

dimensions:

Hardware

Assembled unit:
36.3"w x 92.7"h x 28.75"d
922mm(w) x 2355mm(h) x 730mm(d)

Countertop Dimensions:
20.47"w x 11.81"d
520mm(l) x 300mm(d)

Approximate weight (includes graphics):
30 lbs / 13.6 kgs

Shipping

Shipping dimensions:
1 OCH2 case: 52"l x 30"w x 15"h
1320mm(l) x 762mm(w) x 381mm(h)

Approximate shipping weight (with case):
60 lbs / 27 kgs

Graphic

Refer to related graphic template for more information.

Visit:
www.exhibitors-handbook.com/graphic-templates

additional information:

Graphic material: 3mm white pvc

Table holds max 10 lbs / 4.5 kgs

Monitor mount: Max T.V. Size is 37" / 40 lbs
*Kit does not include monitor

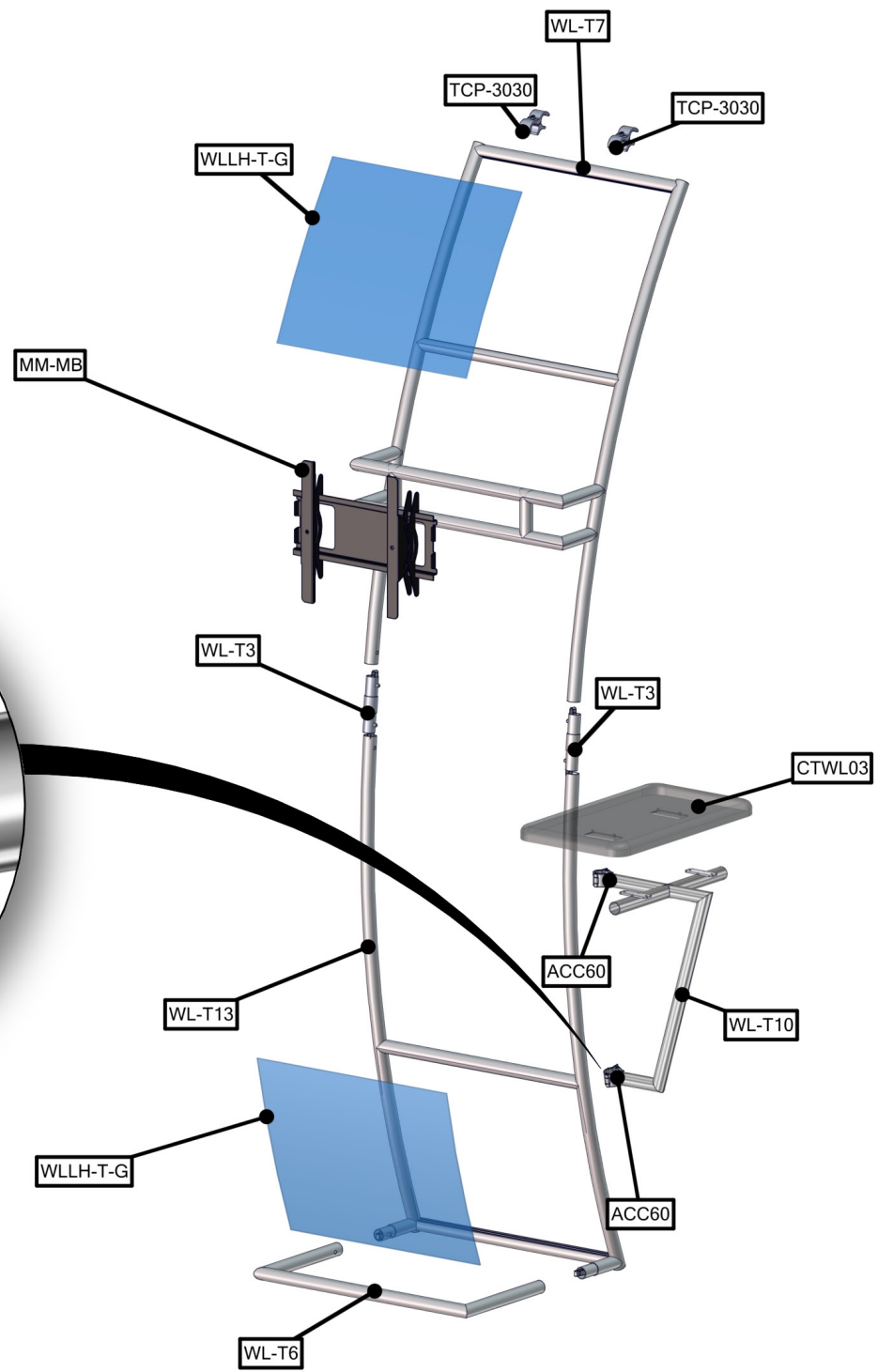
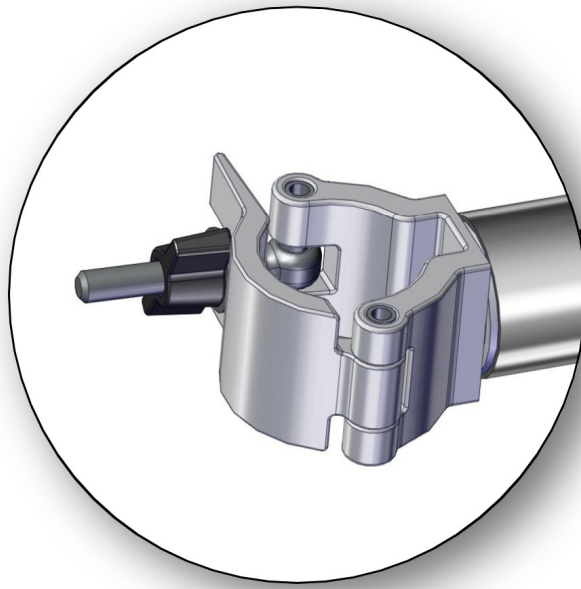
When included in a larger kit, a different packaging solution will be listed to accommodate all contents of the kit. Individual packaging no longer provided.

Table colors:

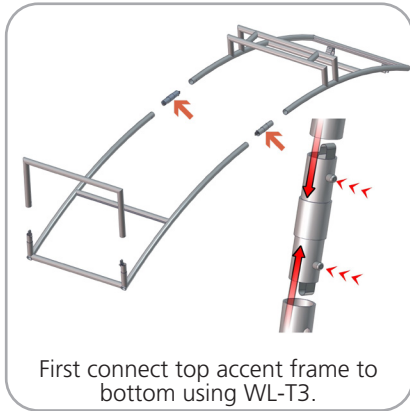


www.display-setup-animations.com

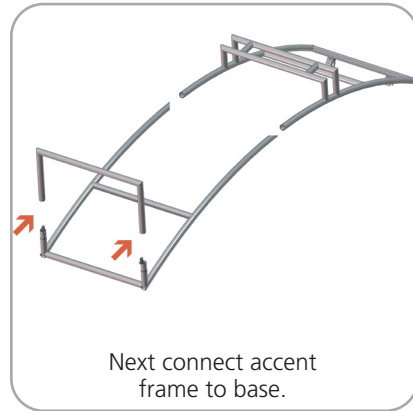
Parts Included		
Part Label	Qty	Part Code
30MM TUBE CLAMP	x2	ACC60
SMALL MONITOR BRACKET	x1	EXT-SM-MB
520 X 300 X 30 COUNTER	x1	CTWL03
PARALLEL TUBE CLAMP FOR 30MM TUBES	x2	TCP-3030
30MM TUBE SECTION	x2	WL-T3
TOP SINTRA GRAPHICS	x2	WLLH-T-G
30MM TUBE SECTION	x1	WL-T13
30MM TUBE SECTION	x1	WL-T6
30MM TUBE SECTION	x1	WL-T7
RWL-T10	x1	RWL-T10



STEP 1: ASSEMBLE FRAME

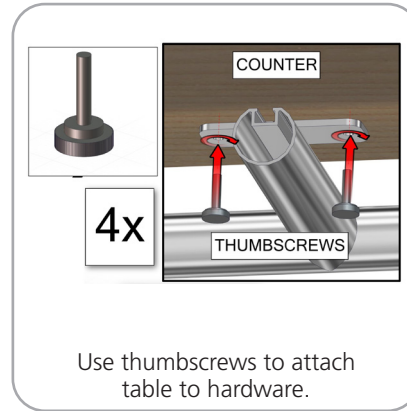


First connect top accent frame to bottom using WL-T3.



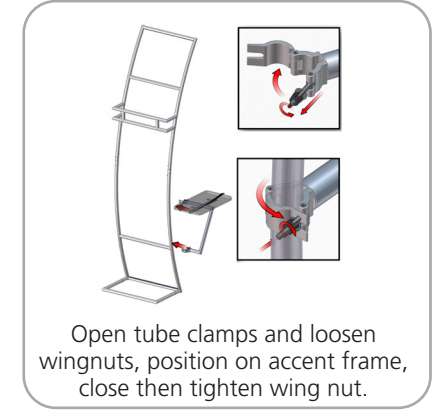
Next connect accent frame to base.

STEP 2: ATTACH TABLE



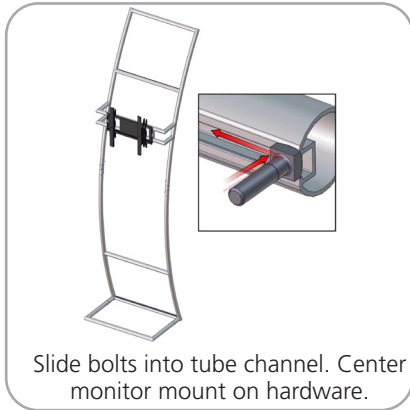
Use thumbscrews to attach table to hardware.

STEP 3: ATTACH TABLE TO ACCENT FRAME

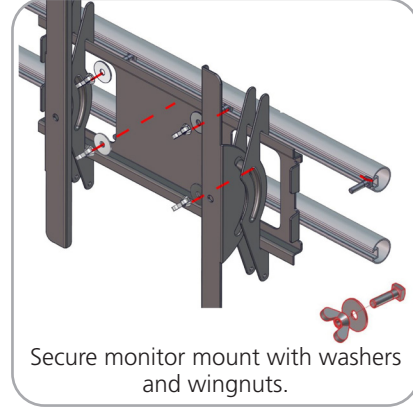


Open tube clamps and loosen wingnuts, position on accent frame, close then tighten wing nut.

STEP 4: INSTALL MONITOR MOUNT

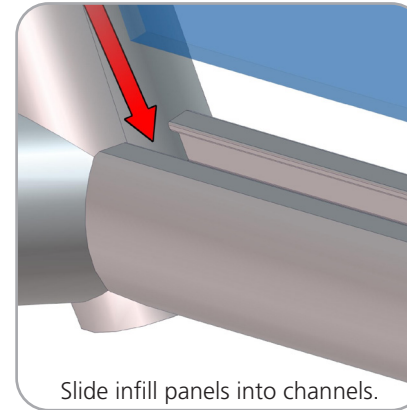


Slide bolts into tube channel. Center monitor mount on hardware.



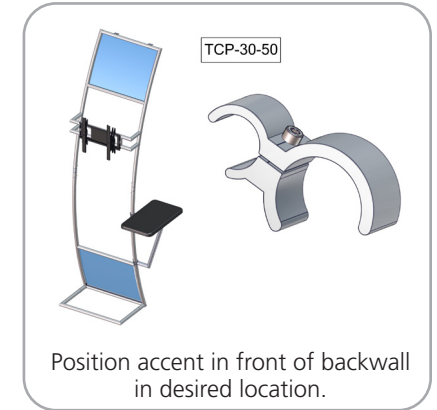
Secure monitor mount with washers and wingnuts.

STEP 5: ATTACH GRAPHICS

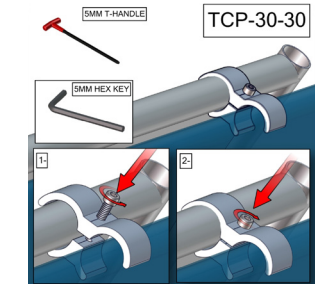
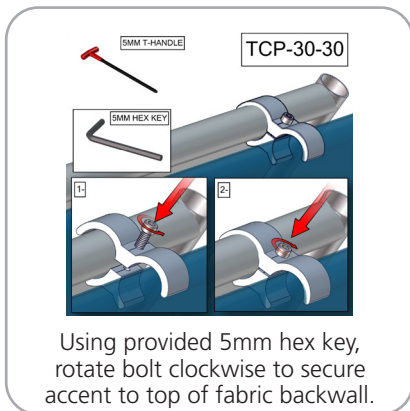


Slide infill panels into channels.

STEP 6: ATTACH TO BACKWALL WITH CLAMPS



Position accent in front of backwall in desired location.



Using provided 5mm hex key, rotate bolt clockwise to secure accent to top of fabric backwall.



Unit is complete.

Monitor Bracket Instructions

Extrusion Channel Applications



EXT-SM-MB

Sizes: 17" - 37"

Max weight varies per application



EXT-M-MB

Sizes: 32" - 55"

Max weight varies per application

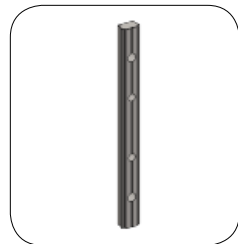


EXT-LG-MB

Sizes: 40" - 65"

Max weight varies per application

Included hardware:



LN-100

x2



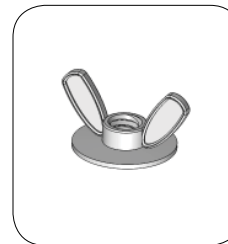
LN-LCD-SCW

x2



Square Bolt

x2

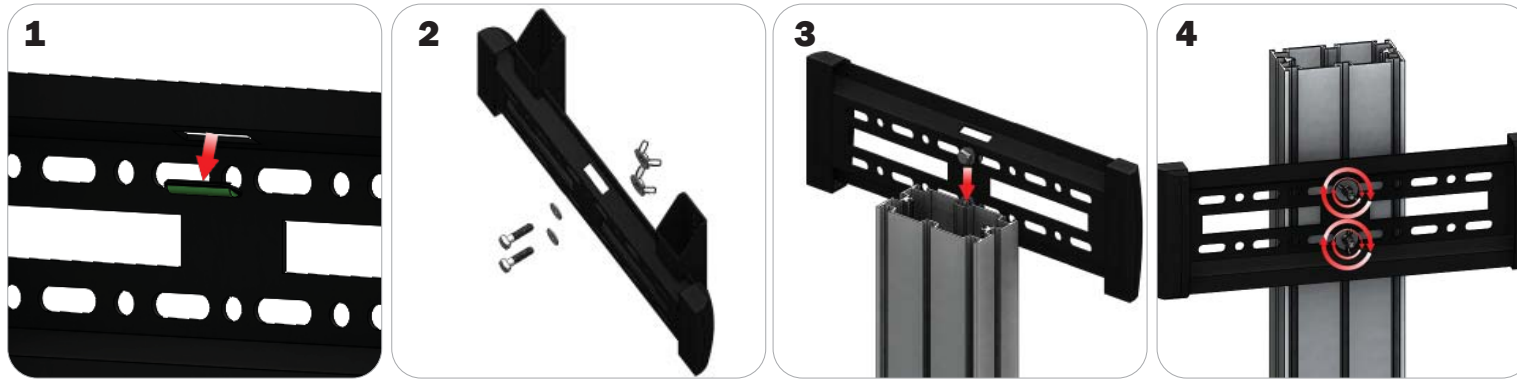


Wingnut

x2

EXTRUSION CONNECTION

Channel Connection A

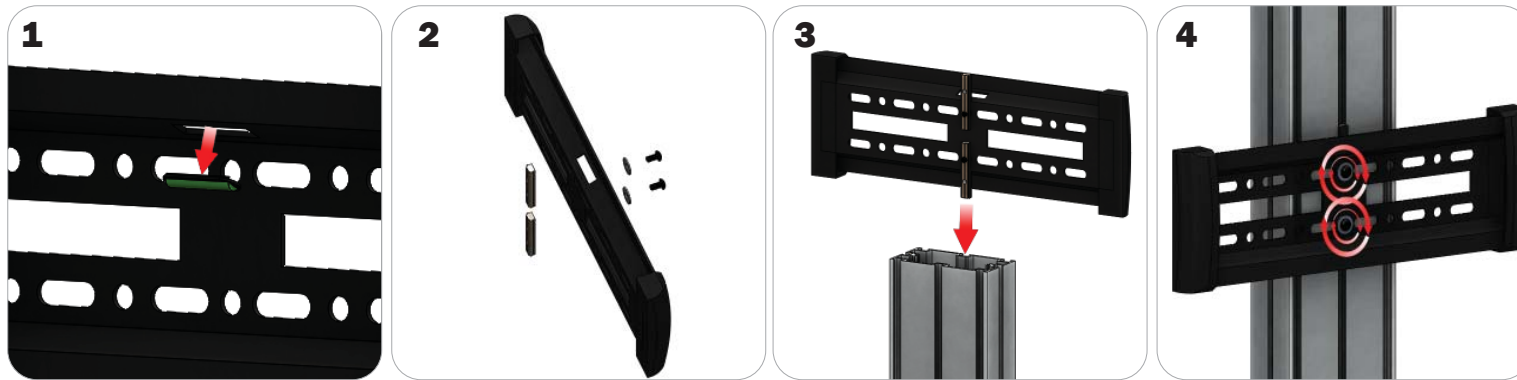


Locate all components needed to assemble the monitor mount with the channel connection A method. You will need (1) monitor bracket, (2) square head bolts, (2) washers, and (2) wingnuts.

Step 1: Apply pressure to the rear side of the leveling gauge clipped into the monitor mount to remove it. **Step 2:** Insert the provided bolts through the washers and center top and bottom holes of the monitor mount. Loosely thread your wingnuts onto the end of the bolts. **Step 3:** Slide the bolt heads down the extrusion channel.

Step 4: Tighten your wingnuts to lock the monitor bracket in place. **Step 5:** Reference the included manufacturer monitor mount instructions for fastening your monitor to the bracket.

Channel Connection B



Locate all components needed to assemble the monitor mount with the channel connection B method. You will need (1) monitor bracket, (2) LN-LCD-SCW, (2) LN-100, and (2) washers.

Step 1: Apply pressure to the rear side of the leveling gauge clipped into the monitor mount to remove it. **Step 2:** Loosely thread the LN-LCD-SCW screws through the washers, the center top and bottom holes of the monitor bracket, and through the LN-50 holes. **Step 3:** Slide the LN-100s down the extrusion channel. **Step 4:** Tighten your LN-LCD-SCW to lock the monitor bracket in place.

Step 5: Reference the included manufacturer monitor mount instructions for fastening your monitor to the bracket.

TRI-30MM Channel Tube Connection



Locate all components needed to assemble the monitor mount with the TRI-30MM Channel Tube Connection method. You will need (1) monitor bracket, (2) Square Bolts, and (2) Wingnuts.

Step 1: Slip the head of the square bolts into the extrusion channel of the tube. **Step 2:** Apply your monitor bracket to the protruding square bolts. **Step 3:** Lock your monitor bracket to the square bolts using the provided wingnuts. **Step 4:** Reference the included manufacturer monitor mount instructions for fastening your monitor to the bracket.