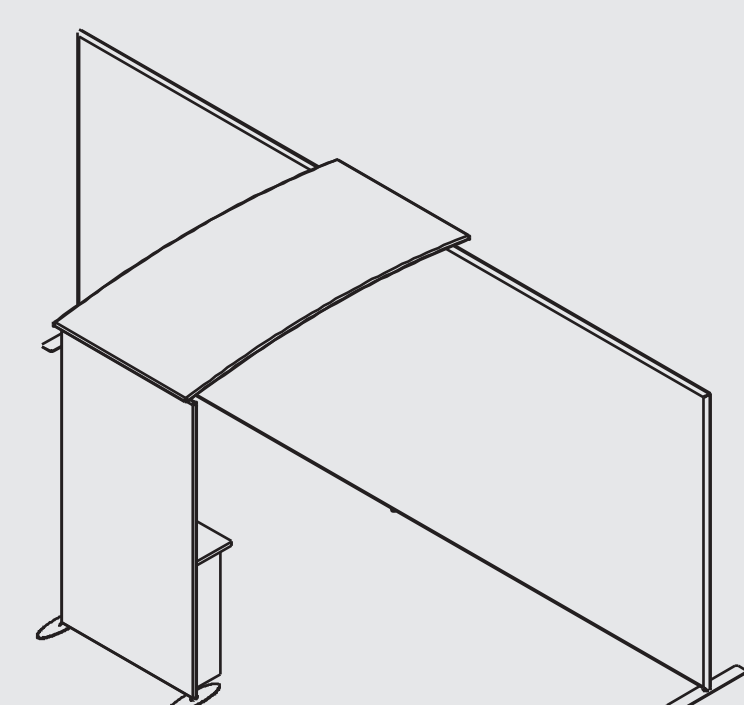


Formulate Backwall: Accent 06

Panel A - (2) prints to make (1) graphic:
Total Graphic Area: 52" w x 107.4" h
Total Finished Area: 48" w x 103.4" h



Panel B - (2) prints to make (1) graphic:
Total Graphic Area: 52" w x 96" h
Total Finished Area: 48" w x 92" h

Please be sure to include a 2" bleed around the perimeter. DO NOT design any critical elements (text, logos, etc.) within 2" of the edge (gray area is recommended safe area).

General Art Guidelines:

- CMYK Color Mode
- All Solid Coated Pantone colors should be called out in the art as spot colors
- Embed all images and support files
- Resolution must be 200-240 ppi @ 1/2 size, 100-120 ppi @ 100% size
- All fonts must be created to outlines
- Do not scale artboard
- Background color/images must bleed to the edge of artboard
- Do not use spot colors from template in your artwork as they will not print

TOP
PANEL A

PANEL A
BOTTOM

**FRONT
PANEL B**

bleed area —
trim line —
safe area —

**BACK
PANEL B**

**COUNTER
OBSTRUCTION**