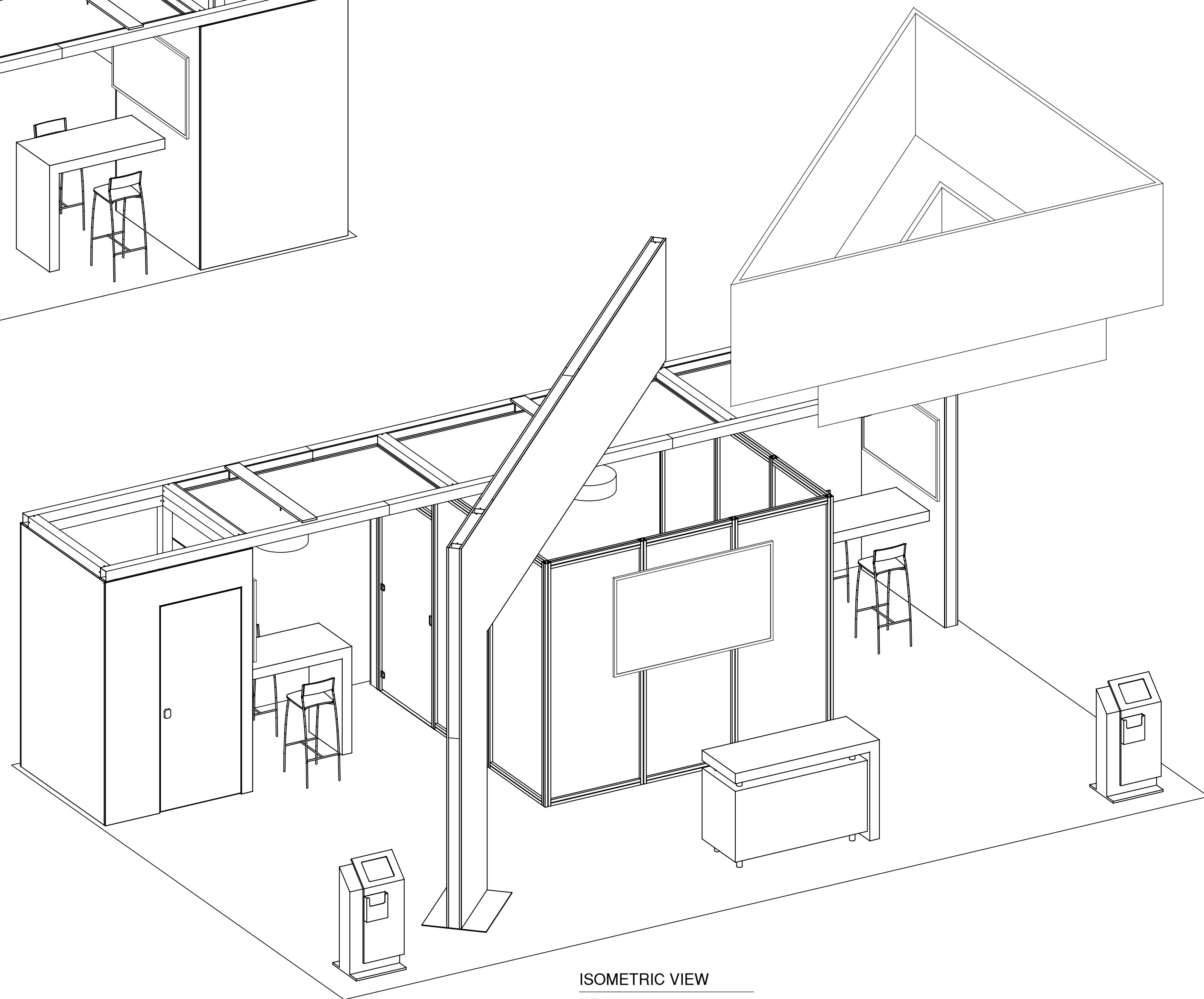
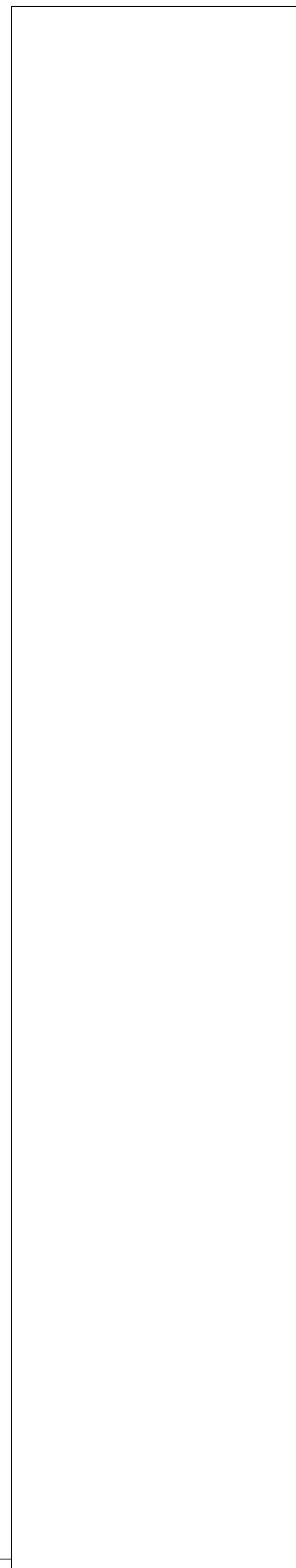
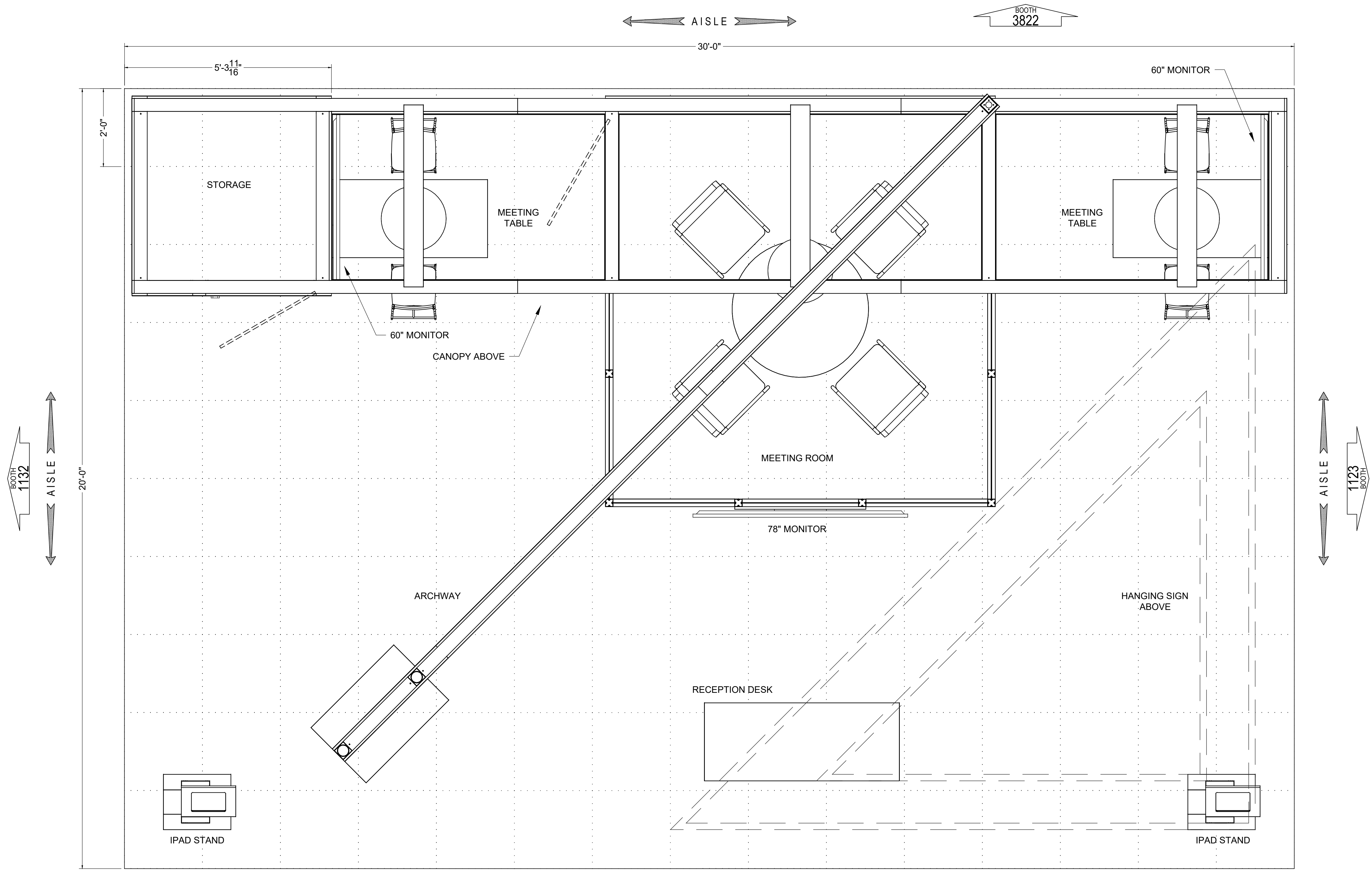


ISOMETRIC VIEW
N.T.S.

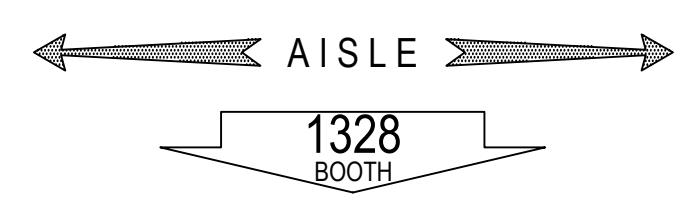


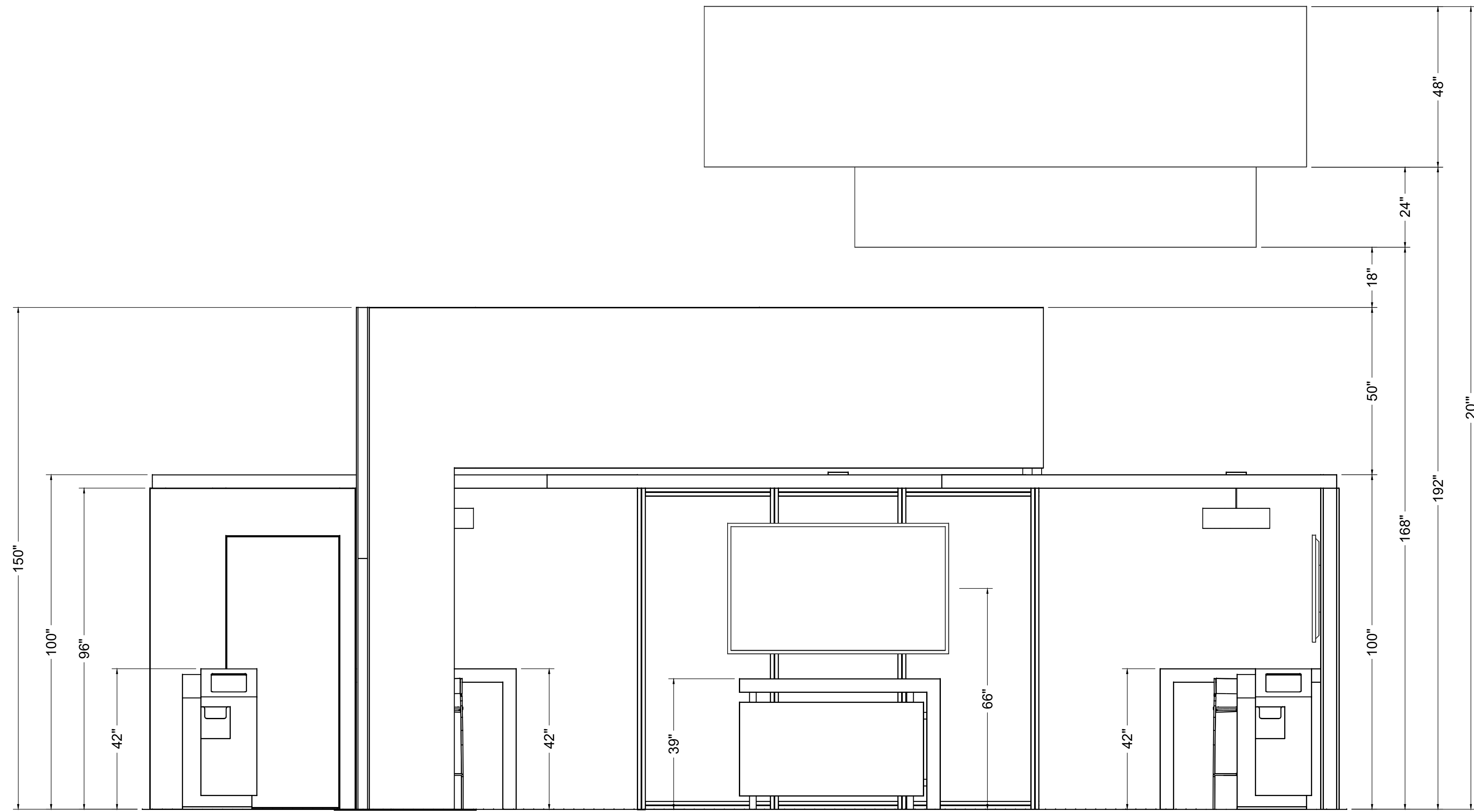
ISOMETRIC VIEW
N.T.S.



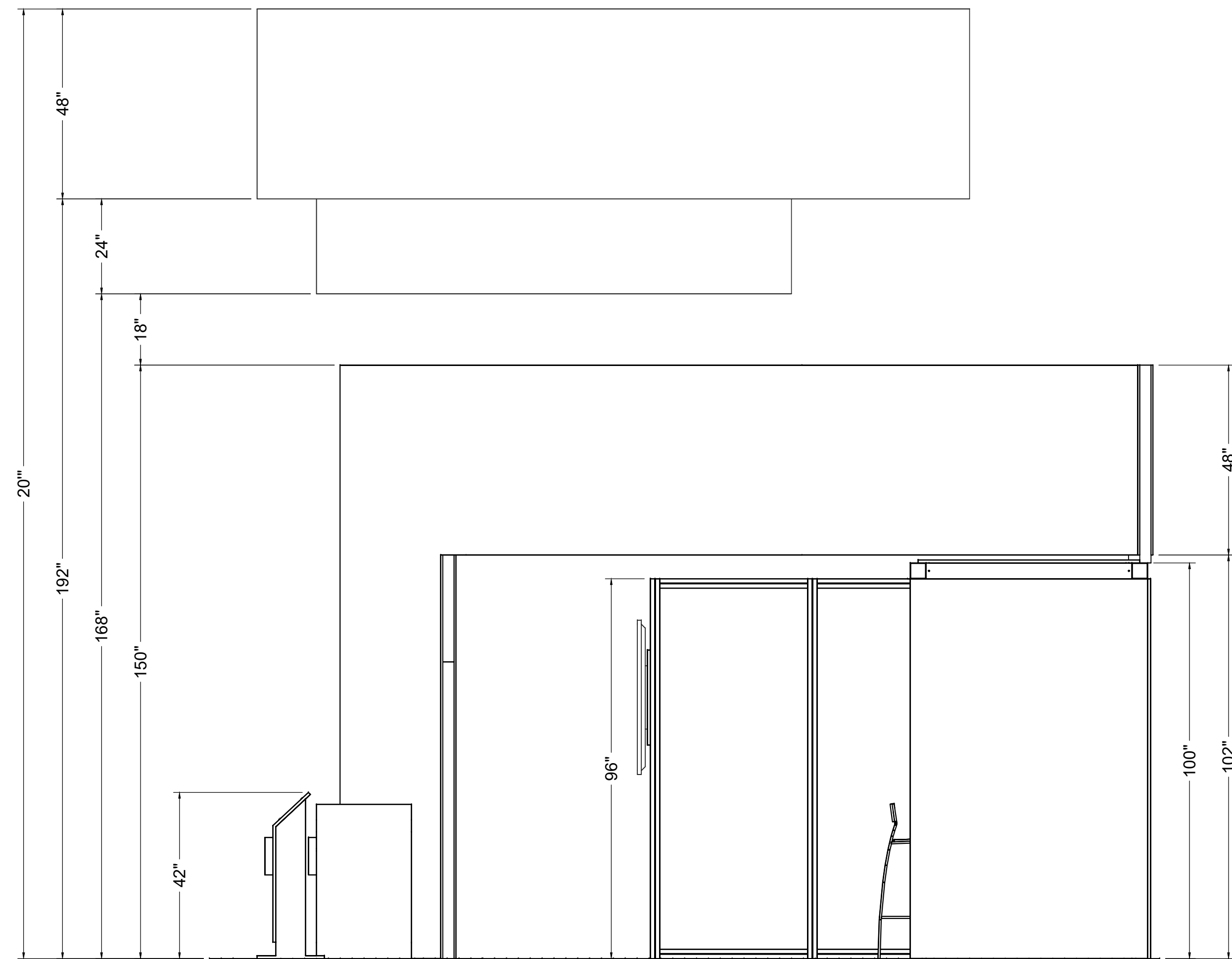


PLAN VIEW
 3/4"=1'-0"

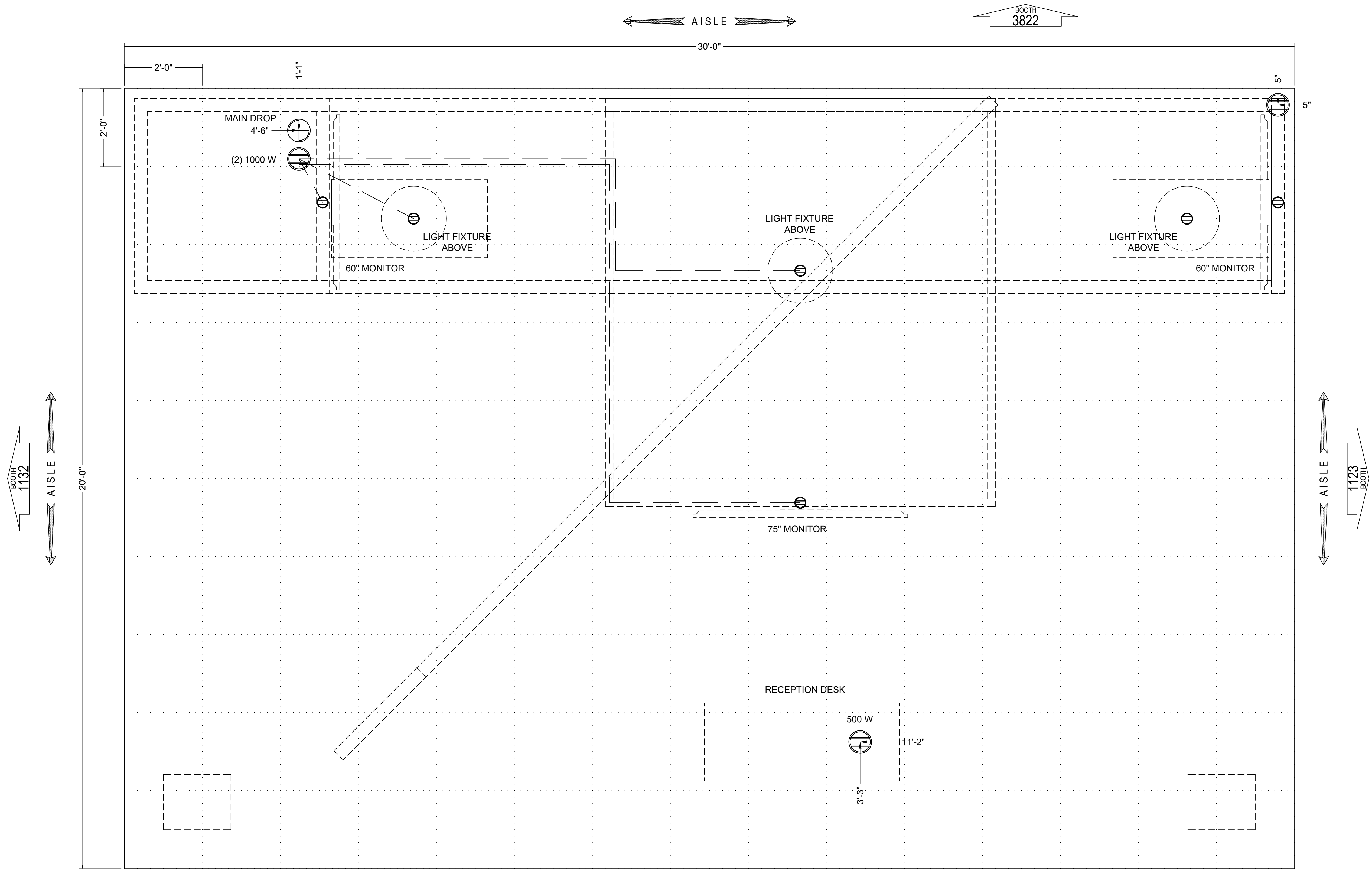




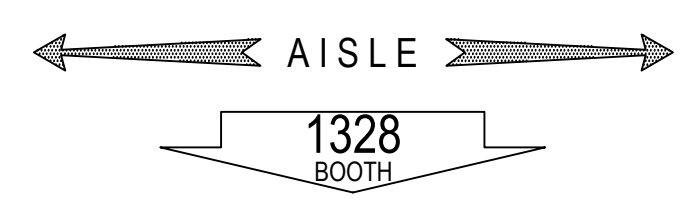
FRONT ELEVATION
1/2"=1'-0"



SIDE ELEVATION
1/2"=1'-0"



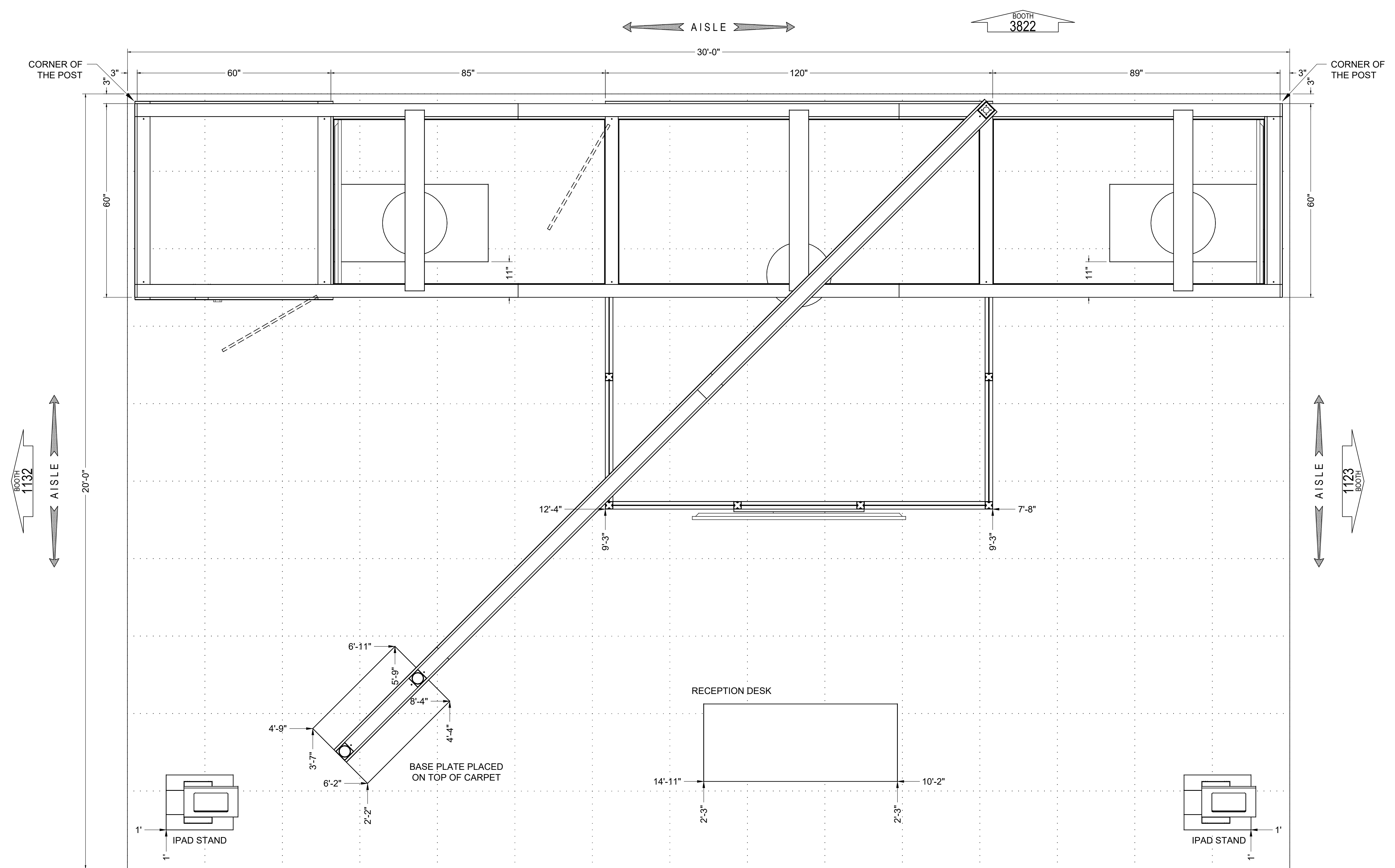
PLAN VIEW - ELECTRICAL
 3/4"=1'-0"



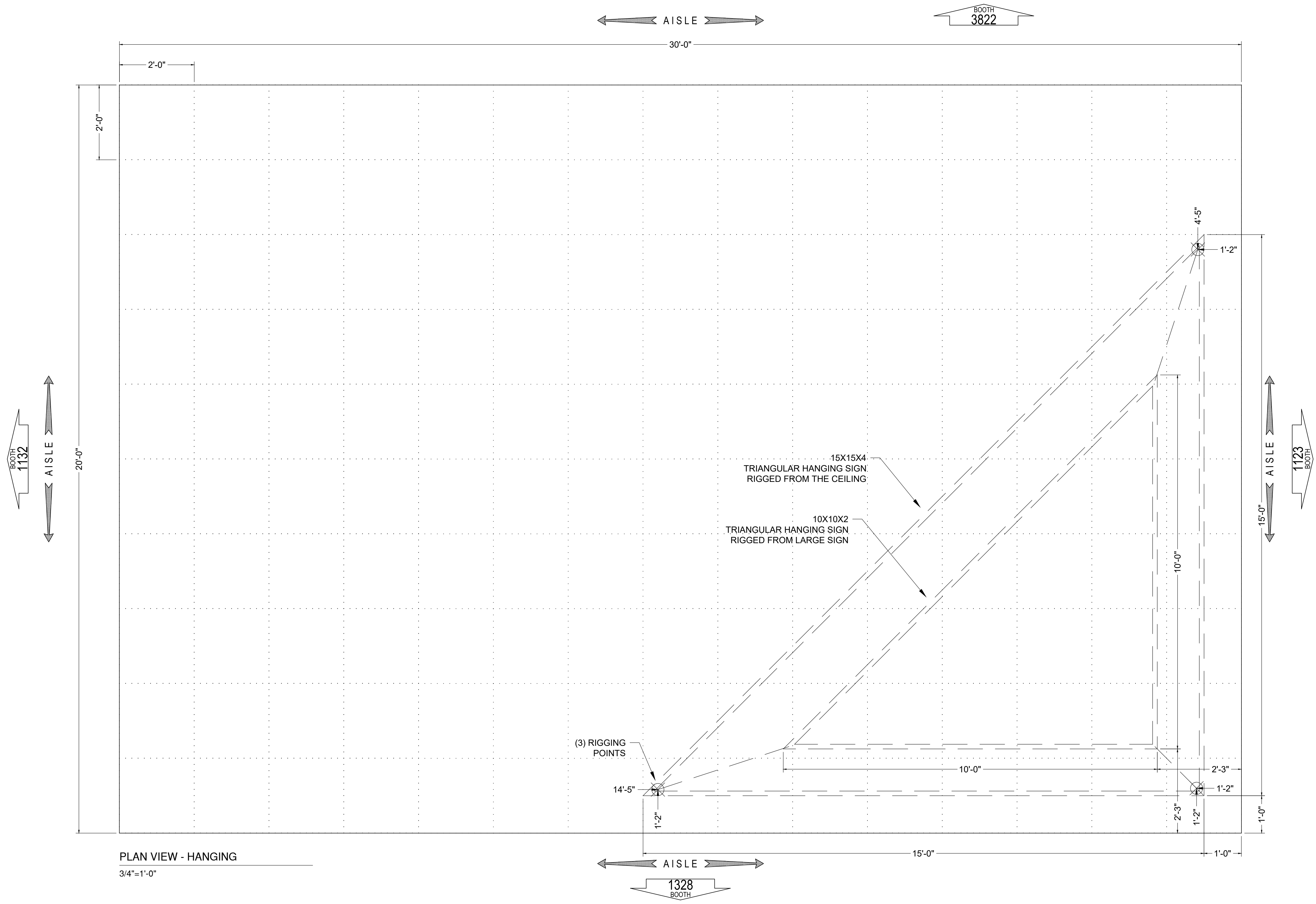


PLAN VIEW - CARPET & BASE PLATE

3/4"=1'-0"



PLAN VIEW
3/4"=1'-0"



PLAN VIEW - HANGING
 3/4"=1'-0"

Specifications:

- All Bolts Shall be A307 5/16"-18 Stn. Steel
- All Welding Must be in Accordance with A.W.S. Standards
- All Rigging Provided by Others Unless Noted Otherwise
- All Eyebolts with Shoulder are Hot Dip Galvanized

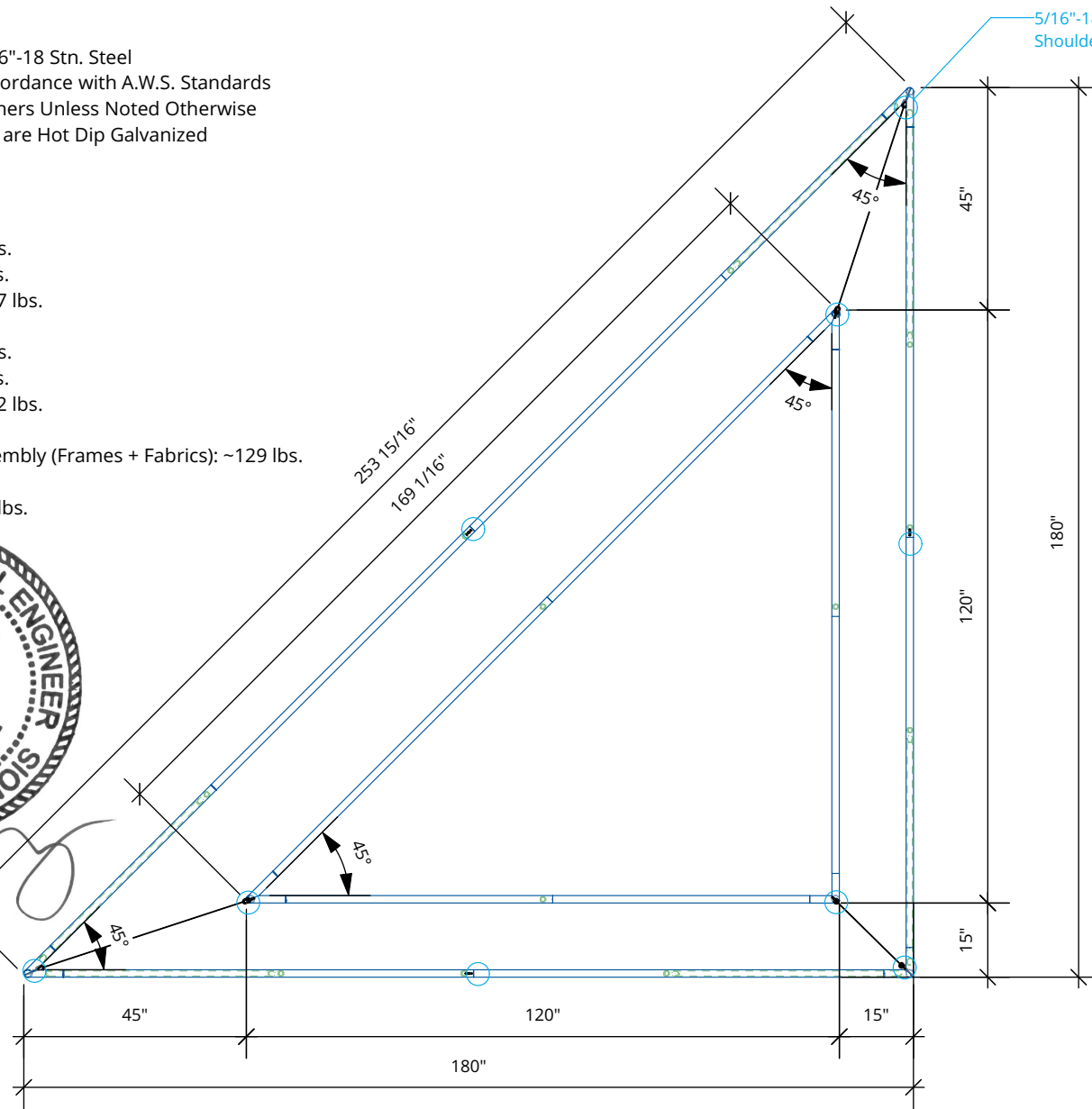
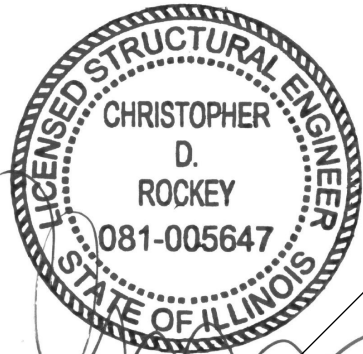
Weight Calculations:

Frame (Item 16382) : ~52 lbs.
 Fabric (Item 16382) : ~35 lbs.
 Total (Frames + Fabrics): ~87 lbs.

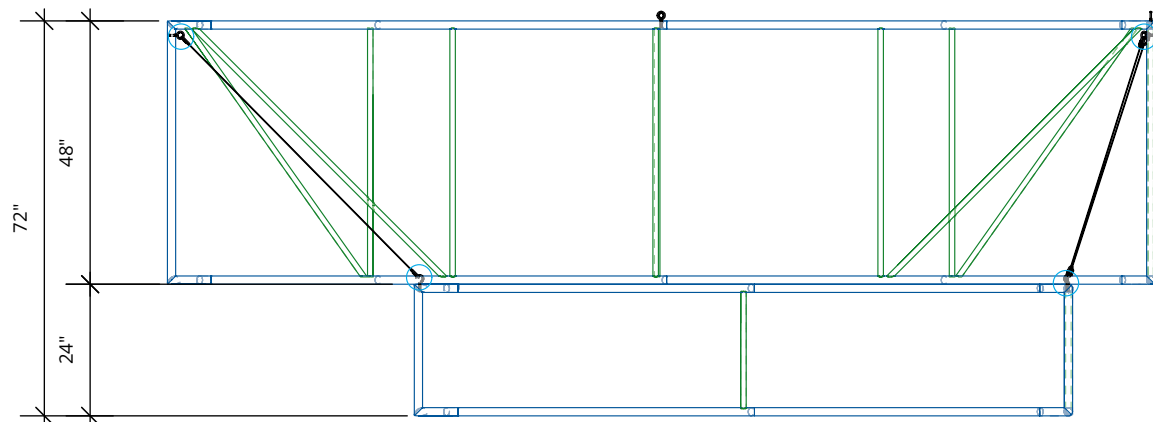
Frame (Item 16384) : ~28 lbs.
 Fabric (Item 16384) : ~14 lbs.
 Total (Frames + Fabrics): ~42 lbs.

Total Weight of Overall Assembly (Frames + Fabrics): ~129 lbs.

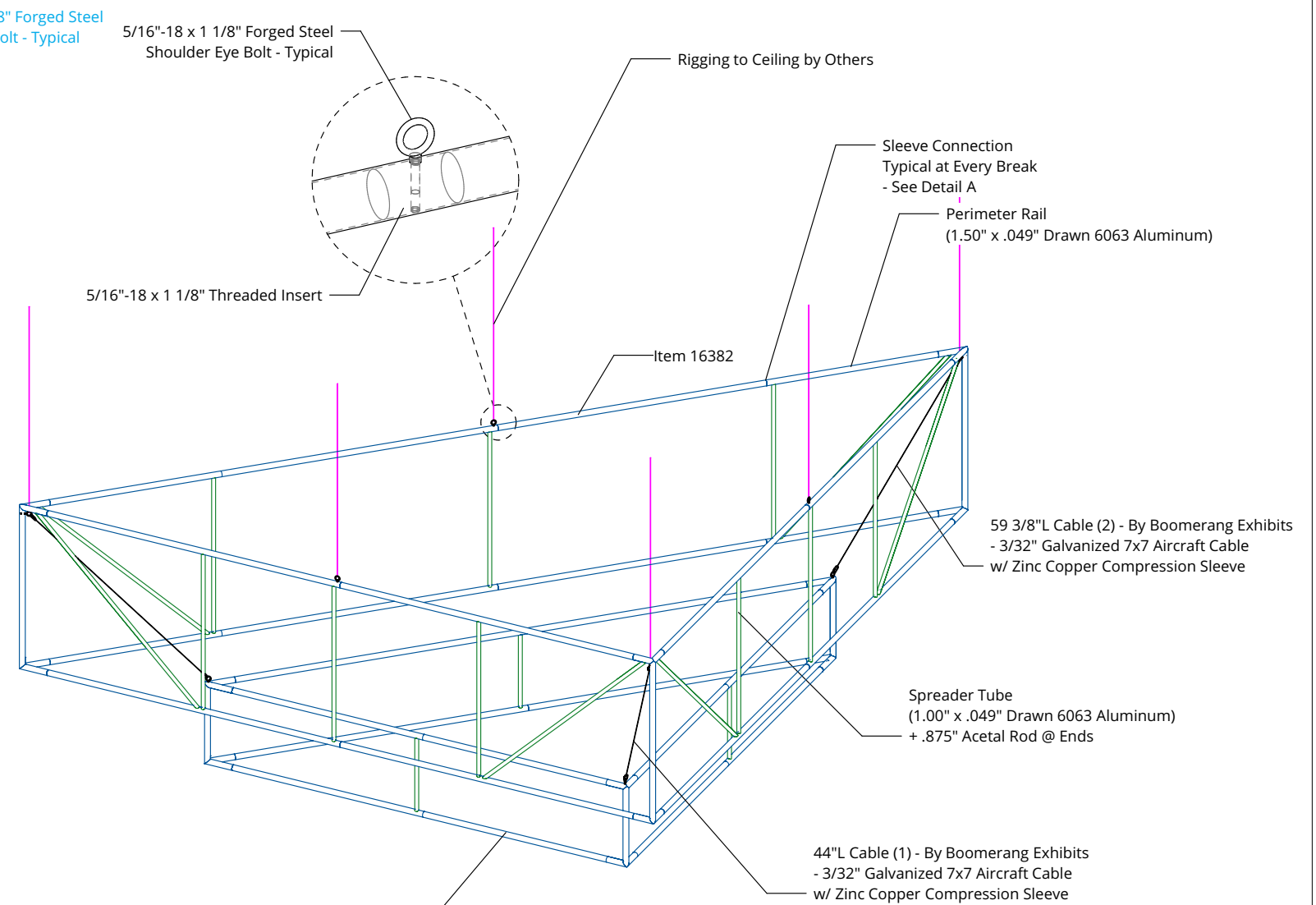
Weight Per Pick Point: 21.5 lbs.



Top View

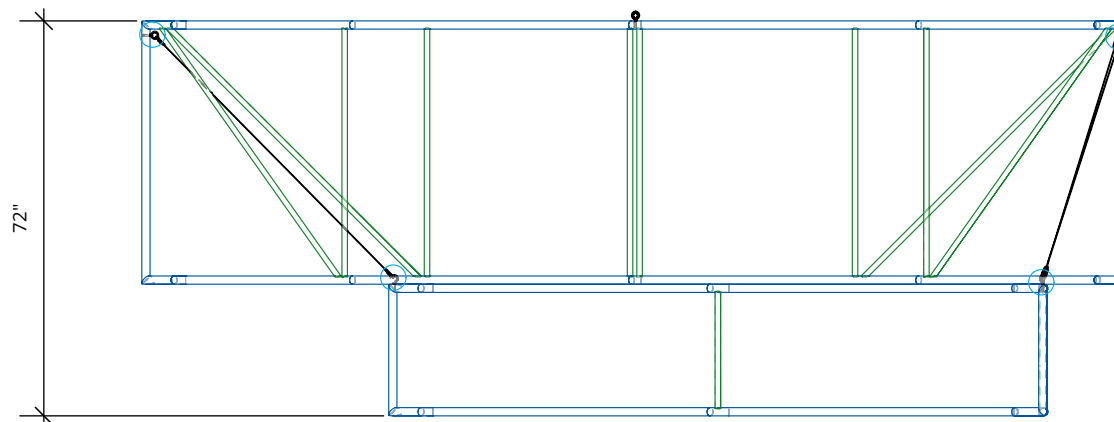


Front Elevation View

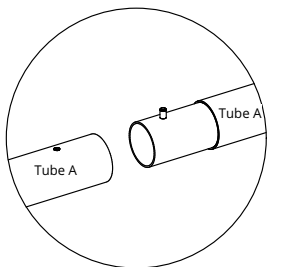


**Perspective View
 Make 1 (one) Frame Assembly**

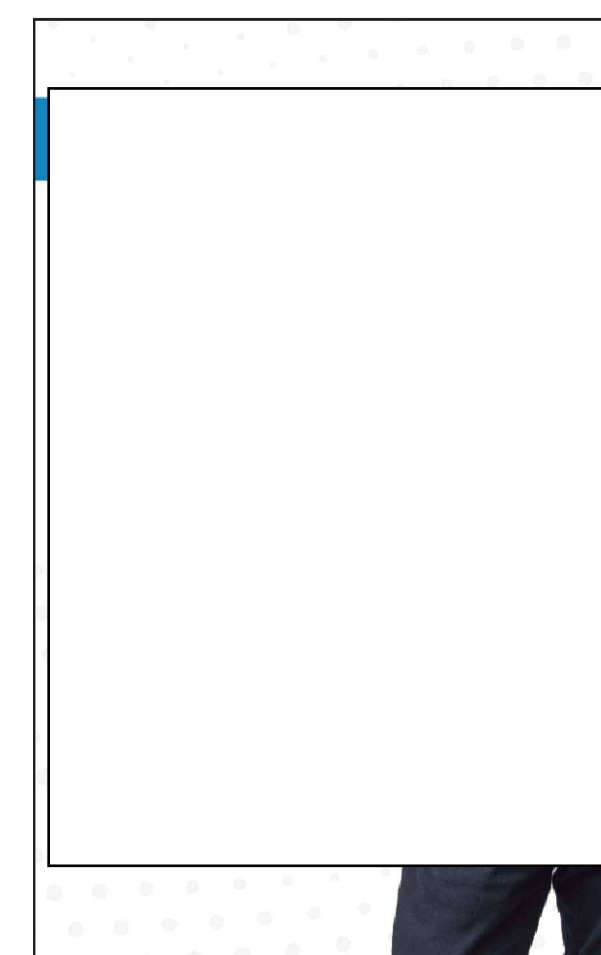
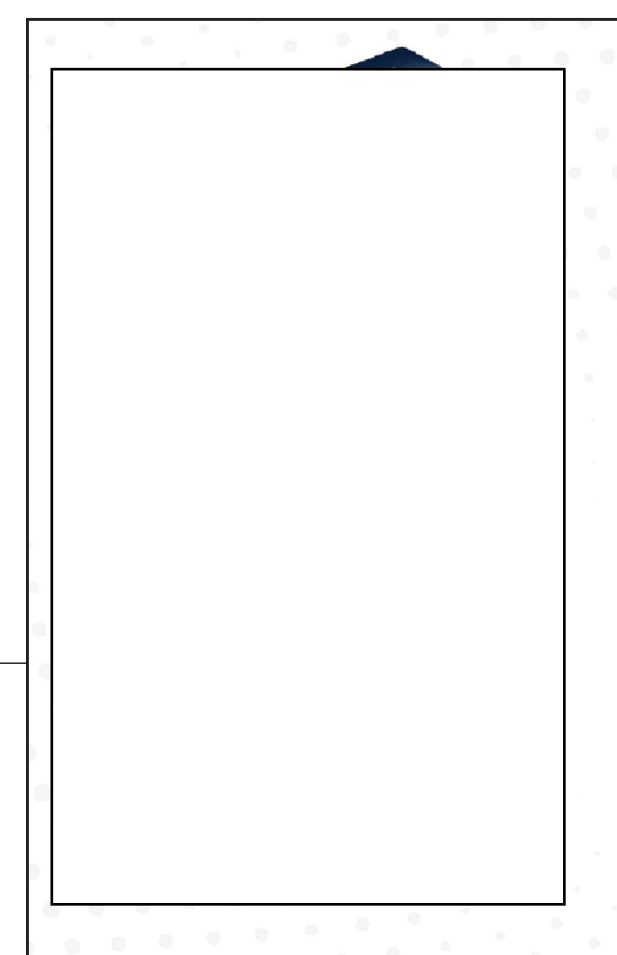
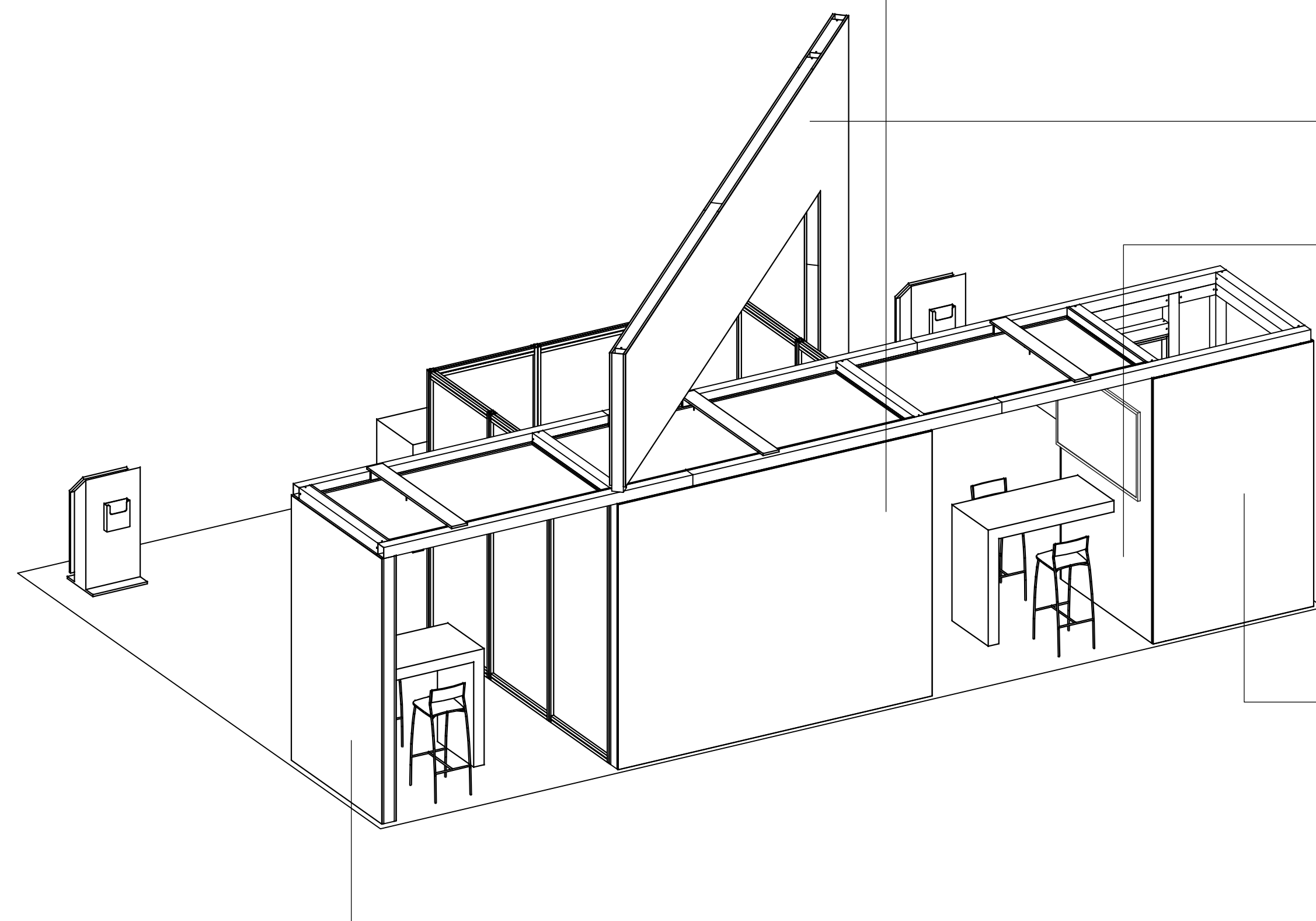
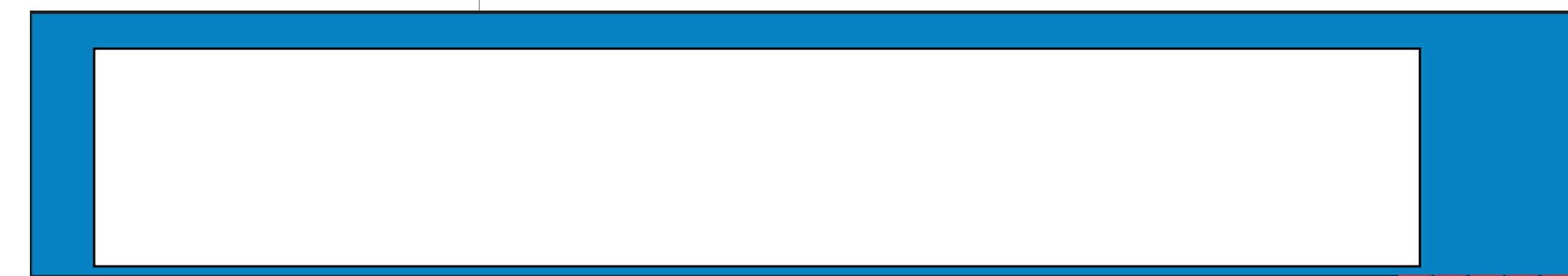
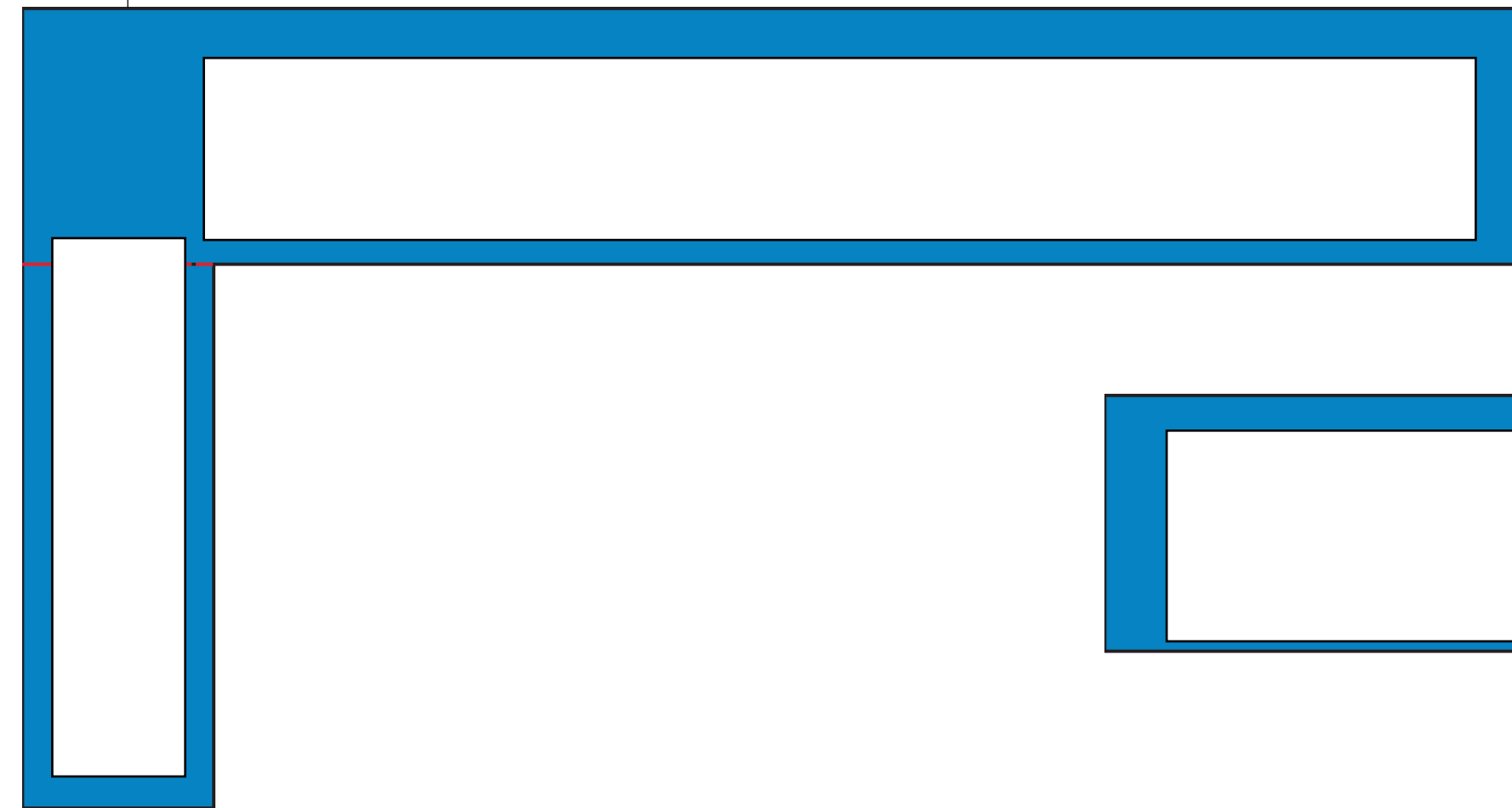
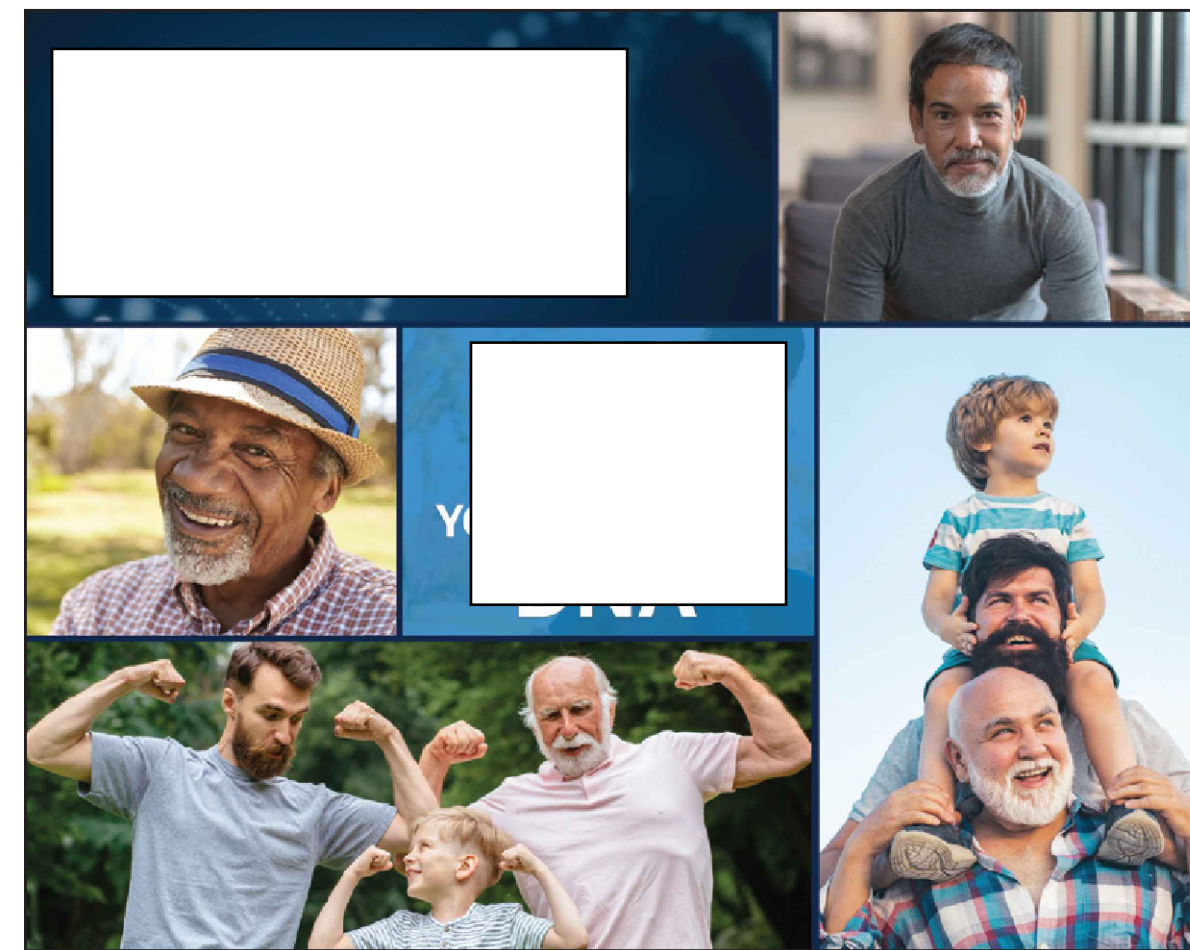
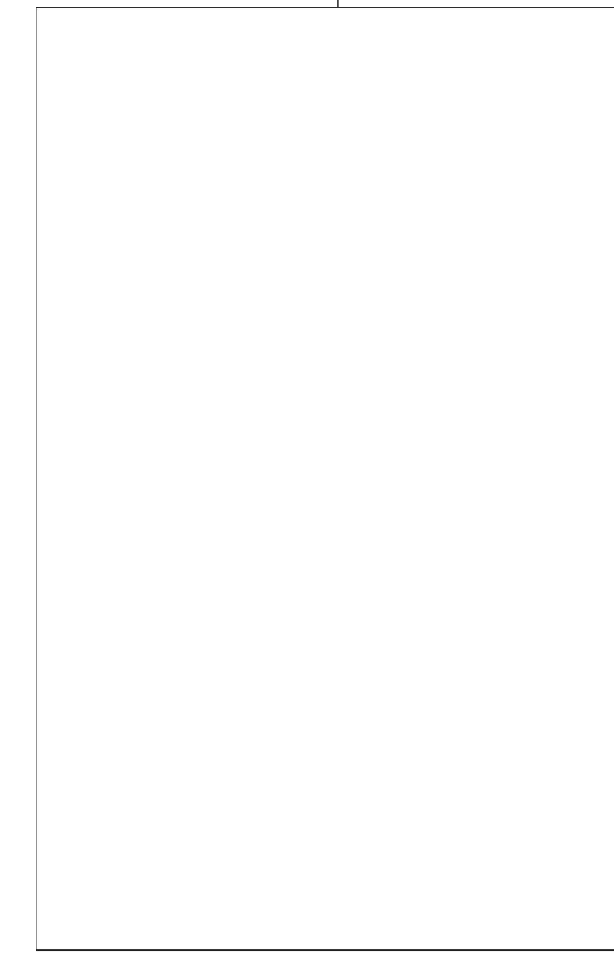
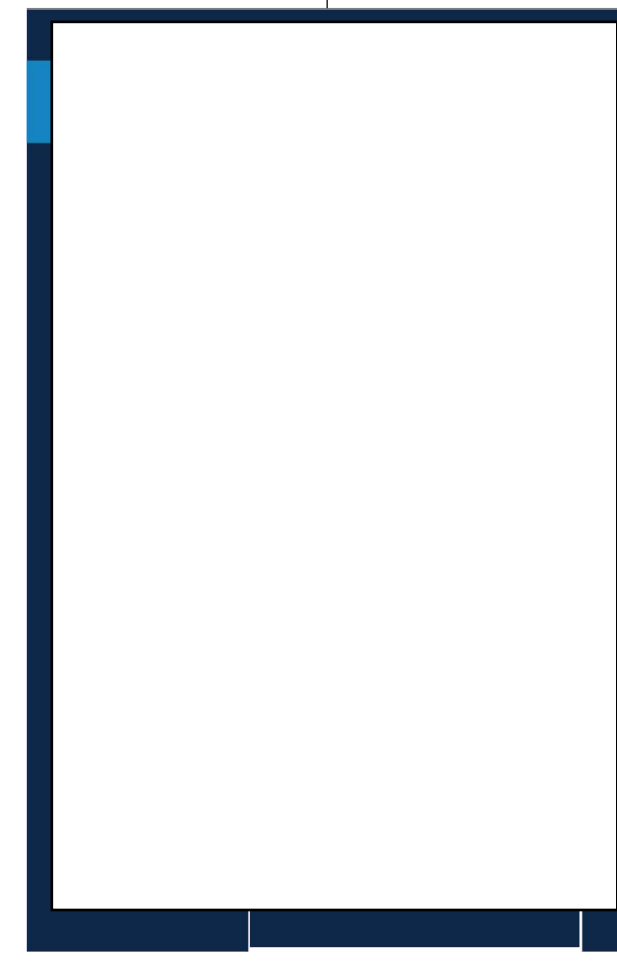
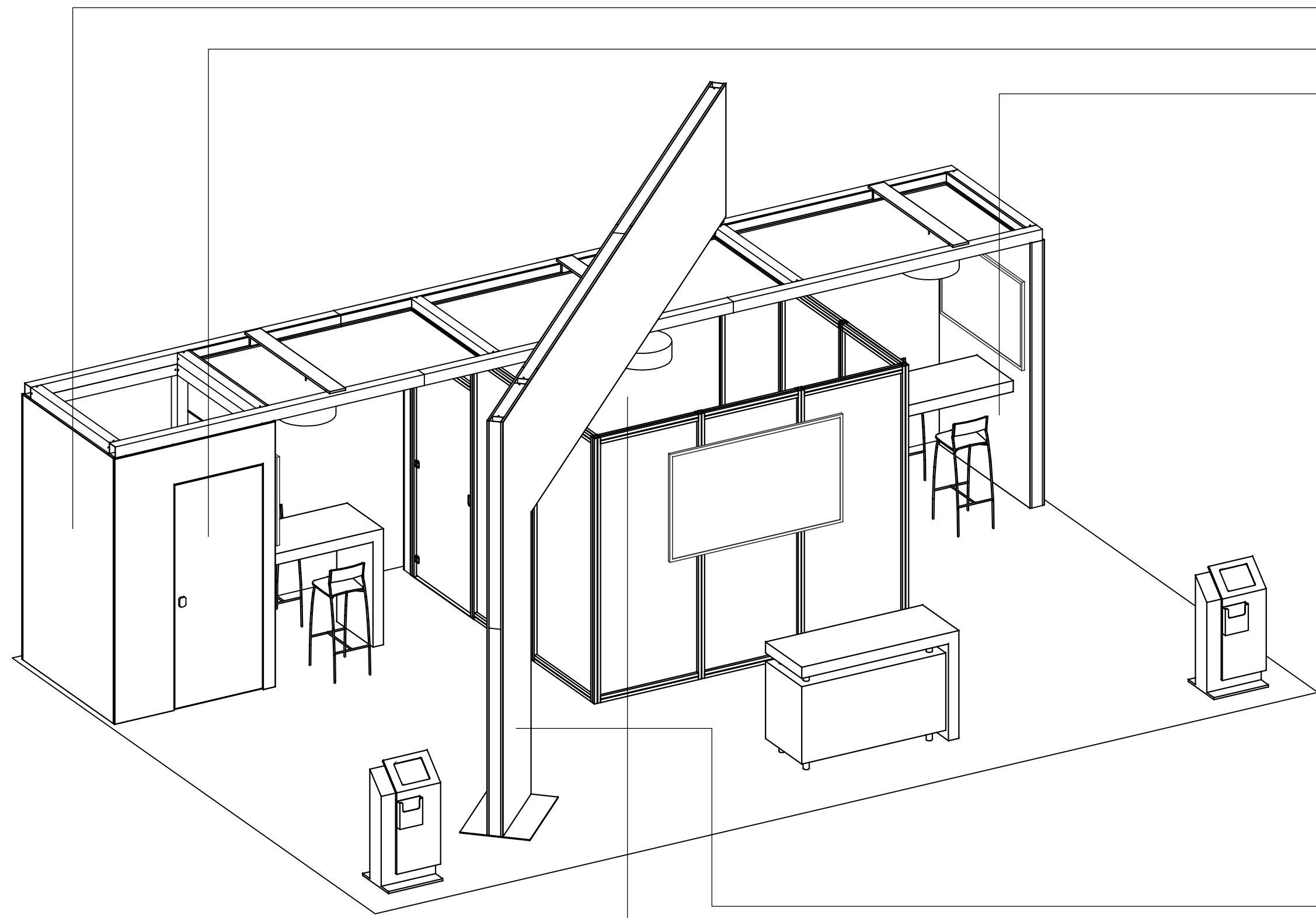
- 1.50" OD Tube
- 1.00" OD Tube



Side Elevation View

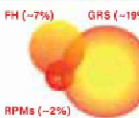


DETAIL A
 Sleeve Connection
 (1.875" x .049" Drawn 6063 Aluminum)
 + 3/8" Spring Steel Snap Button



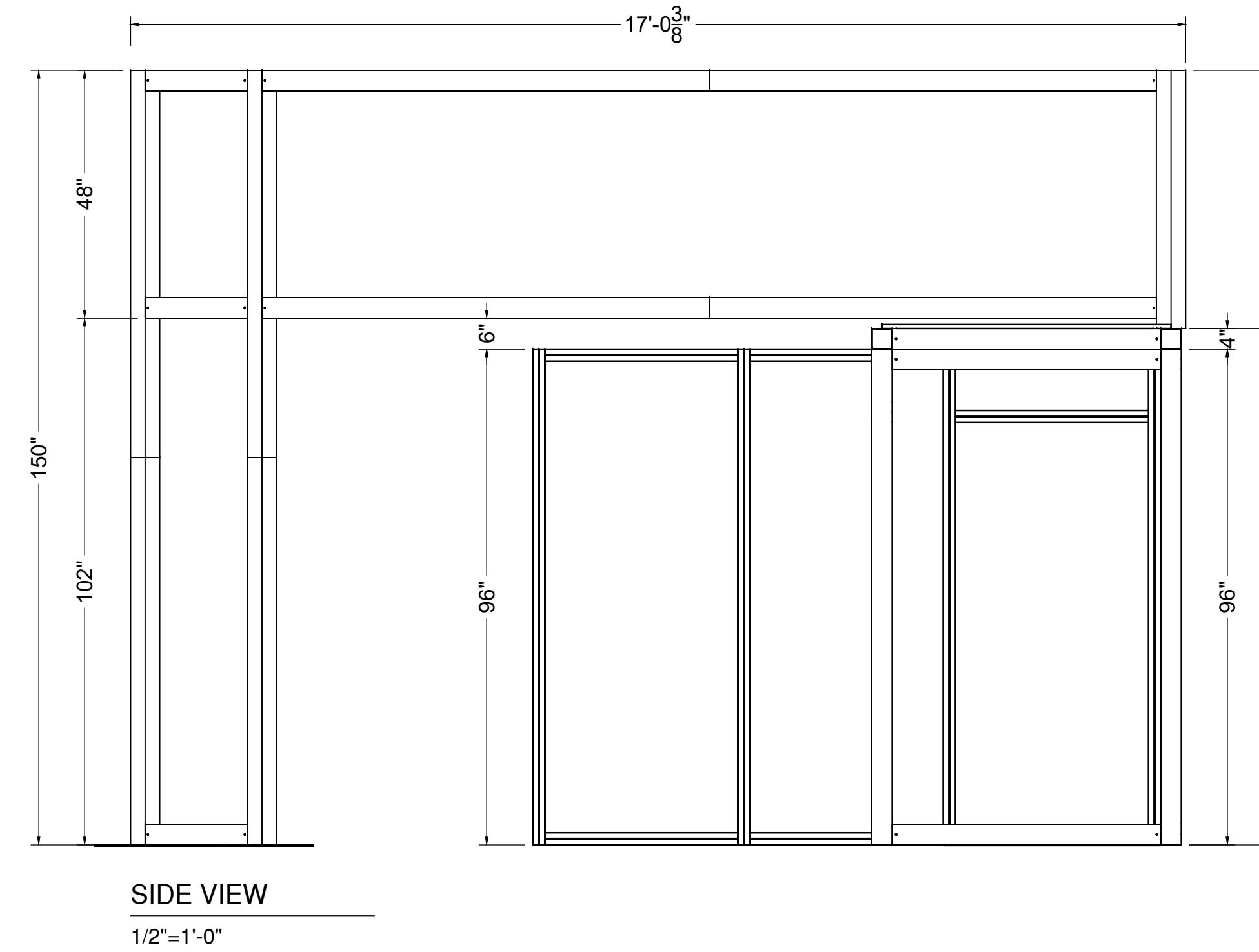
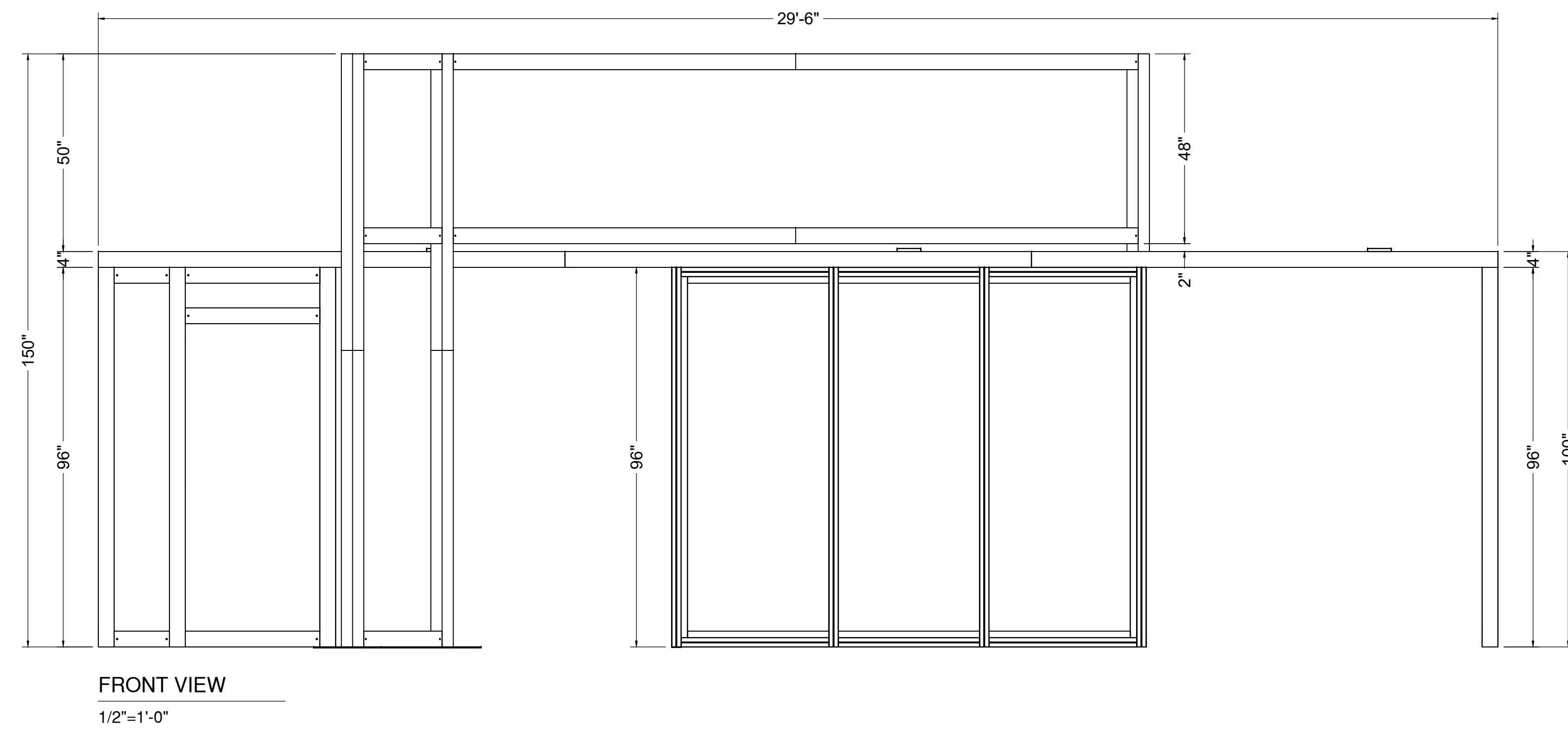
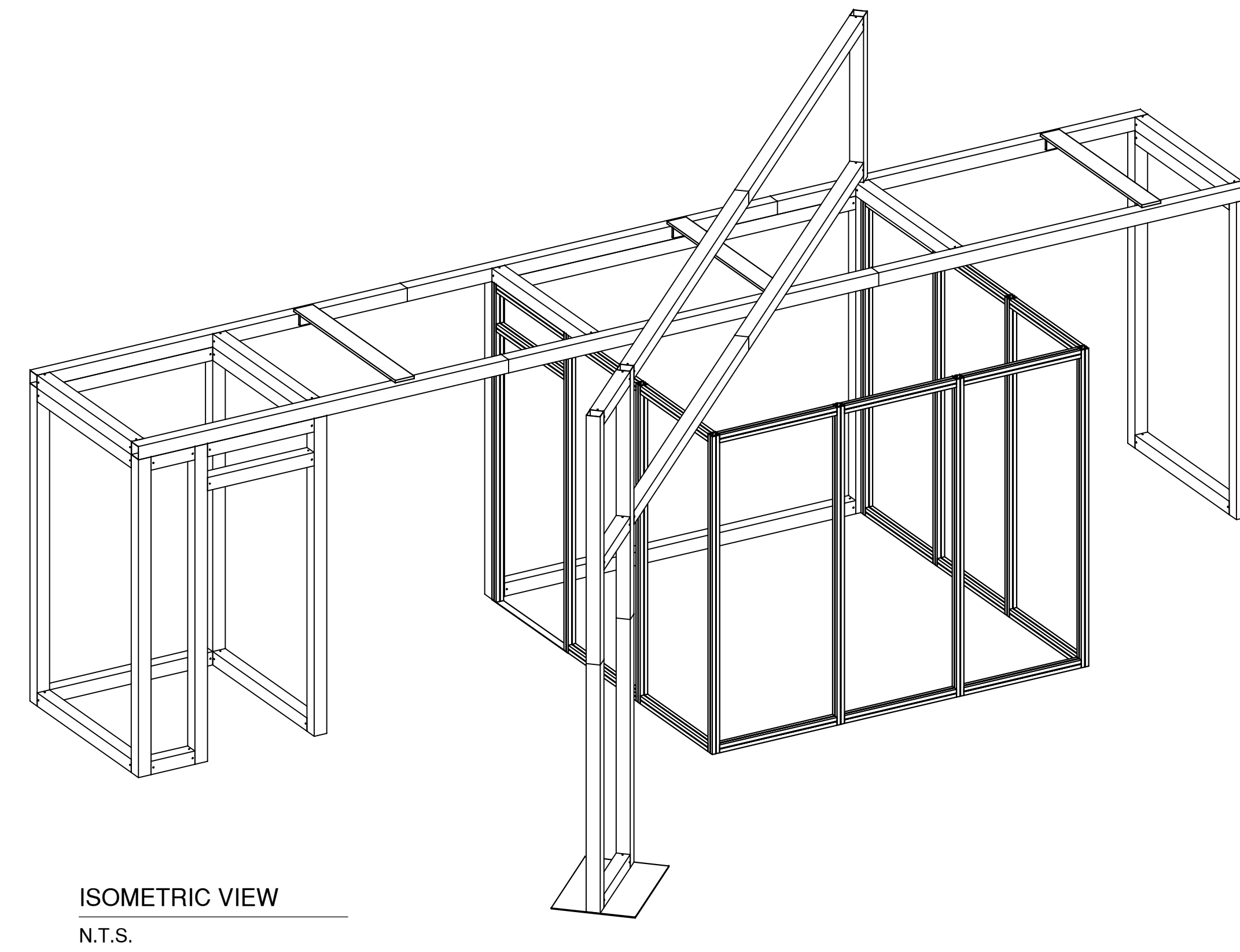
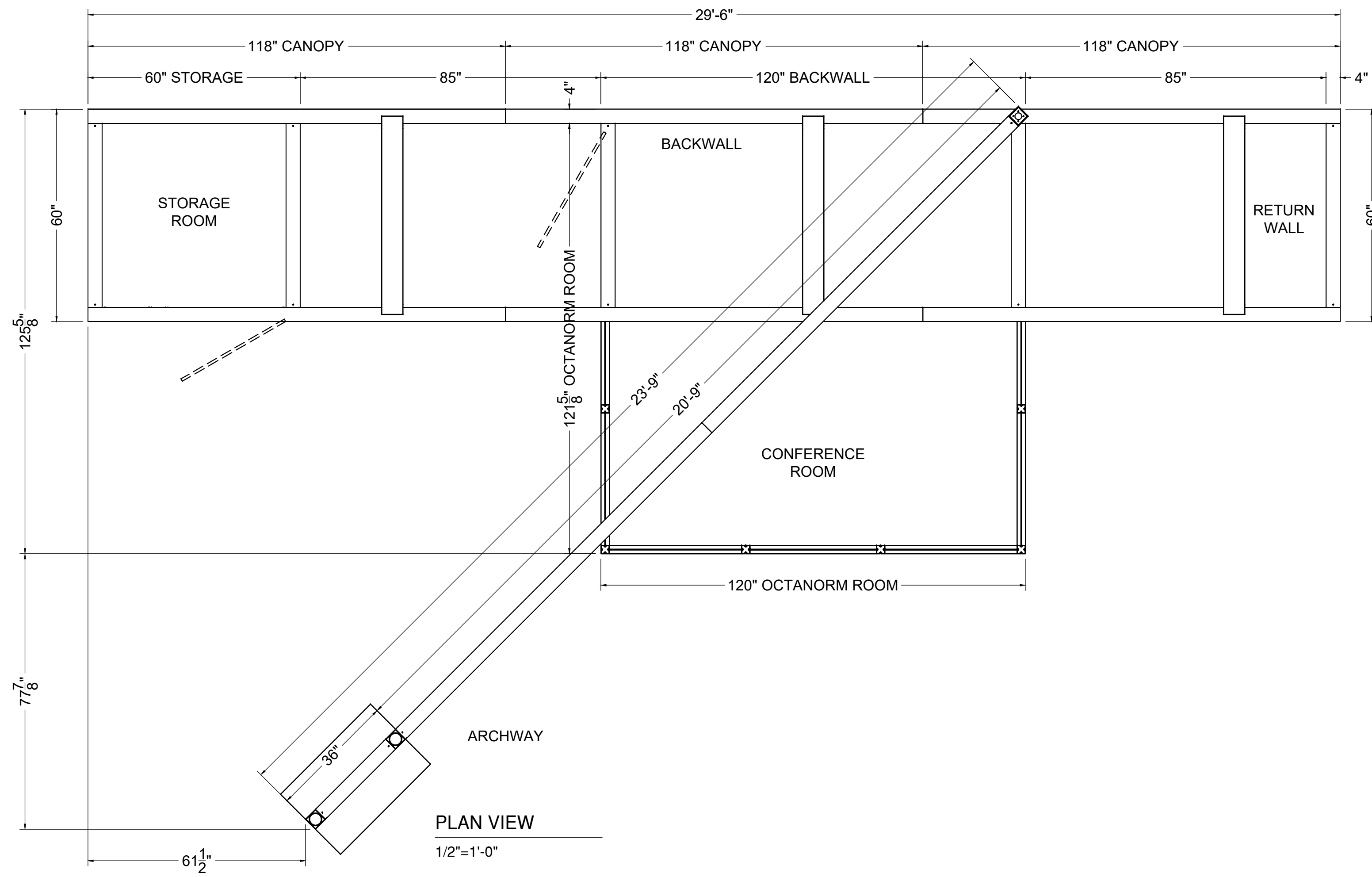
METHODS TO MEASURE INHERITED RISK

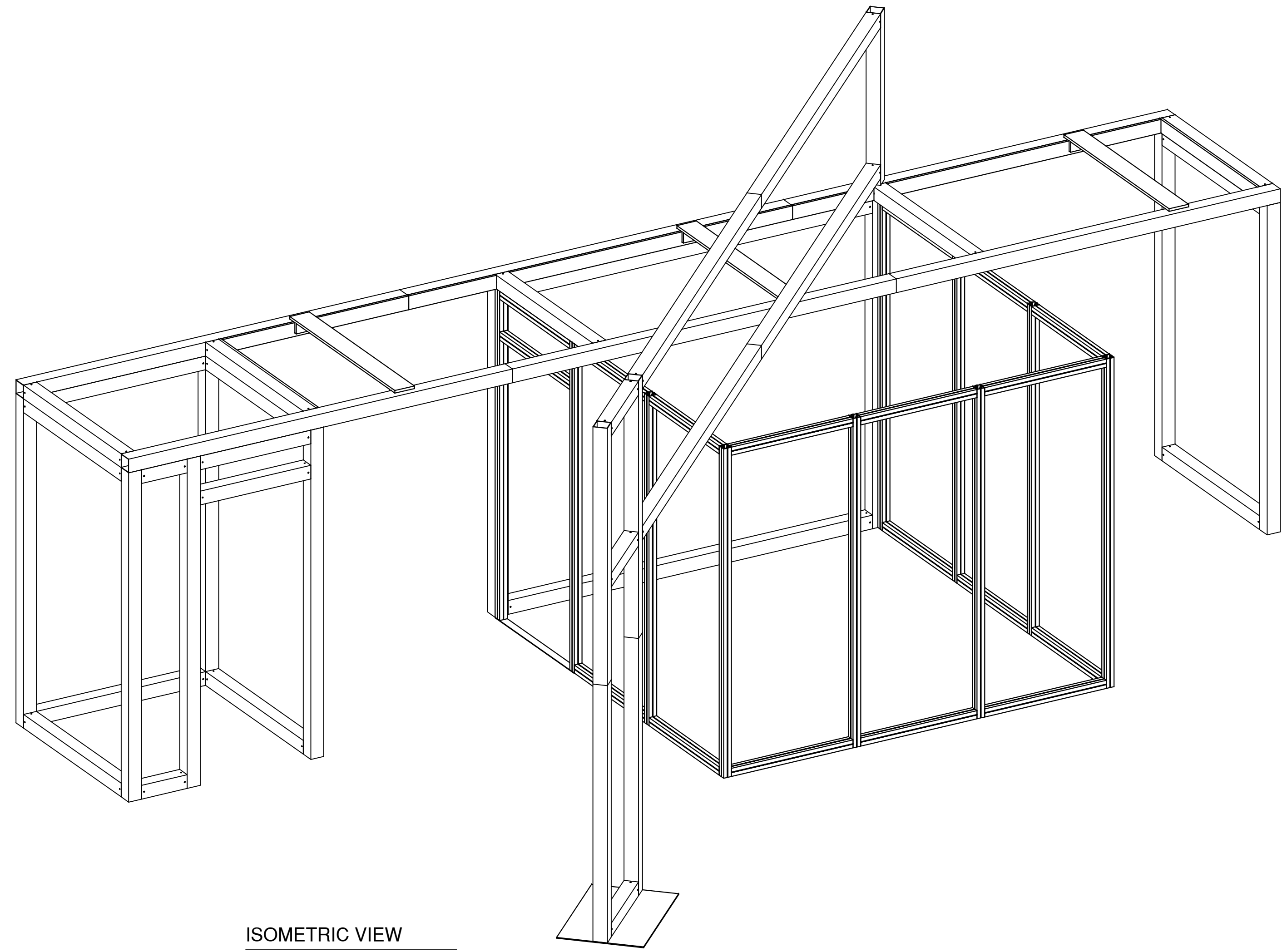
High Risk Men for Prostate Cancer



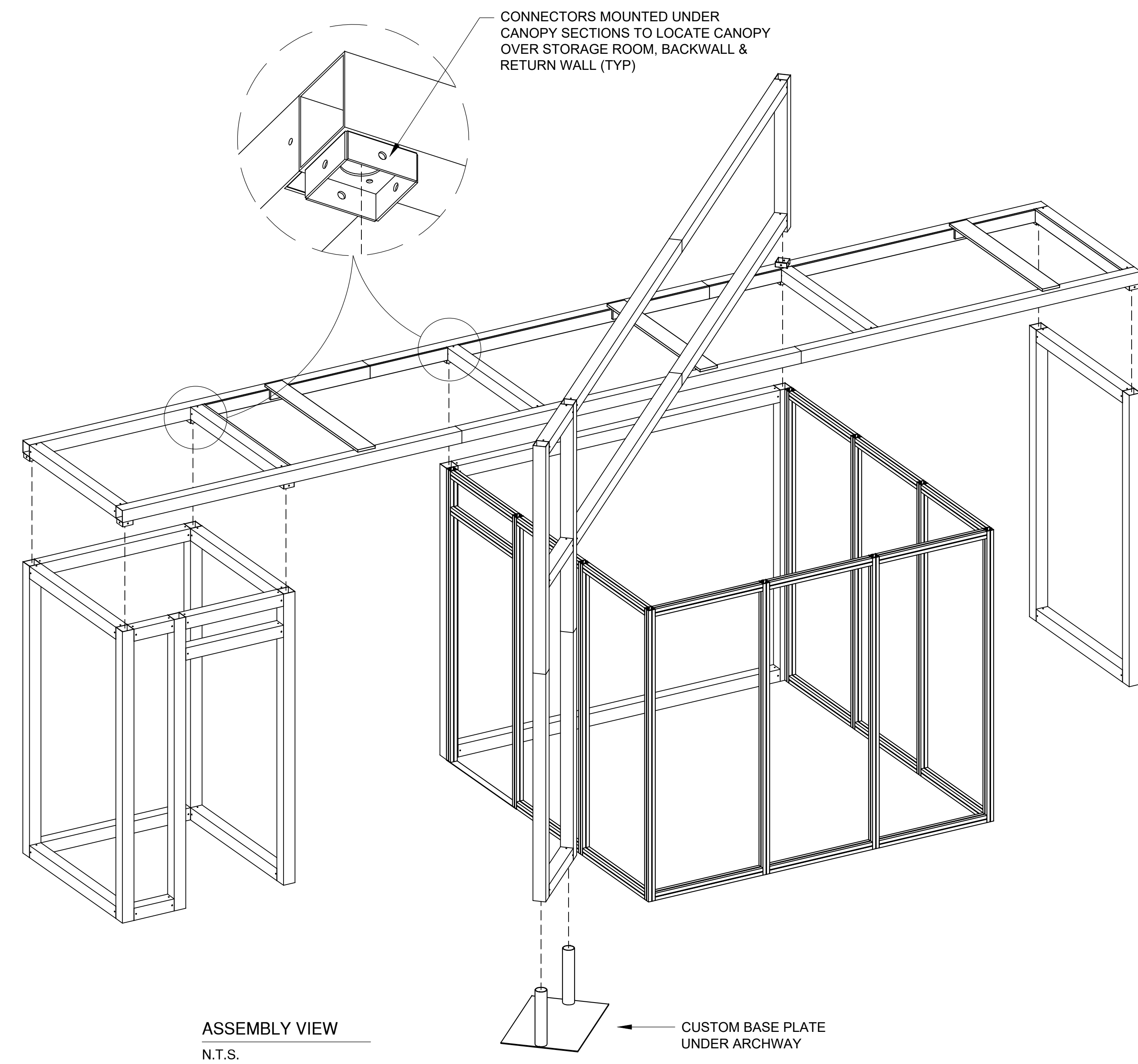
10/10/2018

The use of this data indicates the presence of inherited risk factors for prostate cancer. The data is used to identify men who are at a higher risk of developing prostate cancer.





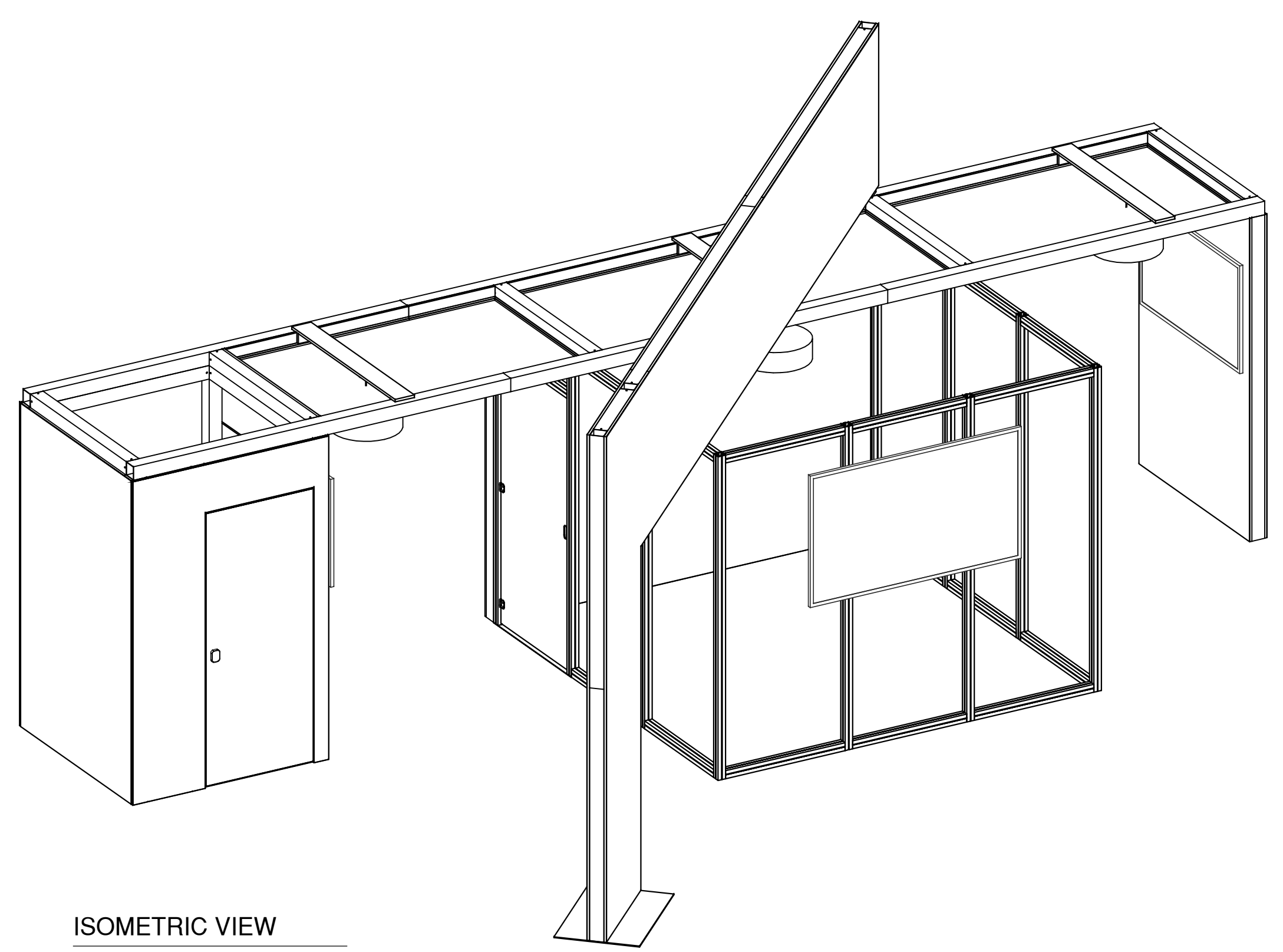
ISOMETRIC VIEW
N.T.S.



CONNECTORS MOUNTED UNDER
CANOPY SECTIONS TO LOCATE CANOPY
OVER STORAGE ROOM, BACKWALL &
RETURN WALL (TYP)

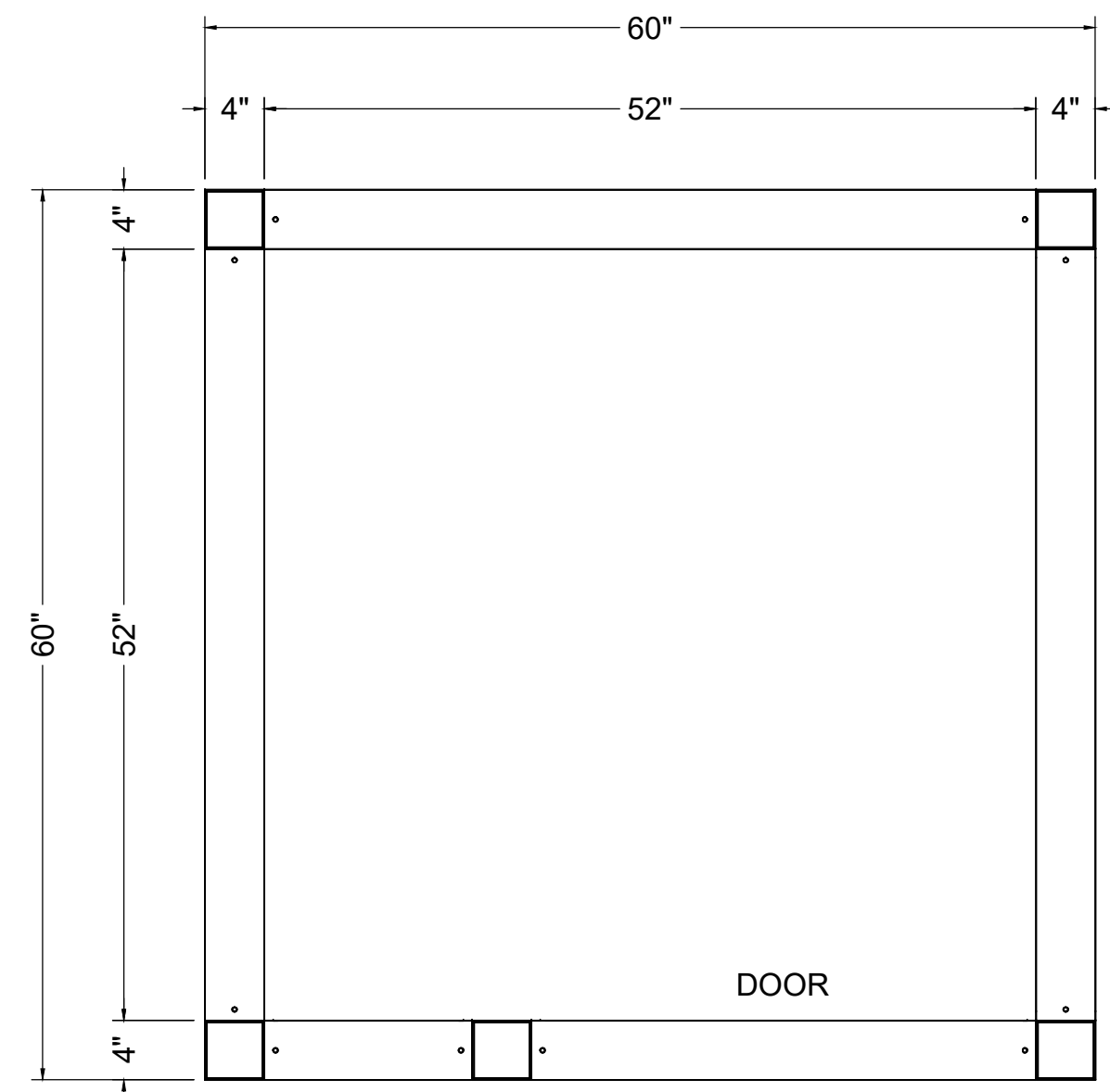
CUSTOM BASE PLATE
UNDER ARCHWAY

ASSEMBLY VIEW
N.T.S.

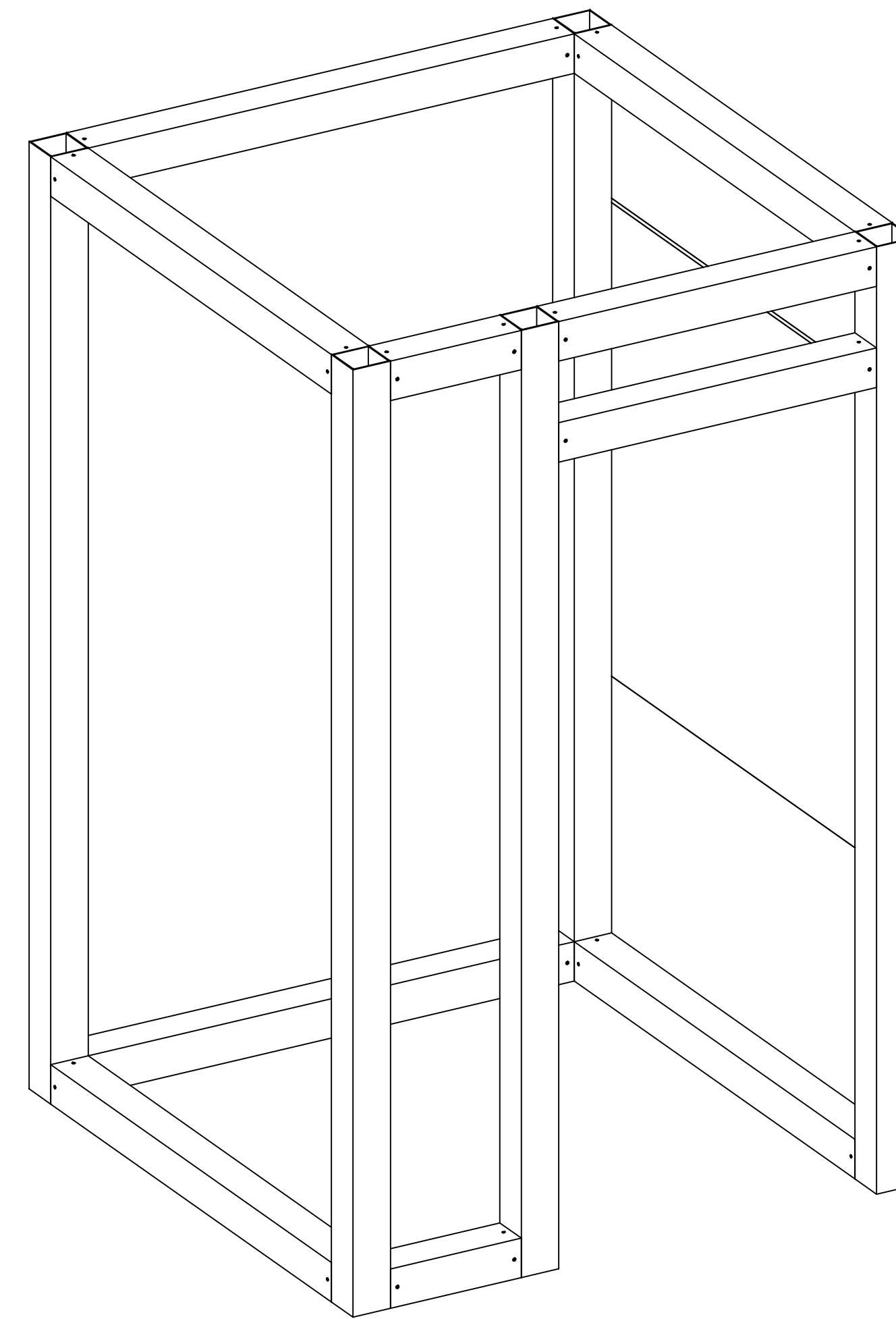


ISOMETRIC VIEW
N.T.S.

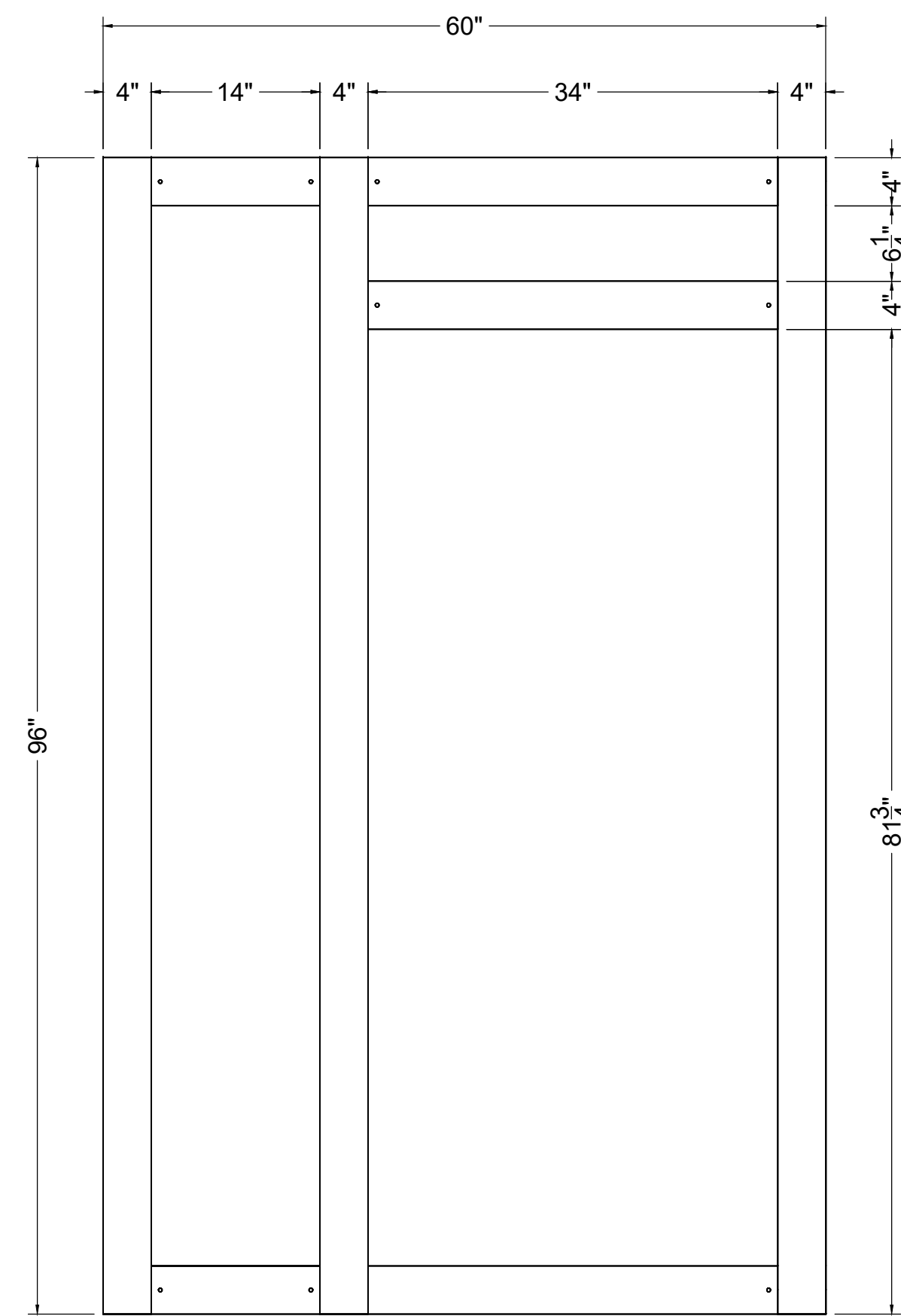
**STORAGE ROOM
PARTS LABEL "S"**



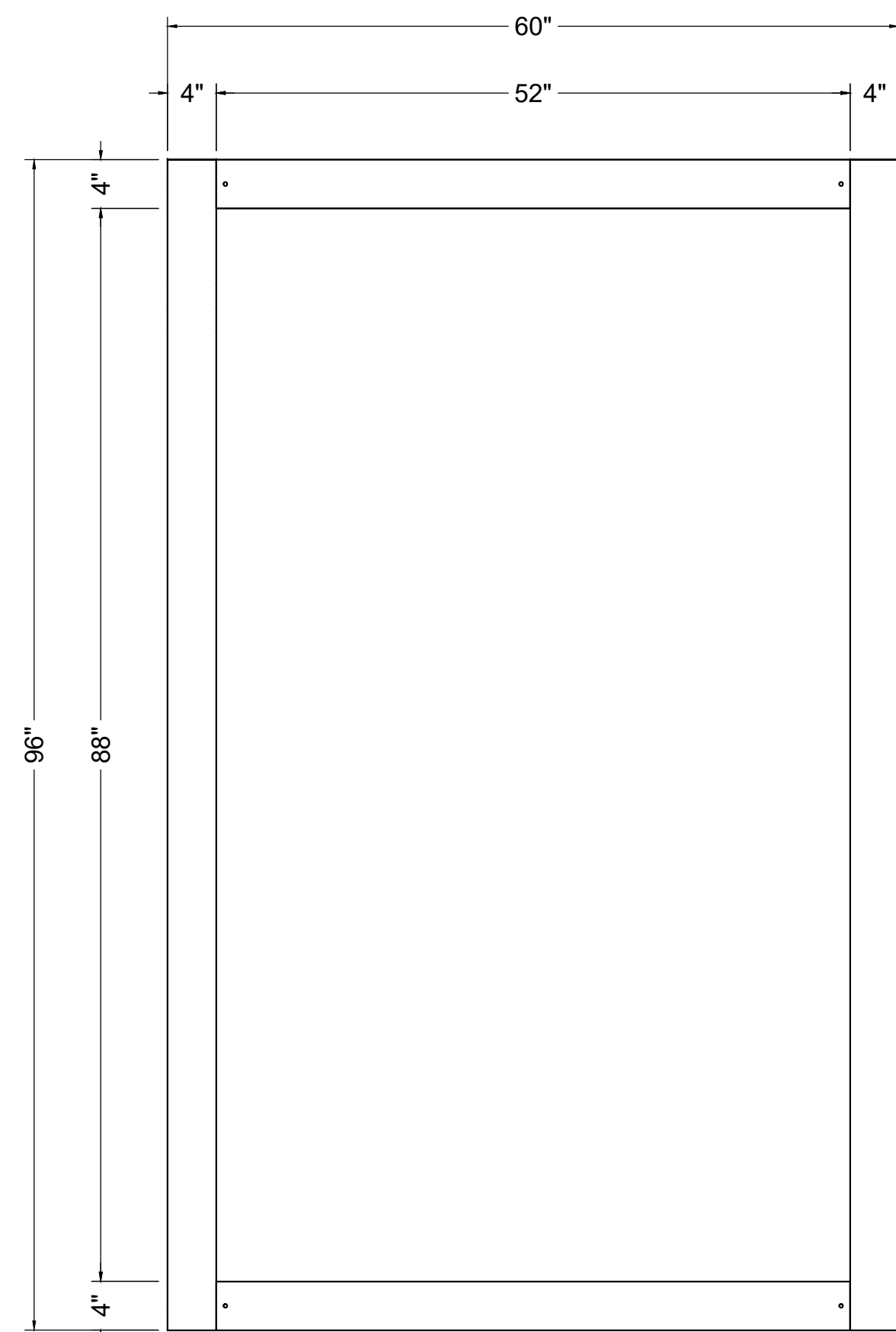
PLAN VIEW
1"=1'-0"



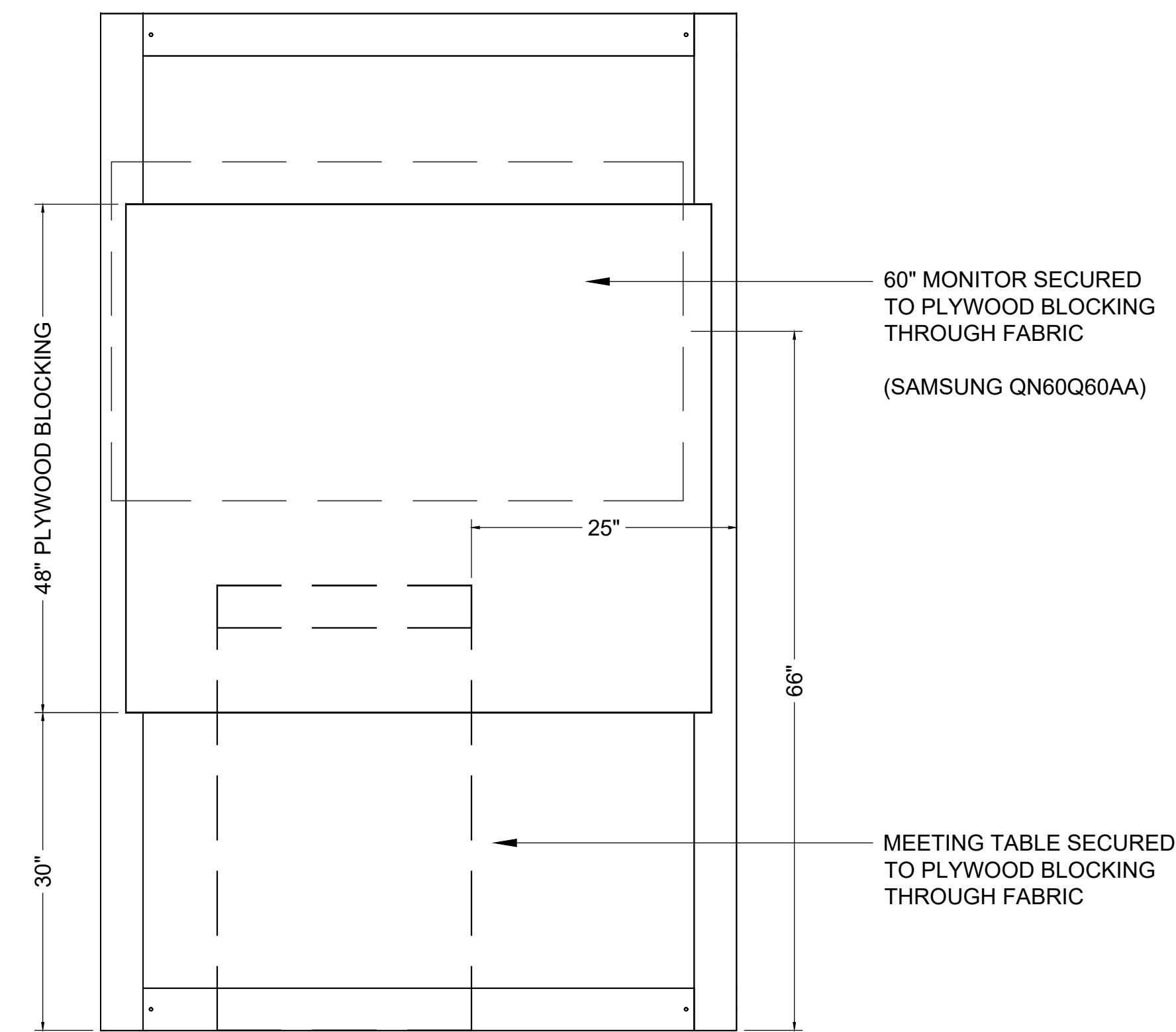
ISOMETRIC VIEW
N.T.S.



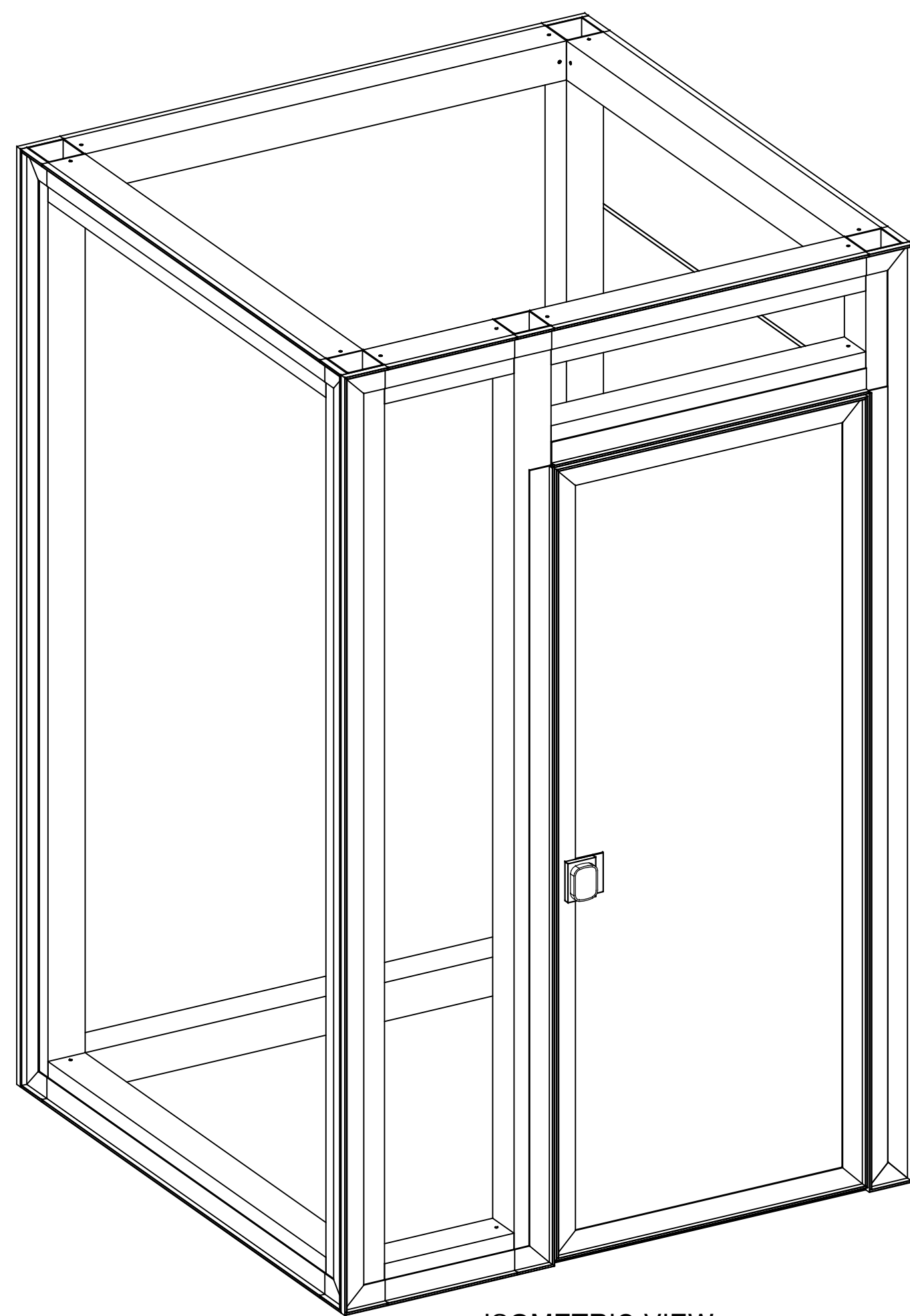
FRONT VIEW
1"=1'-0"



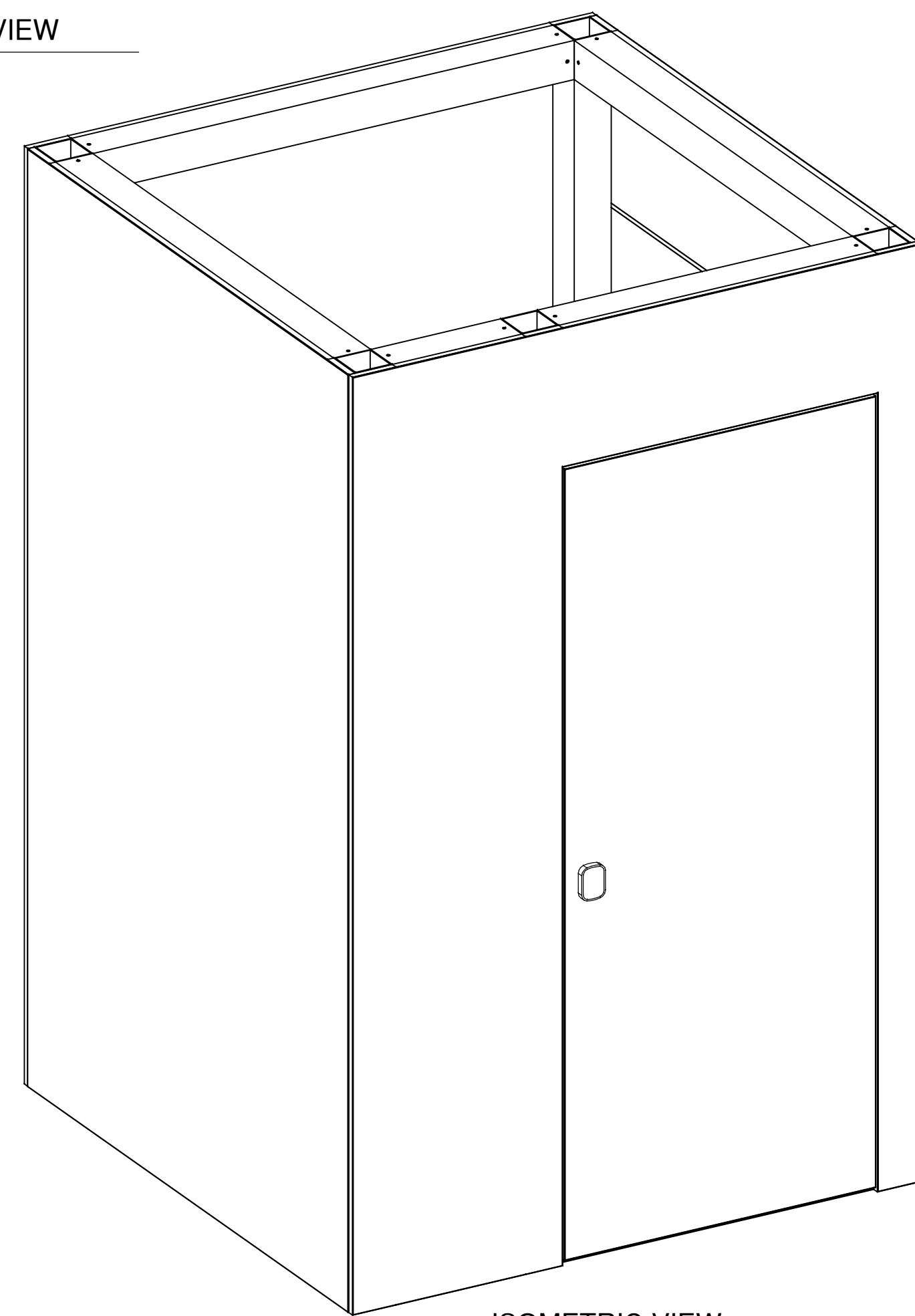
SIDE VIEW
1"=1'-0"



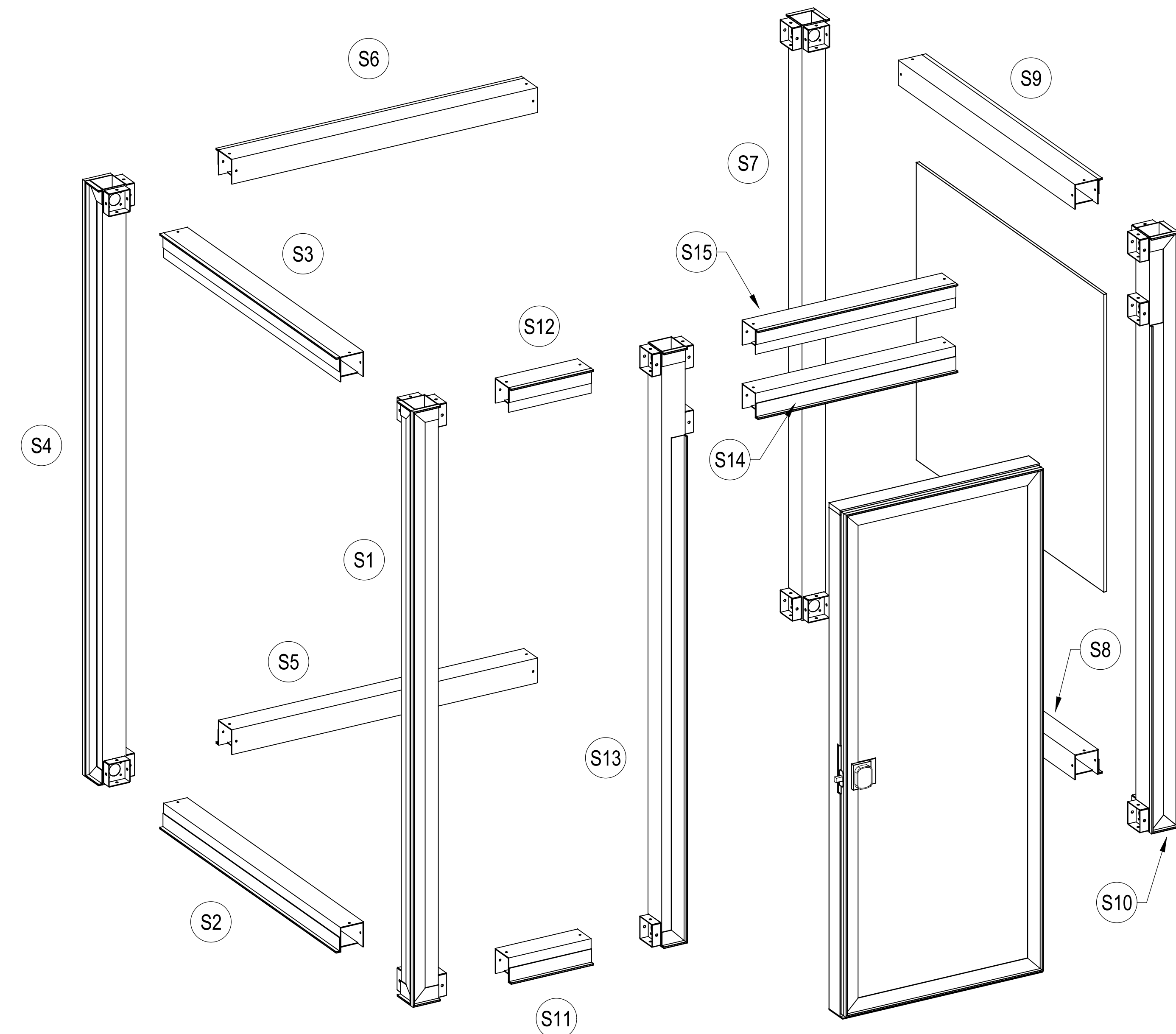
SIDE VIEW
1"=1'-0"



ISOMETRIC VIEW
N.T.S.

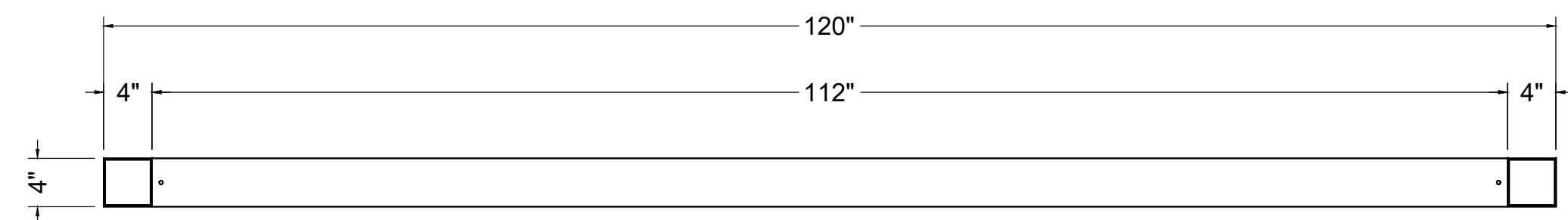


ISOMETRIC VIEW
N.T.S.

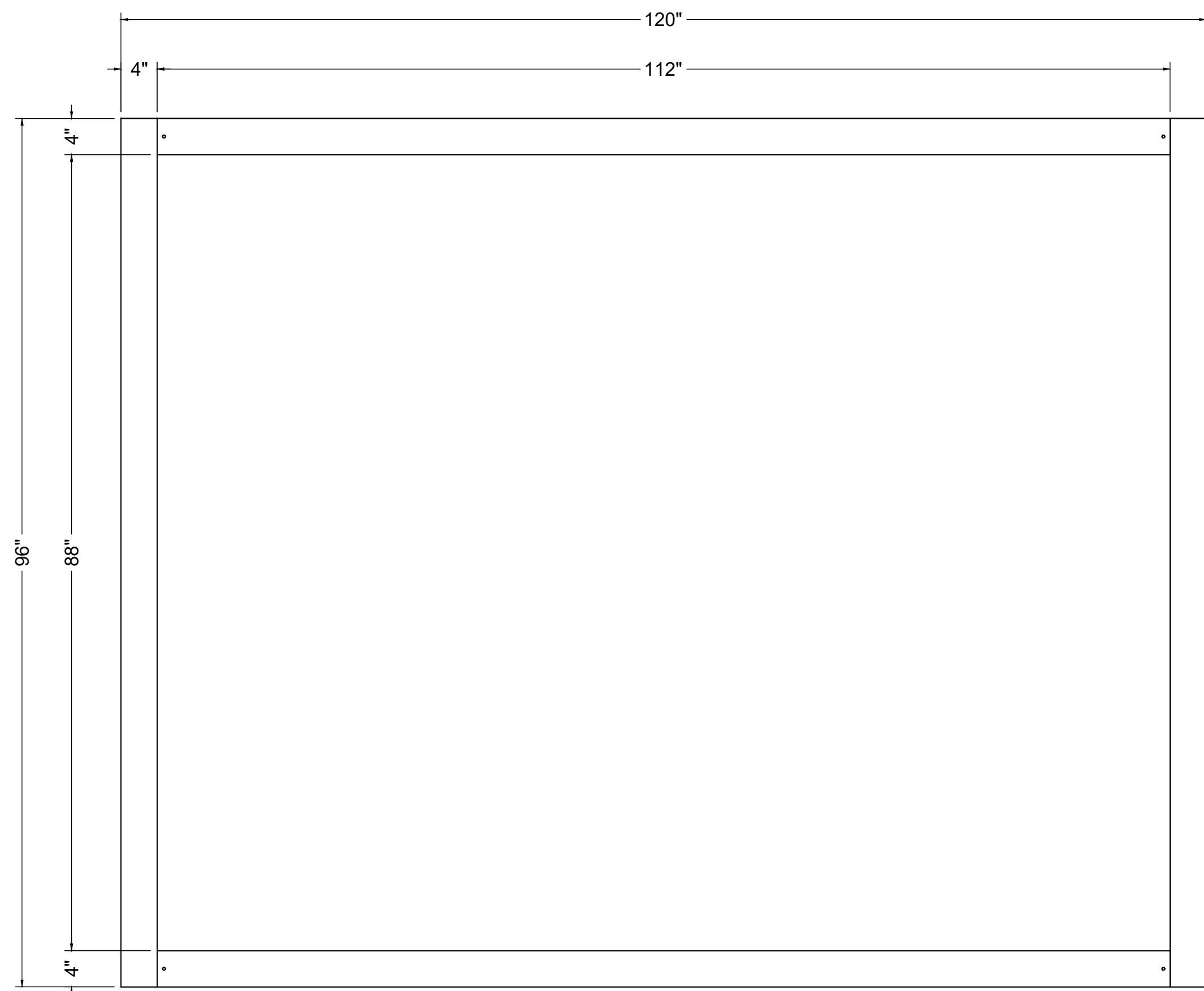


EXPLODED VIEW
N.T.S.

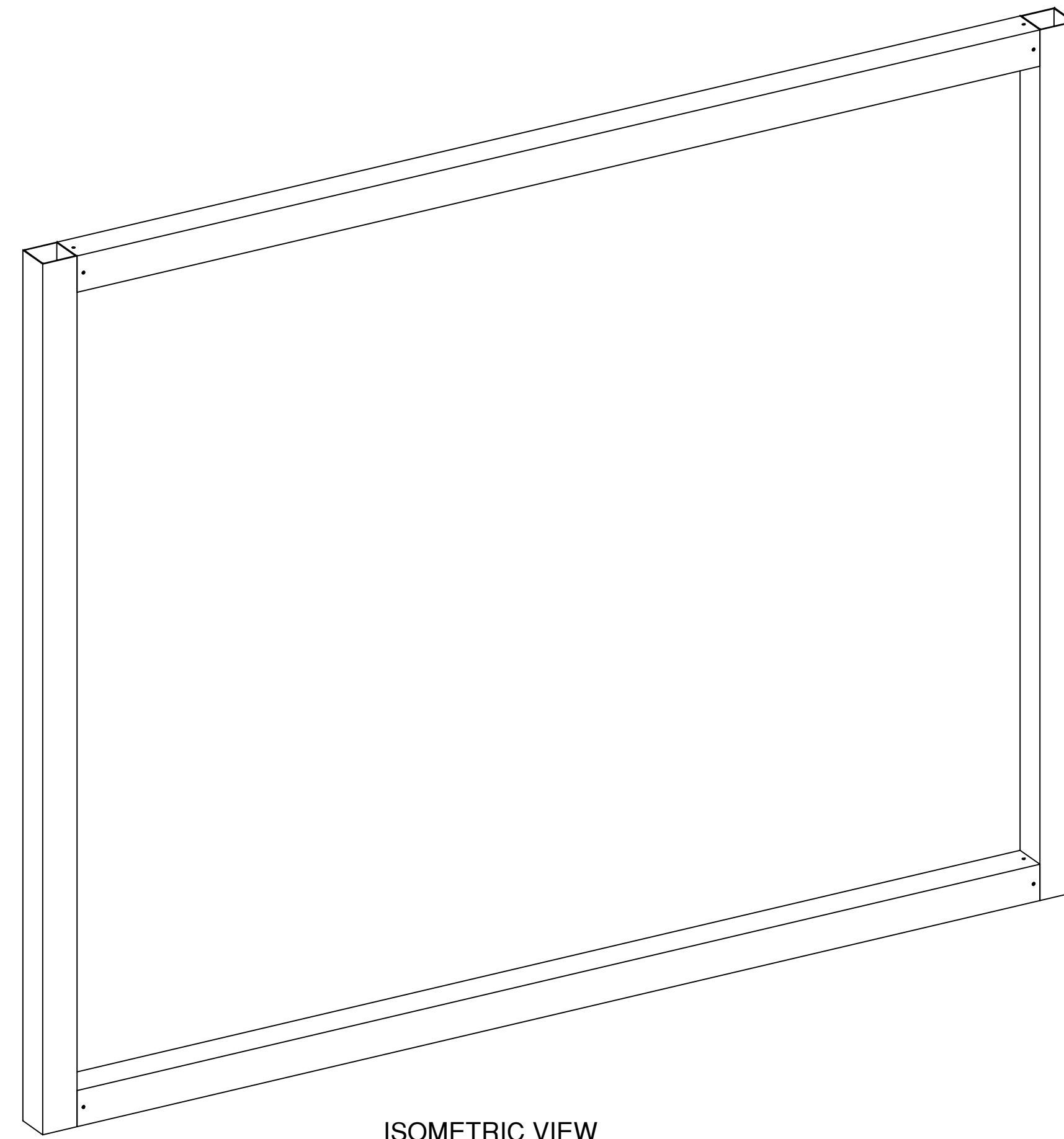
BACKWALL
PARTS LABEL "C"



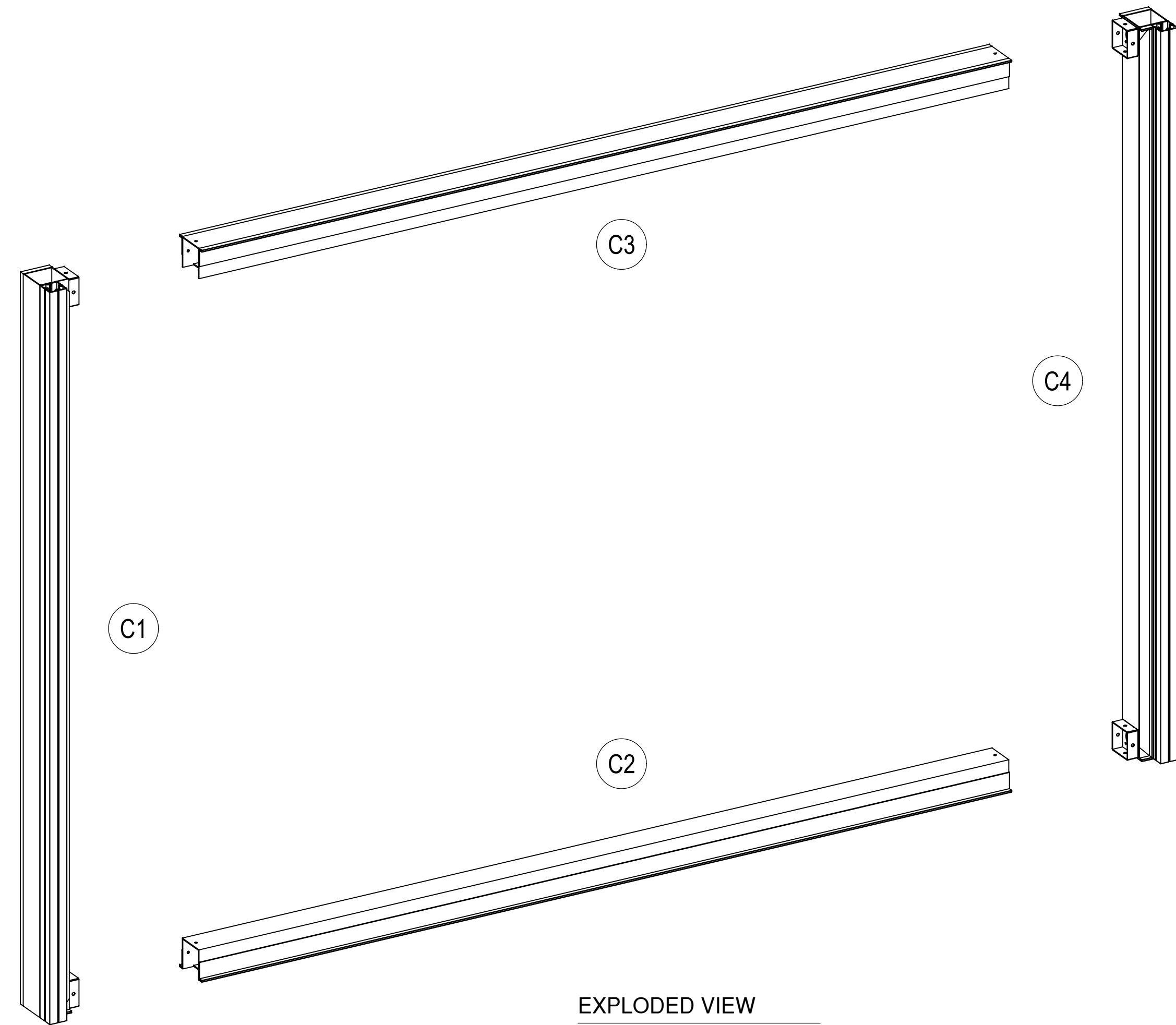
PLAN VIEW
1"=1'-0"



FRONT VIEW
1"=1'-0"

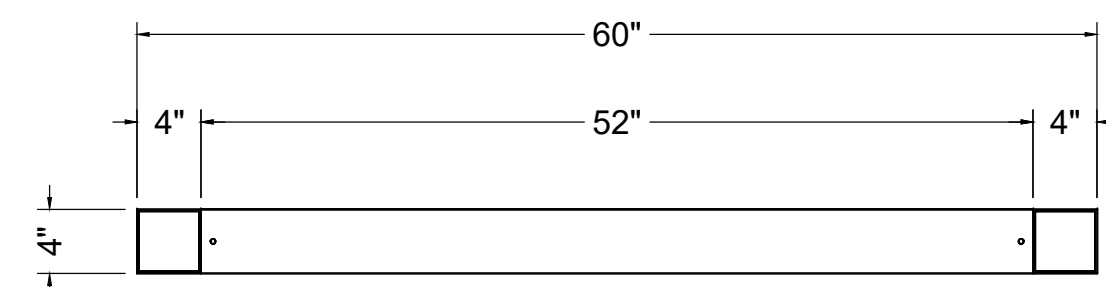


ISOMETRIC VIEW
N.T.S.

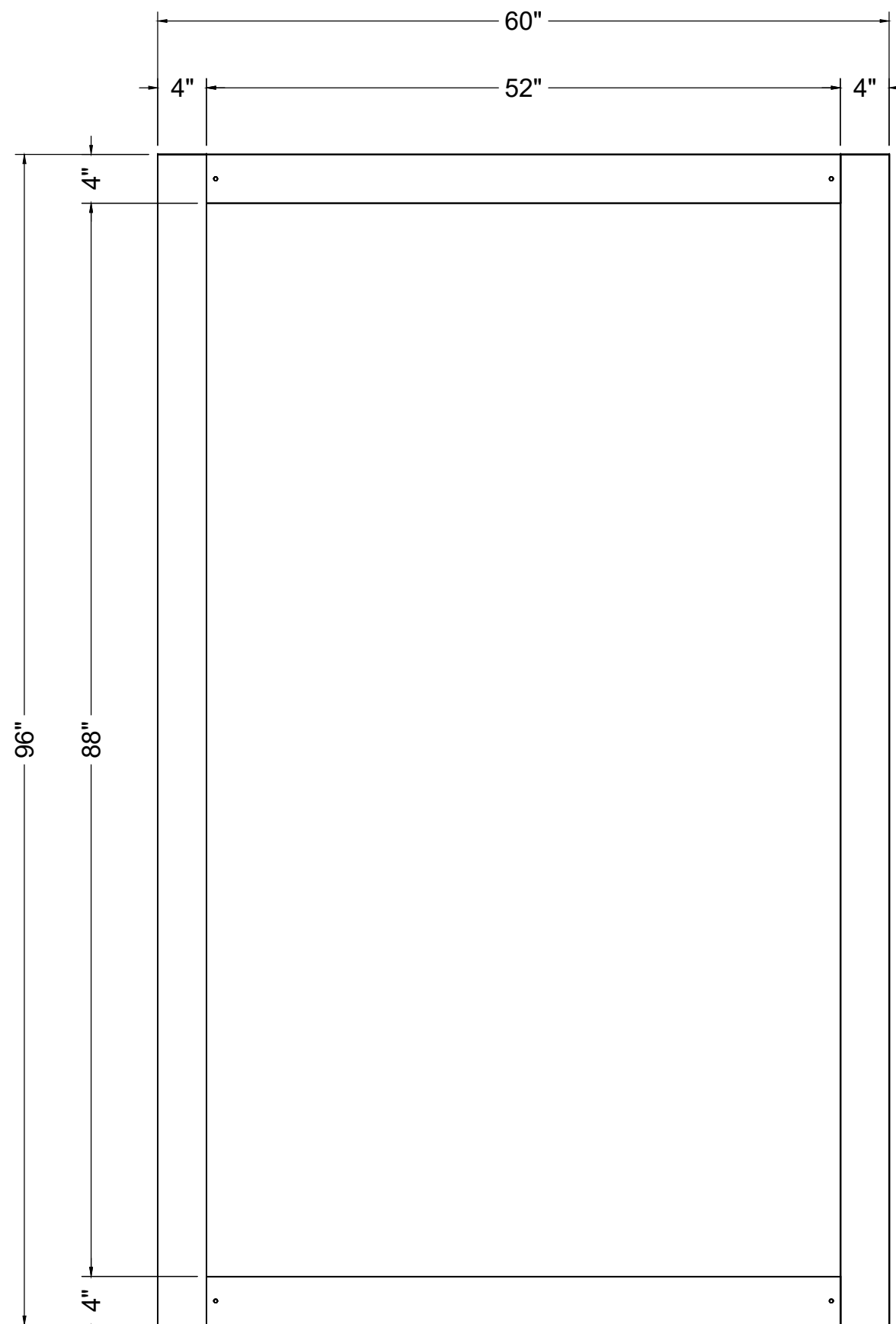


EXPLODED VIEW
N.T.S.

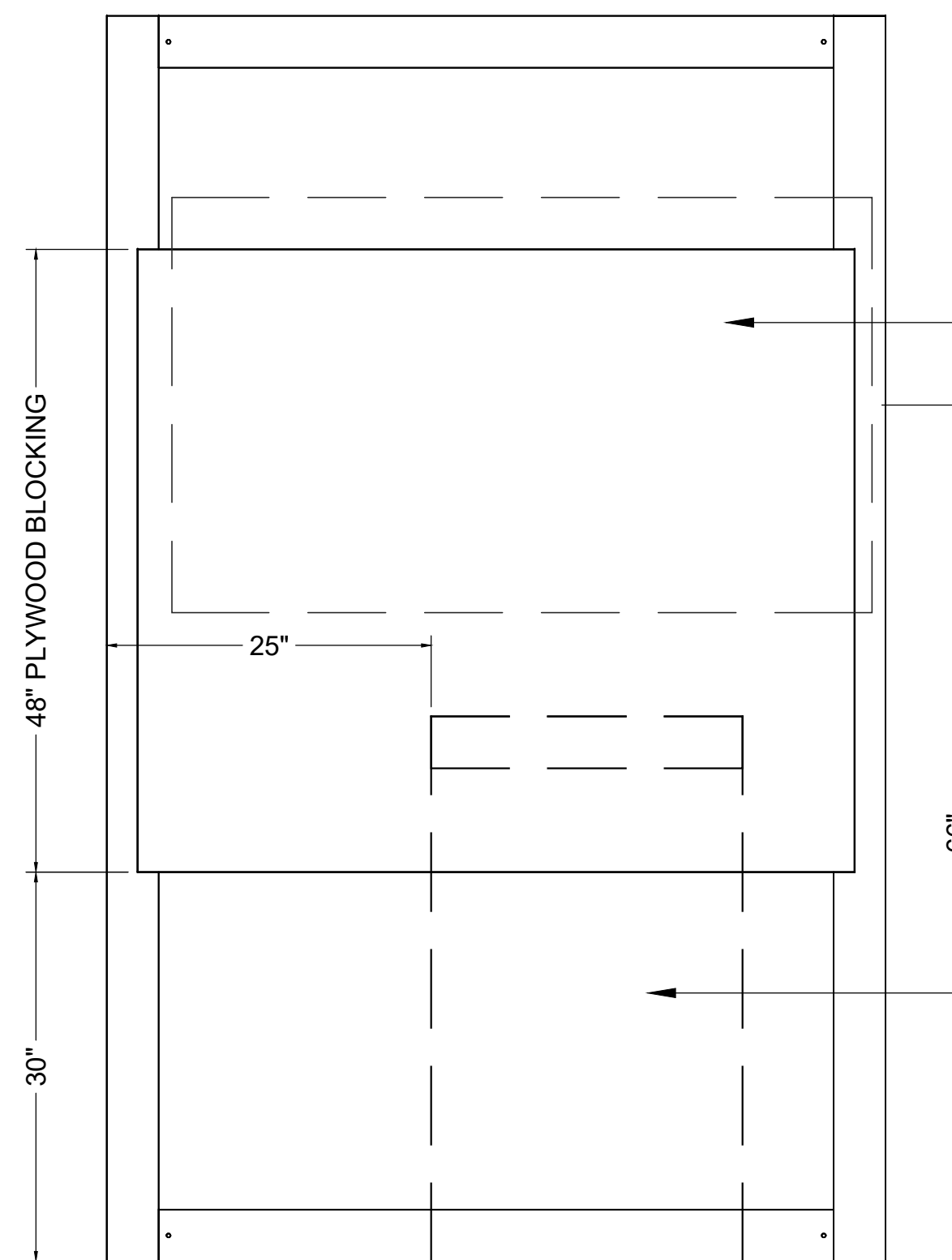
**RETURN WALL
PARTS LABEL "A"**



PLAN VIEW
1"=1'-0"



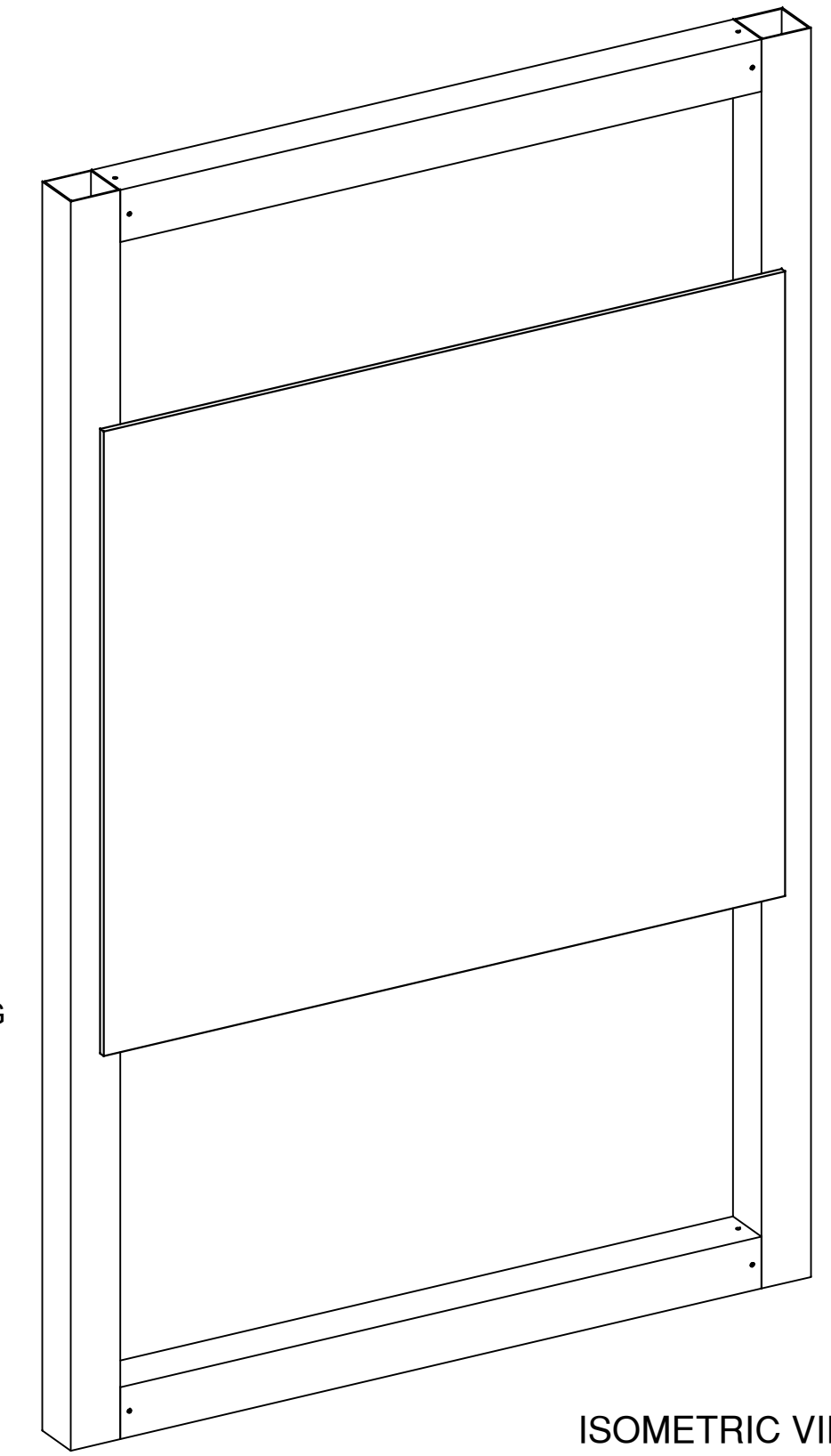
FRONT VIEW
1"=1'-0"



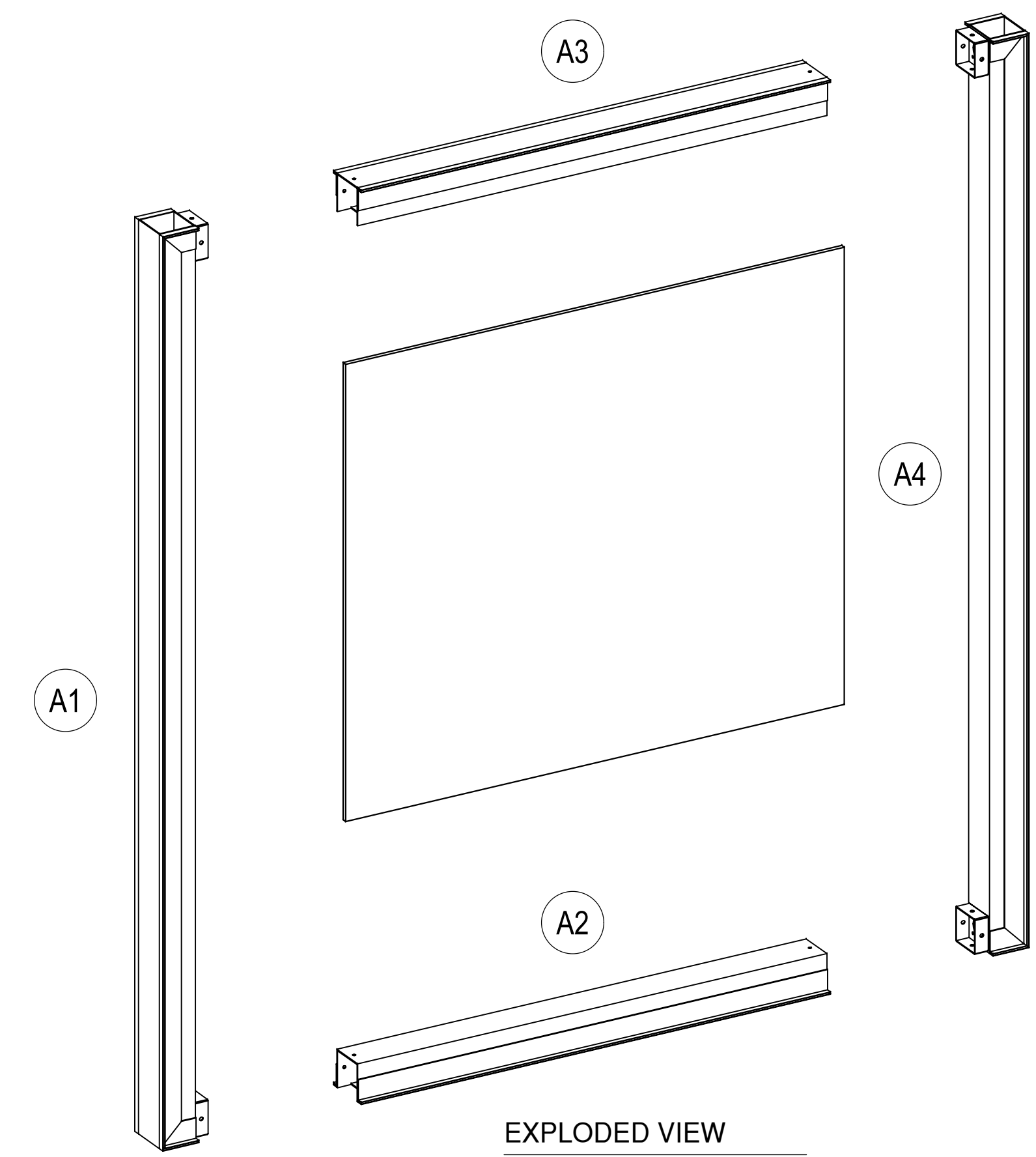
FRONT VIEW
1"=1'-0"

60" MONITOR SECURED
TO PLYWOOD BLOCKING
THROUGH FABRIC
(SAMSUNG QN60Q60AA)

MEETING TABLE SECURED
TO PLYWOOD BLOCKING
THROUGH FABRIC

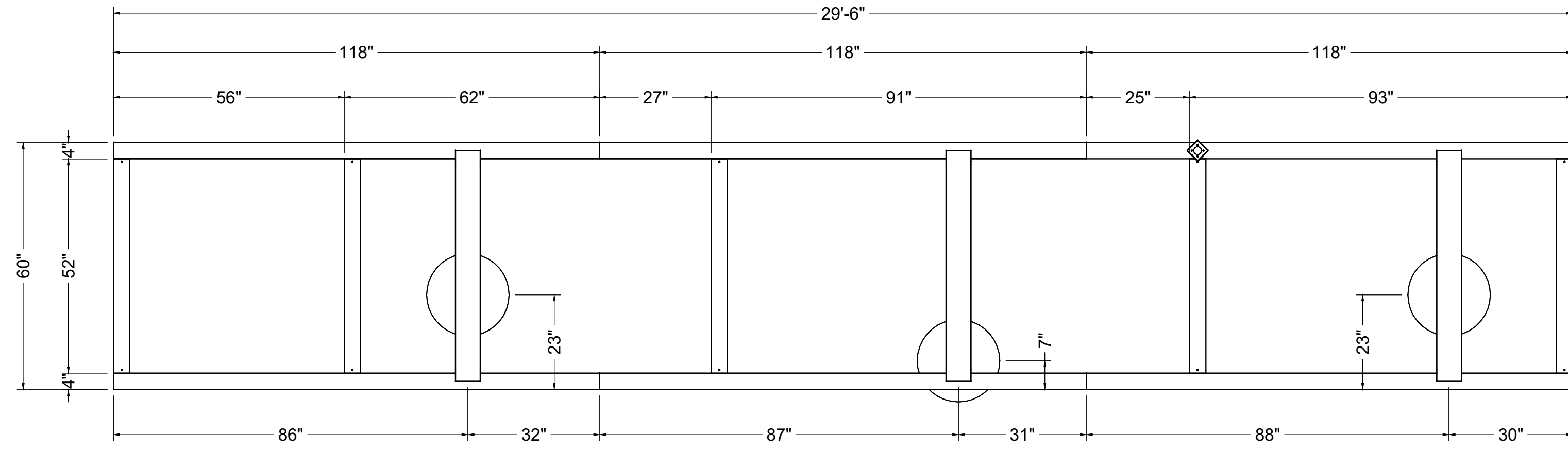


ISOMETRIC VIEW
N.T.S.

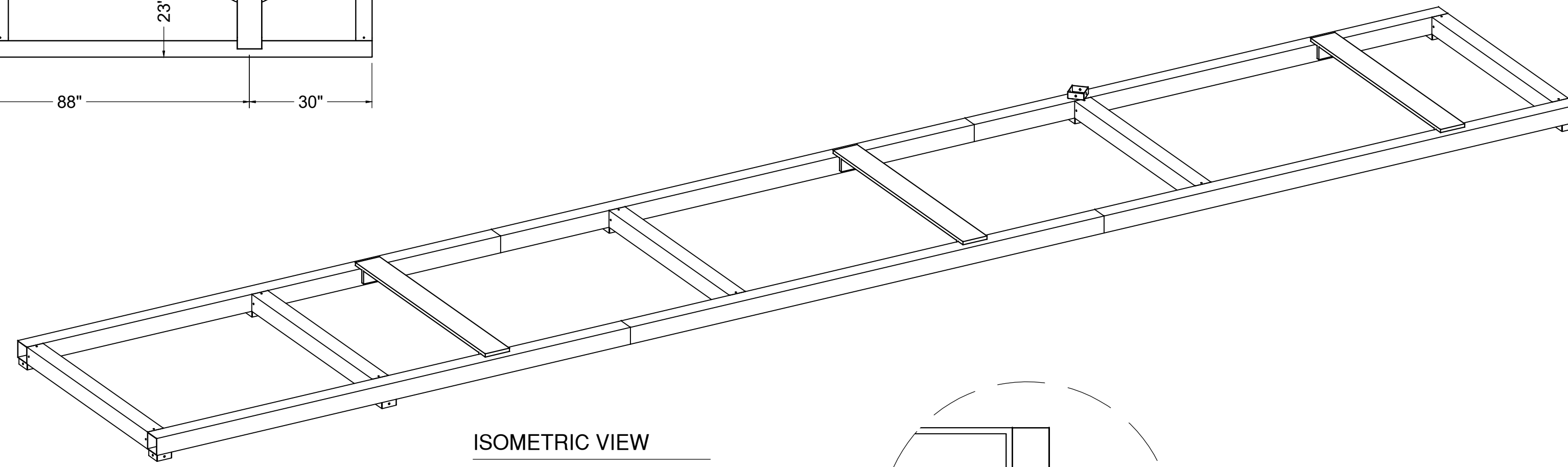


EXPLODED VIEW
N.T.S.

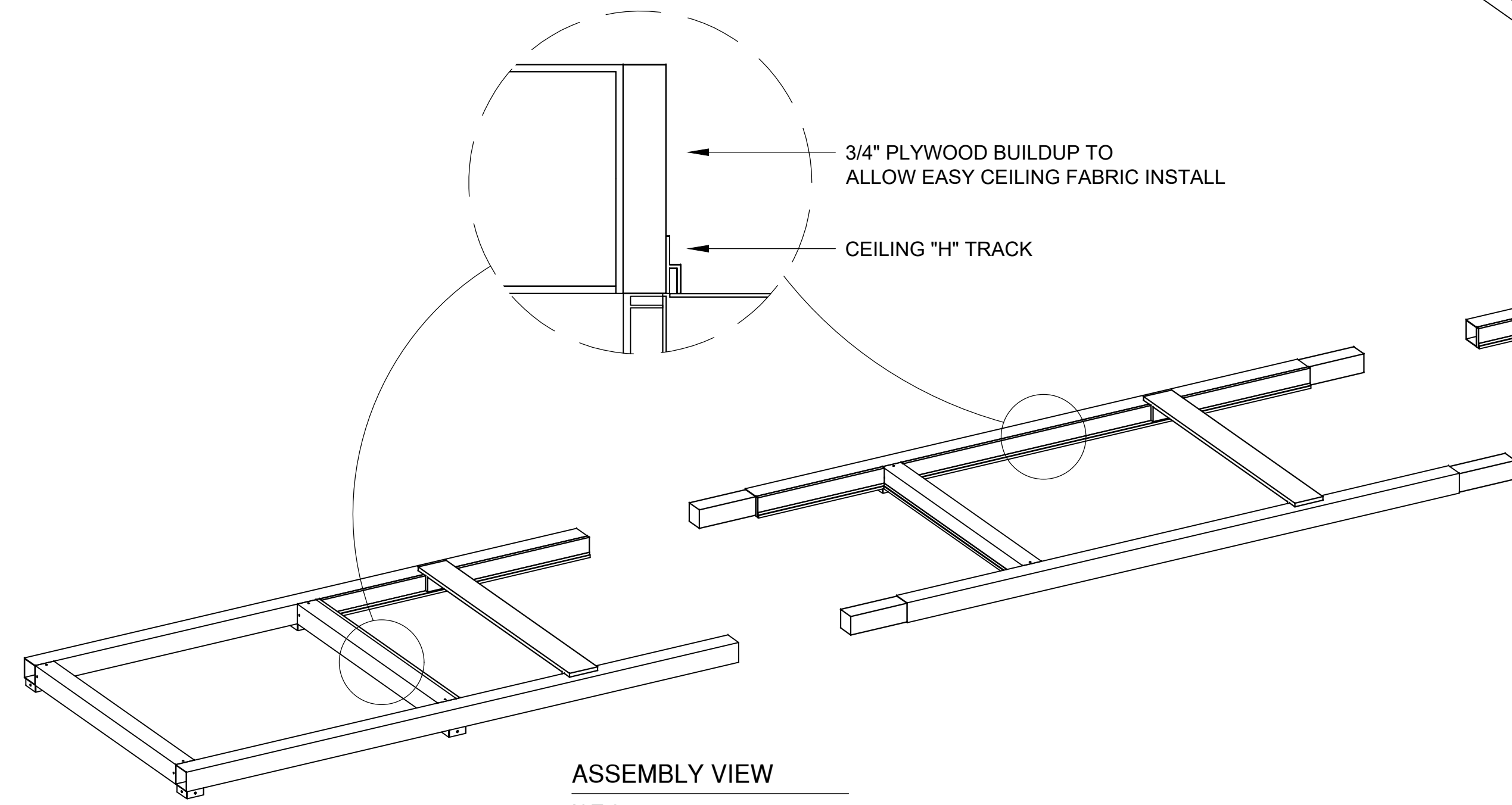
**CANOPY
PARTS LABEL "B"**



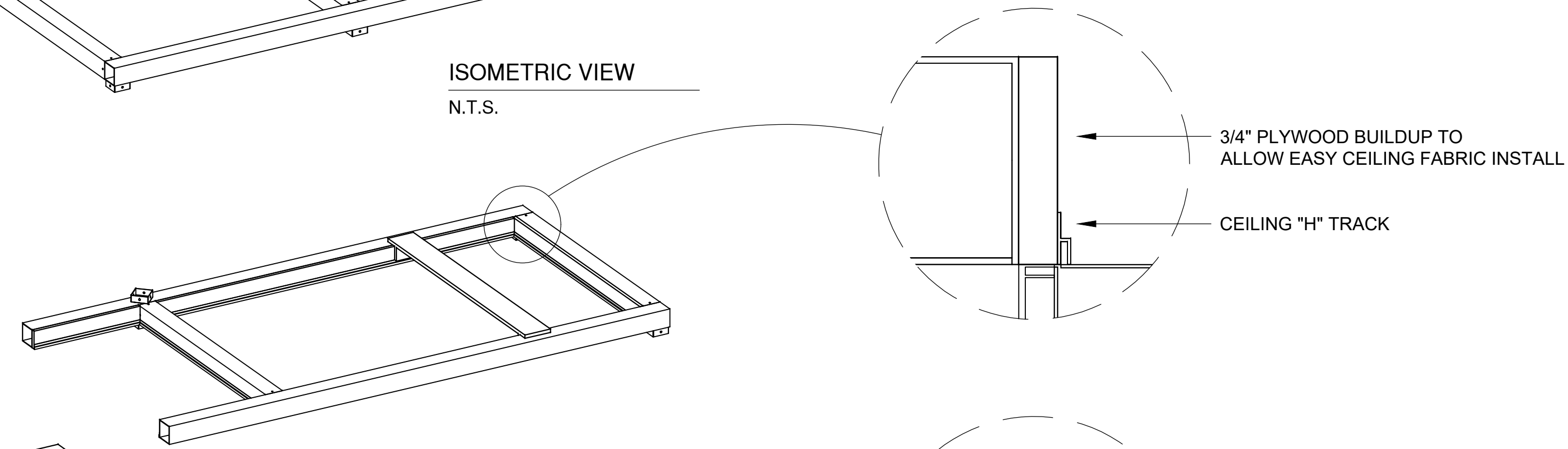
PLAN VIEW
1/2"=1'-0"



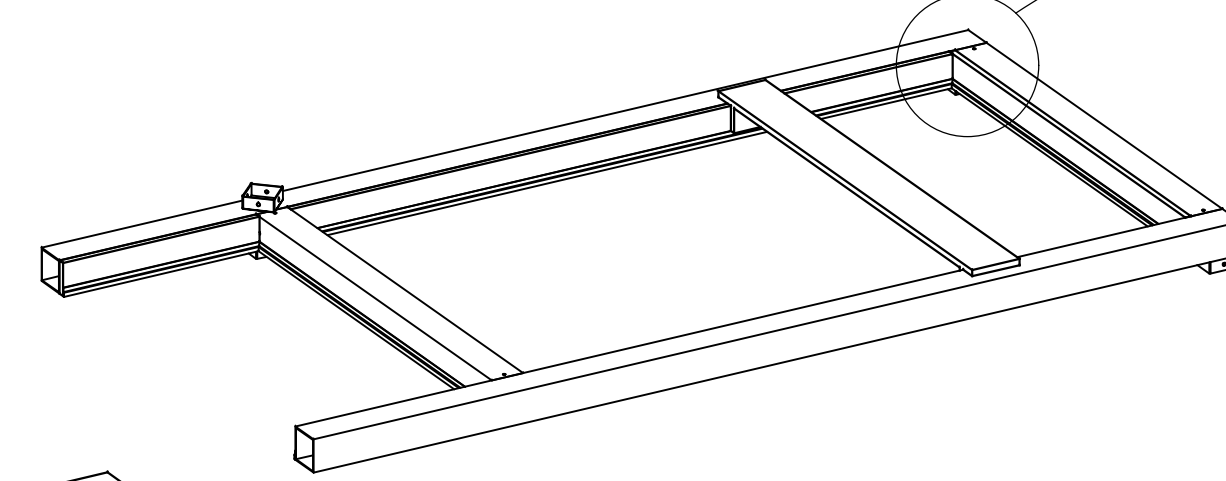
ISOMETRIC VIEW
N.T.S.



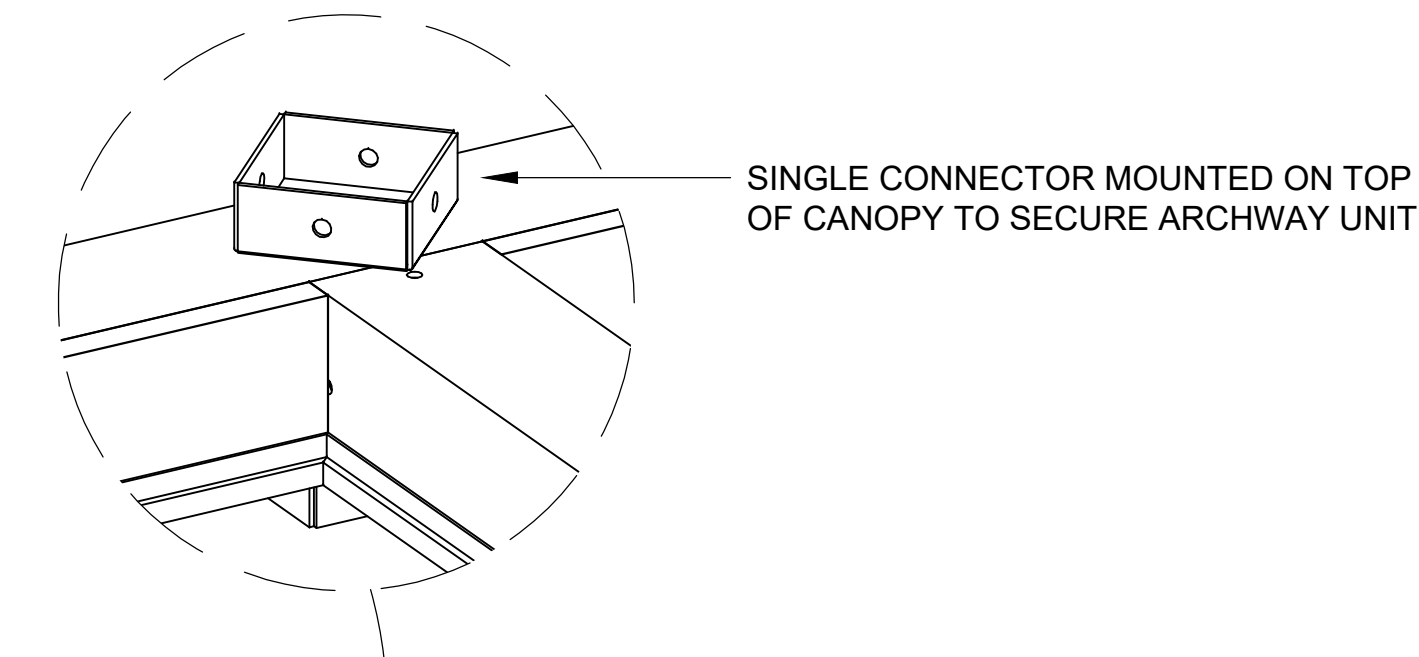
ASSEMBLY VIEW
N.T.S.



3/4" PLYWOOD BUILDUP TO ALLOW EASY CEILING FABRIC INSTALL
CEILING "H" TRACK

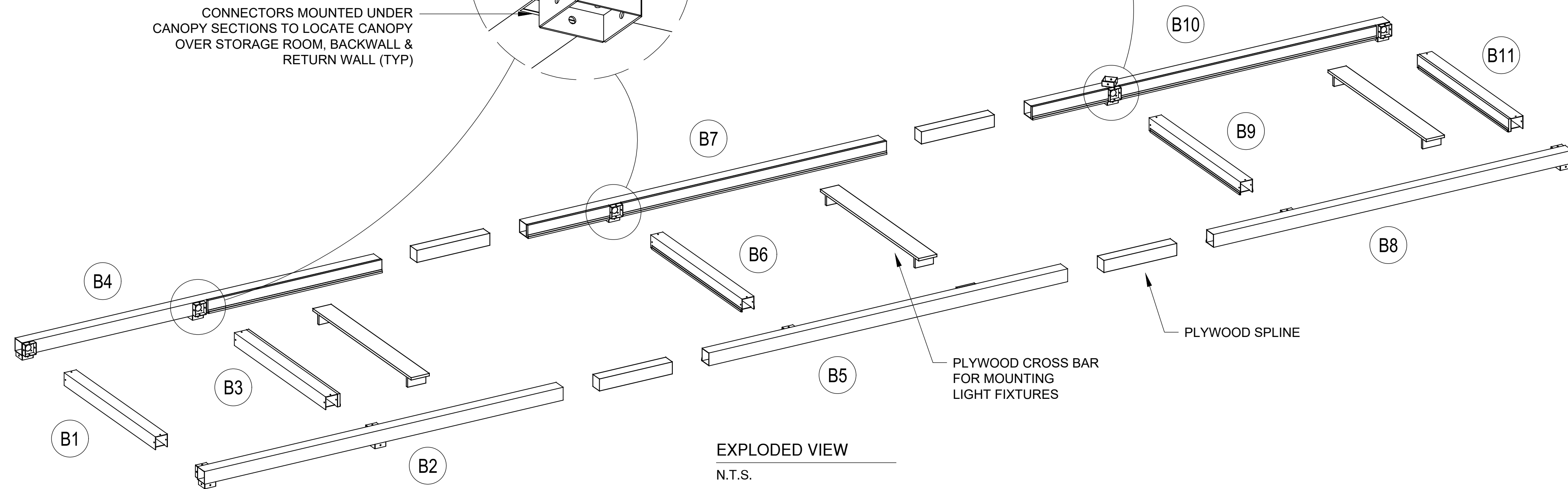


3/4" PLYWOOD BUILDUP TO ALLOW EASY CEILING FABRIC INSTALL
CEILING "H" TRACK



SINGLE CONNECTOR MOUNTED ON TOP OF CANOPY TO SECURE ARCHWAY UNIT

CONNECTORS MOUNTED UNDER CANOPY SECTIONS TO LOCATE CANOPY OVER STORAGE ROOM, BACKWALL & RETURN WALL (TYP)

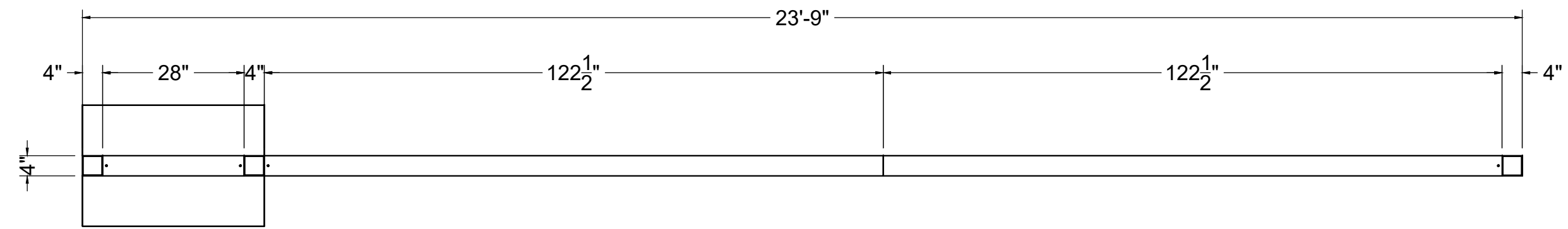


EXPLODED VIEW
N.T.S.

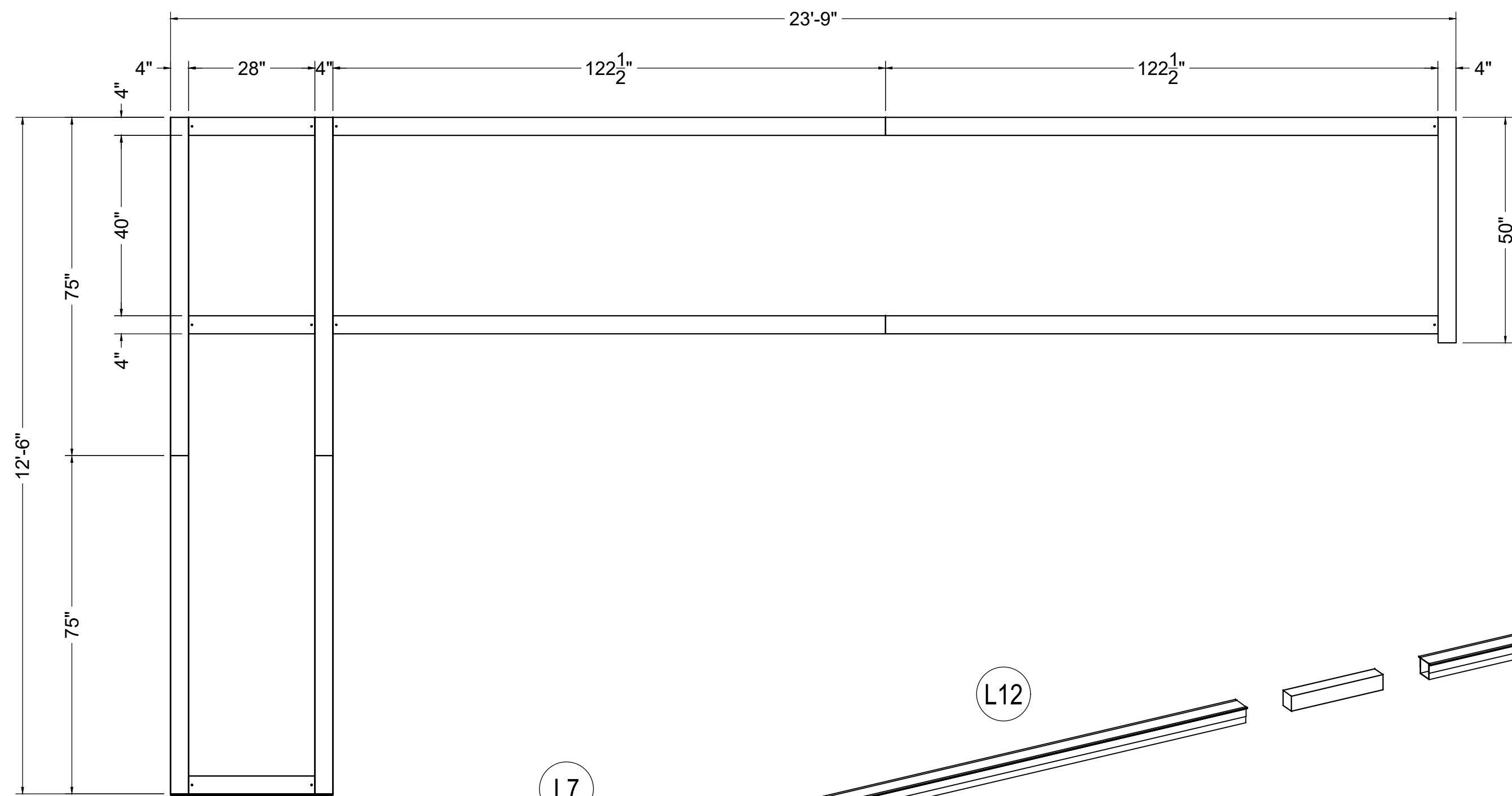
PLYWOOD CROSS BAR FOR MOUNTING LIGHT FIXTURES

PLYWOOD SPLINE

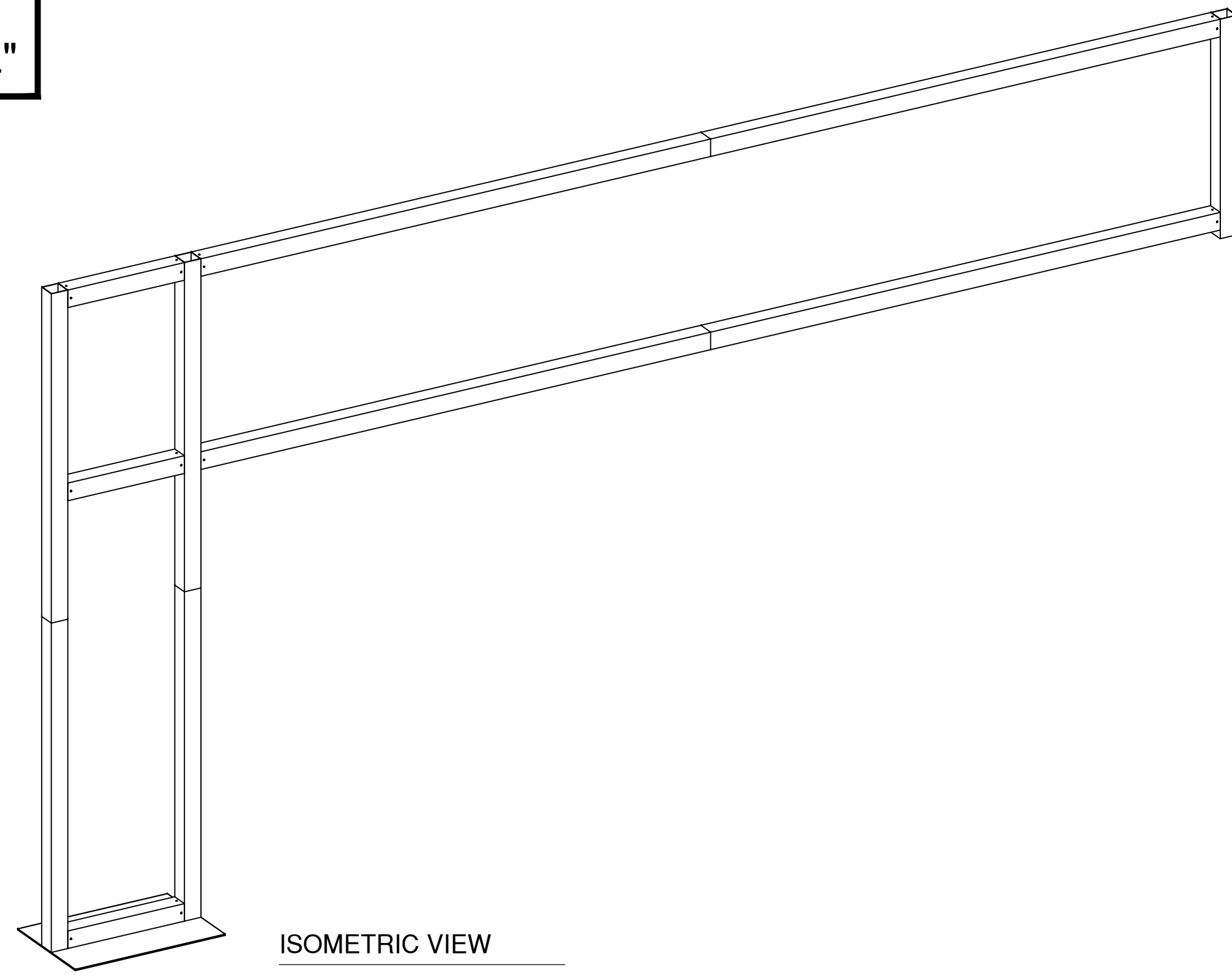
RETURN WALL
PARTS LABEL "L"



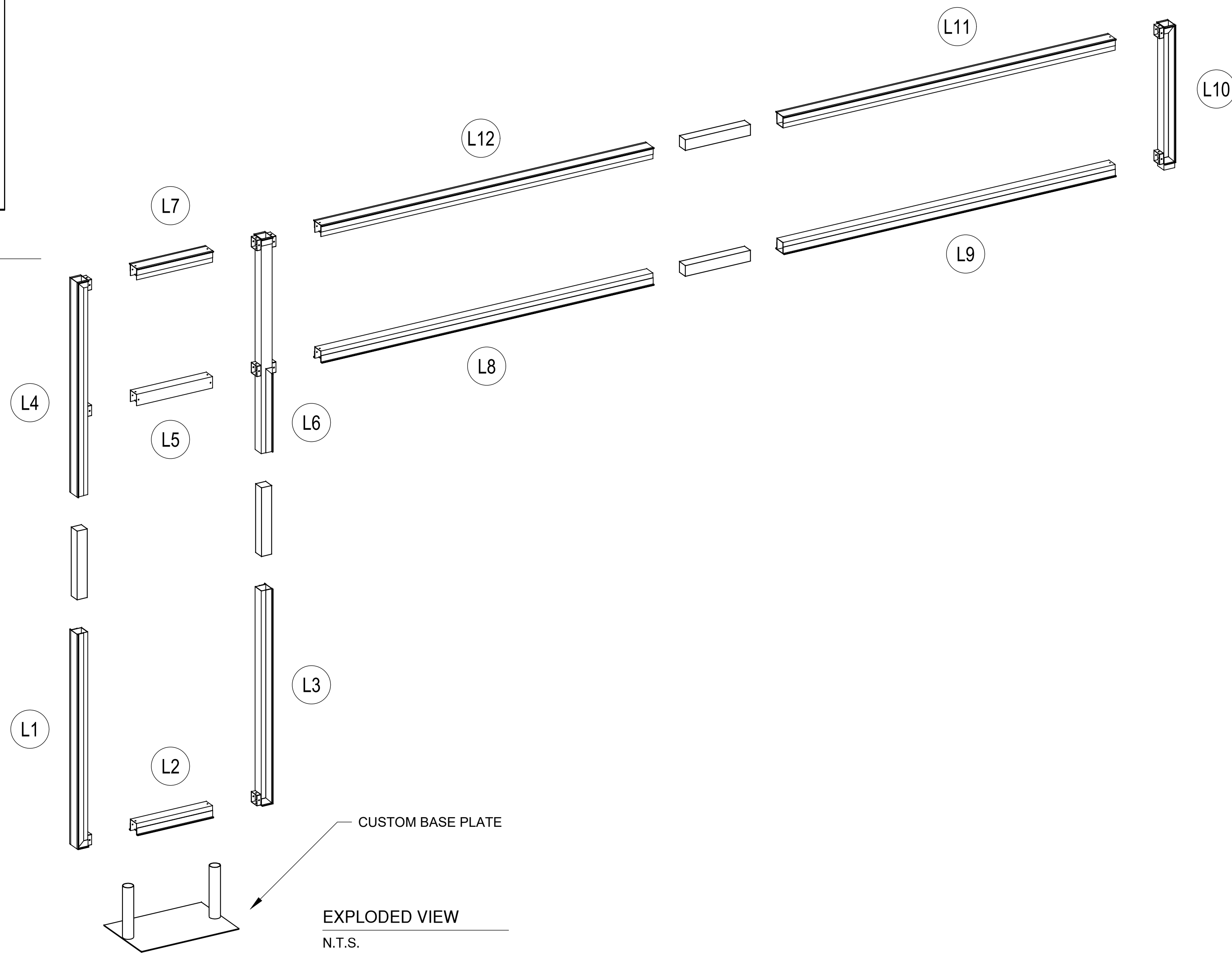
PLAN VIEW
1/2"=1'-0"

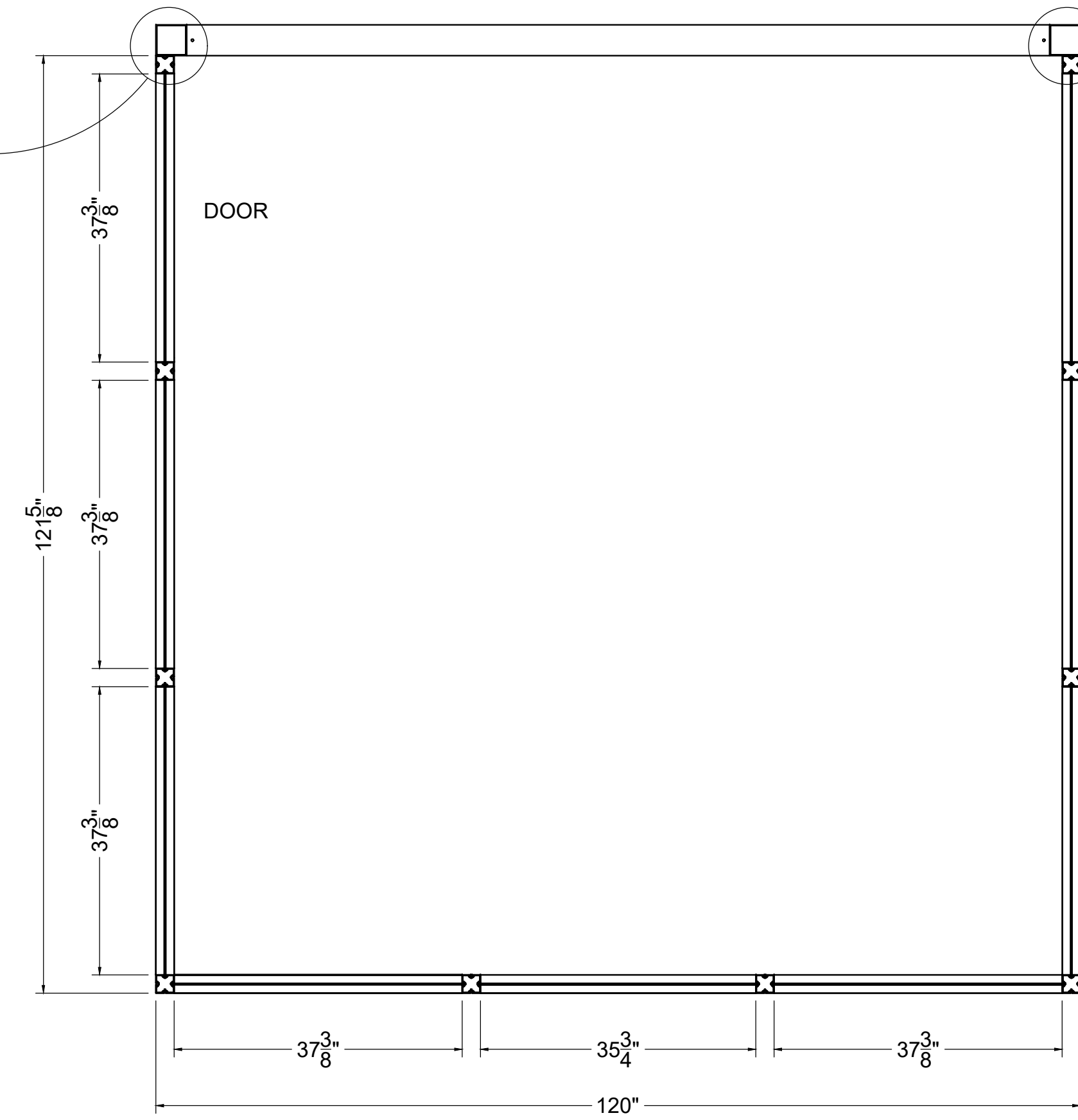
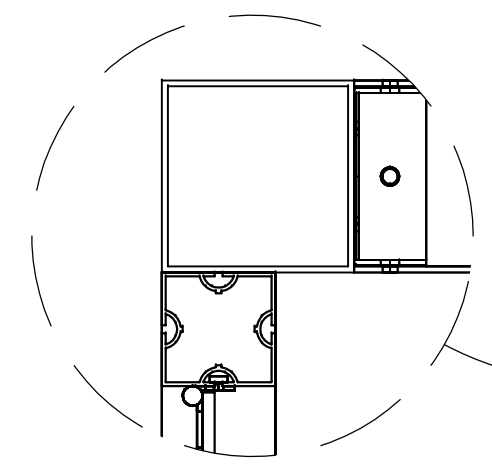


FRONT VIEW
1/2"=1'-0"

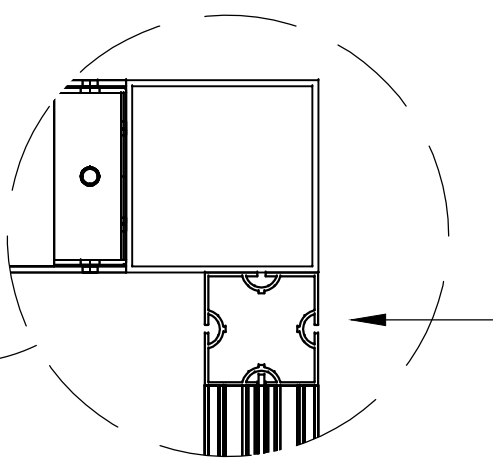


ISOMETRIC VIEW
N.T.S.

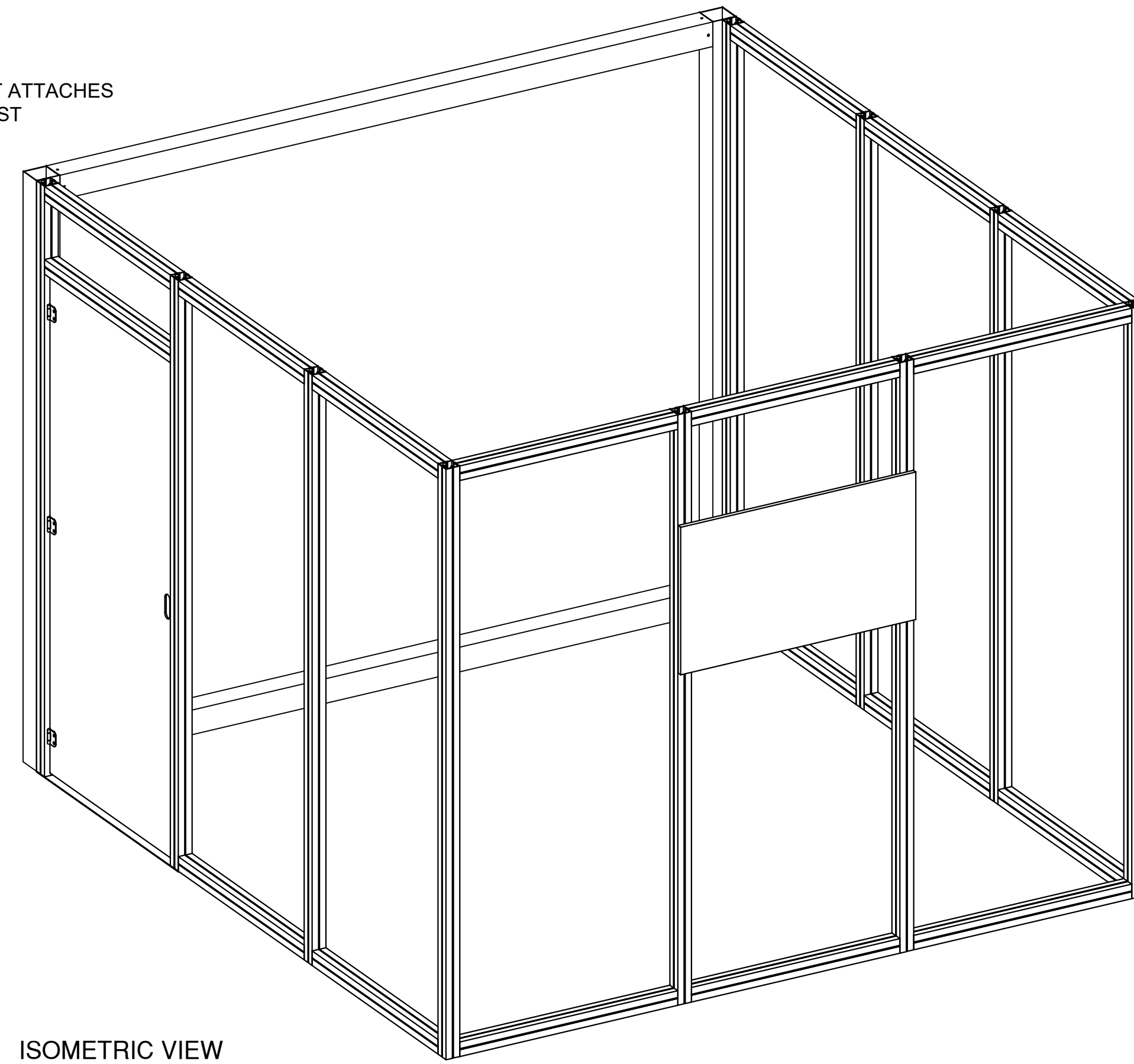




PLAN VIEW
3/4"=1'-0"



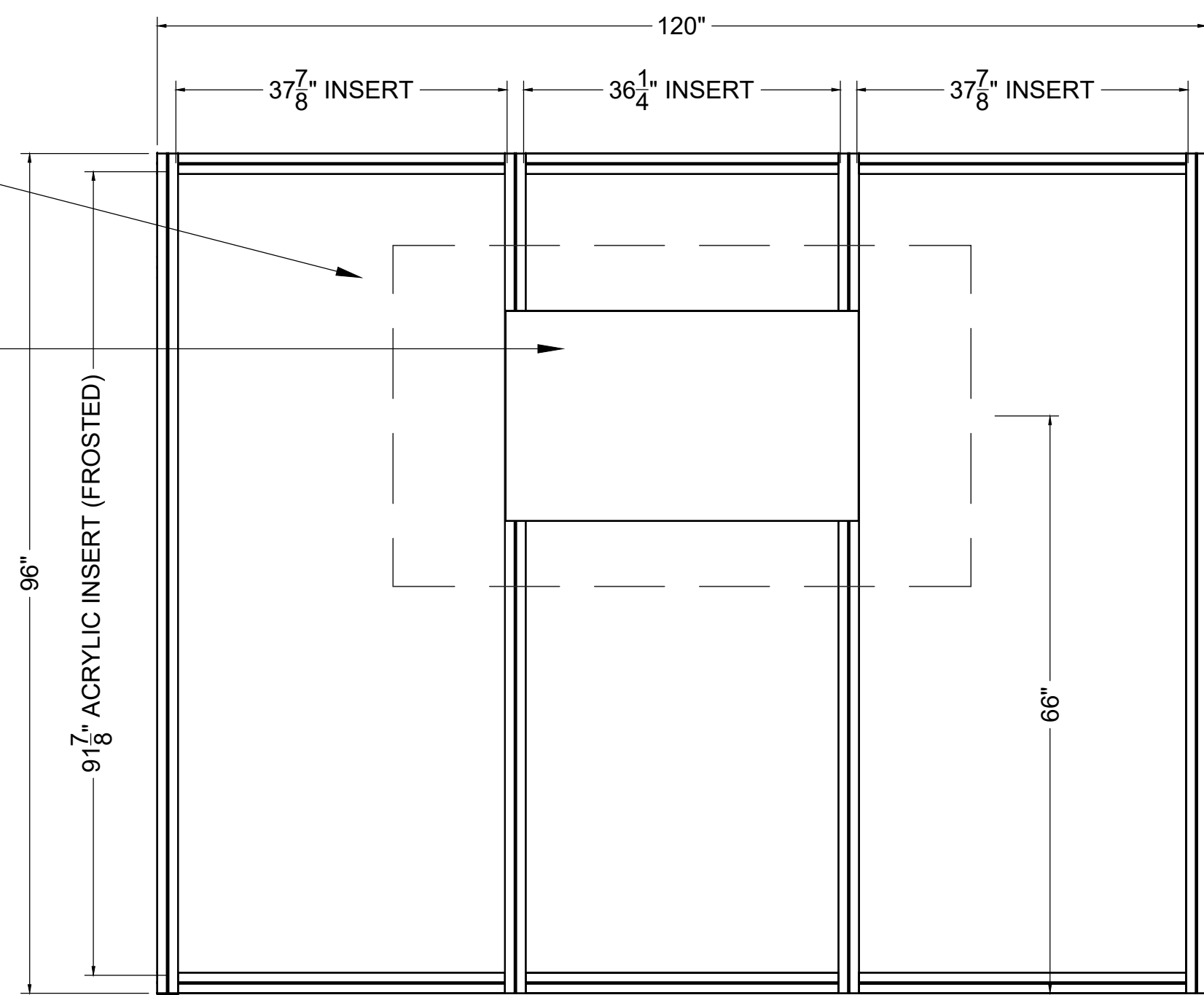
OCTANORM POST ATTACHES TO LIMITLESS POST



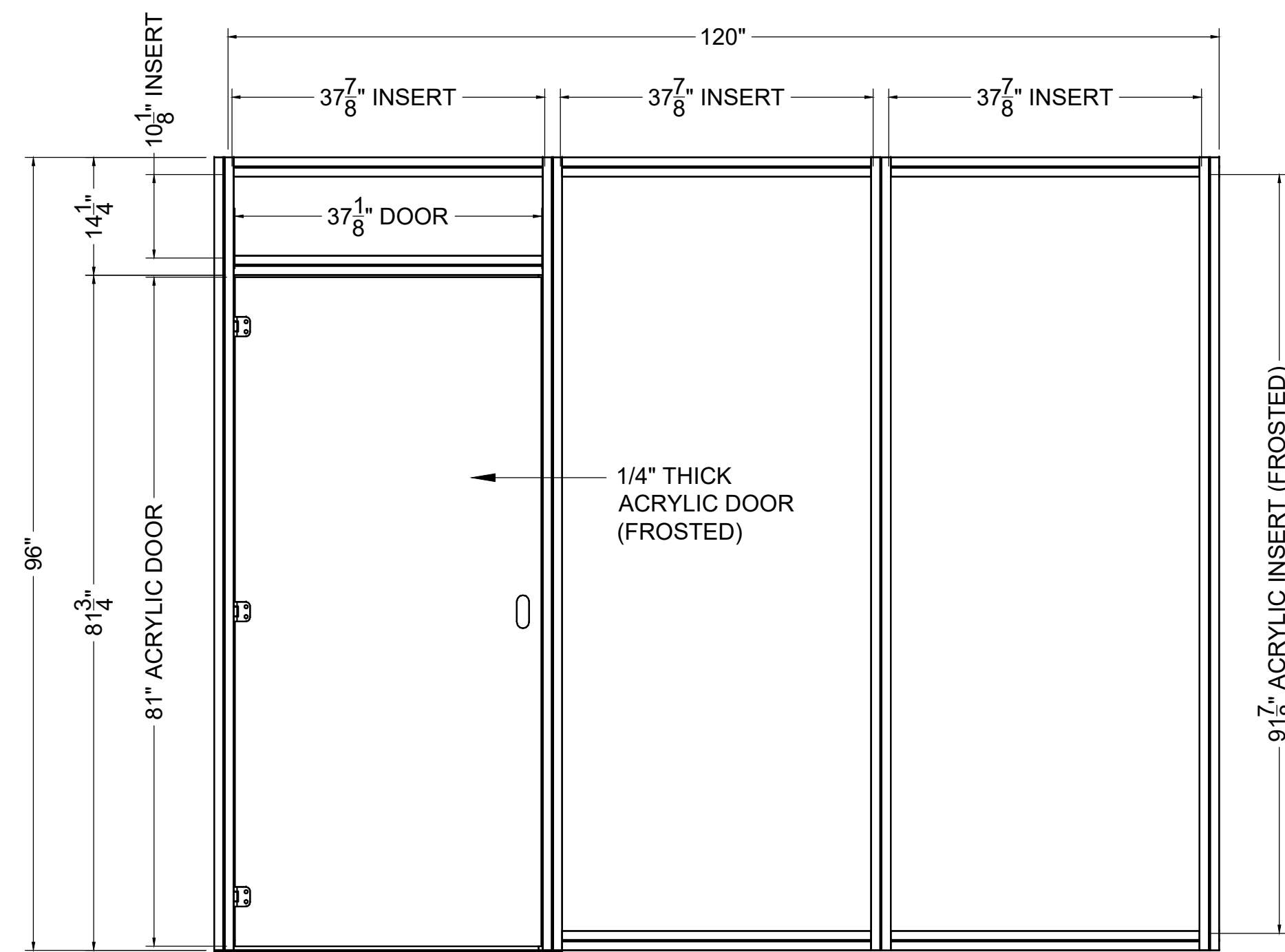
ISOMETRIC VIEW
N.T.S.

75" MONITOR MOUNTED TO PLYWOOD BLOCKING (SAMSUNG QN75Q60AA)

PLYWOOD BLOCKING BOLTED TO OCTANORM FRAME



FRONT VIEW
3/4"=1'-0"



SIDE VIEW
3/4"=1'-0"