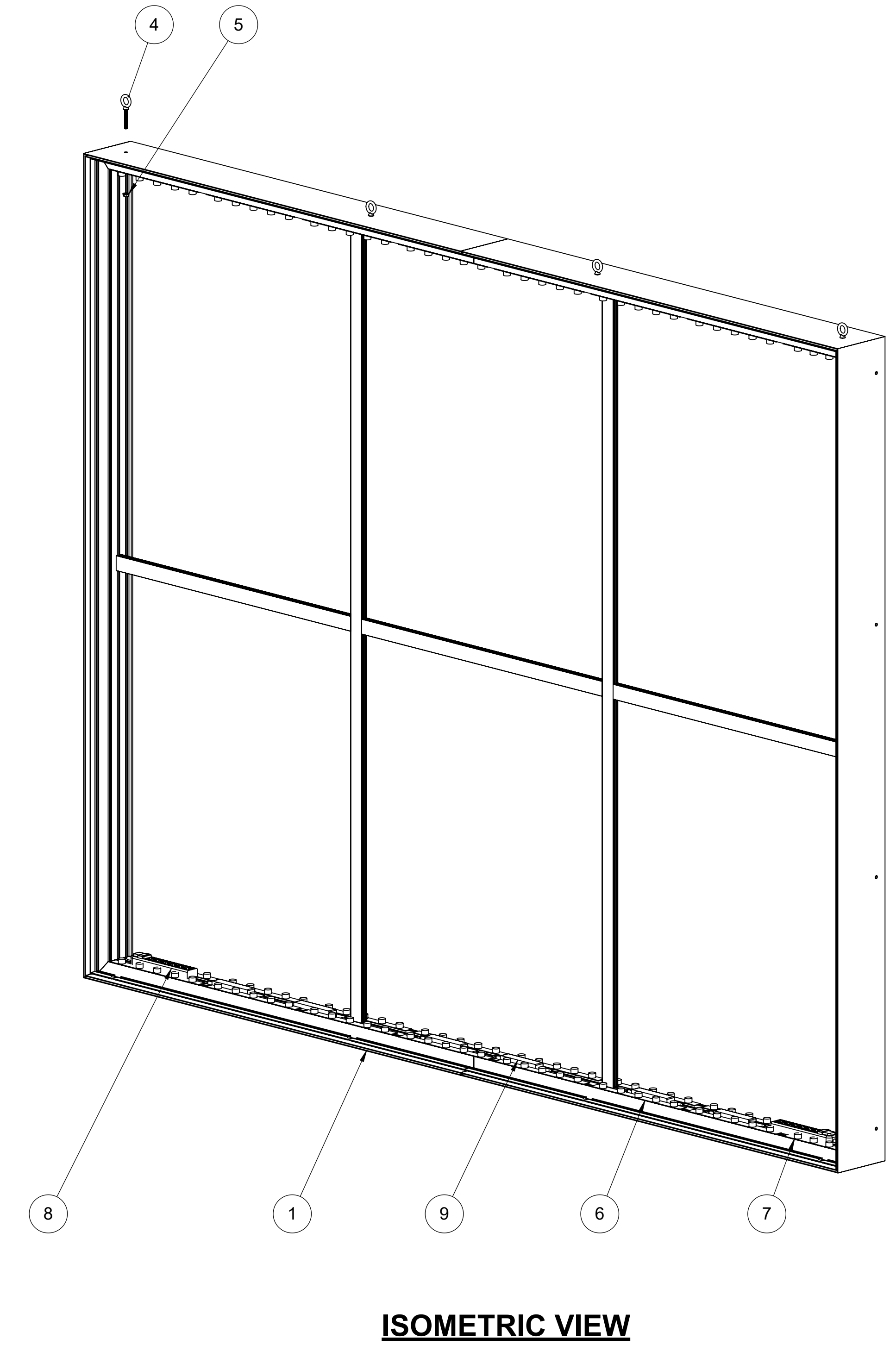
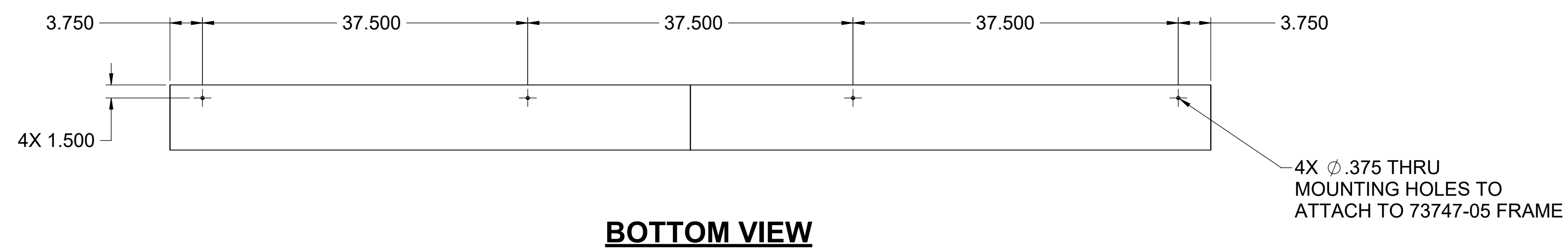
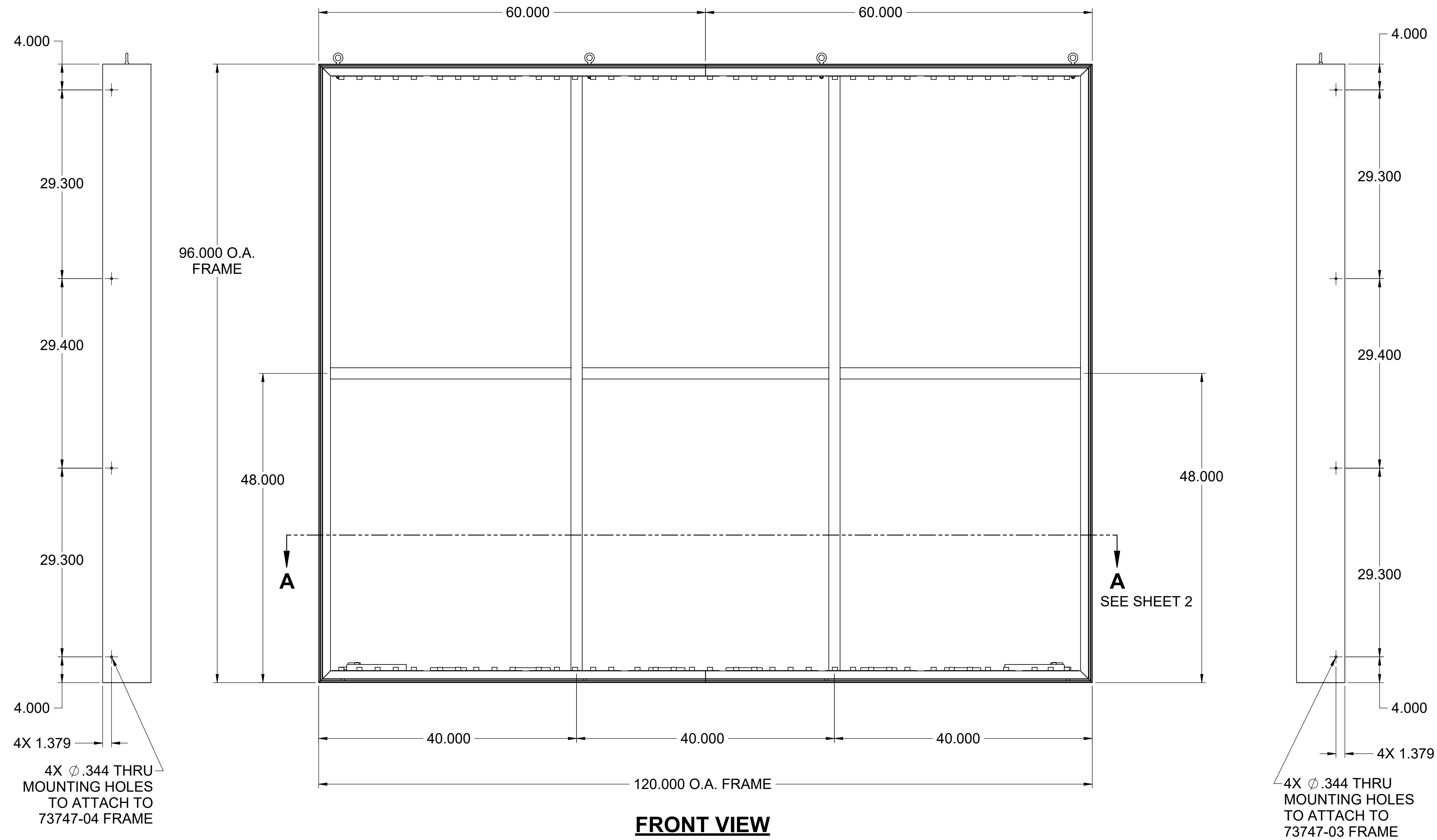
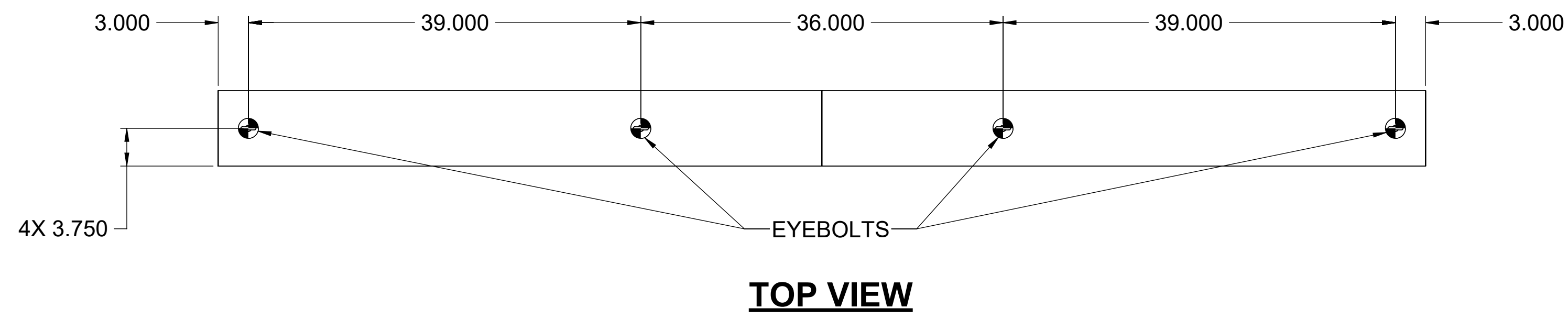
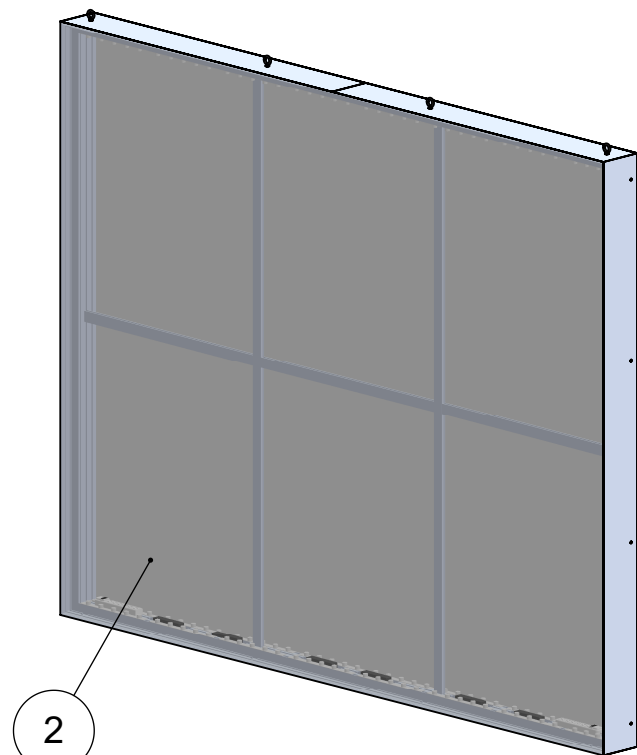
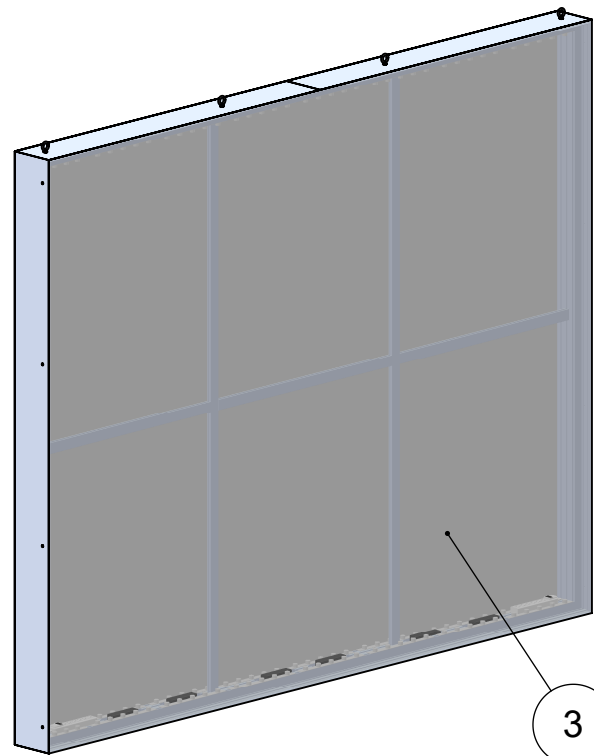


BILL OF MATERIALS			
ITEM NO.	PART NUMBER	DESCRIPTION	QTY.
1	73747-06-01	120"W X 96"H ES FRAME	1
2	73747-06-02	FABRIC	1
3	73747-06-03	FABRIC	1
4	FAB14002	EYEBOLT 0.3125-18 X 2.25	4
5	FAB90385	FLANGE HNUT 0.3125-18-GD8-ZN	4
6	FAB17020	OEM TECTONICS 5 NODE LED STRIP	28
7	FAB17021	OEM TECTONICS 3 NODE LED STRIP	4
8	FAB27007	6 OUTLET SURGE PROTECTOR	2
9	FAB17022	24V 90W POWER SUPPLY	6
10	HD IL 07	SPLICE LOCK	2
11	HD CL 06	CORNER LOCK	4
12	HD SL 01	STRAIGHT LOCK	10



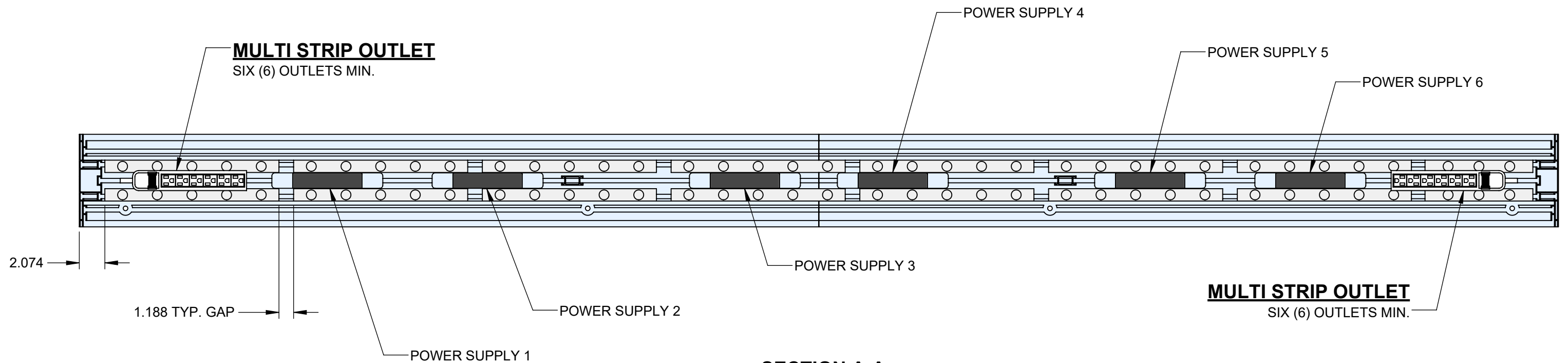


FABRIC VIEW



FABRIC VIEW

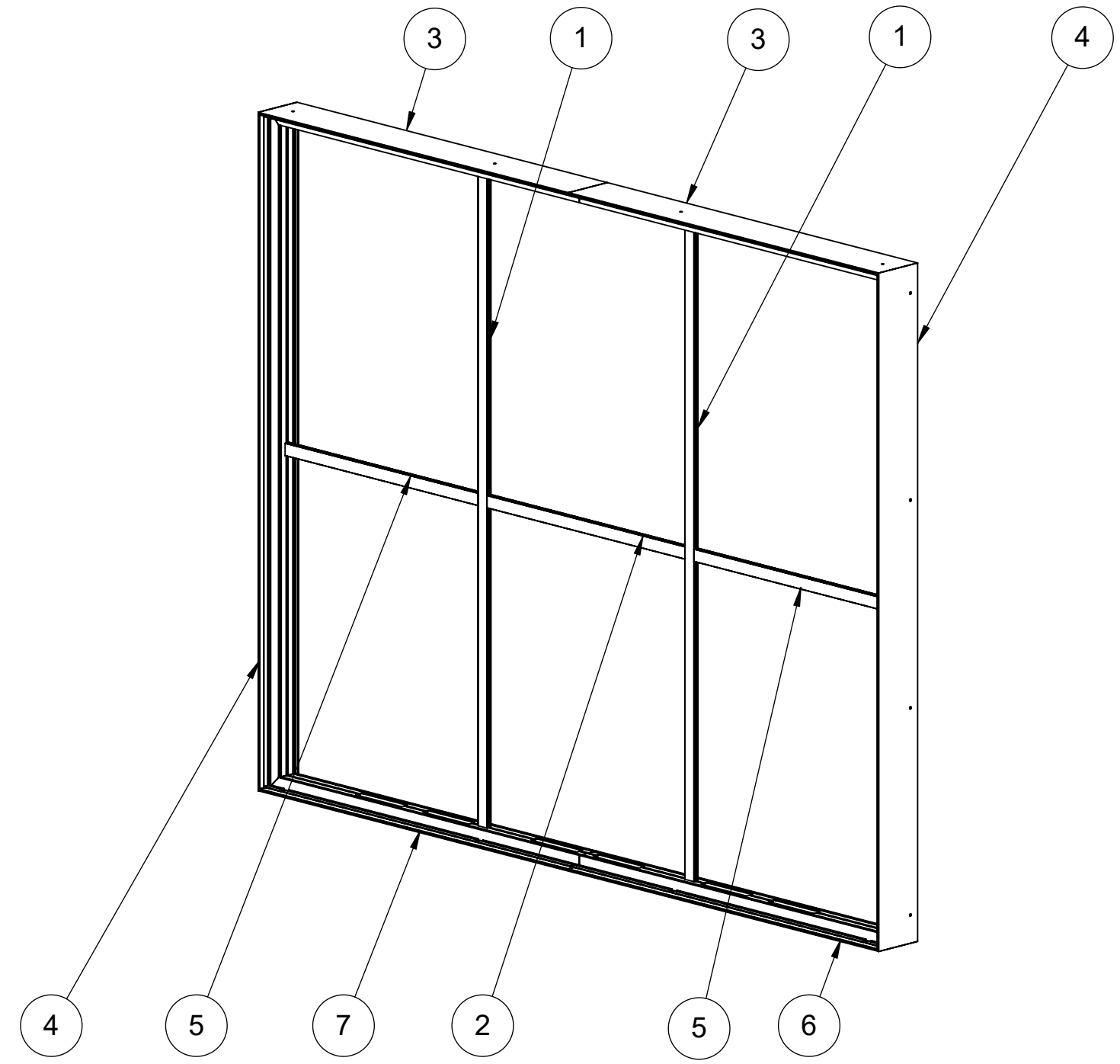
BILL OF MATERIALS			
ITEM NO.	PART NUMBER	DESCRIPTION	QTY.
1	73747-06-01	120"W X 96"H ES FRAME	1
2	73747-06-02	FABRIC	1
3	73747-06-03	FABRIC	1
4	FAB14002	EYEBOLT 0.3125-18 X 2.25	4
5	FAB90385	FLANGE H Nut 0.3125-18-GD8-ZN	4
6	FAB17020	OEM TECTONICS 5 NODE LED STRIP	28
7	FAB17021	OEM TECTONICS 3 NODE LED STRIP	4
8	FAB27007	6 OUTLET SURGE PROTECTOR	2
9	FAB17022	24V 90W POWER SUPPLY	6
10	HD IL 07	SPLICE LOCK	2
11	HD CL 06	CORNER LOCK	4
12	HD SL 01	STRAIGHT LOCK	10



SECTION A-A
LIGHTING CONFIGURATION TYP
BOTTOM FRAME AND TOP FRAME
 SCALE_1 : 8

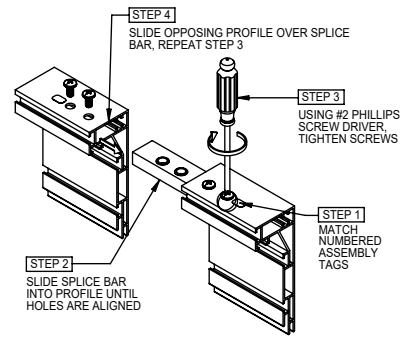
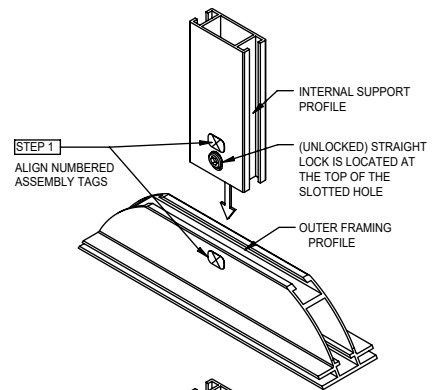


SNAP TUBE CUT-LIST α				
ITEM NO.	PART NUMBER	DESCRIPTION	QTY.	LENGTH
1	73747-06-01-1	SP 2L 02 (SUPPORT PROFILE)	2	92.352
2	73747-06-01-2	SP 2L 02 (SUPPORT PROFILE)	1	38.25
3	73747-06-01-3	LP 2G 01 (LIGHTING PROFILE)	2	60
4	73747-06-01-4	LP 2G 01 (LIGHTING PROFILE)	2	96
5	73747-06-01-5	SP 2L 02 (SUPPORT PROFILE)	2	37.301
6	73747-06-01-6	LP 2G 01 (LIGHTING PROFILE)	1	60
7	73747-06-01-7	LP 2G 01 (LIGHTING PROFILE)	1	60

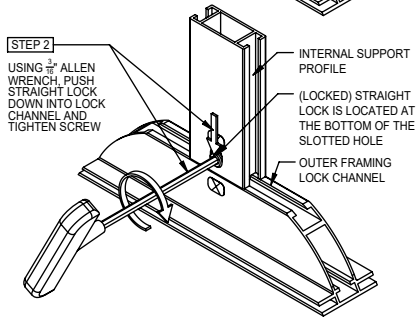


ISOMETRIC VIEW

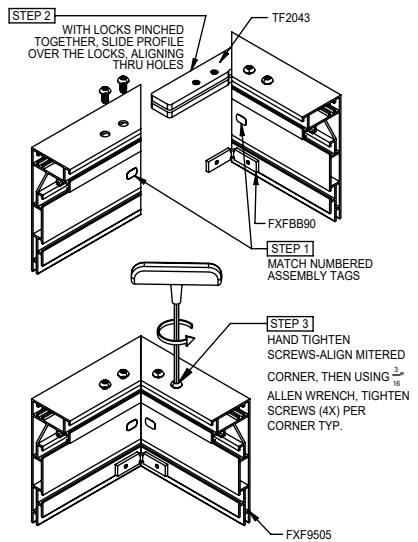




POSITIVE SPLICE LOCK CONNECTION
SCALE: FULL



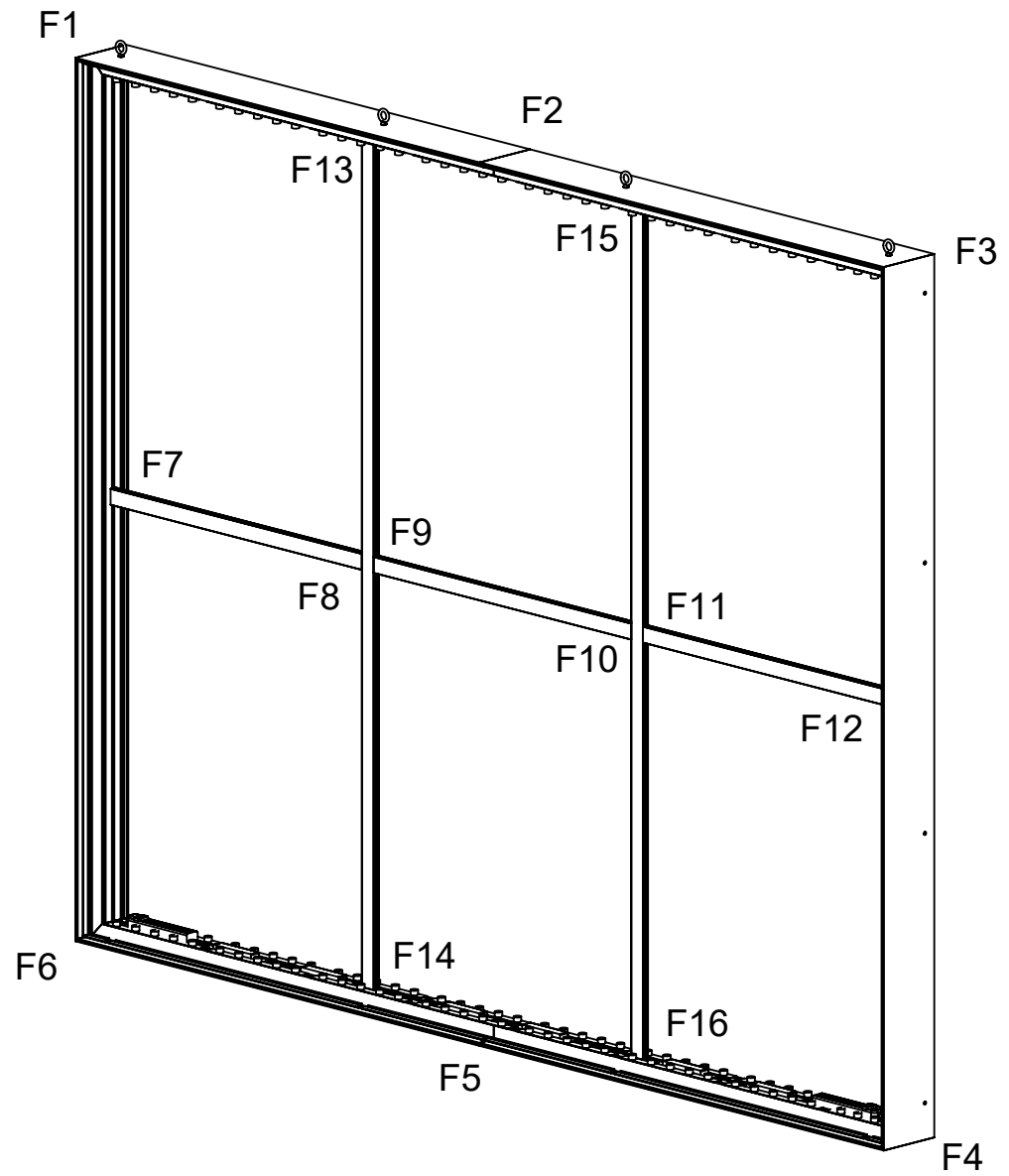
STRAIGHT LOCK CONNECTION
SCALE: FULL



COMPRESSION LOCK CONNECTION
SCALE: FULL

BILL OF MATERIALS

ITEM NO.	PART NUMBER	DESCRIPTION	QTY.
1	73747-06-01	120"W X 96"H ES FRAME	1
2	73747-06-02	FABRIC	1
3	73747-06-03	FABRIC	1
4	FAB14002	EYEBOLT 0.3125-18 X 2.25	4
5	FAB90385	FLANGE HNUT 0.3125-18-GD8-ZN	4
6	FAB17020	OEM TECTONICS 5 NODE LED STRIP	28
7	FAB17021	OEM TECTONICS 3 NODE LED STRIP	4
8	FAB27007	6 OUTLET SURGE PROTECTOR	2
9	FAB17022	24V 90W POWER SUPPLY	6
10	HD IL 07	SPLICE LOCK	2
11	HD CL 06	CORNER LOCK	4
12	HD SL 01	STRAIGHT LOCK	10



ASSEMBLY ISOMETRIC

X MATCH JOINT TAG WITH NUMBERED DECALS ON FRAME