

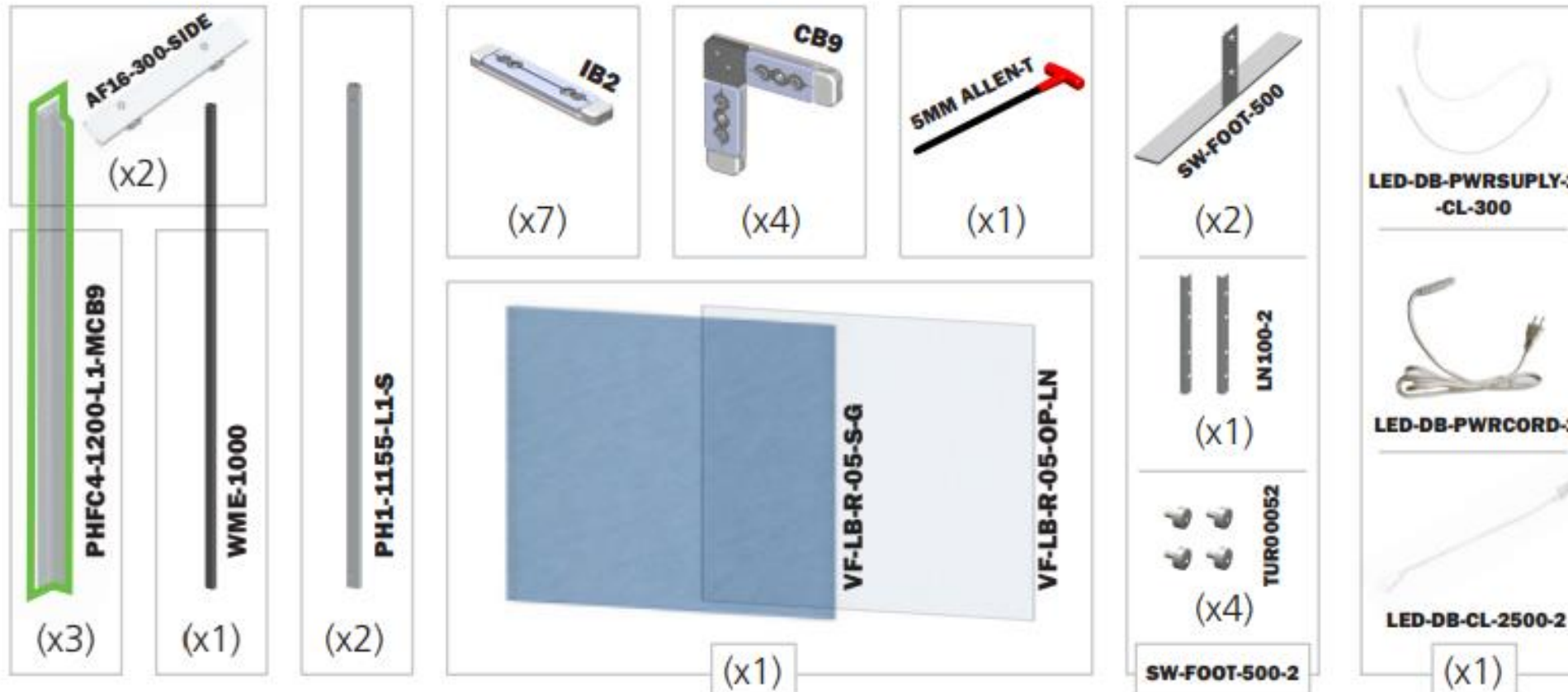
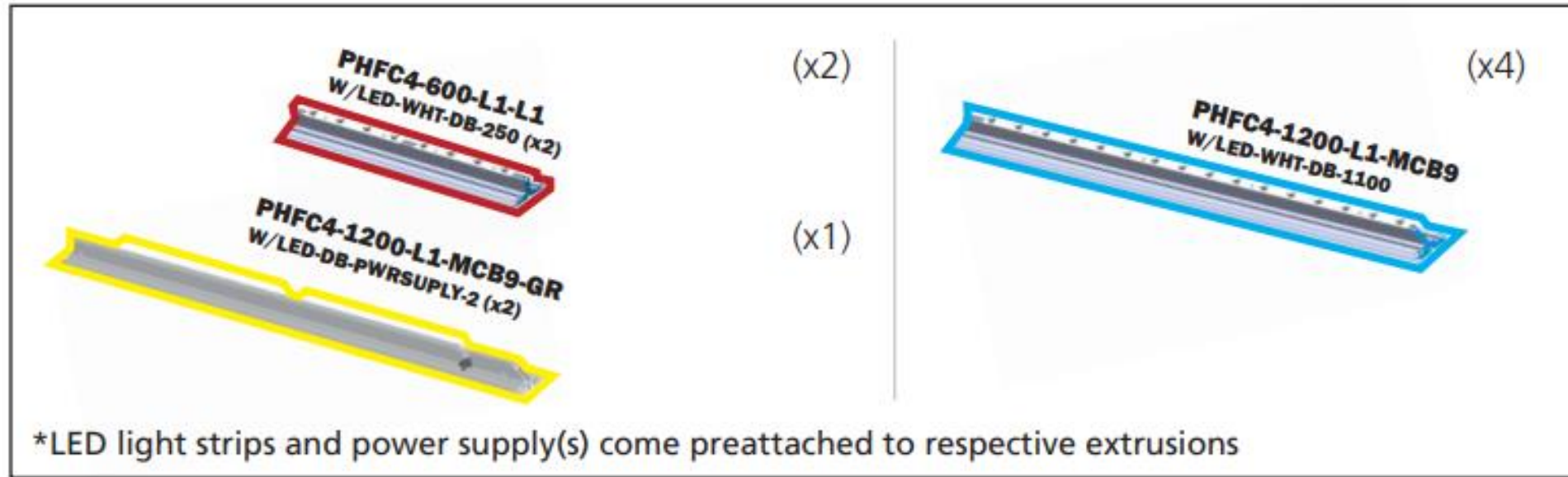
H&H 10x30 – Set up Instructions



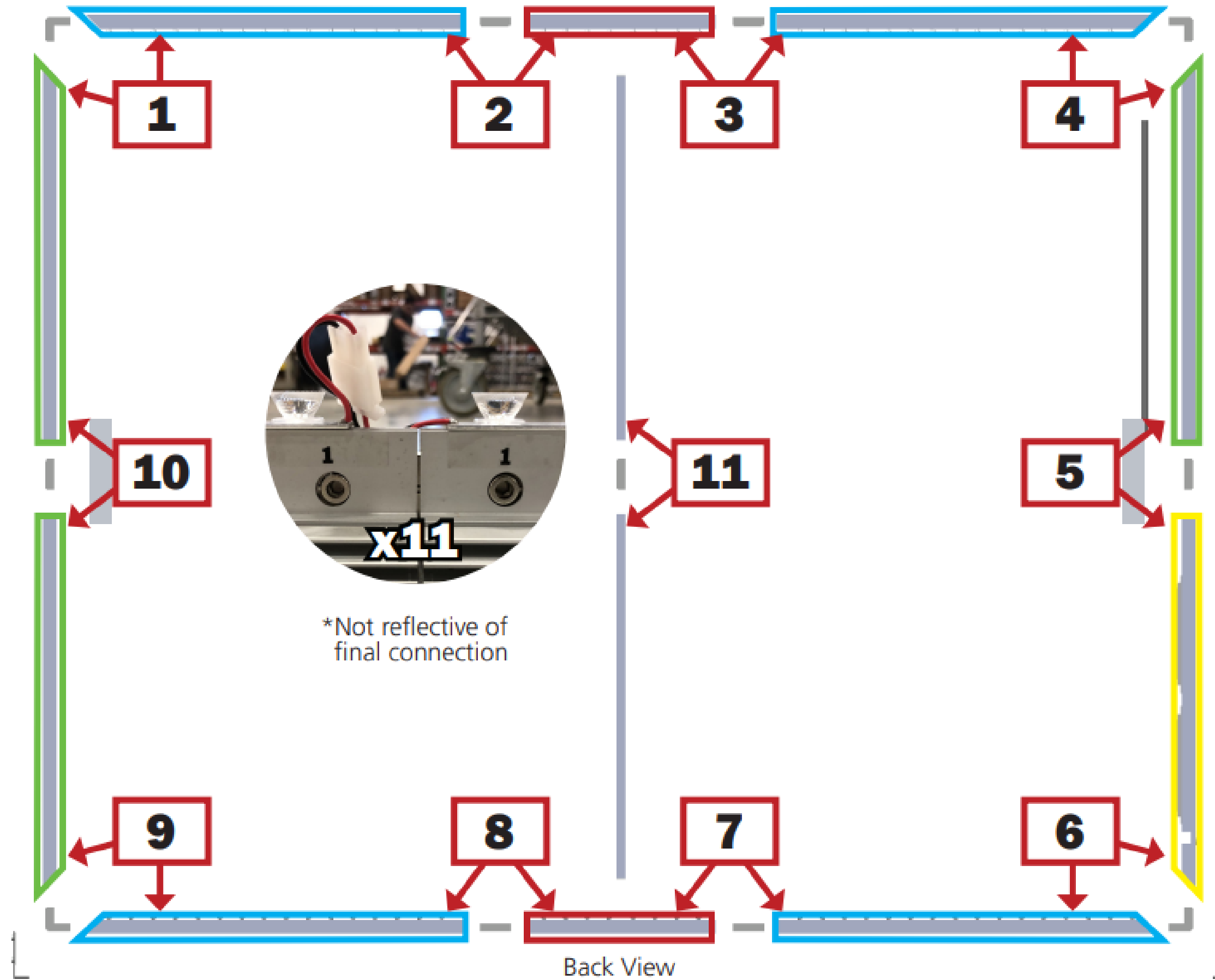
Table of Contents	– Page 2
SEG Lightbox Assembly	– Page 3
Tools & Equipment Needed	– Page 7
Electrical Drops	– Page 8
Flooring	– Page 9
Green Section	– Page 10
Red Section	– Page 13
Blue Section	– Page 15
Final Touches	– Page 18

SEG GRAPHIC LIGHT BOX ASSEMBLY INSTRUCTIONS

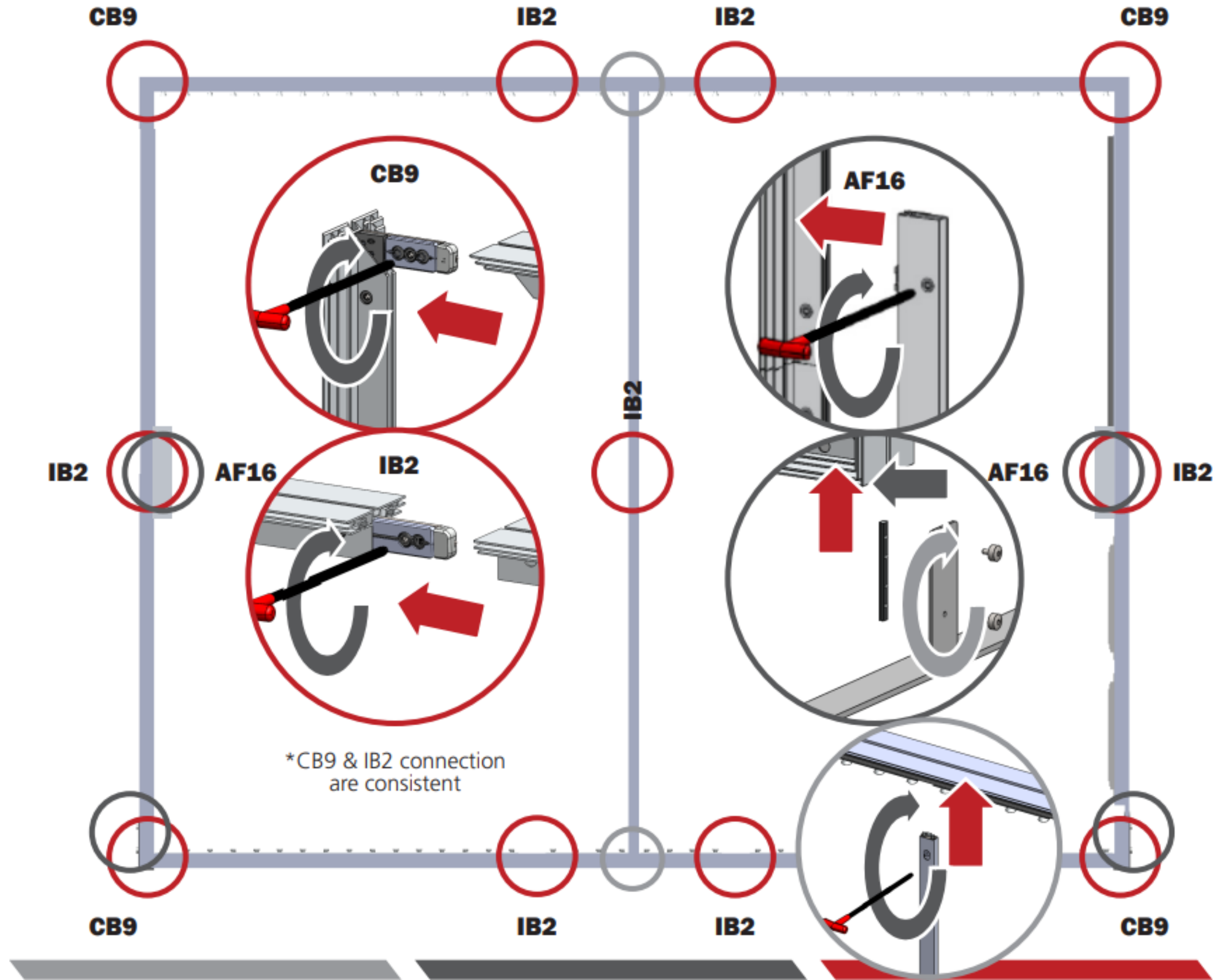
(Referenced on pages 12, 13, & 15)



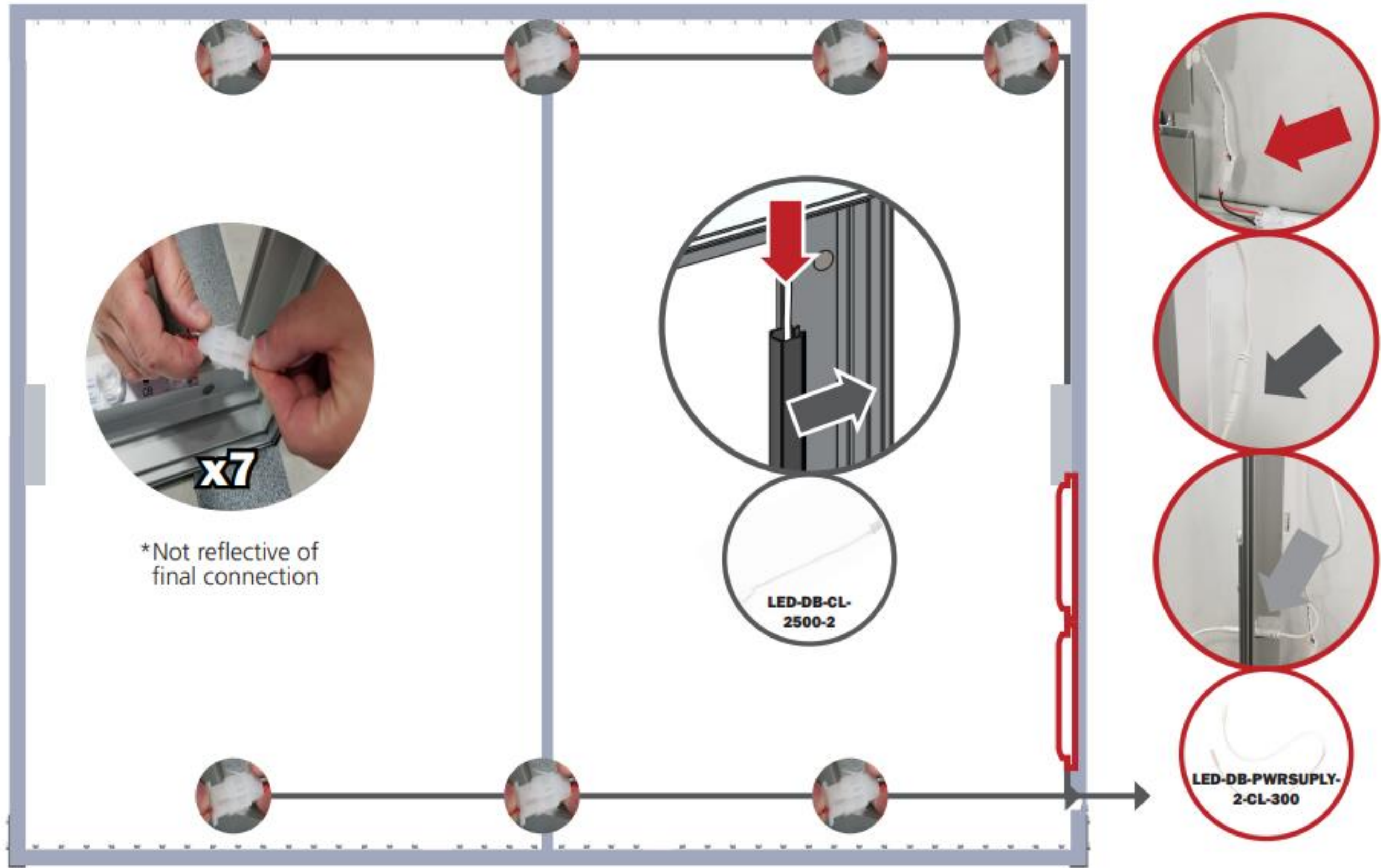
H&H 10x30 – Set up Instructions – SEG



H&H 10x30 – Set up Instructions – SEG



H&H 10x30 – Set up Instructions – SEG

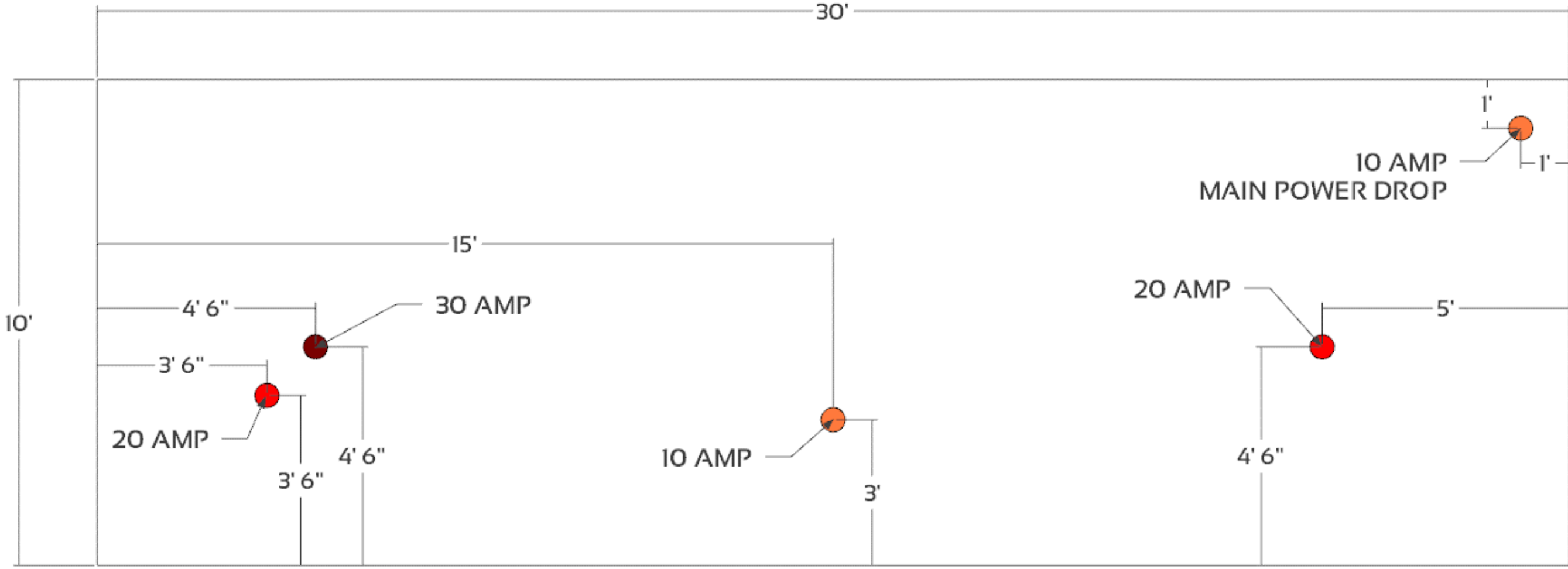


Tools & Equipment Needed

- 1) Impact Drill with 1/4" - 20 driver**
- 2) 2 - 6' Ladders**
- 3) Genie Lift**
- 4) Hot knife**

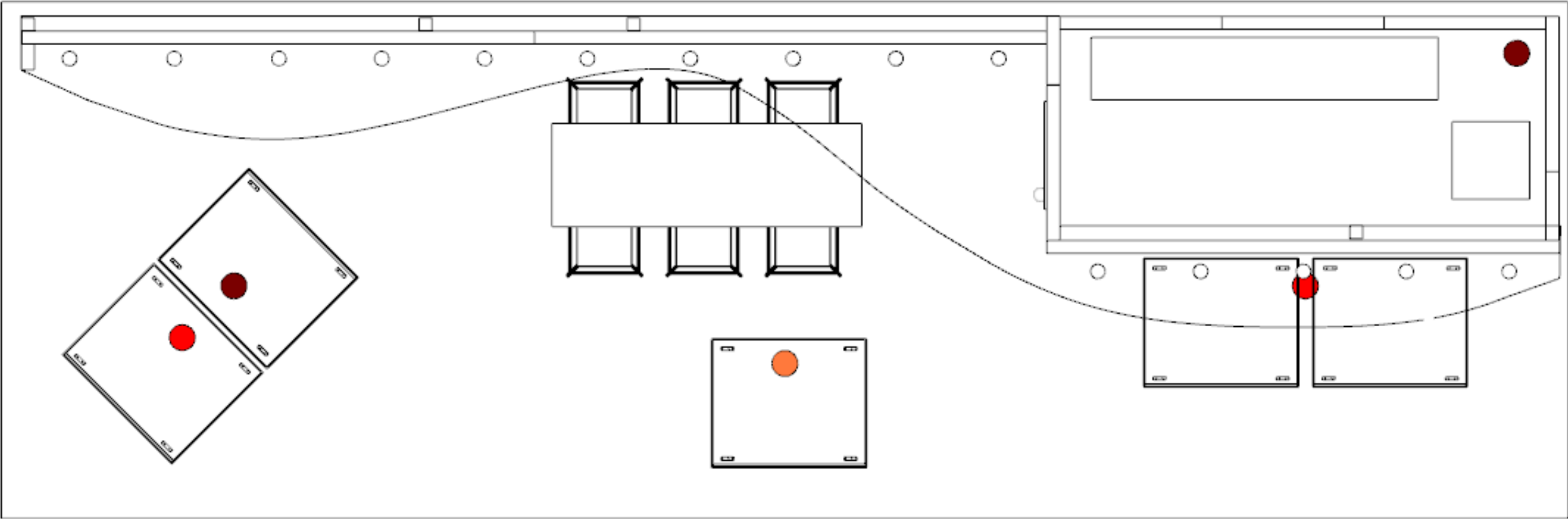
H&H 10x30 – Set up Instructions – Power Drops

Ensure that the booth orientation is correct and that all power drops are in the correct locations



H&H 10x30 – Set up Instructions – Power Drops

Ensure that the booth orientation is correct and that all power drops are in the correct locations

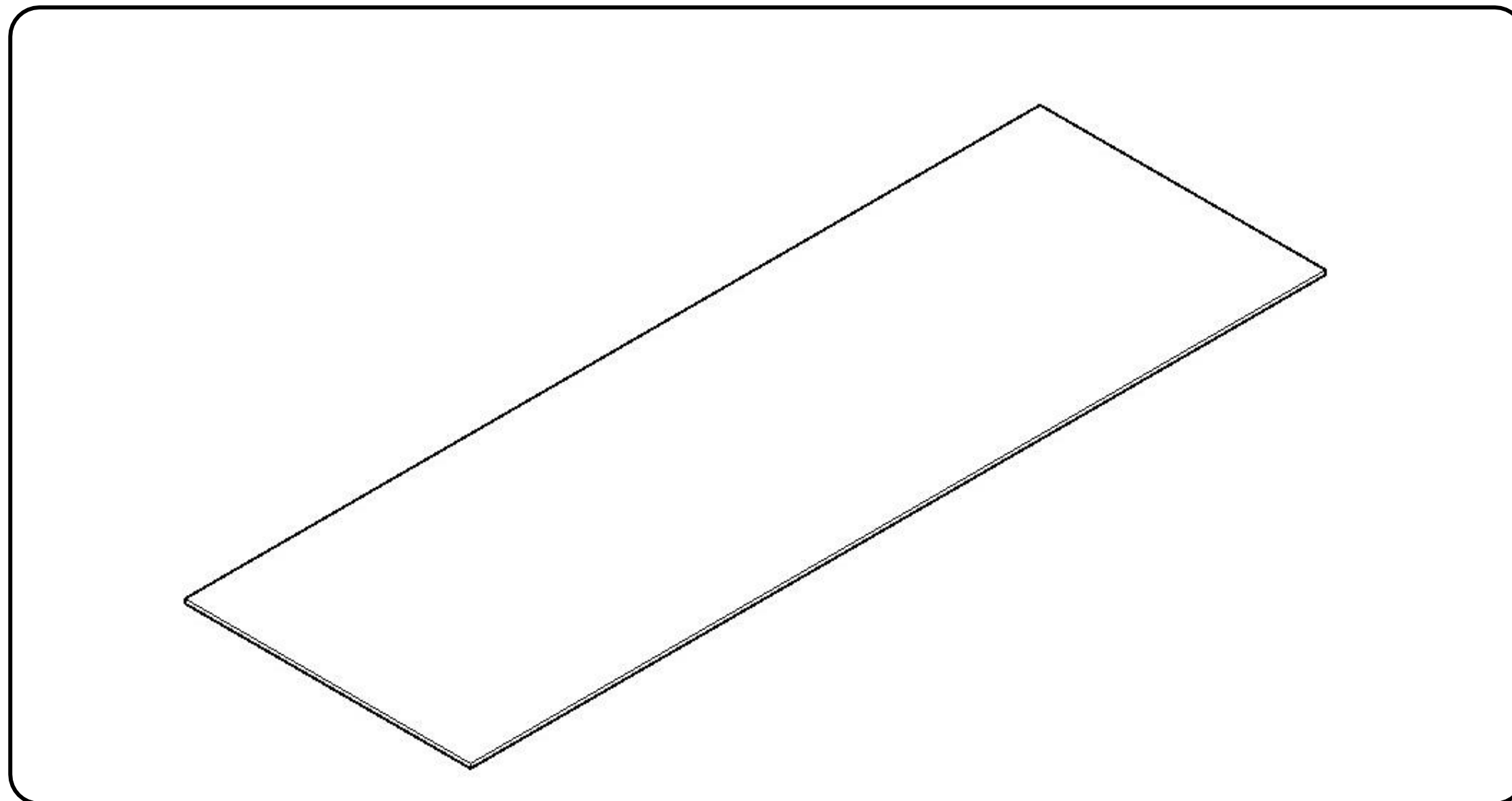


H&H 10x30 – Set up Instructions - Flooring

Align **Padding** and roll out, trimming off any excess.

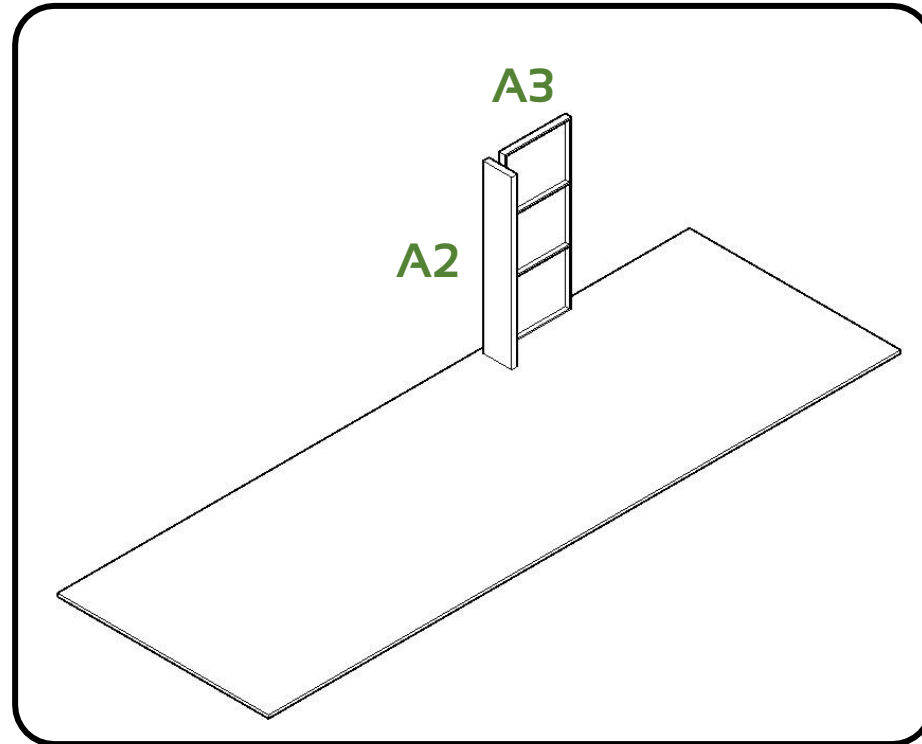
Once **padding** is down, lay down the **Flooring**

After **Flex Floor** is down, use **VisQueen** to help protect it until show day.

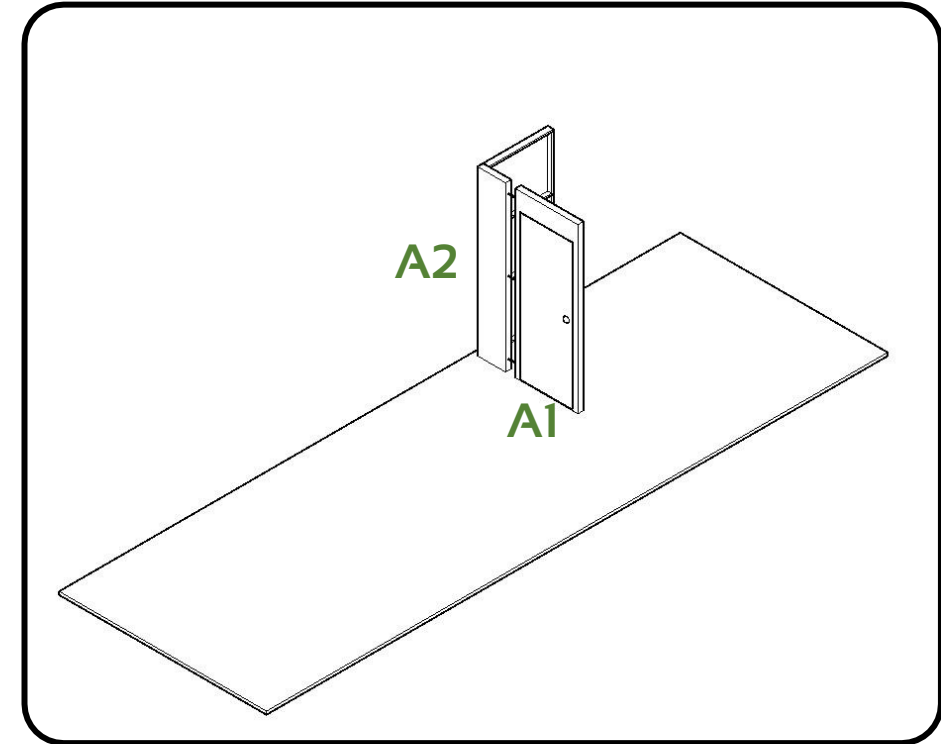


H&H 10x30 – Set up Instructions – Green Section

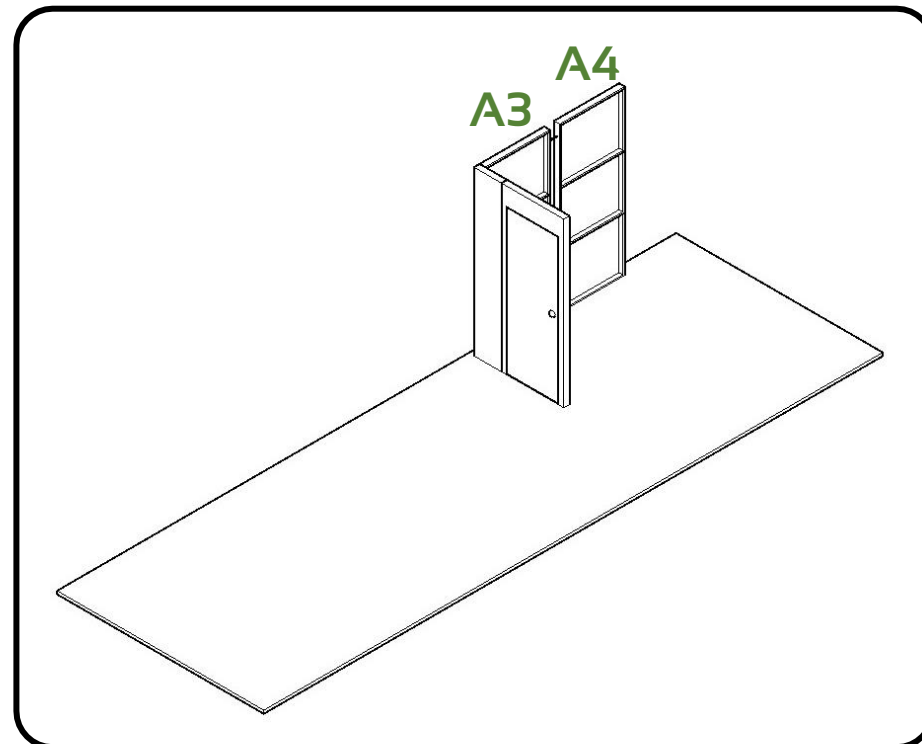
Begin to assemble the closet structure by aligning the **Green A2 Panel** with the **Green A3 Panel**. Once aligned, bolt into place using supplied **1/4-20 hex bolts**.



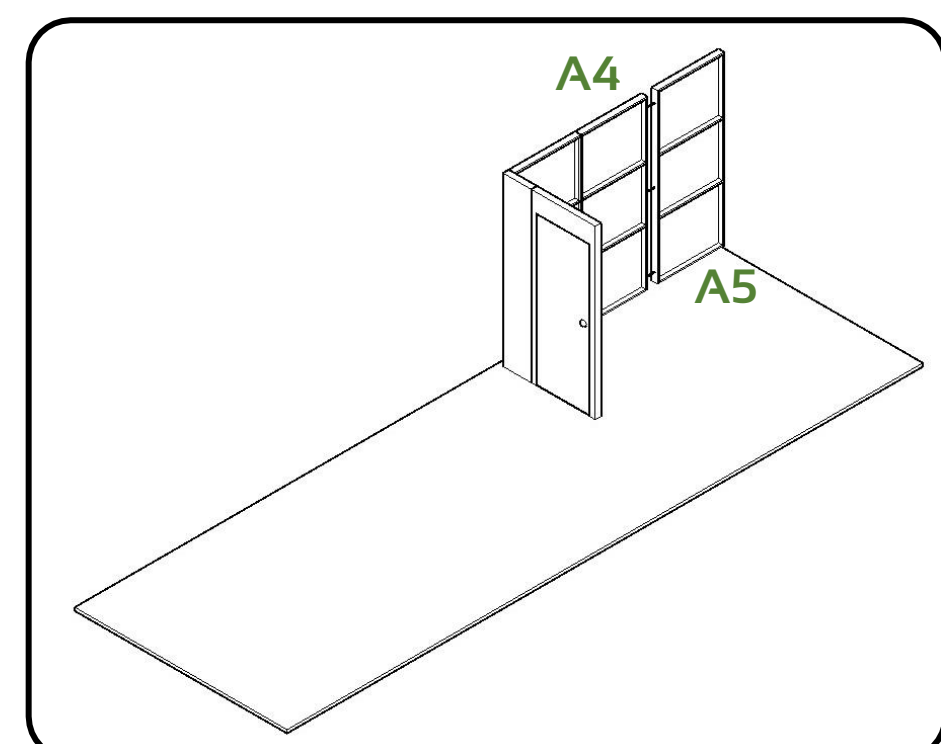
Now, align the **Green A2 Panel** with the **Green A1 Door Panel**. Once aligned, bolt into place using supplied **1/4-20 hex bolts**.



Align the **Green A3 Panel** with the **Green A4 Panel**. Once aligned, bolt into place using supplied **1/4-20 hex bolts**.

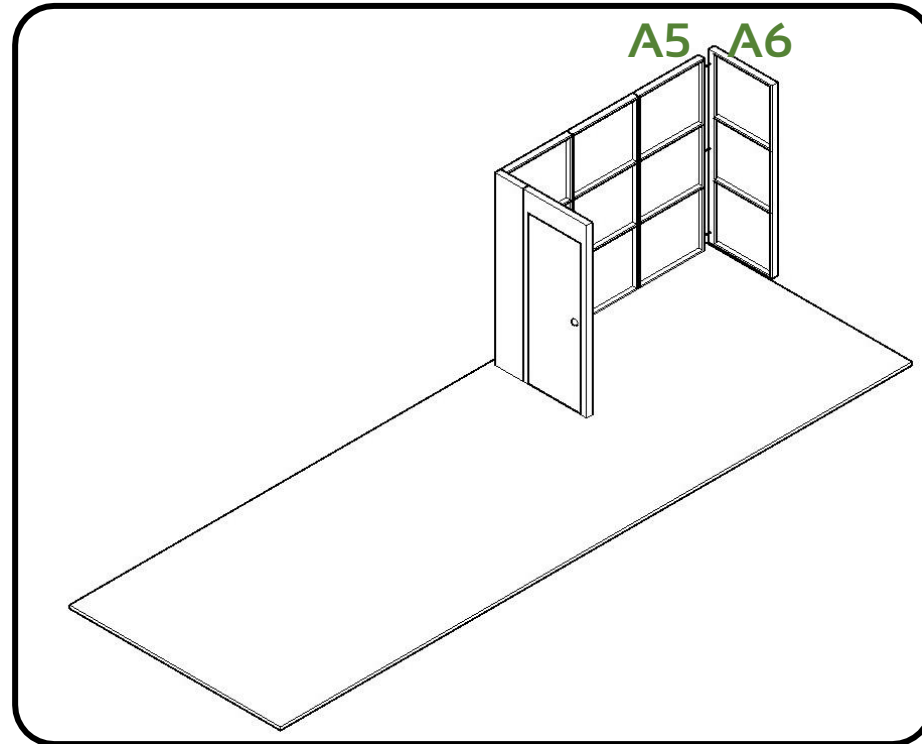


Align the **Green A4 Panel** with the **Green A5 Panel**. Once aligned, bolt into place using supplied **1/4-20 hex bolts**.

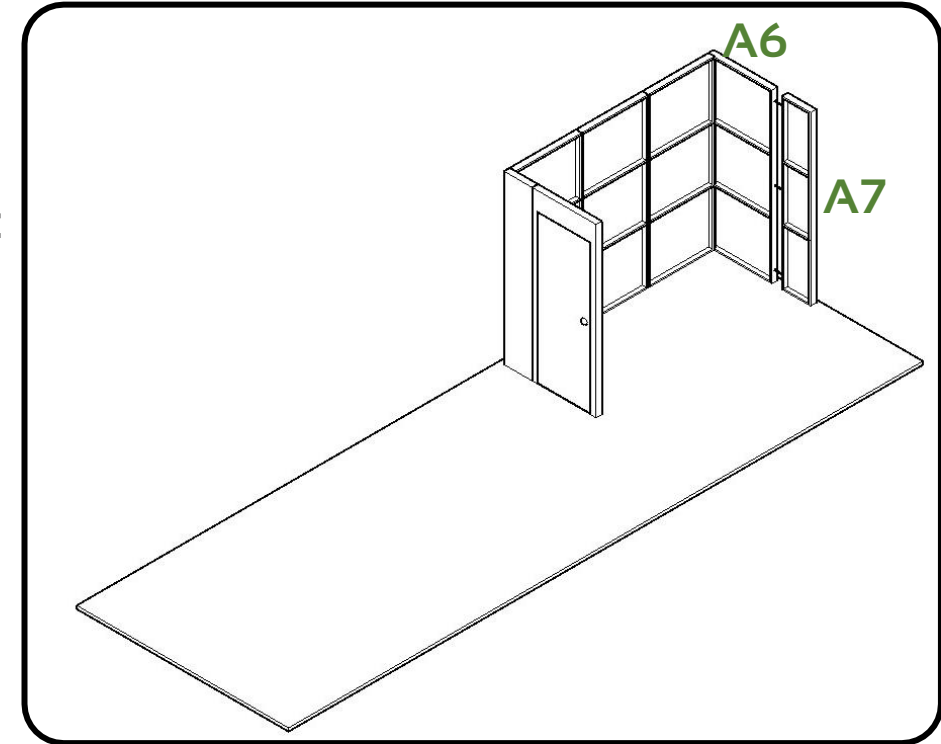


H&H 10x30 – Set up Instructions – Green Section

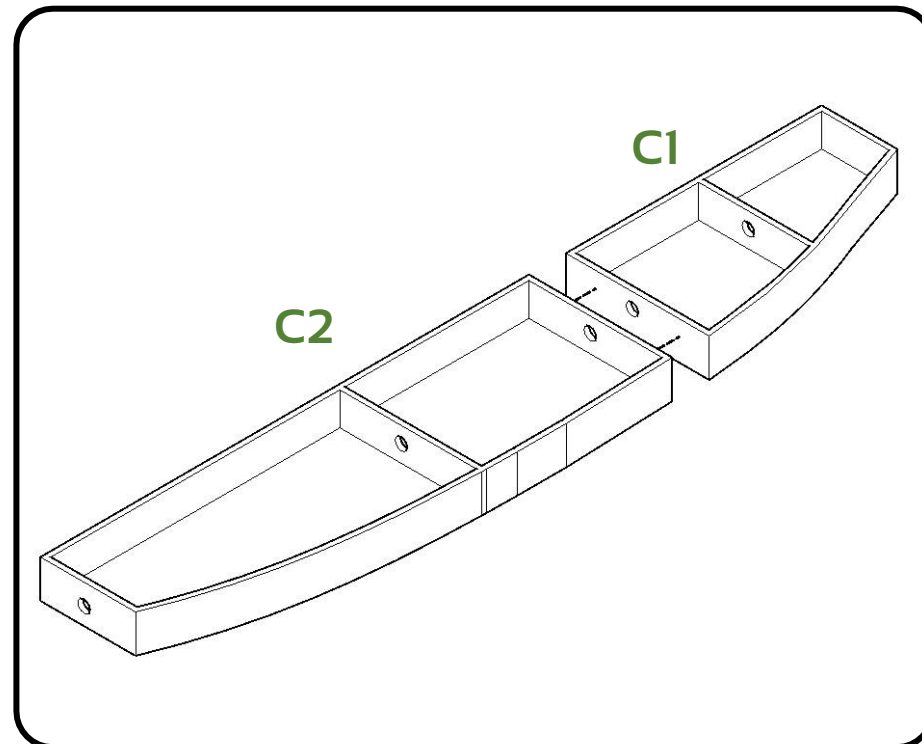
Align the Green A5 Panel with the Green A6 Panel (**Please note, Green A6 also has a Red A1 Label on it. Disregard this label, it is for a different orientation**). Once aligned, bolt into place using supplied **1/4-20 hex bolts**.



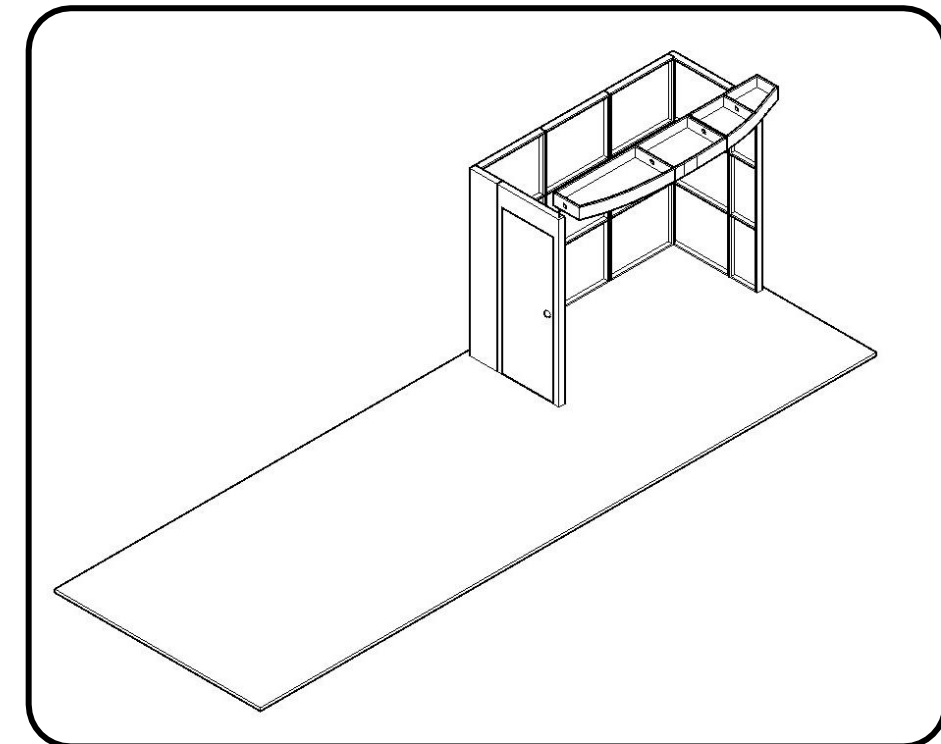
Align the Green A6 Panel with the Green A7 Panel. Once aligned, bolt into place using supplied **1/4-20 hex bolts**.



On the floor, align the Green C1 Canopy Panel with the Green C2 Canopy Panel. Once aligned, bolt into place using supplied **1/4-20 hex bolts**.



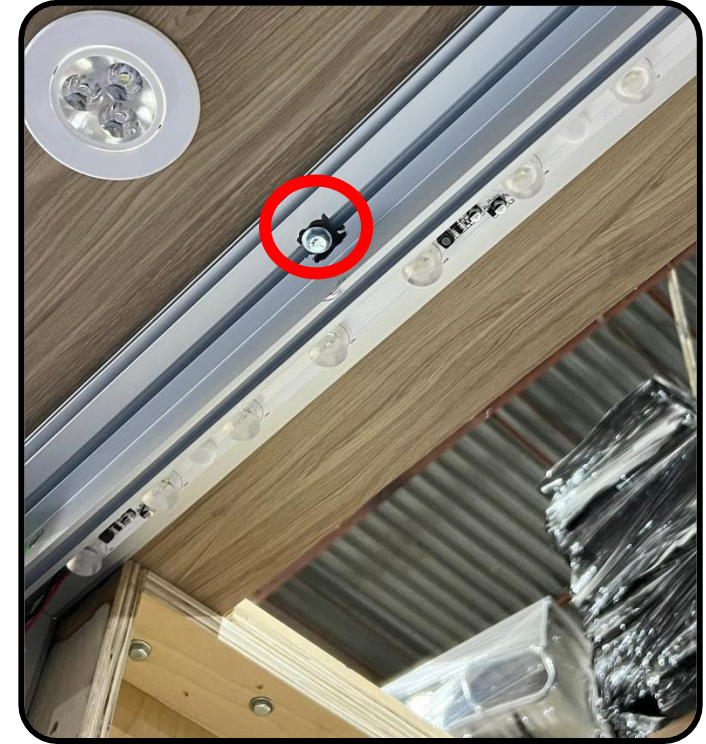
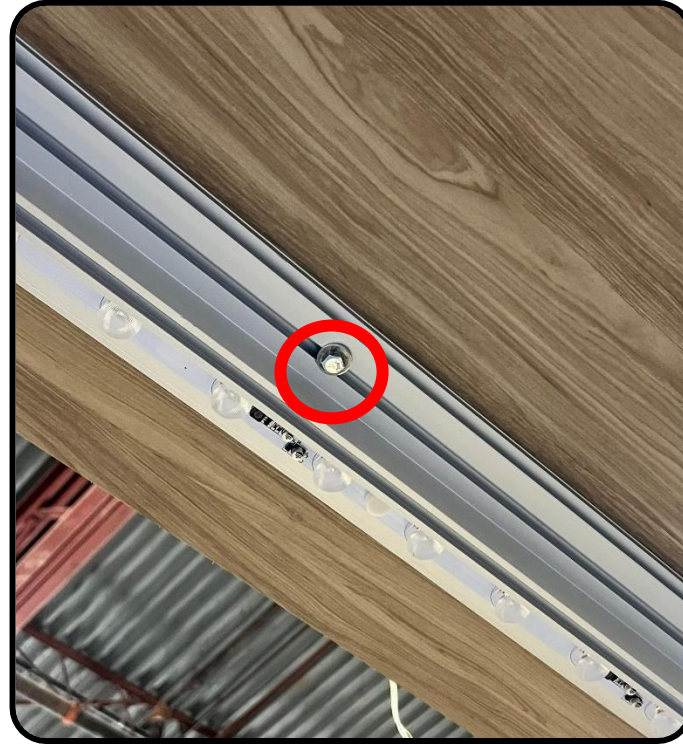
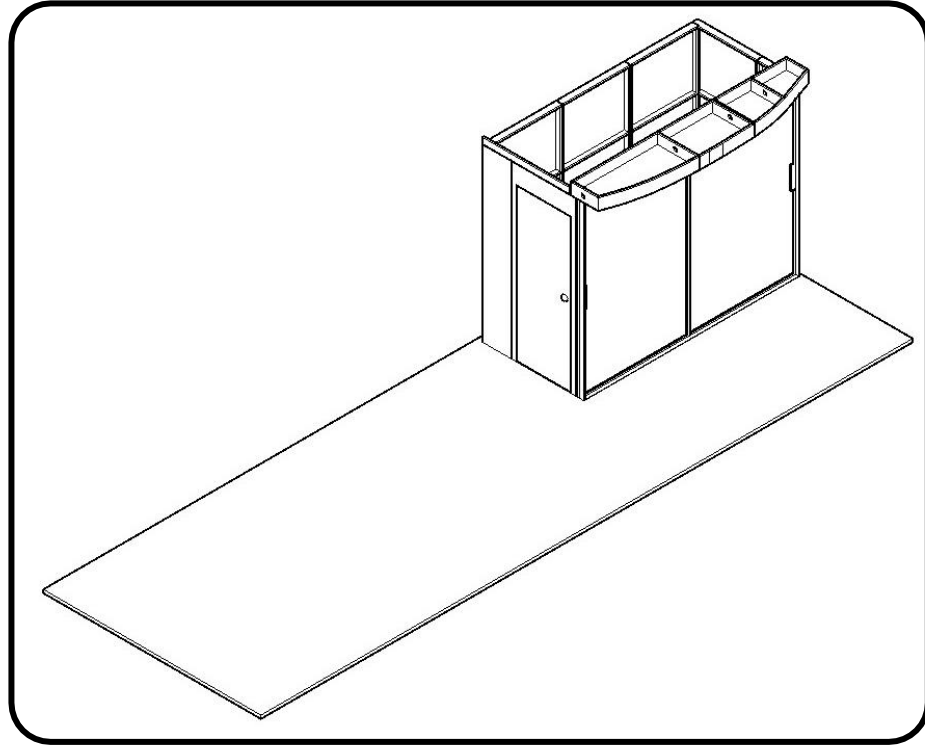
Carefully lift the canopy structure up and bolt into the closet structure. The bolt locations are located on the left and right sides of the closet canopy



H&H 10x30 – Set up Instructions – Green Section

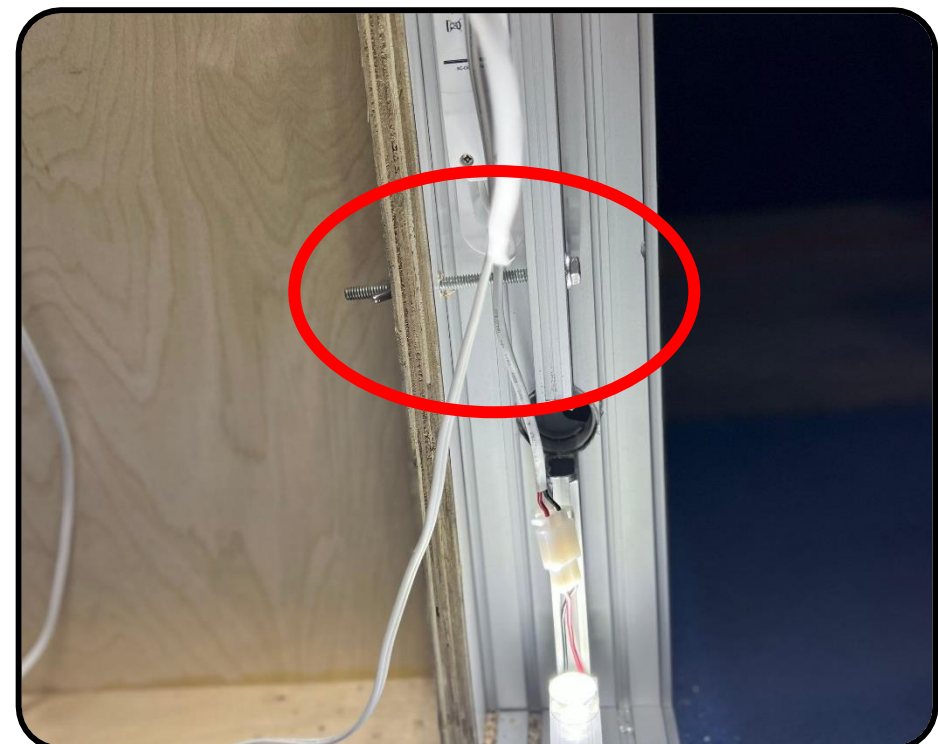
Assemble the **Green Labeled SEG Lightbox** according to the instructions on pages **3** through **6**. Then, apply the **backer fabric** to the **frame**.

Once **backer** is attached, slide the **frame** into place and bolt into the **canopy**



Bolt the frame into place along the lower right- and left-hand sides.

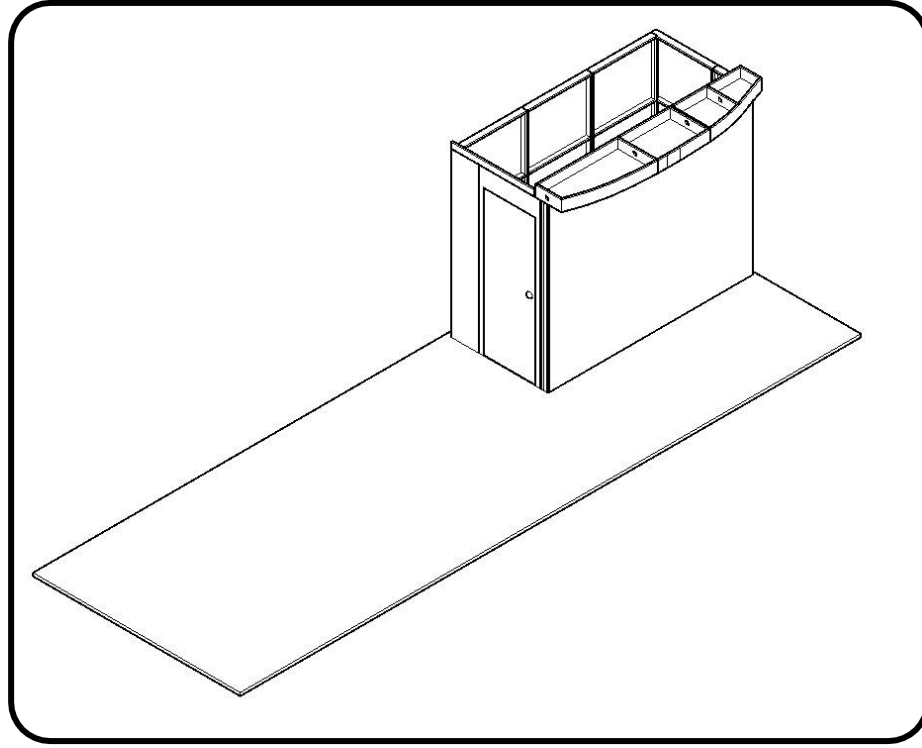
PLEASE NOTE:
The backer will need to be pierced with a hot-knife to allow for the bolts to pass through



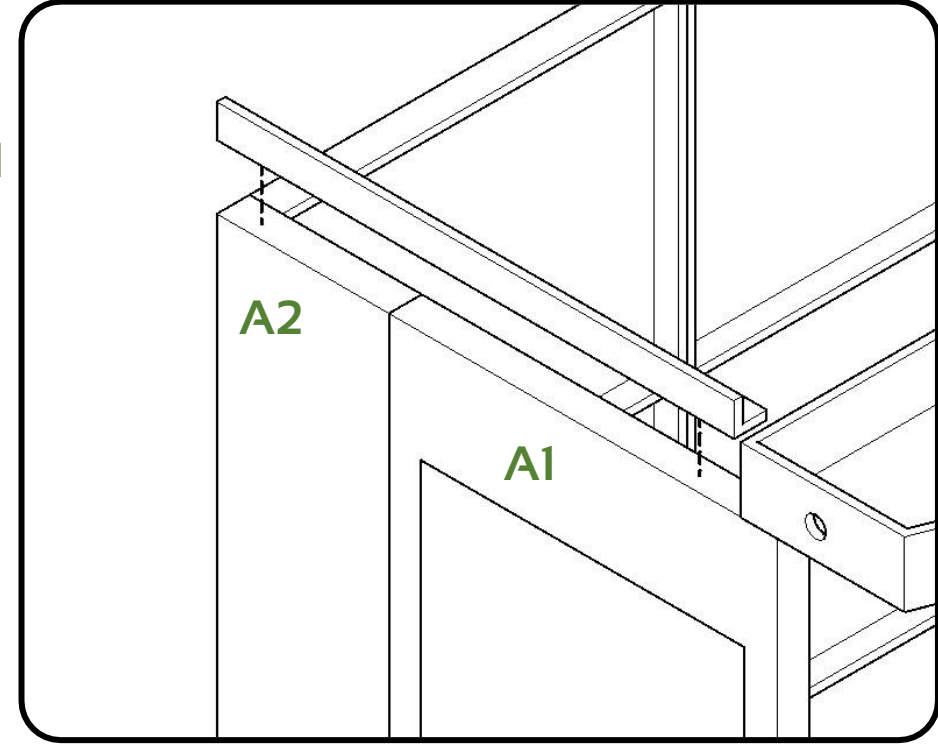
H&H 10x30 – Set up Instructions – Green & Red Sections

Apply the **front graphic** to the frame.

For more information on graphic placement, please see the graphics template

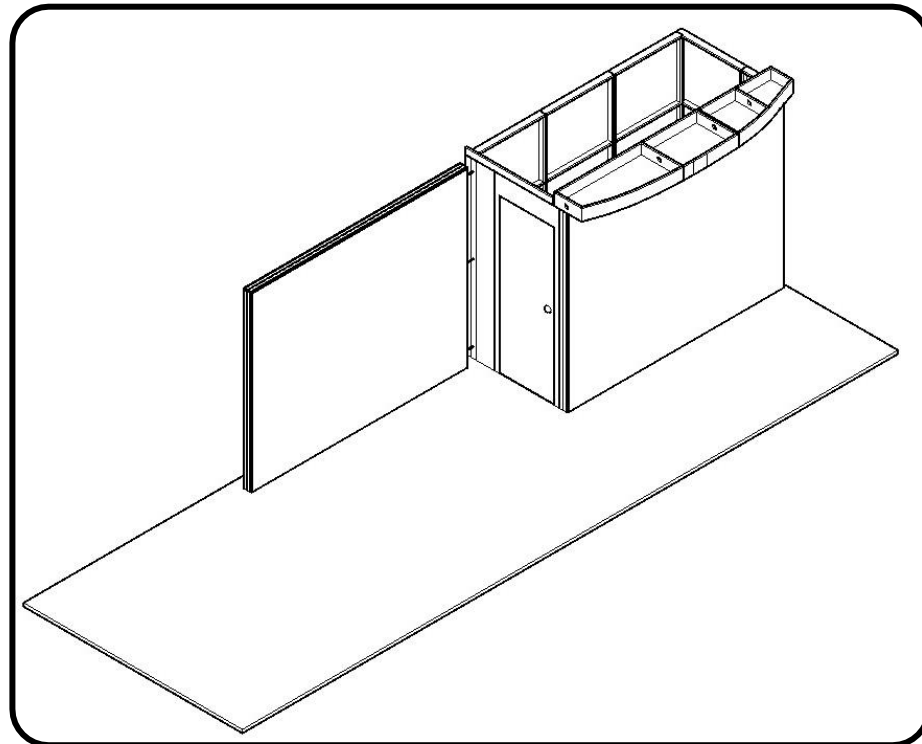


Bolt the canopy support to the top of panels **Green A1** and **Green A2**



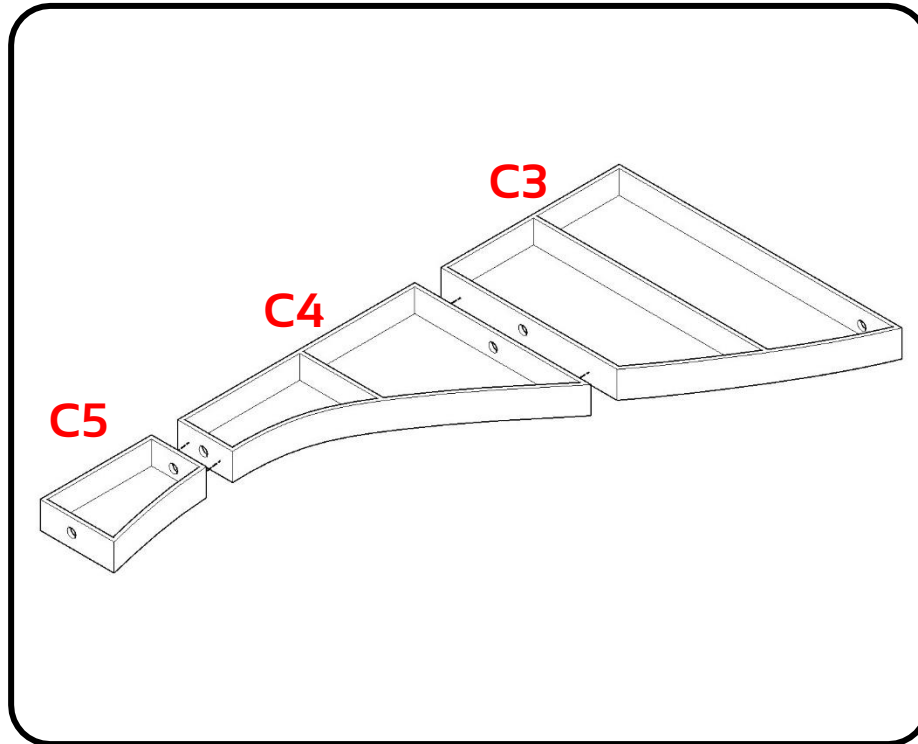
Assemble the **Red Labeled SEG Lightbox** according to the instructions on pages **3** through **6**. Then, apply the **front graphic** to the **frame**.

Once **graphic** is attached, slide the **frame** into place and bolt into the **closet**.



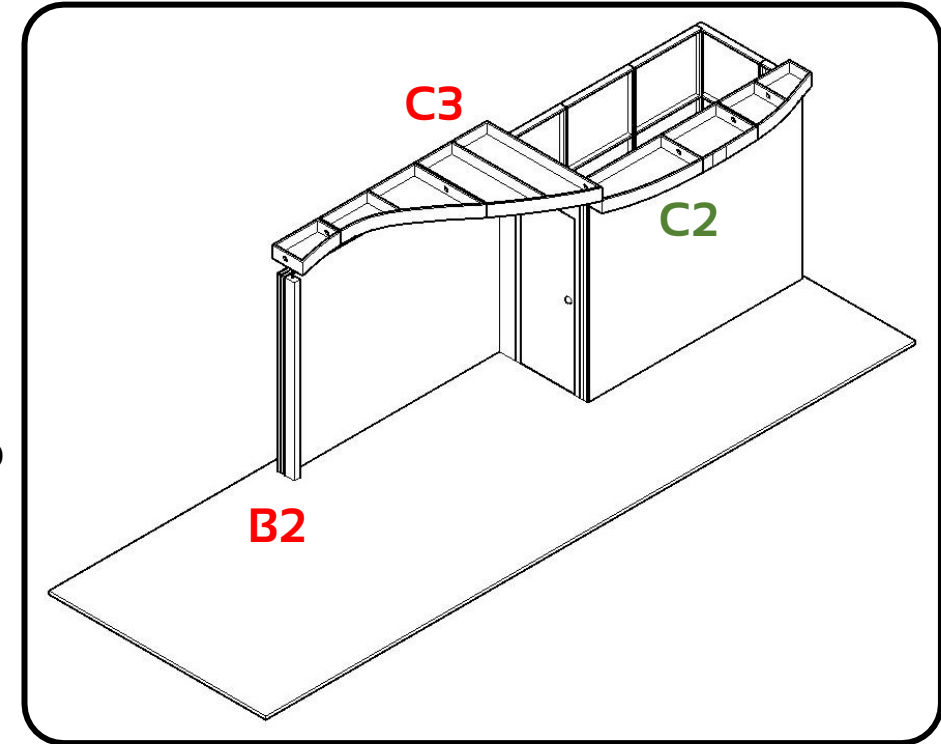
H&H 10x30 – Set up Instructions – Red Section

On the floor, align the **Red C3** Canopy Panel, the **Red C4** Canopy Panel and the **Red C5** Canopy Panel. Once aligned, bolt together using supplied **1/4-20 hex bolts**.

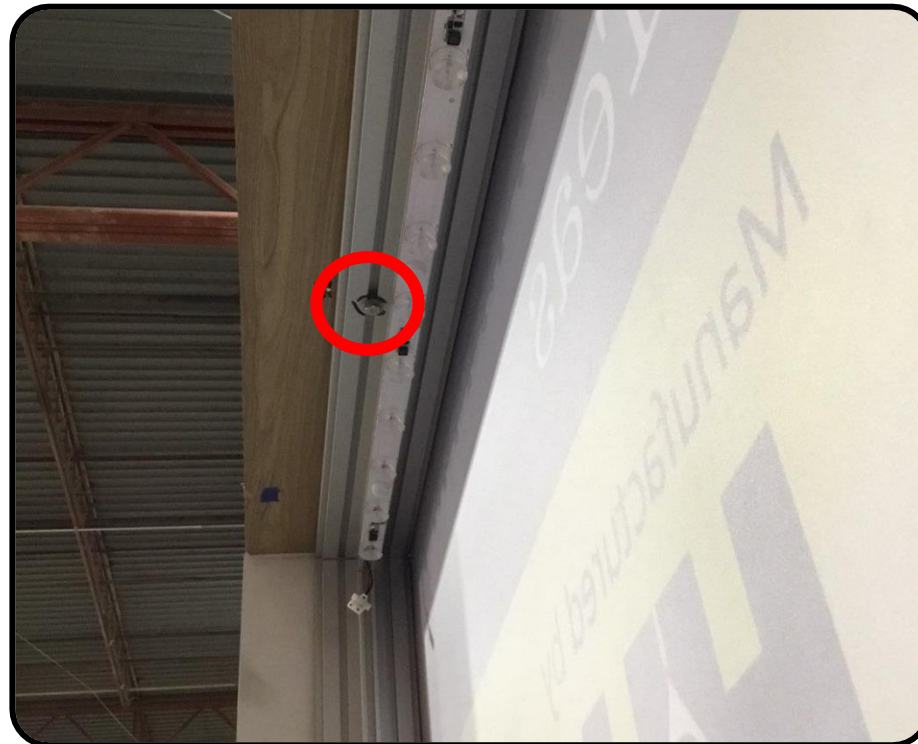


Carefully lift the canopy while supporting with **Red Support Pillar B2**.

Bolt the **Red C3** Canopy Panel into the **Green C2** Canopy Panel.



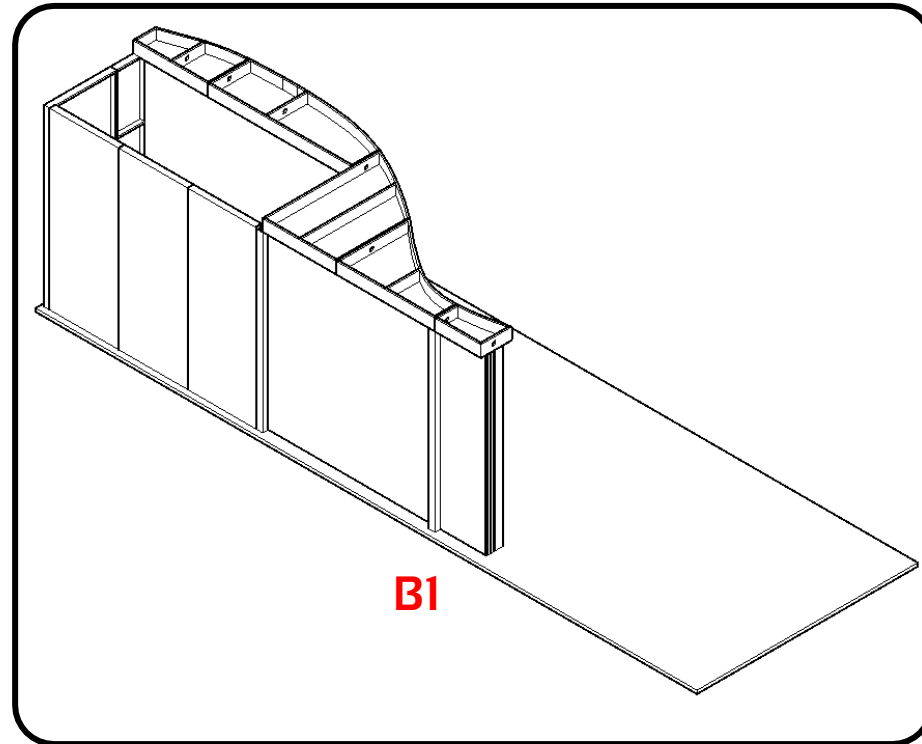
Bolt the SEG Frame into the canopy along the left, middle and right along the top of the frame



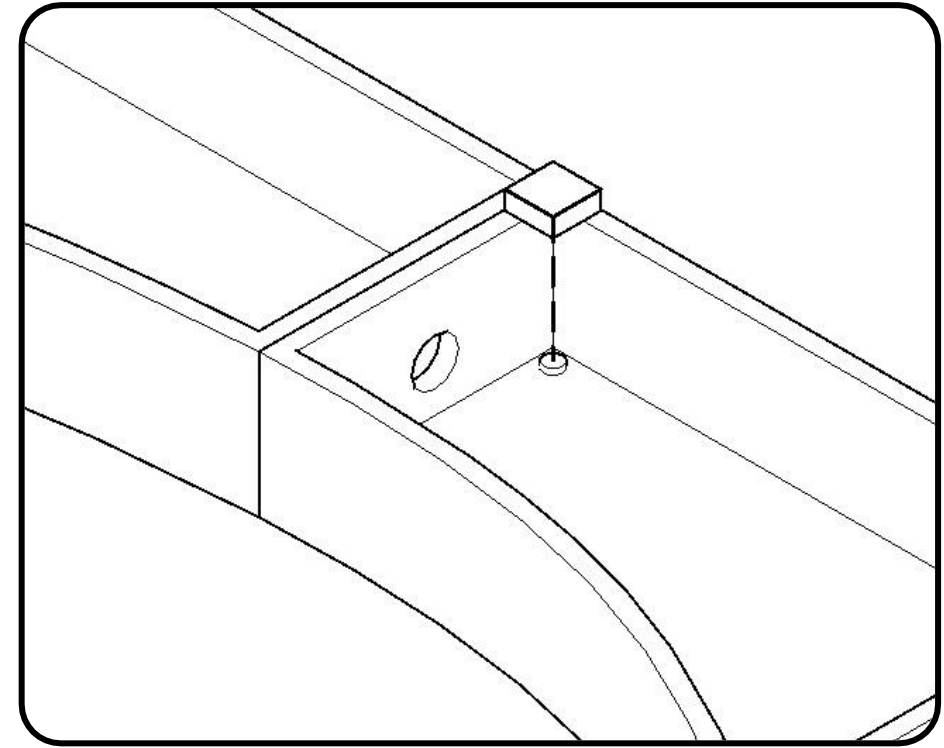
H&H 10x30 – Set up Instructions – Red & Blue Sections

Once Frame is in place, apply fabric backer to the SEG Frame.

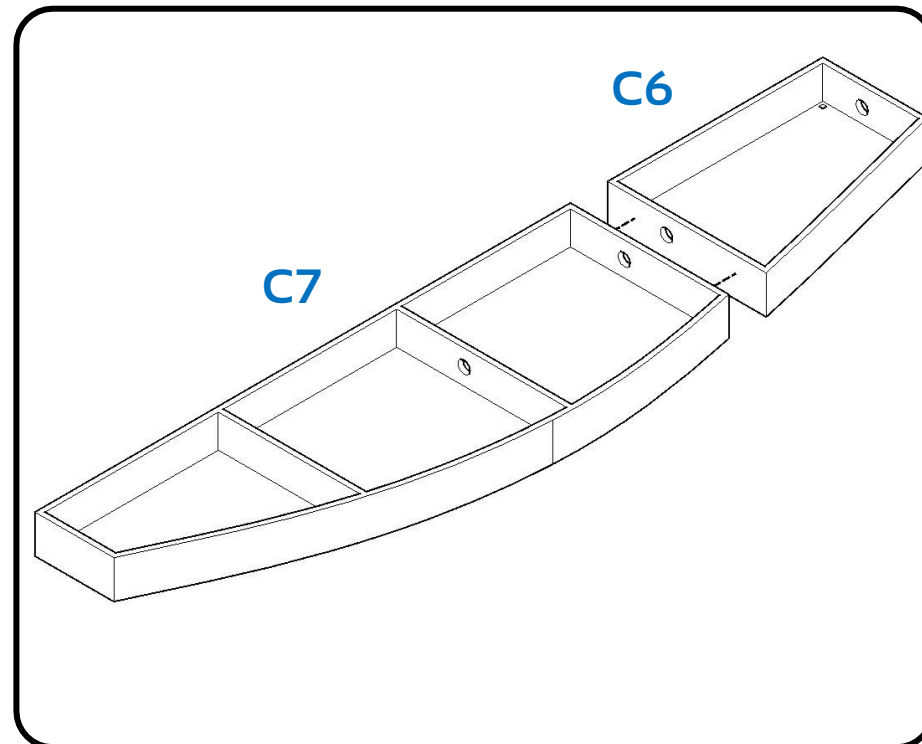
Once **backer** is in place, place the **Red Support Pillar B1** under the canopy via the **dowel** at the top of the support.



Once the Support pillar is in place, connect the Pillar topper to the pillar and canopy via drywall screw

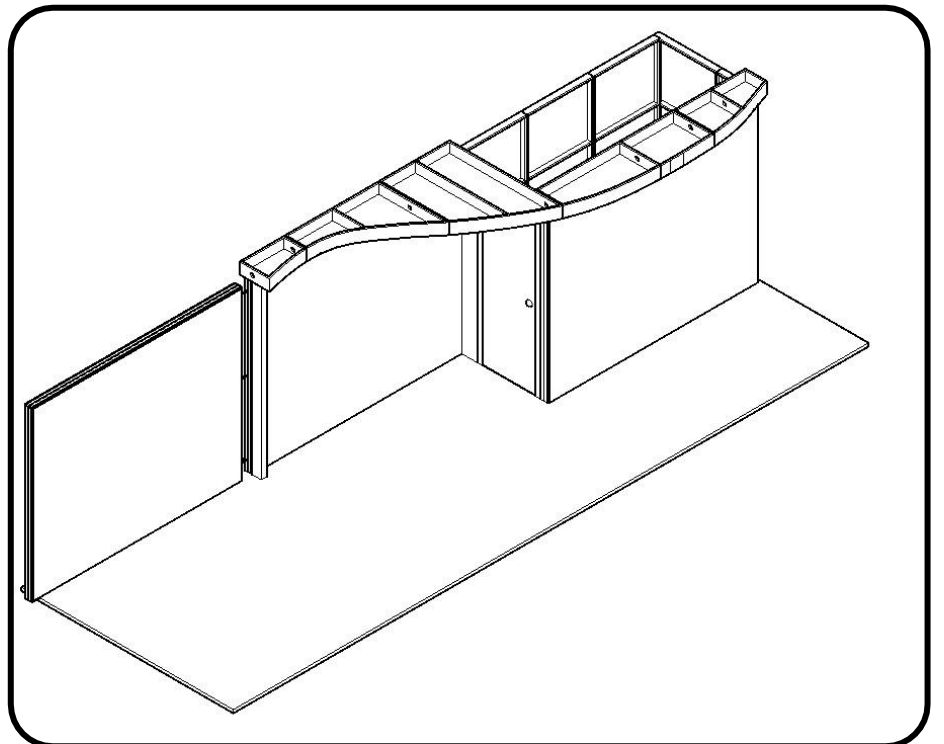


On the floor, align the **Blue C6 Canopy Panel** and the **Blue C7 Canopy Panel**. Once aligned, bolt together using supplied **1/4-20 hex bolts**.



Assemble the **Blue Labeled SEG Lightbox** according to the instructions on pages **3** through **6**. Then, apply the **front graphic** to the **frame**.

Once **graphic** is attached, slide the **frame** into place and bolt into the neighboring SEG.

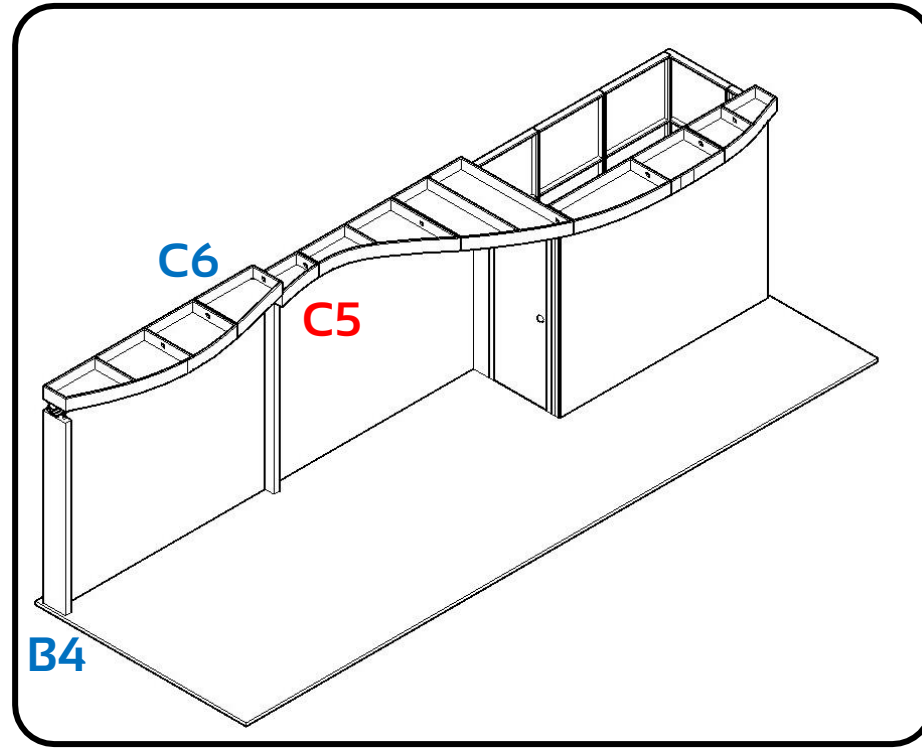


H&H 10x30 – Set up Instructions – Blue Section

After bolting, connect the SEG Backer to the right side of the frame (Looking from the back) as the **Blue Support Pillar B4** will block this part of the frame.

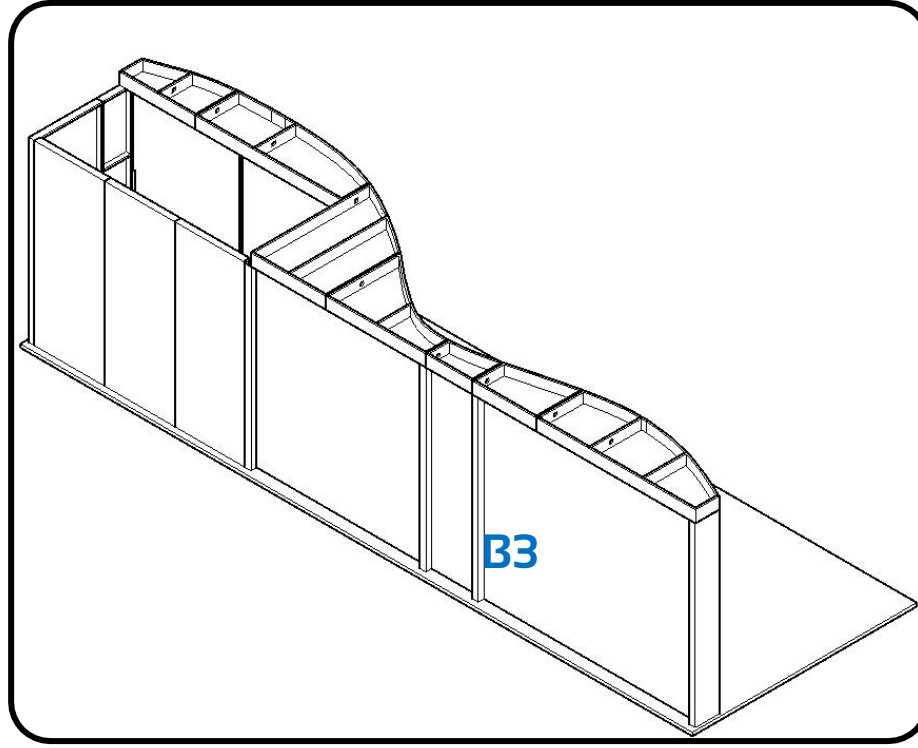
Then, lift up the **blue canopy components** while supporting with **Blue Support Pillar B4**, and bolt canopy **C6** into **C5**.

After connecting into the canopy, bolt the SEG frame into the canopy as well

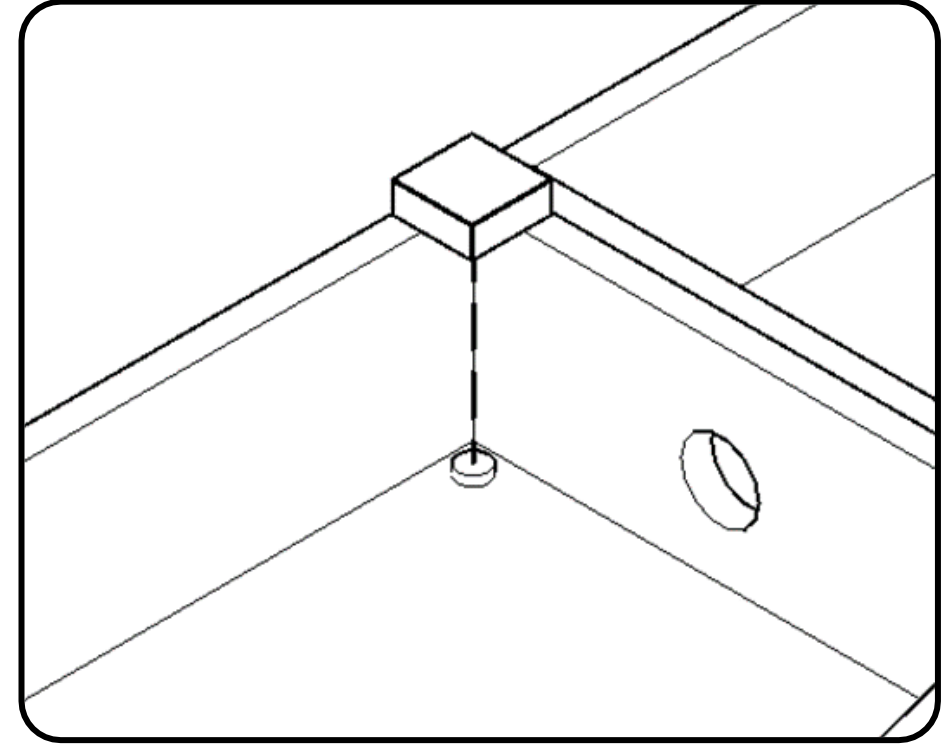


H&H 10x30 – Set up Instructions – Blue Section

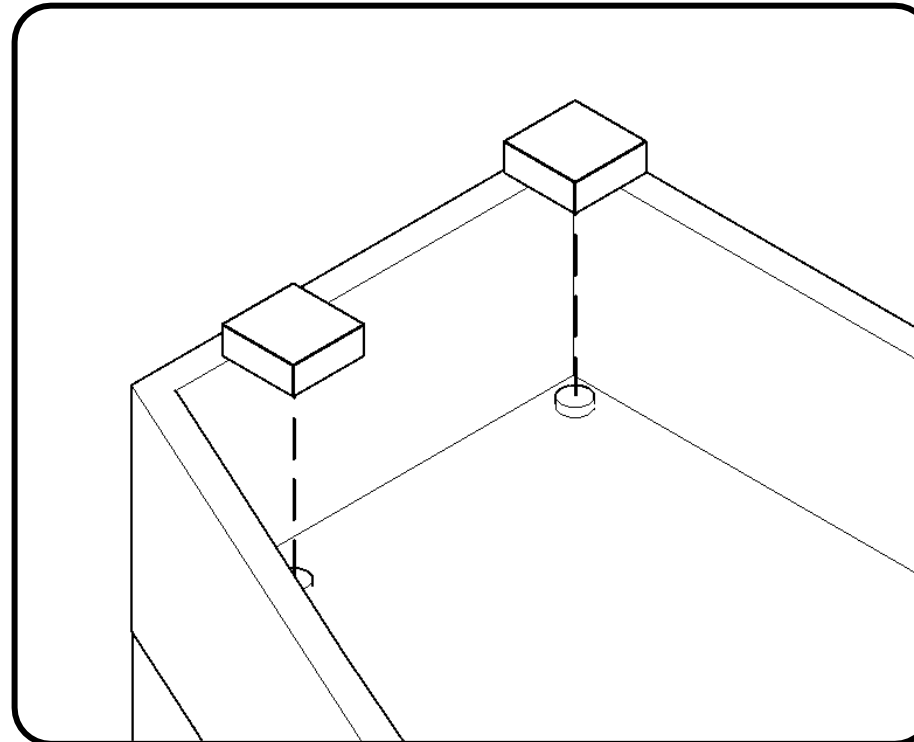
Now, place **support pillar B3** into place, aligning via a dowel at the top of the pillar and a hole in **canopy piece C6**



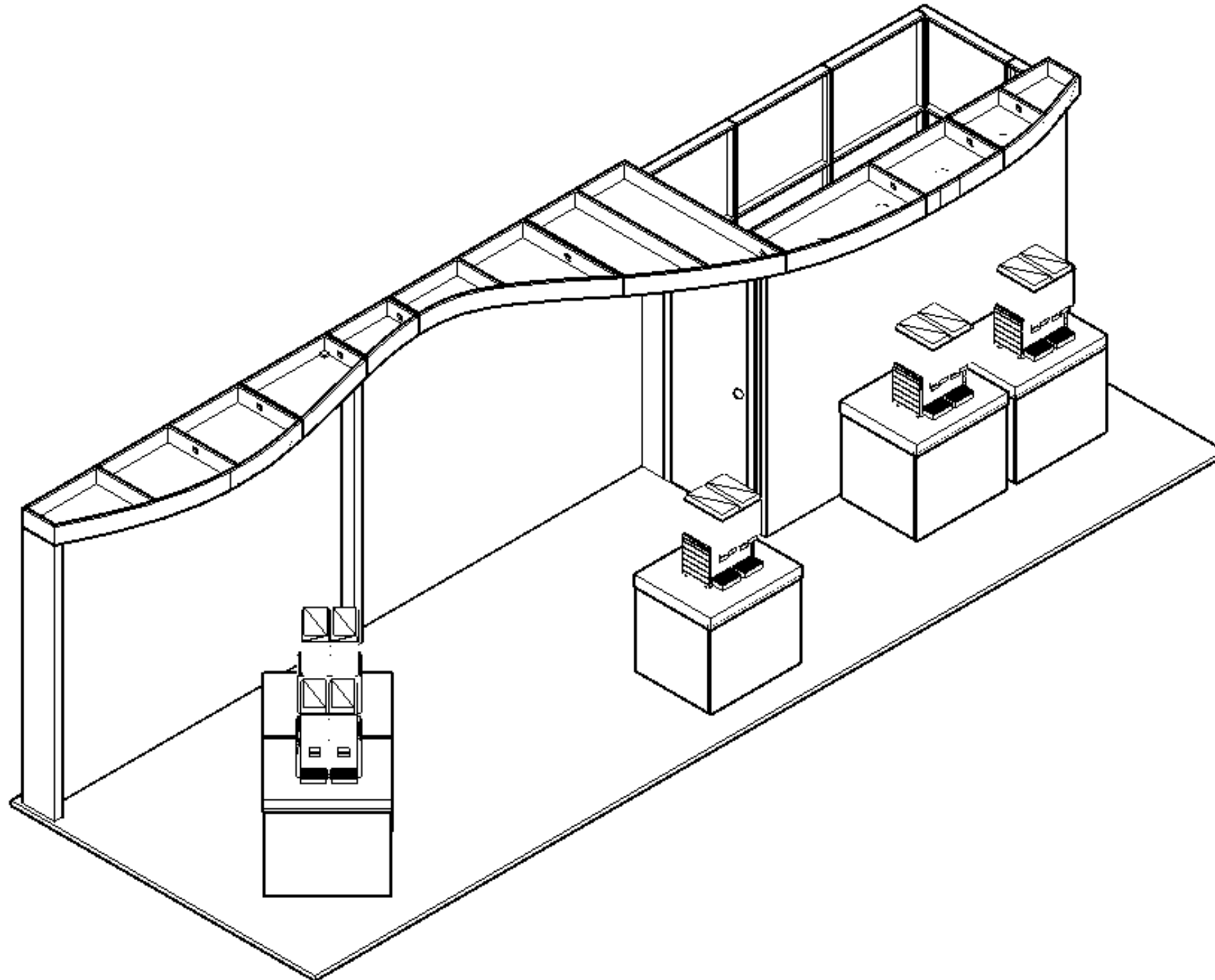
Once the Support pillar is in place, connect the Pillar topper to the pillar and canopy via drywall screw



Screw in the pillar toppers for **support pillar B4** to secure in place.



H&H 10x30 – Set up Instructions – Final Touches



Place Counters & Plug in through the bottom
Ensure that everything is powered
Wipe down the booth
Have a great show!