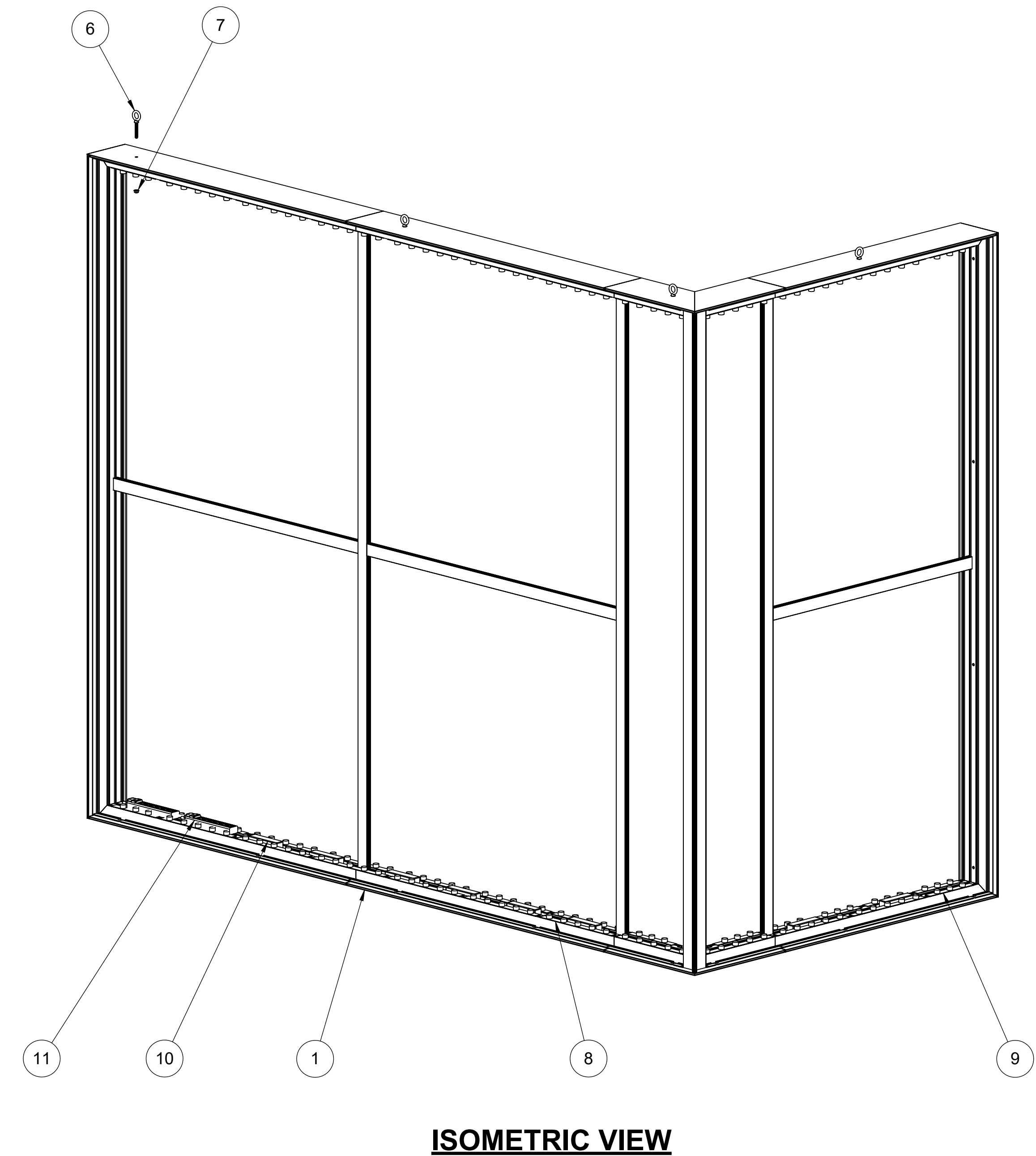
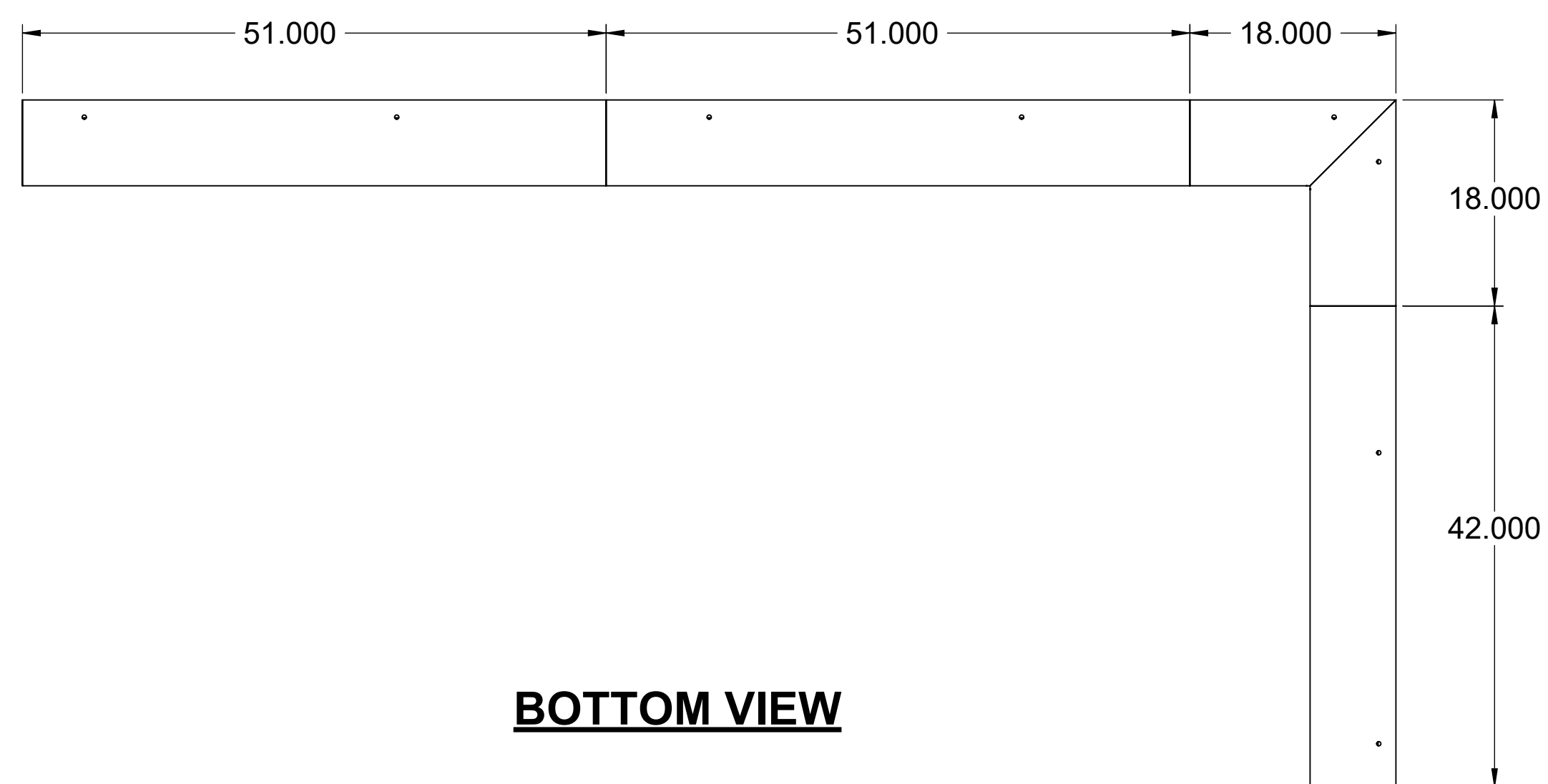
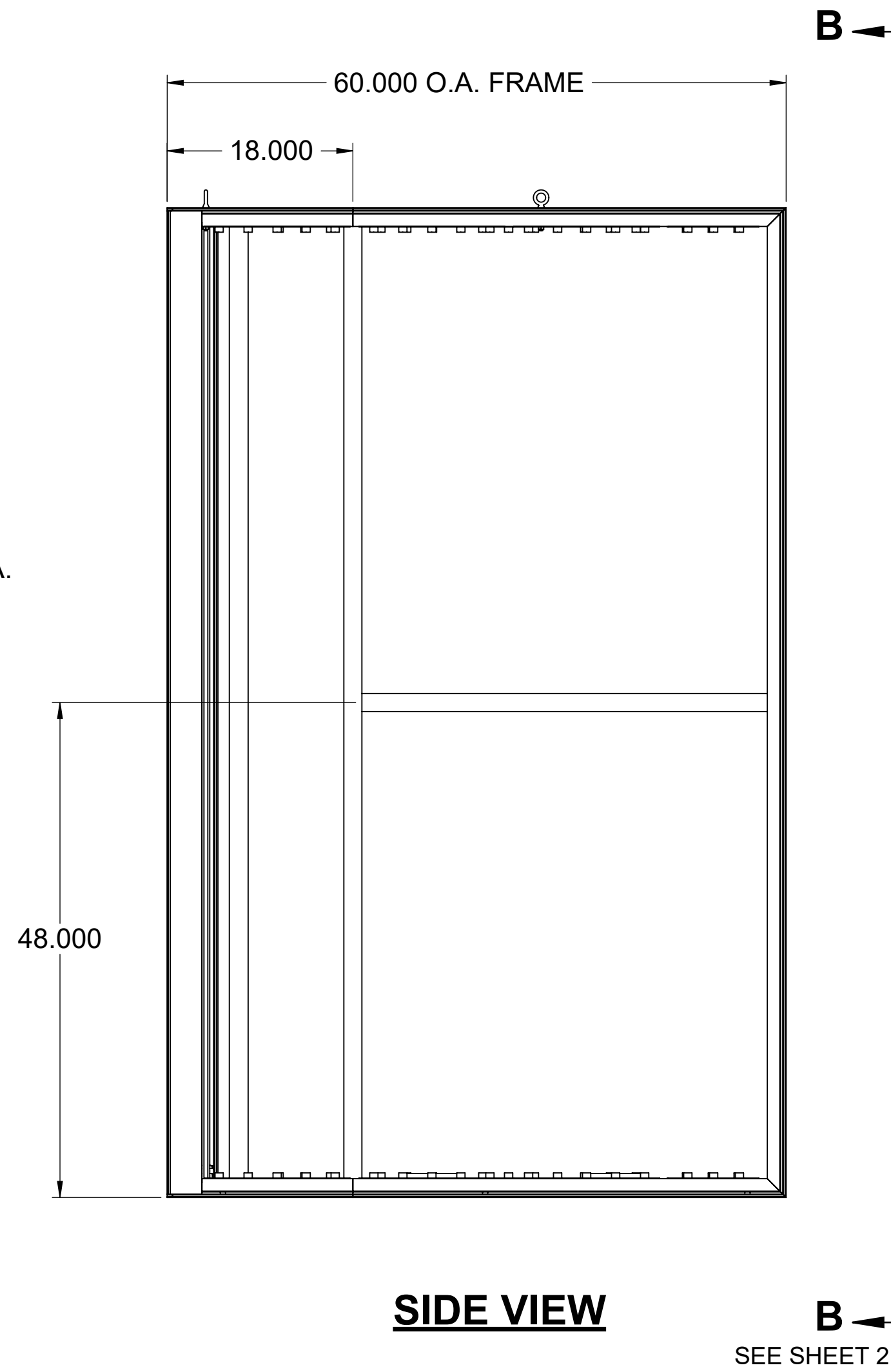
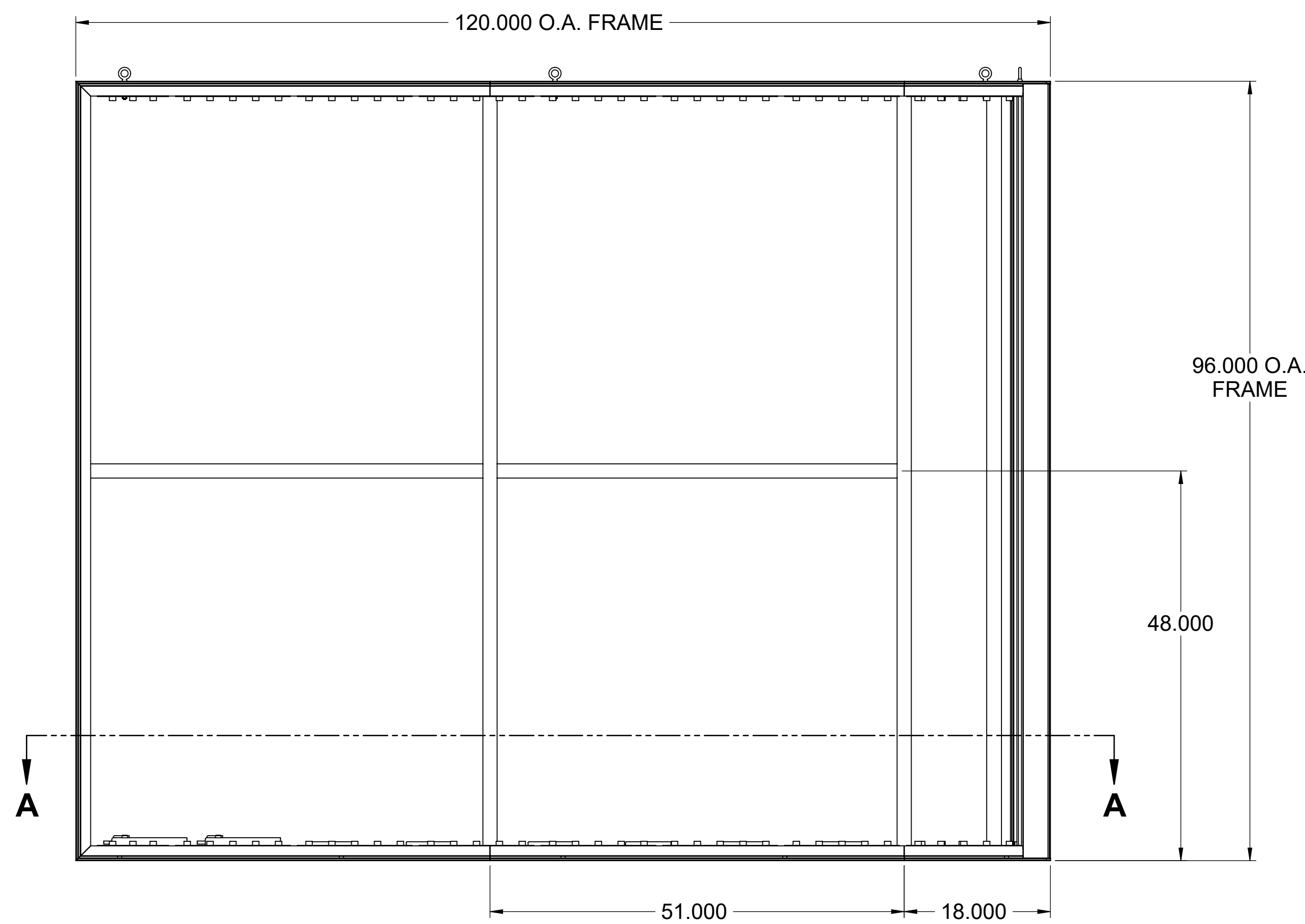
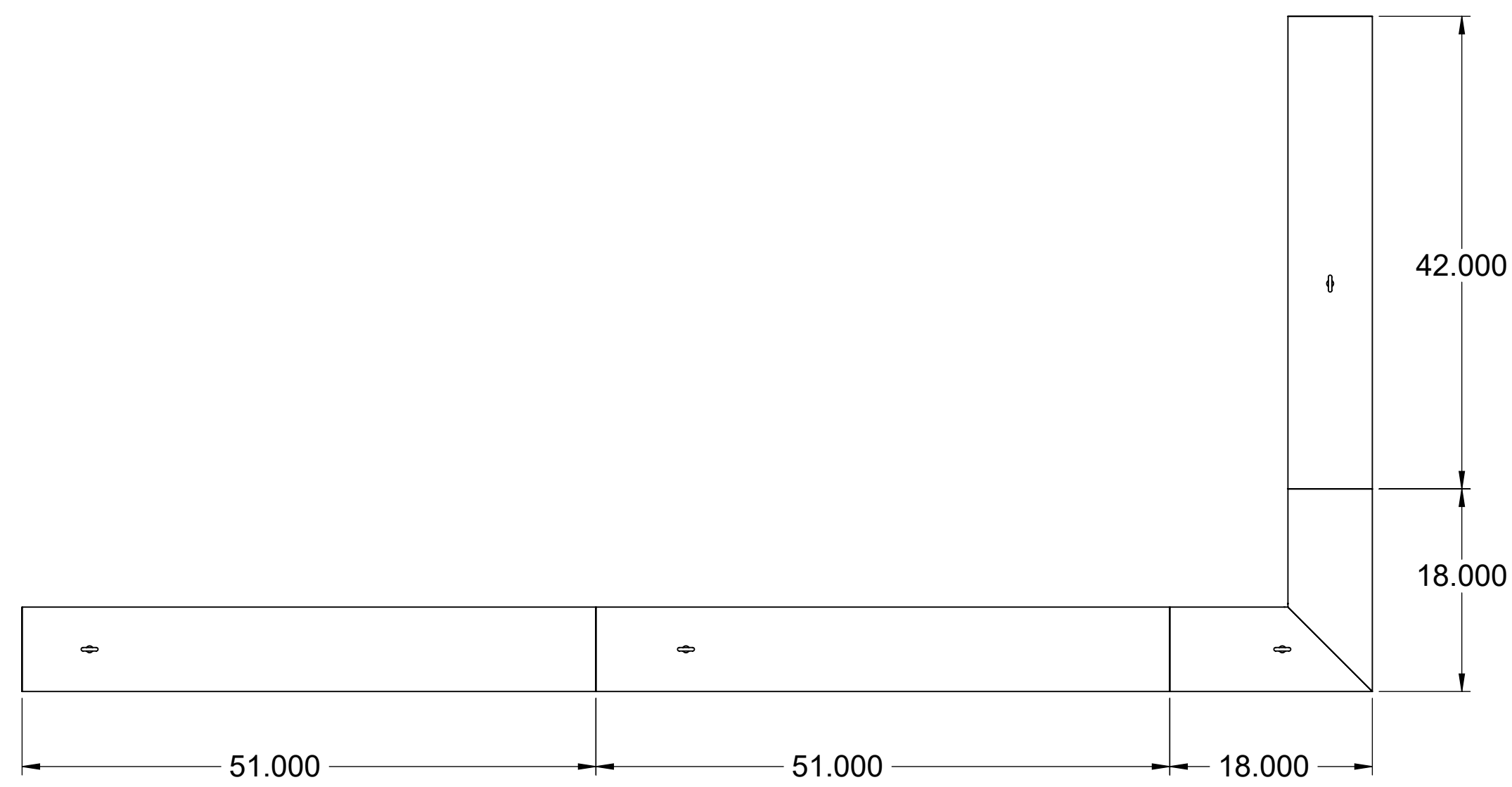
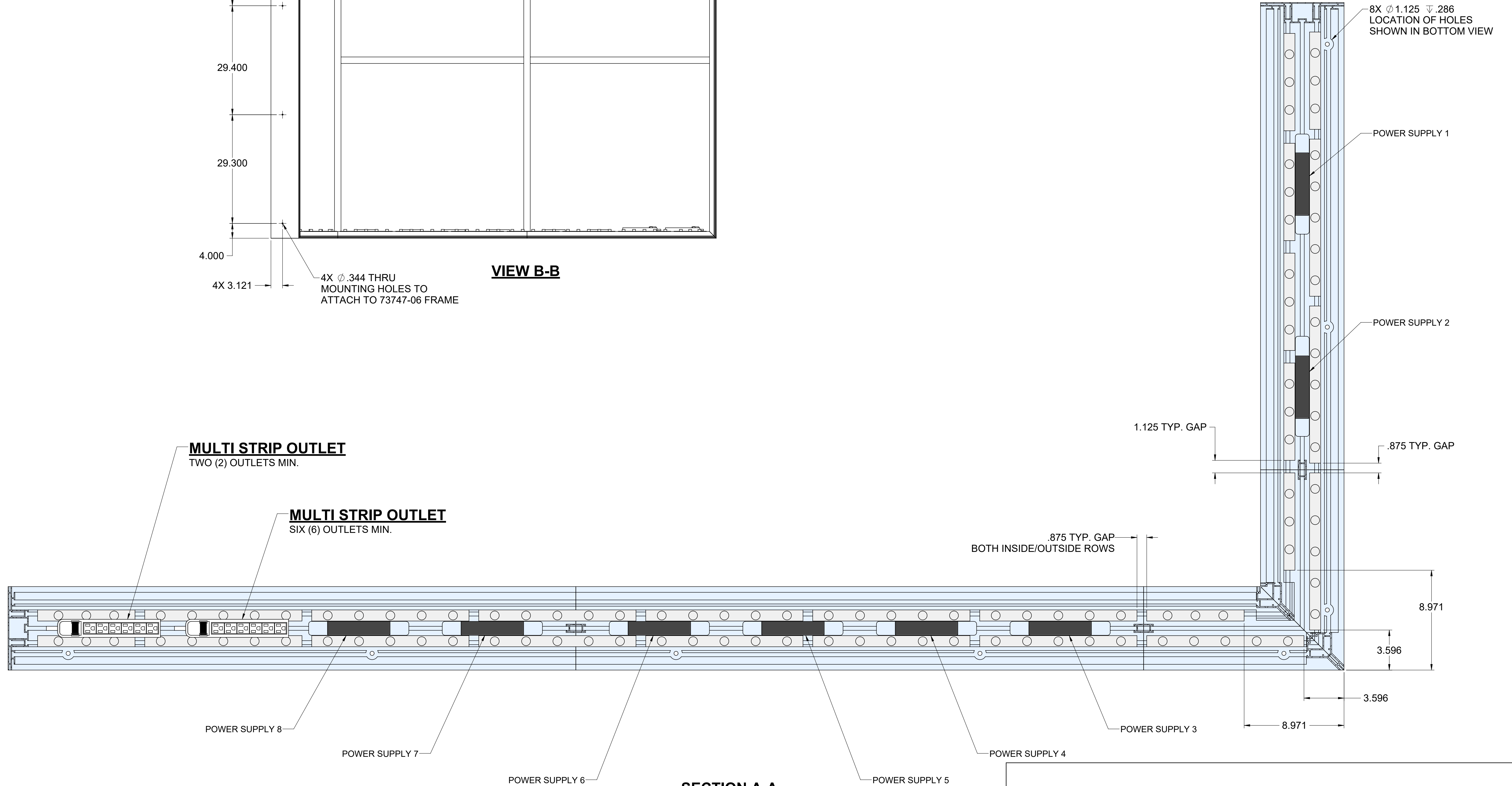
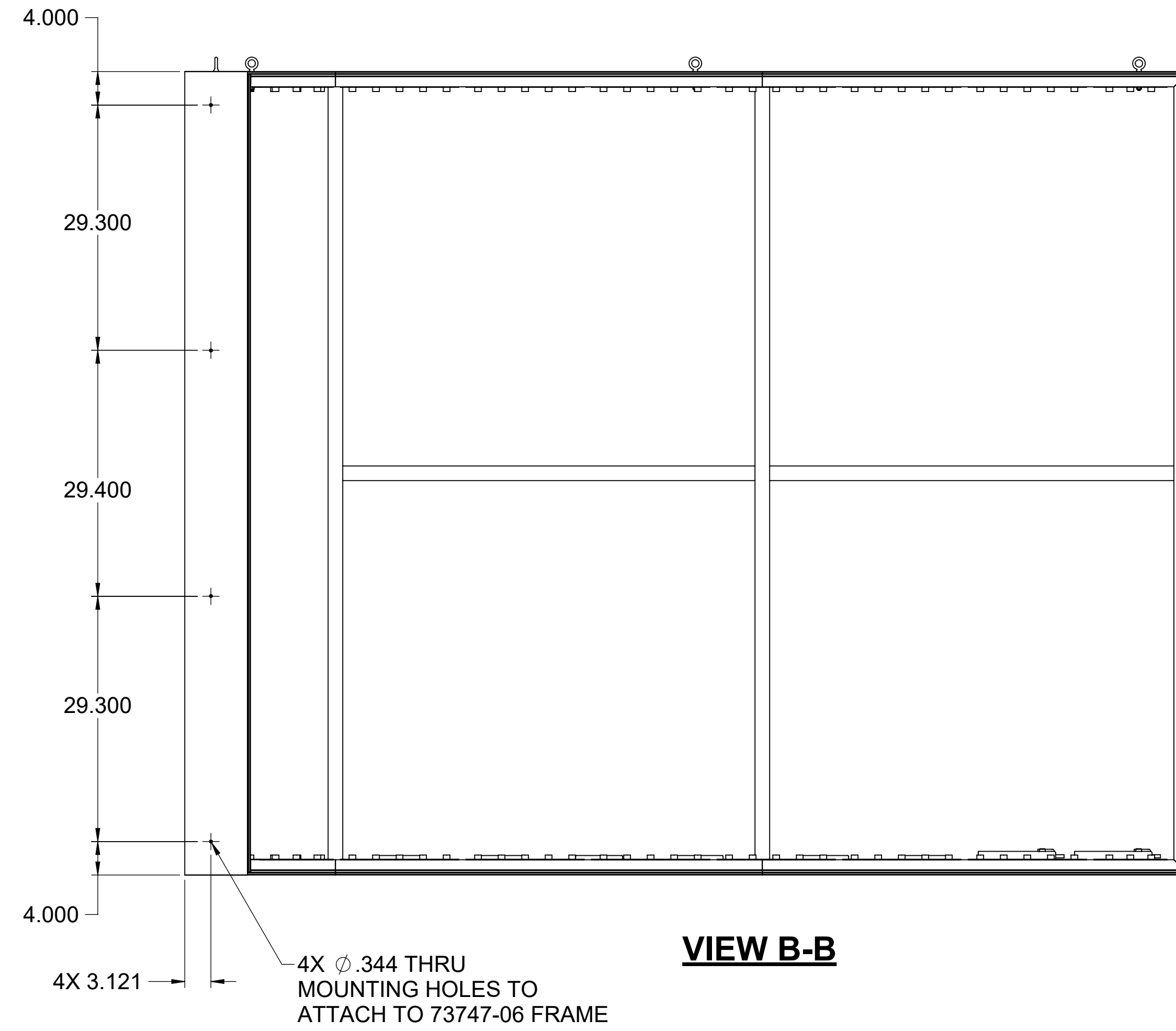


BILL OF MATERIALS			
ITEM NO.	PART NUMBER	DESCRIPTION	QTY.
1	73747-04-01	120"W X 96"H ES FRAME	1
2	73747-04-02	FABRIC	1
3	73747-04-03	FABRIC	1
4	73747-04-04	FABRIC	1
5	73747-04-05	FABRIC	1
6	FAB14002	EYEBOLT 0.3125-18 X 2.25	4
7	FAB90385	FLANGE HNUT 0.3125-18-GD8-ZN	4
8	FAB17020	OEM TECTONICS 5 NODE LED STRIP	32
9	FAB17021	OEM TECTONICS 3 NODE LED STRIP	18
10	FAB17013	24V 90W POWER SUPPLY	8
11	FAB27007	6 OUTLET SURGE PROTECTOR	2
12	HD IL 07	SPLICE LOCK	6
13	HD CL 06	CORNER LOCK	4
14	HD SL 01	STRAIGHT LOCK	12

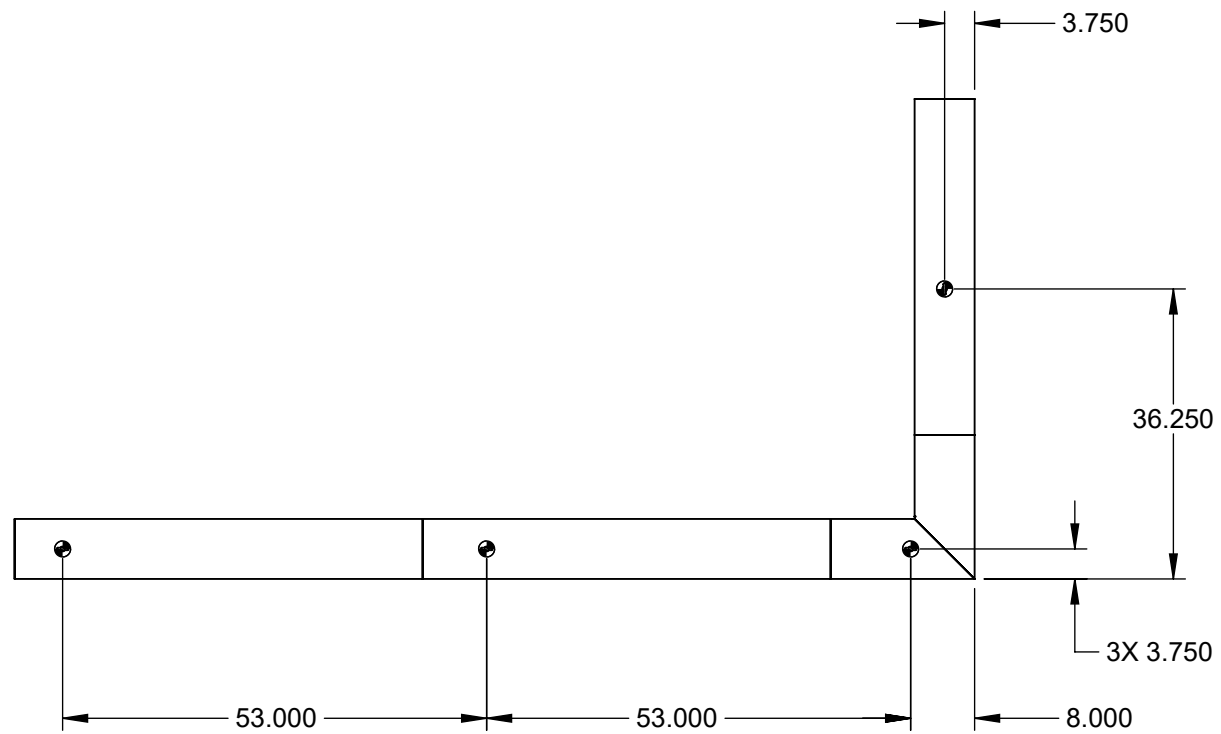


BILL OF MATERIALS			
ITEM NO.	PART NUMBER	DESCRIPTION	QTY.
1	73747-04-01	120"W X 96"H ES FRAME	1
2	73747-04-02	FABRIC	1
3	73747-04-03	FABRIC	1
4	73747-04-04	FABRIC	1
5	73747-04-05	FABRIC	1
6	FAB14002	EYEBOLT 0.3125-18 X 2.25	4
7	FAB90385	FLANGE HNUT 0.3125-18-GD8-ZN	4
8	FAB17020	OEM TECTONICS 5 NODE LED STRIP	32
9	FAB17021	OEM TECTONICS 3 NODE LED STRIP	18
10	FAB17013	24V 90W POWER SUPPLY	8
11	FAB27007	6 OUTLET SURGE PROTECTOR	2
12	HD IL 07	SPLICE LOCK	6
13	HD CL 06	CORNER LOCK	4
14	HD SL 01	STRAIGHT LOCK	12

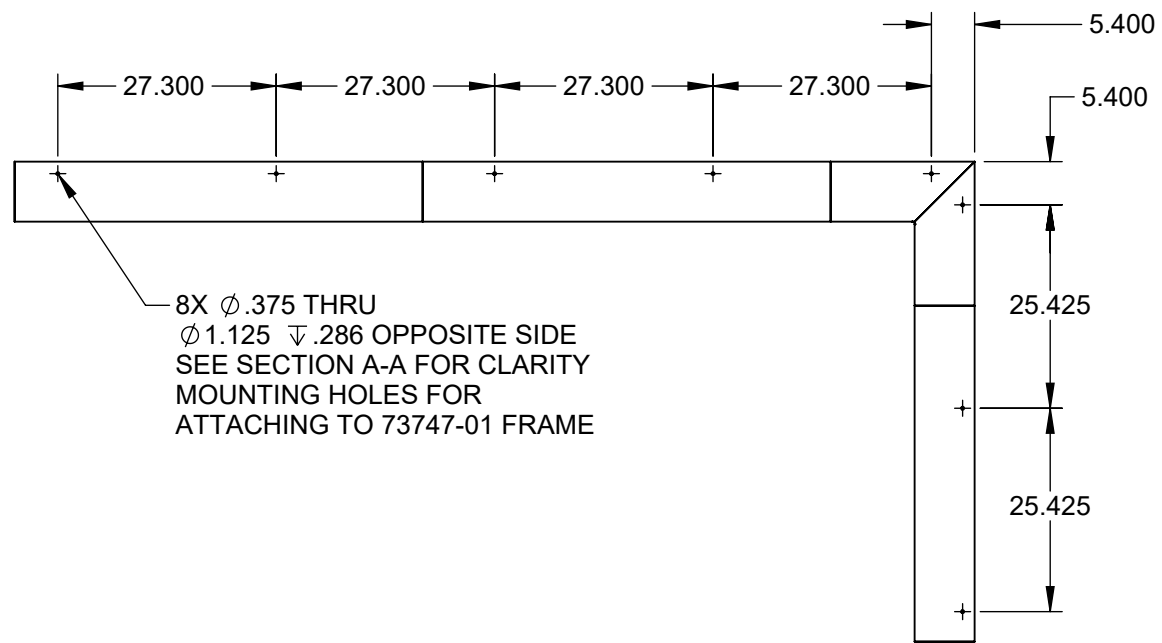


SECTION A-A
LIGHTING CONFIGURATION TYP
BOTTOM FRAME AND TOP FRAME
SCALE_1 : 4

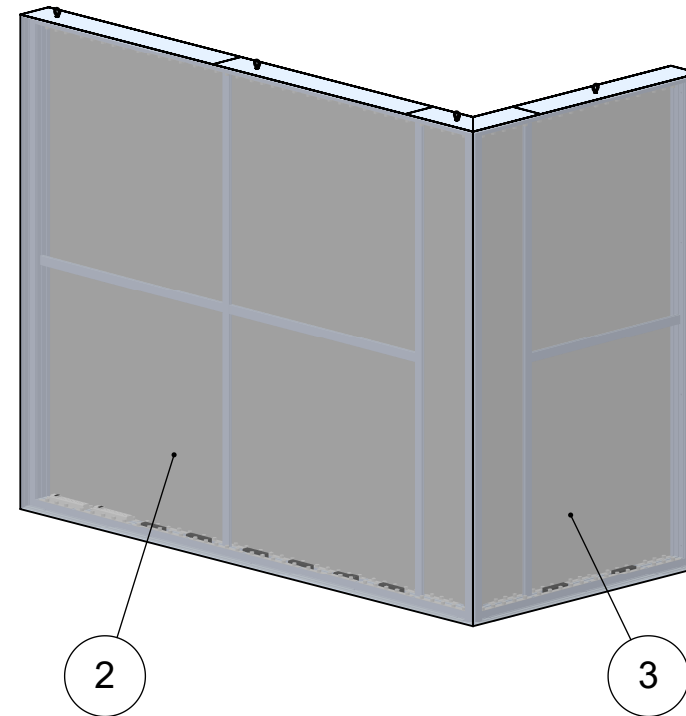
BILL OF MATERIALS			
ITEM NO.	PART NUMBER	DESCRIPTION	QTY.
1	73747-04-01	120"W X 96"H ES FRAME	1
2	73747-04-02	FABRIC	1
3	73747-04-03	FABRIC	1
4	73747-04-04	FABRIC	1
5	73747-04-05	FABRIC	1
6	FAB14002	EYEBOLT 0.3125-18 X 2.25	4
7	FAB90385	FLANGE HNUT 0.3125-18-GD8-ZN	4
8	FAB17020	OEM TECTONICS 5 NODE LED STRIP	32
9	FAB17021	OEM TECTONICS 3 NODE LED STRIP	18
10	FAB17013	24V 90W POWER SUPPLY	8
11	FAB27007	6 OUTLET SURGE PROTECTOR	2
12	HD IL 07	SPLICE LOCK	6
13	HD CL 06	CORNER LOCK	4
14	HD SL 01	STRAIGHT LOCK	12



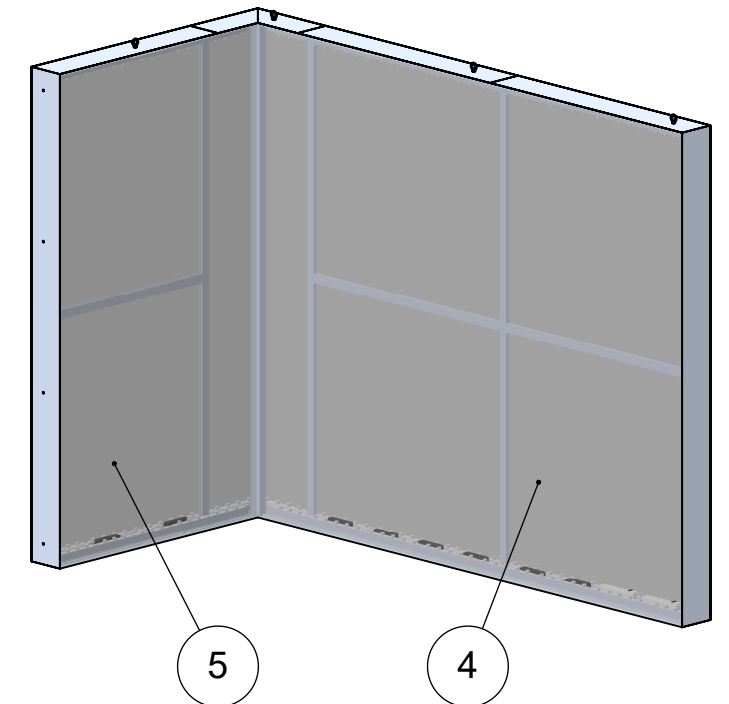
**TOP VIEW
EYEBOLT LOCATION**



BOTTOM VIEW



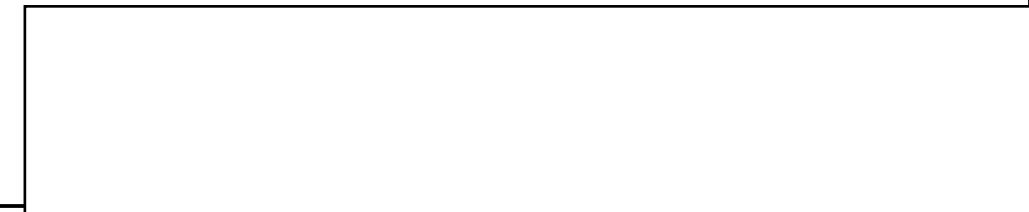
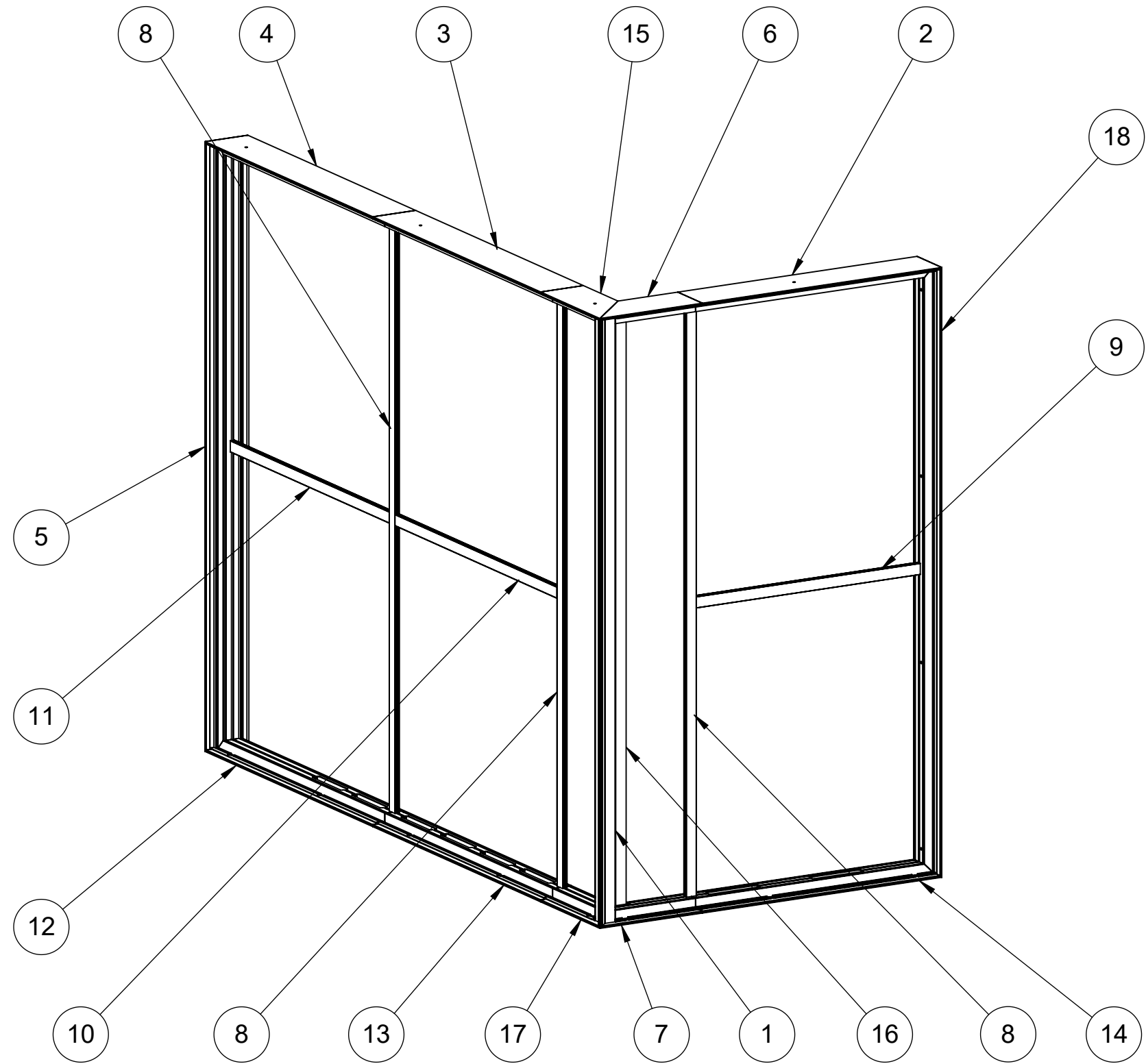
FABRIC VIEW



FABRIC VIEW

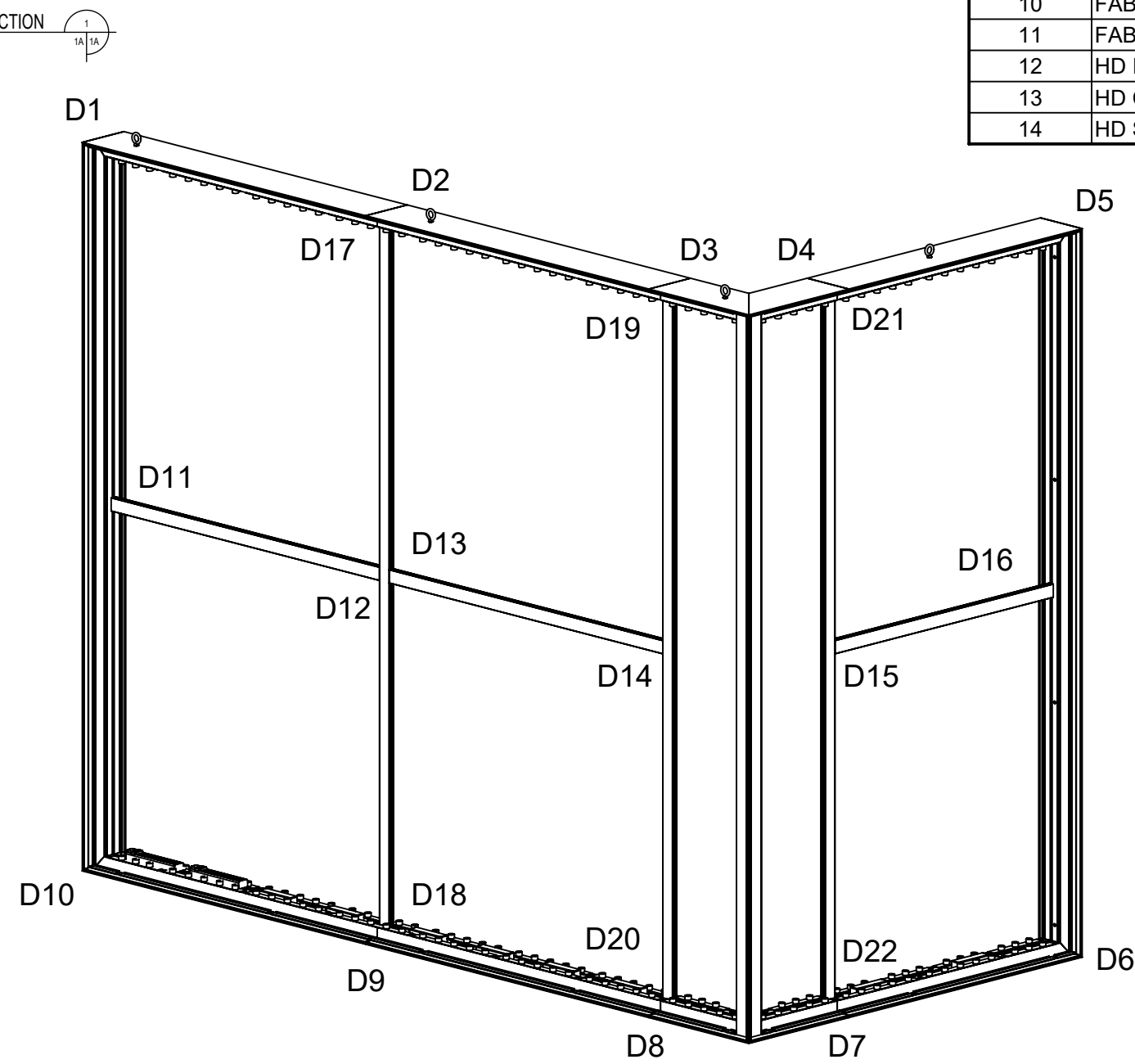
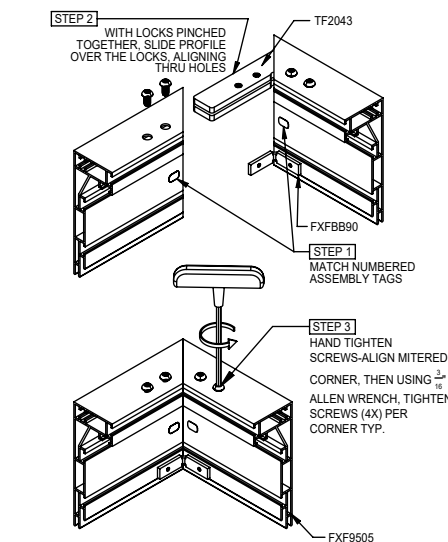
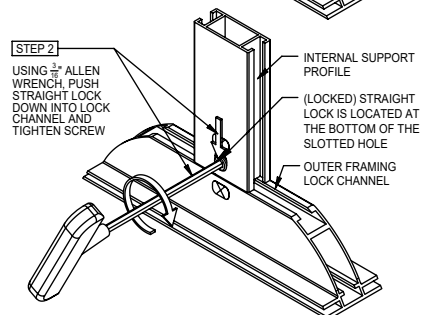
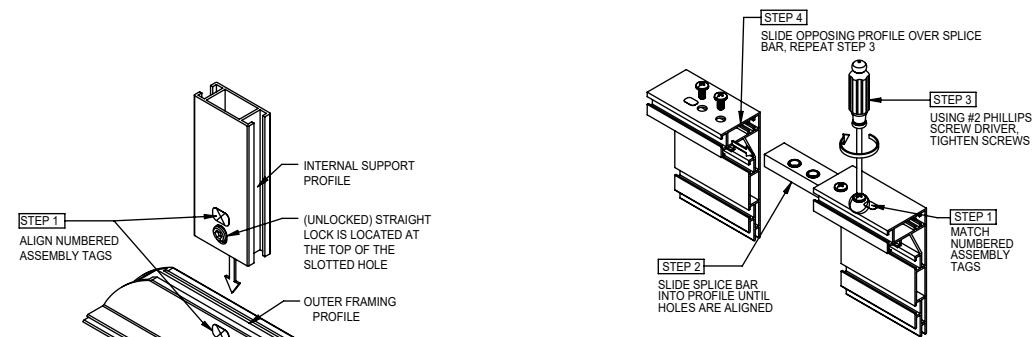
SNAP TUBE CUT-LIST α

ITEM NO.	PART NUMBER	DESCRIPTION	QTY.	LENGTH
1	73747-04-01-1	FP 4G 04 (FABRIC PROFILE)	1	95.346
2	73747-04-01-2	LP 2G 01 (LIGHTING PROFILE)	1	42
3	73747-04-01-3	LP 2G 01 (LIGHTING PROFILE)	1	51
4	73747-04-01-4	LP 2G 01 (LIGHTING PROFILE)	1	51
5	73747-04-01-5	LP 2G 01 (LIGHTING PROFILE)	1	96
6	73747-04-01-6	LP 2G 01 (LIGHTING PROFILE)	1	18
7	73747-04-01-7	LP 2G 01 (LIGHTING PROFILE)	1	18
8	73747-04-01-8	SP 2L 02 (SUPPORT PROFILE)	3	92.352
9	73747-04-01-9	SP 2L 02 (SUPPORT PROFILE)	1	39.301
10	73747-04-01-10	SP 2L 02 (SUPPORT PROFILE)	1	49.25
11	73747-04-01-11	SP 2L 02 (SUPPORT PROFILE)	1	48.301
12	73747-04-01-12	LP 2G 01 (LIGHTING PROFILE)	1	51
13	73747-04-01-13	LP 2G 01 (LIGHTING PROFILE)	1	51
14	73747-04-01-14	LP 2G 01 (LIGHTING PROFILE)	1	42
15	73747-04-01-15	LP 2G 01 (LIGHTING PROFILE)	1	18
16	73747-04-01-16	FP 4G 04 (FABRIC PROFILE)	1	95.346
17	73747-04-01-17	LP 2G 01 (LIGHTING PROFILE)	1	18
18	73747-04-01-18	LP 2G 01 (LIGHTING PROFILE)	1	96



BILL OF MATERIALS

ITEM NO.	PART NUMBER	DESCRIPTION	QTY.
1	73747-04-01	120"W X 96"H ES FRAME	1
2	73747-04-02	FABRIC	1
3	73747-04-03	FABRIC	1
4	73747-04-04	FABRIC	1
5	73747-04-05	FABRIC	1
6	FAB14002	EYEBOLT 0.3125-18 X 2.25	4
7	FAB90385	FLANGE HNUIT 0.3125-18-GD8-ZN	4
8	FAB17020	OEM TECTONICS 5 NODE LED STRIP	32
9	FAB17021	OEM TECTONICS 3 NODE LED STRIP	18
10	FAB17013	24V 90W POWER SUPPLY	8
11	FAB27007	6 OUTLET SURGE PROTECTOR	2
12	HD IL 07	SPLICE LOCK	6
13	HD CL 06	CORNER LOCK	4
14	HD SL 01	STRAIGHT LOCK	12



ASSEMBLY ISOMETRIC

X MATCH JOINT TAG WITH NUMBERED DECALS ON FRAME