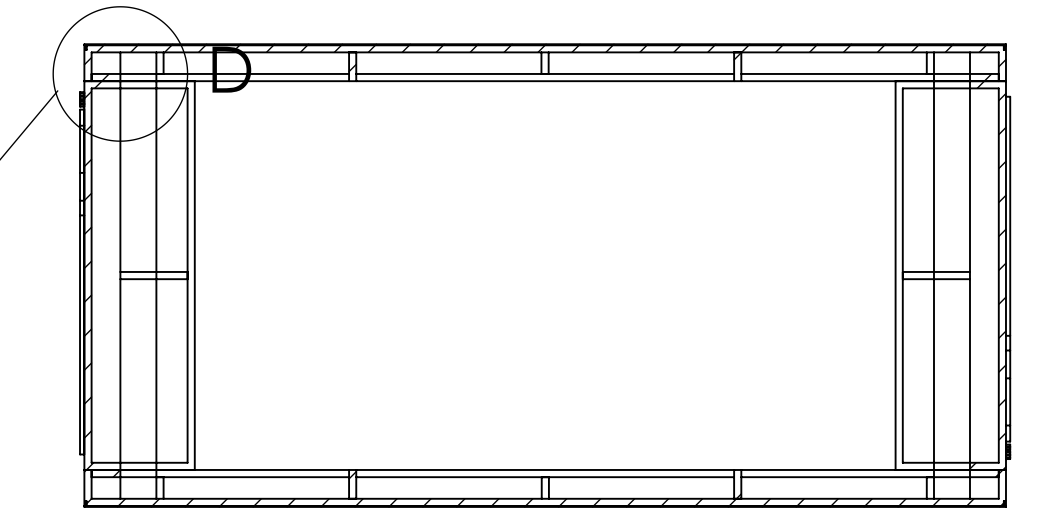
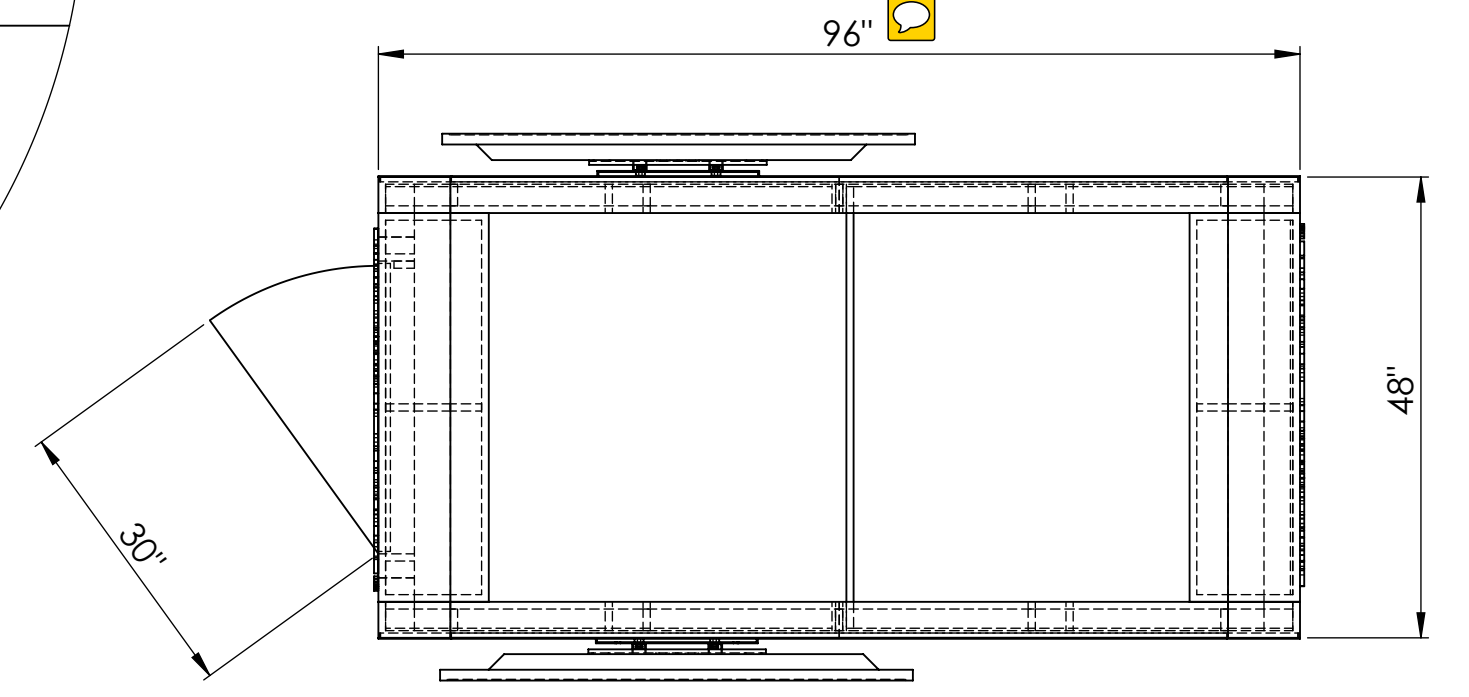


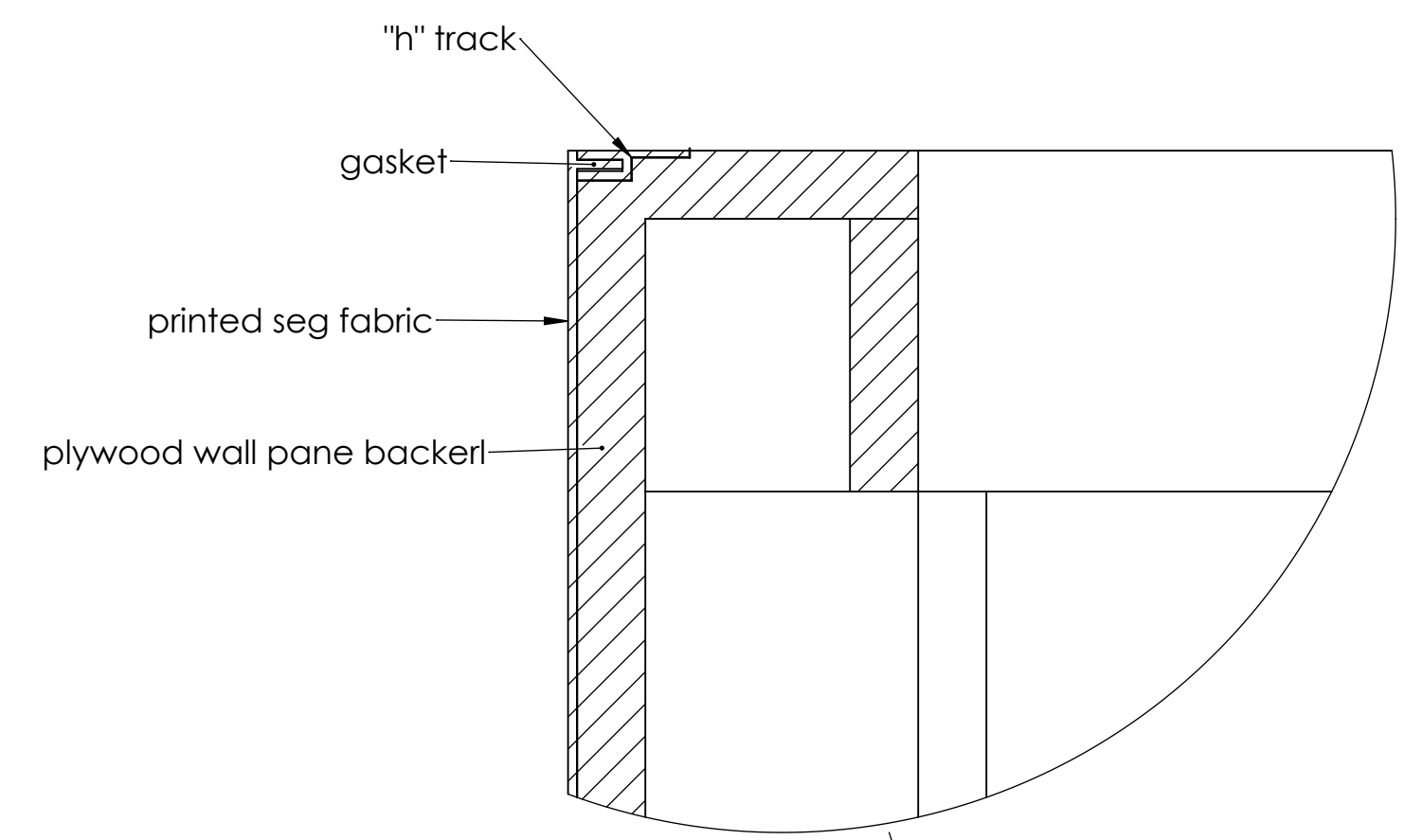
DETAIL D
SCALE 1 : 2



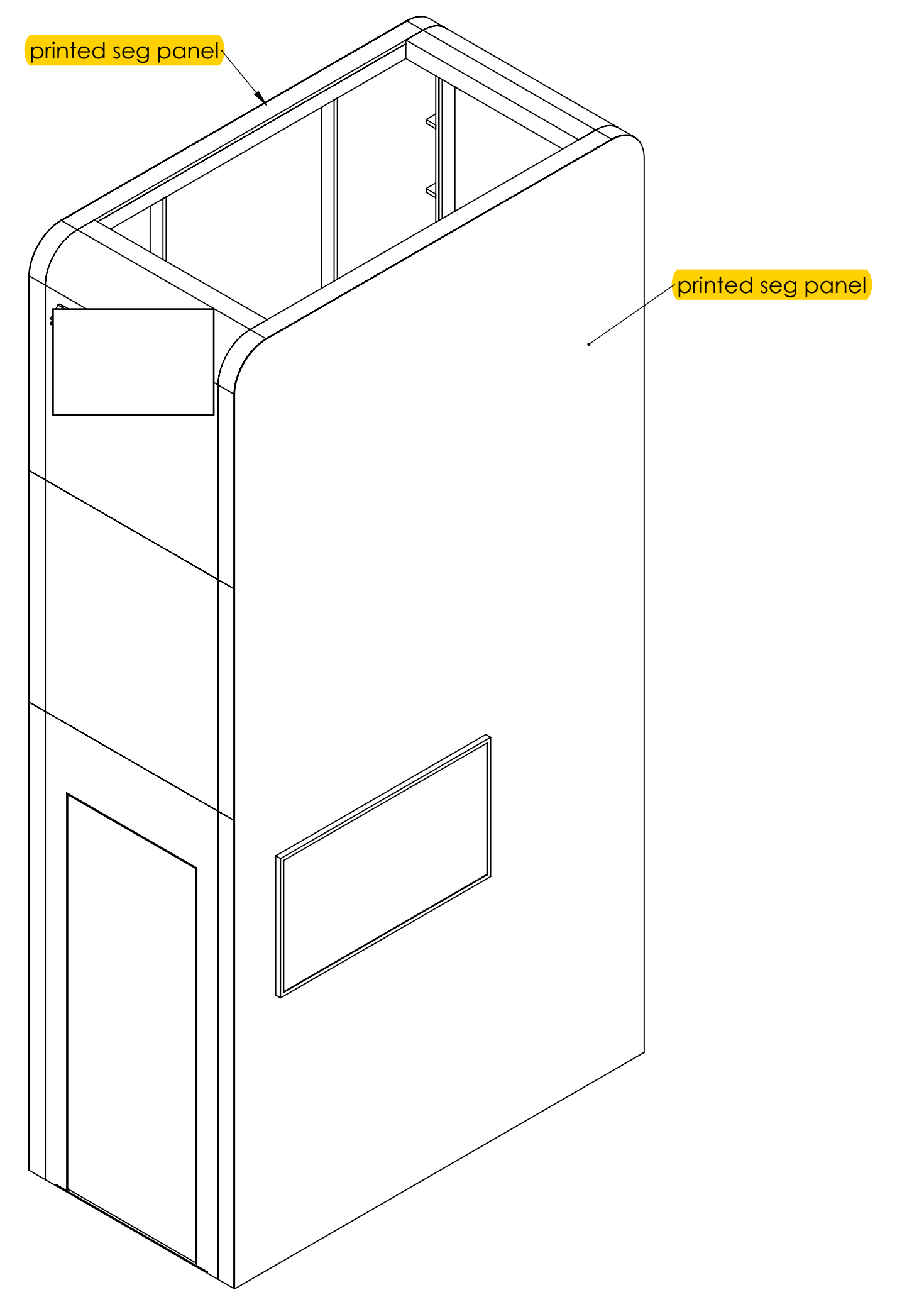
SECTION C-C
SCALE 1 : 20



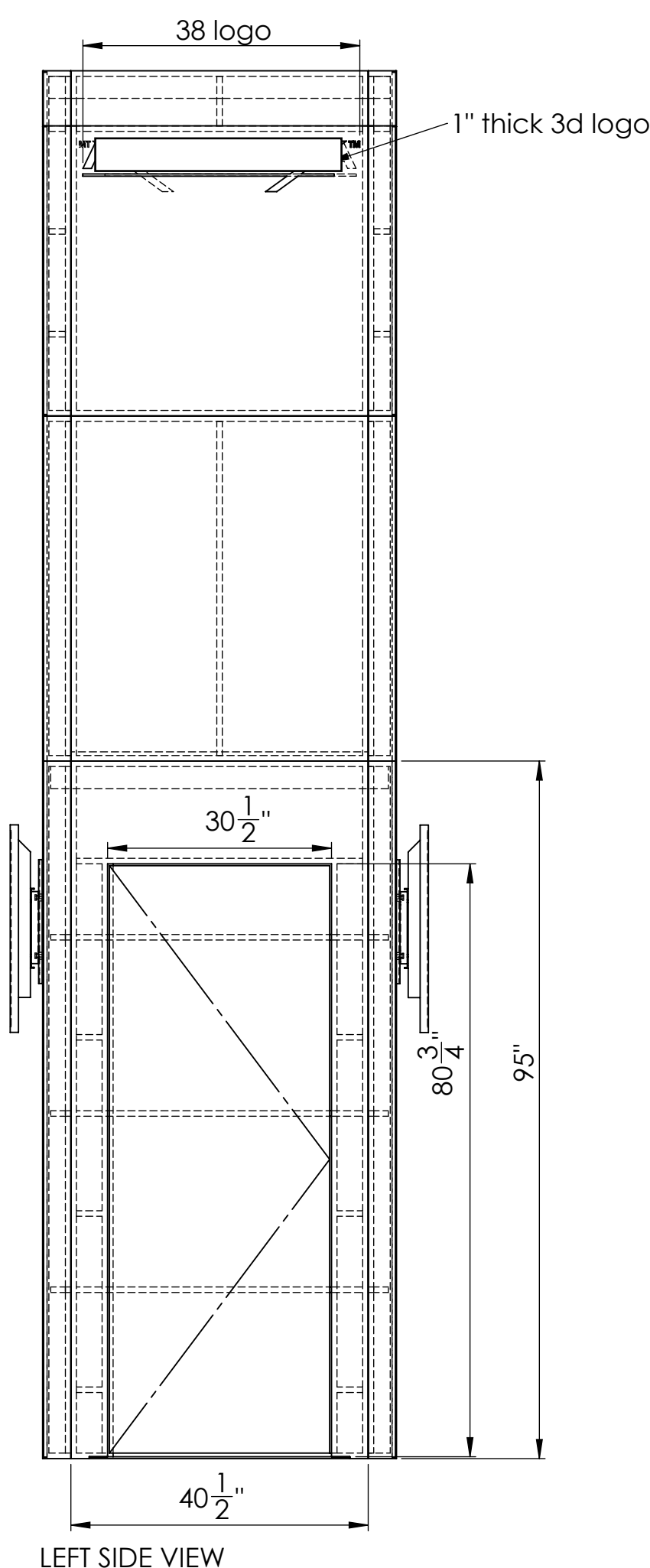
TOP VIEW



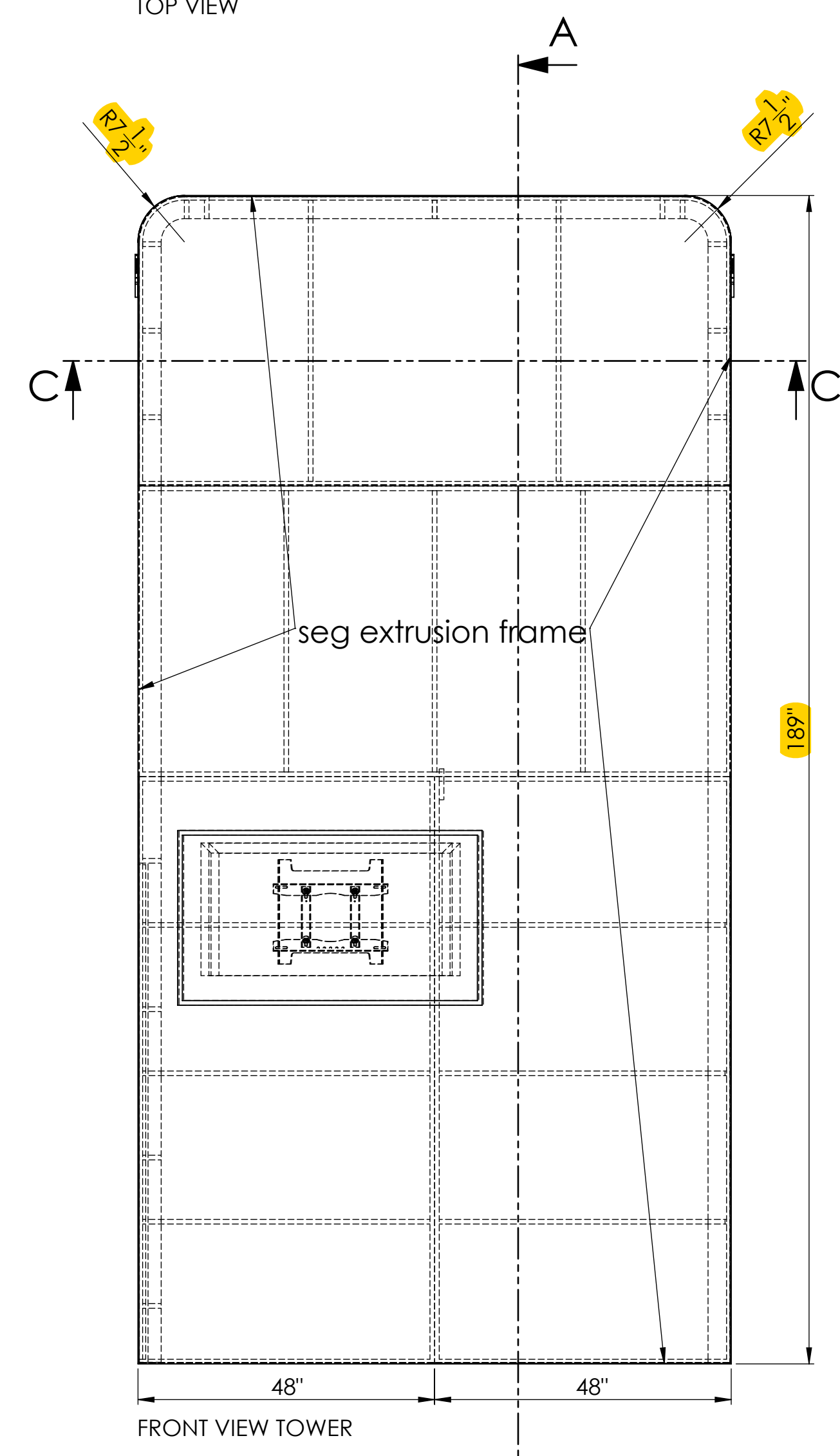
DETAIL B
SCALE 1 : 2



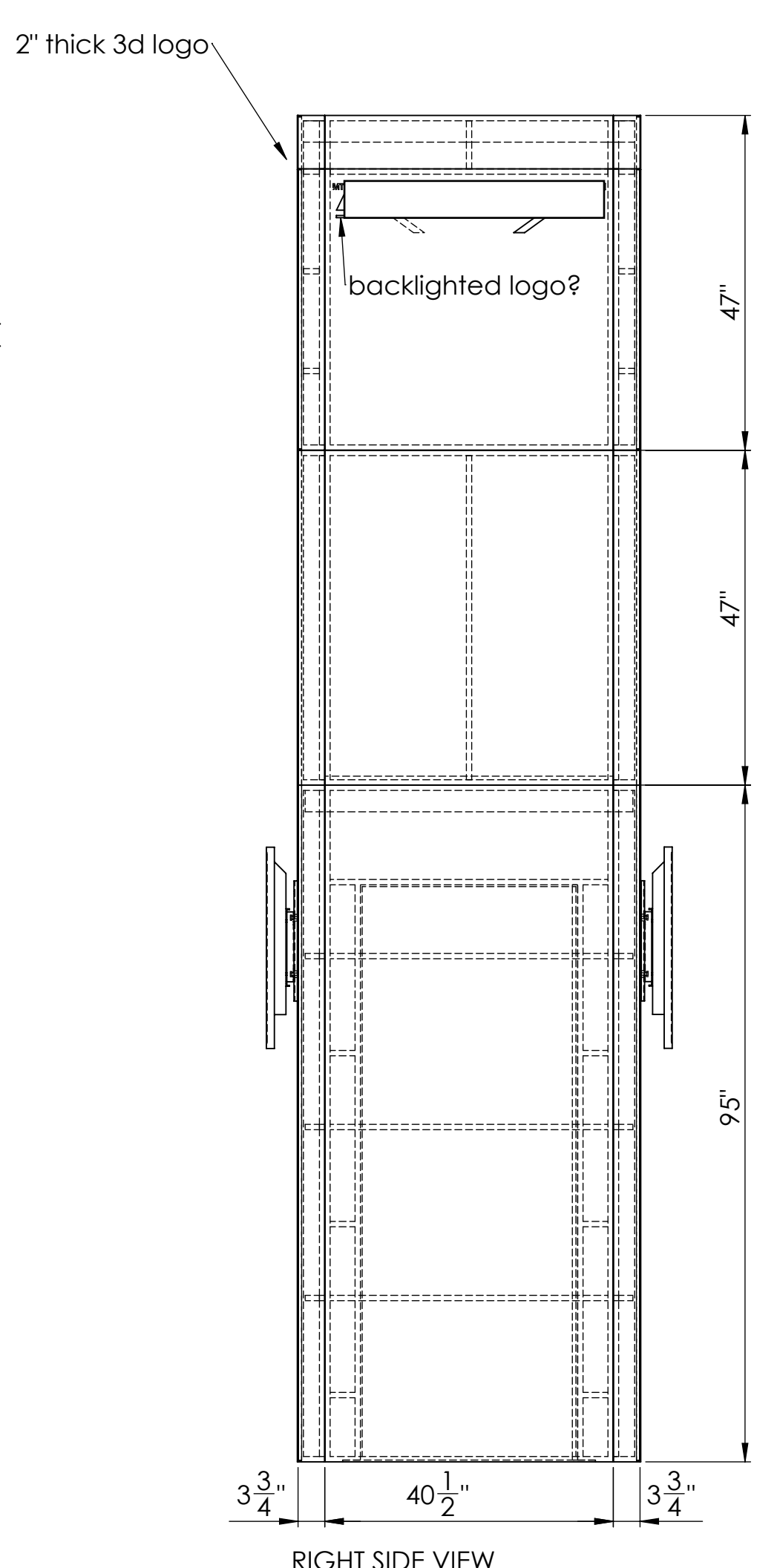
ISOMETRIC VIEW



LEFT SIDE VIEW

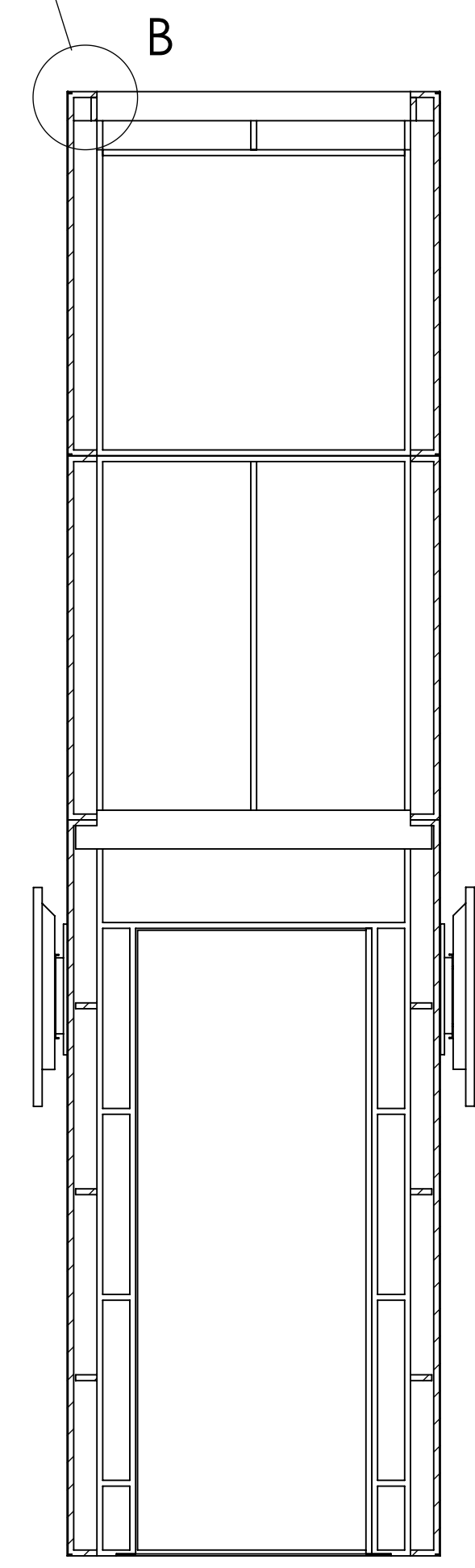


FRONT VIEW TOWER



RIGHT SIDE VIEW

SECTION A-A
SCALE 1 : 20



make 1 tower unit
construction: 3/4" plywood
sheath box frame panels
finish info to come