

20 Ft. Timberline Wave Top, Left & Right Closets, TV Mounts

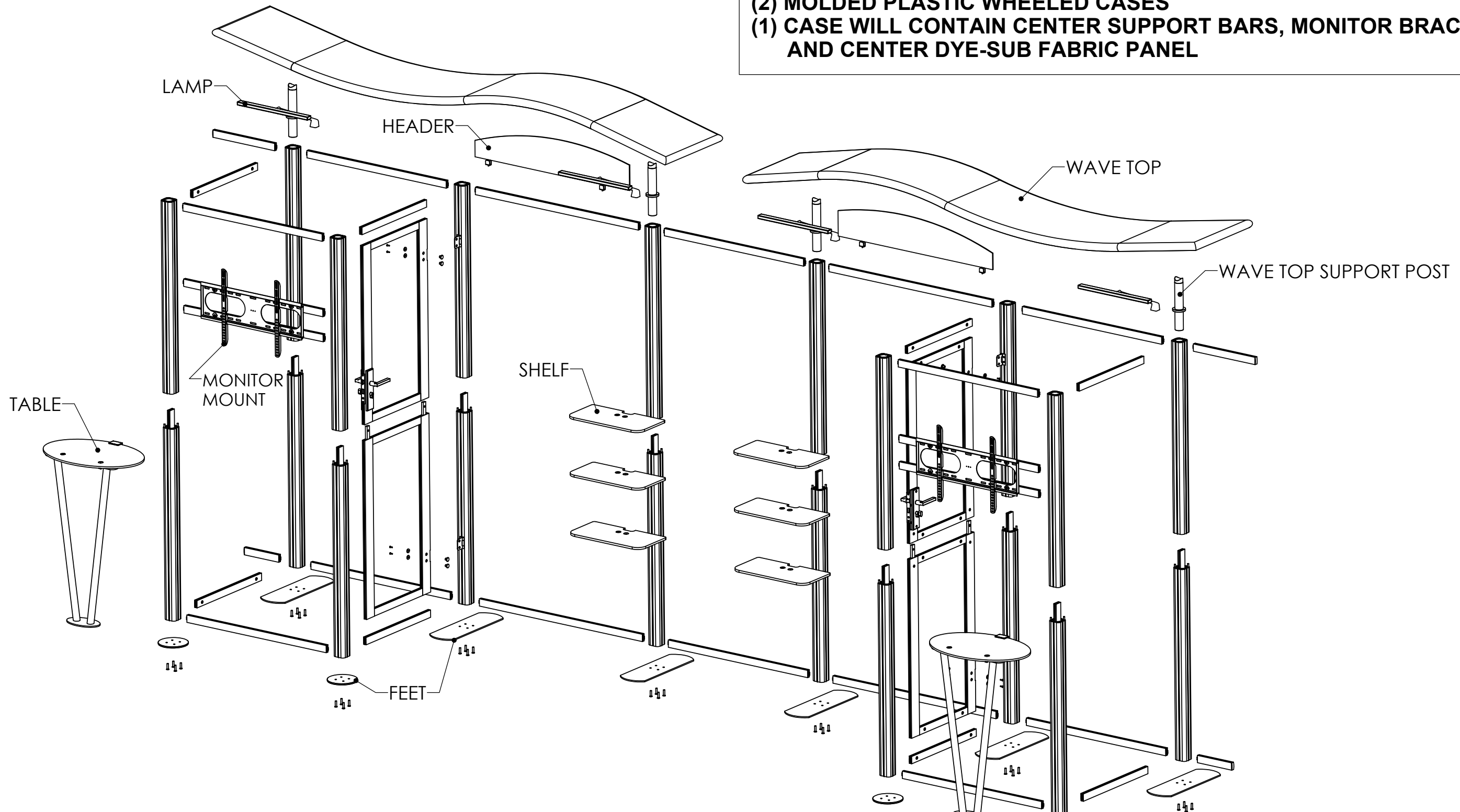


SET-UP MANUAL



THIRD ANGLE PROJECTION 		THE DOCUMENT AND DATA DISCLOSED HEREIN OR HEREWITH ARE THE PROPERTY OF NIEDO GROUP, INC. AND ARE NOT TO BE REPRODUCED, USED, OR DISCLOSED IN WHOLE OR IN PART TO ANYONE WITHOUT PERMISSION OF NIEDO GROUP, INC.	
DIMENSIONS ARE IN MILLIMETERS TOLERANCES UNLESS OTHERWISE SPECIFIED		NIEDO GROUP, INC. 5465 SW WESTERN AVE. BEAVERTON, OR 97005	
20 Ft. Timberline Wave Top, Left & Right Closets			
SET UP INSTRUCTIONS			
SIZE: B	DWG. NO.:	REV:	-01
SCALE: NA	DO NOT SCALE DRAWING	SHEET	1

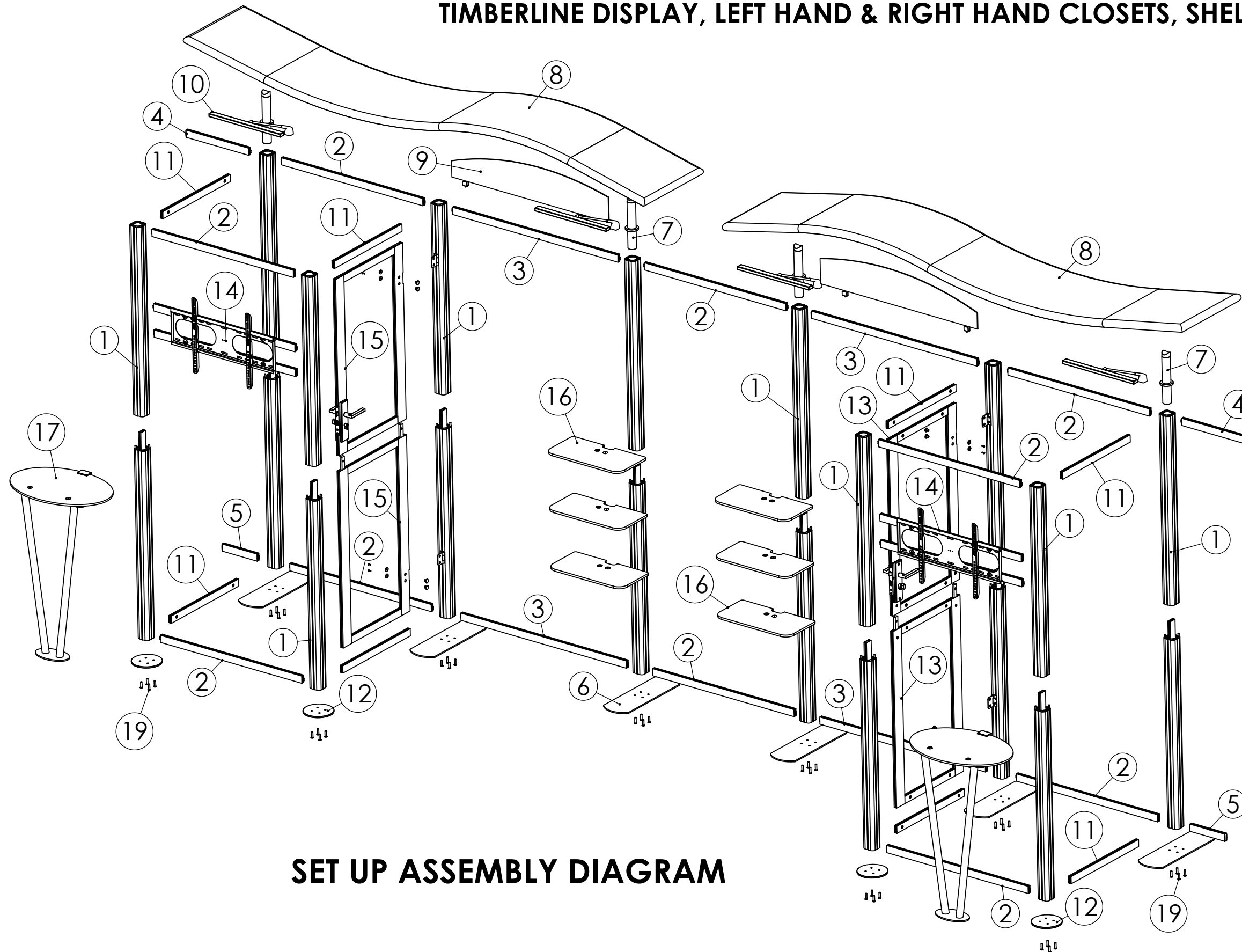
TL1002F-T20-2CL-2TV CONTAINS
(2) MOLDED PLASTIC WHEELED CASES
(1) CASE WILL CONTAIN CENTER SUPPORT BARS, MONITOR BRACKET
AND CENTER DYE-SUB FABRIC PANEL



20 FT. TIMBERLINE DISPLAY TL1002F-T20-2CL-2TV

THIRD ANGLE PROJECTION 		THE DOCUMENT AND DATA DISCLOSED HEREIN OR HEREWITH NOT TO BE REPRODUCED, USED, OR DISCLOSED IN WHOLE OR IN PART TO ANYONE WITHOUT PERMISSION OF NIEDO GROUP, INC.	
DIMENSIONS ARE IN MILLIMETERS TOLERANCES UNLESS OTHERWISE SPECIFIED		NIEDO GROUP, INC. 5465 SW WESTERN AVE. BEAVERTON, OR 97005 20 Ft. Timberline Wave Top, Left & Right Closets	
SET UP INSTRUCTIONS		SHEET 2	
SIZE: B	DWG. NO.:	REV:	-01
SCALE: NA	DO NOT SCALE DRAWING	SHEET	2

TIMBERLINE DISPLAY, LEFT HAND & RIGHT HAND CLOSETS, SHELVES, TABLES & TVs



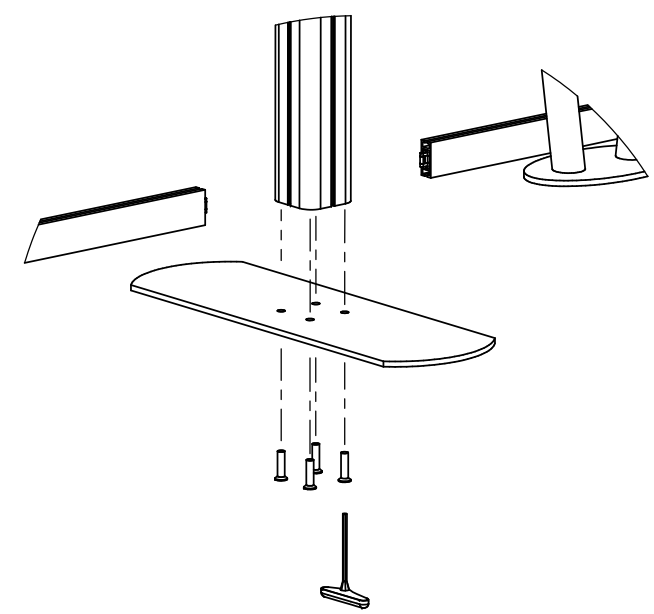
SET UP ASSEMBLY DIAGRAM

BILL OF MATERIALS

ITEM NO.	PART NUMBER	QTY
1	TIMBERLINE POST	10
2	35-5/8" HORIZONTAL BAR	10
3	41-11/16" HORIZONTAL BAR	4
4	15-3/4" HORIZONTAL BAR END PIECE	2
5	8-3/4" HORIZONTAL BAR END PIECE	2
6	TIMBERLINE FOOT	6
7	WAVE TOP SUPPORT POST	4
8	TIMBERLINE WAVE TOP	2
9	GRAPHIC HEADER	2
10	TIMBERLINE OVERHEAD LAMP	4
11	22-7/16" CLOSET FRAME HORIZONTAL BAR	8
12	TIMBERLINE CLOSET FOOT	4
13	TIMBERLINE CLOSET DOOR RIGHT HAND	1
14	TIMBERLINE CLOSET MONITOR MOUNT	2
15	TIMBERLINE CLOSET DOOR LEFT HAND	1
16	TIMBERLINE MOUNTED SHELF ASSEMBLY	6
17	TIMBERLINE ACCESSORY TABLE	2
18	GRAPHIC HEADER ATTACHMENT BRACKET	4
19	FOOT RETAINER SCREWS	40

THIRD ANGLE PROJECTION 		THE DOCUMENT AND DATA DISCLOSED HEREIN OR HEREBY IS NOT TO BE REPRODUCED, USED, OR DISCLOSED IN WHOLE OR IN PART TO ANYONE WITHOUT PERMISSION OF NIEDO GROUP, INC.	
DIMENSIONS ARE IN MILLIMETERS TOLERANCES UNLESS OTHERWISE SPECIFIED		NIEDO GROUP, INC. 5465 SW WESTERN AVE. BEAVERTON, OR 97005	
20 Ft. Timberline Wave Top, Left & Right Closets			
SET UP INSTRUCTIONS			
SHEET: B SCALE: NA	DWG. NO.: DO NOT SCALE DRAWING	SHEET: 3	REV: -01

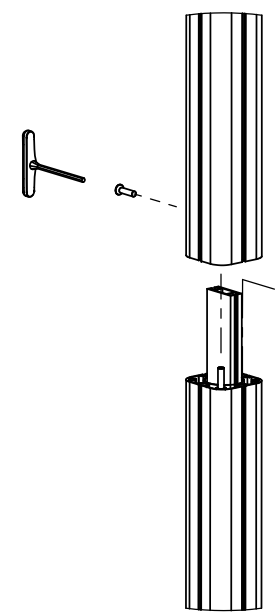
TIMBERLINE DISPLAY, LEFT HAND & RIGHT HAND CLOSETS, SHELVES, TABLES & TVs



STEP 1

INSTALL TIMBERLINE FEET WITH 4 SCREWS (ITEM #19) AND ALLEN WRENCH PROVIDED, REPEAT WITH ALL REMAINING FEET, ITEMS #6 & #12

AT THIS POINT, IF INSTALLING OPTIONAL ACCESSORY TABLES AND / OR SHELVES, FIRST SLIDE THE TABLE CLAMP MOUNTING STUDS INTO THE FRONT POST CHANNEL AS SHOWN.

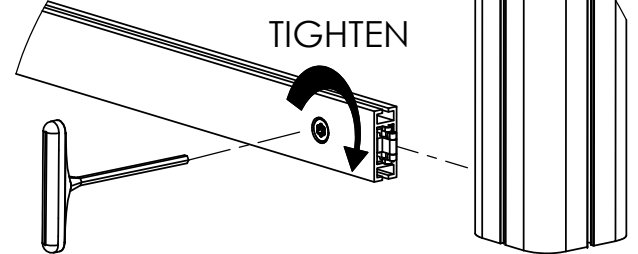


STEP 2

REMOVE SCREW FROM LOWER POST INSERT, SLIDE UPPER POST OVER LOWER POST, INSERT SCREW AND TIGHTEN. REPEAT WITH ALL POSTS. BE CERTAIN THAT HARDWARE IS INSERTED AND VISIBLE FROM BACKSIDE OF FRAME ONLY, AS SHOWN ABOVE.

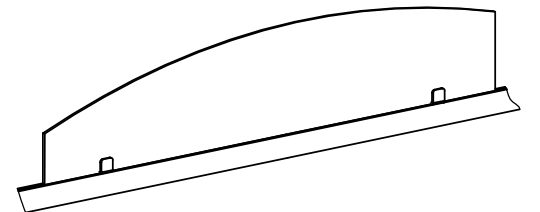
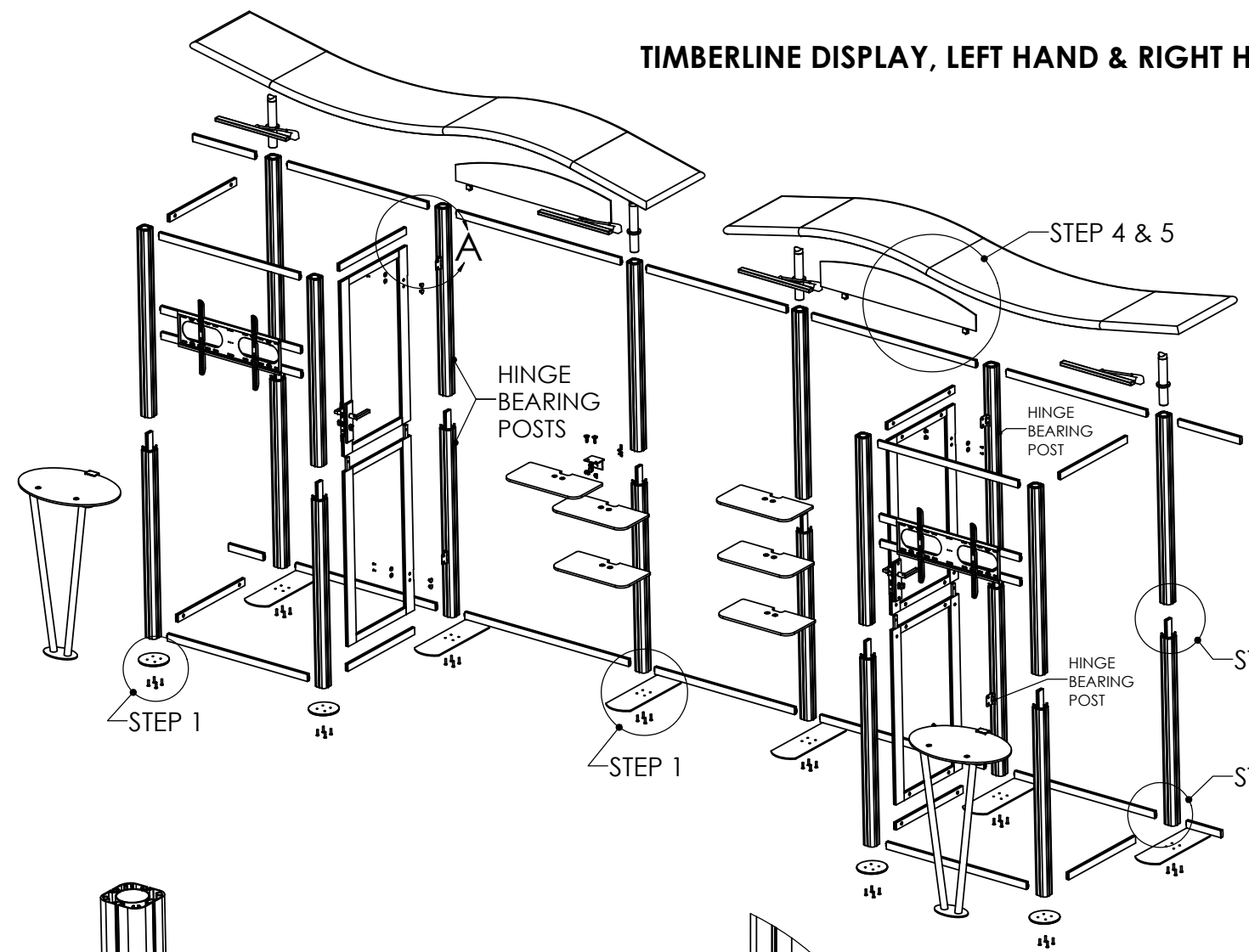
NOTE

(SEE DETAIL -A-) PLEASE IDENTIFY (2) CLOSET HINGE BEARING POST ASSEMBLIES AND ASSEMBLE THEM INTO THE STRUCTURE WITH HINGES ORIENTED AS SHOWN IN THE ABOVE DIAGRAM



STEP 3- REFER TO ASSEMBLY DIAGRAM AND BILL OF MATERIALS, PAGE 3 ASSEMBLE FRAME HORIZONTAL BARS #2 & #3, AND END BARS #4 & #5 TO MAIN POSTS

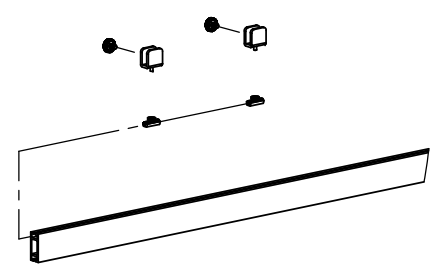
ASSEMBLE BARS TO POSTS BY INSERTING THE END OF THE LOCKING MECHANISM FULLY INTO POST CHANNEL THEN TURNING THE SOCKET HEAD ADJUSTMENT CLOCKWISE TO LOCK THE HORIZONTAL BAR IN PLACE. THIS PROCESS IS USED FOR ASSEMBLING TOP AND BOTTOM BARS ON BOTH FRAME AND CLOSET. DISASSEMBLE BY TURNING THE ADJUSTMENT COUNTER CLOCKWISE TO DISENGAGE. BE CERTAIN THAT THE INTERLOCK ADJUSTMENT IS INSIDE AND AWAY FROM THE FRONT OF THE DISPLAY TO AVOID BEING VISIBLE.



STEP 5

(GRAPHIC HEADER ATTACHMENT)

ATTACH HEADER INTO PREVIOUSLY INSTALLED PANEL RETAINERS. SIMPLY SLIDE IN AND FINGER TIGHTEN THUMB SCREWS.



STEP 4

SLIDE HEADER PANEL RETAINERS (ITEM #18) INTO UPPER GROOVE OF TOP FRAME HORIZONTAL BAR.

<p>THE DOCUMENT AND DATA DISCLOSED HEREIN OR HEREWITH IS NOT TO BE REPRODUCED, USED, OR DISCLOSED IN WHOLE OR IN PART TO ANYONE WITHOUT PERMISSION OF NIEDO GROUP, INC.</p>	
<p>THIRD ANGLE PROJECTION</p>	<p>NIEDO GROUP, INC. 5465 SW WESTERN AVE. BEAVERTON, OR 97005</p>
<p>DIMENSIONS ARE IN MILLIMETERS UNLESS OTHERWISE SPECIFIED</p>	<p>20 Ft. Wave Top, Left & Right Closets</p>
<p>SCALE: NA</p>	<p>DO NOT SCALE DRAWING SHEET 4</p>
<p>REV: B</p>	<p>REV: -01</p>
<p>SET UP INSTRUCTIONS</p>	

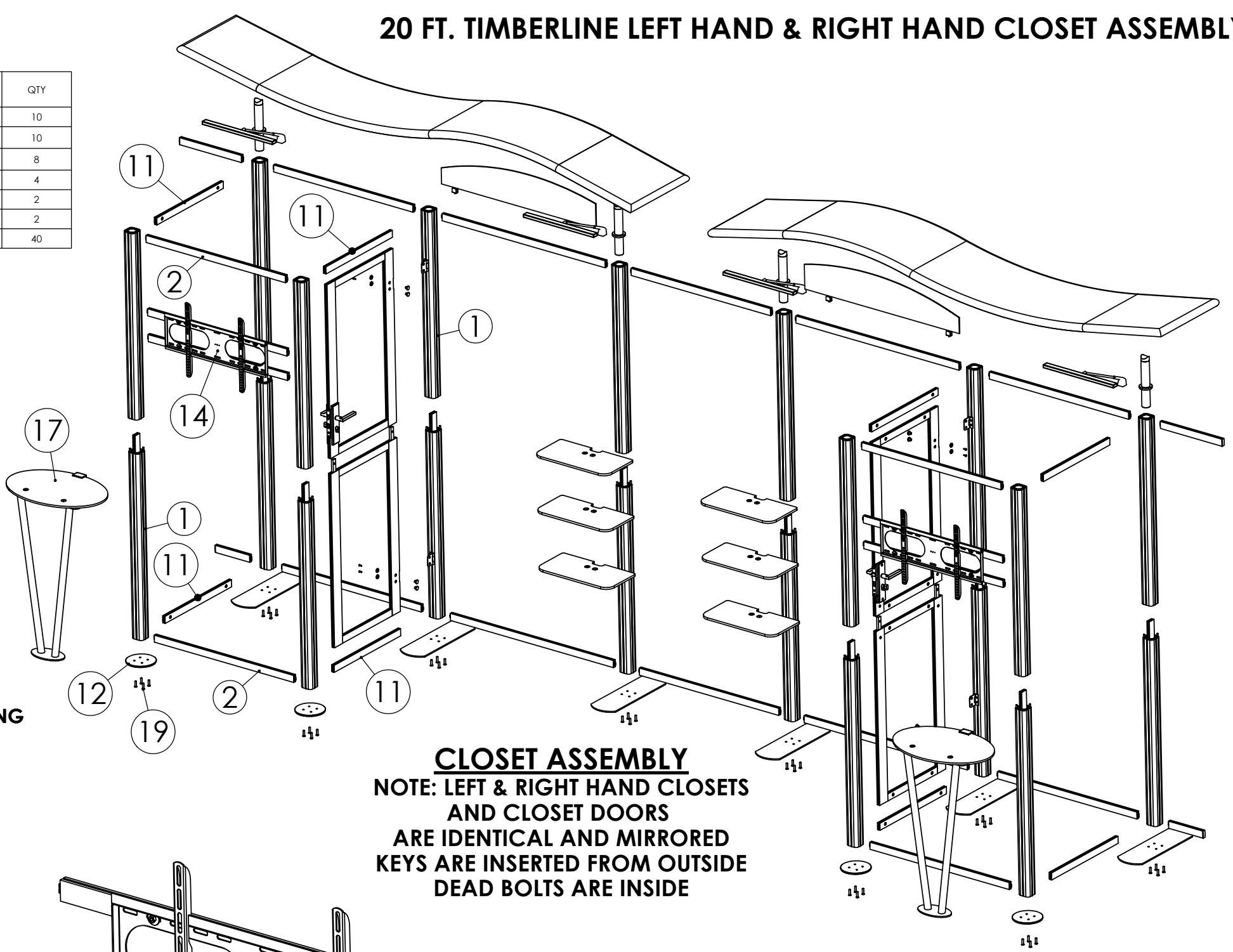
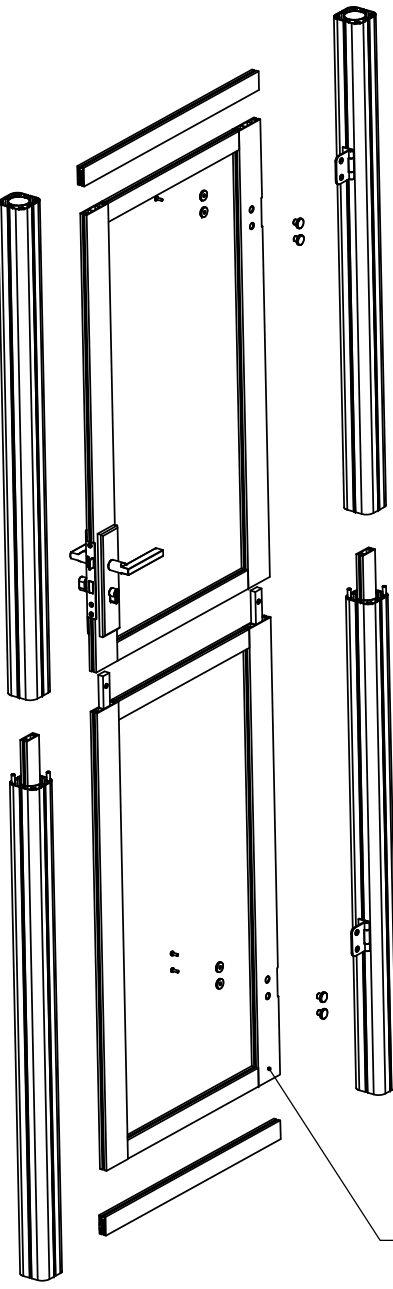
20 FT. TIMBERLINE LEFT HAND & RIGHT HAND CLOSET ASSEMBLY

ITEM NO.	PART NUMBER	QTY
1	TIMBERLINE POST	10
2	35-5/8" CLOSET FRAME HORIZONTAL BAR	10
11	22-7/16" CLOSET FRAME HORIZONTAL BAR	8
12	TIMBERLINE CLOSET FOOT	4
14	TIMBERLINE CLOSET MONITOR MOUNT	2
17	TIMBERLINE ACCESSORY TABLE	2
19	FOOT RETAINER SCREWS	40

STEP 7
TIMBERLINE CLOSET DOOR ASSEMBLY AND HINGE DETAIL
 ASSEMBLE TOP AND BOTTOM HALVES OF CLOSET DOOR WITH THE DOOR HANDLE ON THE RIGHT HAND UPPER HALF OF THE DOOR ASSEMBLY AS SHOWN. DOOR HINGES ARE PREVIOUSLY LOCATED AND MOUNTED ON THE DOOR FRAMING POSTS AS DESCRIBED IN STEP 6. ALIGN DOOR HINGE MOUNTING HOLES AS SHOWN. USE HARDWARE PROVIDED TO ASSEMBLE DOOR TO HINGES. WHEN ASSEMBLY IS COMPLETE BE SURE TO CHECK DOOR FOR PROPER SWING AND LATCHING AS WELL AS LOCKING.

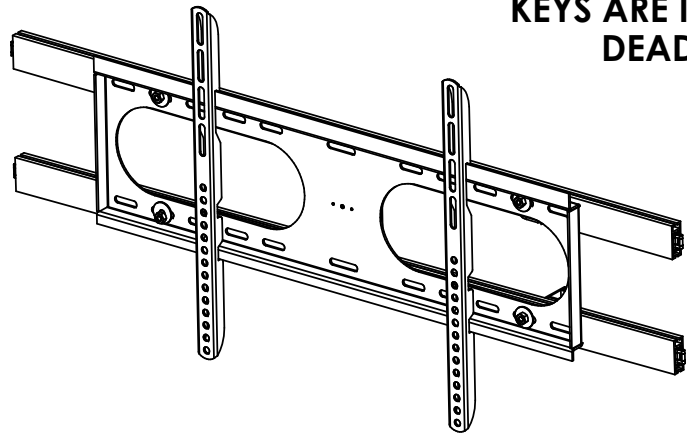
FOLLOW THESE STEPS FOR THE OPPOSING DOOR NOTING THAT IT IS MIRRORED.

LEFT HAND TIMBERLINE CLOSET DOOR



CLOSET ASSEMBLY
 NOTE: LEFT & RIGHT HAND CLOSETS AND CLOSET DOORS ARE IDENTICAL AND MIRRORED
 KEYS ARE INSERTED FROM OUTSIDE
 DEAD BOLTS ARE INSIDE

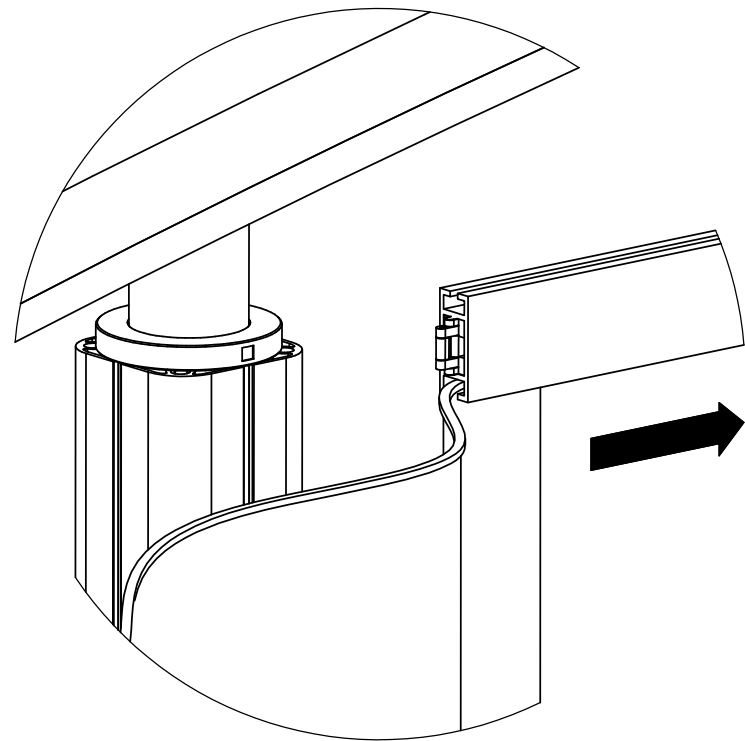
STEP 6
CLOSET ASSEMBLY AND MONITOR MOUNTING
 REFER TO ABOVE CLOSET ASSEMBLY DIAGRAM AND BILL OF MATERIALS
 ASSEMBLE HORIZONTAL BARS #11 TO MAIN FRAME HINGE BEARING POSTS FLUSH TO TOP AND BOTTOM AS SHOWN IN THE DIAGRAM. CONNECT THE FREE ENDS OF HORIZONTAL BARS #11 TO TIMBERLINE POSTS TO FORM THE FRONT CORNERS OF THE CLOSET AS SHOWN. POSITION HORIZONTAL BARS #2 **BOTTOM** AND ASSEMBLE TO THE FRONT CORNER POSTS AS SHOWN. SLIDE OPTIONAL MONITOR MOUNT ASSEMBLY DOWNWARDS INTO GROOVE IN TOP POSTS TO DESIRED HEIGHT AND TIGHTEN ADJUSTER/LOCKS TO SECURE THE MONITOR MOUNT. COMPLETE THE CLOSET FRONT BY SECURING THE TOP HORIZONTAL BAR #2 INTO POSITION.



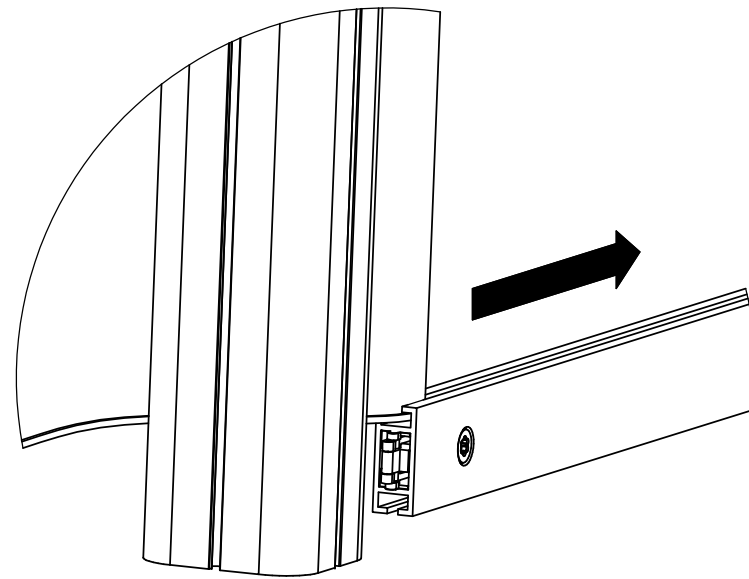
OPTIONAL MONITOR MOUNT

FROM: NIEDO GROUP, INC. 5465 SW WESTERN AVE. BEAVERTON, OR 97005 DIMENSIONS ARE IN MILLIMETERS TOLERANCES UNLESS OTHERWISE SPECIFIED		THIRD ANGLE PROJECTION THE DOCUMENT AND DATA DISCLOSED HEREIN OR HEREWITH NOT TO BE REPRODUCED, USED, OR DISCLOSED IN WHOLE OR IN PART TO ANYONE WITHOUT PERMISSION OF NIEDO GROUP, INC.
20 Ft. Wave Top, Left & Right Closets SET UP INSTRUCTIONS		DWG. NO. REV. SHEET 5

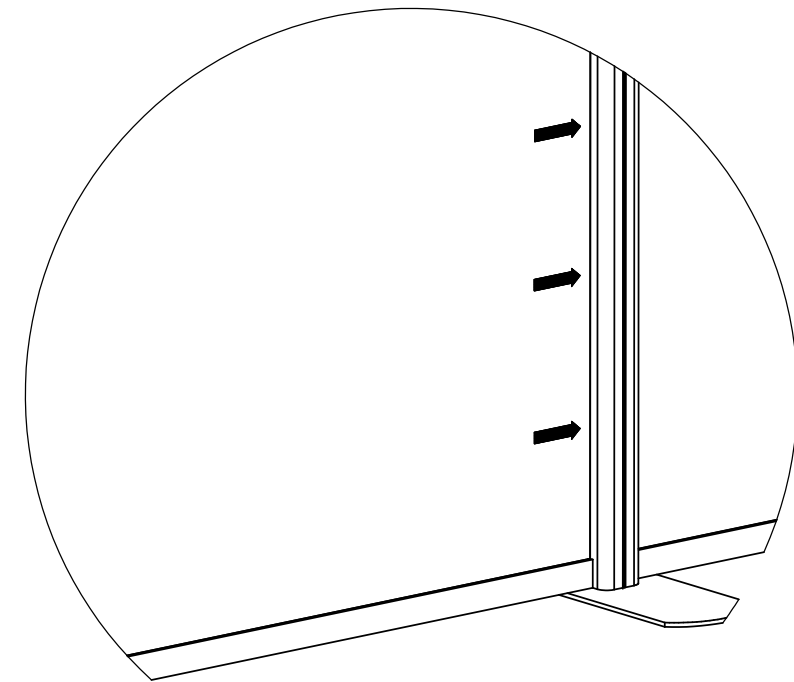
STEP 8 (GRAPHIC ATTACHMENT) THIS INSTRUCTION IS RELEVANT TO FRAME AND CLOSET, END PANELS AND HORIZONTAL BARS.



SLIDE GRAPHICS INTO BOTTOM CHANNEL OF TOP HORIZONTAL SUPPORT BAR THEN CONNECT THE SUPPORT BAR TO POSTS AT BOTH ENDS AS PER STEP 3 ON PAGE 4



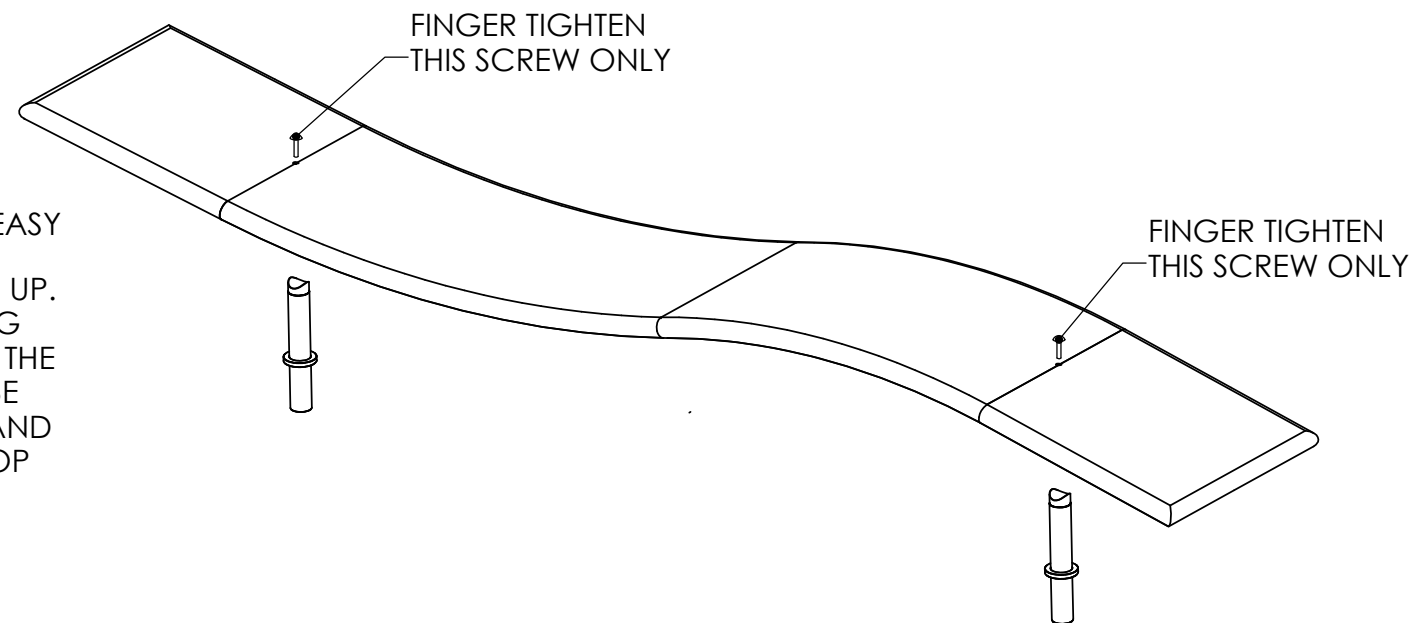
SLIDE GRAPHICS INTO TOP CHANNEL OF BOTTOM HORIZONTAL SUPPORT BAR THEN CONNECT THE SUPPORT BAR TO POSTS AT BOTH ENDS AS PER STEP 3 ON PAGE 4



WHEN TOP AND BOTTOM HORIZONTAL SUPPORT BARS ARE ATTACHED, THE GRAPHIC SIDES MAY BE TUCKED INTO THE VERTICAL CHANNELS OF THE MAIN POST ON BOTH SIDES

STEP 9
(WAVE TOP ASSEMBLY AND ATTACHMENT)

COMPONENTS OF THE WAVE TOP FRAME ARE LABELED FOR EASY ASSEMBLY. WHEN THE WAVE TOP FRAME IS ASSEMBLED SLIDE THE FABRIC COVER OVER LIKE A PILLOW CASE AND ZIP UP. WHEN THE COVER IS ON THE FRAME, INSERT THE MOUNTING SCREWS THROUGH THE HOLES PROVIDED AND THREAD INTO THE WAVE TOP SUPPORT POST (ITEM#7) IN THE BOTTOM SIDE, BE SURE TO FINGER TIGHTEN ONLY. WAVE TOP SUPPORT POST AND FRAME/SKIN ASSEMBLY MAY NOW BE INSERTED INTO THE TOP OF DESIGNATED TIMBERLINE POSTS (ITEM #1)

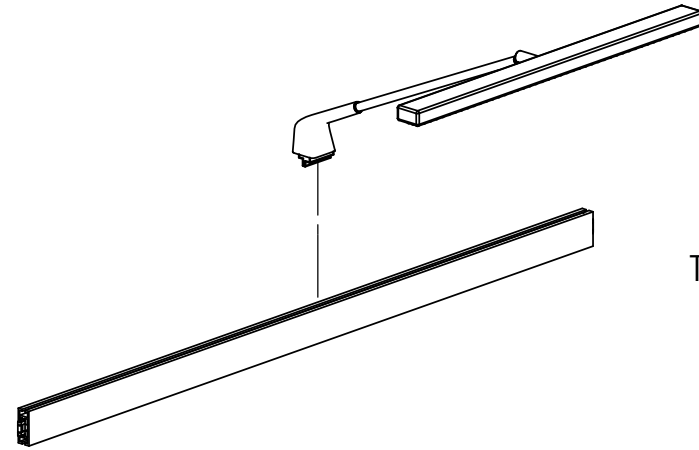


THIRD ANGLE PROJECTION 		THE DOCUMENT AND DATA DISCLOSED HEREIN OR HEREWITH NOT TO BE REPRODUCED, USED, OR DISCLOSED IN WHOLE OR IN PART TO ANYONE WITHOUT PERMISSION OF NIEDO GROUP, INC.	
MATERIAL: DIMENSIONS ARE IN MILLIMETERS TOLERANCES UNLESS OTHERWISE SPECIFIED		NIEDO GROUP, INC. 5465 SW WESTERN AVE. BEAVERTON, OR 97005 20 Ft. Timberline Wave Top, Left & Right Closets SET UP INSTRUCTIONS	
SEE	DWG. NO.	REV	01
SCALE:	DO NOT SCALE DRAWING	SHEET	6

20 FT. TIMBERLINE LEFT HAND AND RIGHT HAND CLOSET DISPLAY

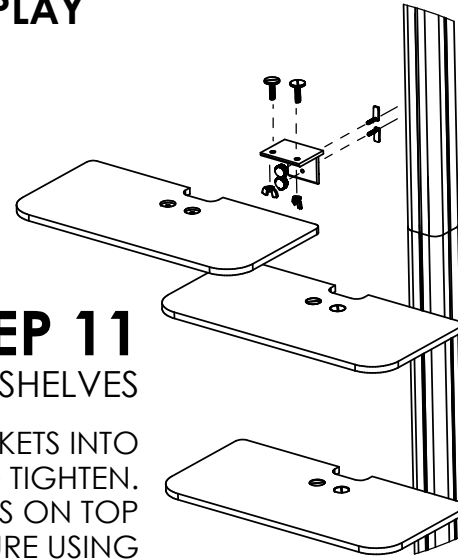
STEP 10 (OVERHEAD LAMPS)

SLIDE THE BASE ADAPTER INTO THE BOTTOM OF THE LAMP. THEN SLIDE THE LAMP INTO THE TOP GROOVE OF THE HORIZONTAL SUPPORT.



STEP 11 TIMBERLINE MOUNTED SHELVES

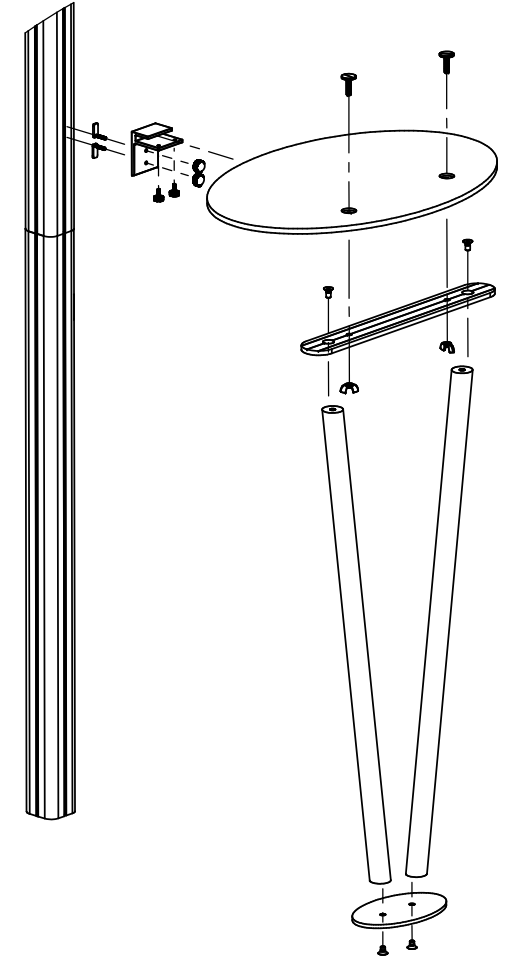
ATTACH BRACKETS INTO VERTICAL POSTS AND TIGHTEN. PLACE ACRYLIC SHELVES ON TOP OF BRACKET AND SECURE USING LARGE BOLTS AND WING NUTS.



STEP 12

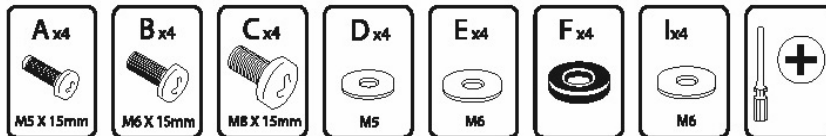
(ACCESSORY TABLE)

(ALL HARDWARE IS PROVIDED)
ASSEMBLE TABLE LEGS TOGETHER WITH THE TOP AND BOTTOM BASE PLATES AND SCREWS. THEN ATTACH THE ACRYLIC TABLE TOP WITH THE LARGE BOLTS AND WING NUTS TO TOP OF BASE PLATE ON LEGS. ATTACH CLAMP TO BACK OF ACRYLIC TABLE TOP FOR INSERTION INTO VERTICAL POSTS.



TL1007 Monitor Mount for 30-50 LCD

Each Kit includes: 1 monitor mount w/ bars attached, 12 screws & 16 washers

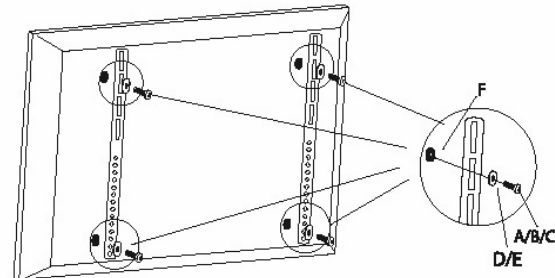


Safety Warning: Be careful to make sure there are no missing or defective parts. Never use defective parts. Improper installation may cause damage or serious injury.

Installing bars to your LCD monitor

STEP 1

- 1) To ensure optimal installation, this kit includes various screws of different diameters and lengths.
- 2) Place your TV screen down on a soft, flat surface and locate the threaded mounting points that are located on the back of the display.
- 3) Determine which screw (A/B/C) is of the correct length by carefully inserting a straw or toothpick and mark how deep the mounting point is.
- 4) If your display has a curved back or a recessed thread mounting point, a spacer (F) must be used.
- 5) Place the spacer (F) between the mounting bracket and display.
- 6) According to the size of the display's hole, choose the corresponding screw and hole on the rectangle washer, then thread them in line.



Notice: First, if the TV back is accurate you will need to use (F), if it's flat that is unnecessary. Second, the choice of screw (A/B/C) should be according to the size and depth of the install aperture in the back of the TV.

STEP 13 (MONITOR MOUNTING BRACKET)

FOLLOW THE STEPS AT LEFT TO ATTACH THE MONITOR MOUNTING BRACKETS TO YOUR MONITOR (NOT PROVIDED). ONCE THE BRACKETS ARE ATTACHED AND SECURE YOU ARE READY TO ATTACH YOUR MONITOR TO THE MONITOR MOUNTING DESCRIBED ON PAGE 5, STEP 6.

<p>THIRD ANGLE PROJECTION</p>	<p>PROPERTY</p> <p>THIS DOCUMENT AND DATA DISCLOSED HEREIN OR HEREWITH NOT TO BE REPRODUCED, USED, OR DISCLOSED IN WHOLE OR IN PART TO ANYONE WITHOUT PERMISSION OF NIEDO GROUP, INC.</p>
<p>MATERIAL:</p> <p>DIMENSIONS ARE IN MILLIMETERS</p> <p>TOLERANCES UNLESS OTHERWISE SPECIFIED</p>	<p> NIEDO GROUP, INC. 5465 SW WESTERN AVE. BEAVERTON, OR 97005</p> <p>20 Ft. Wave Top, Left & Right Closets</p> <p>SET UP INSTRUCTIONS</p> <p>SEE DWG. NO. TL-1003-T30F-CL-TV REV 01</p> <p>SCALE: DO NOT SCALE DRAWING SHEET 7</p>