

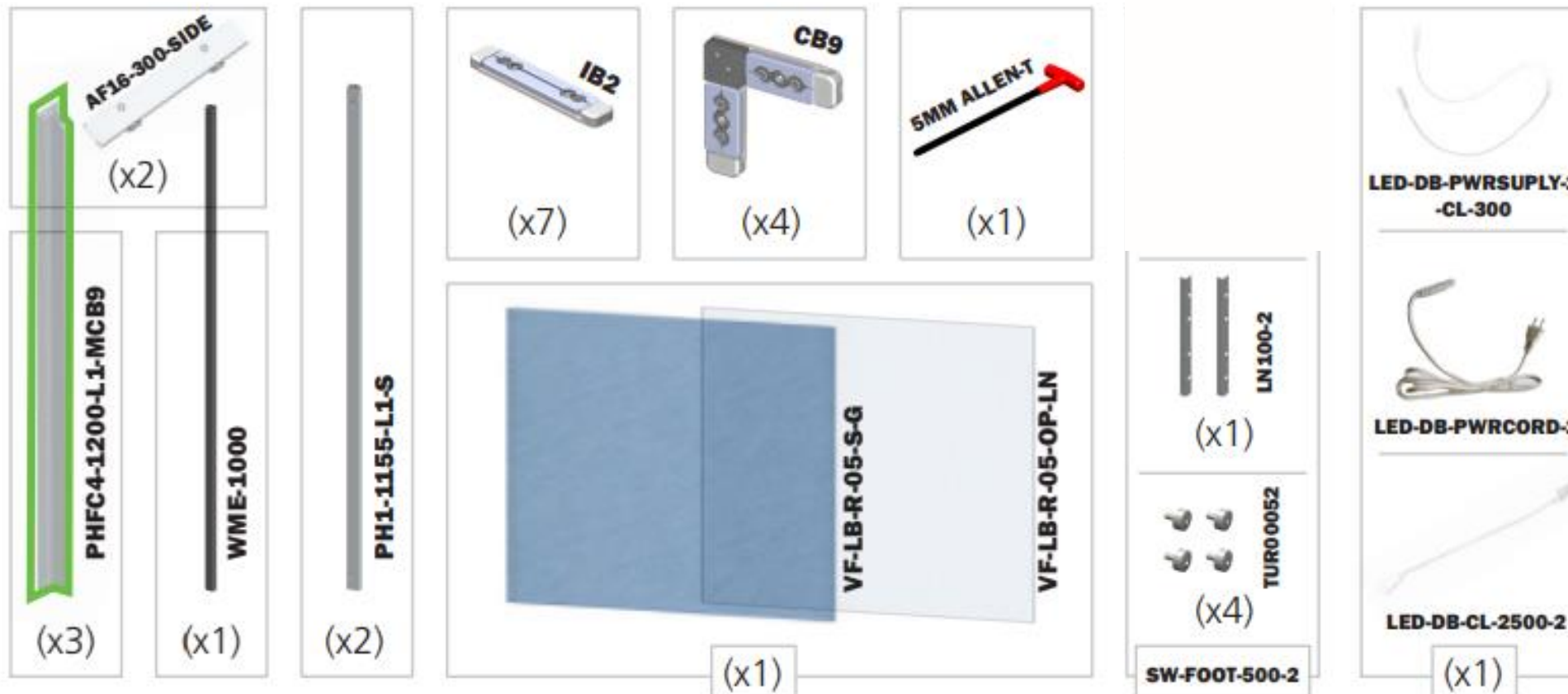
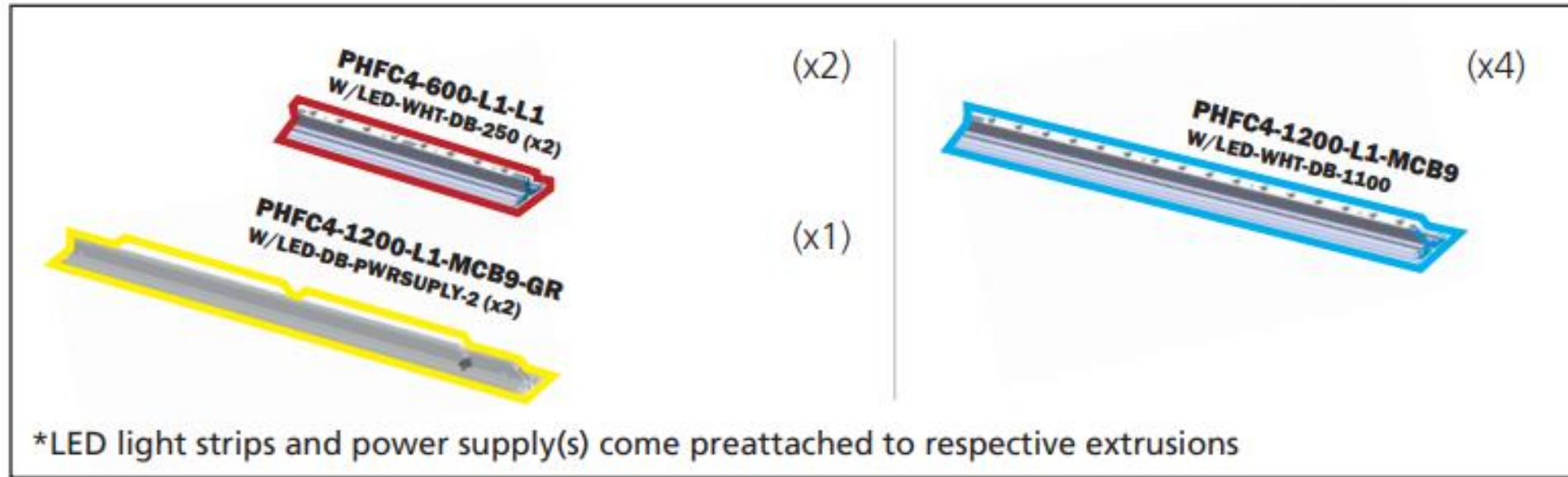
# H&H 10x20 – Set up Instructions



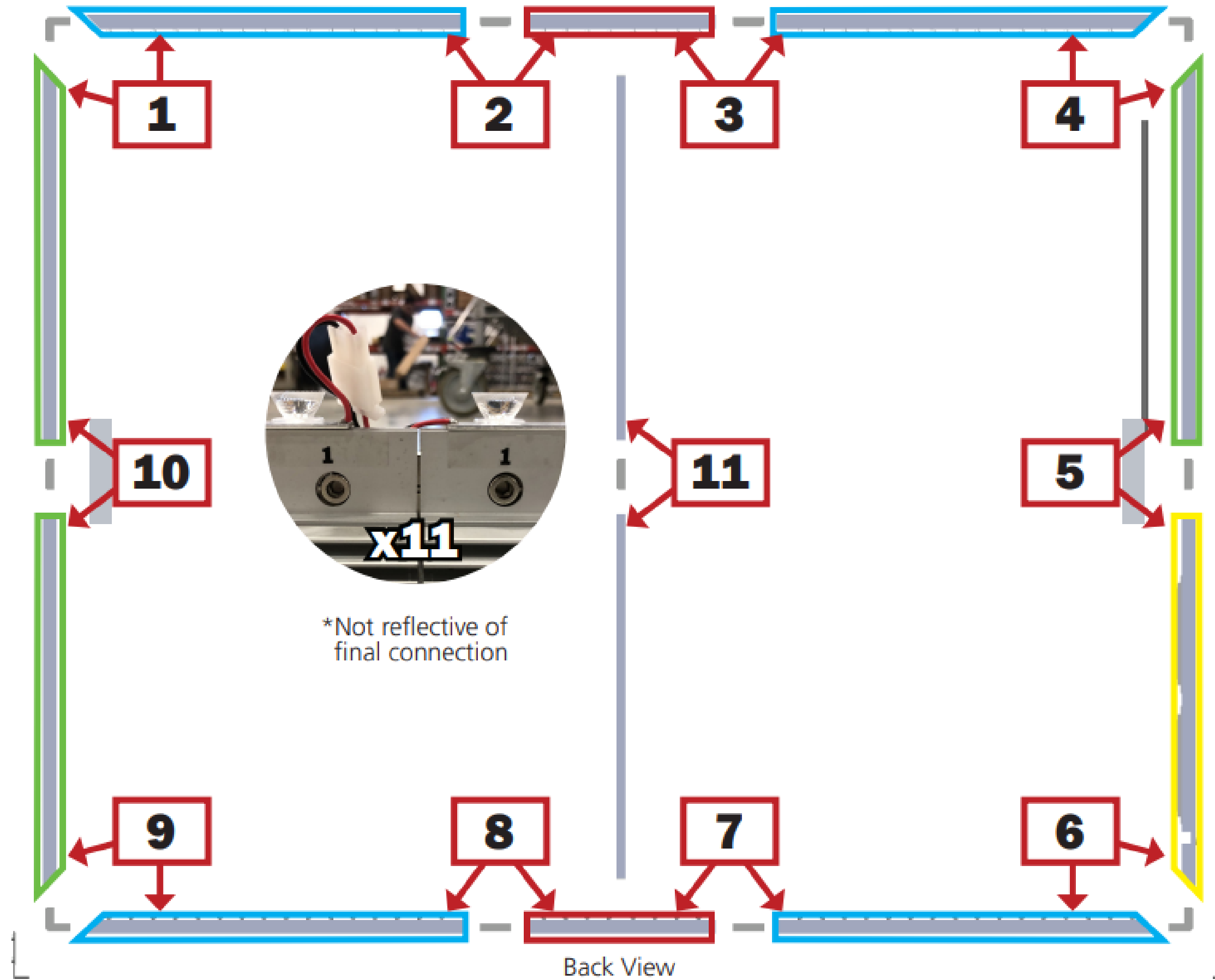
<b>Table of Contents</b>	<b>– Page 2</b>
<b>SEG Lightbox Assembly</b>	<b>– Page 3</b>
<b>Tools &amp; Equipment Needed</b>	<b>– Page 7</b>
<b>Electrical Drops</b>	<b>– Page 8</b>
<b>Flooring</b>	<b>– Page 10</b>
<b>Green Section</b>	<b>– Page 11</b>
<b>Red Section</b>	<b>– Page 14</b>
<b>Final Touches</b>	<b>– Page 17</b>

# SEG GRAPHIC LIGHT BOX ASSEMBLY INSTRUCTIONS

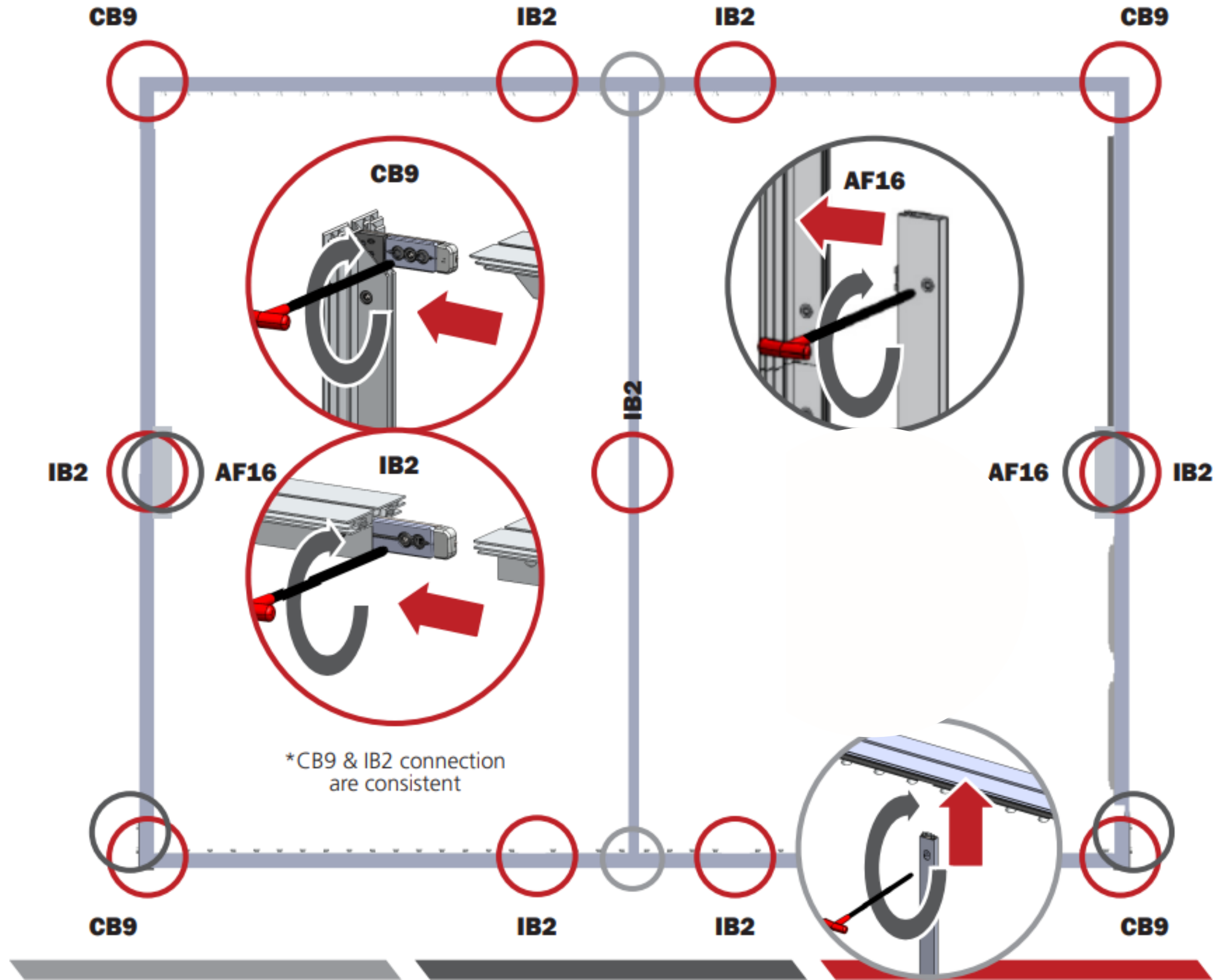
(Referenced on pages 13 & 14)



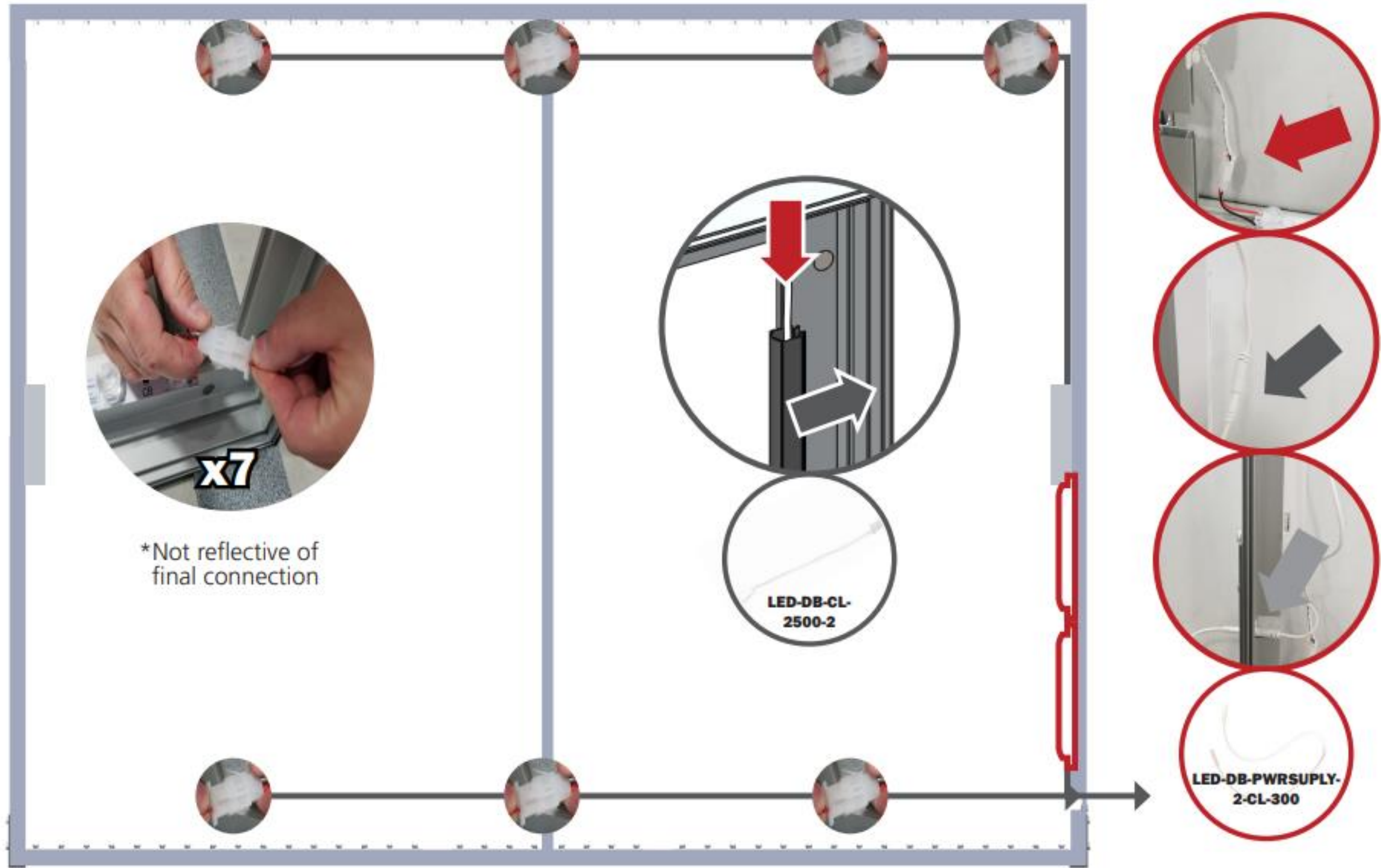
# H&H 10x20 – Set up Instructions – SEG



# H&H 10x20 – Set up Instructions – SEG



# H&H 10x20 – Set up Instructions – SEG



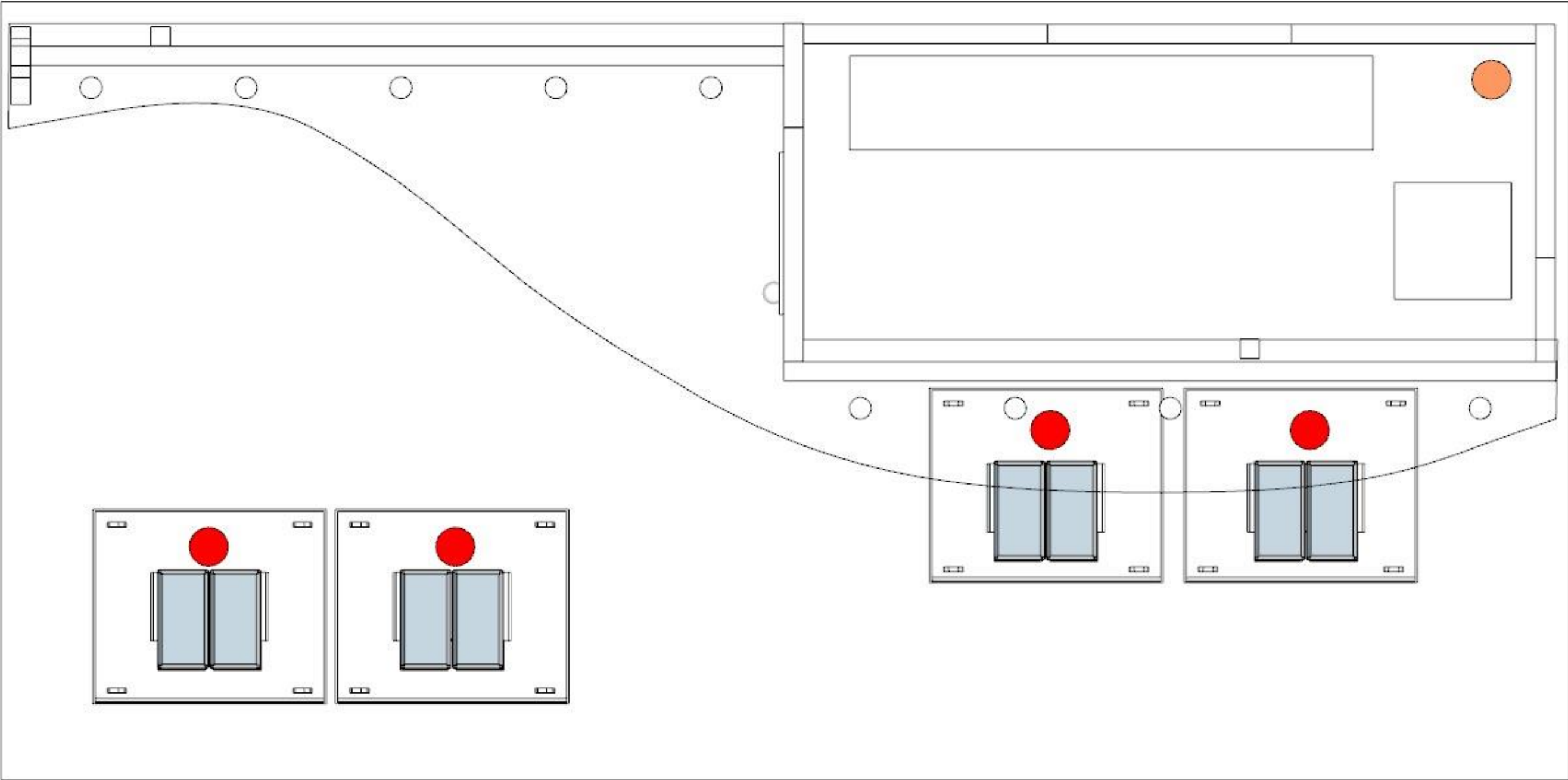
## **Tools & Equipment Needed**

---

- 1) Impact Drill with 1/4" - 20 driver**
- 2) 2 - 6' Ladders**
- 3) Genie Lift**

H&H 10x20 – Set up Instructions – Power Drops

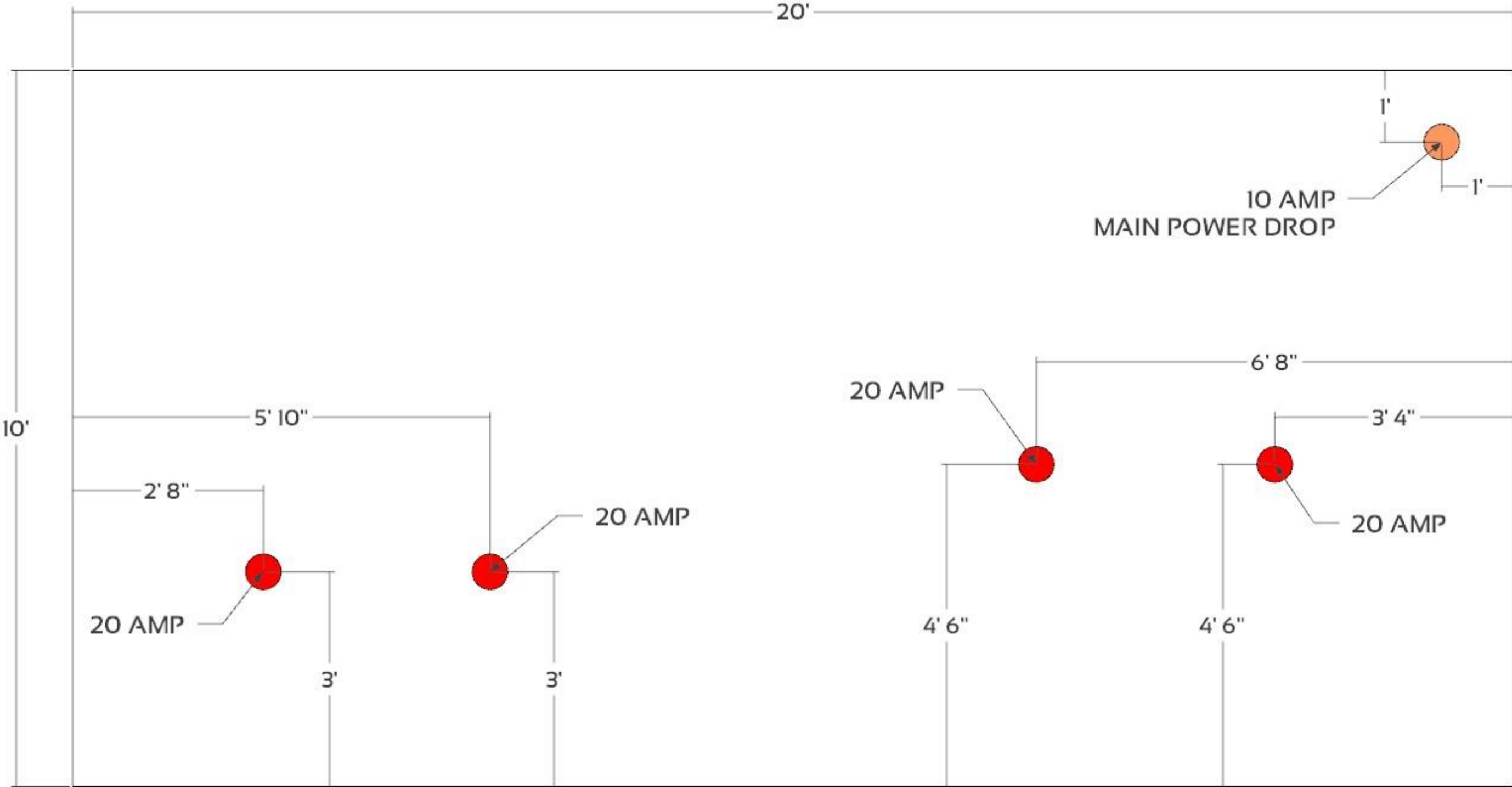
**Ensure that the booth orientation is correct and that all power drops are in the correct locations**





# H&H 10x20 – Set up Instructions – Power Drops

**Ensure that the booth orientation is correct and that all power drops are in the correct locations**

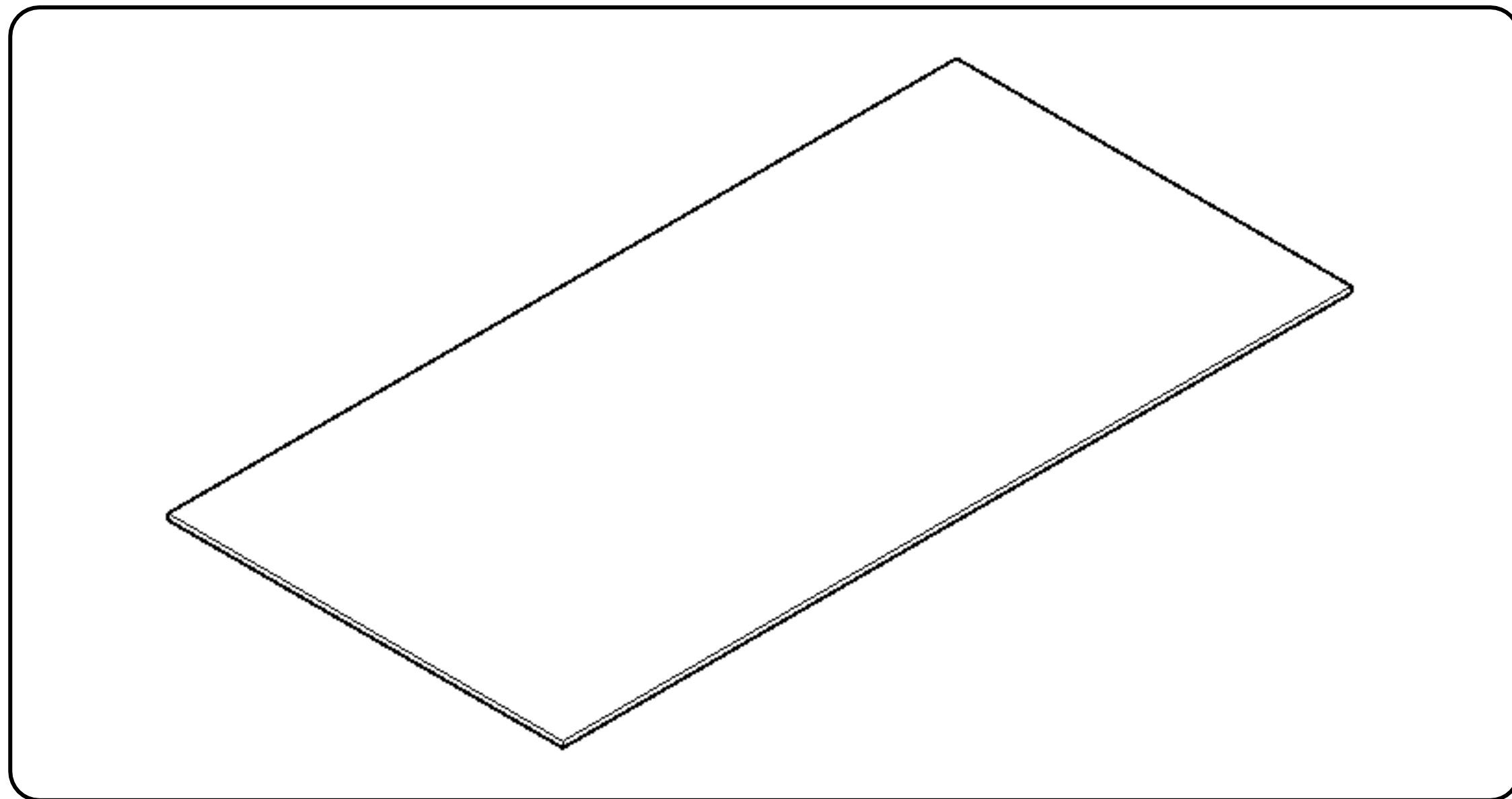


## H&H 10x20 – Set up Instructions - Flooring

Align **Padding** and roll out, trimming off any excess.

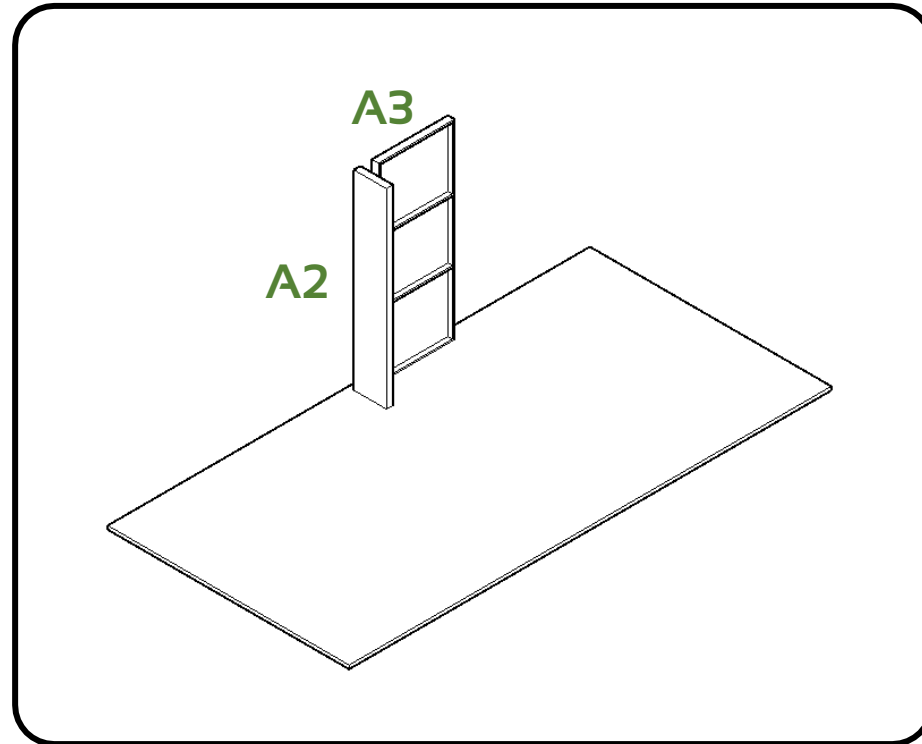
Once **padding** is down, lay down the **Flex Floor**

After **Flex Floor** is down, use **VisQueen** to help protect it until show day.

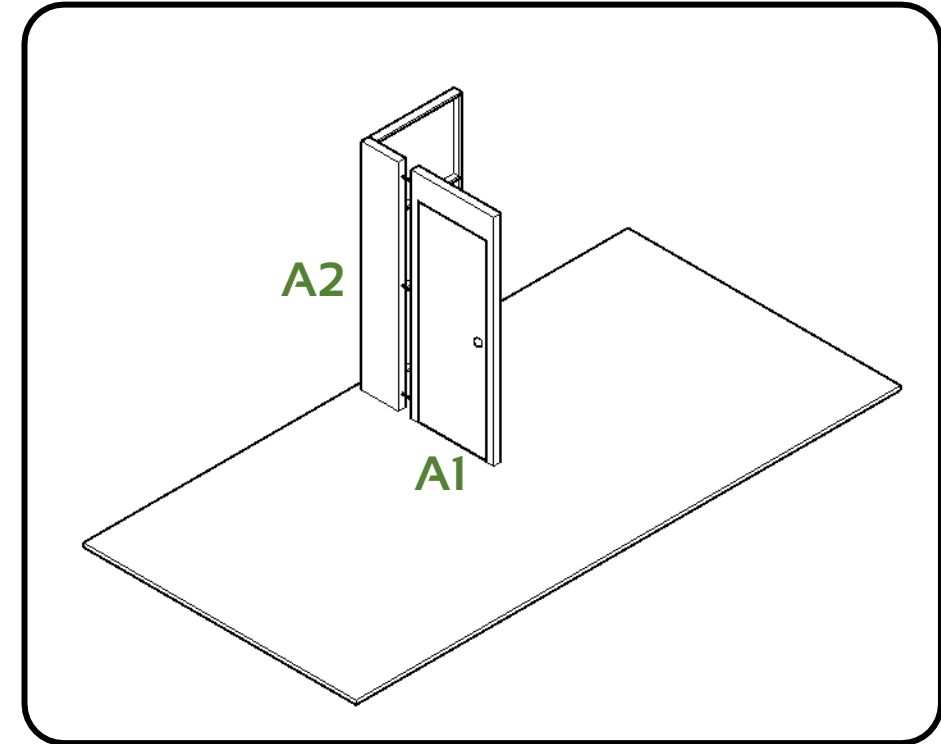


# H&H 10x20 – Set up Instructions – Green Section

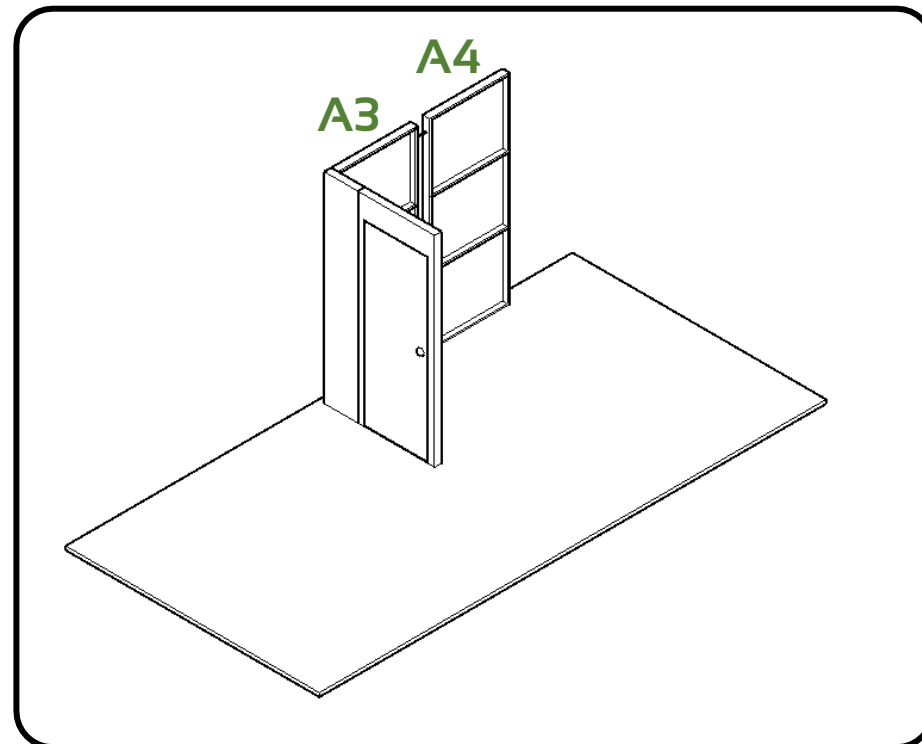
Begin to assemble the closet structure by aligning the **Green A2 Panel** with the **Green A3 Panel**. Once aligned, bolt into place using supplied **1/4-20 hex bolts**.



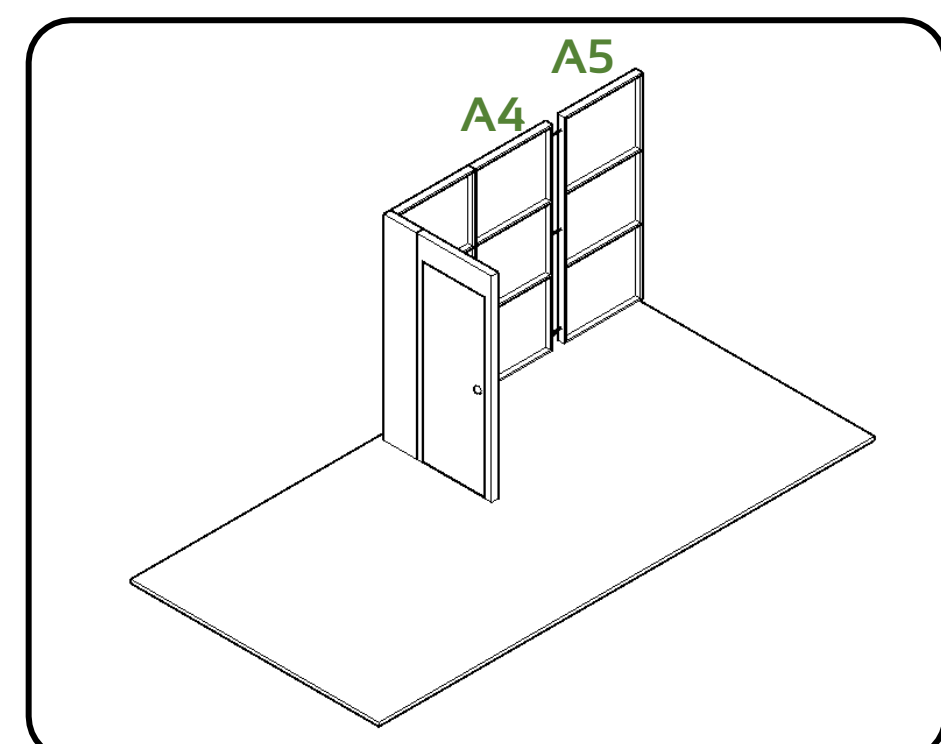
Now, align the **Green A2 Panel** with the **Green A1 Door Panel**. Once aligned, bolt into place using supplied **1/4-20 hex bolts**.



Align the **Green A3 Panel** with the **Green A4 Panel**. Once aligned, bolt into place using supplied **1/4-20 hex bolts**.

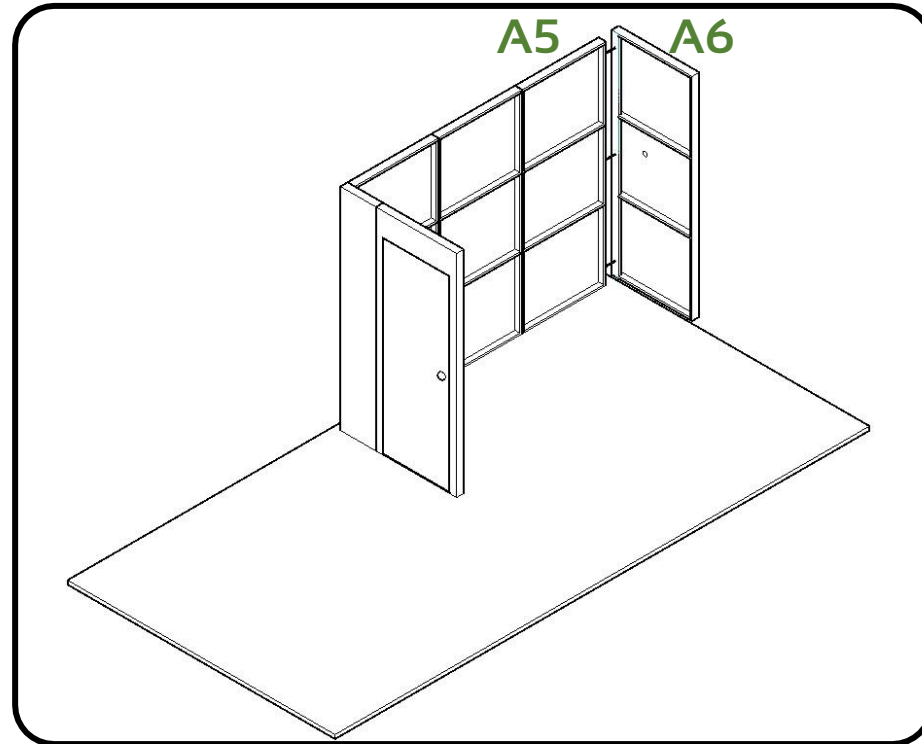


Align the **Green A4 Panel** with the **Green A5 Panel**. Once aligned, bolt into place using supplied **1/4-20 hex bolts**.

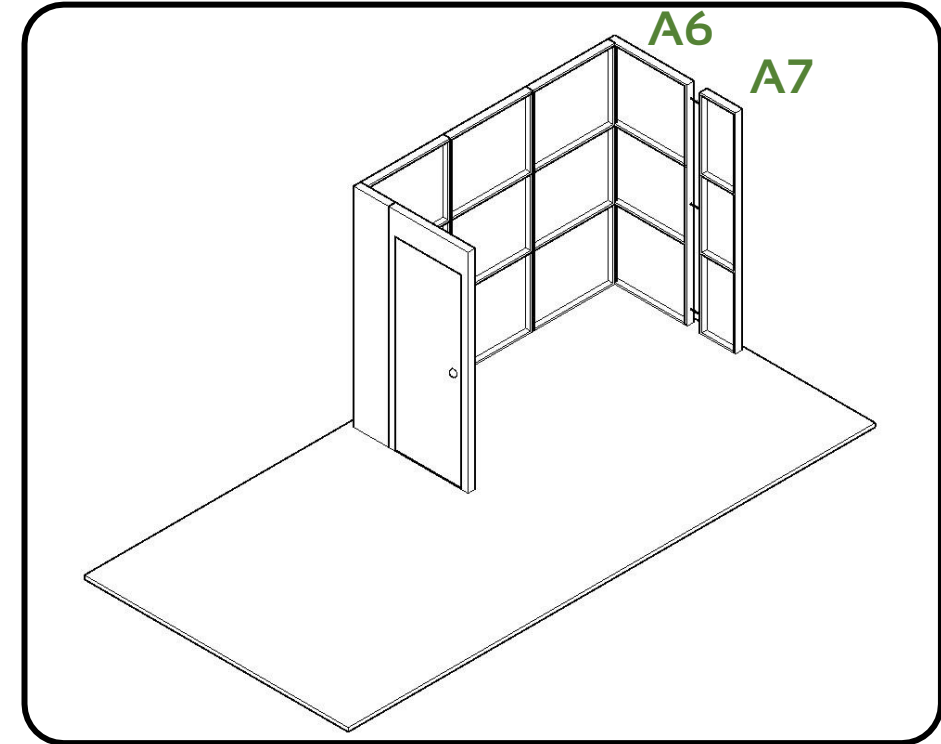


# H&H 10x20 – Set up Instructions – Green Section

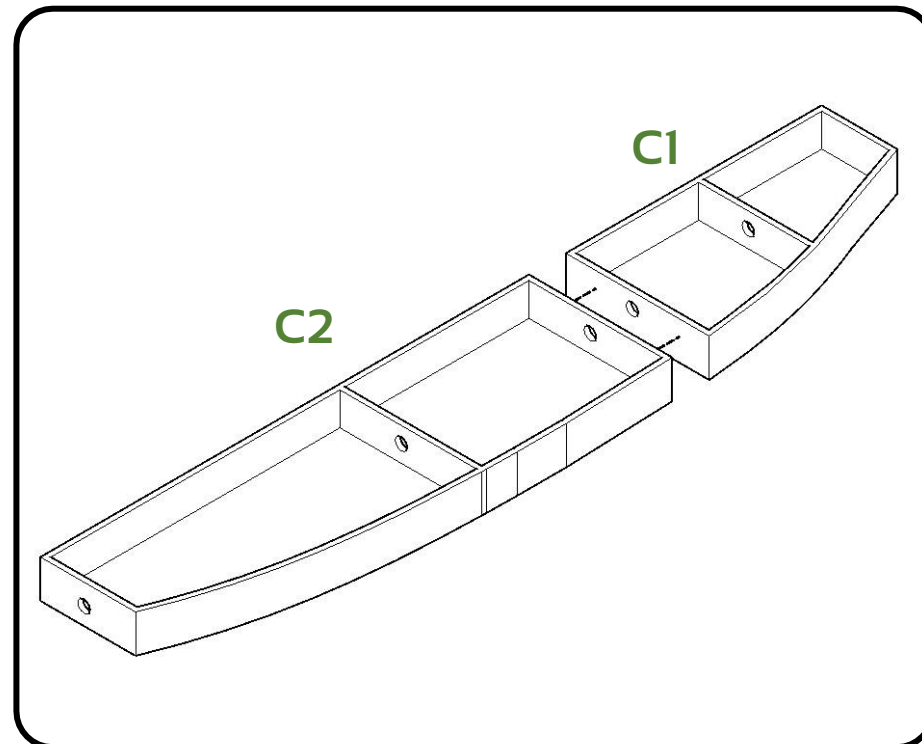
Align the Green A5 Panel with the Green A6 Panel (**Please note, Green A6 also has a Red A1 Label on it. Disregard this label, it is for a different orientation**). Once aligned, bolt into place using supplied 1/4-20 hex bolts.



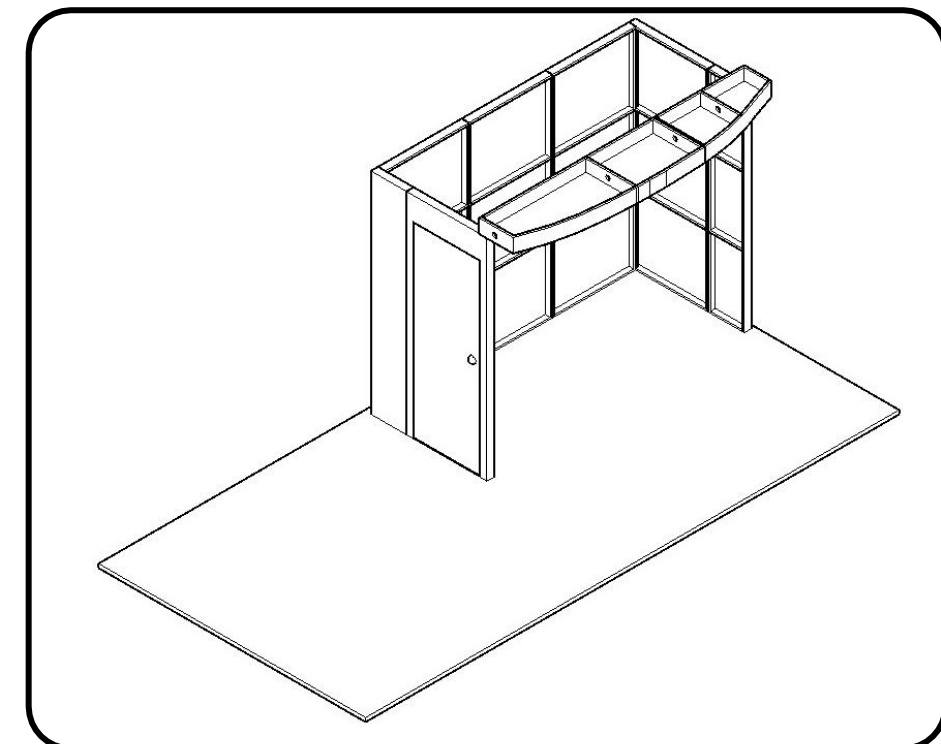
Align the Green A6 Panel with the Green A7 Panel. Once aligned, bolt into place using supplied 1/4-20 hex bolts.



On the floor, align the Green C1 Canopy Panel with the Green C2 Canopy Panel. Once aligned, bolt into place using supplied 1/4-20 hex bolts.



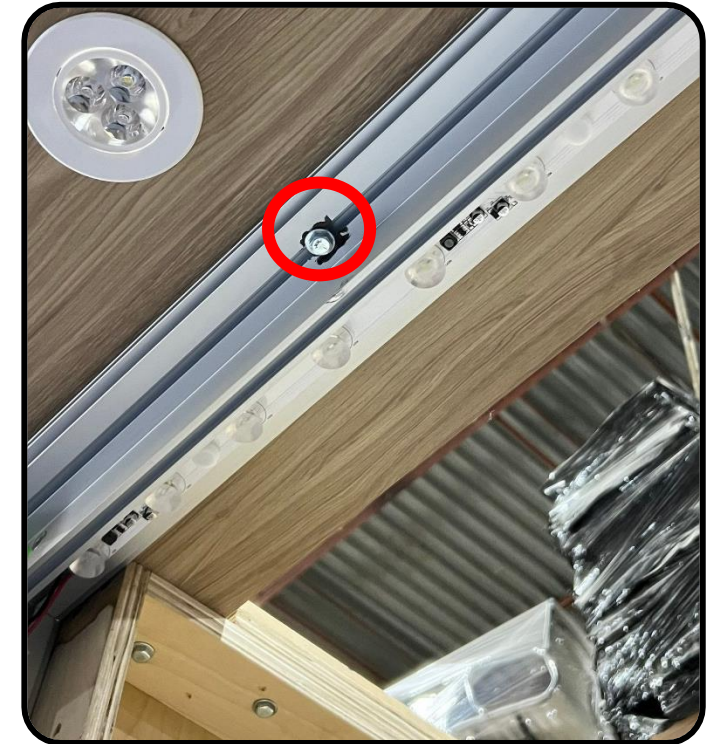
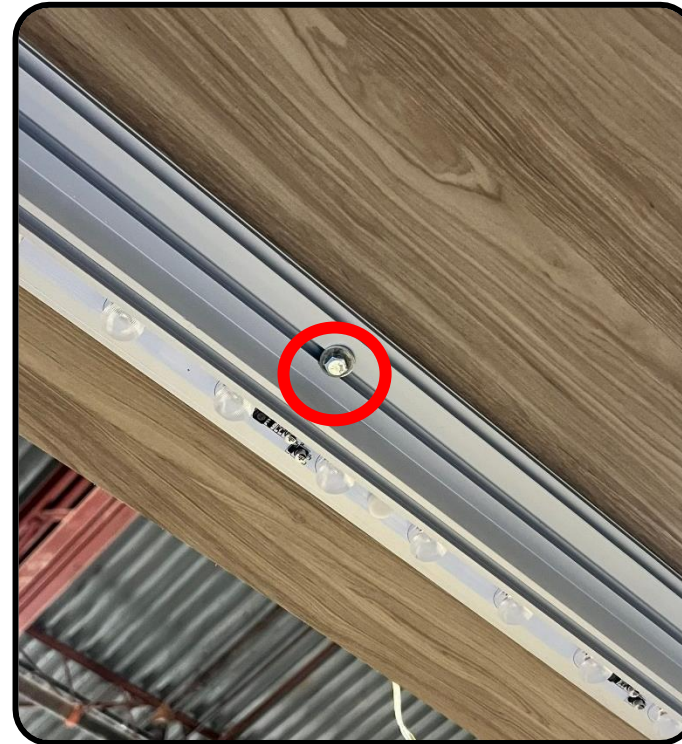
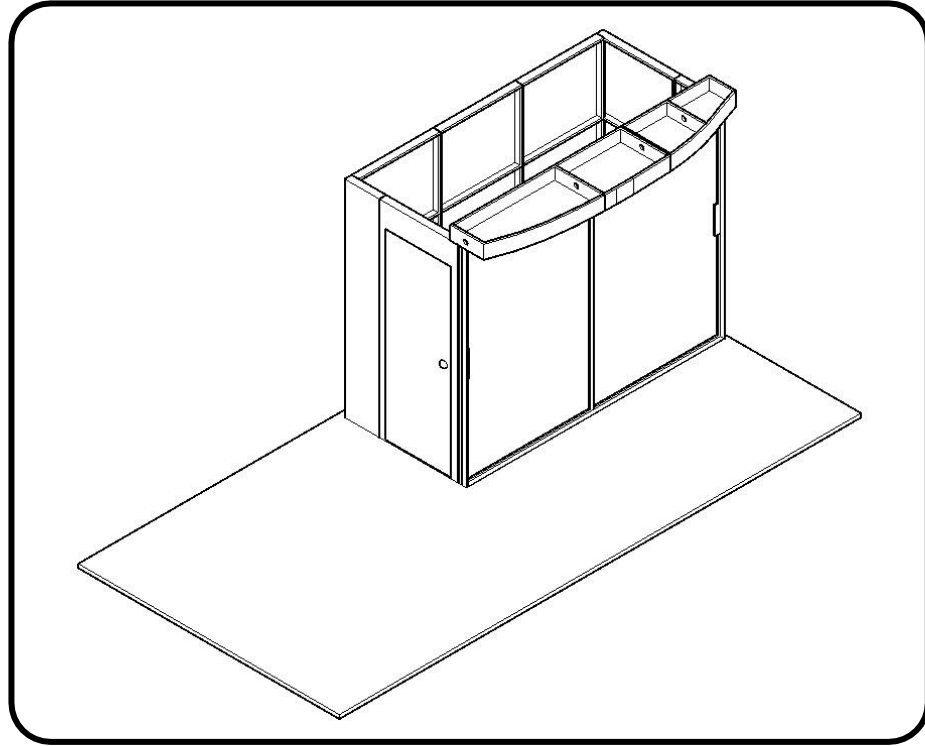
Carefully lift the canopy structure up and bolt into the closet structure. The bolt locations are located on the left and right sides of the closet canopy



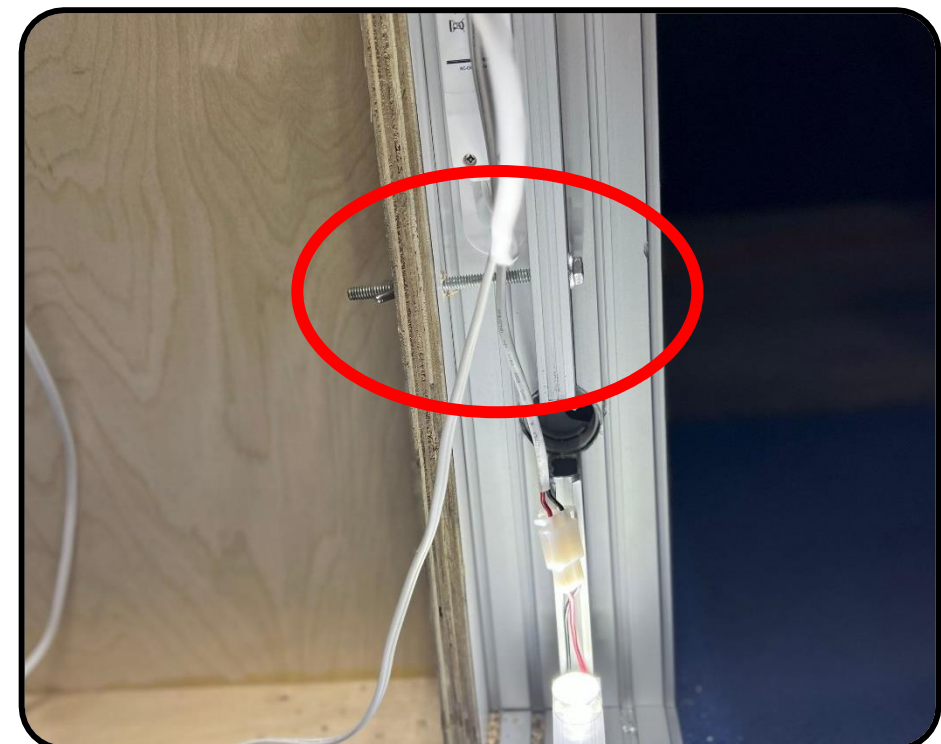
# H&H 10x20 – Set up Instructions – Green Section

Assemble the **Green Labeled SEG Lightbox** according to the instructions on pages **3** through **6**. Then, apply the **backer fabric** to the **frame**.

Once **backer** is attached, slide the **frame** into place and bolt into the **canopy**



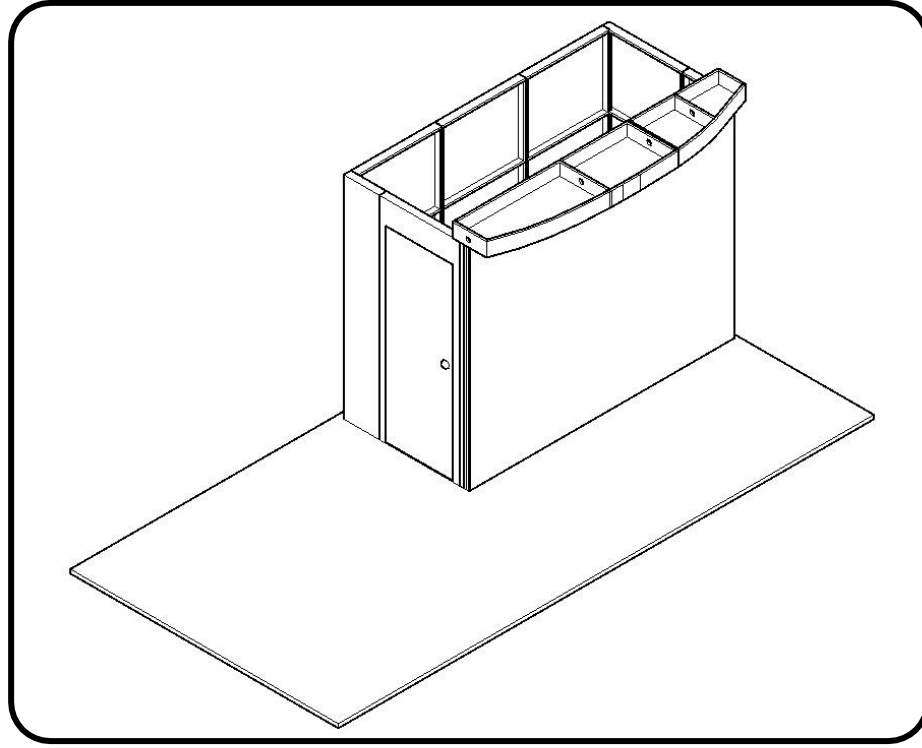
**Bolt the frame into place along the lower right- and left-hand sides.**



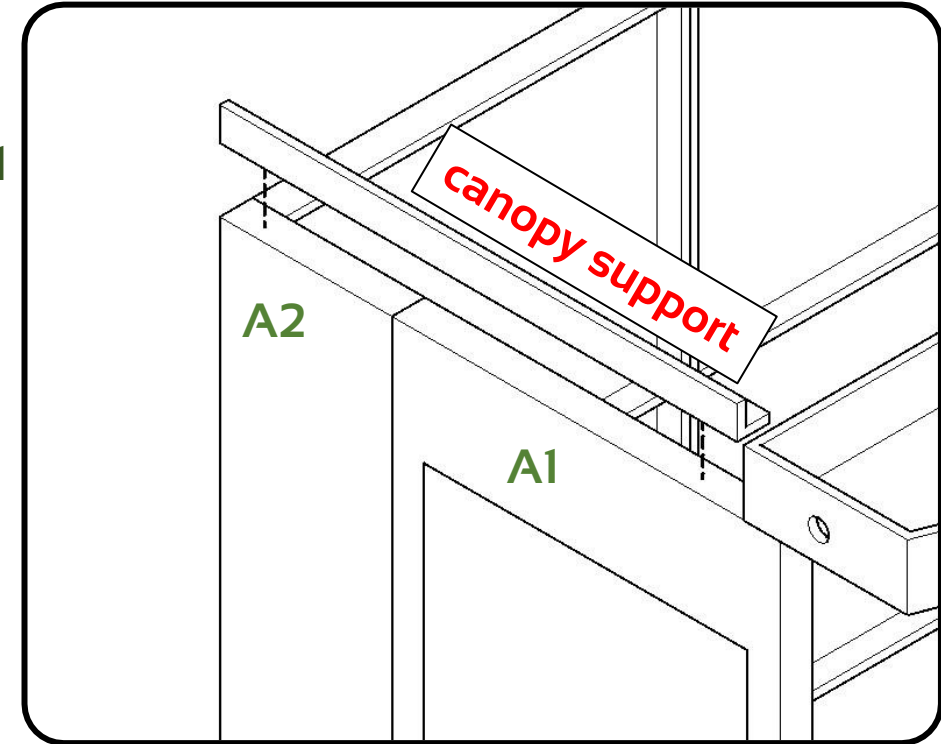
# H&H 10x20 – Set up Instructions –Red Section

Apply the **front graphic** to the frame.

For more information on graphic placement, please see the graphics template

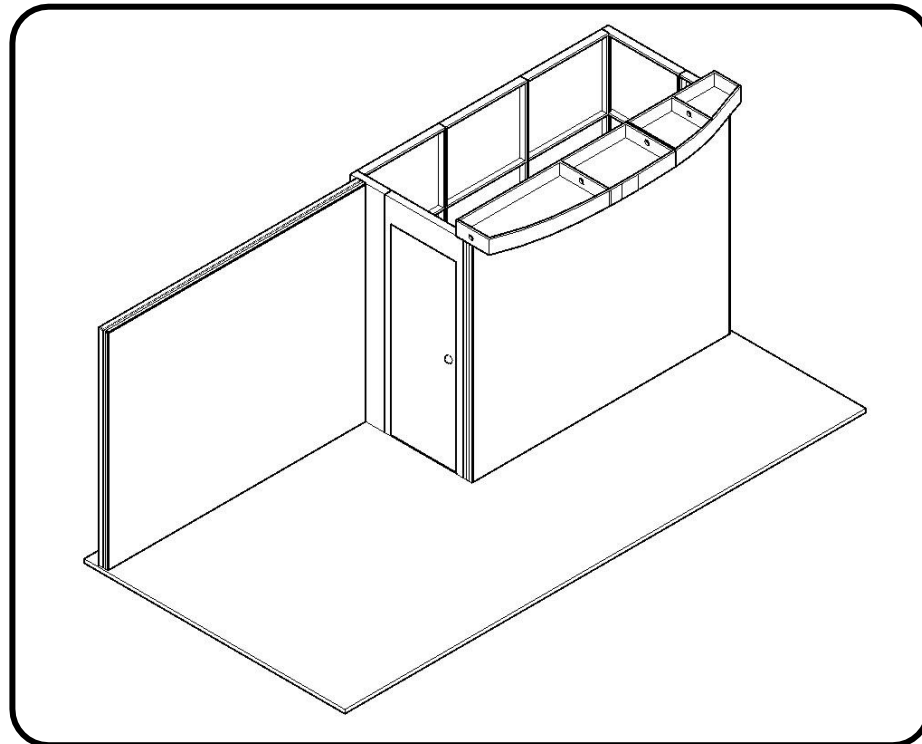


Bolt the **canopy support** to the top of panels **Green A1** and **Green A2**



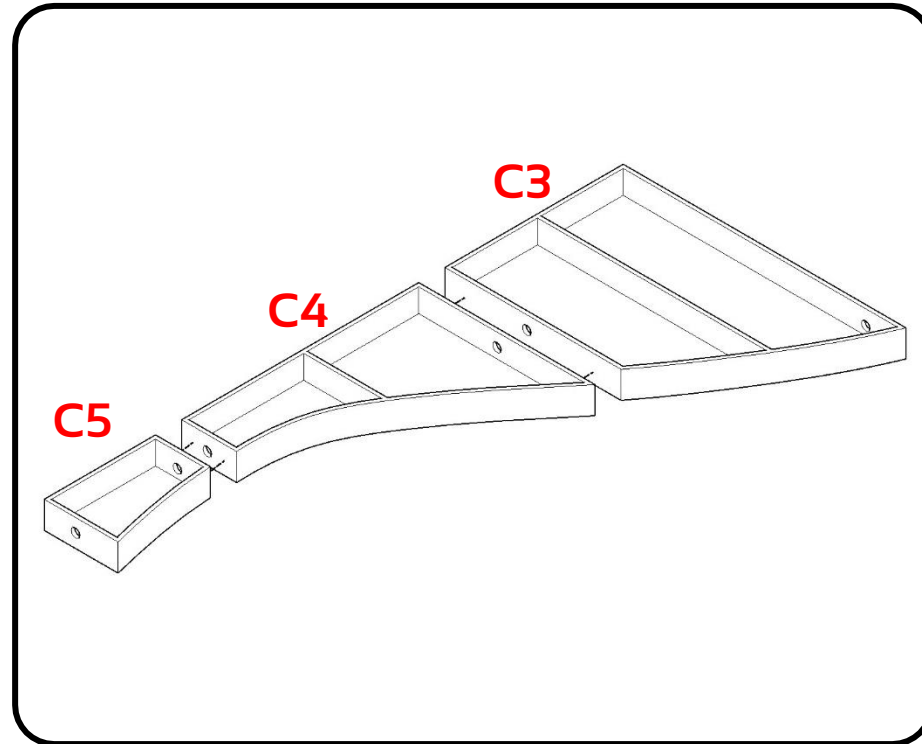
Assemble the **Red Labeled SEG Lightbox** according to the instructions on pages **3** through **6**. Then, apply the **front graphic** to the **frame**.

Once **graphic** is attached, slide the **frame** into place and bolt into the **closet**.



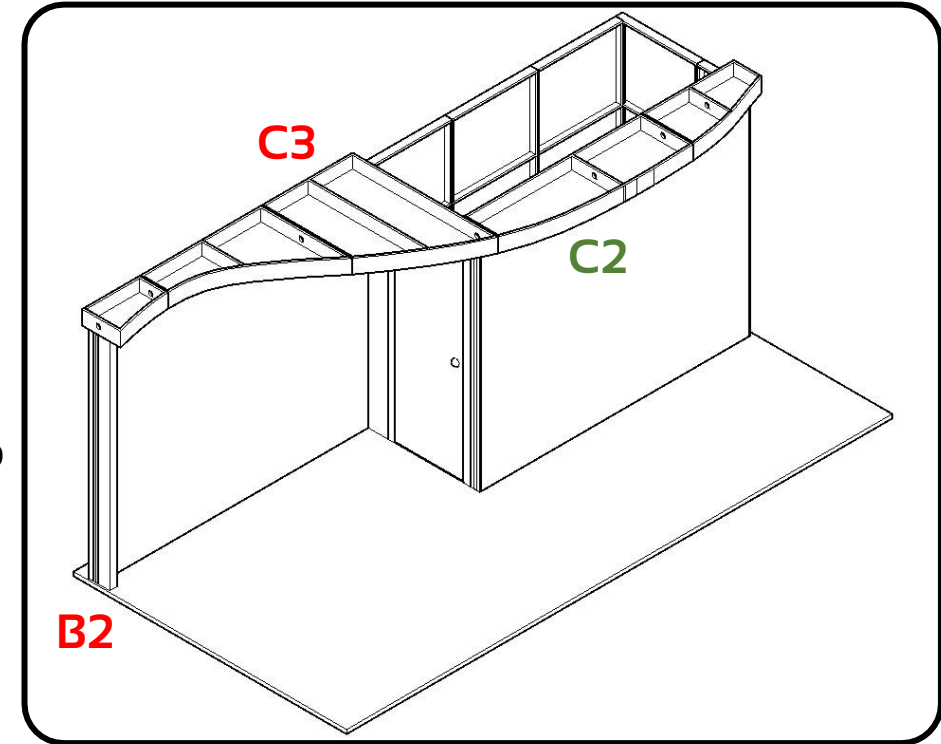
# H&H 10x20 – Set up Instructions – Red Section

On the floor, align the **Red C3** Canopy Panel, the **Red C4** Canopy Panel and the **Red C5** Canopy Panel. Once aligned, bolt together using supplied **1/4-20 hex bolts**.

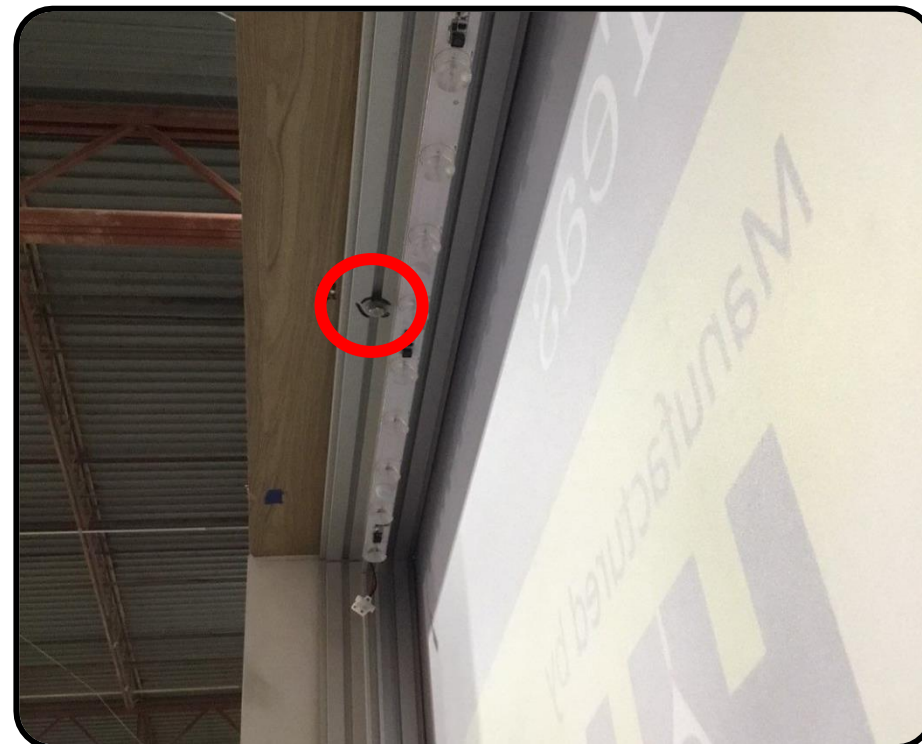


Carefully lift the canopy while supporting with **Red Support Pillar B2**.

Bolt the **Red C3** Canopy Panel into the **Green C2** Canopy Panel.



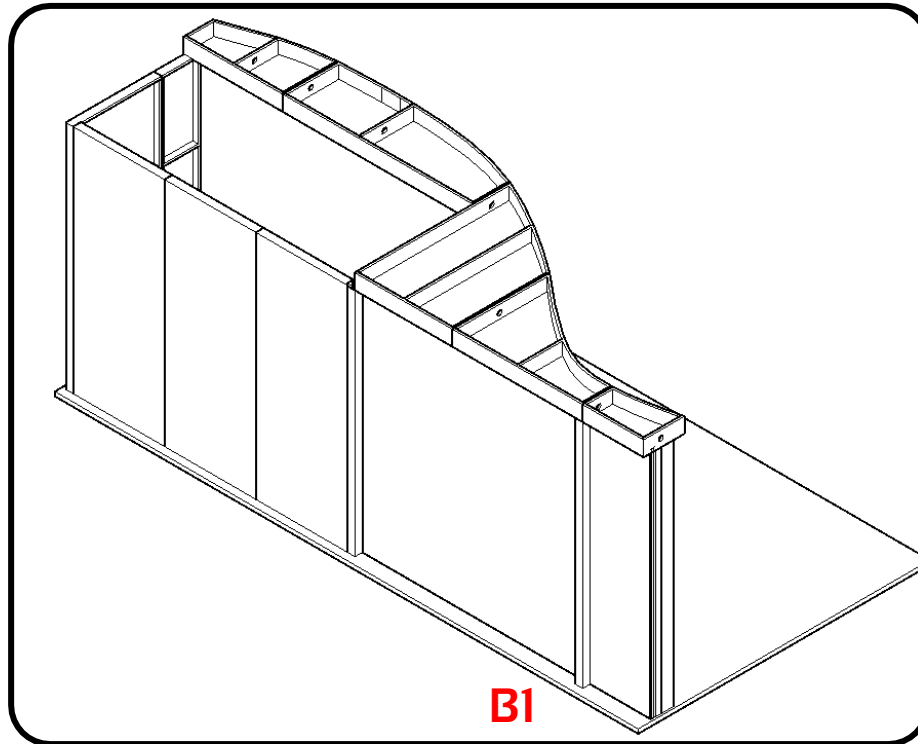
Bolt the SEG Frame into the canopy along the left, middle and right along the top of the frame



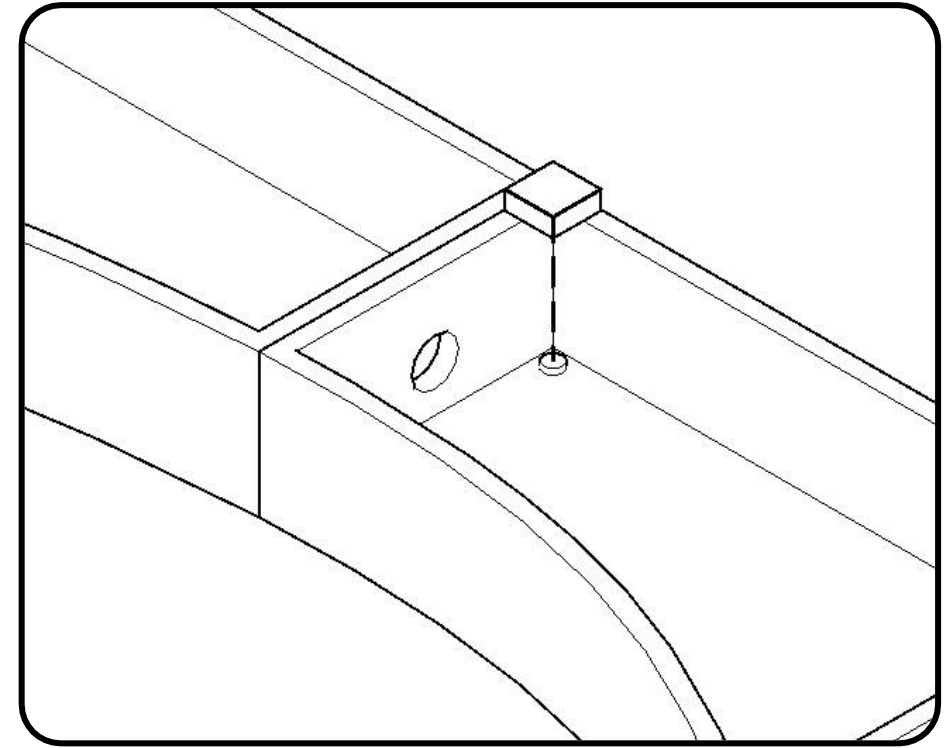
# H&H 10x20 – Set up Instructions – Red Section

Once Frame is in place, apply fabric backer to the SEG Frame.

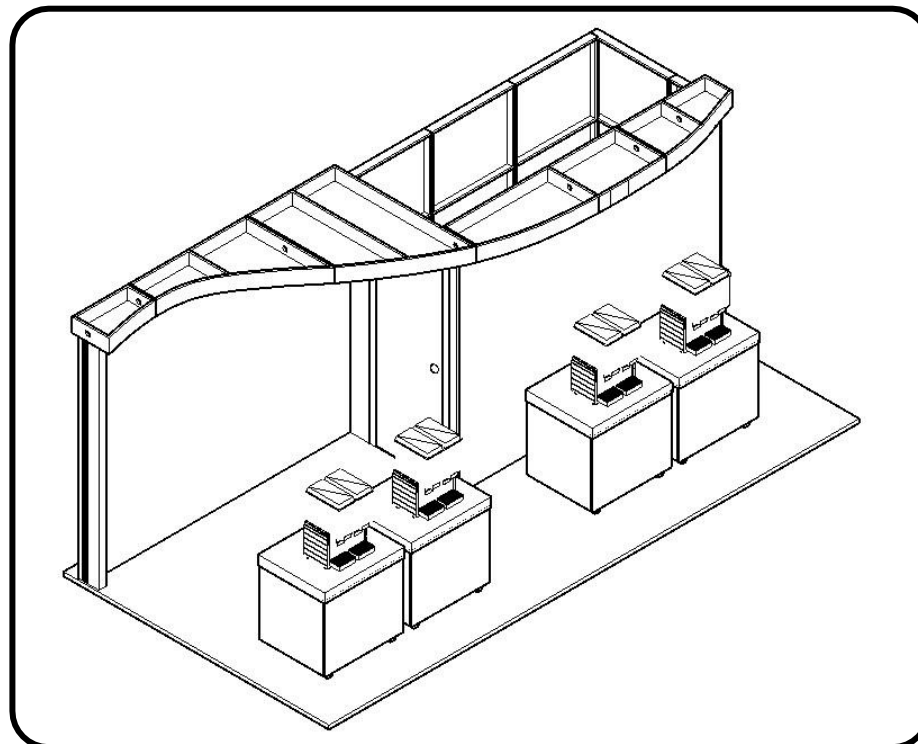
Once **backer** is in place, place the **Red Support Pillar B1** under the canopy via the **dowel** at the top of the support.



Once the Support pillar is in place, connect the Pillar topper to the pillar and canopy via drywall screw

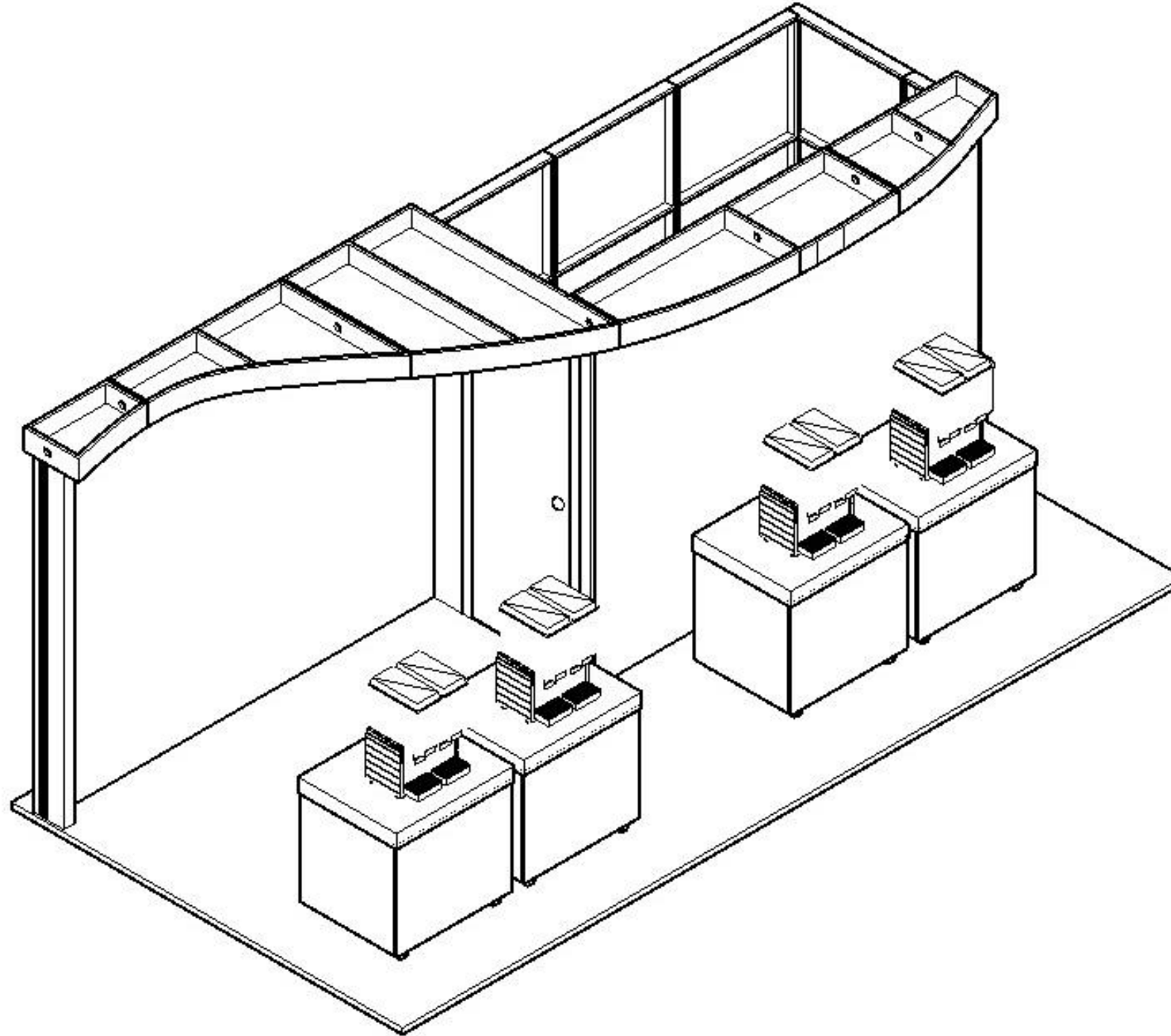


Place Counters and Plug in through the bottom.





## H&H 10x20 – Set up Instructions – Final Touches



**Ensure that everything is powered**  
**Wipe down the booth**  
**Have a great show!**